

FUJI
ELECTRIC

**SPLIT TYPE AIR
CONDITIONER (50Hz)**

DUCT type

**SERVICE
MANUAL**

Models	Indoor unit	Outdoor unit
	RD-30	ROW-30B
	RD-30R	ROW-30RB

CONTENTS

SPECIFICATIONS	1
CIRCUIT DIAGRAM	2
PRINTED CIRCUIT BOARD LAYOUTS	9
REFRIGERANT SYSTEM DIAGRAM	10
DISASSEMBLY ILLUSTRATION	11
PARTS LIST	23

SPECIFICATIONS

INDOOR UNIT		RD-30	RD-30R
OUTDOOR UNIT		ROW-30B	ROW-30RB
COOLING CAPACITY	(kW)	8.60 – 8.80	8.60 – 8.80
HEATING CAPACITY	(kW)	—	8.80 – 9.10

ELECTRICAL SPECIFICATIONS

POWER SUPPLY	(V)	220 - 240		
FREQUENCY	(Hz)	50		
RUNNING CURRENT	(A)	COOLING	15.8 – 16.3	16.0 – 16.5
		HEATING	—	14.1 – 14.6
INPUT	(kW)	COOLING	3.30 – 3.40	3.35 – 3.45
		HEATING	—	2.90 – 3.00
EER	(kW/kW)	COOLING	2.61 – 2.59	2.57 – 2.55
		HEATING	—	3.03 – 3.03
MOISTURE REMOVAL	(l /hr)	4.0	4.0	
AIR CIRCULATION-Hi	(m ³ /hr)	1,650	1,650	

COMPRESSOR

TYPE	Hermetic type, Permanent split condenser, 2 pole, Single phase, Induction motor		
CODE	H23A42QABKA		

FAN MOTOR		RD-30	RD-30R	ROW-30B	ROW-30RB
TYPE		MFA-45BT		MFB-30DF	
POWER SUPPLY	(V)	220 - 240			
HI-SPEED	(r.p.m)	1,240		760	
MED-SPEED	(r.p.m.)	1,140		—	
LO-SPEED	(r.p.m.)	1,040		470	

DIMENSIONS

HEIGHT	(mm)	270	900
WIDTH	(mm)	1,210	900
DEPTH	(mm)	700	350

WEIGHT

GROSS WEIGHT	(kg)	58	96	97
NET WEIGHT	(kg)	43	84	85

REFRIGERANT CHARGING

PIPE LENGTH		5 m (16ft)	10 m (33ft)	15 m (49ft)	20 m (66ft)	25 m (82ft)	30 m (99ft)
FULL CHARGE AMOUNT	RD-30	2,650 g (93.5 oz.)	2,735 g (96.5 oz.)	2,820 g (99.5 oz.)	2,905 g (102.5 oz.)	2,990 g (105.5 oz.)	3,075 g (108.5 oz.)
	RD-30R	2,850 g (100.5 oz.)	3,100 g (109.3 oz.)	3,350 g (118.2 oz.)	3,600 g (127.0 oz.)	3,850 g (135.8 oz.)	/

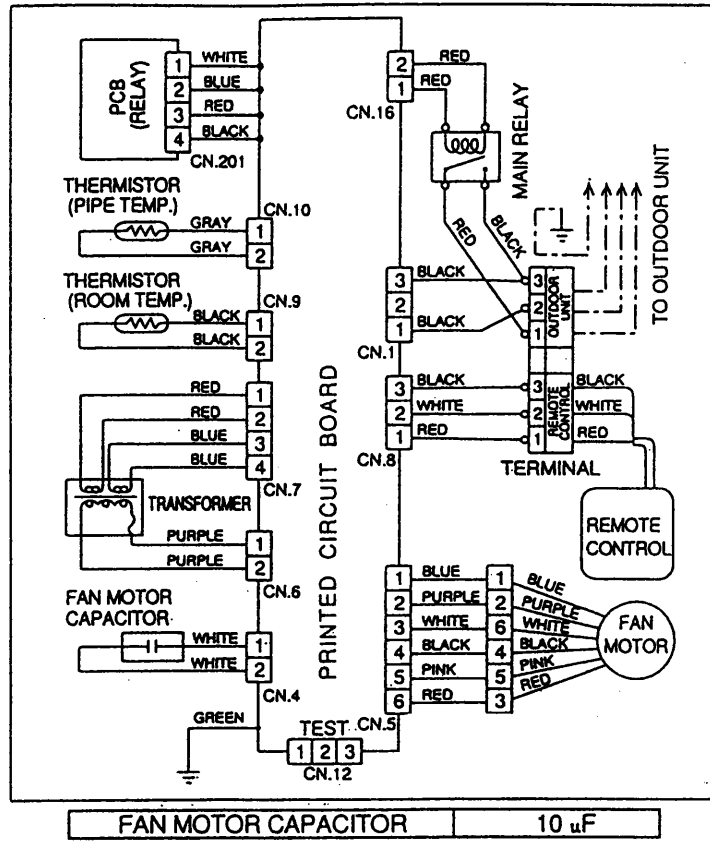
Note: • Between 5 m and 30 m, when using a connection pipe other than that in the table, charge additional refrigerant with 17 g (0.60 oz.) / 1 m (3.3 ft) for RD-30, 50 g (1.76 oz.) / 1 m (3.3ft) for RD-30R as the criteria.

• The above list shows values at the external static pressure of 12 mm Aq. (118 Pa).

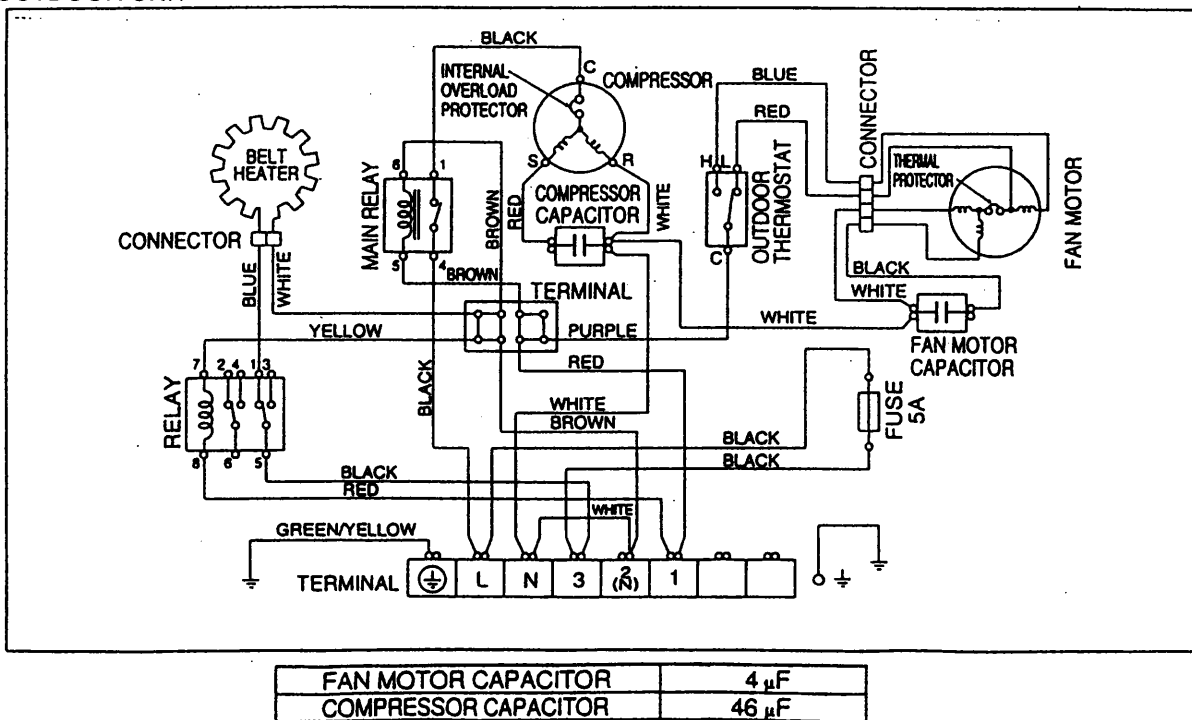
CIRCUIT DIAGRAM

Models: RD-30/ROW-30B

INDOOR UNIT

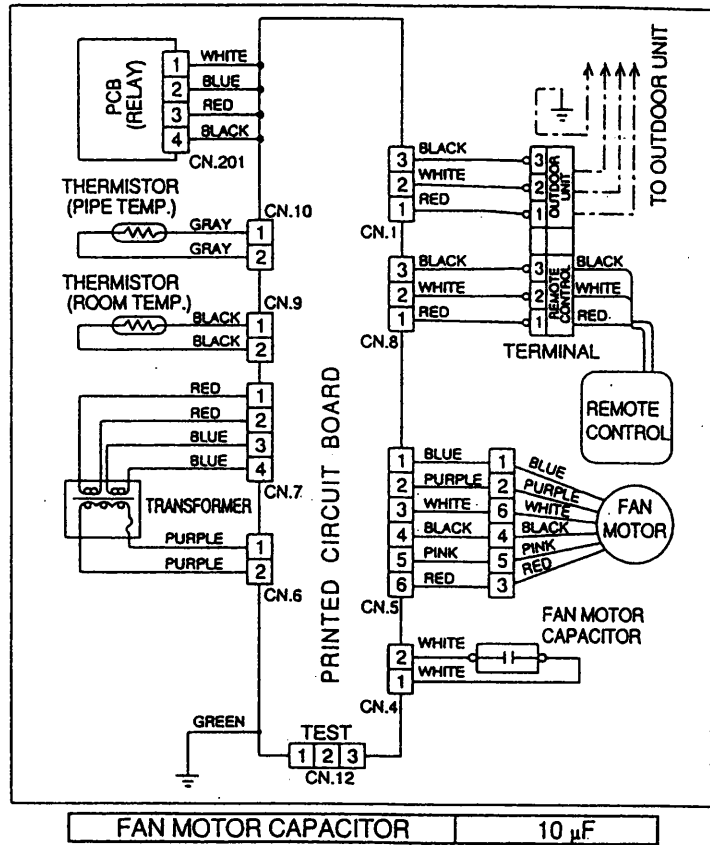


OUTDOOR UNIT

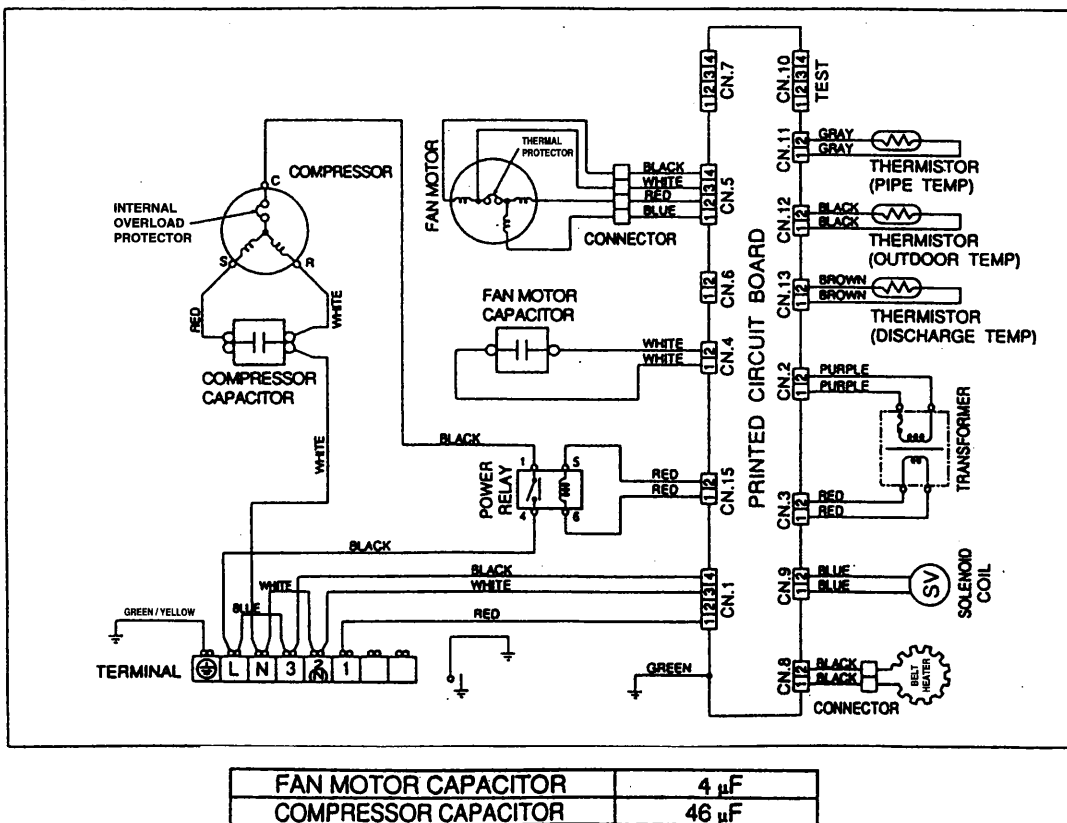


Models: RD-30R/ROW-30RB

INDOOR UNIT

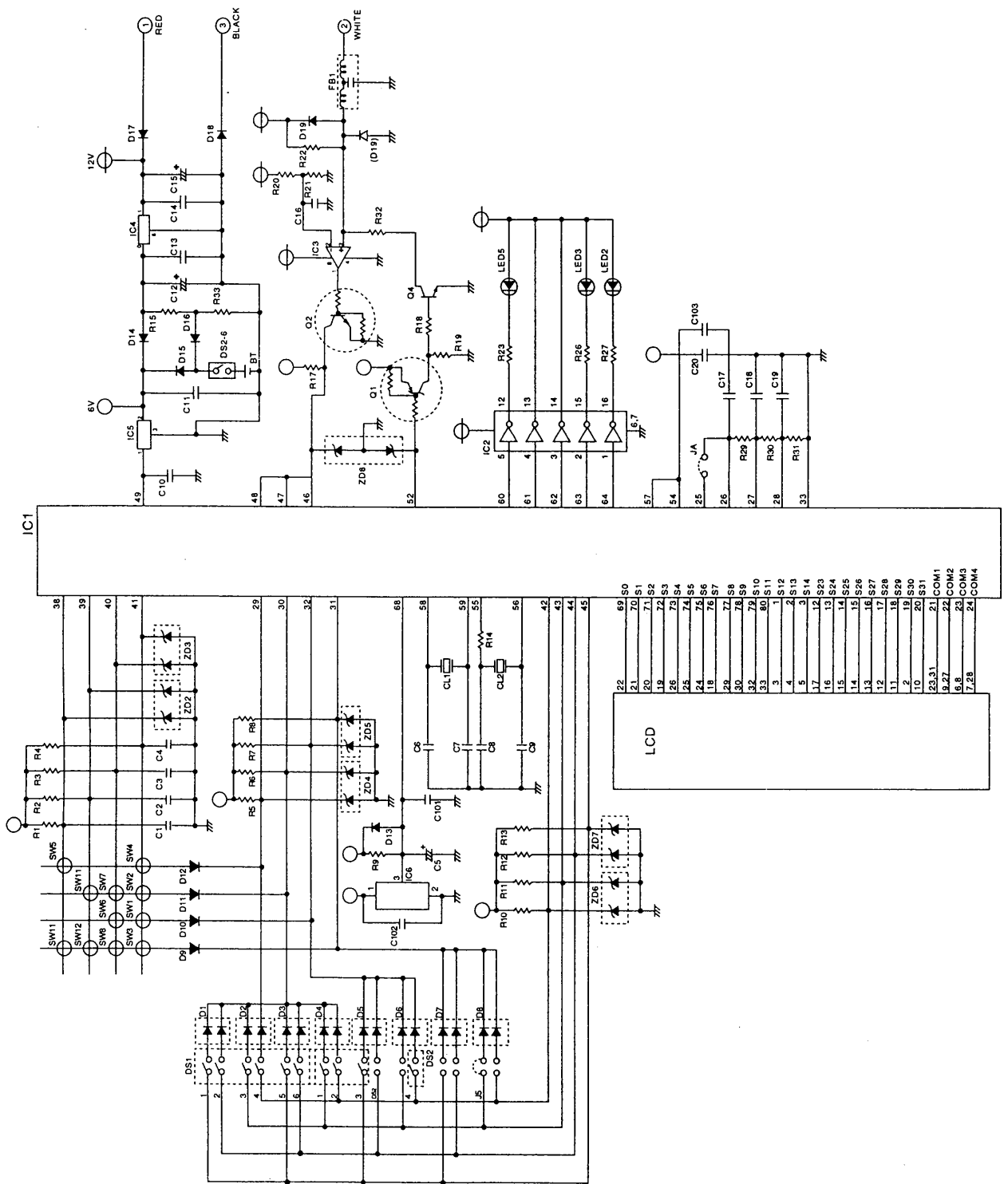


OUTDOOR UNIT

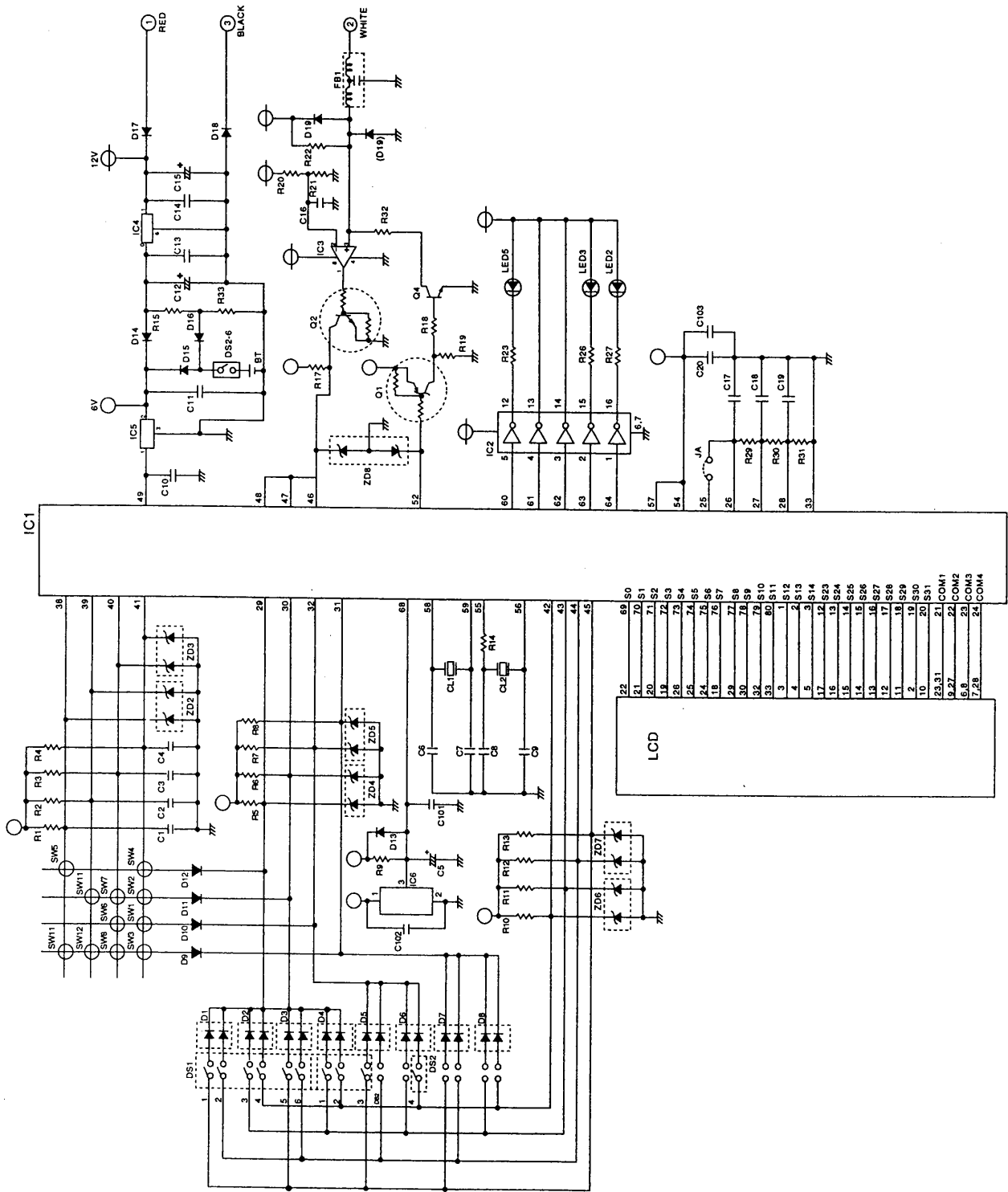


REMOTE CONTROLLER CIRCUIT DIAGRAM

Model: RD-30

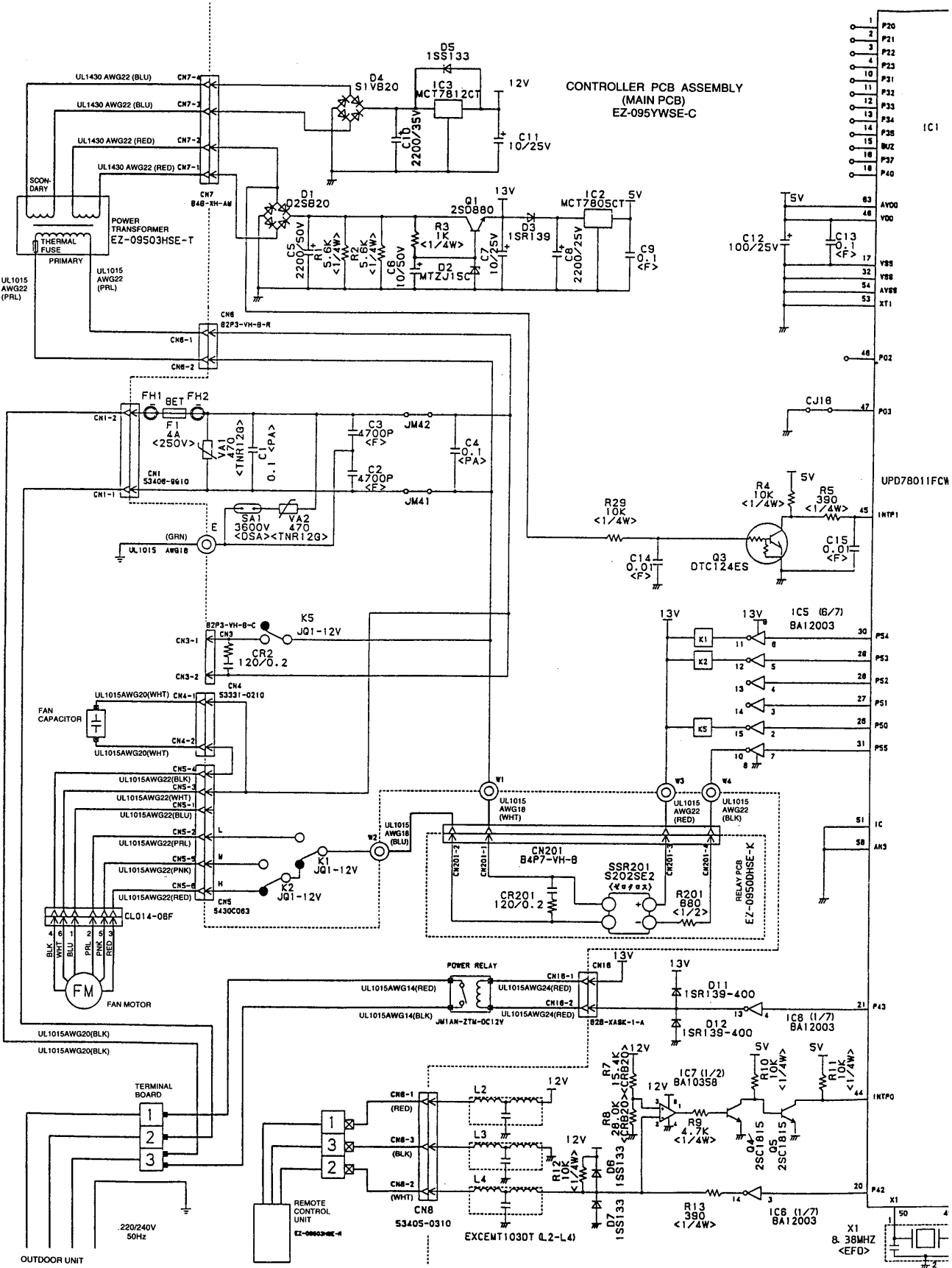


Model: RD-30R

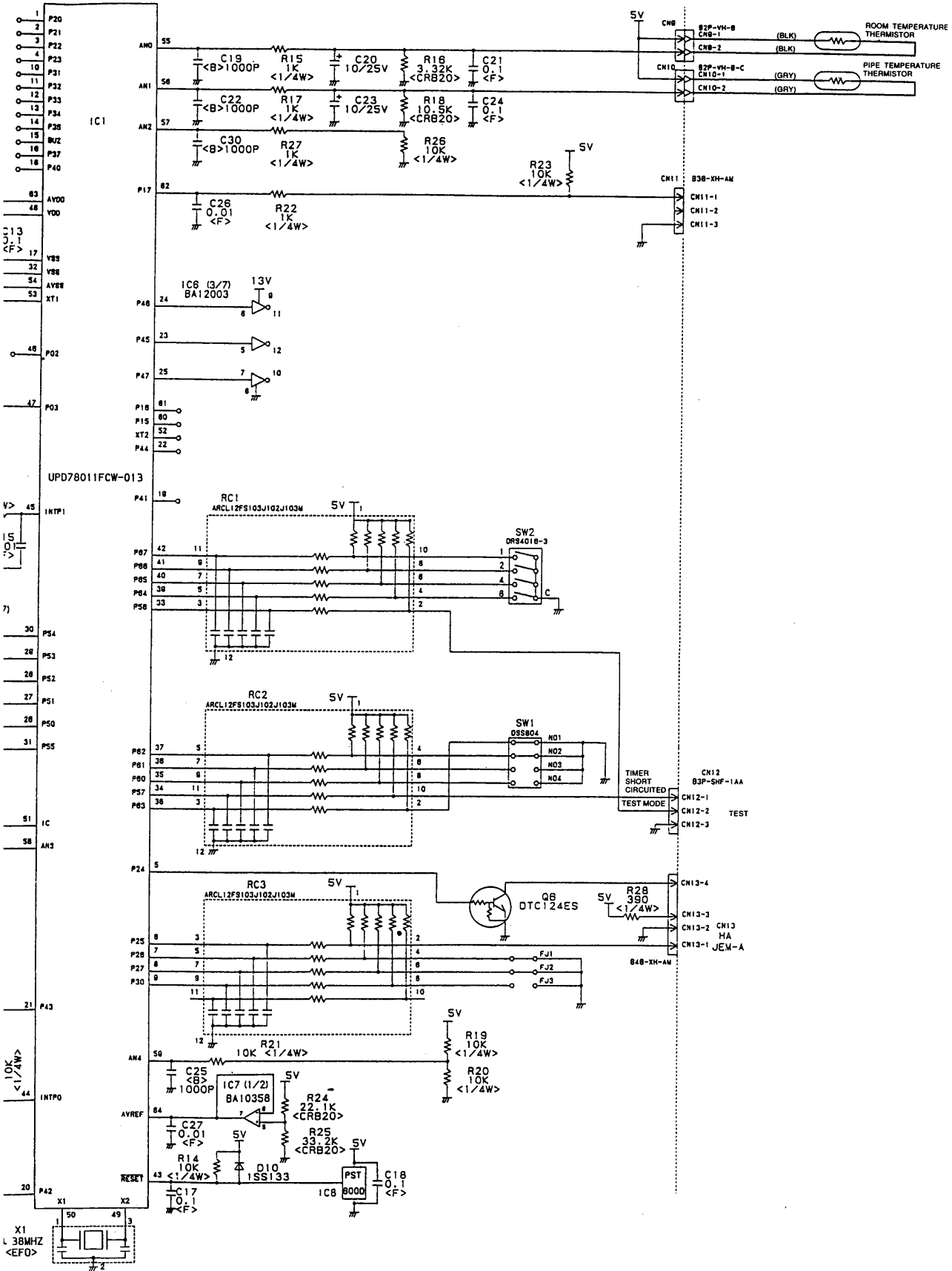


INDOOR PRINTED CIB CIRCUIT DIAC

Model: RD-30

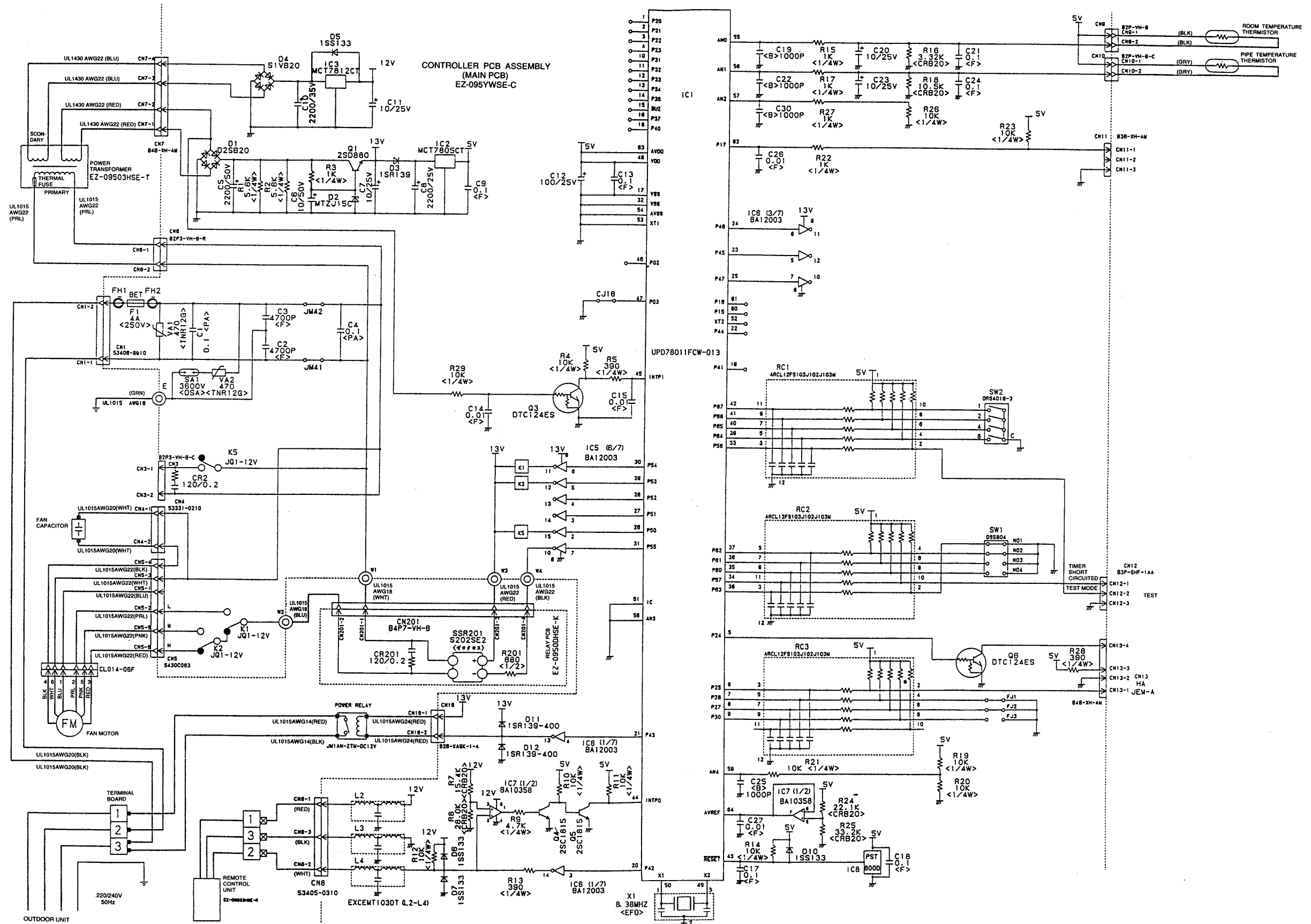


TESTED CIRCUIT BOARD WIRING DIAGRAM

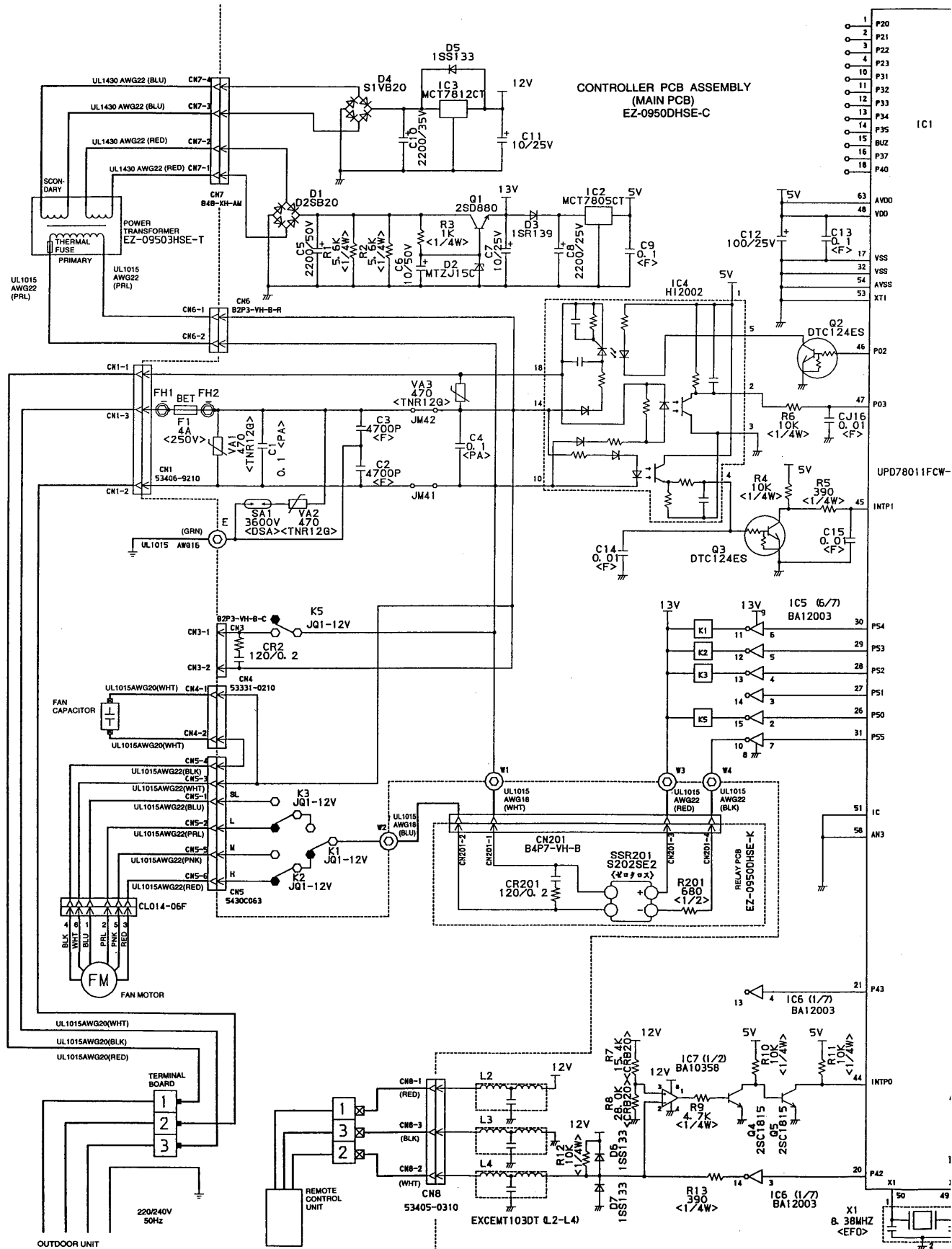


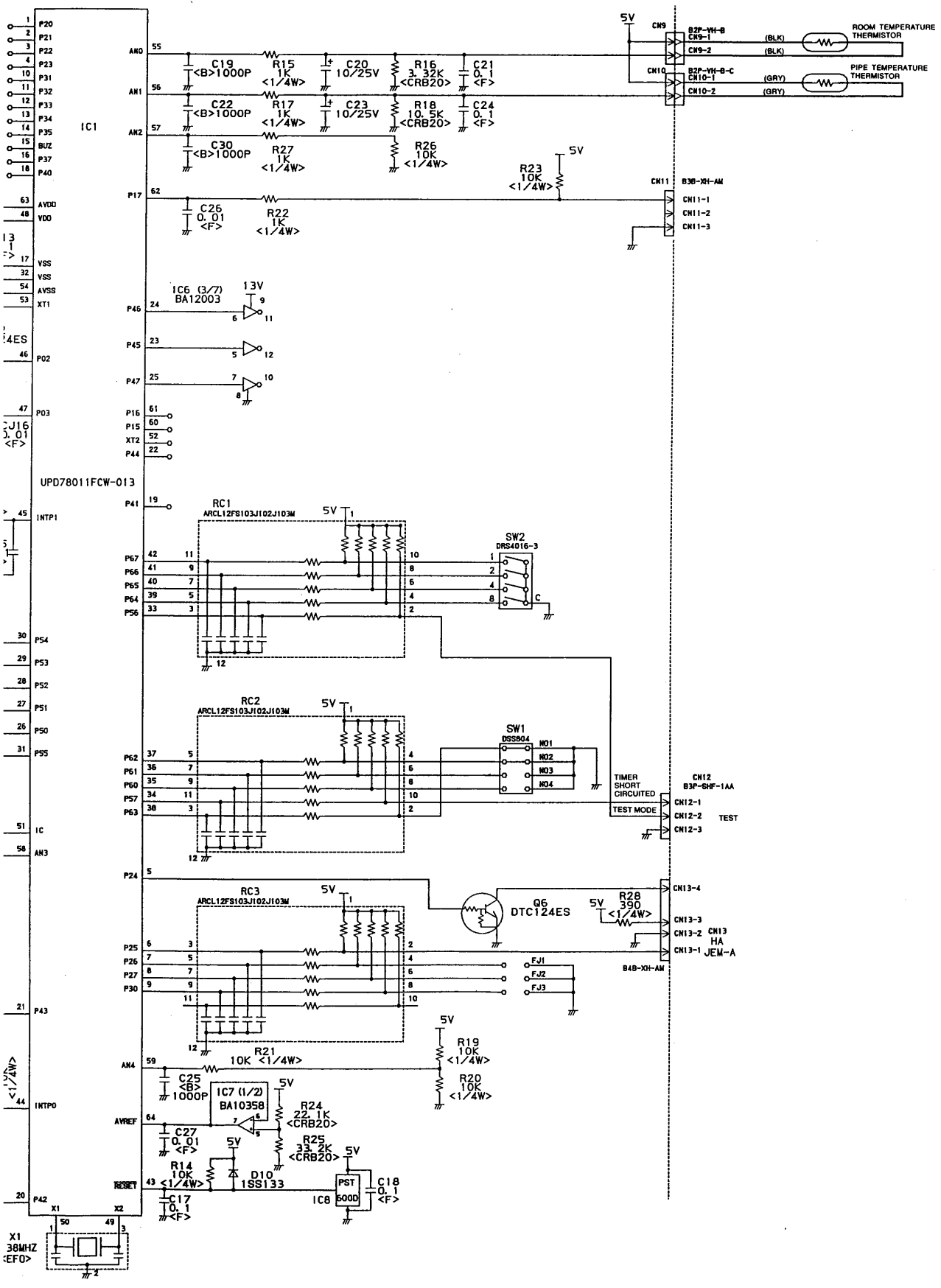
INDOOR PRINTED CIRCUIT BOARD CIRCUIT DIAGRAM

Model: RD-30

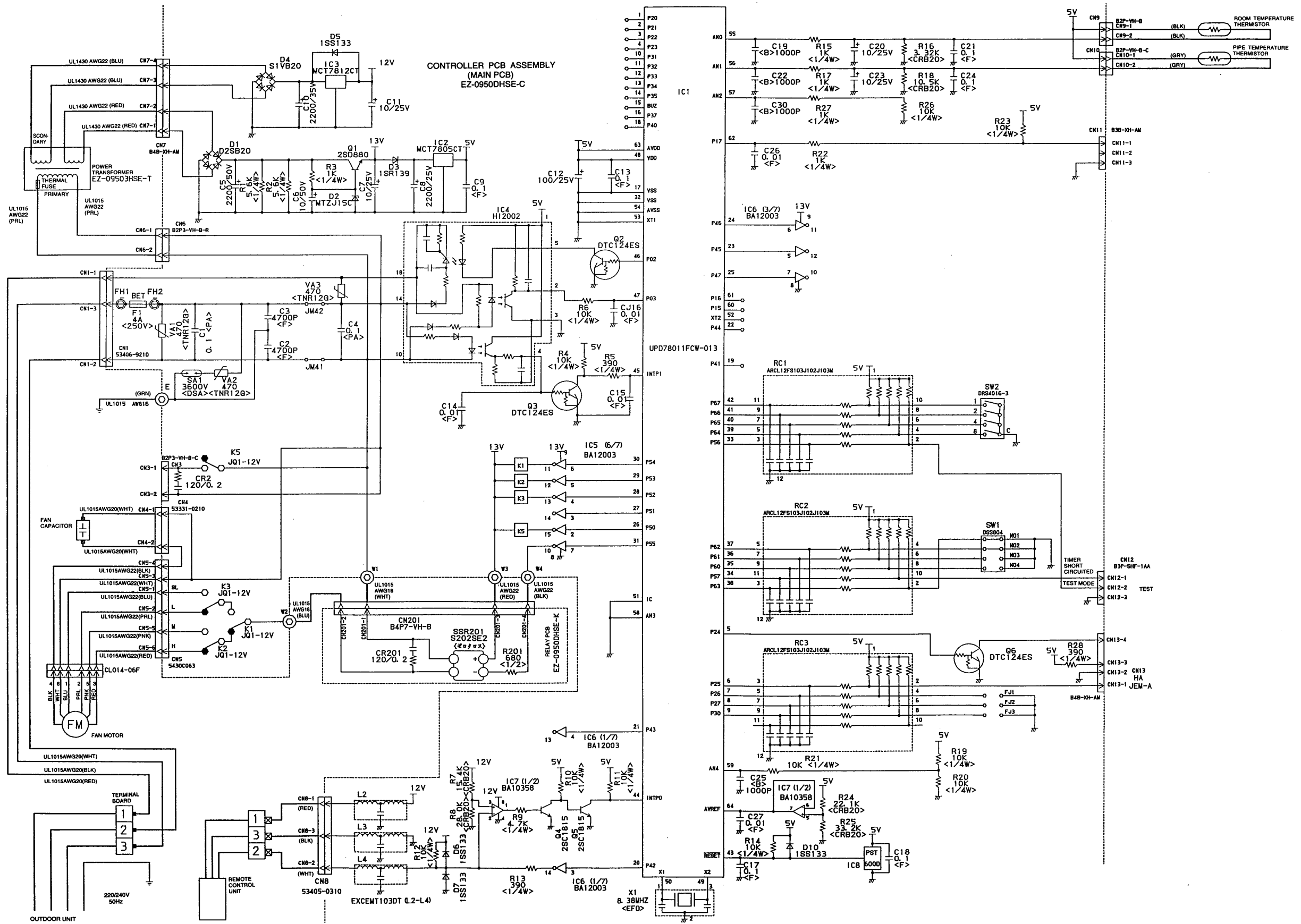


Model: RD-30R

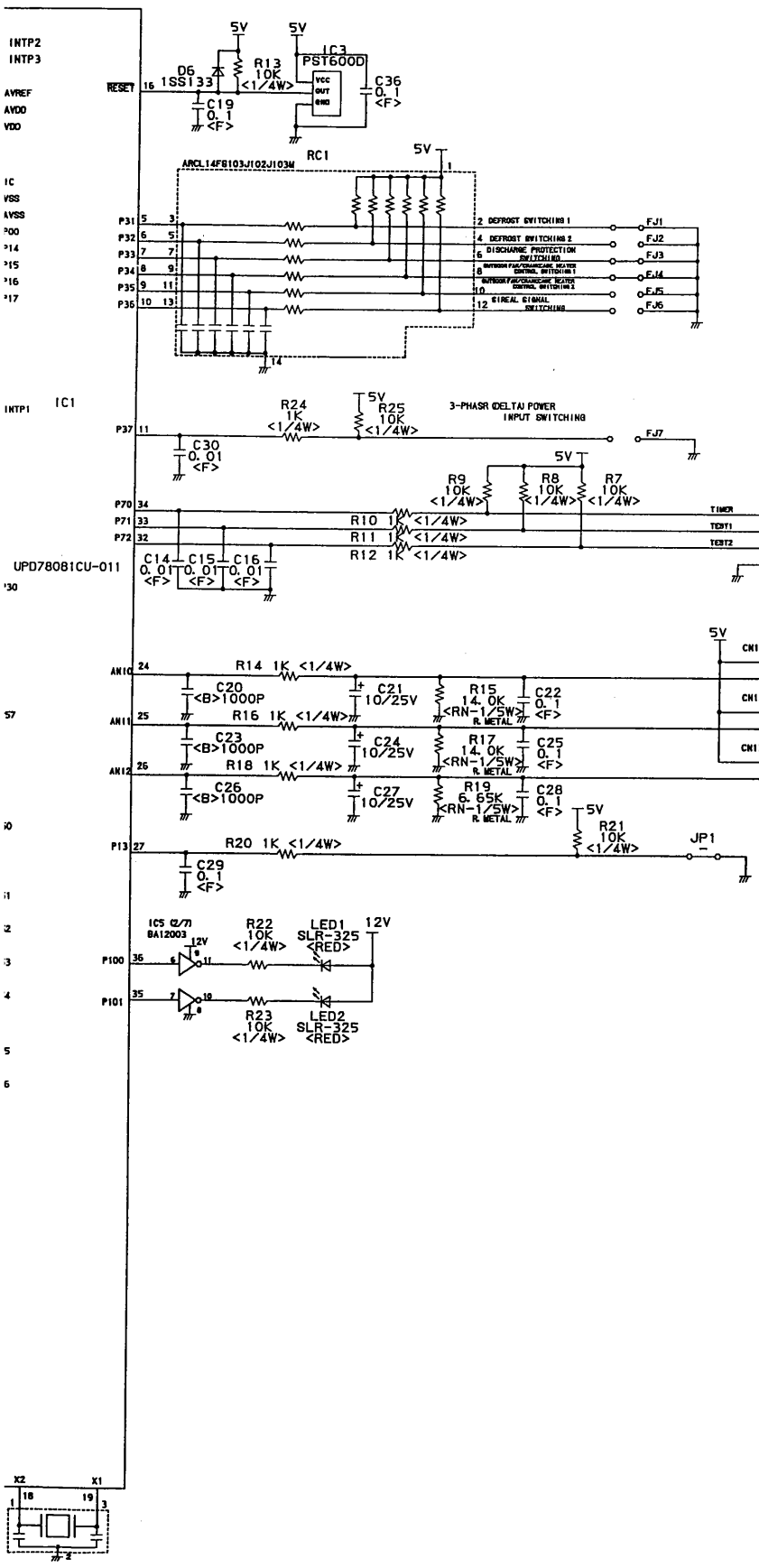




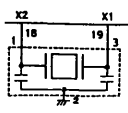
Model: RD-30R



NTED CIRCUIT BOARD JIT DIAGRAM

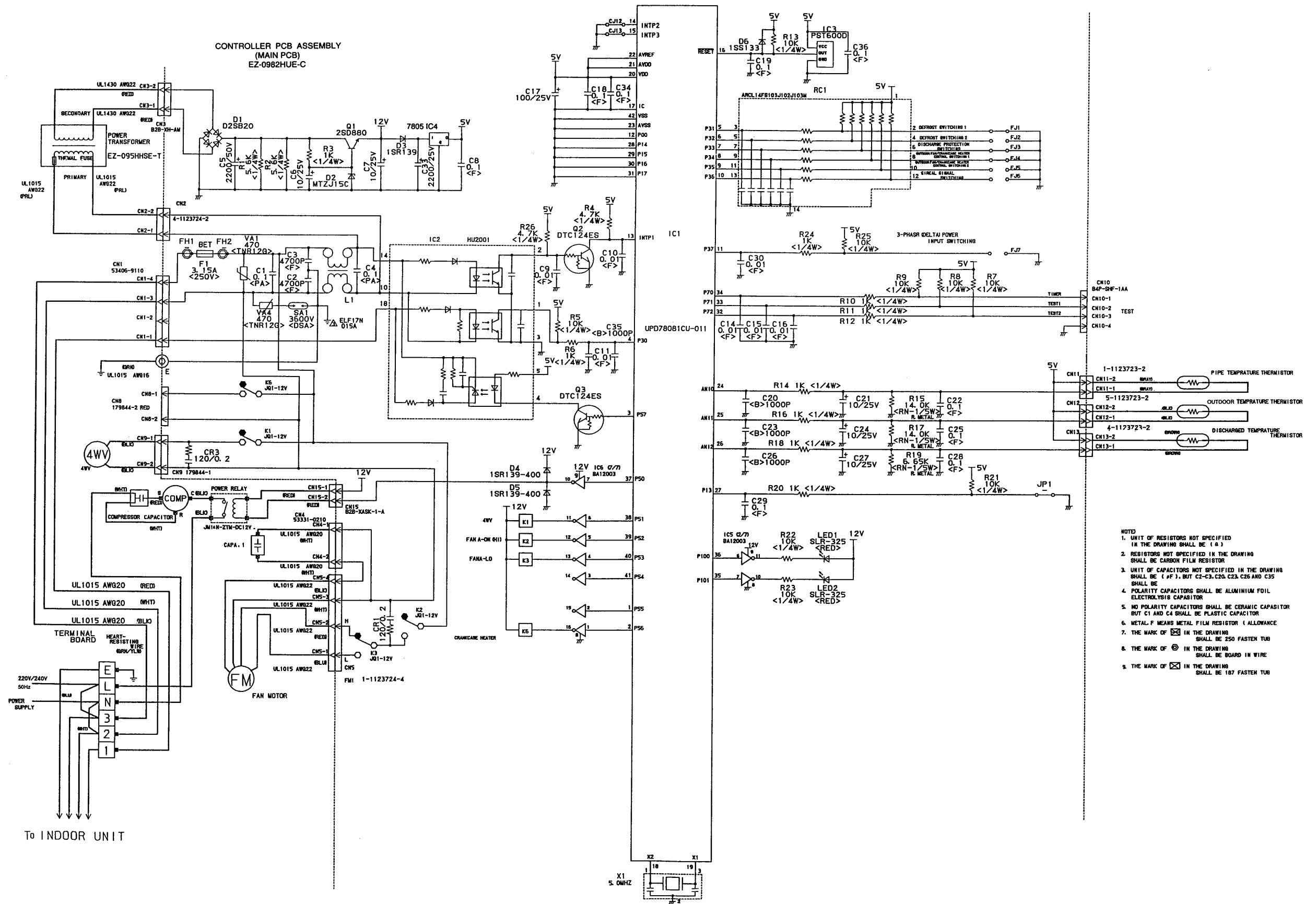


- NOTED
1. UNIT OF RESISTORS NOT SPECIFIED IN THE DRAWING SHALL BE (Ω)
 2. RESISTORS NOT SPECIFIED IN THE DRAWING SHALL BE CARBON FILM RESISTOR
 3. UNIT OF CAPACITORS NOT SPECIFIED IN THE DRAWING SHALL BE (μF), BUT C2-C3, C20, C23, C26 AND C35 SHALL BE
 4. POLARITY CAPACITORS SHALL BE ALUMINIUM FOIL ELECTROLYSIS CAPASITOR
 5. NO POLARITY CAPACITORS SHALL BE CERAMIC CAPASITOR BUT C1 AND C4 SHALL BE PLASTIC CAPACITOR
 6. METAL F MEANS METAL FILM RESISTOR (ALLOWANCE
 7. THE MARK OF ⊞ IN THE DRAWING SHALL BE 250 FASTEN TUB
 8. THE MARK OF ⊙ IN THE DRAWING SHALL BE BOARD IN WIRE
 9. THE MARK OF ⊠ IN THE DRAWING SHALL BE 187 FASTEN TUB



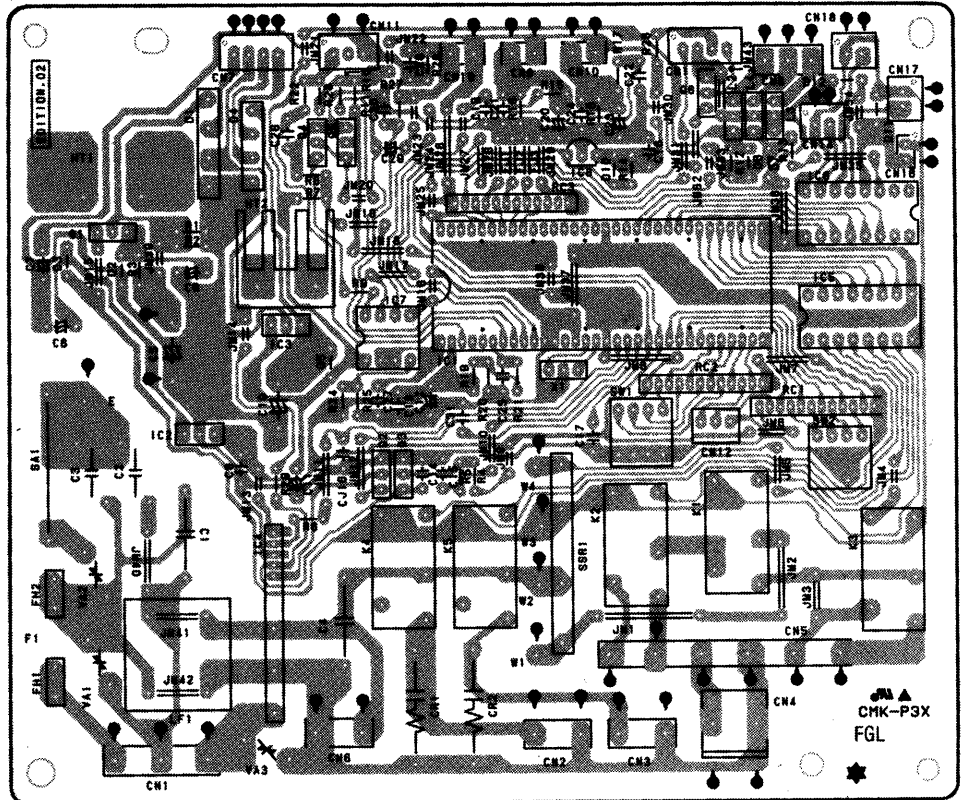
OUTDOOR PRINTED CIRCUIT BOARD CIRCUIT DIAGRAM

Model: ROW-30RB

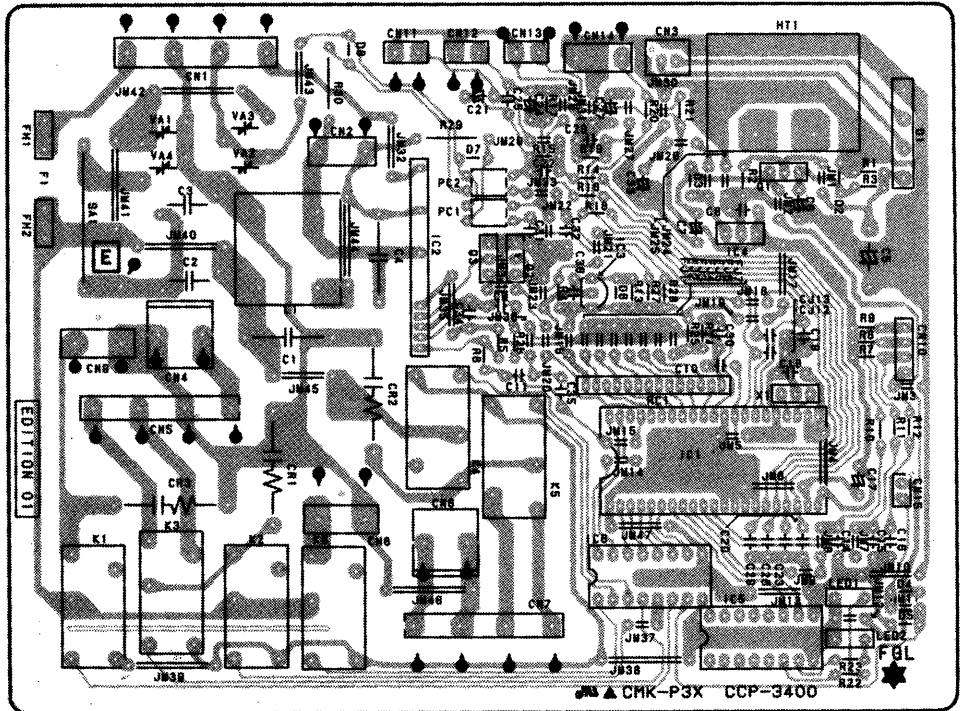


PRINTED CIRCUIT BOARD LAYOUTS

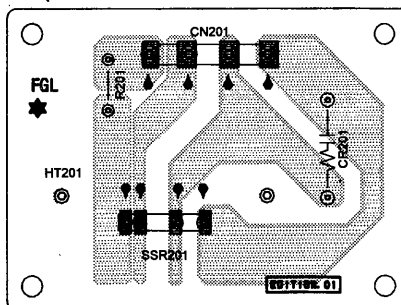
INDOOR UNIT (Viewed from the solder side)



OUTDOOR UNIT (Viewed from the solder side)

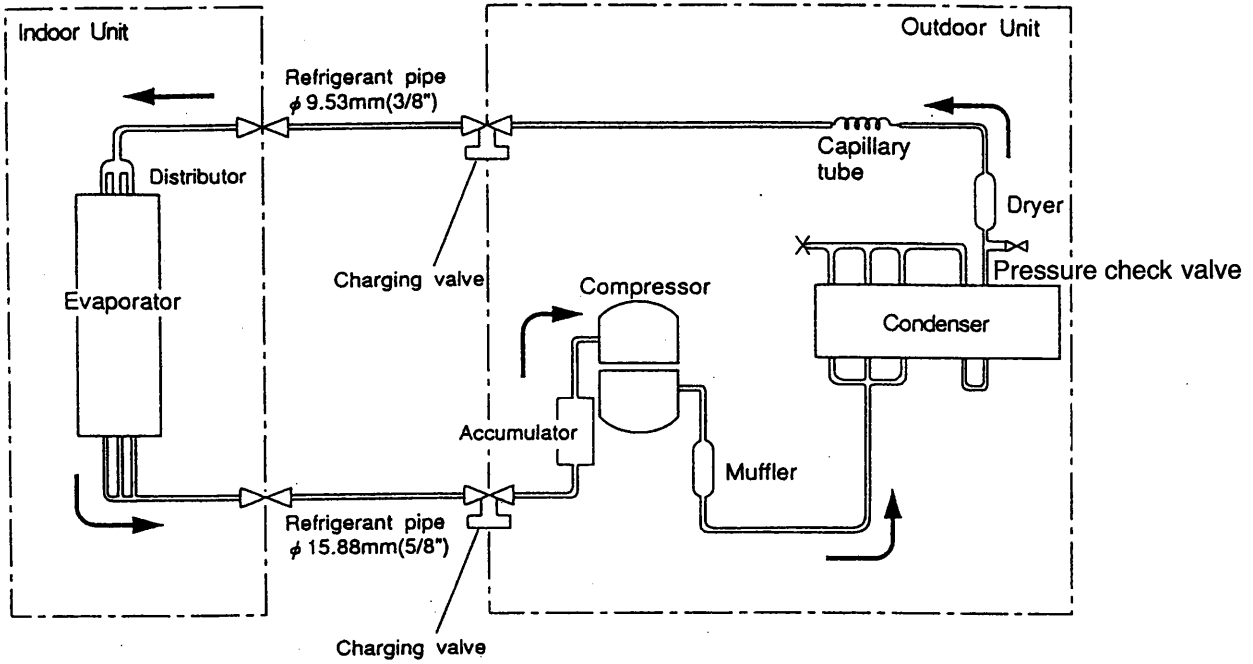


RELAY PCB ASSEMBLY (View from the solder side)

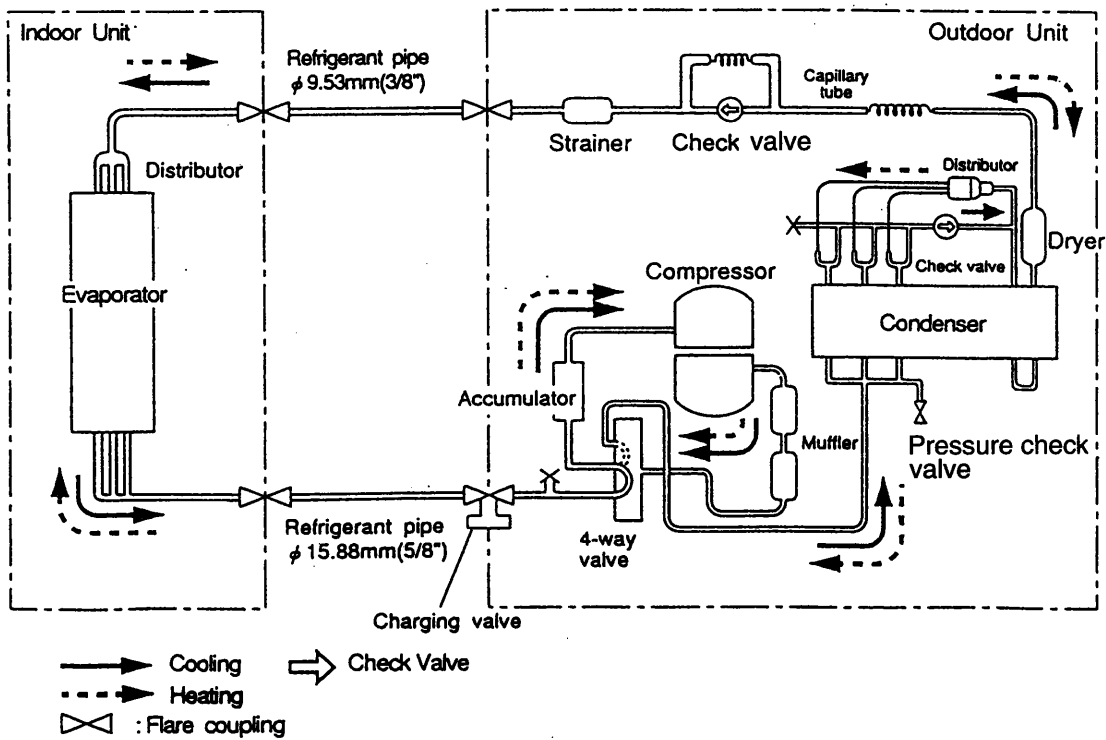


REFRIGERANT SYSTEM DIAGRAM

Models: RD-30/ROW-30B

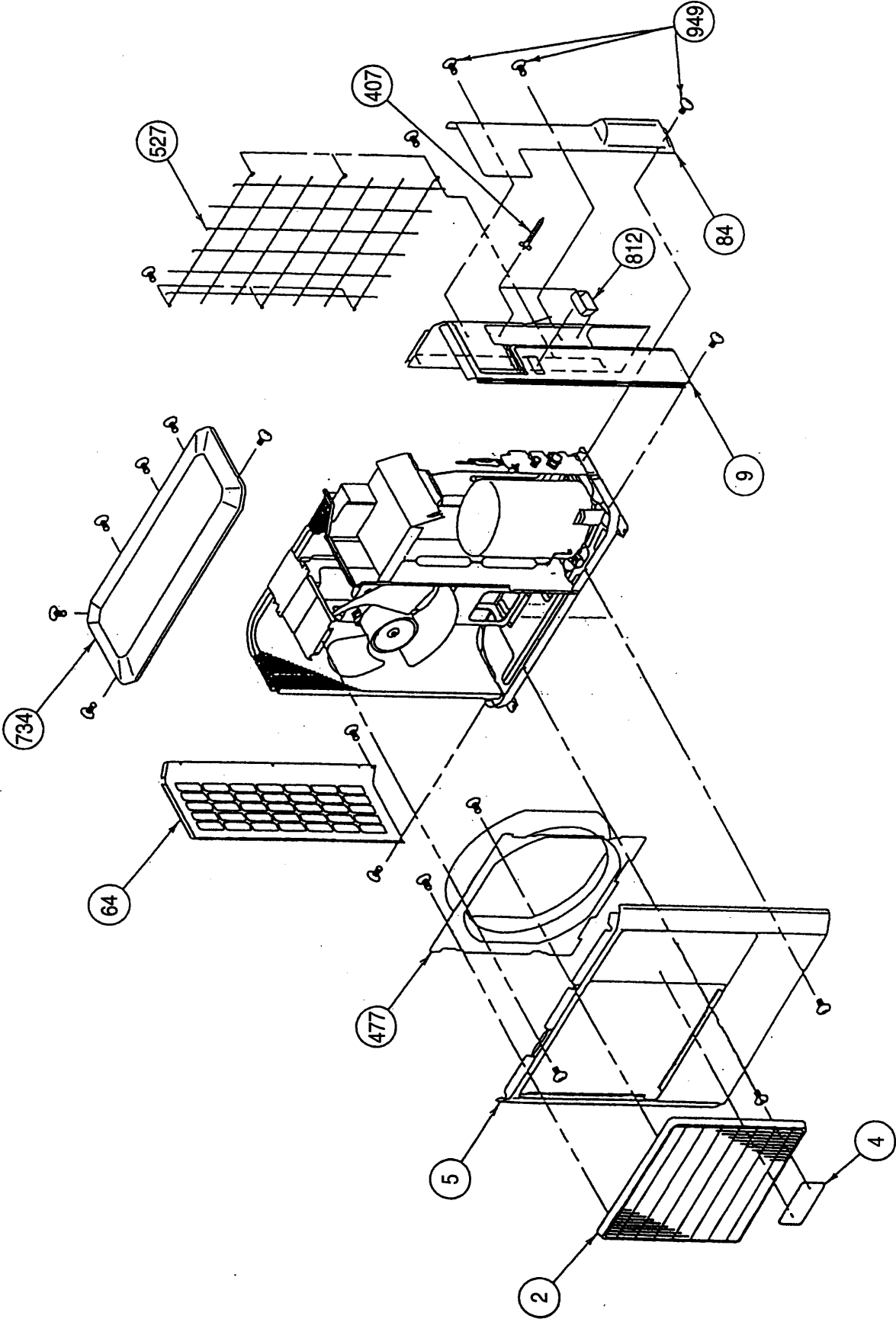


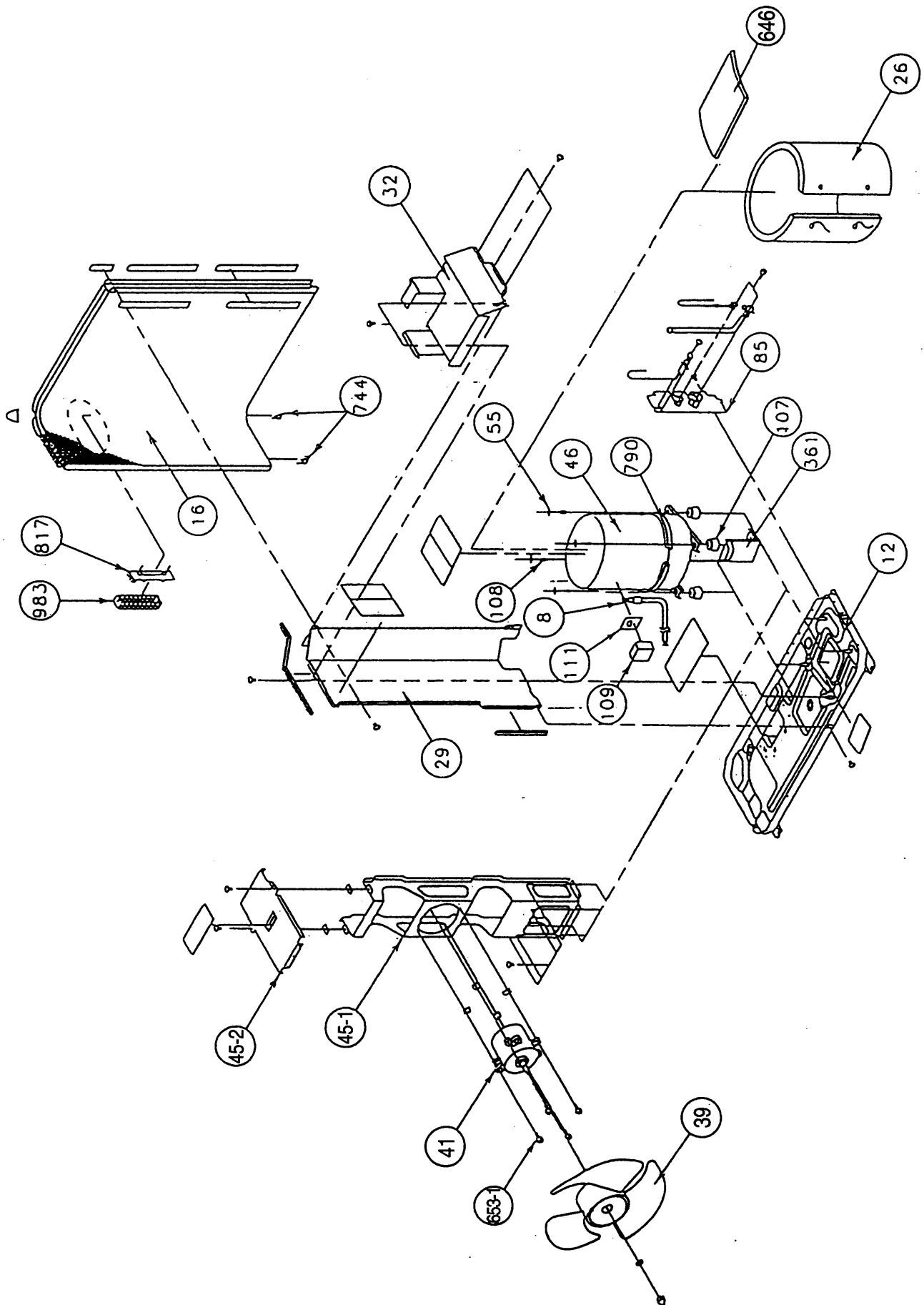
Models: RD-30R/ROW-30RB

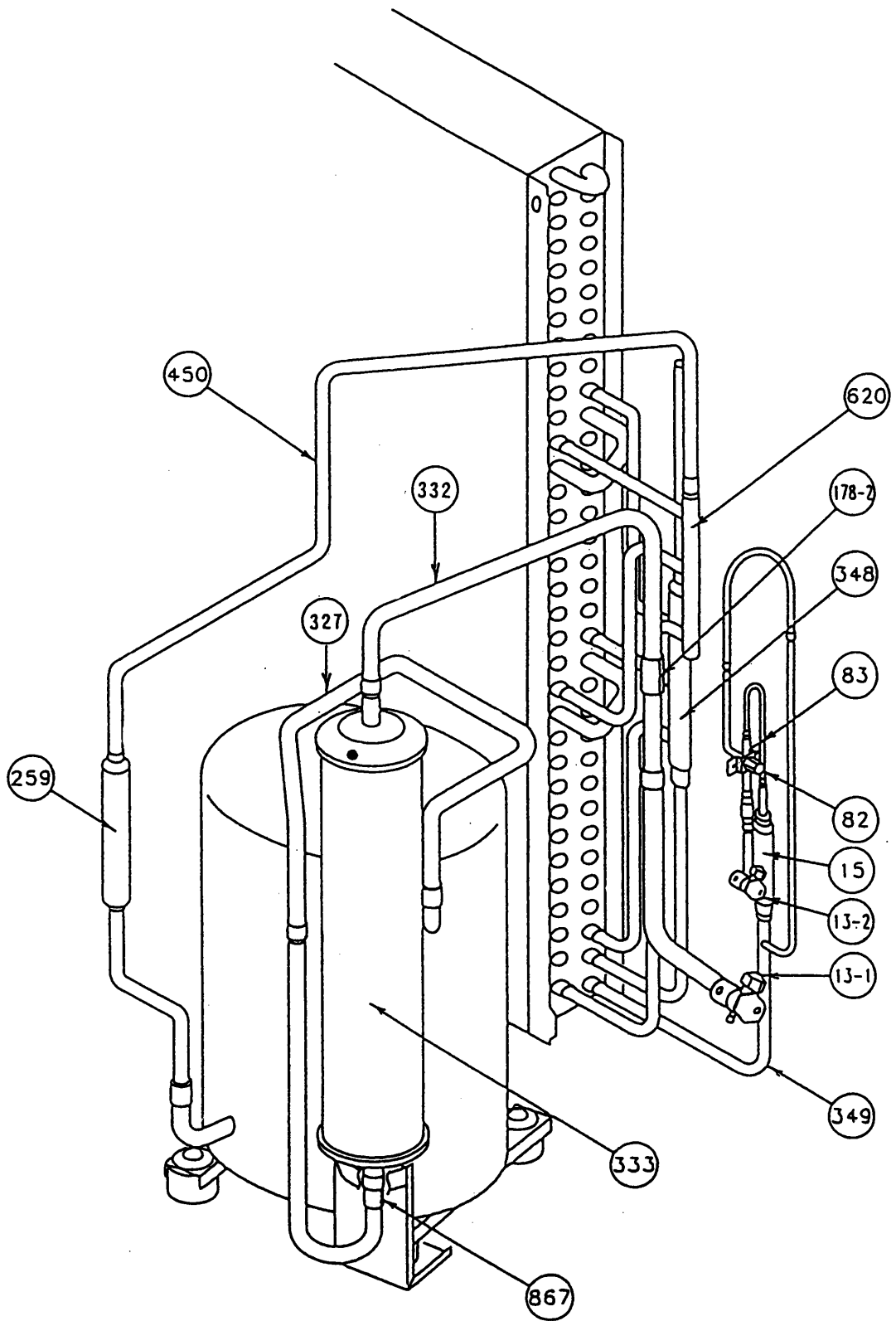


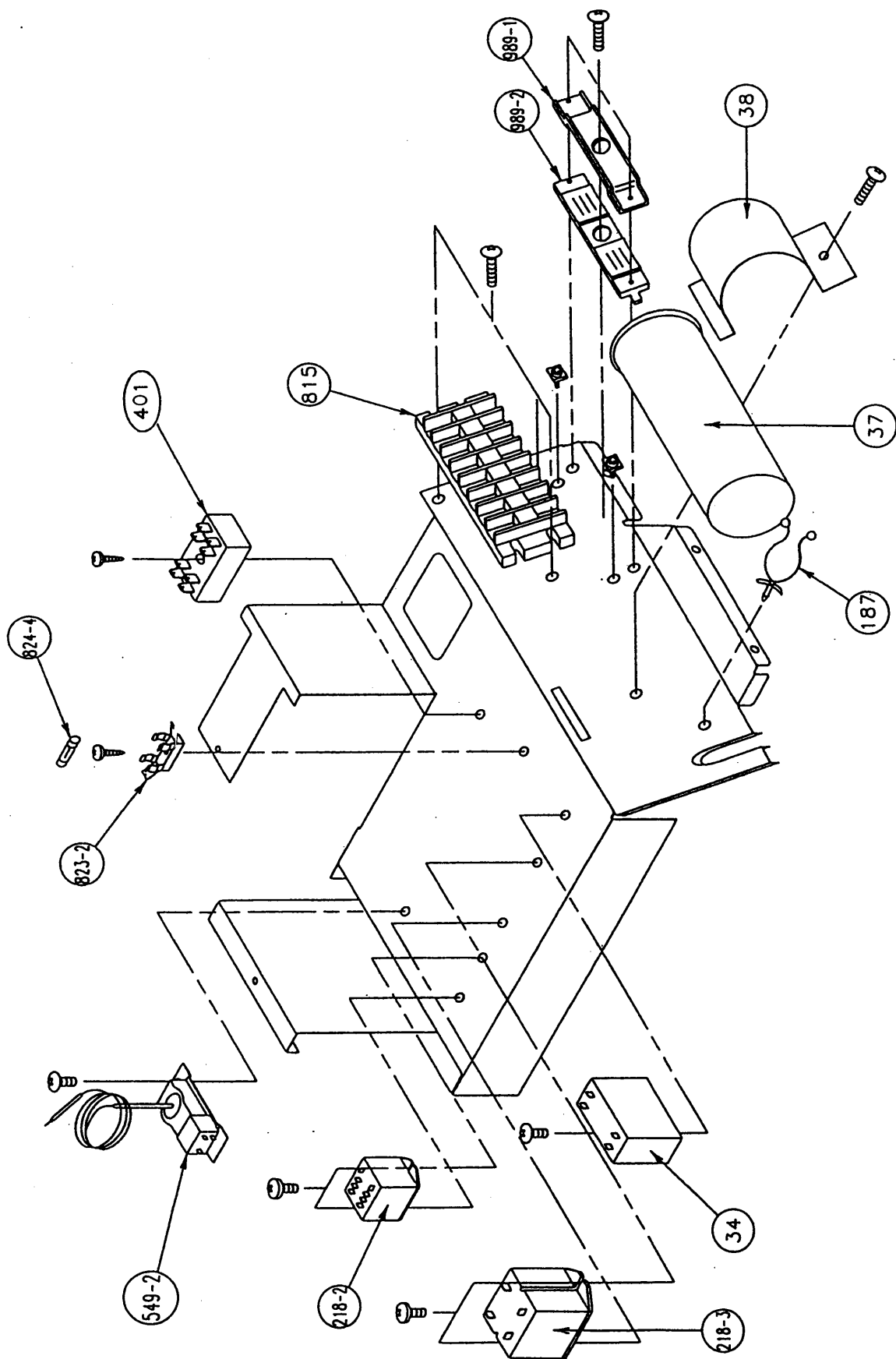
DISASSEMBLY ILLUSTRATION

Model: ROW-30B

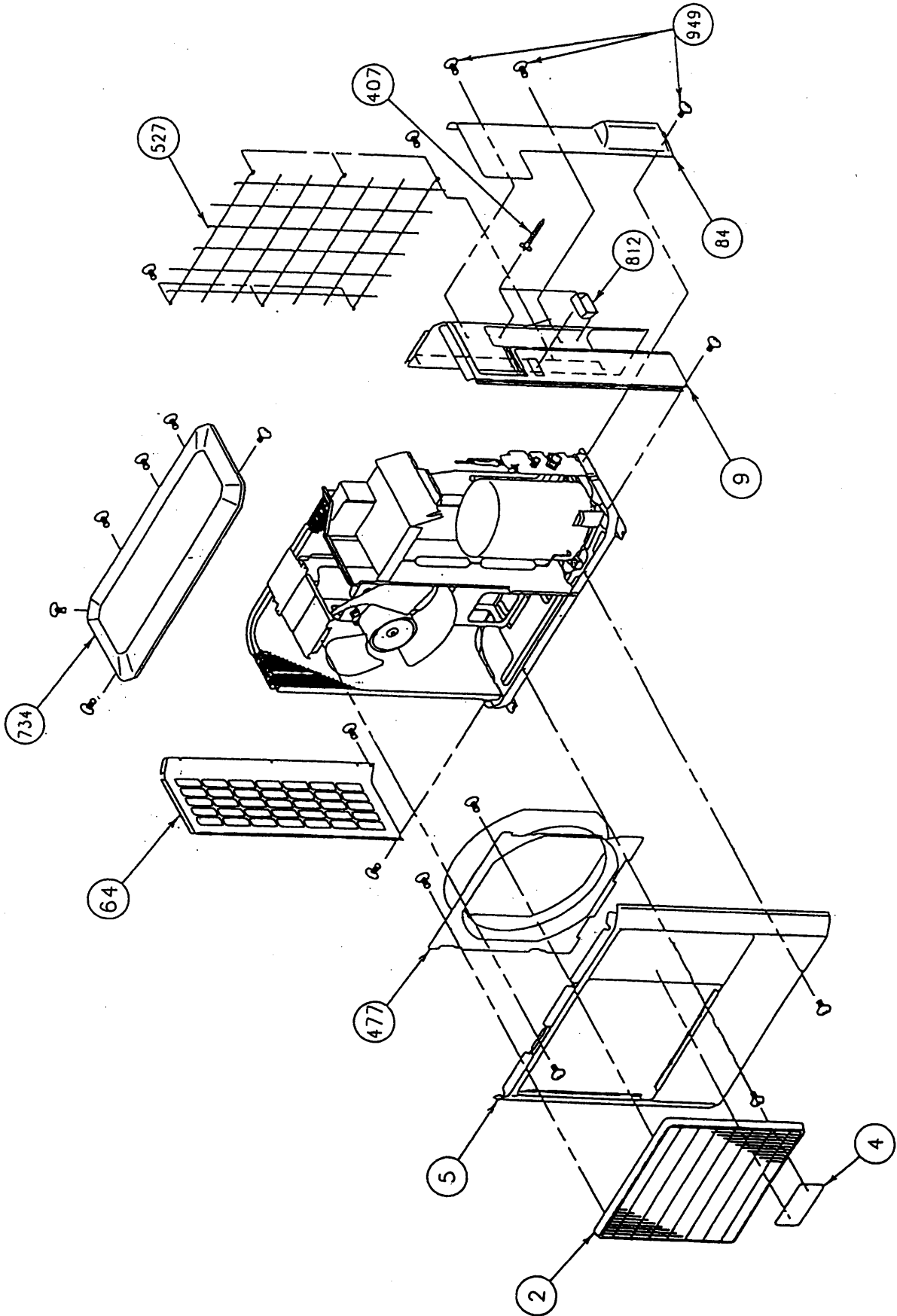


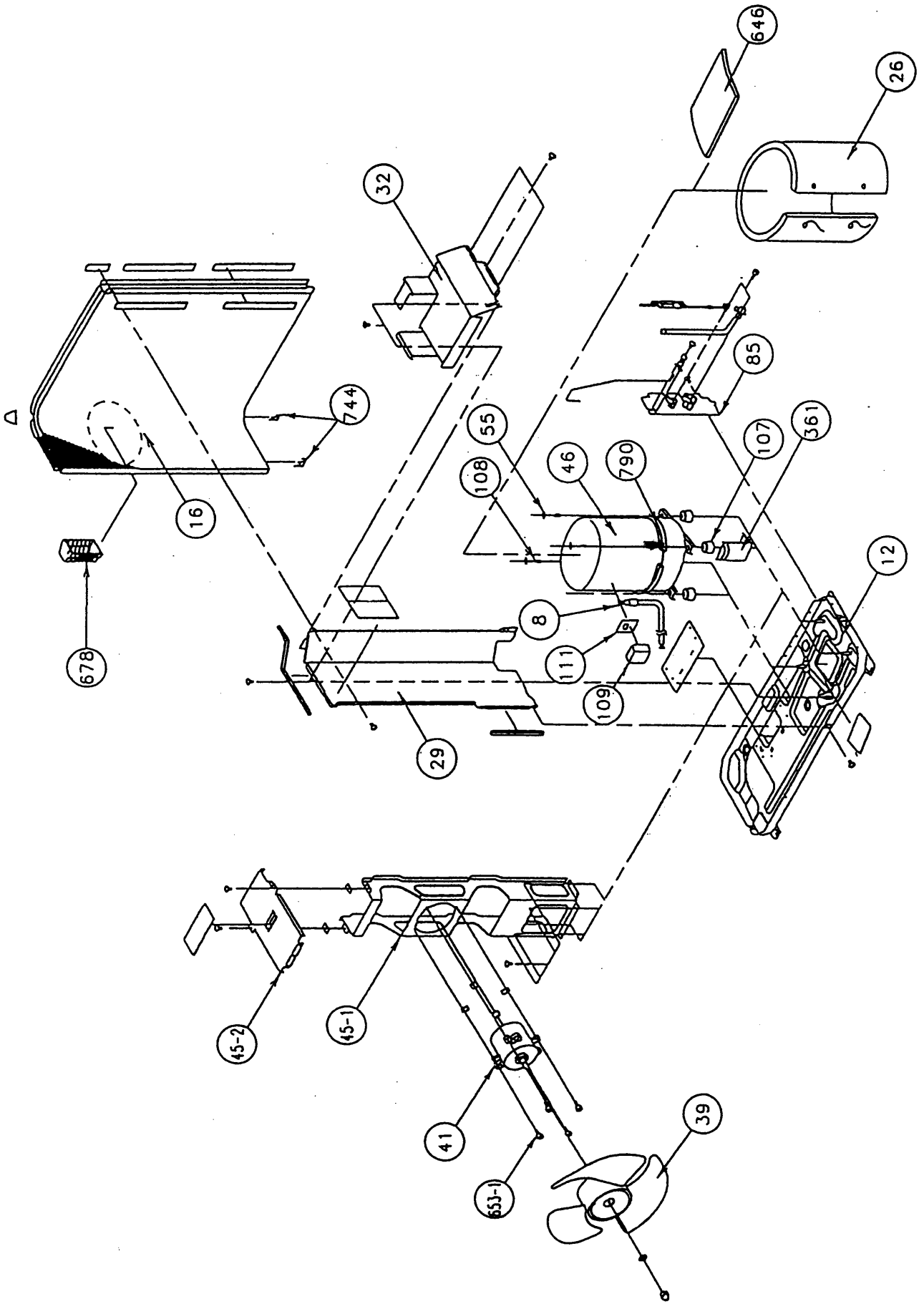


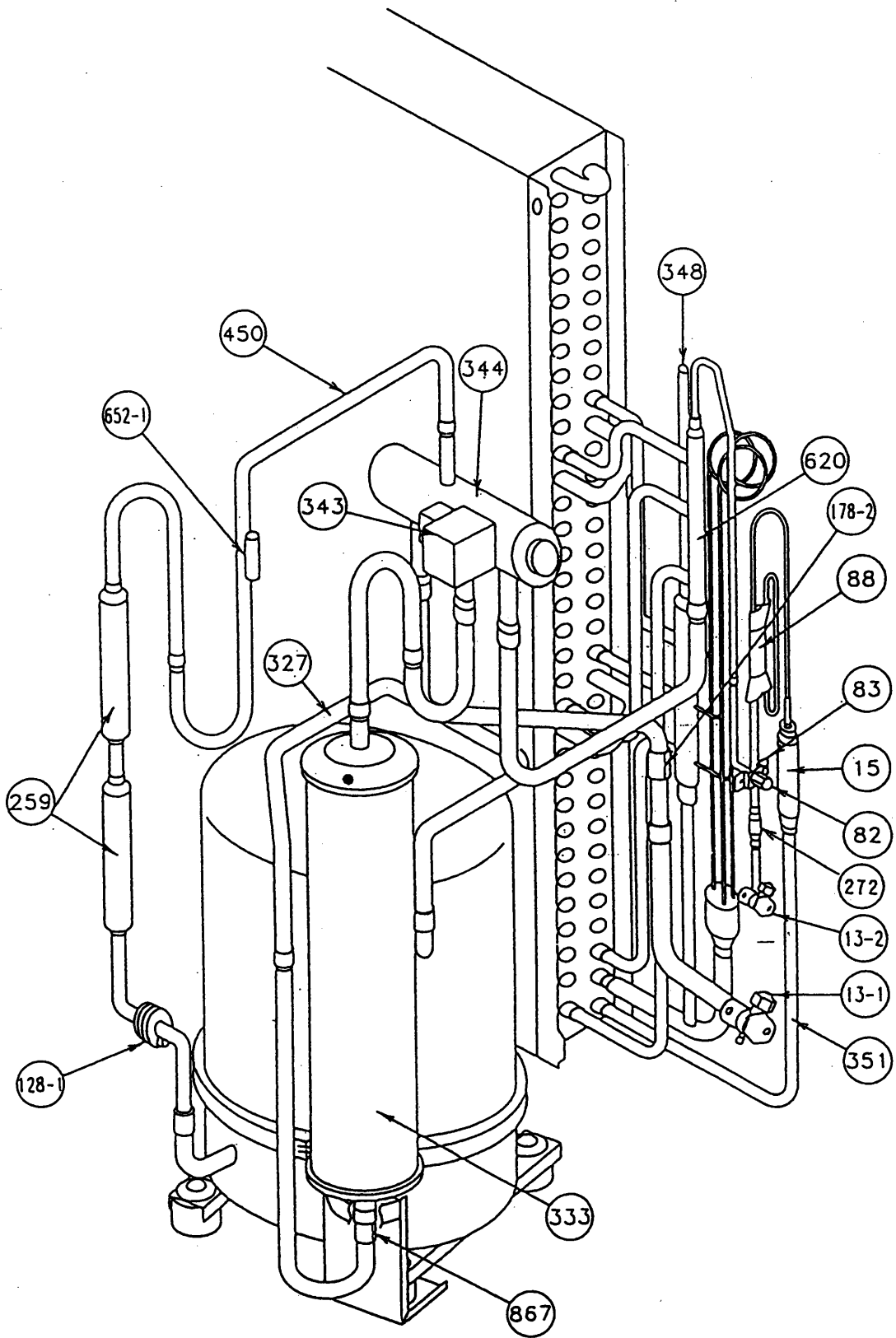


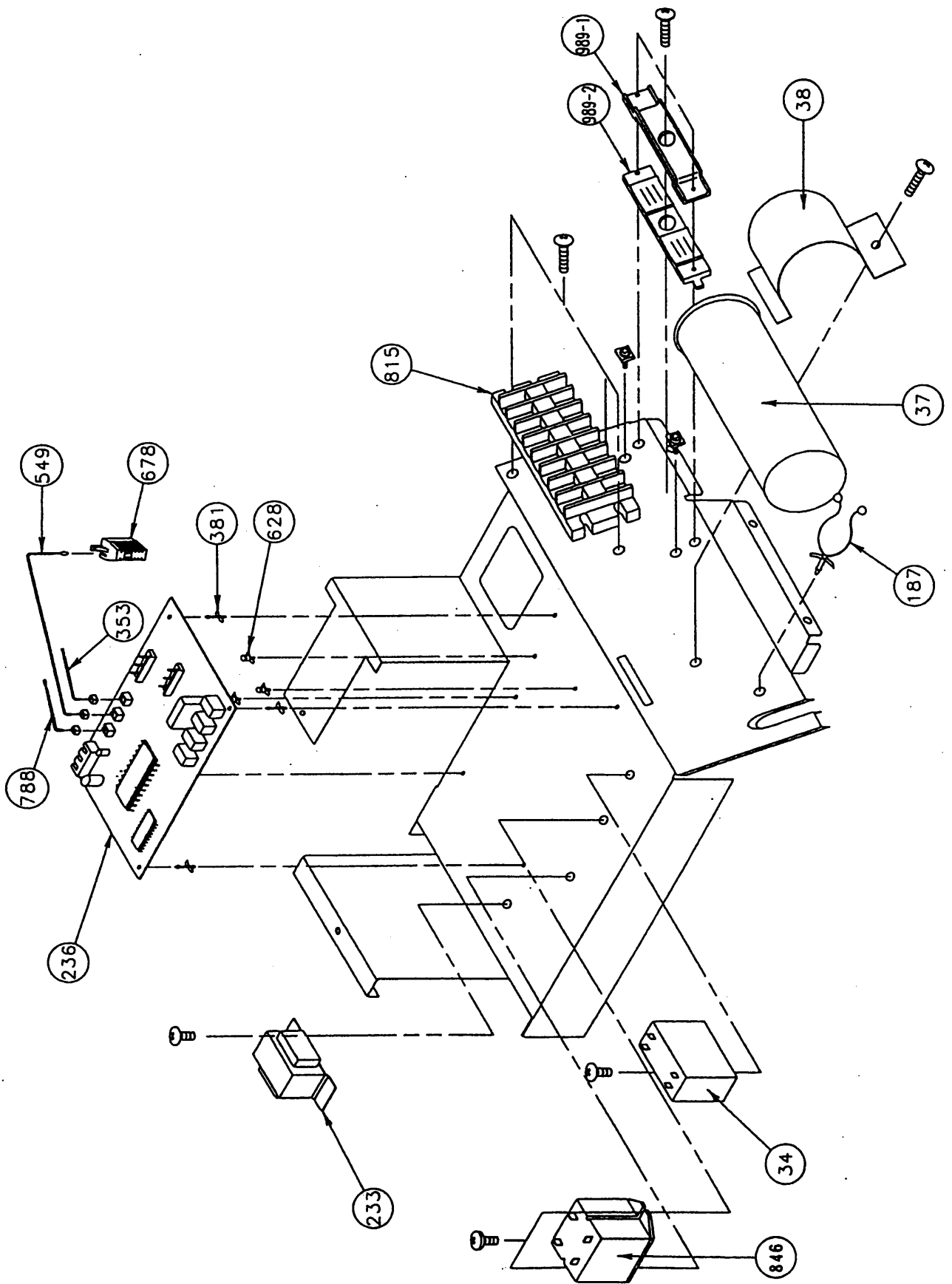


Model: ROW-30RB

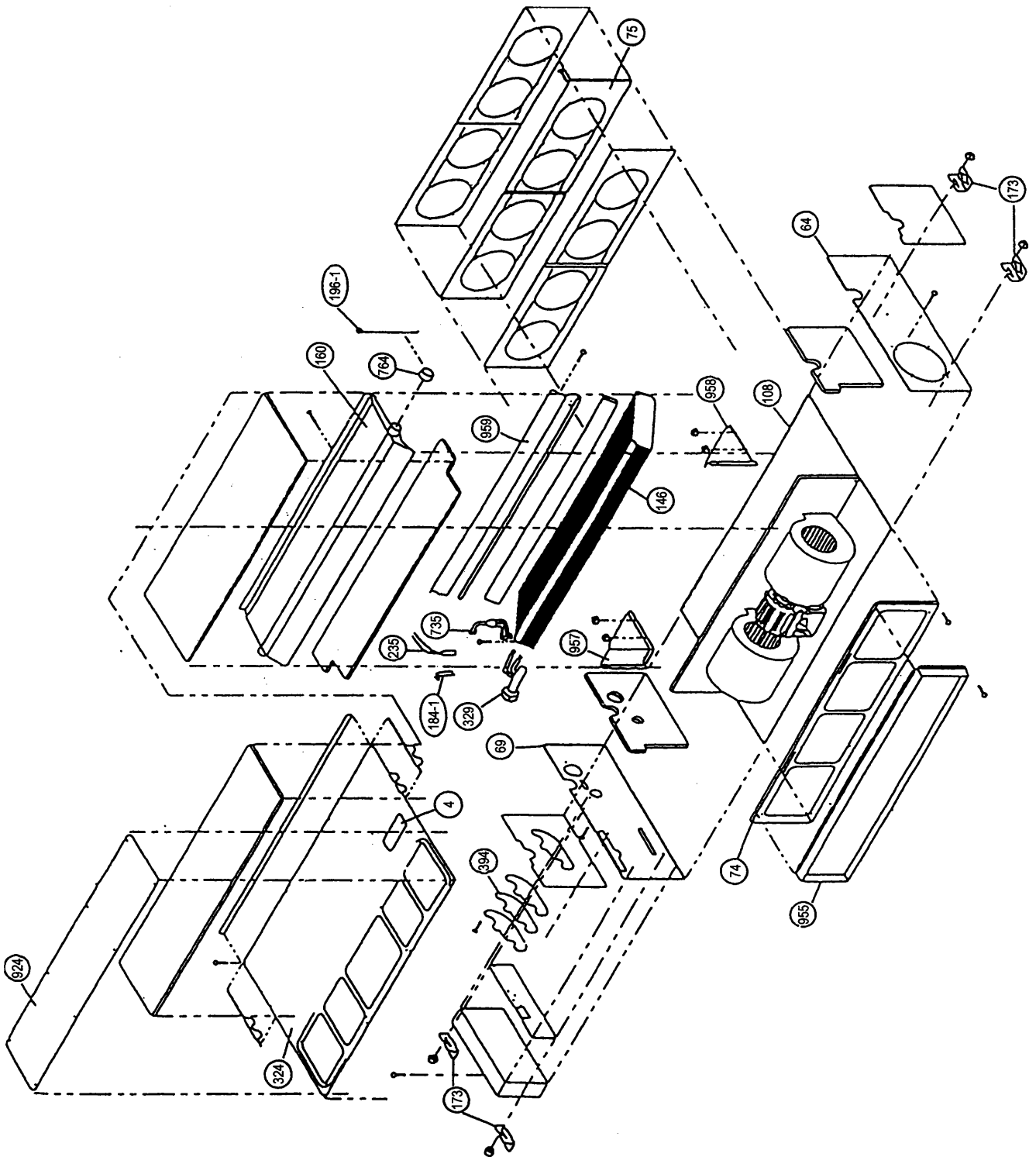


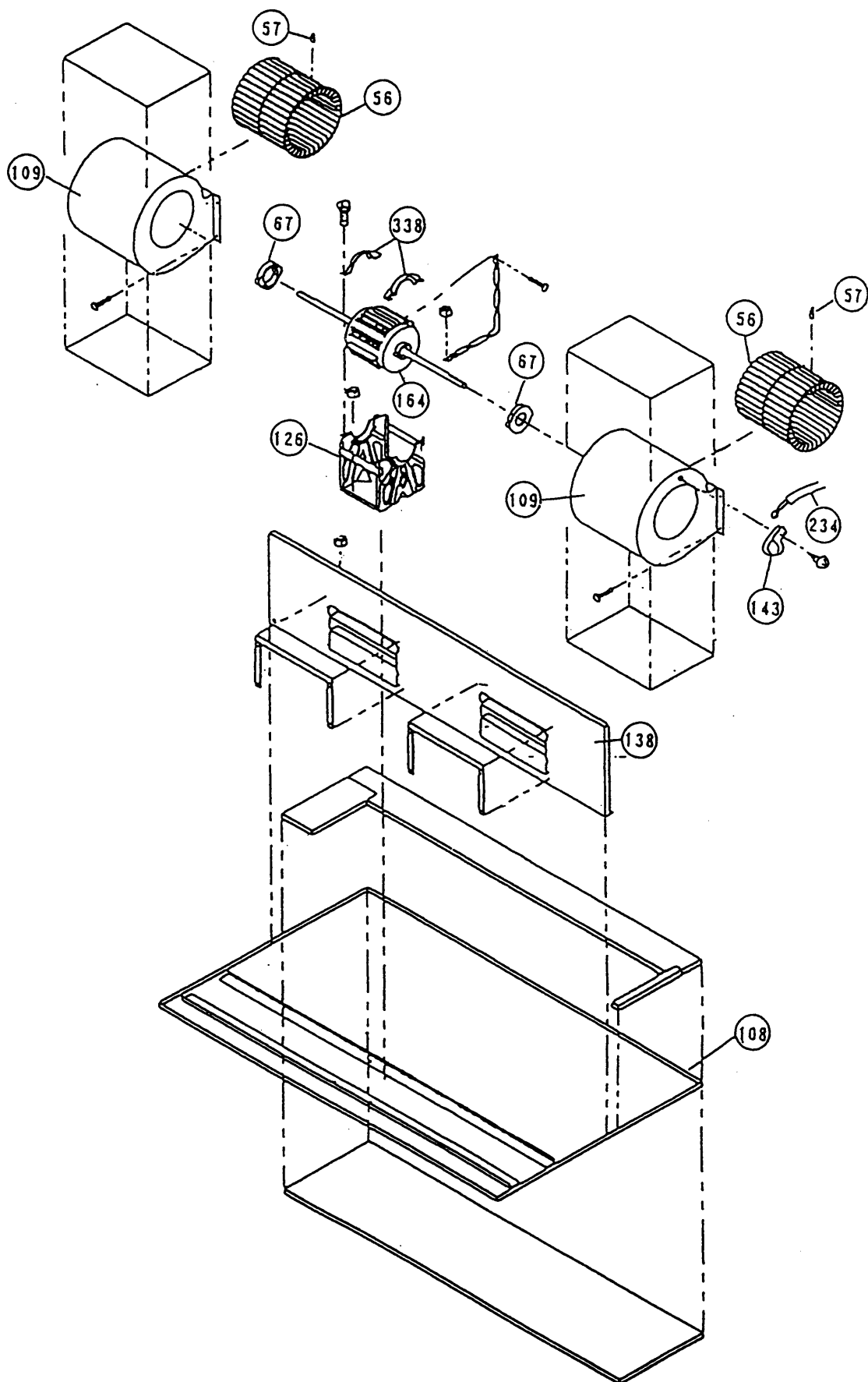




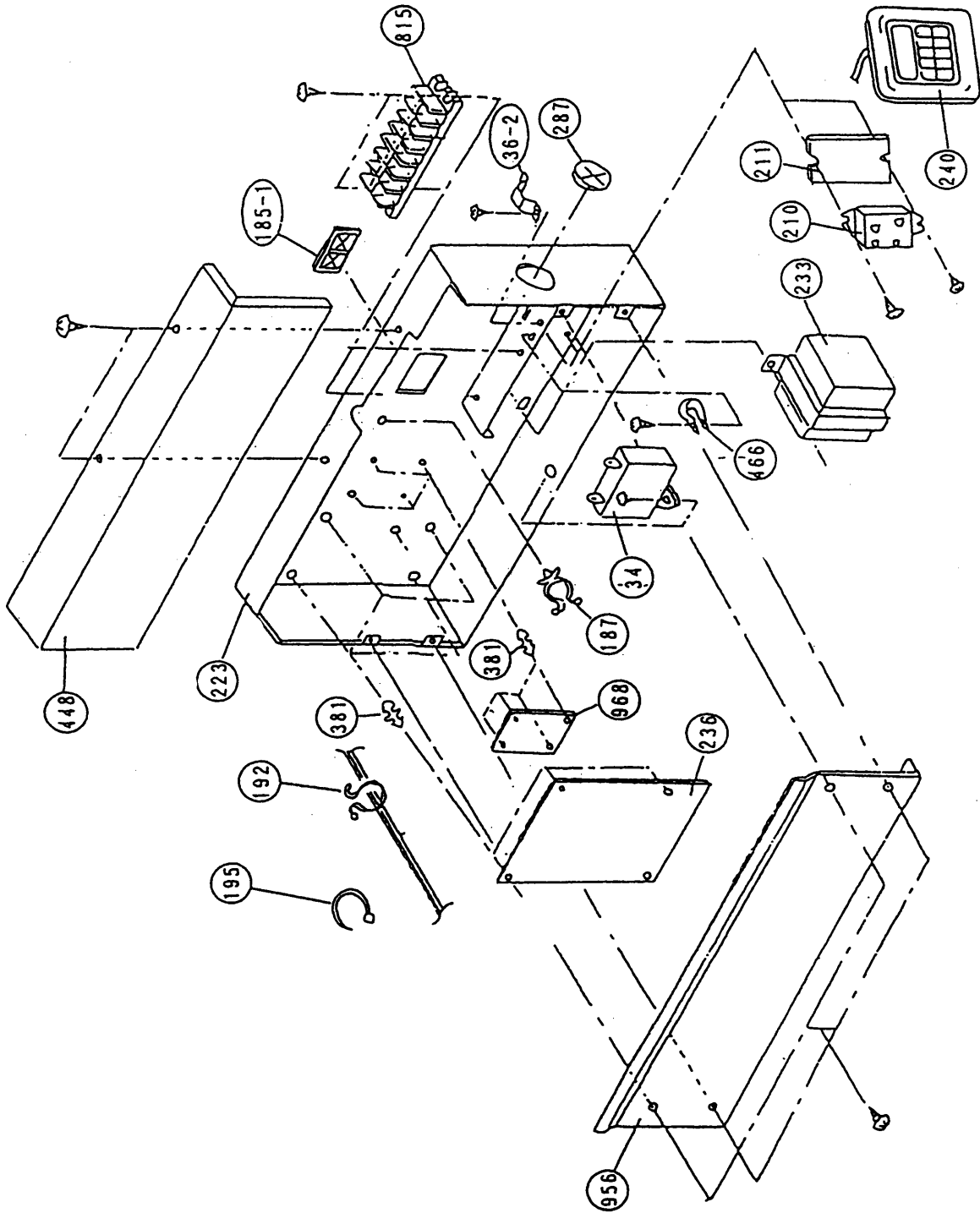


Models: RD-30, RD-30R

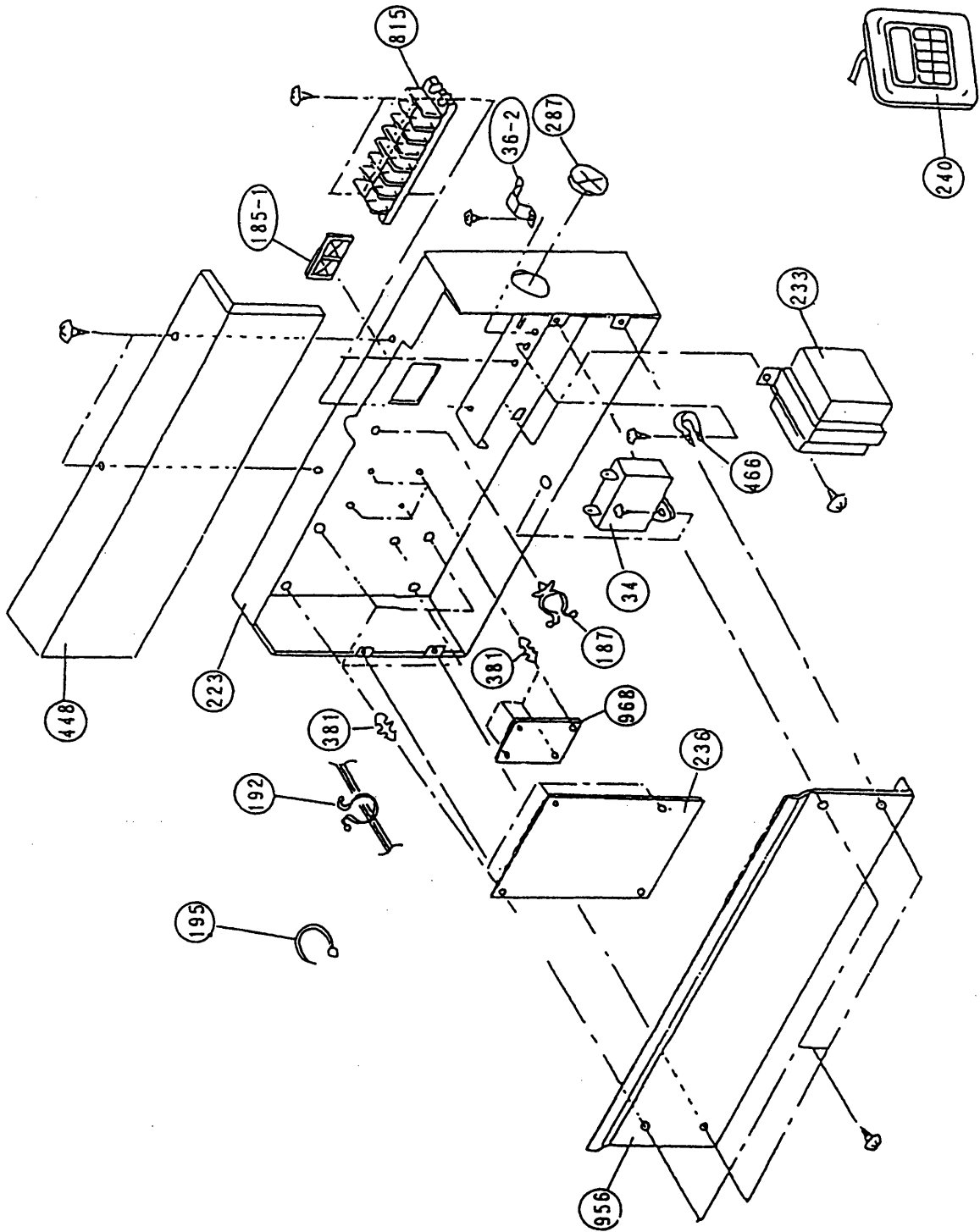




Model: RD-30



Model: RD-30R



PARTS LIST

When you order parts, please make a photocopy of this page and fill the number of the parts in the "Order" column.

INDOOR UNIT

Ref. No.	Description	Part No.		Ord. Q'ty	Ref. No.	Description	Part No.		Ord. Q'ty
		RD-30	RD-30R				RD-30	RD-30R	
4	Emblem-Rear	9301702019	9301702019		211	Cushion Rubber	313806328306	—	
34	Capacitor (Fan Motor)	9700468035	9700468035		223	Control Box Metal Assy	9356558005	9356558005	
36-2	Cord Holder Metal	9356362008	9356362008		233	Power Transformer	9701678013	9701678013	
56	Sirocco Fan Assy	9356531022	9356531022		234	Thermistor Assy	9302745008	9302745008	
57	Hex. Socket Screw	313616213202	313616213202		235	Thermistor Assy-Pipe	9701329076	9701329076	
64	Cabinet-Left Metal	9356551006	9356551006		236	Controller PCB Assy	9701705016	9701594023	
67	Rubber (Vibration-proof)	313659068604	313659068604		240	Remote Control Unit	9701673032	9701673025	
69	Cabinet-Right Metal	9356547009	9356547009		287	Cap (Power)	9352173011	9352173011	
74	Intake Panel	9356537000	9356537000		324	Top Plate	9356546002	9356546002	
75	Outlet Panel Assy	9356538007	9356538007		329	Coupling Pipe Assy	9361547001	9361547001	
108	Base Assy	9356518009	9356518009		338	Motor Fixture	9356536003	9356536003	
109	Casing Assy	9356527001	9356527001		381	Locking Spacer	313209391506	313209391506	
126	Motor Fixing Table Assy	9356533002	9356533002		394	Pipe Fixing Plate	9356554007	9356554007	
138	Separate Wall	9356523003	9356523003		448	Control Box Metal-B	9356560008	9356560008	
143	Clamp NK-3N	313361274700	313361274700		466	Clamp NK-4N	313714328805	313714328805	
146	Evaporator Assy	9361548015	9361548015		735	Distributor Assy	9361543003	9361543003	
160	Drain Pan Assy	9356542028	9356542028		764	Drain Cap	9356541007	9356541007	
164	Fan Motor Assy	9600434024	9600434024		815	Terminal-7P	9358660102	9358660102	
173	Hanger Bracket	9356563009	9356563009		924	Intake Seal Plate	9356553000	9356553000	
184-1	Thermo. Spring-A	313728262708	313728262708		955	Square Flange Assy	9356555004	9356555004	
185-1	Rubber Bushing	9357376004	9357376004		956	Control Box Metal-E	9356900002	9356900002	
187	Clamp No. 1219	313361271706	313361271706		957	Eva. Fixing Plate-R	9356521009	9356521009	
192	Clamp No. 062	313361271402	313361271402		958	Eva. Fixing Plate-L	9356522006	9356522006	
195	Clamp SKB-100	313361275805	313361275805		959	Eva. Seal Plate	9356540000	9356540000	
196-1	Clamp SKB-3M	312300787605	312300787605		968	Relay PCB Assy	9701594030	9701594030	
210	Main Relay	9356781007	—						

OUTDOOR UNIT

Ref. No.	Description	Part No.		Ord. Q'ty	Ref. No.	Description	Part No.		Ord. Q'ty
		ROW-30B	ROW-30RB				ROW-30B	ROW-30RB	
2	Fan Cover	9359808015	9359808015		259	Muffler	313755083903	313755083903	
4	Emblem-Rear	313791088308	313791088308		272	Strainer	—	9360147011	
5	Cabinet-A, Painted	9359797029	9359797029		327	SuctionPipe-A	9360152008	9360152008	
8	Wire Assy (Shield)-D	9359904021	9359904021		332	Suction Pipe-E	9361052000	—	
9	Cabinet-B, Painted	9359798026	9359798026		333	Accumulator	9360183002	9360183002	
12	Base Assy, Painted	9359812029	9359812029		343	Solenoid Coil	—	9360538024	
13-1	3-way Valve (5/8)	9360157003	9360157003		344	4-Way Valve	—	9360195005	
13-2	3-way Valve (3/8)	9360150004	9360150004		348	Outlet Pipe (Cond.) Assy	9360171009	9360131003	
15	Dryer	9353789006	9353789006		349	Outlet Pipe-E	9360174000	—	
16	Condenser Assy	9360280015	9360280015		351	Outlet Pipe-F	—	9360158000	
26	Compressor Cover	9362501002	9362501002		353	Thermistor Assy-Pipe	—	9701330010	
29	Separate Wall	9359804017	9359804017		361	Accumulator Support	9359843016	9359843016	
32	Control Box Metal	9359839019	9359839019		381	Locking Spacer	—	313209391506	
34	Capacitor (Fan Motor)	9357965024	9700467052		401	Terminal	9701971015	—	
37	Running Capacitor	9357211077	9357211077		407	Clip (Cable) No. 1259	313739340109	313739340109	
38	Capacitor Clamp	9360610010	9360610010		450	Discharge Pipe-A Assy	9360166005	9360124005	
39	Propeller Fan Assy	9359837015	9359837015		477	Bell Mouth	9359809012	9359809012	
41	Fan Motor Assy-Outer	9600266045	9600266045		527	Protection Net	9359844013	9359844013	
45-1	Motor Bracket Metal	9359801016	9359801016		549	Thermostat Assy-Outer	—	9357328027	
45-2	Motor Bracket Top Metal	9359803010	9359803010		549-2	Thermostat Outdoor	9353680006	—	
46	Compressor Assy	9360613011	9360613011		620	Inlet Pipe (Cond.) Assy	9360167002	9360126009	
55	Special Nut M8 (For Comp.)	313252257701	313252257701		628	Locking Spacer-B	—	313005446558	
64	Cabinet-left	9359840022	9359840022		646	Compressor Cover-B	9353368003	9353368003	
82	Check Joint Assy	9360762009	9360771001		652-1	Thermistor Holder Pipe	—	313806262805	
83	Check Joint Bracket	9359807018	9359807018		653-1	Bolt (Fan Motor Fixing)	0700156014	0700156014	
84	Valve Cover	9359817017	9359817017		678	Bracket (Thermistor)	—	313557406106	
85	Valve Fixing Plate	9359806011	9359806011		734	Cabinet Top Plate	9359799023	9359799023	
88	Restrictor Valve	—	9360146007		744	Clamp (Condenser)	313166374106	313166374106	
107	Rubber Seat-A (For Comp.)	313102081406	313102081406		788	Thermistor-Discharge	—	9358337011	
108	Sleeve-A (For Comp.)	313696081700	313696081700		790	Belt Heater	9361140035	9361140035	
109	Terminal Cover (For Comp.)	9352456022	9352456022		812	Grip	9352157004	9352157004	
111	Terminal Packing (For Comp.)	9352456039	9352456039		815	Terminal-8P	9356484052	9356484052	
128-1	Rubber (Discharge Pipe)	—	313155086308		817	Thermostat Fixture	9352164019	—	
178-2	Capillary Holder Rubber	313394274808	313394274808		823-2	Fuse Holder	0500063024	—	
187	Clamp No 1219	313361271706	313361271706		824-4	Fuse	0600222529	—	
218-2	Power Relay	9351553012	—		846	Relay	—	9357058009	
218-3	Power Relay	9353619006	—		867	Accumulator Holder Rubber	9354022010	9354022010	
233	Power Transformer	—	9701549016		949	Screw, Painted White	9305648009	9305648009	
236	Controller PCB Assy	—	9702834012		983	Thermostat Cover	9358274002	—	
					989-1	Cord Clamp-A	9359822011	9359822011	
					989-2	Cord Clamp-B	9359823018	9359823018	

When you order parts, please make a photocopy of this page and fill the number of the parts in the "Order" column.

[INDOOR P. C. B.]
CONTROLLER PCB ASSEMBLY (Ref. No. 236)

Ref. No.	Description	PART No.	Ord. Q'ty	Ref. No.	Description	PART No.	Ord. Q'ty
IC1	IC μ PD78011FCW-013	9701722013		C8	Cap. Elec. 25V 2200 μ F	0300915417	
IC2	IC NJM7805FA	0100462081		C9, 13, 17, 18, 21, 24	Cap. Ceramic 0.1 μ F	0300988251	
IC3	IC NJM7812FA	0100462104		C10	Cap. Elec. 35V 2200 μ F	0300915042	
IC4	IC HI2002 (RD-30R)	9701384020		C12	Cap. Elec. 25V 100 μ F	0300051375	
IC5, 6	IC BA12003	0101650012		C14, 15, 26, 27, CJ16	Cap. Ceramic 50V 0.01 μ F	0300013113	
IC7	IC BA10358	0101854014		C19, 22, 25, 30	Cap. Ceramic 50V 1000pF	0300011096	
IC8	IC PST600D-2-TP	0101461113		F1	FUSE BET 4A - 250V	0600222543	
RC1~3	RC Module ARCL12FS	0200301013		FH1, 2	Fuse Holder PFC5000-0502	0500158072	
Q1	Xstr 2SD880	0000001014		VA1~3	Varistor TNR12G471K	0000038010	
Q2, 3, 6	Xstr DTC124ES	0000517010		SA1	Arrester DSA-362MA-05	0600168032	
Q4, 5	Xstr 2SC1815	0000002011		K1~3, 5	Relay JQ1-12V	9701316014	
D1	Diode D2SB20	0000599023		CR2	Network RPEL-121204	9701125012	
D2	Diode MTZJ15C	0000852203		SW1	Switch, Slide DSS804	9701393015	
D3	Diode 1SR139-400	0000353137		SW2	Switch, Rotary DRS4016-5	9701694013	
D4	Diode S1VB20	0000292054		HT1	Heat Sink PUG26-25	9701428014	
D5~7, 10	Diode 1SS133	0000572019		HT2	Heat Sink B.PUE-16	9701376018	
R1, 2	Res. Carbon 5.6k Ω \pm 5%	0200994192		X1	X'tal Resonator EF0EC8384T4	9701261017	
R3, 15, 17, 22, 27	Res. Carbon 1k Ω \pm 5%	0200994017		L2~4	EMI Filter EXCEMT103DT	0400406396	
R4, 6, 10~12, 14, 19~21, 23, 26	Res. Carbon 10k Ω \pm 5%	0200994253		CN1	Plug, PCB 53406-9910 (RD-30)	0500951048	
R5, 13, 28	Res. Carbon 390 Ω \pm 5%	0200993874		CN1	Plug, PCB 53406-9210 (RD-30R)	0500951062	
R7	Res. Metal 15.4k Ω \pm 1%	0201028759		CN3	Plug, PCB B2P3-VH-B-C	0500011773	
R8	Res. Metal 28.0k Ω \pm 1%	0201028742		CN4	Plug, PCB 53331-0210	0501033019	
R9	Res. Carbon 4.7k Ω \pm 5%	0200994178		CN5	Plug, PCB 5430C063	0500957026	
R16	Res. Metal 3.32k Ω \pm 1%	0201028568		CN6	Plug, PCB B2P3-VH-B-R	0500011766	
R18	Res. Metal 10.5k Ω \pm 1%	0201028537		CN7, 13	Plug, PCB B4B-XH-AM	0500005314	
R24	Res. Metal 22.1k Ω \pm 1%	0201028513		CN8	Plug, PCB 53405-0310	0500940035	
R25	Res. Metal 33.2k Ω \pm 1%	0201028544		CN9	Plug, PCB B2P-VH-B	0500011124	
C1, 4	Cap. Plastic 250V 0.1 μ F	0300894835		CN10	Plug, PCB B2P-VH-B-C	0500011568	
C2, 3	Cap. Ceramic 50V 4700pF	0300727546		CN11	Plug, PCB B3B-XH-AM	0500005338	
C5	Cap. Elec. 50V 2200 μ F	0301206026		CN12	Plug, PCB B3P-SHF-1AA	0500006021	
C6	Cap. Elec. 50V 10 μ F	0300003145		CN18	Plug, PCB B2B-XASK-1A (RD-30)	0501045012	
C7, 11, 20, 23	Cap. Elec. 25V 10 μ F	0300004258		E	Wire w/Terminal GRN L=300	9701755011	

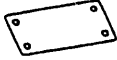



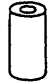







[OUTDOOR P. C. B.]
CONTROLLER PCB ASSEMBLY (Ref. No. 236)

Ref. No.	Description	PART No.	Ord. Q'ty	Ref. No.	Description	PART No.	Ord. Q'ty
IC1	IC μ PD78081CU-011	9701721016		C9~11, 14~16, 30	Cap. Ceramic 50V 0.01 μ F	0300013113	
IC2	IC HU2001	9701651016		C17	Cap. Elec. 25V 100 μ F	0300051375	
IC3	IC PCT600D-2-TP	0101461113		C20, 23, 26, 35	Cap. Ceramic 50V 1000pF	0300011096	
IC4	IC NJM7805FA	0100462081		C33	Cap. Elec. 25V 2200 μ F	0300915417	
IC5, 6	IC BA12003	0101650012		F1	Fuse 3.15A - 250V	0600222512	
RC1	RC Module ARCL14FS	0200301020		FH1, 2	Fuse Holder PFC5000-0502	0500158072	
Q1	Xstr 2SD880	0000001014		SA1	Arrester DSA-362MA-05	0600168032	
Q2, 3	Xstr DTC124ES	0000517010		K1~3, 6	Relay JQ1-12V	9701316014	
D1	Diode D2SB20	0000599023		CR1, 3	Network RPEL-121204	9701125012	
D2	Diode MTZJ15C	0000852203		RC1	CR Module ARCL12FS103J102J103M	0200301020	
D3~5	Diode 1SR139-400	0000353137		L1	EMI Filter SU16VF-15030	0400134114	
D6	Diode 1SS133	0000572019		VA1, 4	Varistor TNR12G471K	0000038010	
LED1, 2	Diode SLR-325VC	0000813259		HT1	Heat Sink PUG26-25	9701428014	
R1, 2	Res. Carbon 5.6k Ω \pm 5%	0200994192		X1	X'tal Resonator EF0EC5004T	9701261024	
R3, 6, 10~12, 14, 16, 18, 20, 24	Res. Carbon 1k Ω \pm 5%	0200994017		CN1	Plug, PCB 53406-9110	0500951086	
R4, 26	Res. Carbon 4.7k Ω \pm 5%	0200994178		CN2	Plug, PCB B2P3-VH-B-R	0500011766	
R5, 7~9, 13, 21~23, 25	Res. Carbon 10k Ω \pm 5%	0200994253		CN3	Plug, PCB B2B-XH-AM	0500005321	
R15, 17	Res. Metal 14k Ω	0201028612		CN4	Plug, PCB 53331-0210	0501033019	
R19	Res. Metal 6.65k Ω	0201028766		CN5	Plug, PCB B4P7-VH-B	0500011742	
C1, 4	Cap. Plastic 250V 0.1 μ F	0300894835		CN8	Plug, PCB 179844-2	0501121020	
C2, 3	Cap. Ceramic 50V 4700pF	0300727546		CN9	Plug, PCB 179844-1	0501121013	
C5	Cap. Elec. 50V 2200 μ F	0301206026		CN10	Plug, PCB B4P-SHF-1AA	0500006038	
C6, 7, 21, 24, 27	Cap. Elec. 25V 10 μ F	0300003145		CN11	Plug, PCB B2P-VH-B	0500011124	
C8, 18, 19, 22, 25, 28, 29, 34, 36	Cap. Ceramic 0.1 μ F	0300988251		CN12	Plug, PCB B2P-VH-B-C	0500011568	
				CN13	Plug, PCB B2P-VH-B-R	0500011148	
				CN15	Plug, PCB B2B-XASK-1A	0501045012	
				E	Wire w/Terminal GRN L=210	9701325016	






RELAY PCB ASSEMBLY (Ref. No. 968)

Ref. No.	Description	PART No.	Ord. Q'ty	Ref. No.	Description	PART No.	Ord. Q'ty
R201	Res. Carbon 1/2W 680 Ω \pm 5%	0200012681		CR201	CR Absorber RPEL-121204-C	9701125012	
HT201	Heat Sink OSH-4730C-SP	9701754014		CN201	Plug, PCB B4P7-VH-B	0500011742	
SSR201	Relay S202SE2	9701719013					

INDOOR UNIT ACCESSORIES

Name and Shape	Q'ty	Application	RD-30	RD-30R
Installation Template 	1	For positioning the indoor unit	9357036007	9357036007
Hanger 	4	For suspending the indoor unit from ceiling	9356563009	9356563009
Special nut A (large flange) 	4	For suspending the indoor unit from ceiling	313005446653	313005446653
Special nut B (small flange) 	4		313005446759	313005446759
Coupler heat insulation (large) 	2	For indoor side pipe joint (large pipe)	9350716029	9350716029
Coupler heat insulation (small) 	1	For indoor side pipe joint (small pipe)	9352766015	9352766015
Nylon fastener 	1	For fixing the drain hose	312300787605	312300787605
Remote control unit 	1		9701673032	9701673025
Remote control unit cord clamp 	10	For installing the remote control unit cord	313714181904	313714181904
Tapping screw (flush heads) 	10	For installing the remote control unit cord clamp	301141153027	301141153027
Auxiliary pipe assembly 	1	For wiring conduit (gas side) connection	9356995022	9356995022
Drain hose insulation 	1	Insulates the drain hose and vinyl hose connection	313806217708	313806217708

OUTDOOR UNIT ACCESSORIES

Name and Shape	Q'ty	Application	ROW-30B	ROW-30RB
Cap (drain) 	2	For outdoor unit drain piping work	—	313166024302
Hexagon wrench 	1	For opening the refrigerant valve on the outdoor unit	9351228019	9351228019
Cable clip 	2	For power cord binding	313739340109	313739340109
Tapping screw (painted) 	1	For fixing the valve cover	9305648009	9305648009
Drain pipe 	1	For outdoor unit drain piping work	—	9303029015



MANUFACTURER:

Fuji Denki Sosetsu Co., Ltd.

Tokyo, Japan