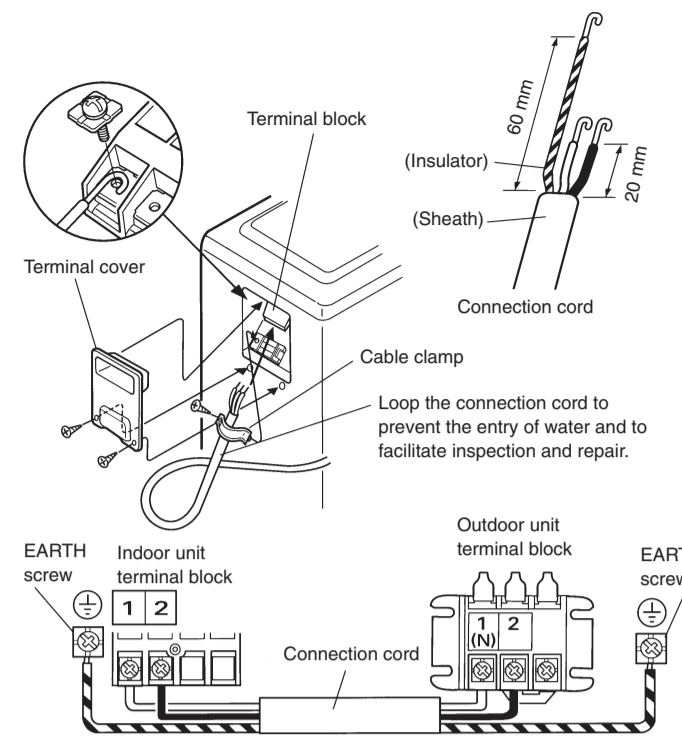


7 OUTDOOR UNIT WIRING

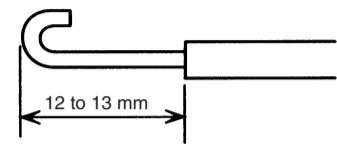
[Cooling model]

Fig. 23



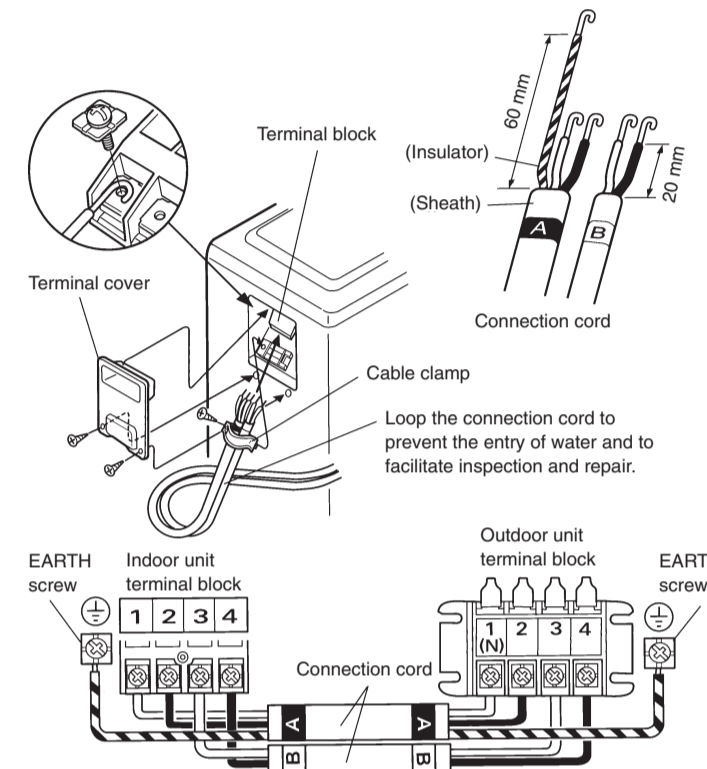
- WARNING**
- Match the terminal block numbers and connection cord colors with those of the indoor unit side. Erroneous wiring may cause burning of the electric parts.
 - Connect the connection cords firmly to the terminal block. Imperfect installation may cause a fire.
 - Always fasten the outside covering of the connection cord with the cord clamps. (If the insulator is clamped, electric leakage may occur.)
 - Always connect the ground wire.

Fig. 21 Stripped length



[Reverse cycle model]

Fig. 22

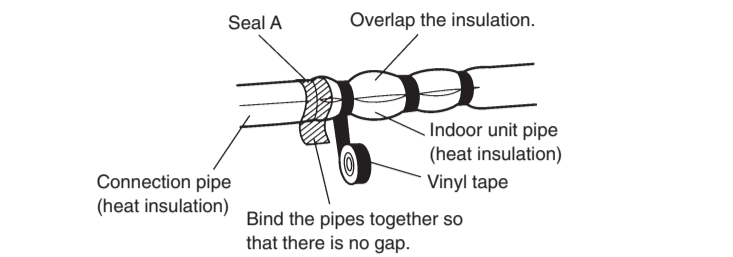


Loop the connection cord to prevent the entry of water and to facilitate inspection and repair.

8 FINISHING

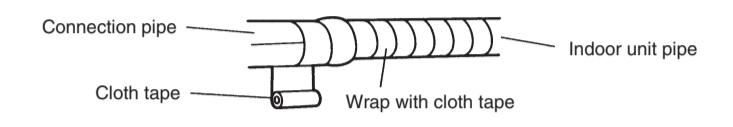
- Insulate between pipes.
 - For rear, right, and bottom piping, overlap the connection pipe heat insulation and indoor unit pipe heat insulation and bind them with vinyl tape so that there is no gap.
 - For left rear and left piping, butt the connection pipe heat insulation and indoor unit pipe heat insulation together and bind them with seal A and vinyl tape so that there is no gap.

Fig. 24



- For left rear and left piping, wrap the area which accommodates the rear piping housing section with cloth tape. Then lift the indoor unit slightly and lower it while pushing the wall side and hook the two hooks at the bottom of the wall hook bracket to the hook holes.

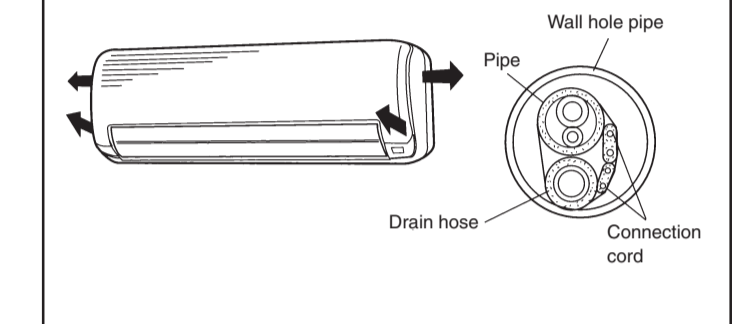
Fig. 25



Check that:

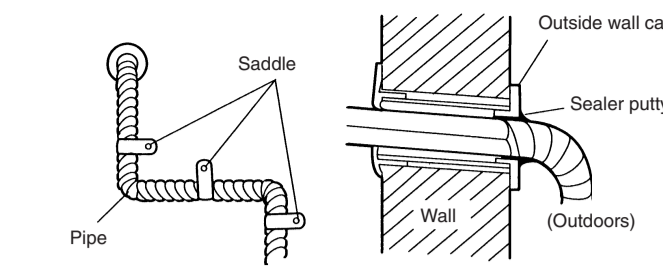
- The top and bottom hooks are hooked firmly and the indoor unit does not move to the front and rear or left and right.
- The indoor unit is accurately positioned horizontally and vertically.
- The drain hose is at the bottom left of the wall pipe.

Fig. 26



- Temporarily fasten the connection cord along the connection pipe with vinyl tape. (Wrap to about 1/3 the width of the tape from the bottom of the pipe so that water does not enter.)
- Fasten the connection pipe to the outside wall with a saddle, etc.
- Fill the gap between the outside wall pipe hole and the pipe with sealer so that rain water and wind cannot blow in.

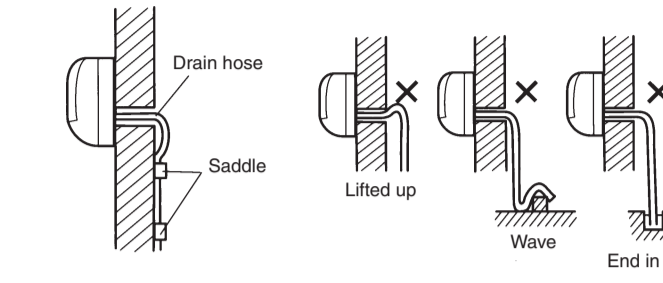
Fig. 27



- Fasten the drain hose to the outside wall, etc.

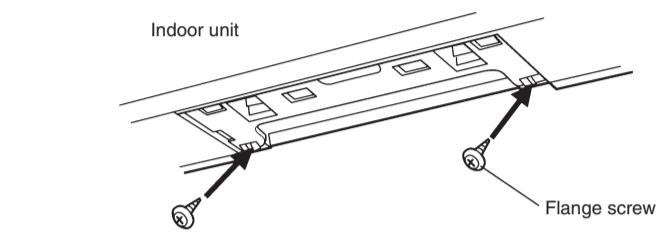
Fig. 28

Check the following:



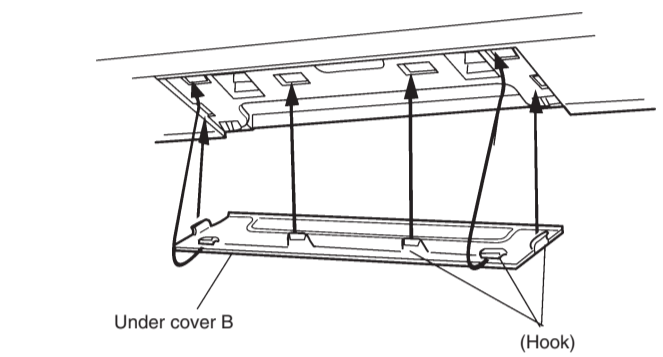
- Fasten the indoor unit.
 - Fasten the bottom of the indoor unit to the wall hook bracket with the two flange screws.

Fig. 29



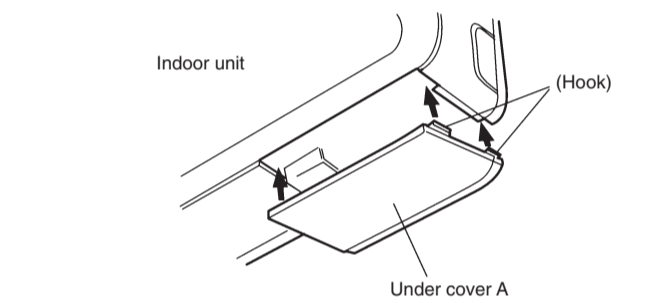
- Install under cover B.

Fig. 30



- Install under cover A.

Fig. 31



9 POWER

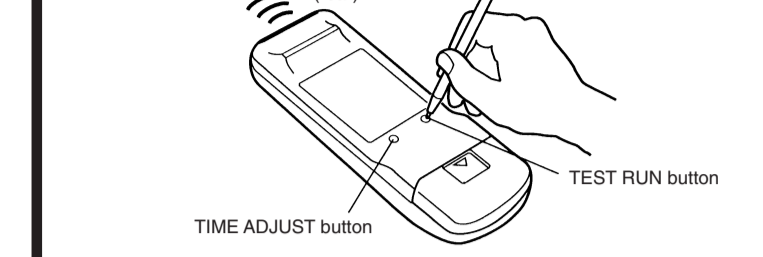
- WARNING**
- The rated voltage of this product is 220-240 V A.C. 50 Hz.
 - Before turning on the verify that the voltage is within the 198 V to 264 V range.
 - Always use a special branch circuit and install a special receptacle to supply power to the room air conditioner.
 - Use a circuit breaker and receptacle matched to the capacity of the room air conditioner.
 - Do not extend the power cord.
 - Perform wiring work in accordance with standards so that the room air conditioner can be operated safely and positively.
 - Install a leakage circuit breaker in accordance with the related laws and regulations and electric company standards.

- CAUTION**
- The power source capacity must be the sum of the room air conditioner current and the current of other electrical appliances. When the current contracted capacity is insufficient, change the contracted capacity.
 - When the voltage is low and the air conditioner is difficult to start, contact the power company the voltage raised.

10 TEST RUNNING

- Perform test operation and check items 1 and 2 below.
- For the operation method, refer to the operating manual.
- The outdoor unit may not run, depending on the room temperature. In this case, press the TEST RUN button at the back of the remote control unit while the room air conditioner is running. (With the transmit section of the remote control unit facing the body, press the TEST RUN button with the tip of a ball point pen.)

Fig. 32



- To end test operation, press the remote controller START/STOP button. (When the power is turned on for the first time after unpacking, the RUN and TIMER lamps will alternately flash rapidly. When operation starts, the flashing stops. Thereafter, when the power is turned off and then turned on, operation immediately before the power was turned off, or the stop state, will be automatically reproduced.) (When the room air conditioner is run by pressing the remote control unit TEST RUN button, the RUN and TIMER lamps will simultaneously flash slowly.)

1. INDOOR UNIT

- Is operation of each button on the remote control unit normal?
- Does each lamp light normally?
- Do the air flow direction louvers operate normally?
- Is the drain normal?

2. OUTDOOR UNIT

- Is there any abnormal noise and vibration during operation?
- Will noise, wind, or drain water from the unit disturb the neighbors?
- Is there any gas leakage?

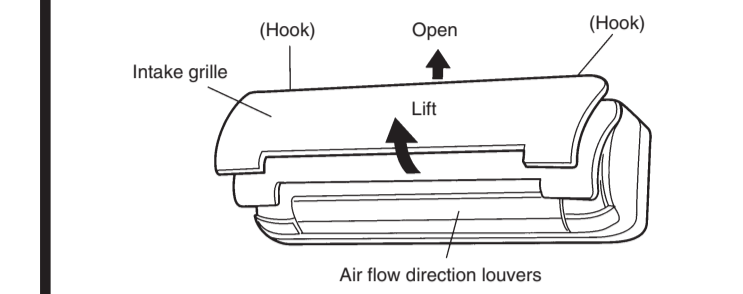
12 FRONT PANEL REMOVAL

- CAUTION**
- Install the front panel and intake grille securely. If installation is imperfect, the front panel or intake grille may fall off and cause injury.

1. INTAKE GRILLE REMOVAL

- Open the intake grille.
- Open the intake grille further and lift off the grille.

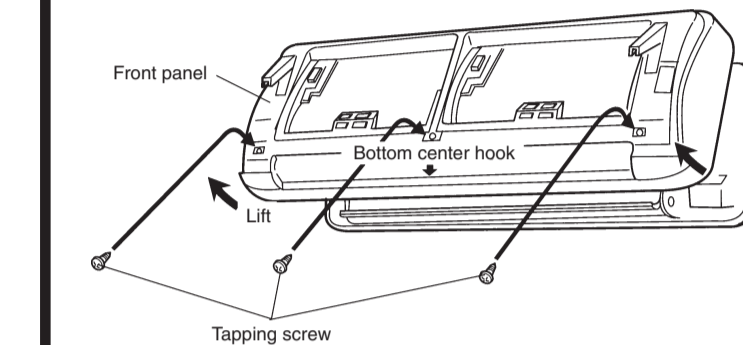
Fig. 33



2. FRONT PANEL REMOVAL

- Remove the under cover B.
- Remove the tapping screws.
- After placing the air flow direction louvers to the horizontal position and unlatching the bottom center hook, lift off the front panel.

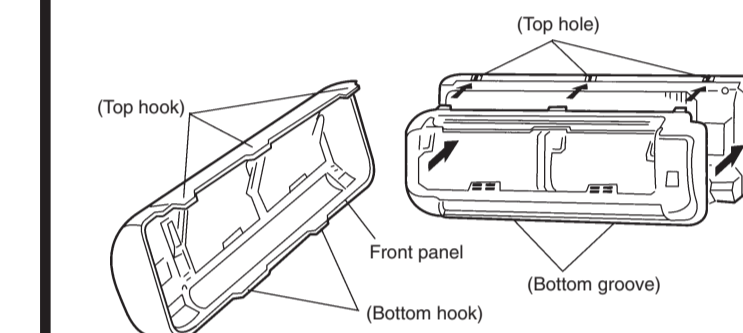
Fig. 34



3. FRONT PANEL INSTALLATION

- Set the air flow direction louvers to the horizontal position and install the front panel straight from the front with the tapping screws.

Fig. 35



- Check that the top hooks are firmly seated in the top holes and the bottom hooks are firmly seated in the bottom grooves.

13 REMOTE CONTROL UNIT HOLDER INSTALLATION

- CAUTION**
- Check that the indoor unit correctly receives the signal from the remote control unit, then install the remote control unit holder.
 - Select the remote control unit holder selection site by paying careful attention to the following: Avoid places in direct sunlight. Select a place that will not be affected by the heat from a stove, etc.

Install the remote control unit holder to a wall or pillar with the tapping screw.

Fig. 36

