



# SPLIT TYPE ROOM AIR CONDITIONER

## WALL MOUNTED type

# SERVICE MANUAL

### Models

#### Indoor unit

RSW-20RB

RSW-24RD

#### Outdoor unit

ROW-20RB

ROW-24RD

## CONTENTS

SPECIFICATIONS .....	1
OUTLINE AND DIMENSIONS .....	2
REFRIGERANT SYSTEM DIAGRAM.....	3
CIRCUIT DIAGRAM .....	4
INDOOR PRINTED CIRCUIT BOARD CIRCUIT DIAGRAM .....	5
INDOOR P.C. BOARD LAYOUTS .....	6
DISASSEMBLY ILLUSTRATION .....	8
PARTS LIST .....	15

# SPECIFICATIONS

TYPE	COOL & HEAT	
INDOOR UNIT	<b>RSW-20RB</b>	<b>RSW-24RD</b>
OUTDOOR UNIT	<b>ROW-20RB</b>	<b>ROW-24RD</b>
COOLING CAPACITY (kW)	5.55 - 5.70	6.70 - 6.80
HEATING CAPACITY (kW)	5.90 - 6.10	7.70 - 7.80

## ELECTRICAL DATA

POWER SOURCE (V)	220 - 240		
FREQUENCY (Hz)	50		
RUNNING CURRENT (A)	COOLING	9.7 - 9.7	11.7 - 10.9
	HEATING	8.8 - 9.0	11.4 - 10.8
INPUT WATTS (kW)	COOLING	2.05 - 2.15	2.55 - 2.60
	HEATING	1.85 - 1.97	2.46 - 2.55
EER (kW/kW)	COOLING	2.71 - 2.65	2.71 - 2.65
	HEATING	3.19 - 3.10	3.13 - 3.06
MOISTURE REMOVAL (ℓ/hr)	2.0		2.8
AIR CIRCULATION-Hi (m <sup>3</sup> /hr)	840		1,000

## COMPRESSOR

TYPE	Hermetic type, Permanent split condenser, 2 poles, Single phase, Induction motor	
CODE	PH36VTTT	NH44VNBT
REFRIGERANT R-22 (g)	1,950	2,120

## FAN MOTOR

POWER SOURCE (V)	220 - 240		
INDOOR UNIT	TYPE	MFA-20GTT	MFA-24GTT
	HI-SPEED (r.p.m.)	1,130 - 1,160	1,230 - 1,290
	MED-SPEED (r.p.m.)	960 - 1,000	1,030 - 1,130
	LO-SPEED (r.p.m.)	820 - 850	840 - 930
OUTDOOR UNIT	TYPE	MFB - 252TA	
	(r.p.m.)	735	

## DIMENSIONS

INDOOR UNIT	H x W x D (mm)	320 x 1,250 x 195
OUTDOOR UNIT	H x W x D (mm)	643 x 840 x 336

## WEIGHTS

INDOOR UNIT	Gross / Net (kg)	25 / 18	
OUTDOOR UNIT	Gross / Net (kg)	68 / 76	69 / 77

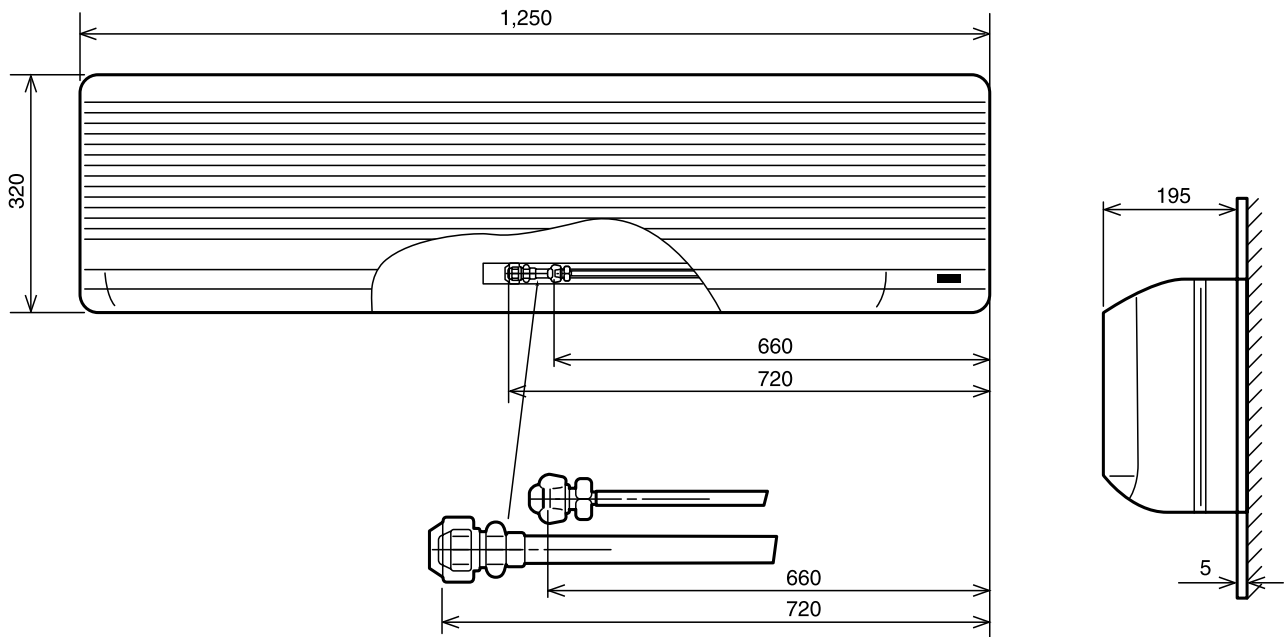
## REFRIGERANT (R-22)

FULL CHARGE AMOUNT	Pipe length	16 ft. ( 5 m )	1,950 g (68.8 oz)	2,120 g (74.8 oz)
		33 ft. ( 10 m )	2,100 g (74.1 oz)	2,270 g (80.1 oz)
		49 ft. ( 15 m )	2,250 g (79.4 oz)	2,420 g (85.4 oz)
		66 ft. ( 20 m )	2,400 g (84.7 oz)	2,570 g (90.7 oz)
OUTDOOR UNIT		30 g / m ( 0.53 oz / ft. )		

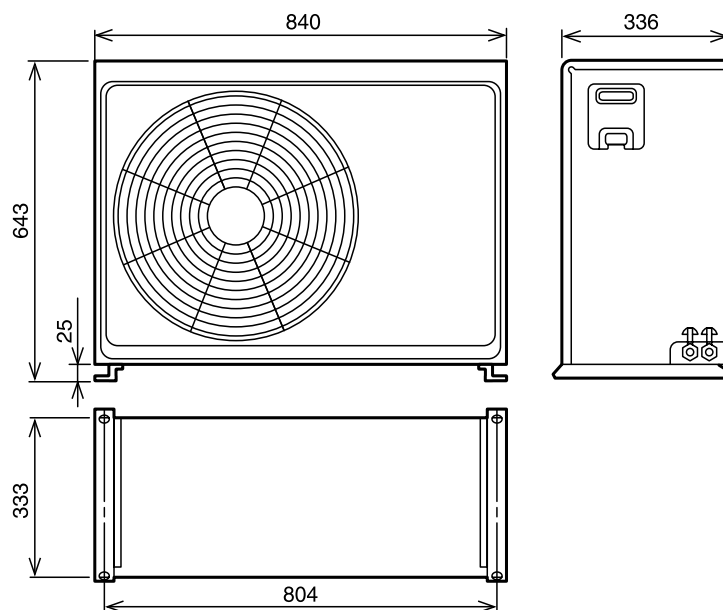
# OUTLINE AND DIMENSIONS

## INDOOR UNIT

Unit : mm

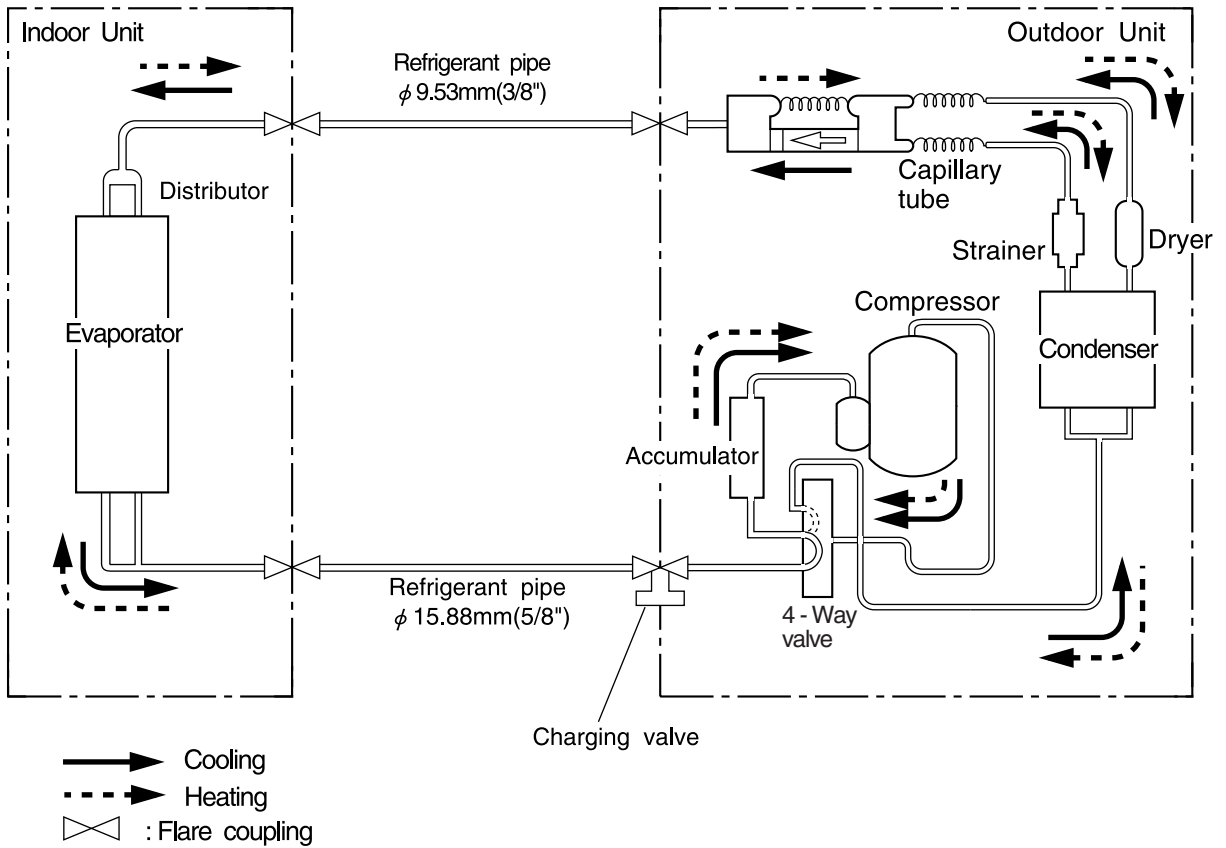


## OUTDOOR UNIT

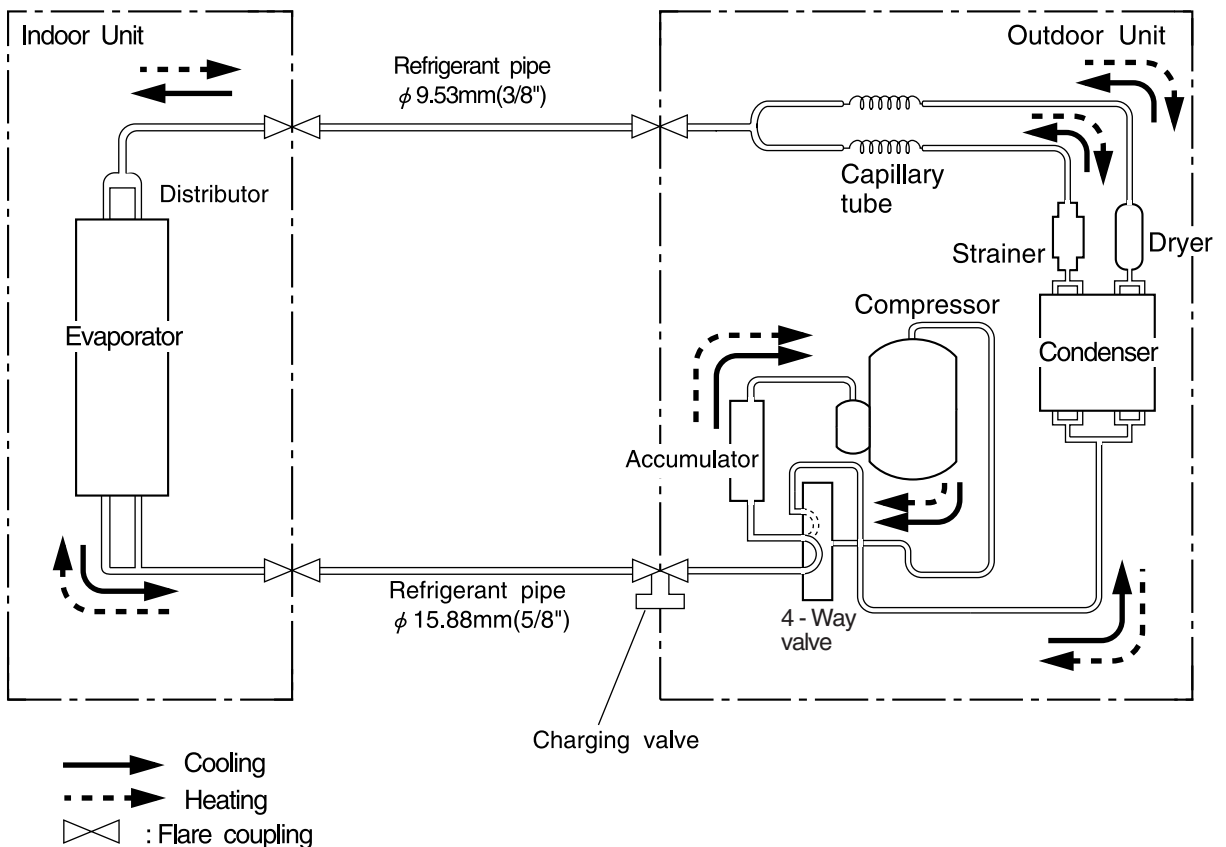


# REFRIGERANT SYSTEM DIAGRAM

Models : RSW-20RB / ROW-20RB

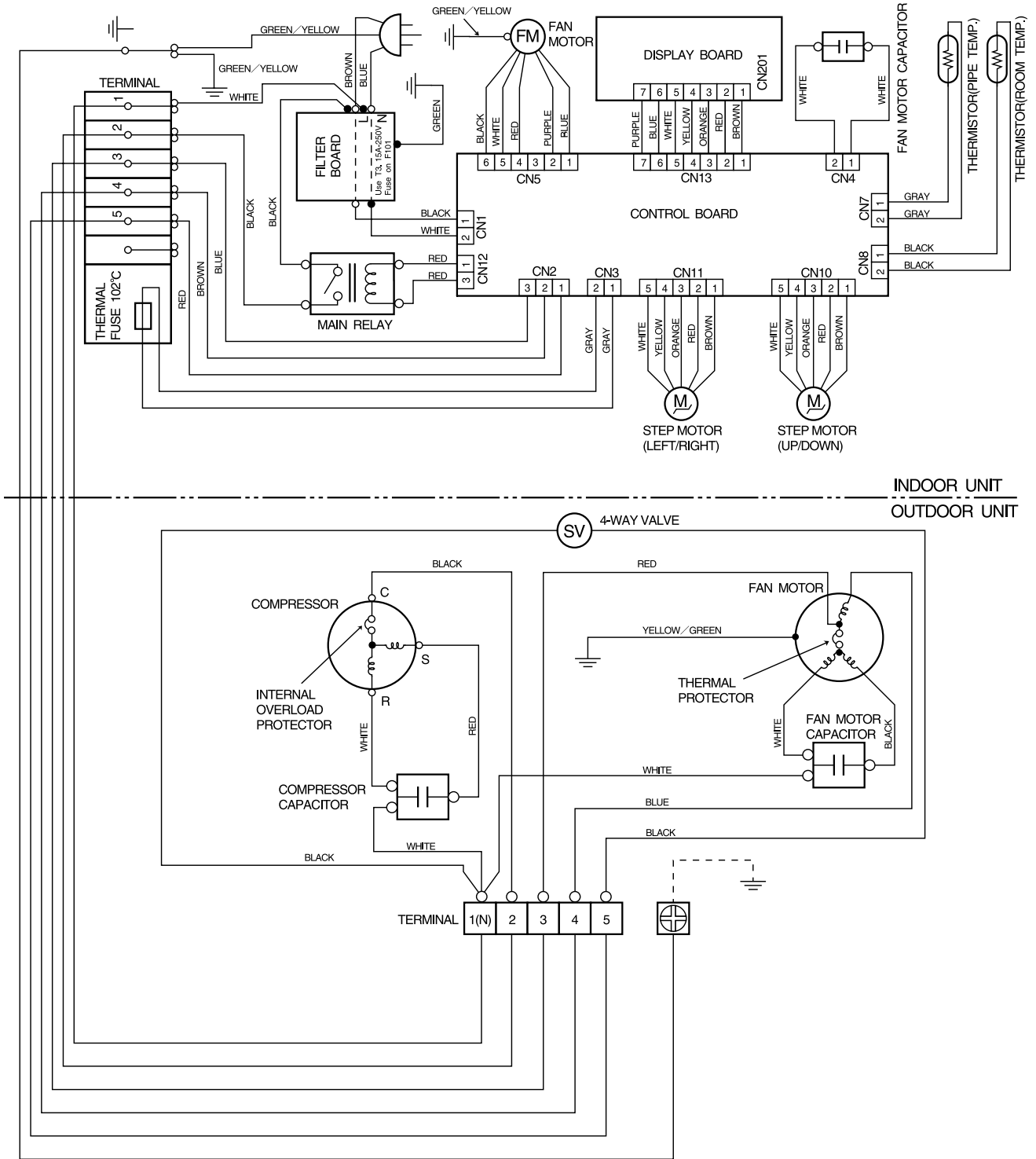


Models : RSW-24RD / ROW-24RD



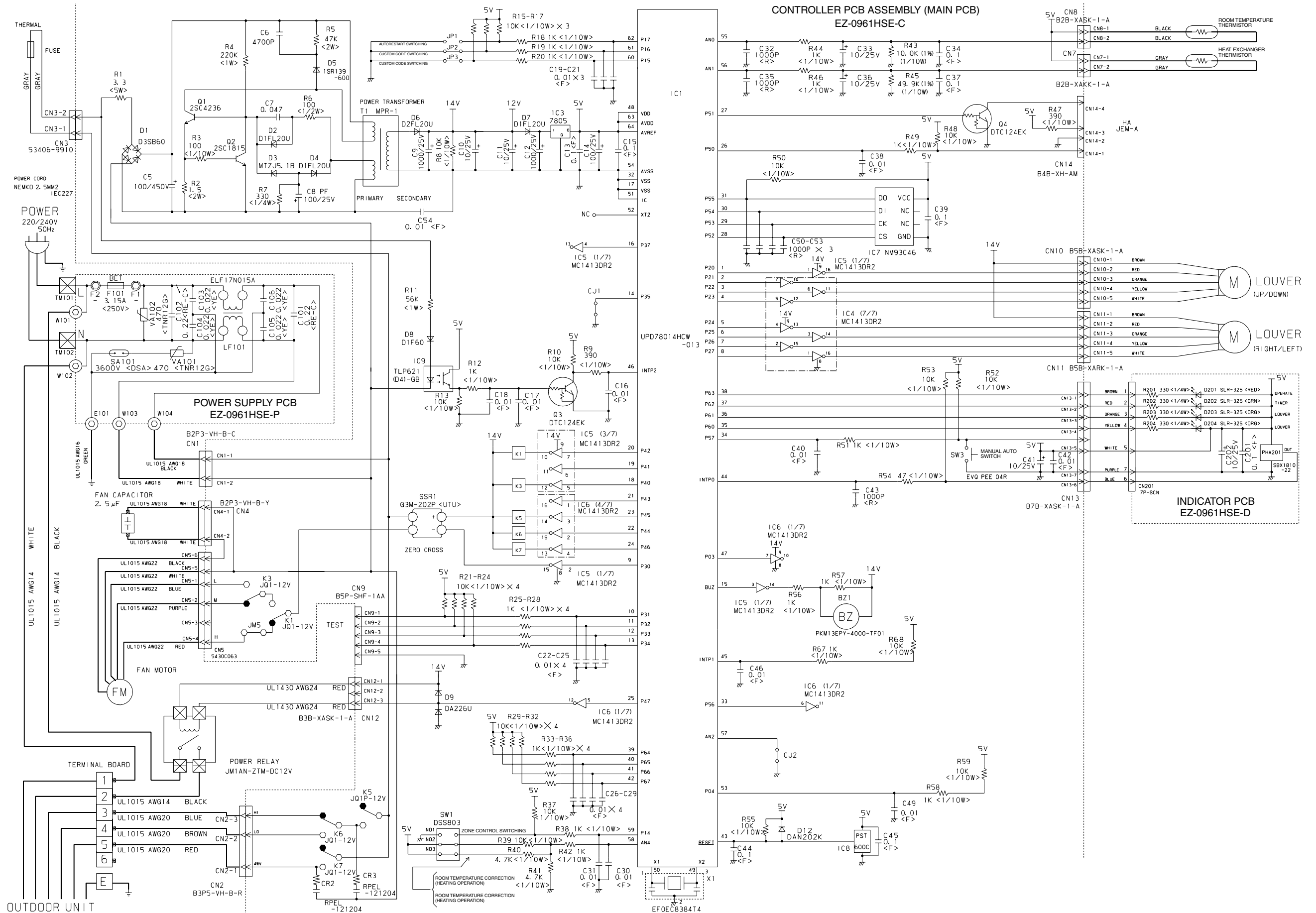
# CIRCUIT DIAGRAM

Models : RSW-20RB / ROW-20RB  
 RSW-24RD / ROW-24RD



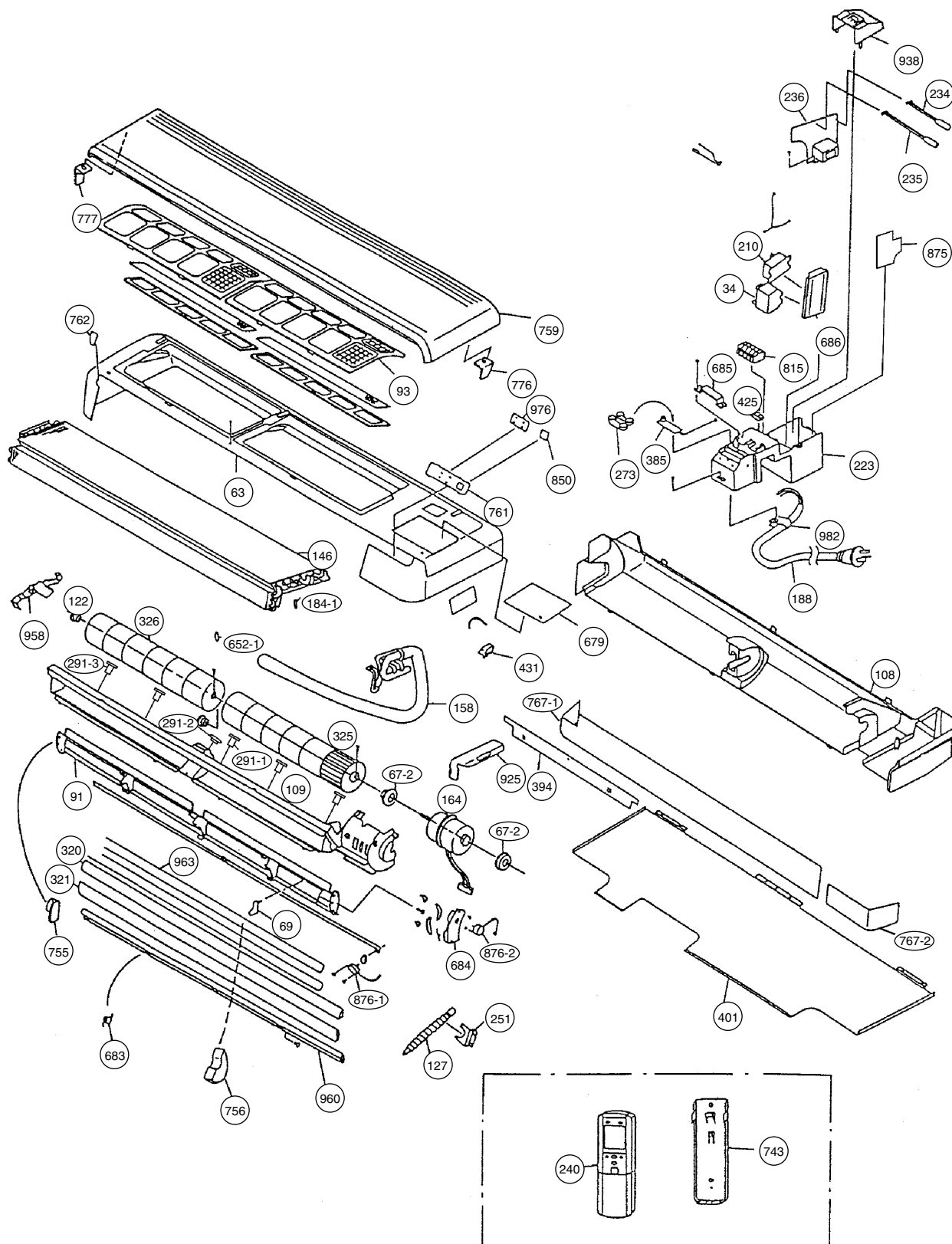
# INDOOR PRINTED CIRCUIT BOARD CIRCUIT DIAGRAM

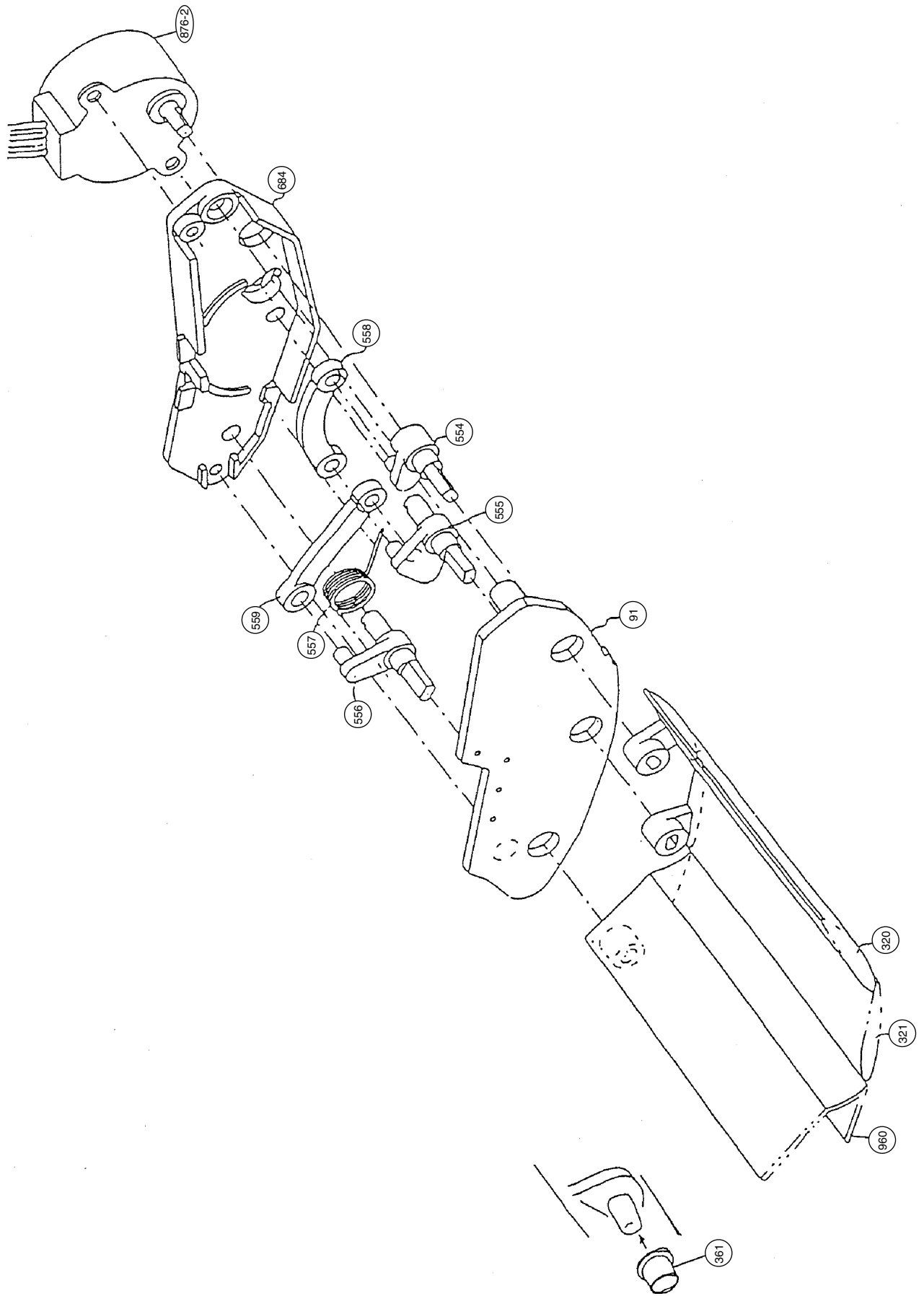
Models : RSW-20RB  
RSW-24RD



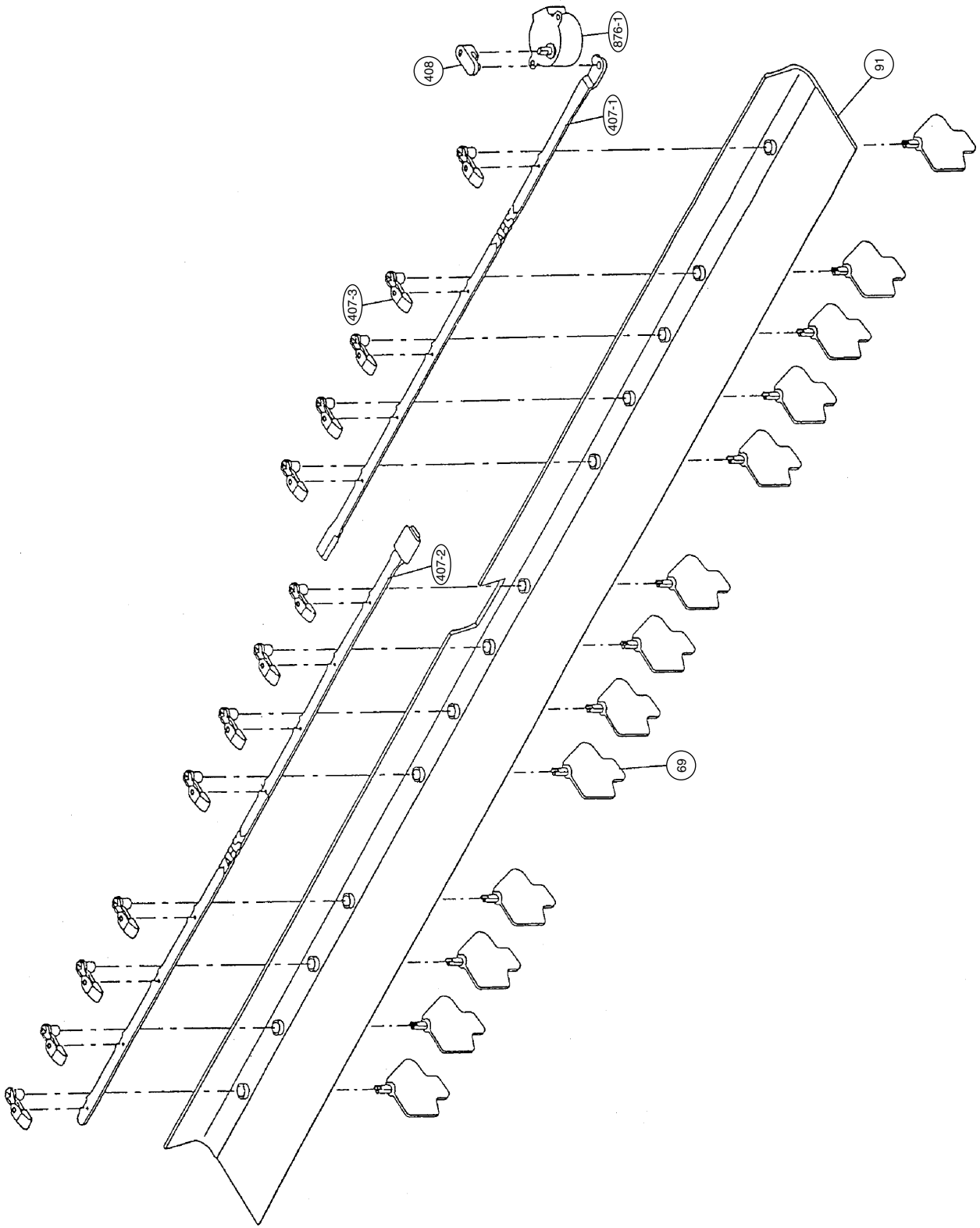
# DISASSEMBLY ILLUSTRATION

Models : RSW-20RB  
RSW-24RD

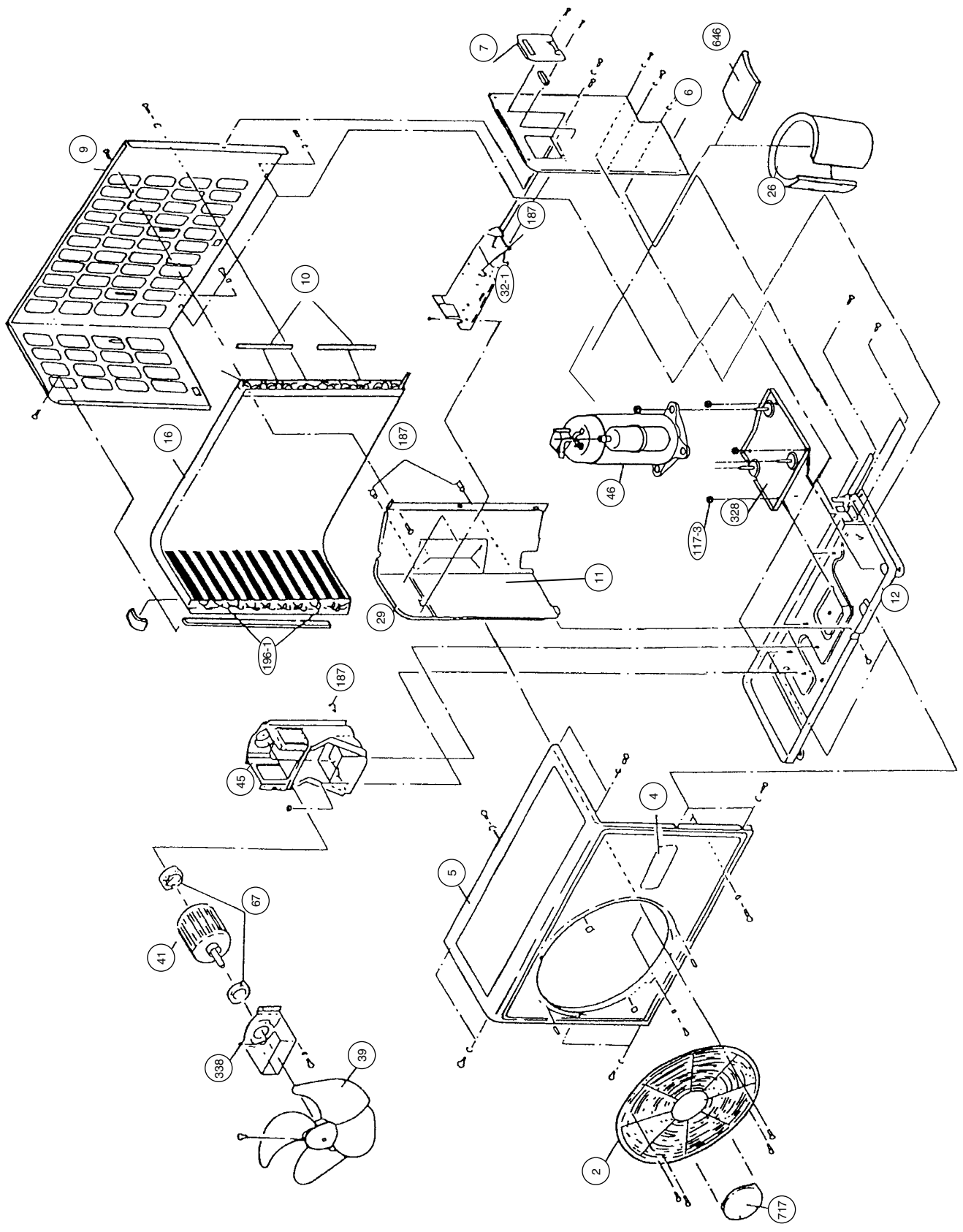


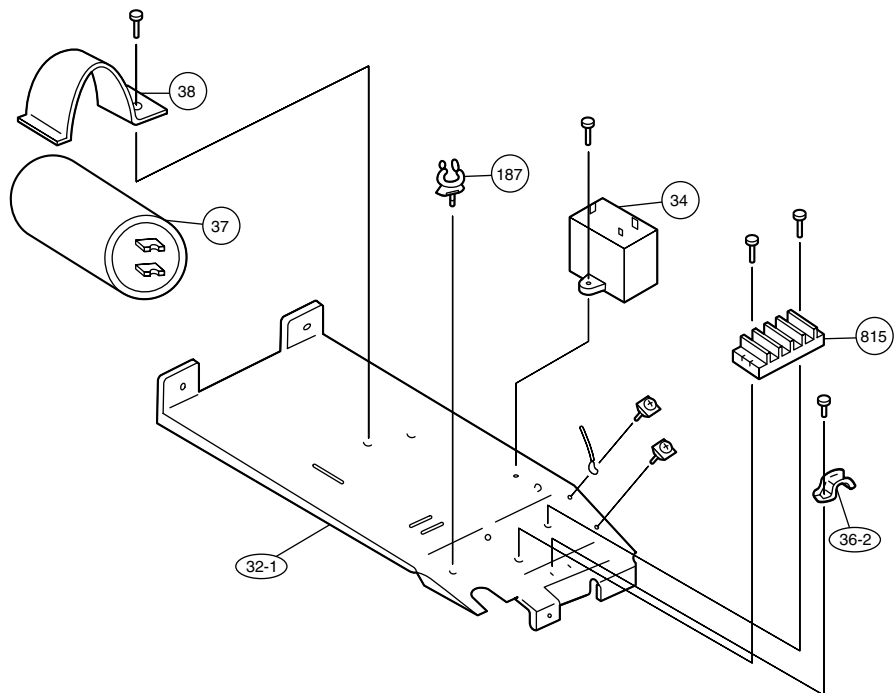
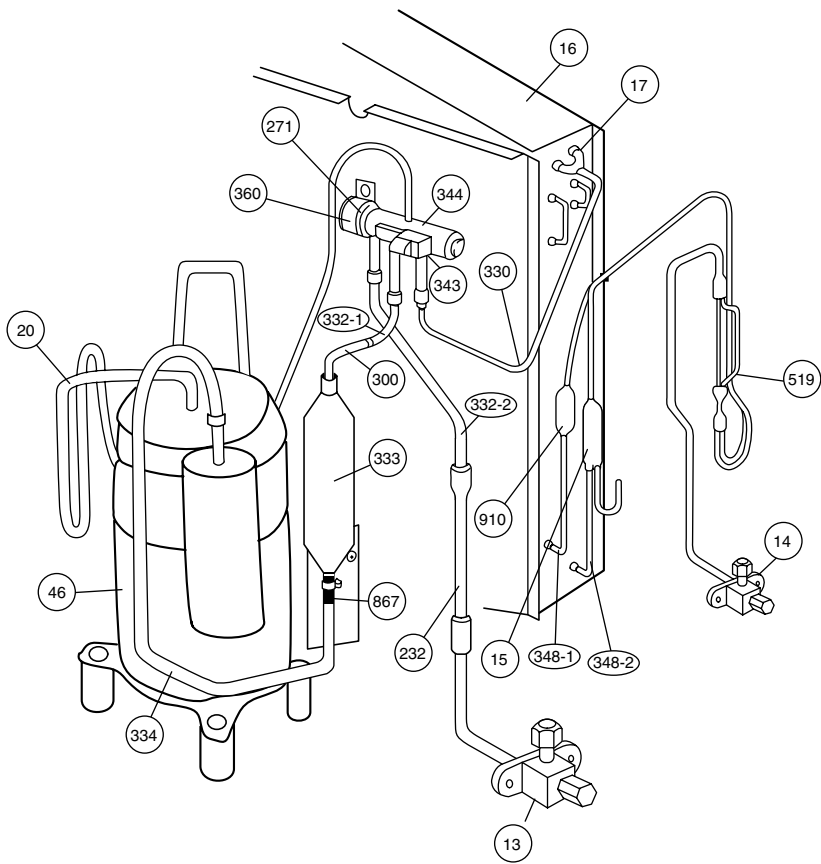




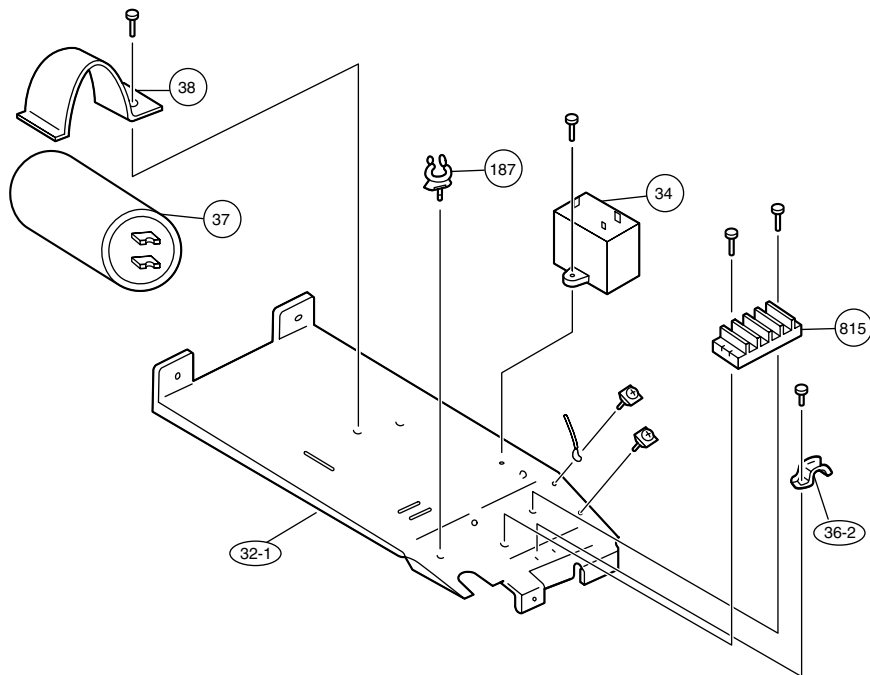
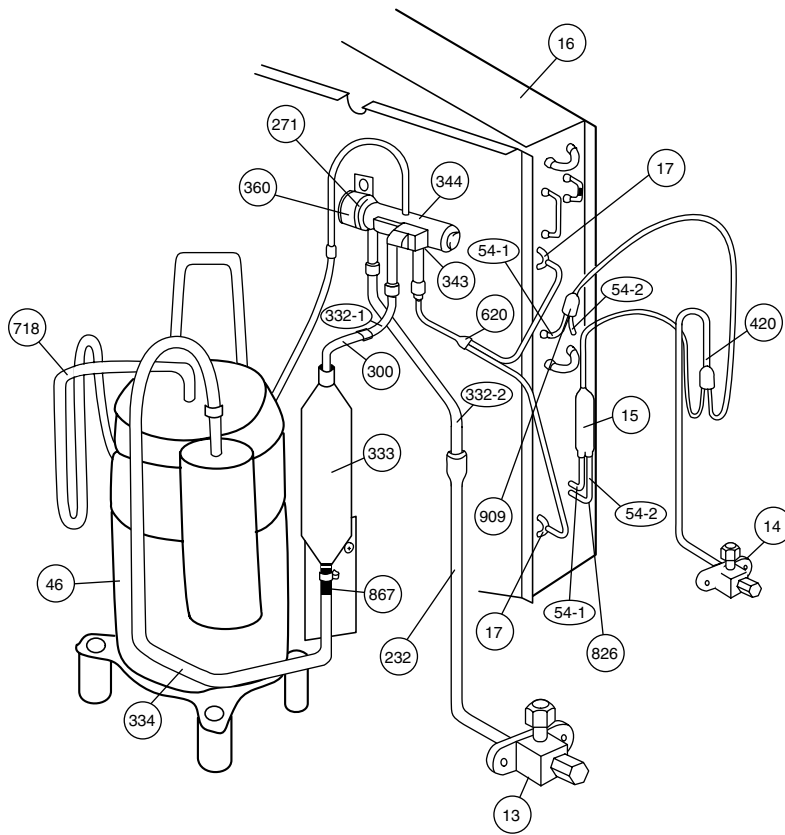


Models : ROW-20RB  
ROW-24RD



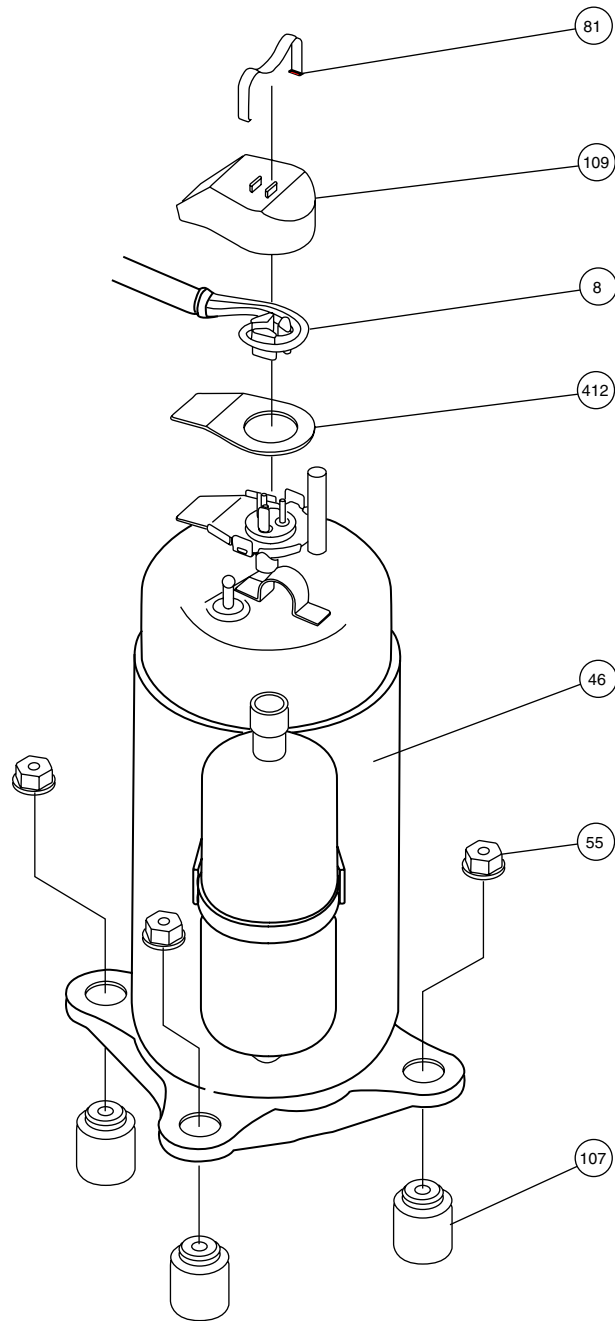


Model : ROW-24RD



Models : ROW-20RB  
ROW-24RD

---



# PARTS LIST

## INDOOR UNIT

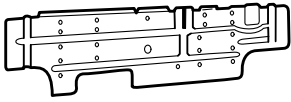
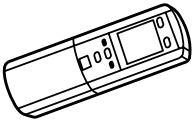
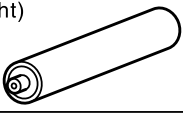
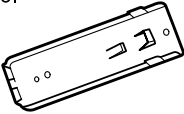
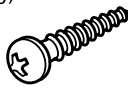

When you order parts, please make a photocopy of this page and fill the number of the parts in the "Order" column.

Ref. No.	Description	Part No.		Ord. Q'ty	Ref. No.	Description	Part No.		Ord. Q'ty
		RSW-20RB	RSW-24RD				RSW-20RB	RSW-24RD	
34	Capacitor(Fan Motor)	9700468073	9700468073		408	Louver Link	9357935003	9357935003	
63	Panel(Front) Total Assy	9358181041	9358181041		425	Earth Plate	9357957005	9357957005	
67-2	Rubber-B(Vibration-proof)	9366485018	9366485018		431	Fixture-A	313546156408	313546156408	
69	Louver	9357933016	9357933016		554	Flap Link-Upper	9357924007	9357924007	
91	Hinge Plate	9361281011	9361281011		555	Flap Link-Lower	9357925004	9357925004	
93	Air Filter	9364577012	9364577012		556	Diffuser Link	9357926001	9357926001	
108	Base	9357948010	9357948010		557	Diffuser Spring	9357947006	9357947006	
109	Casing	9361280014	9361280014		558	Rod-A	9357927008	9357927008	
122	Shaft Holder-B	9357921006	9357921006		559	Rod-B	9357928005	9357928005	
127	Drain Hose Assy	9364231006	9364231006		652-1	Thermistor Holder Pipe	313806262805	313806262805	
146	Evaporator Assy	9361995000	9361995000		679	Cover(Power)	9357916019	9357916019	
158	Joint Pipe Assy-E	9364296005	9364296005		683	Balance Spring	9358151006	9358151006	
164	Fan Motor Assy-In	9601016021	9601016014		684	Motor Base	9357929002	9357929002	
184-1	Thermistor Spring-A	313728262708	313728262708		685	Cover(Terminal)	9357955001	9357955001	
188	Power Cord Assy	9360713018	9360713018		686	Holder(Relay)	9357960005	9357960005	
210	Main Relay	9353611017	9353611017		743	Remote Control Unit Holder	9359955016	9359955016	
223	Control Box	9357953007	9357953007		755	Cover(Casing)-L	9363786019	9363786019	
234	Thermistor Assy-Room	9703299018	9703299018		756	Cover(Casing)-B	9363787016	9363787016	
235	Thermistor Assy-Pipe	9703297038	9703297038		759	Intake Grille-F	9359024019	9359024019	
236	Controller PCB Assy	9701941063	9701941018		761	Cover(Side)-R	9357901022	9357901022	
240	Remote Control Unit	9359913016	9359913016		762	Cover(Side)-L	9357902029	9357902029	
251	Bracket(Hose)-B	9362208017	9362208017		767-1	Bottom Cover-A	9357949017	9357949017	
273	Holder(Lamp)	9357958002	9357958002		767-2	Bottom Cover-B	9357950013	9357950013	
291-1	Casing Spacer-A	9364151007	9364151007		776	Hook(Grille)-R	9357986012	9357986012	
291-2	Casing Spacer-B	9364152004	9364152004		777	Hook(Grille)-L	9357985015	9357985015	
291-3	Casing Spacer-C	9364177007	9364177007		815	Terminal-6P	9357954004	9357954004	
320	Flap(Upper)-F	9357939025	9357939025		850	Receiver Window	9357917016	9357917016	
321	Flap(Lower)	9357940014	9357940014		875	Filter PCB Assy	9702017026	9702017026	
325	Cross Flow Fan-R Assy	9357918006	9357918006		876-1	Step Motor-H	9359763000	9359763000	
326	Cross Flow Fan-L Assy	9357919003	9357919003		876-2	Step Motor-V	9359762003	9359762003	
361	Bushing	9357942001	9357942001		925	Panel(Eva.Right)-B	9357909004	9357909004	
385	Indicator PCB Assy	9701869015	9701869015		938	Cover(Switch)	9357956015	9357956015	
394	Bracket, Panel(Pipe)	9357951003	9357951003		958	Bracket, Panel(Eva.)	9358626009	9358626009	
401	Bracket, Panel	9357952000	9357952000		960	Diffuser	9357941011	9357941011	
407-1	Motor Rod	9357931005	9357931005		963	Fan Guard	9357936000	9357936000	
407-2	Louver Rod	9357932002	9357932002		976	Display Window	9357903019	9357903019	
407-3	Louver Stopper	9357934006	9357934006		982	Cord Clamp	9357886008	9357886008	


OUTDOOR UNIT

Ref. No.	Description	Part No.	Ord. Q'ty	Ref. No.	Description	Part No.	Ord. Q'ty
		ROW-20RB				ROW-24RD	
2	Fan Cover "FUJITSU"	9350214020		2	Fan Cover "FUJITSU"	9350214020	
4	Emblem-Rear	9361328006		4	Emblem-Rear	9361328006	
5	Cabinet-A, Painted	9303876015		5	Cabinet-A, Painted	9303876015	
6	Cabinet-C, Painted	9353549013		6	Cabinet-C, Painted	9353549013	
7	Connector Cover	9358011010		7	Connector Cover	9358011010	
8	Shield Tube Assy-D	9359904052		8	Shield Tube Assy-D	9359904052	
9	Cabinet-B, Painted	9303874011		9	Cabinet-B, Painted	9303874011	
10	Noise Insulation-E	313791106305		10	Noise Insulation-E	313791106305	
				11	Noise Insulation-B	313791106100	
12	Base Assy, Painted	9353452054		12	Base Assy, Painted	9353452061	
13	3-Way Valve Assy	9364523002		13	3-Way Valve Assy	9364523002	
14	2-Way Valve Assy	9365021002		14	2-Way Valve Assy	9365021002	
15	Dryer	9353789006		15	Dryer	9365109014	
16	Condenser Assy	9353455048		16	Condenser Assy	9363794014	
17	"U" Pipe-Y	313728127102		17	"U" Pipe-Y	9305523009	
20	Discharge Pipe	9367136001					
26	Compressor Cover	9367296002		26	Compressor Cover	9367134007	
29	Separate Wall	313986033213		29	Separate Wall	313986033213	
32-1	Control Box Metal-A	9353595003		32-1	Control Box Metal-A	9353595003	
34	Capacitor(Fan Motor)	9357965024		34	Capacitor(Fan Motor)	9357965024	
36-2	Cord Holder Metal	9356362008		36-2	Cord Holder Metal	9356362008	
37	Running Capacitor	9703107153		37	Running Capacitor	9703107122	
38	Capacitor Clamp Metal	9351770013		38	Capacitor Clamp Metal	9351770013	
39	Propeller Fan	9300855013		39	Propeller Fan	9300855013	
41	Fan Motor Assy-Out	9600738047		41	Fan Motor Assy-Out	9600738047	
45	Motor fixing Table Assy	313029311100		45	Motor fixing Table Assy	313029311100	
46	Compressor Assy	9361733000		46	Compressor Assy	9367112005	
				54-1	Outlet Pipe-A	9365391014	
				54-2	Outlet Pipe (Cond.)-B	9365391068	
55	Special Nut M8	9355091008		55	Special Nut M8	9355091008	
67	Rubber (Vibration-proof)	313659068604		67	Rubber (Vibration-proof)	313659068604	
81	Strap	9362371001		81	Strap	9362371001	
107	Rubber Seat-A(For Comp.)	9362368001		107	Rubber Seat-A(For Comp.)	9362368001	
109	Terminal Cover(For Comp.)	9362369008		109	Terminal Cover(For Comp.)	9362369008	
117-3	Hex. Nut w/Spring Washer	301721180114		117-3	Hex. Nut w/Spring Washer	301721180114	
187	Clamp No. 1219	313361271706		187	Clamp No. 1219	313361271706	
196-1	Clamp SKB-3M	312300787605					
232	Joint Pipe	9365312032		232	Joint Pipe	9365312032	
271	Rubber(4-Way Valve)	313728251908		271	Rubber(4-Way Valve)	313728251908	
300	Suction Pipe-C	9367138005		300	Suction Pipe-C	9367125005	
328	Compressor Plate Assy	9367128020		328	Compressor Plate Assy	9367128013	
330	Inlet Pipe-A Assy	9366859017					
332-1	Suction Pipe-D	9367135004		332-1	Suction Pipe-D	9367126002	
332-2	Suction Pipe-E	9350600007		332-2	Suction Pipe-E	9350600007	
333	Accumulator	9350363018		333	Accumulator	313986117201	
334	Suction Pipe-B	9367137008		334	Suction Pipe-B	9367124008	
335	Insulation(Accumulator)	313681188608		335	Insulation(Accumulator)	313681188608	
338	Motor Fixture Metal	313029297108		338	Motor Fixture Metal	313029297108	
343	Solenoid Coil	9359616092		343	Solenoid Coil	9359616092	
344	4-Way Valve	313943302804		344	4-Way Valve	9300604017	
348-1	Outlet Pipe-B	9365391020					
348-2	Outlet Pipe-A	9365391075					
360	4-Way Valve Band	313986251802		360	4-Way Valve Band	313986251802	
412	Terminal Gasket (For Comp.)	9362370004		412	Terminal Gasket (For Comp.)	9362370004	
				420	Capillary Assy	9367121007	
519	Restrictor Valve Assy	9365392058					
646	Compressor Cover-B	9367297009		717	Center Plate	9351253011	
717	Center Plate	9351253011		718	Discharge Pipe-C	9367123001	
815	Terminal-5P	9356497021		815	Terminal-5P	9356497021	
867	Accumulator Holder Rubber	9354022027		867	Accumulator Holder Rubber	9354022010	
910	Strainer-B	9365099018		909	Strainer-A	9365112014	

## INDOOR UNIT ACCESSORIES

Name and Shape	Part number
Wall hook bracket 	9357952000
Remote control unit 	9359913016
Battery (penlight) 	0600185534
Remote control unit holder 	9359955016
Tapping screw (big) ( $\phi$ 4 x 20) 	301141164200
Tapping screw (small) ( $\phi$ 3 x 12) 	301141533125

## OUTDOOR UNIT ACCESSORIES

Name and Shape	Part number
Hexagon wrench 	9351228019



