



**SPLIT TYPE
ROOM AIR CONDITIONER
WALL MOUNTED type**

**SERVICE
MANUAL**



Models

Indoor unit	Outdoor unit
RSA30LCC	ROR30LCT

CONTENTS

SPECIFICATIONS	1
DIMENSIONS	2
REFRIGERANT SYSTEM DIAGRAM	4
CIRCUIT DIAGRAM	5
INDOOR PCB CIRCUIT DIAGRAM	6
OUTDOOR PCB CIRCUIT DIAGRAM ...	9
ERROR CONTENTS	14
DISASSEMBLY ILLUSTRATION	15
PARTS LIST	23
STANDARD ACCESSORIES	25

SPECIFICATIONS

TYPE	COOL & HEAT INVERTER
INDOOR UNIT	RSA30LCC
OUTDOOR UNIT	ROR30LCT
COOLING CAPACITY	8.00 kW
HEATING CAPACITY	9.00 kW

ELECTRICAL DATA

POWER SOURCE	230 V	
FREQUENCY	50 Hz	
RUNNING CURRENT	COOLING	11.7 A
	HEATING	11.6 A
INPUT WATTS	COOLING	2.66 kW
	HEATING	2.64 kW
E.E.R.	COOLING	3.01 kW/kW
COP	HEATING	3.41 kW/kW
MOISTURE REMOVAL	3.4 L/hr	
AIR CIRCULATION-High	1,100 m ³ /hr	

COMPRESSOR

TYPE	Hermetic type, 4 pole, DC inverter motor, Rotary
DISCRIMINATION	5KD240XAD21
REFRIGERANT	R410A 2,100 g

FAN MOTOR

POWER SOURCE	230 V	
INDOOR UNIT	HIGH-SPEED	1,330 r.p.m.
	MED-SPEED	1,120 r.p.m.
	LOW-SPEED	940 r.p.m.
	QUIET	830 r.p.m.
OUTDOOR UNIT	Cool	850 r.p.m.
	Heat	900 r.p.m.

DIMENSIONS

INDOOR UNIT	H x W x D	320 x 998 x 228 mm
OUTDOOR UNIT	H x W x D	830 x 900 x 330 mm

WEIGHT

INDOOR UNIT	GROSS / NET	18 kg / 14 kg
OUTDOOR UNIT	GROSS / NET	70 kg / 62 kg

NOISE LEVEL

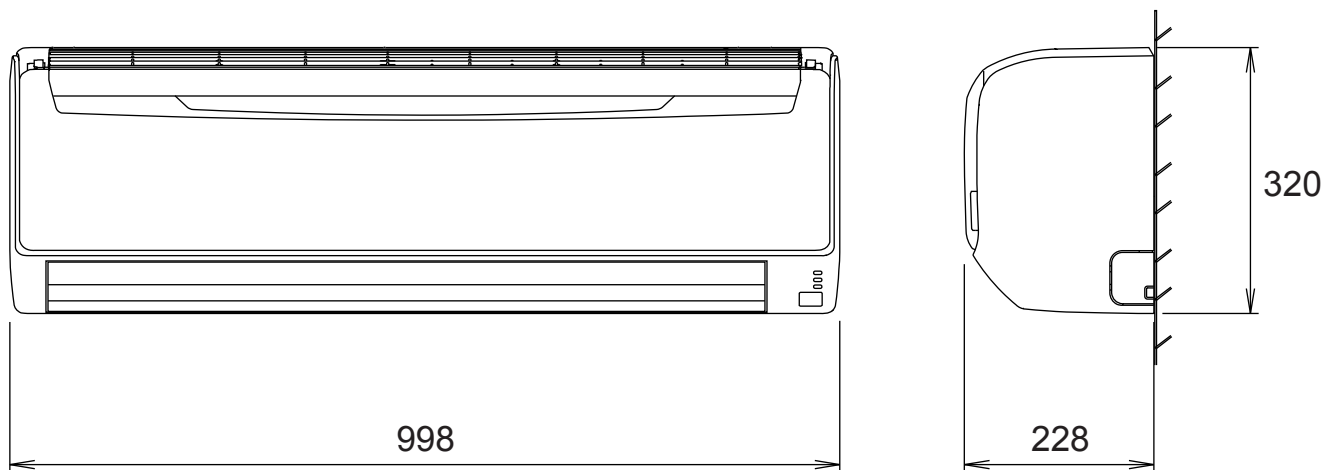
INDOOR UNIT	Cool 47 dB / Heat 45 dB
OUTDOOR UNIT	Cool 53 dB / Heat 55 dB

REFRIGERANT (R410A)

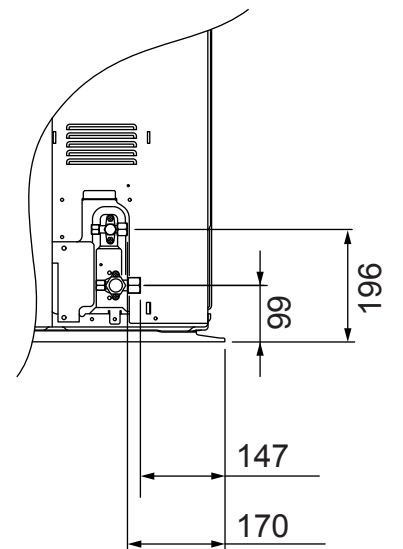
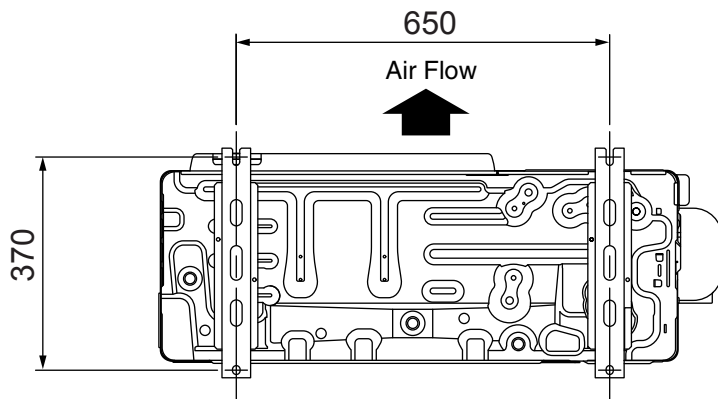
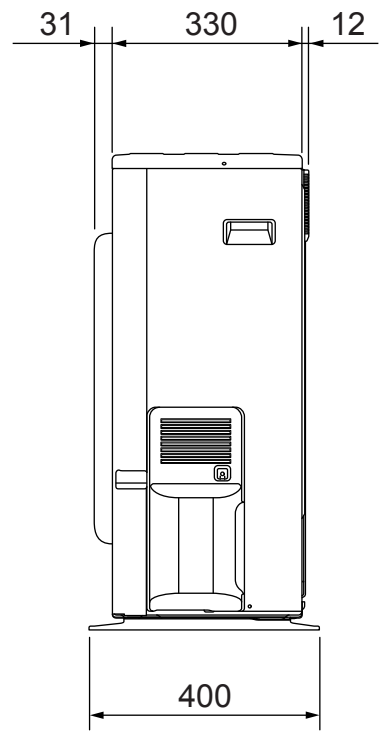
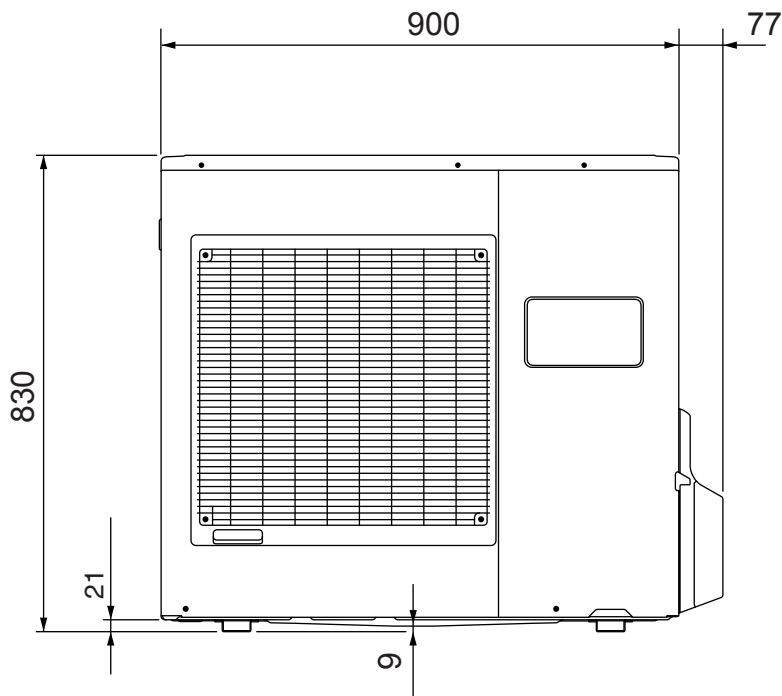
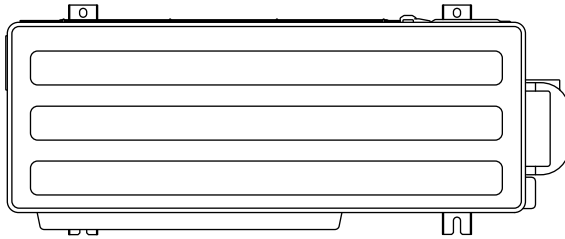
FULL CHARGE AMOUNT	PIPE LENGTH 20 m	2,100 g
	50 m	3,300 g
ADDITIONAL REFRIGERANT	40 g / m	

OUTLINE AND DIMENSIONS

INDOOR UNIT
Model : RSA30LCC
(unit : mm)

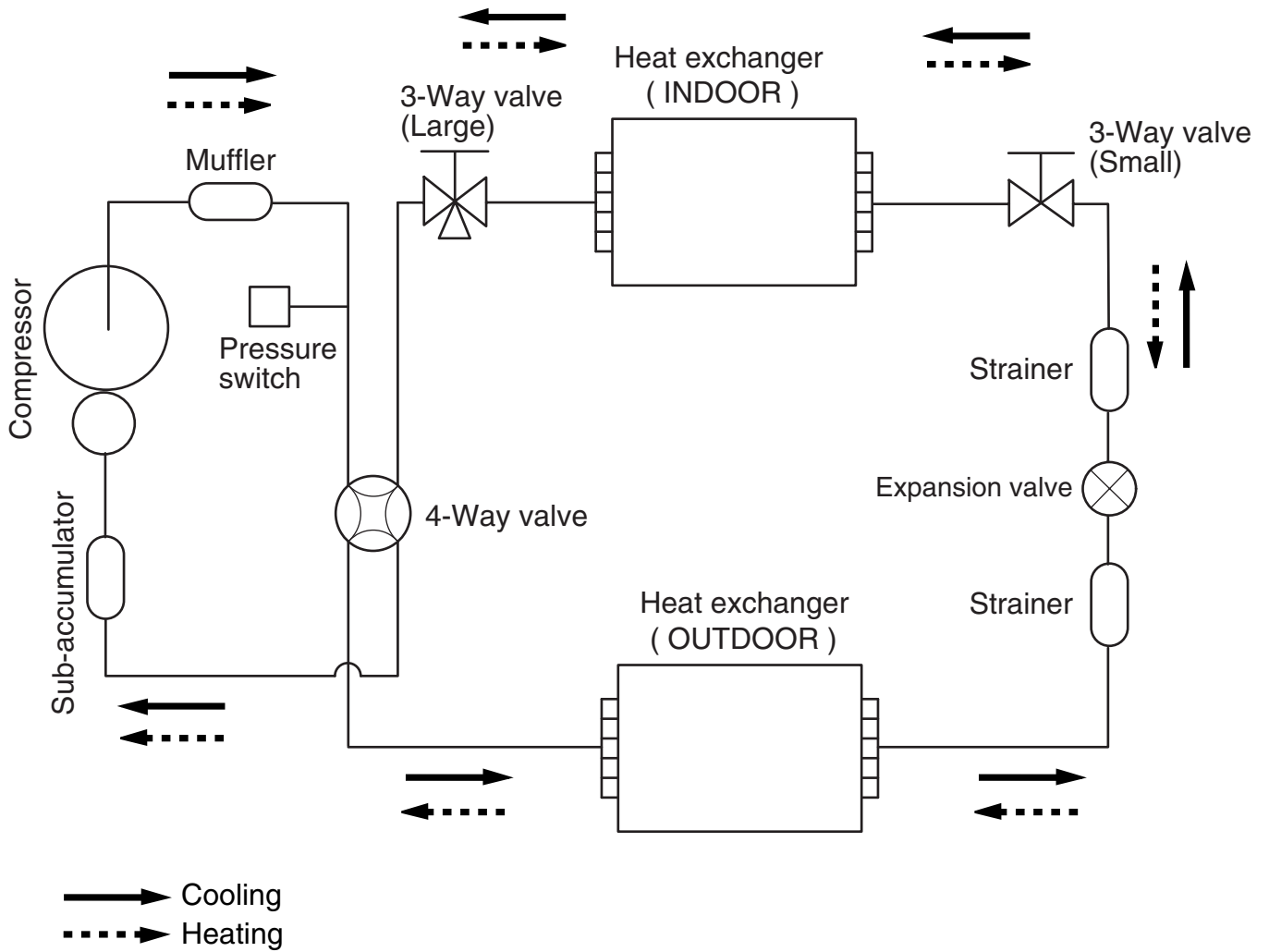


OUTDOOR UNIT
 Model : ROR30LCT
 (unit : mm)



REFRIGERANT SYSTEM DIAGRAM

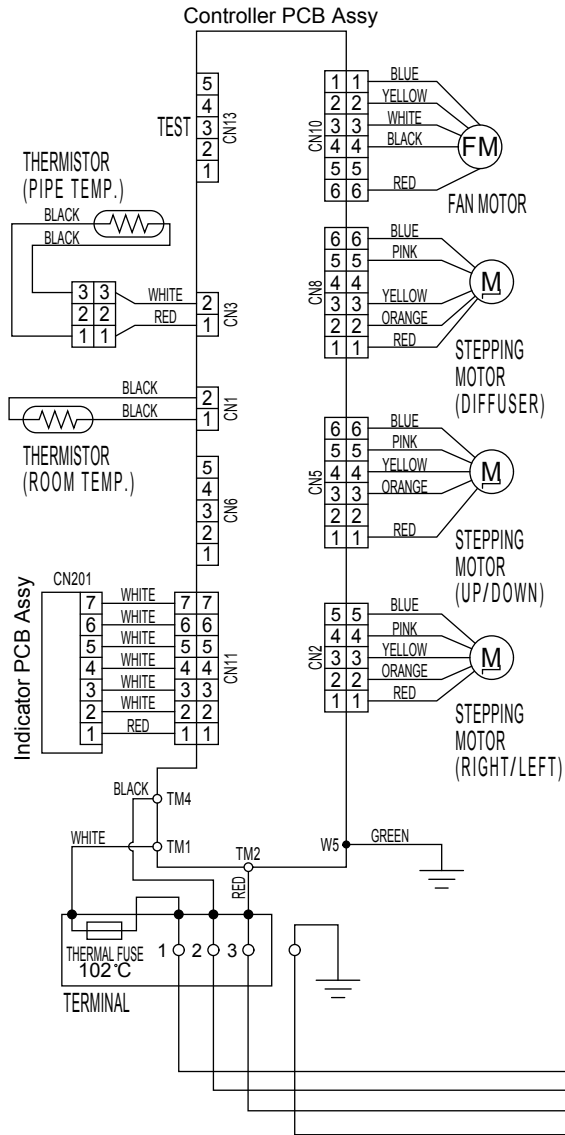
Models : RSA30LCC / ROR30LCT



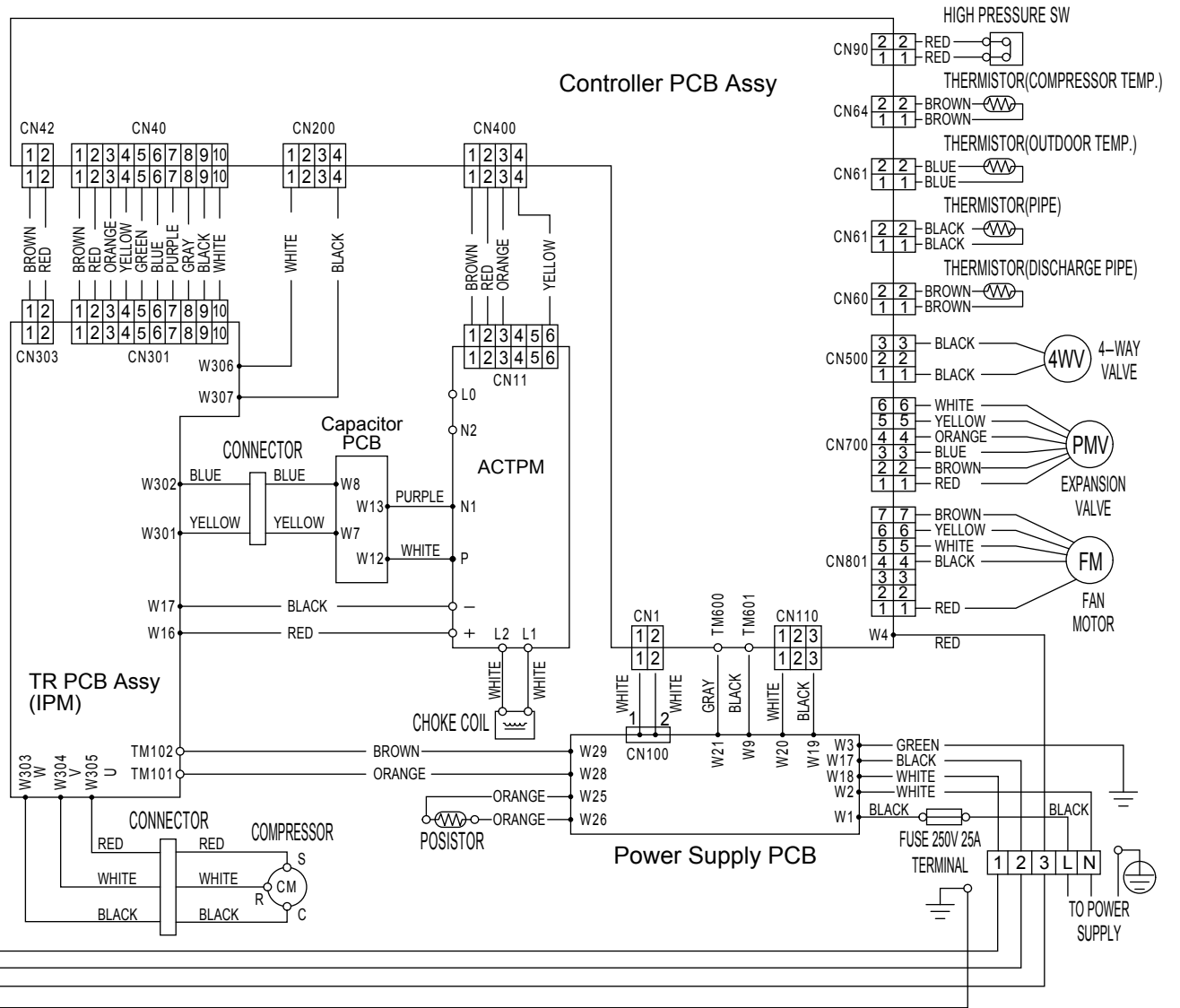
Refrigerant pipe diameter
 Liquid : 3/8" (9.52 mm)
 Gas : 5/8" (15.88 mm)

CIRCUIT DIAGRAM

INDOOR UNIT

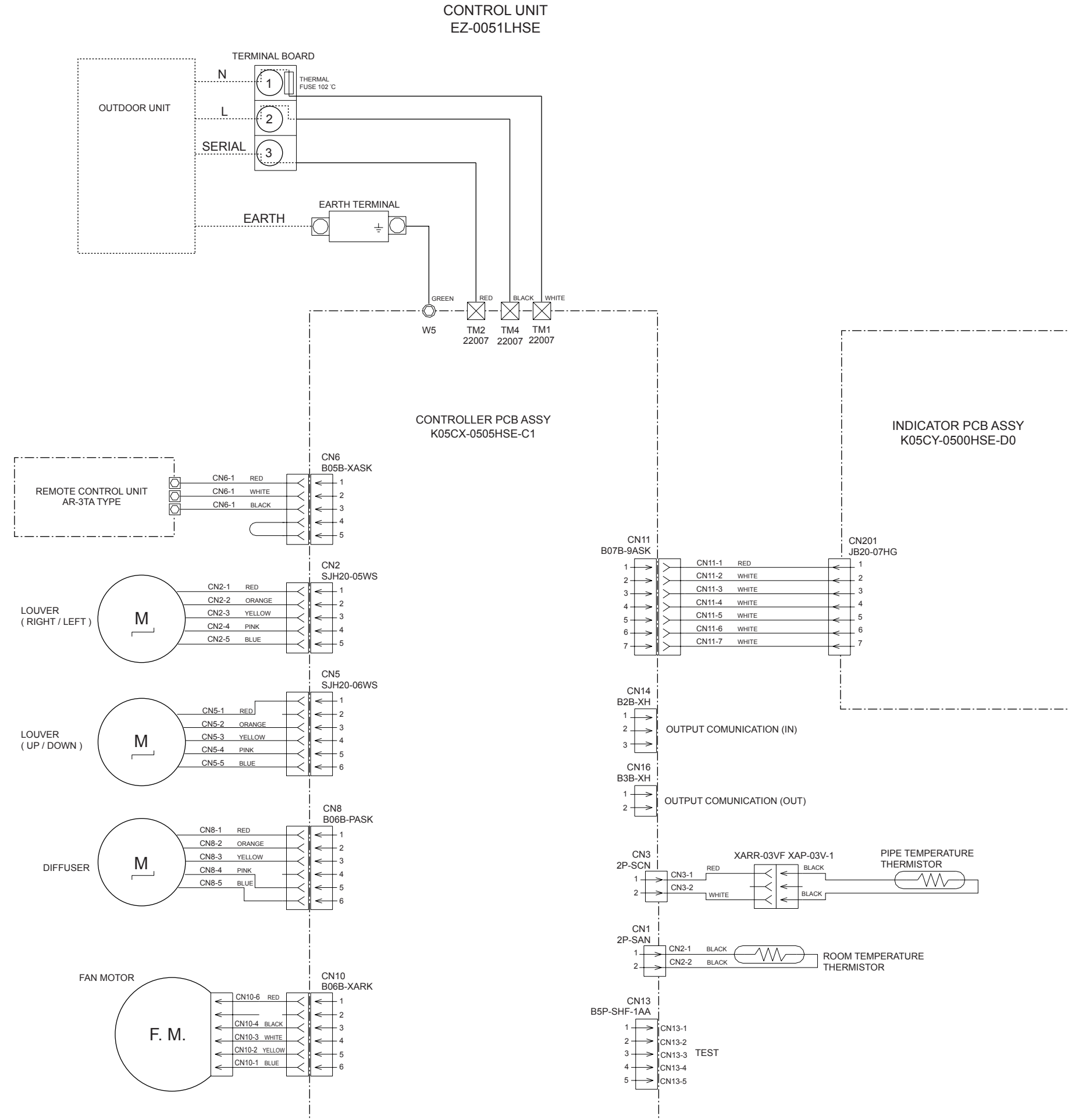


OUTDOOR UNIT



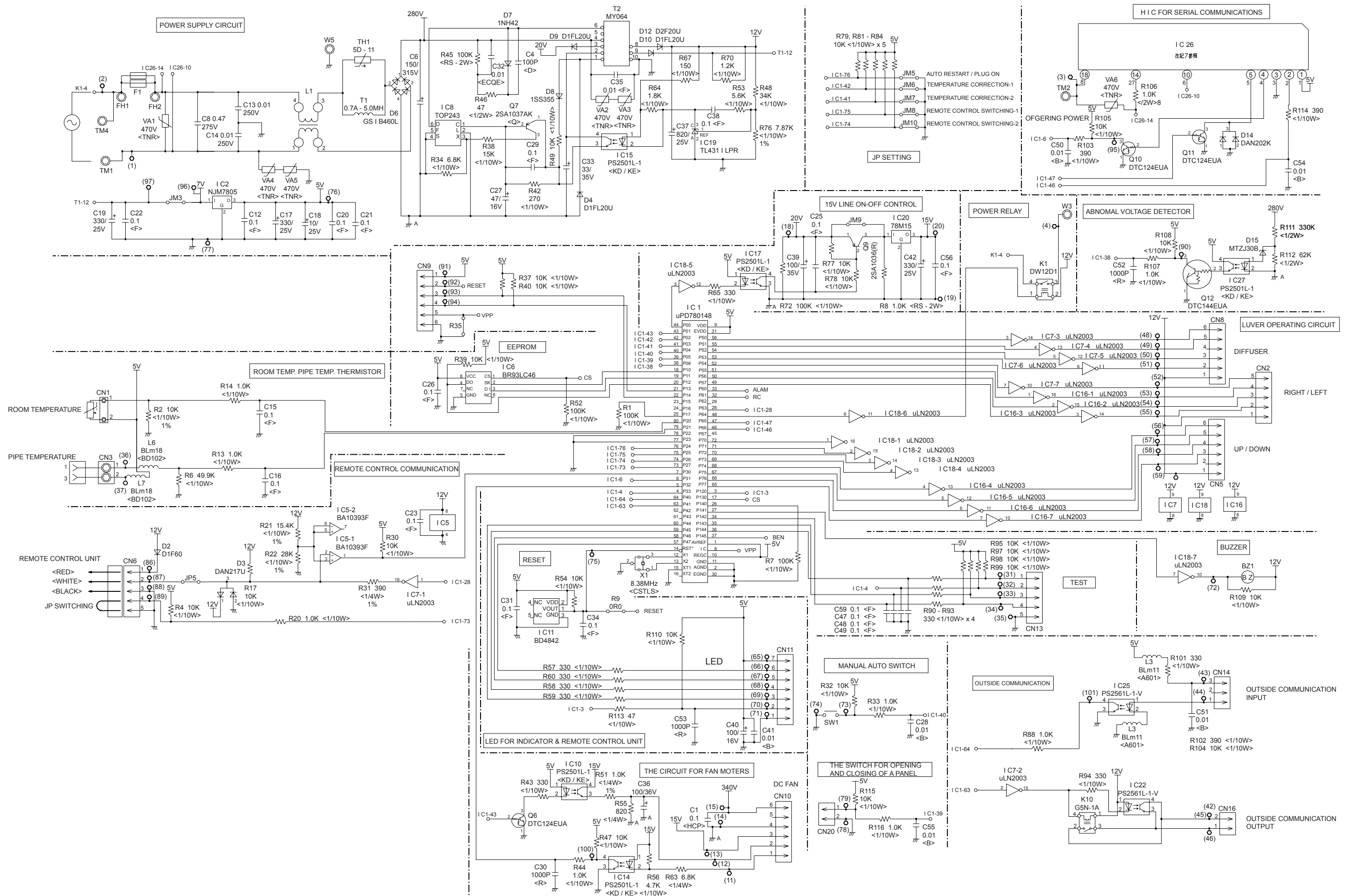
INDOOR PCB CIRCUIT DIAGRAM

Model : RSA30LCC



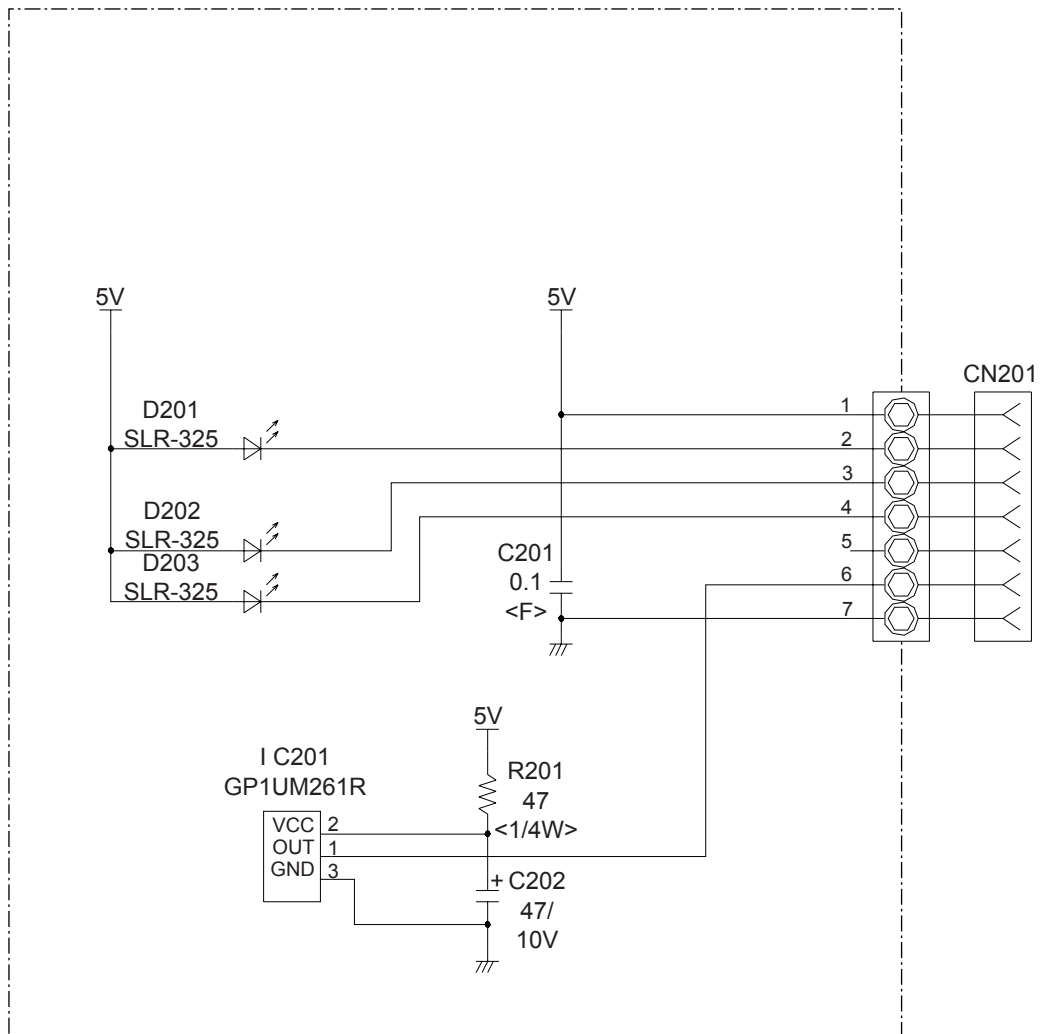
CONTROLLER PCB ASSY
K05CX-0505HSE-C1

Model : RSA30LCC



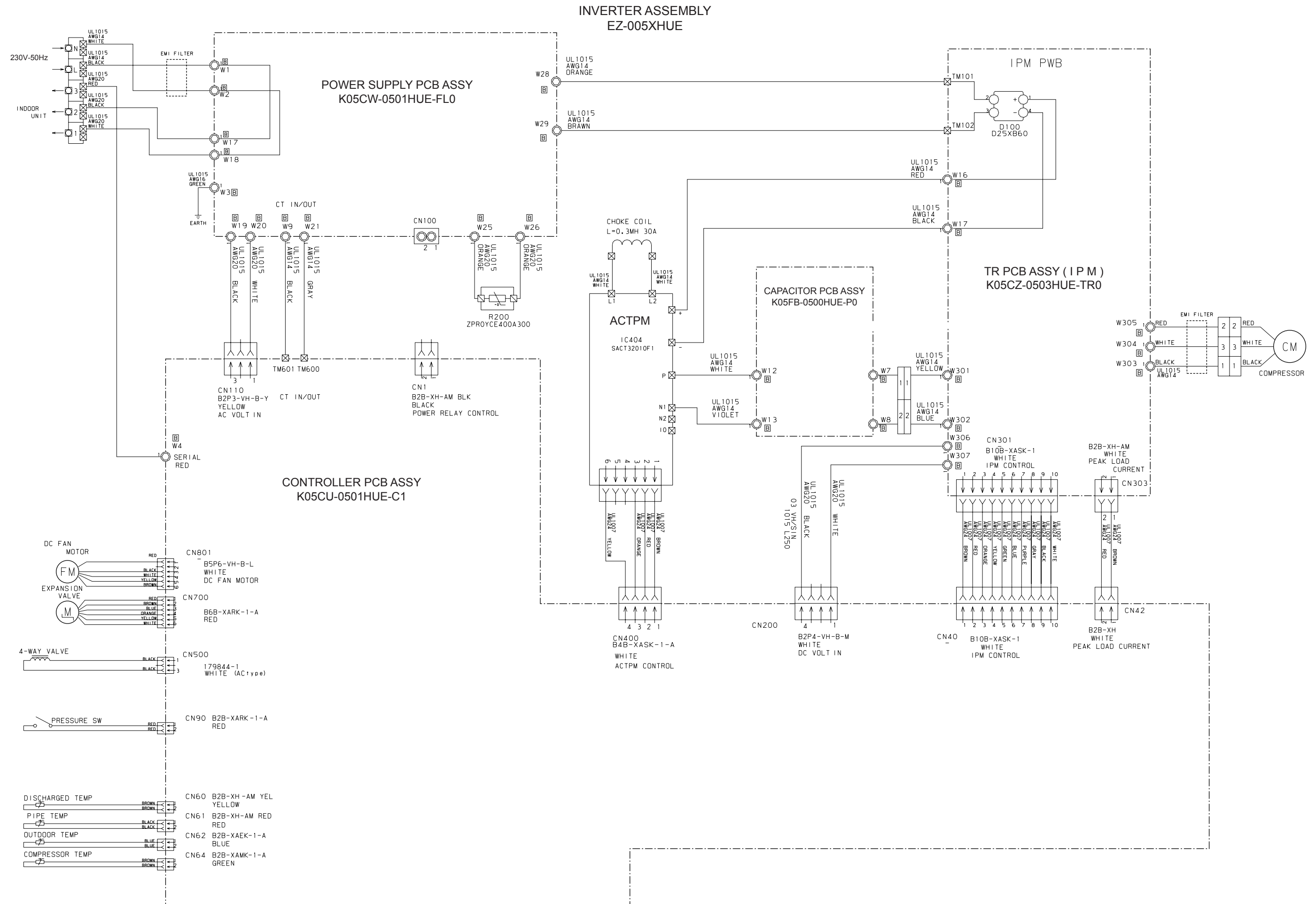
Model : RSA30LCC

INDICATOR PCB ASSY K05CY-0500HSE-D0



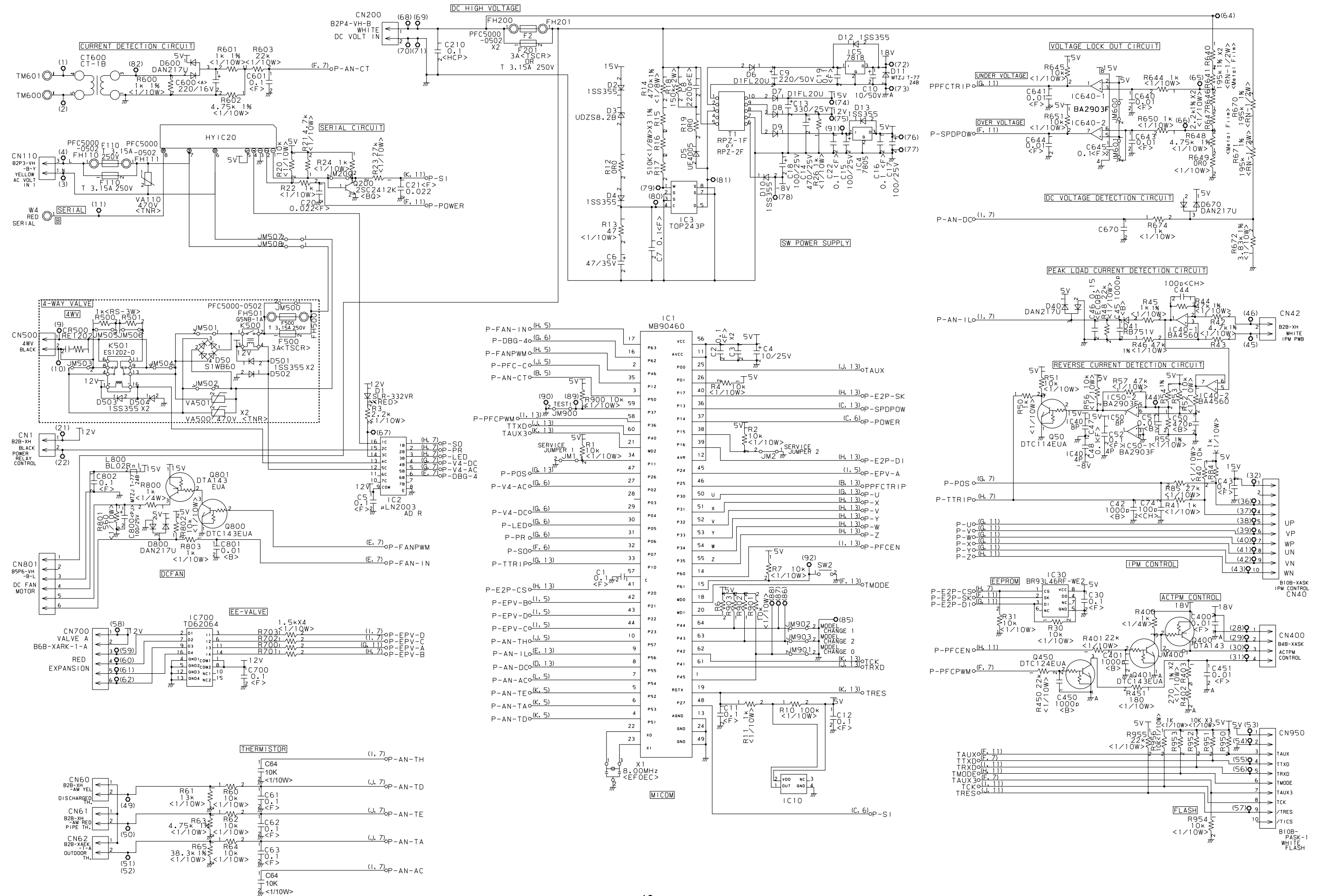
OUTDOOR PCB CIRCUIT DIAGRAM

Model : ROR30LCT

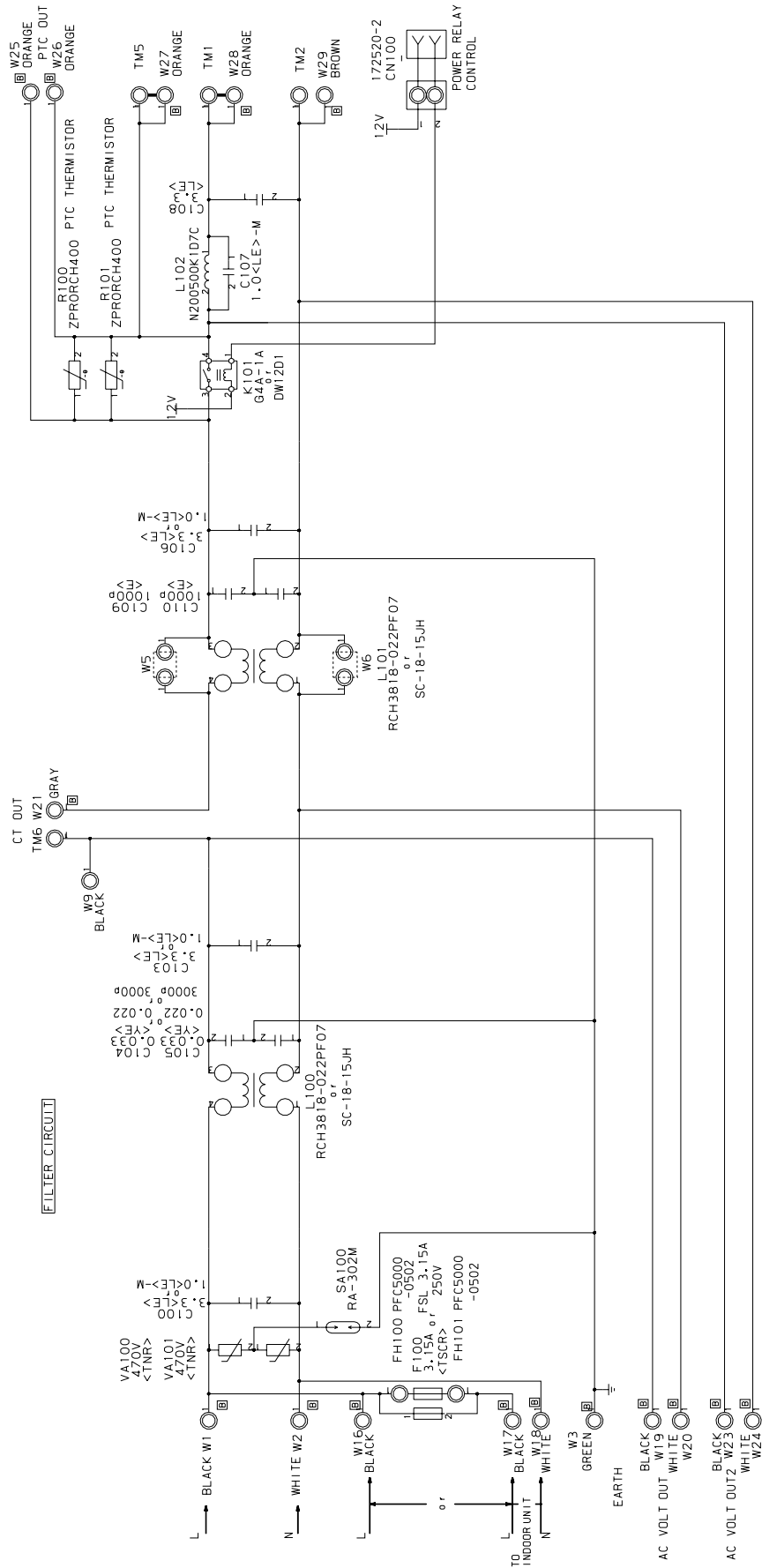


CONTROLLER PCB ASSY
K05CU-0501HUE-C1

Model : ROR30LCT

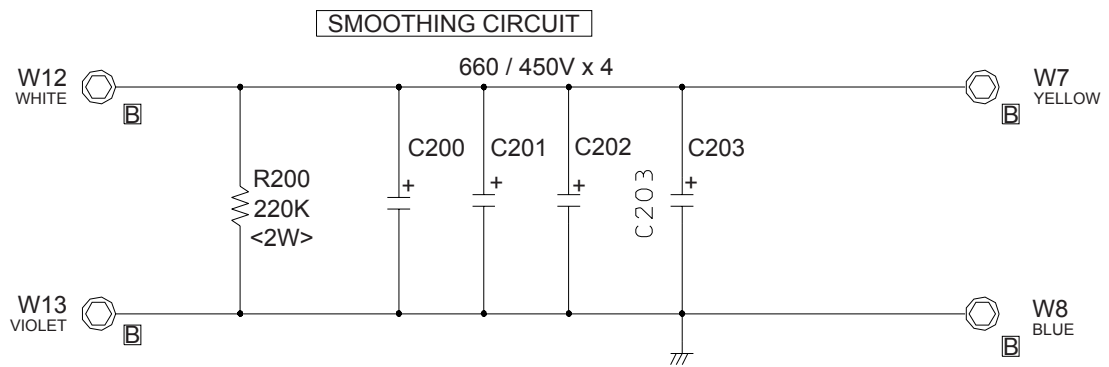


POWER SUPPLY PCB
K05CW-0501HUE-FL0



Model : ROR30LCT

CAPACITOR PCB ASSEMBLY K05FB-0500HUE-P0

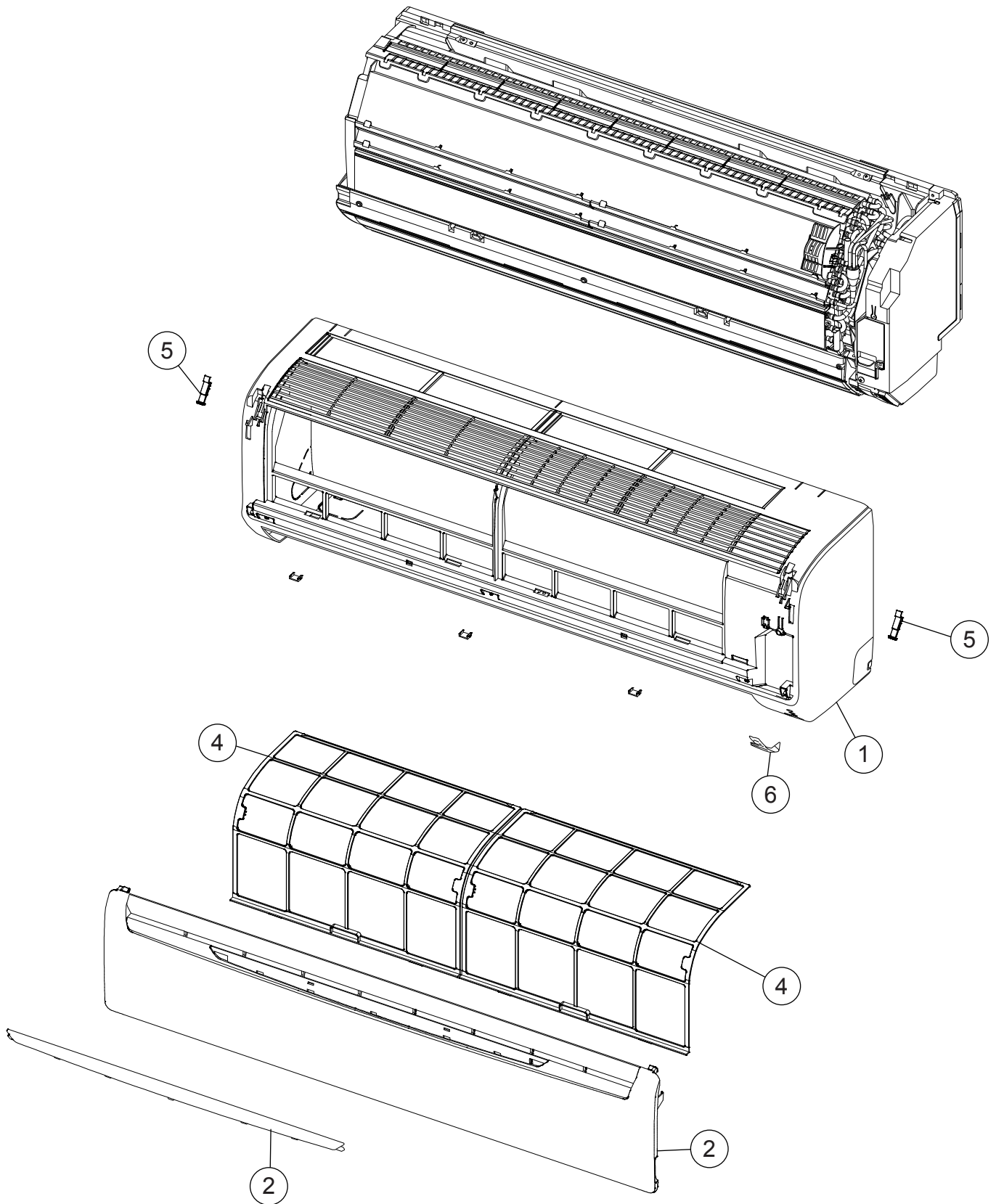


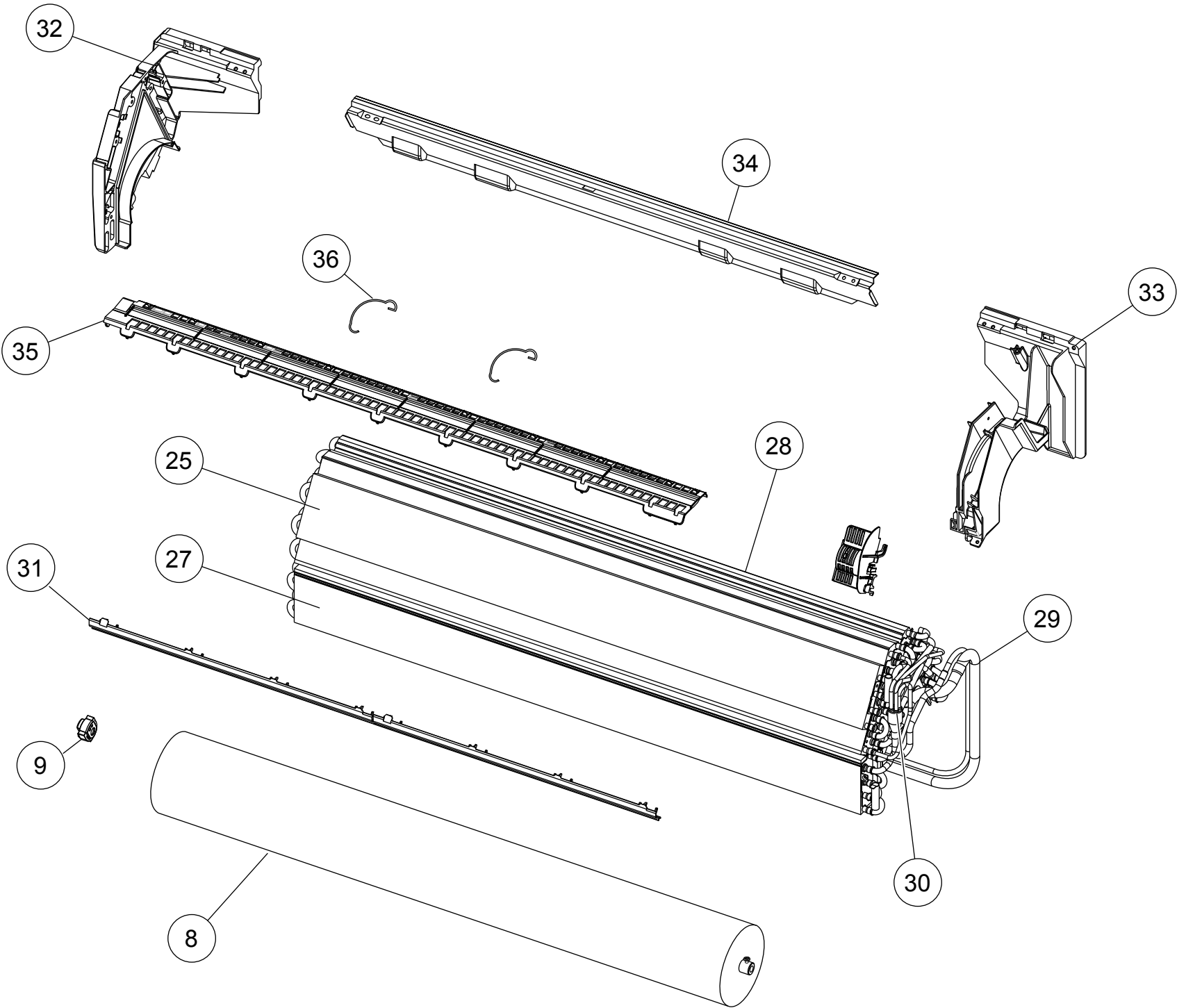
ERROR CONTENTS

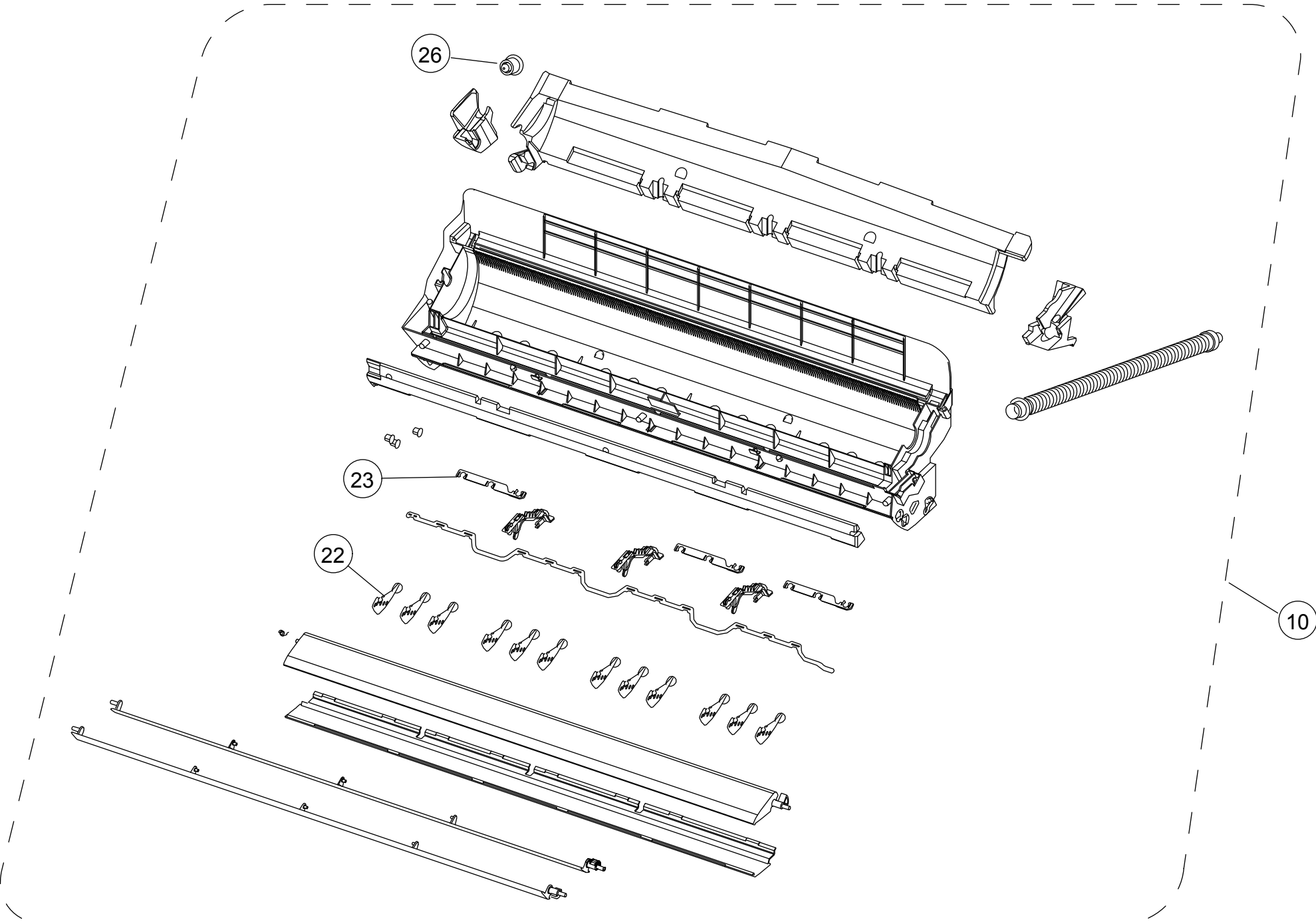
Error	Display		Error
	Operation LED	Timer LED	
Serial signal error	Normal	2 flash	Serial signal (reverse) error, at operation start up
		3 flash	Serial signal (reverse) error, during operation
		4 flash	Serial signal (forward) error, at operation start up
		5 flash	Serial signal (forward) error, during operation
		8 flash	Wired remote controller error
Indoor unit thermistor error	2 flash	2 flash	Indoor temperature thermistor open / short
		3 flash	Heat exchanger middle thermistor open / short
Outdoor unit thermistor error	3 flash	2 flash	Discharge thermistor open / short
		3 flash	Heat exchanger thermistor open
		4 flash	Outdoor temperature thermistor open / short
		8 flash	Compressor temperature thermistor open / short
Indoor unit control error	4 flash	2 flash	Forced automatic SW welded
		3 flash	Main relay welded
		4 flash	Power interruption error
		7 flash	VDD permanent stop protection
		8 flash	reverse VDD permanent stop protection
Outdoor unit control error	5 flash	2 flash	Current trip error
		3 flash	CT abnormal
		5 flash	Compressor location detection error
		6 flash	Outdoor unit fan drive system abnormal
Indoor fan motor error	6 flash	2 flash	Abnormal lock
		3 flash	Abnormal rotation
Refrigerant cycle error	7 flash	2 flash	Discharge Temperature abnormal
		3 flash	Cooling high pressure abnormal rise
		5 flash	Pressure switch trouble
Optional function error	8 flash	2 flash	Active filter voltage trouble (second time)
		3 flash	Active filter voltage trouble (first time)
		4 flash	PFC circuit error
Model information error	0.1 sec on/off	0.1 sec on/off	Model information error

DISASSEMBLY ILLUSTRATION

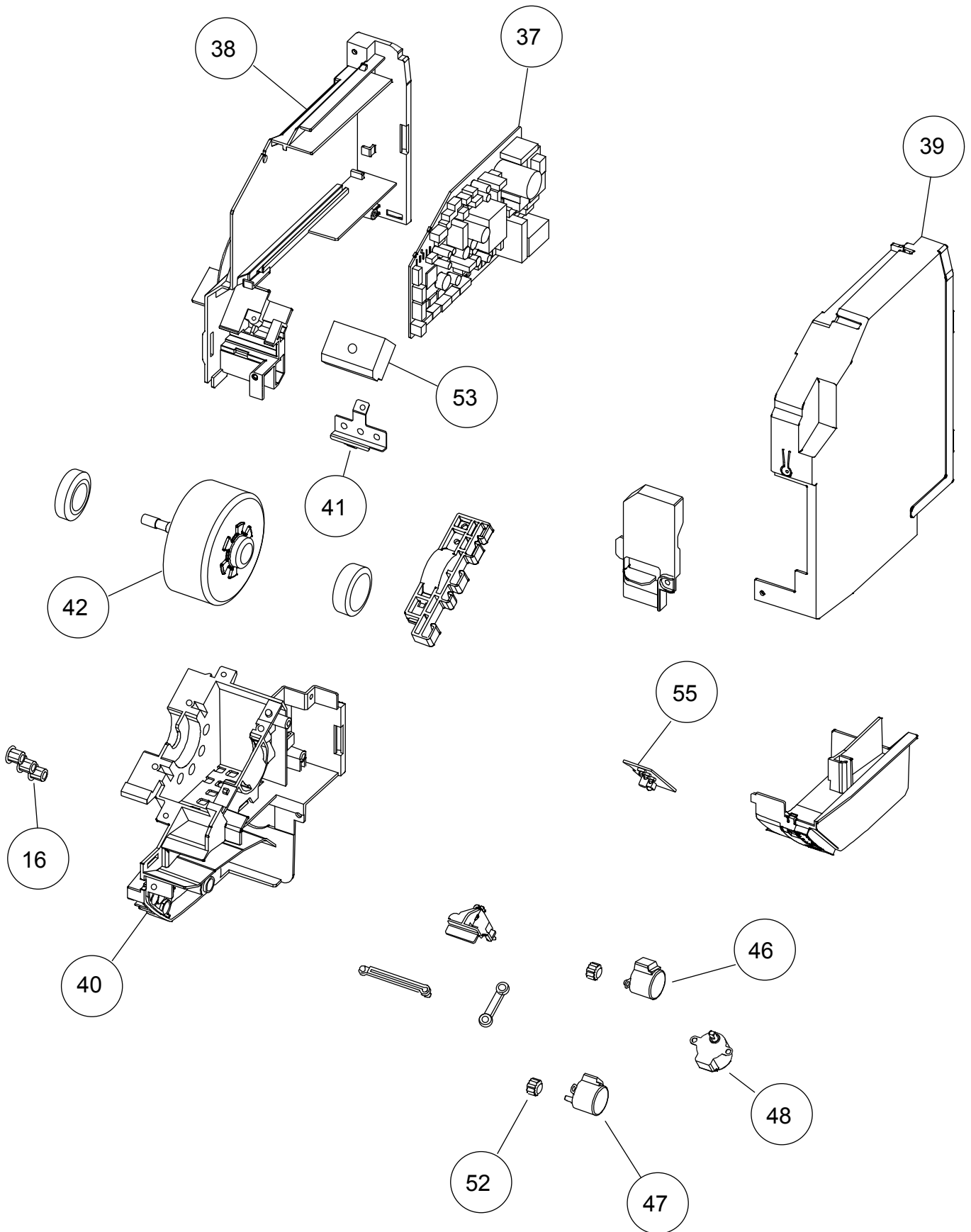
Model : RSA30LCC



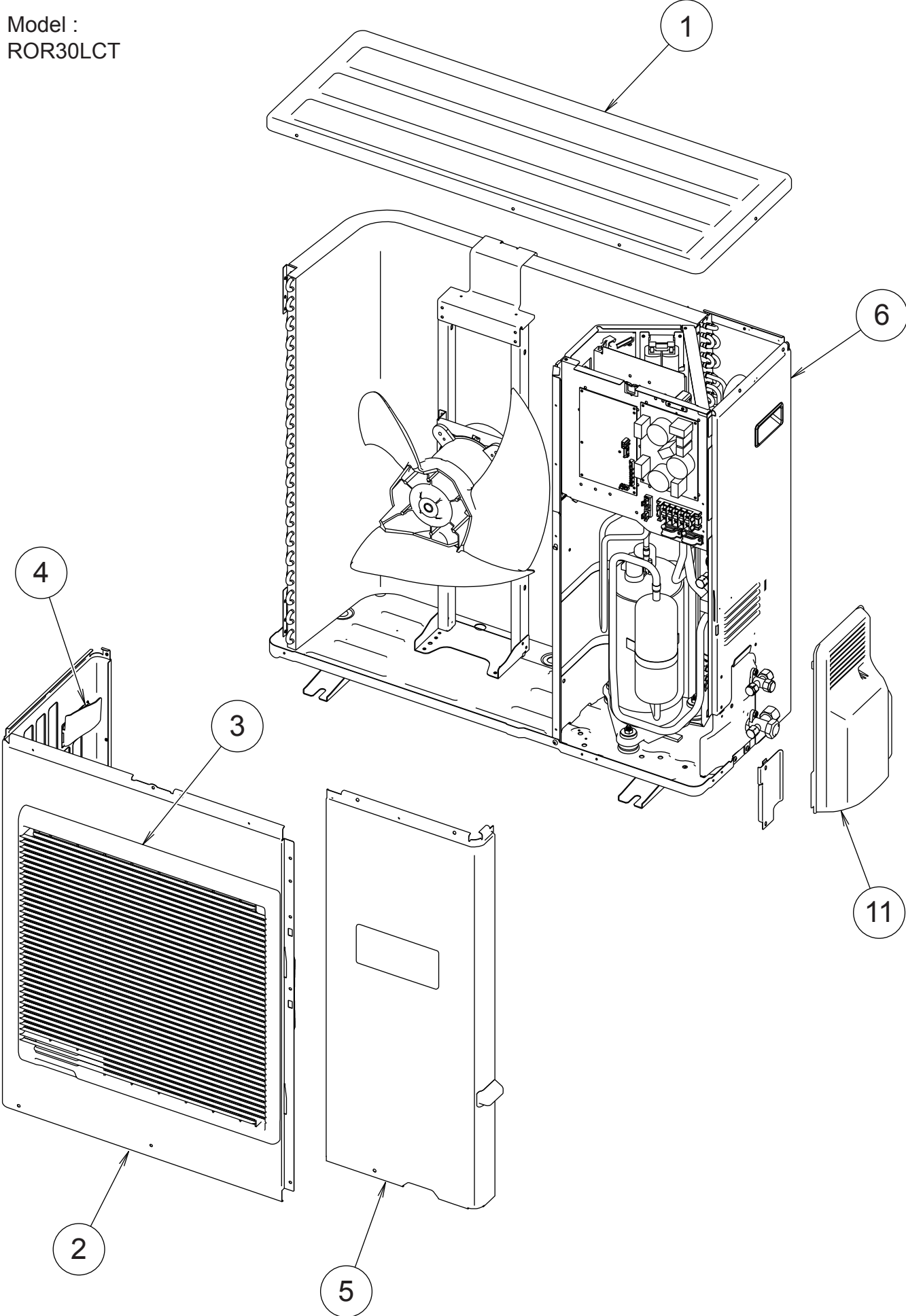




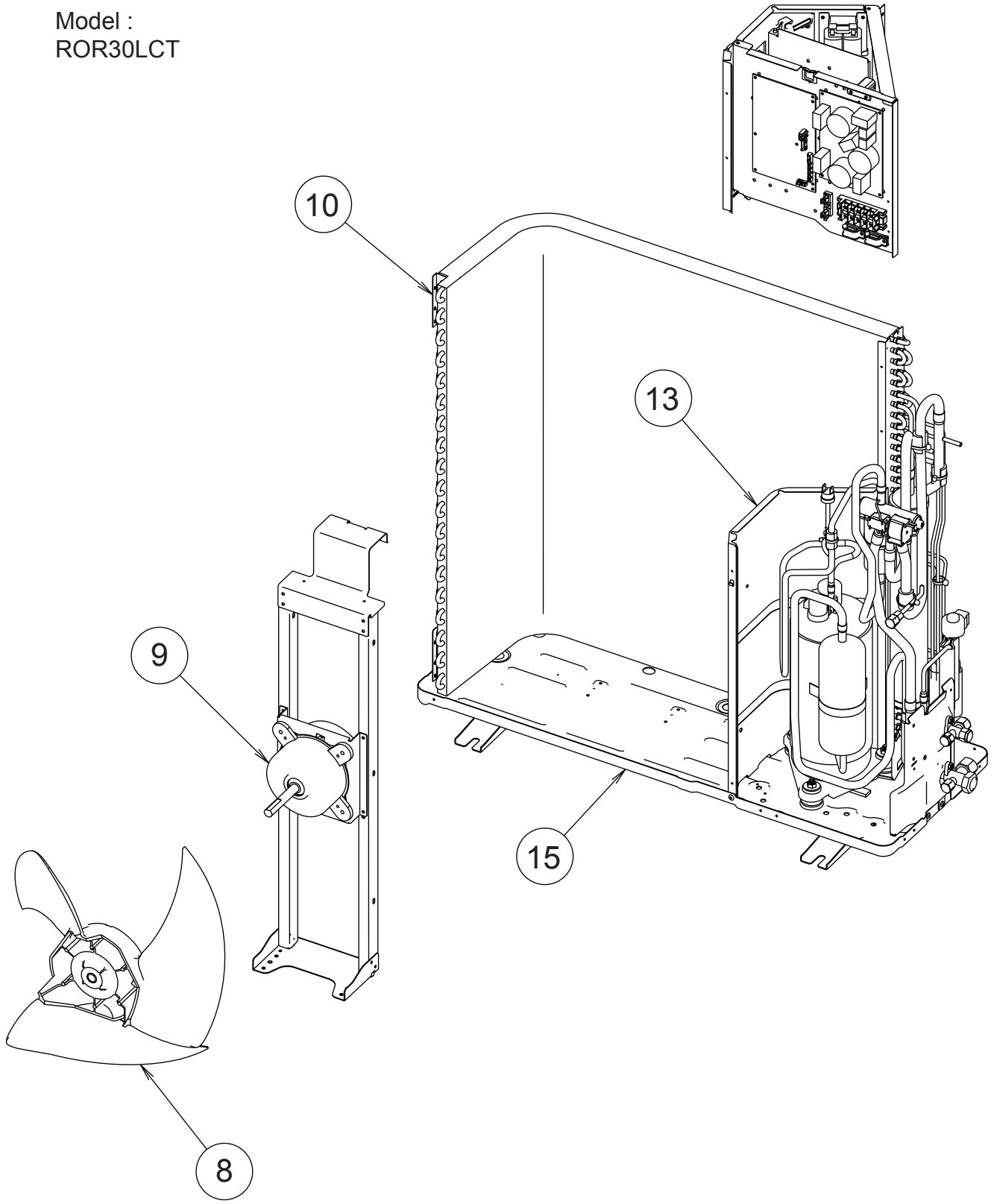
Model : RSA30LCC



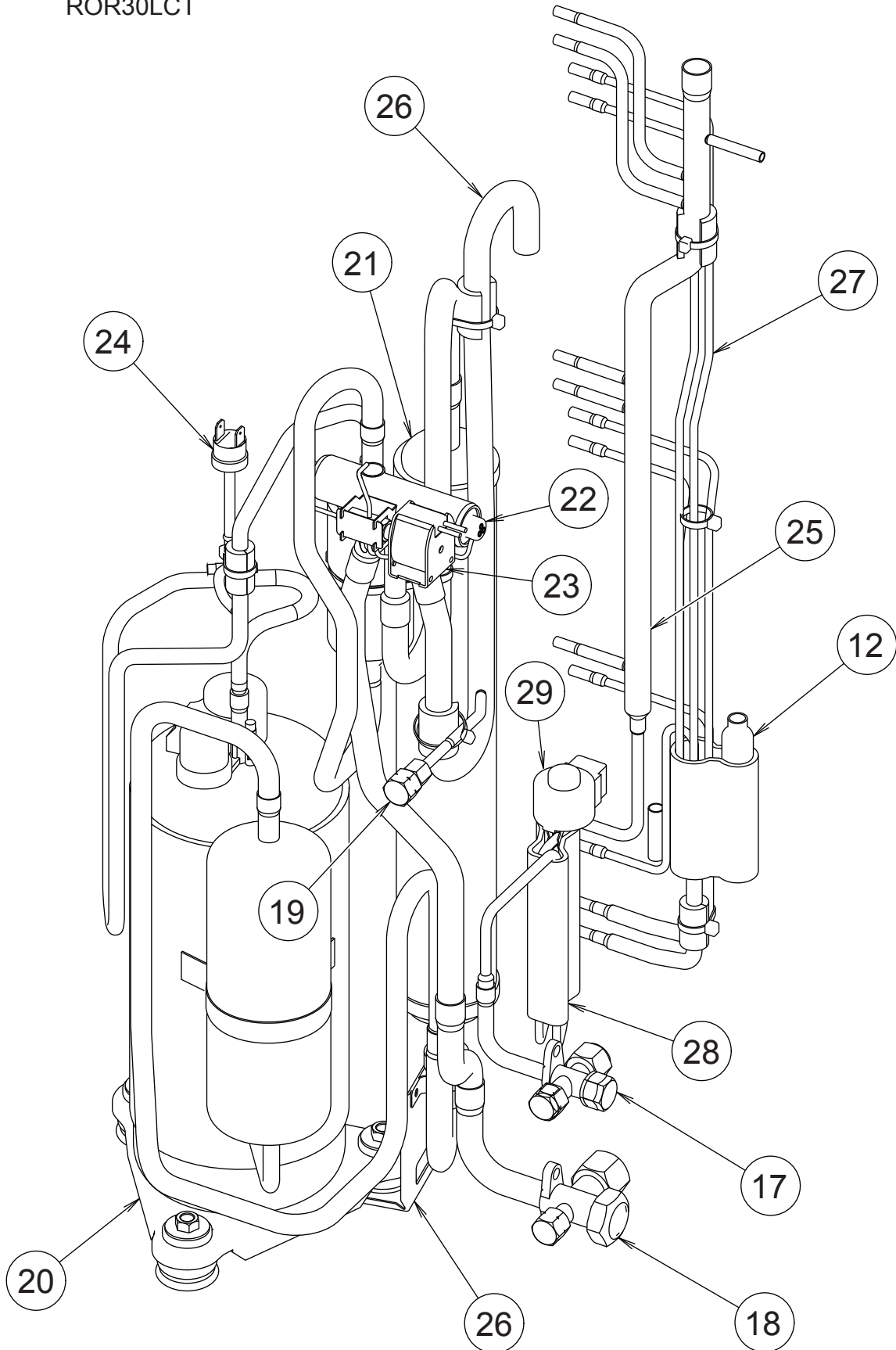
Model :
ROR30LCT



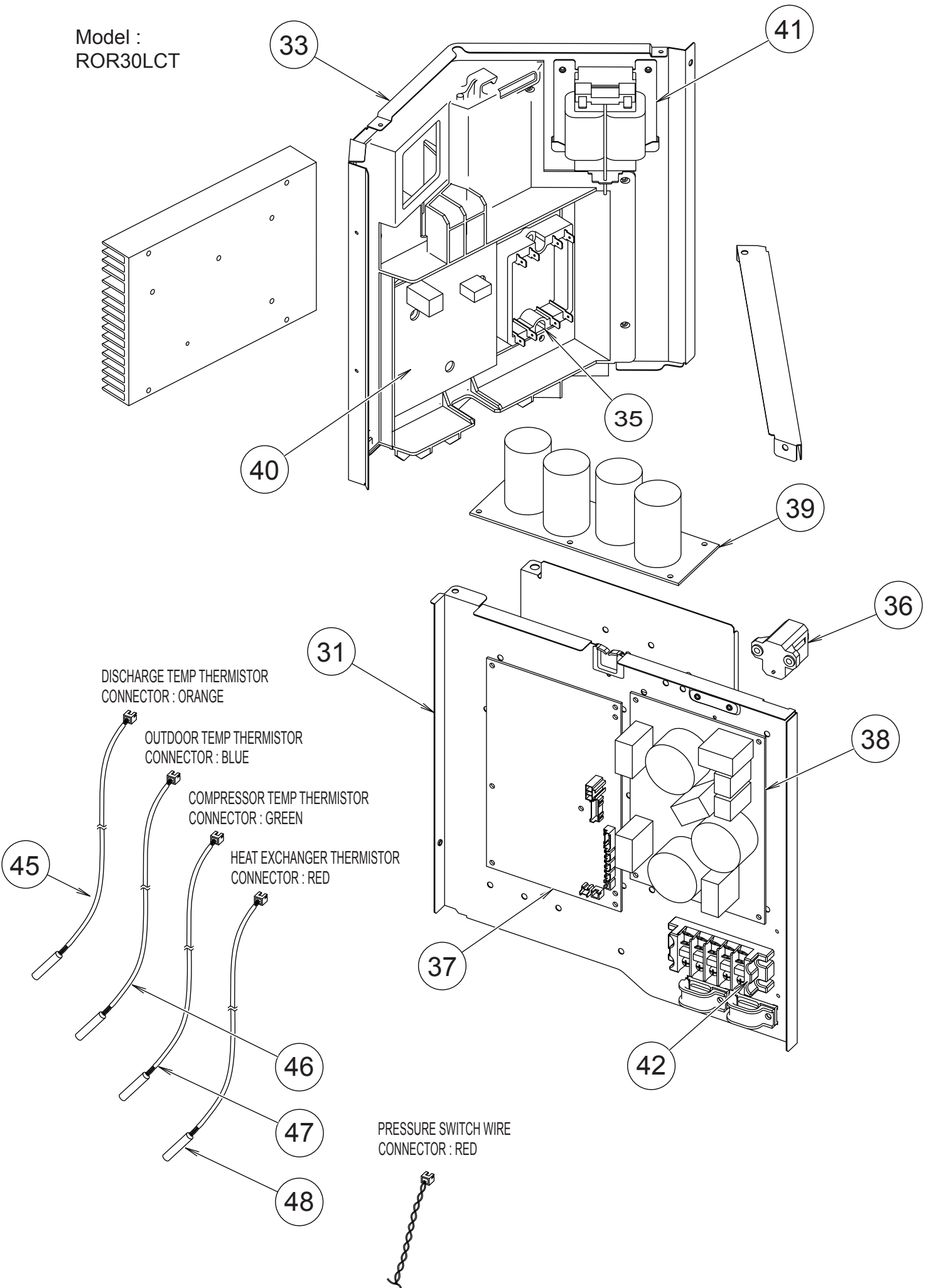
Model :
ROR30LCT



Model :
ROR30LCT



Model :
ROR30LCT



PARTS LIST

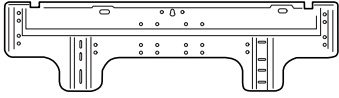

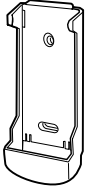

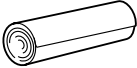
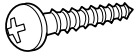

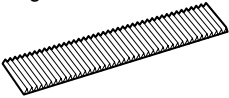
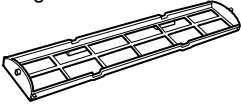
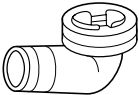


INDOOR UNIT

Ref. No.	Description	Part No.	Ord. Q'ty
		RSA30LCC	
1	Front Panel Total Assy	9315335050	
2	Intake Grille Assy	9315336040	
4	Air Filter	9315014016	
5	Clamper (Grille)	9306755010	
6	Receiver Window	9315010018	
8	Crossflow Fan Assy	9315024015	
9	Bearing C Assy	9306628017	
10	Casing Assy	9315331021	
22	R and L Louver	9311997016	
23	Spacer B	9312441013	
25	Evaporator Assy C	9315789013	
26	Drain Cap	9367677009	
27	Evaporator Assy	9315348012	
28	Evaporator Assy B	9315349019	
29	Connection Pipe Assy	9315355010	
30	Distributor Assy	9315351012	
31	Water Seal	9315251015	
32	Evaporator Holder R	9314994012	
33	Evaporator Holder L	9314995019	
34	Rear Bracket	9315022011	
35	Filter Guide	9315013019	
36	Filter Guard	9315411013	
37	Controller PCB Assy	9707090062	
38	Control Box	9314996016	
39	Control Cover	9314997013	
40	Case (Motor)	9314998010	
41	Terminal (Earth)	9315028013	
42	Motor, DC Brushless	9602163014	
46	Motor, Step	9900384029	
47	Motor, Step	9900384036	
48	Motor, Step	9900139063	
52	Gear A	9309994003	
53	Terminal	9900385019	
55	Indicator PCB Assy	9707210019	
---	Pipe Thermistor	9900389017	
---	Room Thermistor	9700801108	

OUTDOOR UNIT

Ref. No.	Description	Part No.	Ord. Q'ty
		ROR30LCT	
1	Top Panel Sub Assy	9374417032	
2	Front Panel	9374094066	
3	Fan Guard	9374330010	
4	Grip Side	9374173013	
5	Service Panel Sub Assy	9374415052	
6	Right Panel Sub Assy	9374416127	
8	Propeller Fan Assy	9366378020	
9	Motor, DC Brushless	9601882015	
10	Condenser A Assy	9374433148	
11	Valve Cover	9374174010	
12	Strainer Assy	9372524015	
13	Separate Wall	9374413133	
15	Base Assy	9374166138	
17	3-Way Valve Assy	9372205044	
18	3-Way Valve Assy	9372205075	
19	Check Joint Assy	9372802038	
20	Compressor Assy	9372558126	
21	Accumulator	9385005006	
22	4-Way Valve	9900164010	
23	Solenoid	9900165079	
24	Pressure Switch	9900186012	
25	Inlet Pipe (Cond) A Assy	9373461067	
26	Accumulator Support Assy	313986353804	
27	Outlet Pipe (Cond) A Assy	9374266104	
28	Expansion Valve Assy	9370947144	
29	Coil (Expansion Valve)	9900057039	
31	PCB Case Assy	9375316013	
33	Inverter Case	9375314019	
35	ACTPM	9703457012	
36	Thermistor	9704265012	
37	Controller PCB Assy	9707121063	
38	Power Supply PCB Assy	9707128062	
39	Capacitor PCB Assy	9707257014	
40	TR PCB Assy (IPM)	9707125085	
41	Choke Coil	9900366018	
42	Terminal	9900203023	
45	Discharge Temp Thermistor	9704219114	
46	Thermistor (Outdoor Temp)	9900378028	
47	Compressor Temp Thermistor	9900156022	
48	Heat Exchanger Thermistor	9900374013	

STANDARD ACCESSORIES

Name and Shape	Part No.
Wall hook bracket 	9315023018
Remote control unit 	9315027139
Remote control unit holder 	9305642045
Battery (penlight) 	0600185534
Cloth tape 	9310519004
Tapping screw (big) 	0700076046
Tapping screw (small) 	0700019036
Air cleaning filter 	9312153060 9311925071
Air cleaning filter frame 	9368568009
Drain pipe (Outdoor unit) 	9301102000
Drain cap (Outdoor unit) 	313166024302
Insulation (seal) 	9374756018

0605G3080