



SPLIT TYPE ROOM AIR CONDITIONER

WALL MOUNTED type

SERVICE MANUAL

| Models | Indoor unit | Outdoor unit |
|--------|-------------|--------------|
| | RS-30EA | RO-30EA |
| | RS-30E3A | RO-30E3A |



CONTENTS

| | |
|--|----|
| SPECIFICATIONS | 1 |
| OUTLINE AND DIMENSIONS..... | 3 |
| REFRIGERANT SYSTEM DIAGRAM | 4 |
| CIRCUIT DIAGRAM | 5 |
| INDOOR P. C. BOARD CIRCUIT DIAGRAM | 7 |
| INDOOR P. C. BOARD LAYOUTS | 8 |
| REMOTE CONTROL UNIT CODE SWITCHING | 10 |
| DISASSEMBLY ILLUSTRATION | 11 |
| PARTS LIST | 18 |

SPECIFICATIONS

| | | |
|-----------------------|-------------|----------|
| MODELS | RS-30EA | RS-30E3A |
| | RO-30EA | RO-30E3A |
| COOLING CAPACITY (kW) | 7.90 - 8.00 | |

ELECTRICAL DATA

| | | |
|--|--------------|-----------------|
| POWER SOURCE | 220 - 240 V~ | 3N~ 380 - 415 V |
| FREQUENCY (Hz) | 50 | |
| RUNNING CURRENT (A) | 16.0 - 16.3 | 5.9 - 5.9 |
| INPUT WATTS (kW) | 3.30 - 3.40 | |
| EER (kW/kW) | 2.39 - 2.35 | |
| MOISTURE REMOVAL (ℓ/hr) | 3.5 | |
| AIR CIRCULATION-Hi (m ³ /h) | 1,060 | |

COMPRESSOR

| | | |
|-----------------------|---|--|
| TYPE | Hermetic type, 2 pole, Single phase, Induction motor | Hermetic type, 2 pole, Three phase, Induction motor |
| CODE | ZR42K3E-PFJ | ZR42K3E-TFD |
| REFRIGERANT R407C (g) | 2,400 | |

FAN MOTOR

| | | |
|--------------|--------------------|-----------|
| POWER SOURCE | 220 - 240 V~ | |
| INDOOR UNIT | TYPE | MFA-30CTH |
| | HI-SPEED (r.p.m.) | 1,330 |
| | MED-SPEED (r.p.m.) | 1,200 |
| | LO-SPEED (r.p.m.) | 1,050 |
| OUTDOOR UNIT | TYPE | MFB-30DFT |
| | HI-SPEED (r.p.m.) | 760 |
| | LO-SPEED (r.p.m.) | 470 |

DIMENSIONS

| | | |
|--------------|----------------|-------------------|
| INDOOR UNIT | H x W x D (mm) | 320 x 1,250 x 195 |
| OUTDOOR UNIT | | 900 x 900 x 350 |

WEIGHTS

| | | |
|--------------|------------------|---------|
| INDOOR UNIT | GROSS / NET (kg) | 25 / 18 |
| OUTDOOR UNIT | | 89 / 77 |

| MODELS | | | RS-30EA | RS-30E3A |
|------------------------|----------------------------|------------------------|-------------|----------|
| | | | RO-30EA | RO-30E3A |
| REFRIGERANT CIRCUIT | DISCHARGE PRESSURE | kg / cm ² G | 21.5 | |
| | SUCTION PRESSURE | kg / cm ² G | 4.5 | |
| | DISCHARGE TEMP. | °C | 75 | |
| | REFRIG. PIPE LENGTH | m | 7.5 | |
| | DISCHARGE AIR TEMP. | °C | 12 | |
| CONDITION | INDOOR ENTERING AIR TEMP. | DB / WB °C | 27.0 / 19.0 | |
| | OUTDOOR ENTERING AIR TEMP. | DB / WB °C | 35.0 / 24.0 | |
| PIPING | PIPE DIA. SIZE | LIQUID | mm | 9.53 |
| | | GAS | | 15.88 |
| | CONNECTION METHOD | | | Flare |
| | BETWEEN | HEIGHT | m | 15 Max. |
| | | PIPE LENGTH | | 30 Max. |
| REFRIGERANT TYPE | | | R407C | |

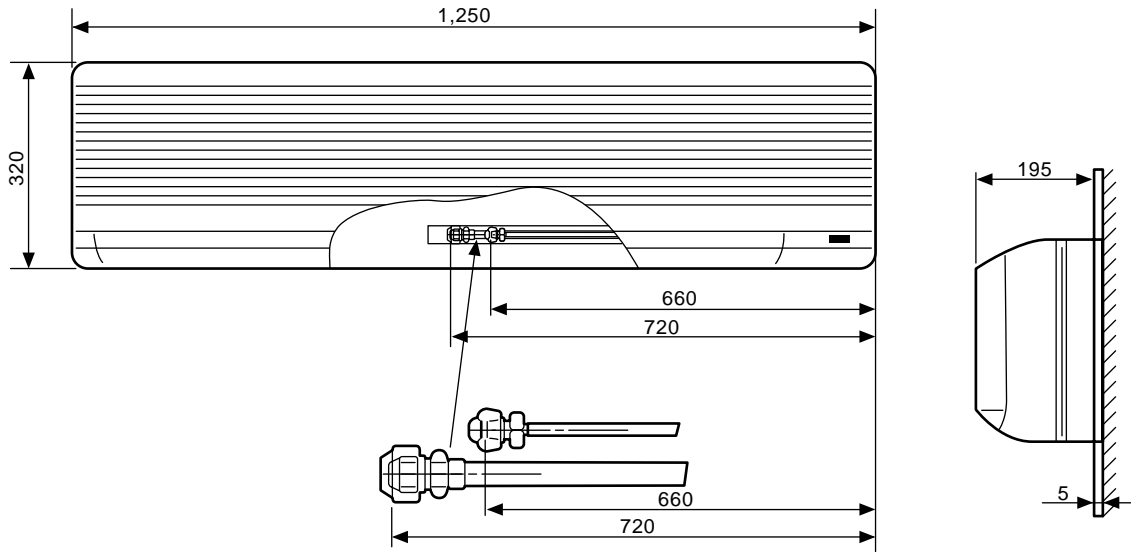
REFRIGERANT CHARGE

| MODELS | | PIPE LENGTH | | | | | | Additional refrigerant |
|----------------------------|---------------------|----------------------|--------------|--------------|--------------|----------------------|----------------------|-------------------------------|
| | | 5 m (16 ft) | 10 m (33 ft) | 15 m (49 ft) | 20 m (66 ft) | 25 m (82 ft) | 30 m (99 ft) | |
| FULL CHARGE AMOUNT (R407C) | RS-30EA RS-30E3A | 2,400 g (84.7 oz) | | | | 2,485 g (87.7 oz) | 2,570 g (90.7 oz) | 17 g / m (0.6 oz / 3.3 ft) |

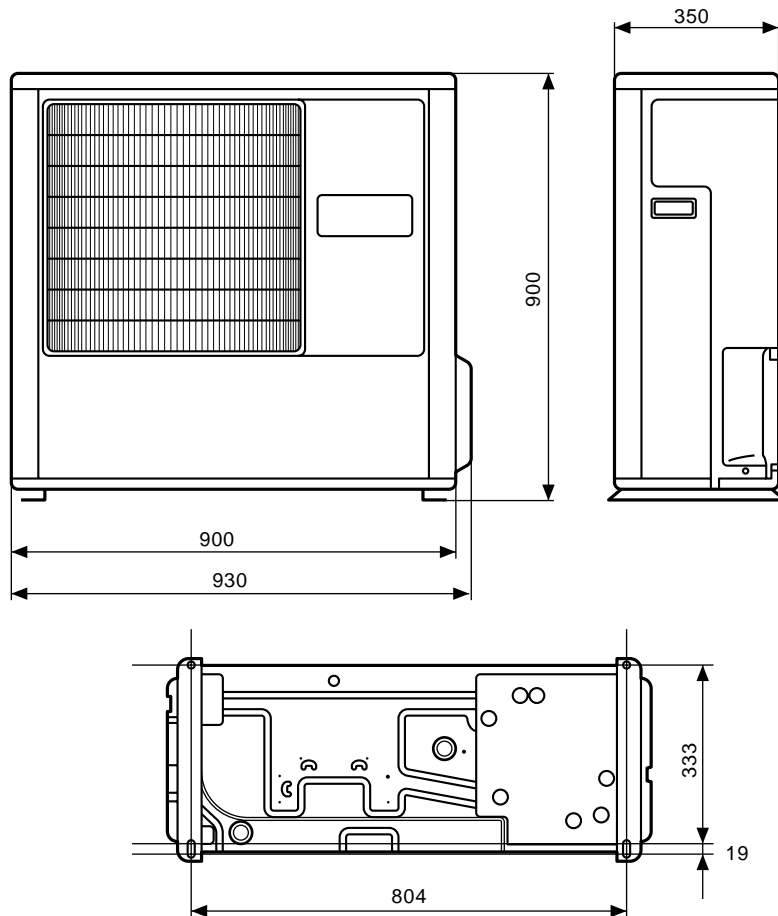
OUTLINE AND DIMENSIONS

Models : RS-30EA
RS-30E3A

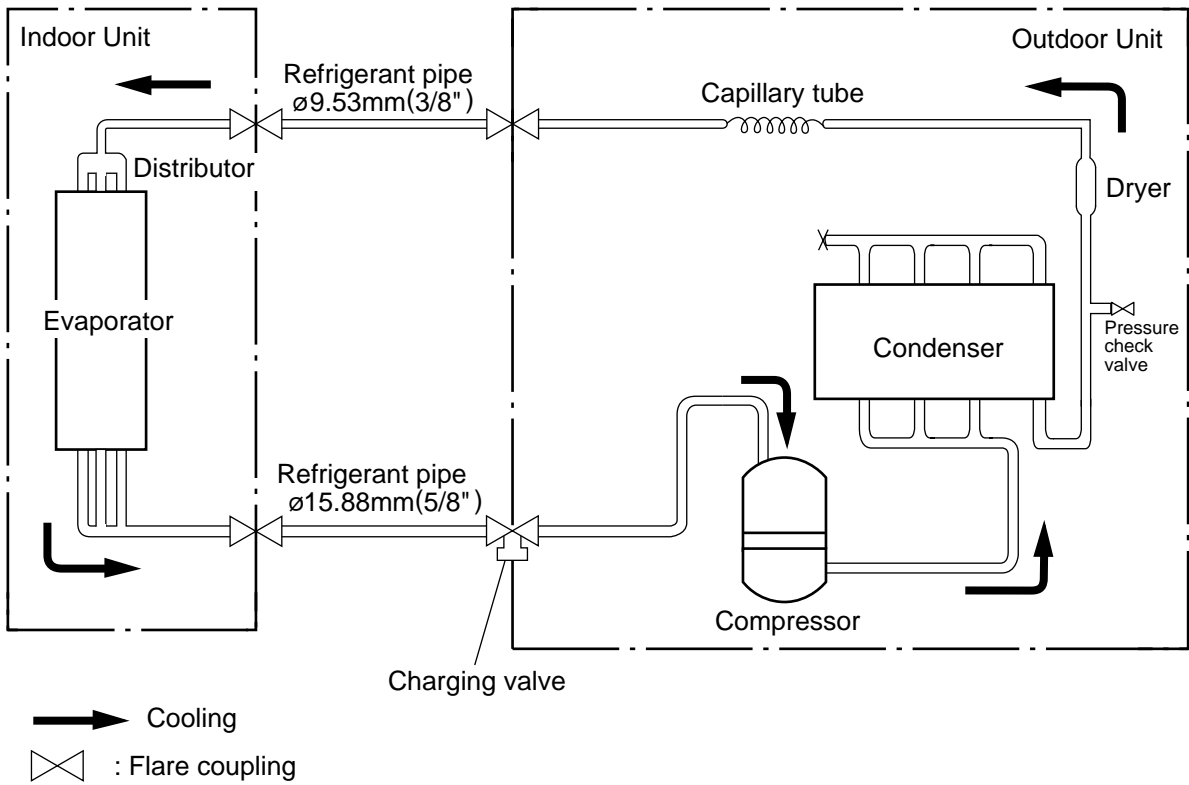
Unit : mm



Models : RO-30EA
RO-30E3A

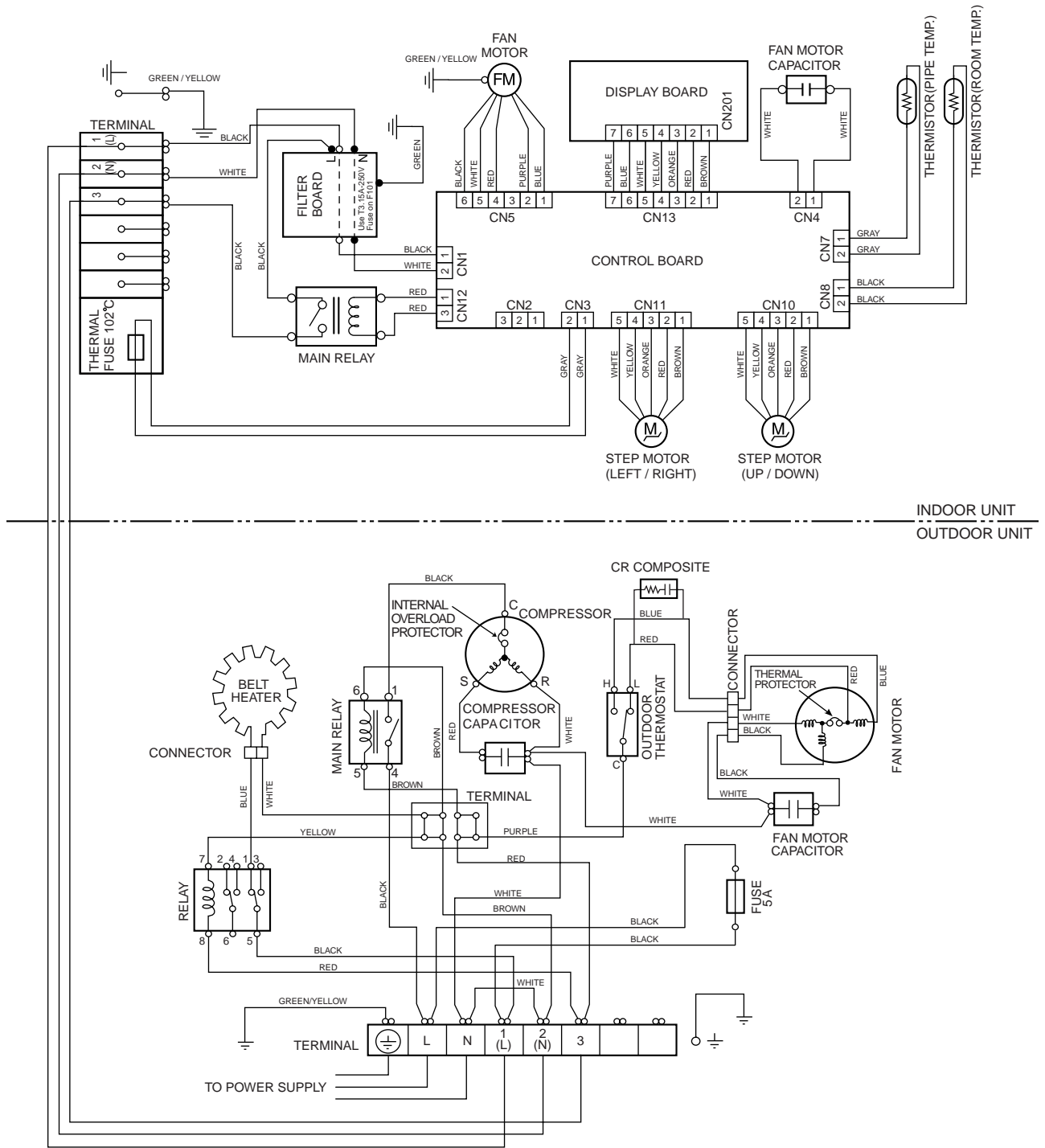


REFRIGERANT SYSTEM DIAGRAM

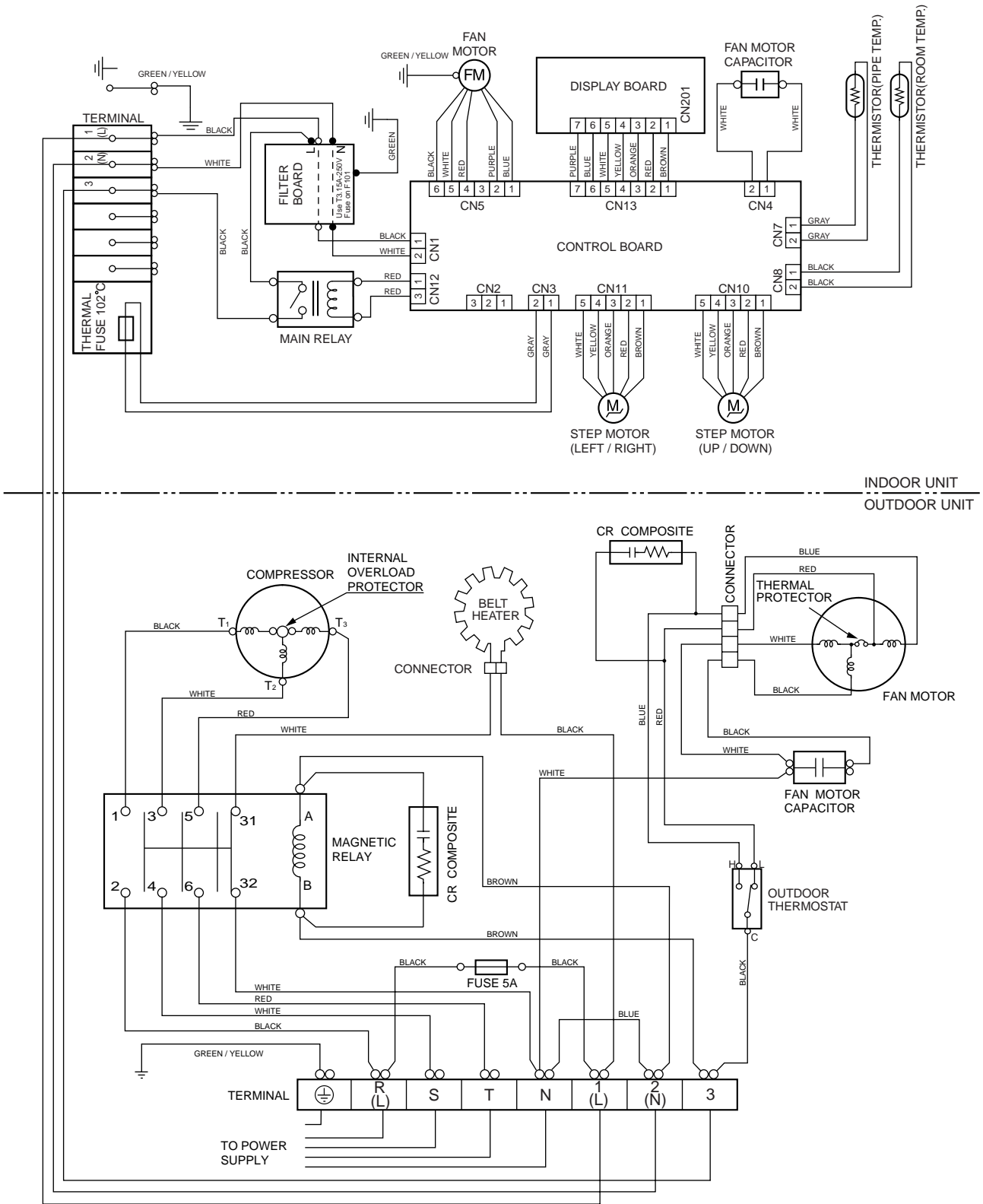


CIRCUIT DIAGRAM

Models : RS-30EA / RO-30EA

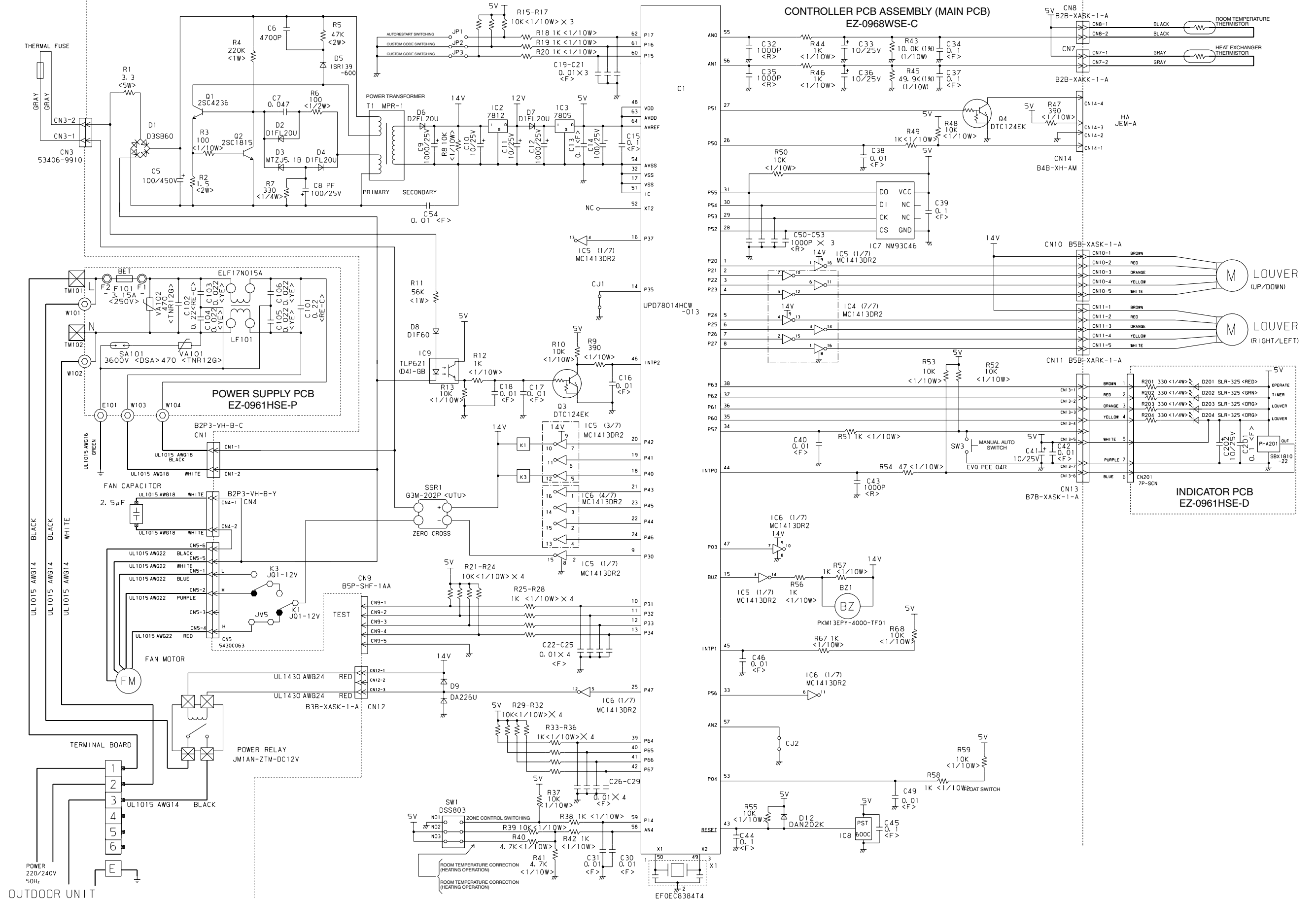


Models : RS-30E3A / RO-30E3A

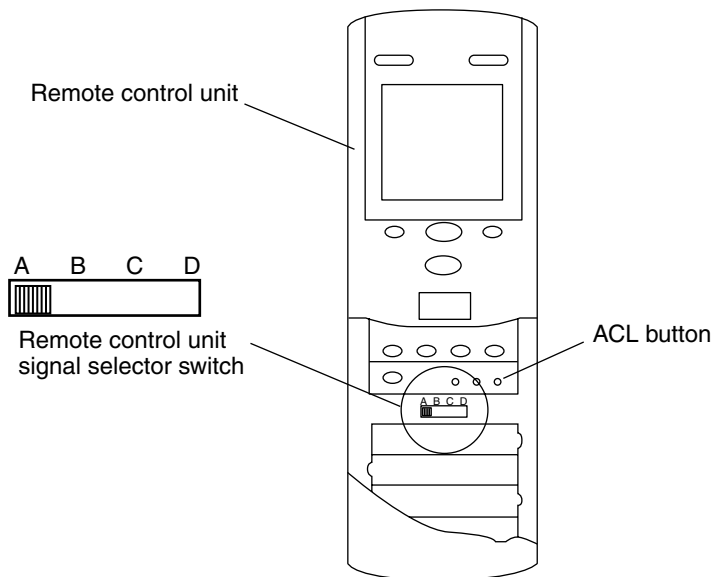
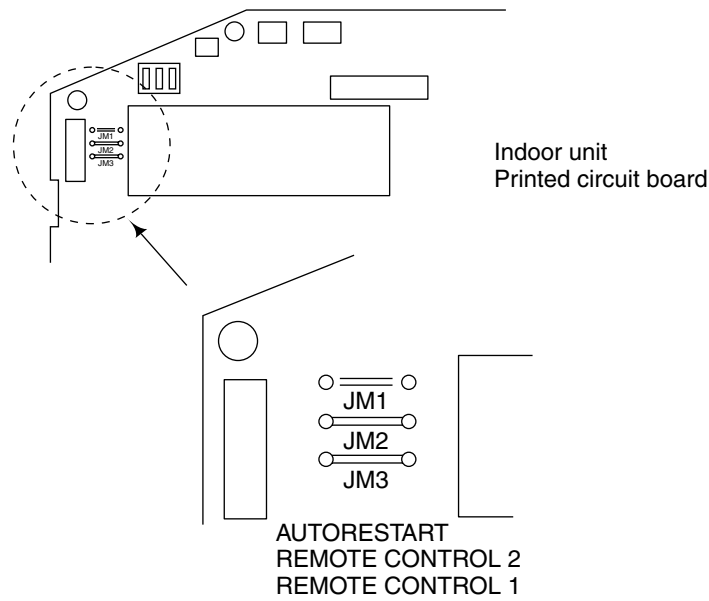


INDOOR PRINTED CIRCUIT BOARD CIRCUIT DIAGRAM

Models : RS-30EA
RS-30E3A



REMOTE CONTROL UNIT CODE SWITCHING



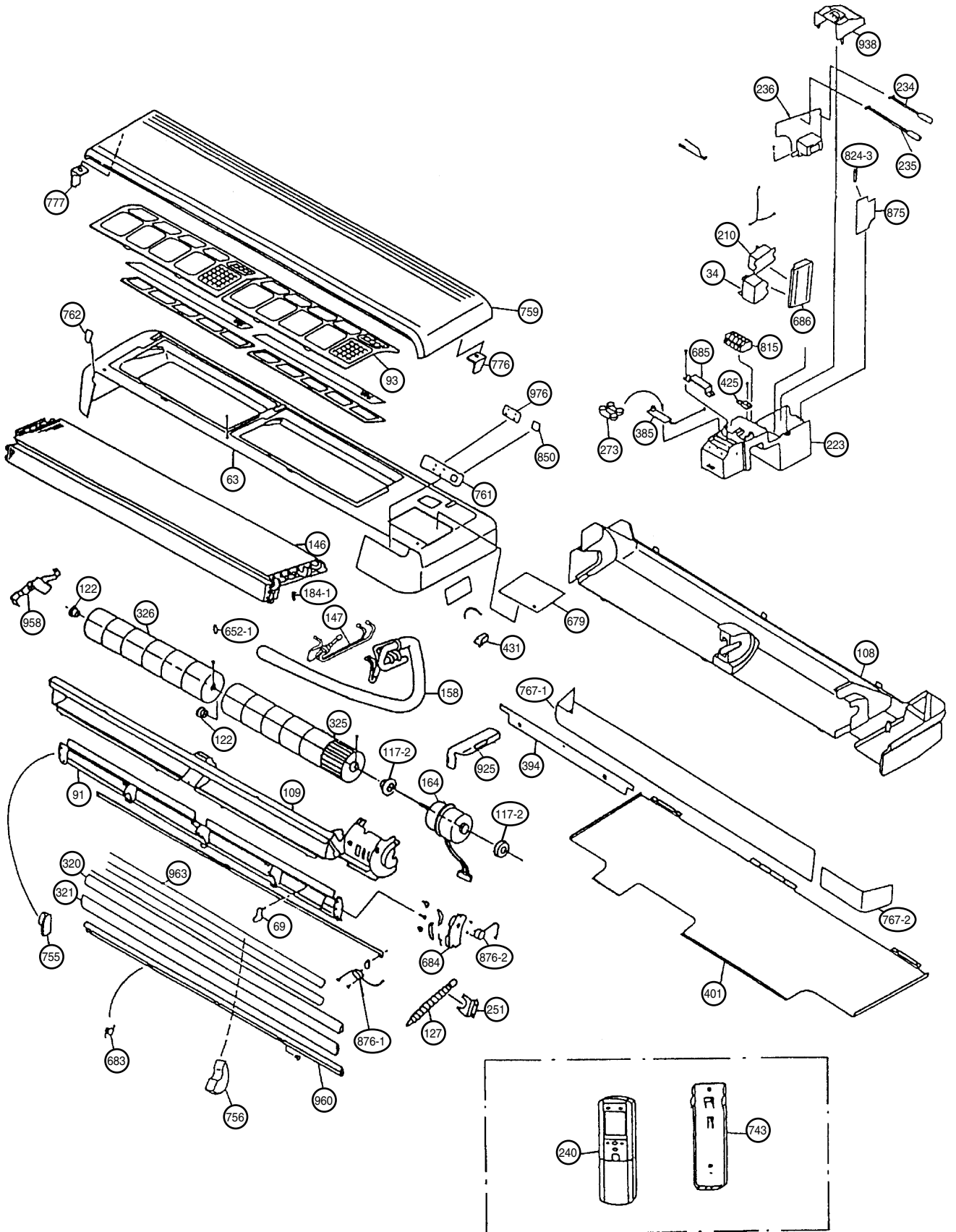
Confirm the remote control unit signal selector switch selection and printed circuit board setting. If these are not confirmed, the remote control unit cannot be operated for the air conditioner.

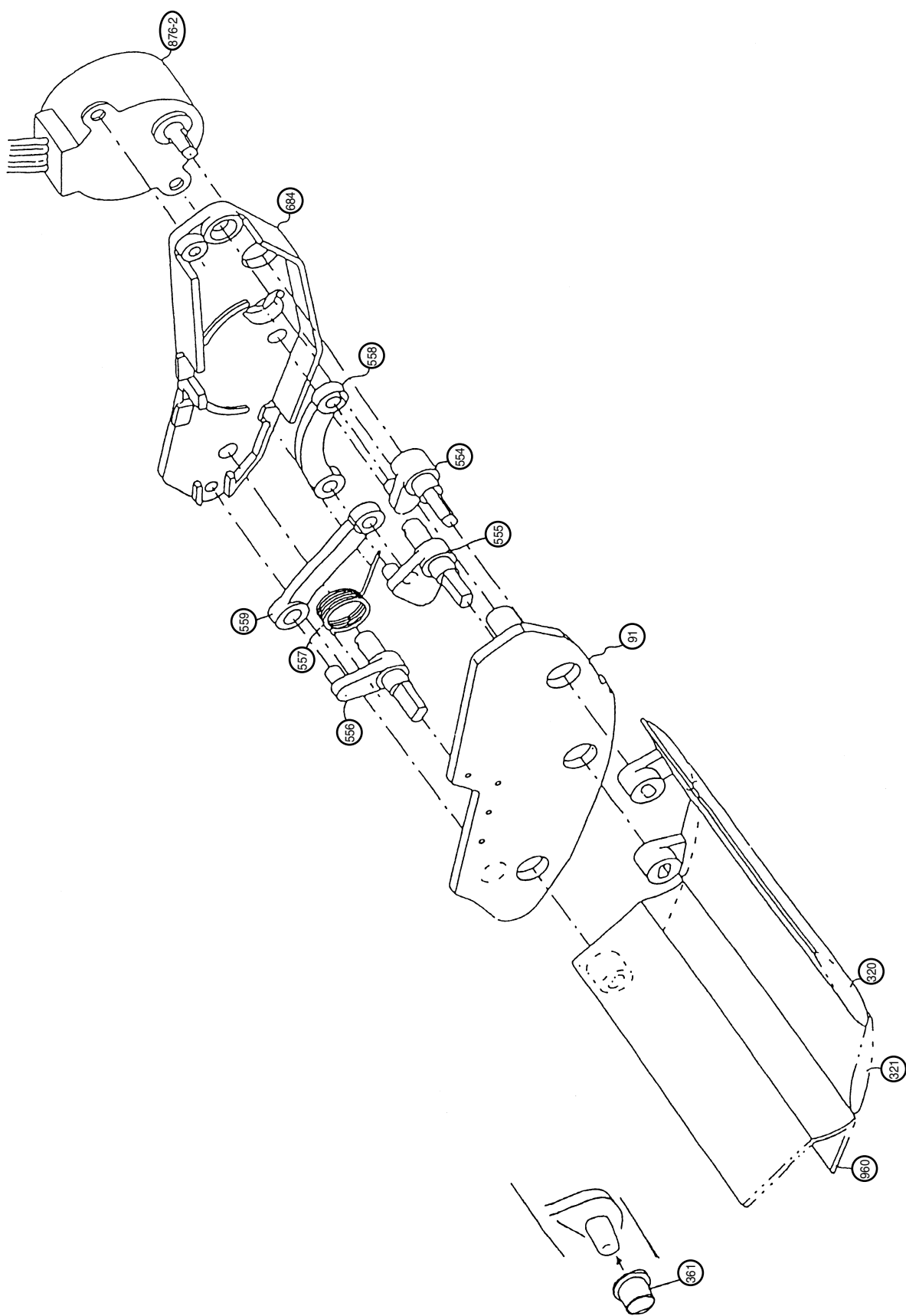
| Jumper wire | | Remote control unit signal selector switch |
|-------------|------------|--|
| JM 2 | JM 3 | |
| Connect | Connect | A (Primary setting) |
| Connect | Disconnect | B |
| Disconnect | Connect | C |
| Disconnect | Disconnect | D |

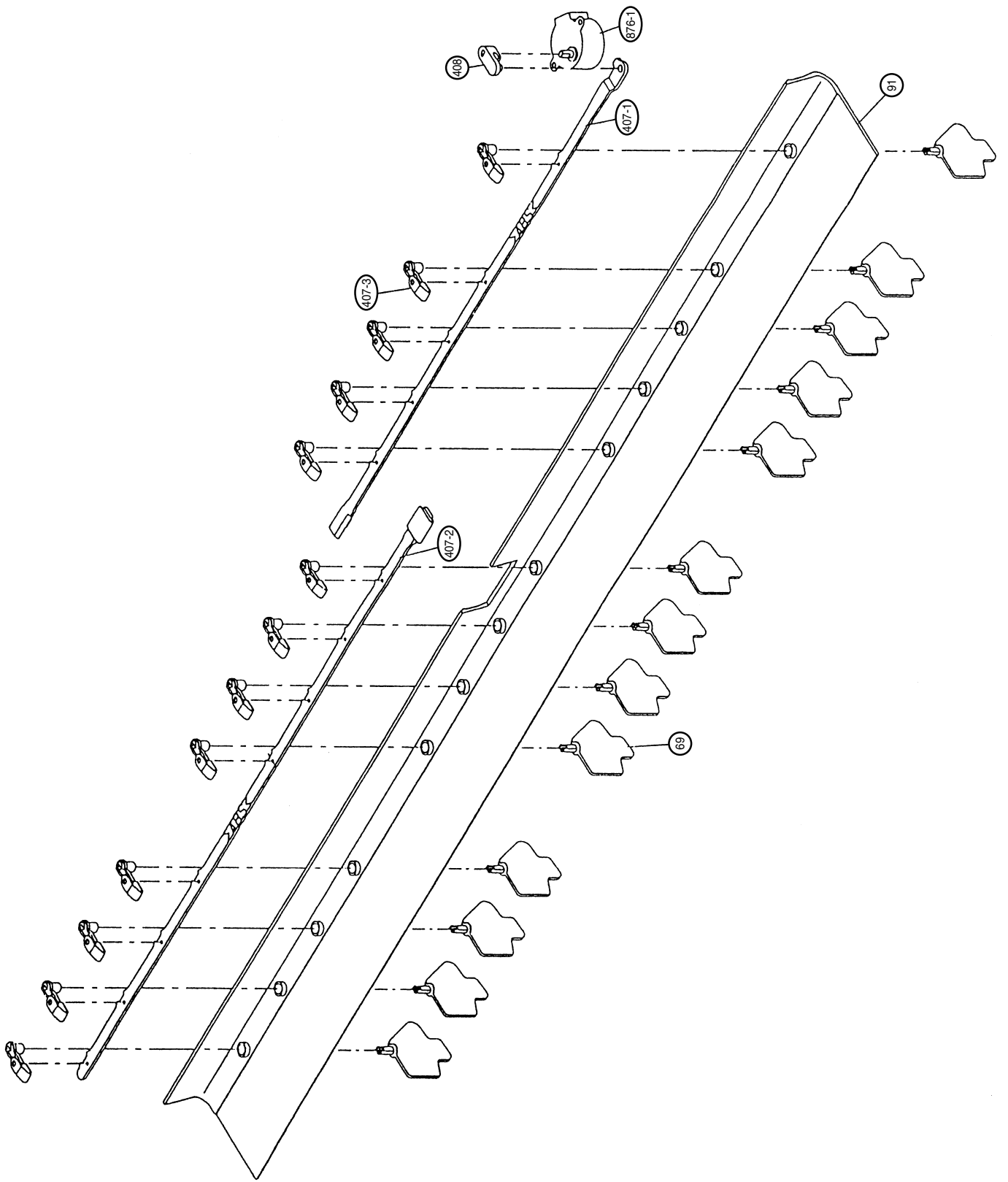
After setting the remote control unit signal selector switch, press the ACL button.

DISASSEMBLY ILLUSTRATION

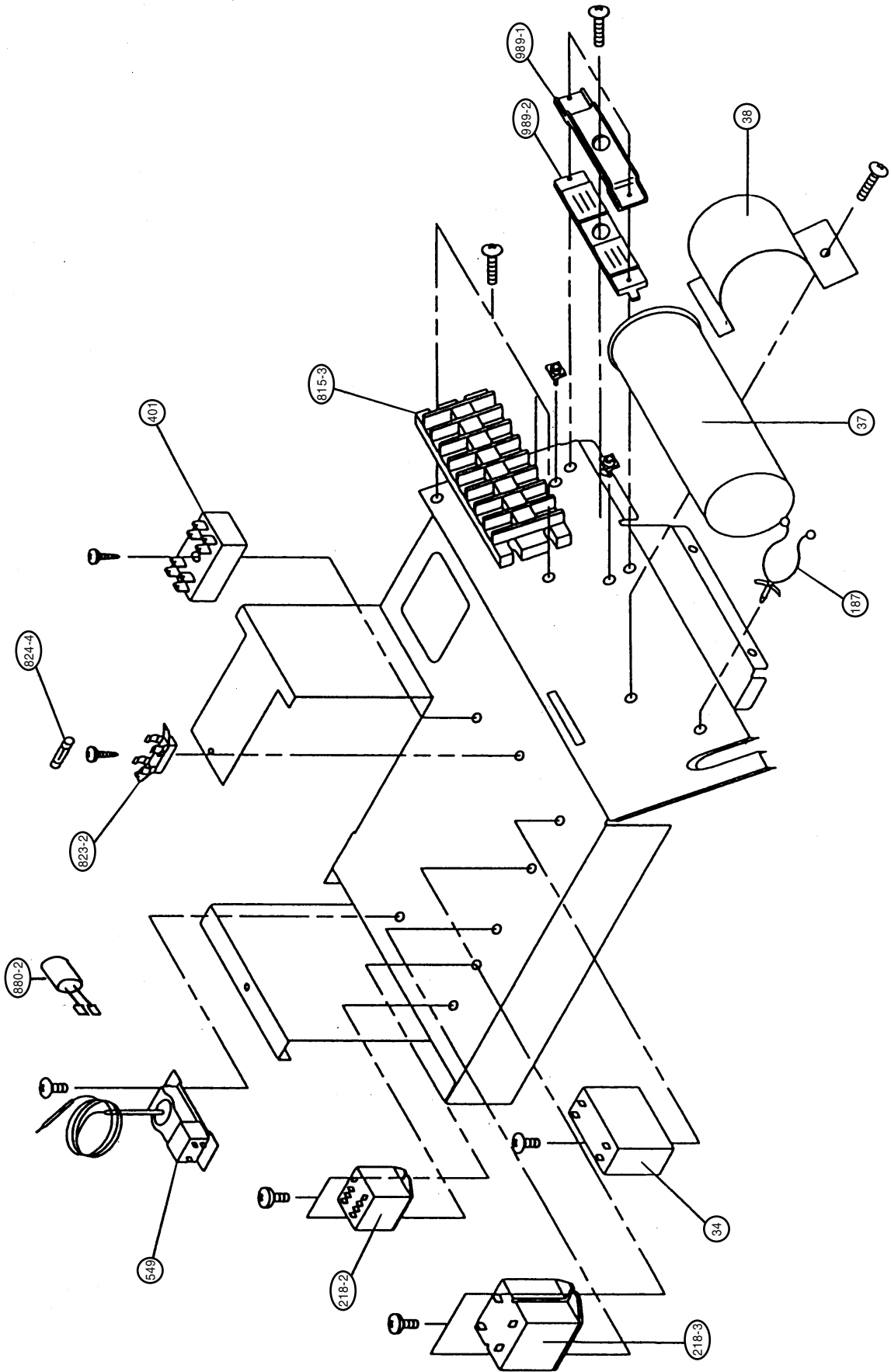
Models : RS-30EA
RS-30E3A



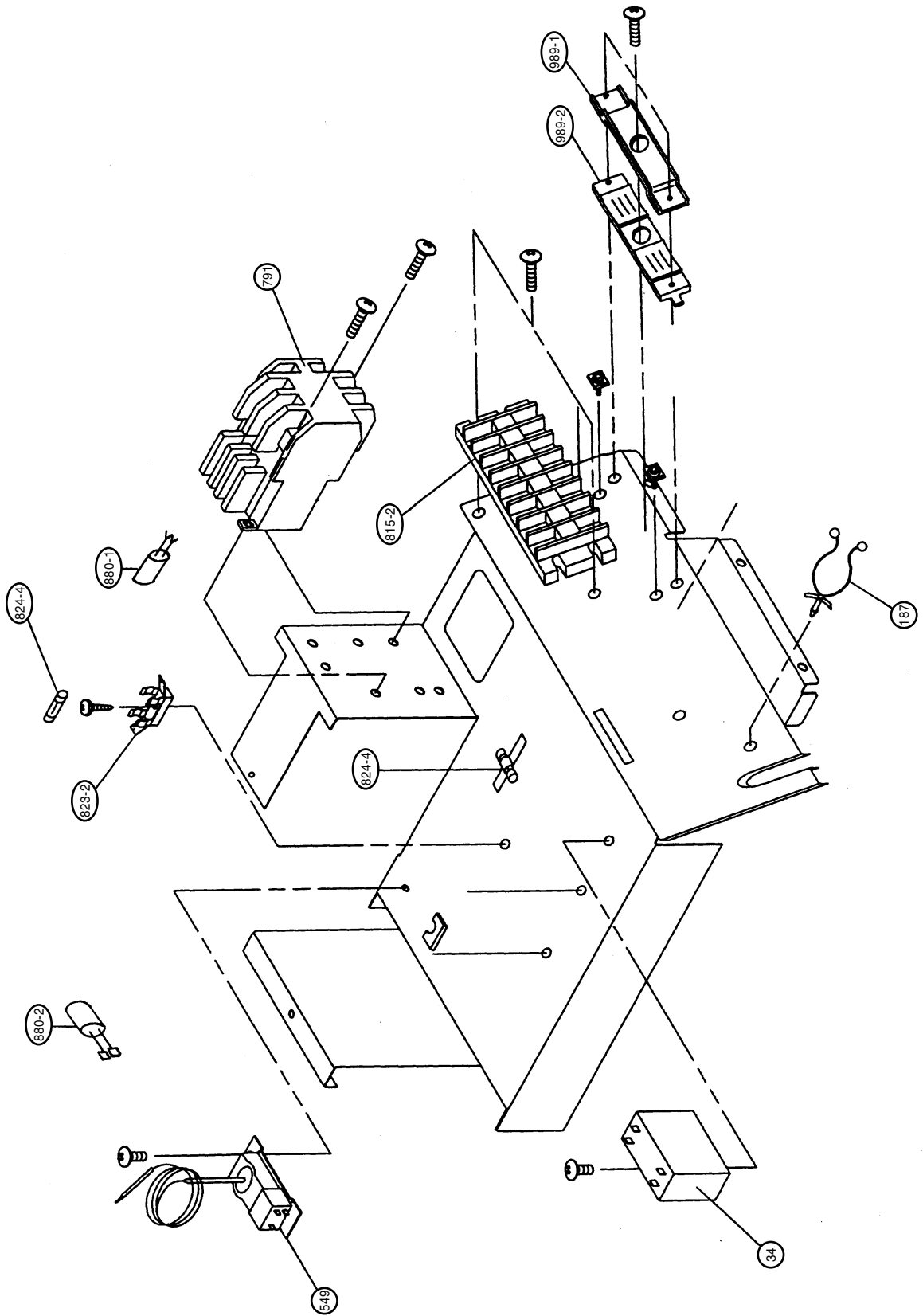




Model : RO-30EA



Model : RO-30E3A



PARTS LIST

When you order parts, please make a photocopy of this page and fill the number of the parts in the "Order" column.

INDOOR UNIT

| Ref. No. | Description | Part No. | | Ord. Q'ty | Ref. No. | Description | Part No. | | Ord. Q'ty |
|----------|--------------------------|--------------|--------------|-----------|----------|----------------------------|--------------|--------------|-----------|
| | | RS-30EA | RS-30E3A | | | | RS-30EA | RS-30E3A | |
| 34 | Capacitor (Fan Motor) | 9700468073 | 9700468073 | | 431 | Fixture-A | 313546156408 | 313546156408 | |
| 63 | Panel (Front) Total Assy | 9358181041 | 9358181041 | | 554 | Flap Link-Upper | 9357924007 | 9357924007 | |
| 69 | Louver | 9357933016 | 9357933016 | | 555 | Flap Link-Lower | 9357925004 | 9357925004 | |
| 91 | Hinge Plate | 9361281011 | 9361281011 | | 556 | Diffuser Link | 9357926001 | 9357926001 | |
| 93 | Air Filter | 9364577012 | 9364577012 | | 557 | Diffuser Spring | 9357947006 | 9357947006 | |
| 108 | Base | 9357948010 | 9357948010 | | 558 | Rod-A | 9357927008 | 9357927008 | |
| 109 | Casing | 9361280014 | 9361280014 | | 559 | Rod-B | 9357928005 | 9357928005 | |
| 117-2 | Rubber (Vibration-proof) | 9361237001 | 9361237001 | | 652-1 | Thermistor Holder Pipe | 313806262805 | 313806262805 | |
| 122 | Shaft Holder-B | 9357921006 | 9357921006 | | 679 | Cover (Power) | 9357916019 | 9357916019 | |
| 127 | Drain Hose Assy | 9364231006 | 9364231006 | | 683 | Balance Spring | 9358151006 | 9358151006 | |
| 146 | Evaporator Assy | 9366148005 | 9366148005 | | 684 | Motor Base | 9357929002 | 9357929002 | |
| 147 | Inlet Pipe (Eva.)Assy | 9366150008 | 9366150008 | | 685 | Cover (Terminal) | 9357955001 | 9357955001 | |
| 158 | Joint Pipe Assy-E | 9366149002 | 9366149002 | | 686 | Holder (Relay) | 9357960005 | 9357960005 | |
| 164 | Fan Motor Assy-In | 9358643013 | 9358643013 | | 743 | Remote Control Unit Holder | 9359955016 | 9359955016 | |
| 184-1 | Thermistor Spring-A | 313728262708 | 313728262708 | | 755 | Cover (Casing)-L | 9363786019 | 9363786019 | |
| 210 | Main Relay | 9356781007 | 9356781007 | | 756 | Cover (Casing)-B | 9363787016 | 9363787016 | |
| 223 | Control Box | 9357953007 | 9357953007 | | 759 | Intake Grille-F | 9359024019 | 9359024019 | |
| 234 | Thermistor Assy-Room | 9703299018 | 9703299018 | | 761 | Cover (Side)-R | 9357901022 | 9357901022 | |
| 235 | Thermistor Assy-Pipe | 9703297038 | 9703297038 | | 762 | Cover (Side)-L | 9357902029 | 9357902029 | |
| 236 | Controller PCB Assy | 9701941025 | 9701941025 | | 767-1 | Bottom Cover-A | 9357949017 | 9357949017 | |
| 240 | Remote Control Unit | 9359913061 | 9359913061 | | 767-2 | Bottom Cover-B | 9357950013 | 9357950013 | |
| 251 | Bracket (Hose)-B | 9362208017 | 9362208017 | | 776 | Hook (Grille)-R | 9357986012 | 9357986012 | |
| 273 | Holder (Lamp) | 9357958002 | 9357958002 | | 777 | Hook (Grille)-L | 9357985015 | 9357985015 | |
| 320 | Flap (Upper)-O | 9357939025 | 9357939025 | | 815 | Terminal-6P | 9357954004 | 9357954004 | |
| 321 | Flap (Lower) | 9357940014 | 9357940014 | | 824-3 | Fuse | 0600285210 | 0600285210 | |
| 325 | Cross Flow Fan-R Assy | 9357918006 | 9357918006 | | 850 | Receiver Window | 9357917016 | 9357917016 | |
| 326 | Cross Flow Fan-L Assy | 9357919003 | 9357919003 | | 875 | Filter PCB Assy | 9702017026 | 9702017026 | |
| 361 | Bushing | 9357942001 | 9357942001 | | 876-1 | Motor Step-H | 9359763000 | 9359763000 | |
| 385 | Indicator PCB Assy | 9701869015 | 9701869015 | | 876-2 | Motor Step-V | 9359762003 | 9359762003 | |
| 394 | Bracket, Panel (Pipe) | 9357951003 | 9357951003 | | 925 | Panel (Eva. Right)-B | 9357909004 | 9357909004 | |
| 401 | Bracket, Panel | 9357952000 | 9357952000 | | 938 | Cover (Switch) | 9357956015 | 9357956015 | |
| 407-1 | Motor Rod | 9357931005 | 9357931005 | | 958 | Bracket, Panel (Eva.) | 9358626009 | 9358626009 | |
| 407-2 | Louver Rod | 9357932002 | 9357932002 | | 960 | Diffuser | 9357941011 | 9357941011 | |
| 407-3 | Louver Stopper | 9357934006 | 9357934006 | | 963 | Fan Guard | 9357936000 | 9357936000 | |
| 408 | Louver Link | 9357935003 | 9357935003 | | 976 | Display Window | 9357903019 | 9357903019 | |
| 425 | Earth Plate | 9357957005 | 9357957005 | | | | | | |

When you order parts, please make a photocopy of this page and fill the number of the parts in the "Order" column.

OUTDOOR UNIT

| Ref. No. | Description | Part No. | | Ord. Q'ty | Ref. No. | Description | Part No. | | Ord. Q'ty |
|----------|----------------------------|--------------|--------------|-----------|----------|------------------------------|--------------|--------------|-----------|
| | | RO-30EA | RO-30E3A | | | | RO-30EA | RO-30E3A | |
| 2 | Fan Cover | 9359808015 | 9359808015 | | 109 | Terminal Cover (For Comp.) | 9364087009 | 9364087009 | |
| 4 | Emblem-Rear | 9361328006 | 9361328006 | | 111 | Terminal Packing (For Comp.) | 9364086002 | 9364086002 | |
| 5 | Cabinet-A, Painted | 9359797029 | 9359797029 | | 187 | Clamp No. 1219 | 313361271706 | 313361271706 | |
| 8 | Wire Assy (Shield)-D | 9366201007 | 9359904045 | | 218-2 | Power Relay | 9351553012 | — | |
| 9 | Cabinet-B, Painted | 9359798026 | 9359798026 | | 218-3 | Power Relay | 9353619006 | — | |
| 12 | Base Assy, Painted | 9359812029 | 9359812029 | | 348 | Outlet Pipe (Cond.) Assy | 9366197003 | 9366197003 | |
| 13-2 | 3-Way Valve (3/8) | 9362380003 | 9362380003 | | 349 | Outlet Pipe-E Assy | 9366198000 | 9366198000 | |
| 13-3 | Packed Valve (5/8) | 9366193005 | 9366193005 | | 353 | Valve-A Assy | 9366194002 | 9366194002 | |
| 15 | Dryer | 9362498005 | 9362498005 | | 401 | Terminal | 9701971015 | — | |
| 16 | Condenser Assy | 9366202004 | 9366202004 | | 407 | Clip (Cable) No.1259 | 313739340109 | 313739340109 | |
| 18 | Suction Pipe Assy | 9366190004 | 9366190004 | | 477 | Bellmouth | 9359809012 | 9359809012 | |
| 20 | Discharge Pipe Assy | 9366187004 | 9366187004 | | 527 | Protection Net | 9359844013 | 9359844013 | |
| 26 | Compressor Cover | 9365270004 | 9365270004 | | 549 | Thermostat-Outer | 9352553004 | 9352553004 | |
| 29 | Separate Wall | 9359804017 | 9359804017 | | 620 | Inlet Pipe (Cond.) Assy | 9366196006 | 9366196006 | |
| 32 | Control Box Metal | 9359839019 | 9359839019 | | 646 | Compressor Cover-B | 9365271001 | 9365271001 | |
| 34 | Capacitor (Fan Motor) | 313806068209 | 313806068209 | | 653-1 | Bolt (Fan Motor Fixing) | 0700156014 | 0700156014 | |
| 37 | Running Capacitor | 9703107023 | — | | 734 | Cabinet Top Plate , Painted | 9359799023 | 9359799023 | |
| 38 | Capacitor Clamp | 9360610010 | — | | 744 | Clamp (Condenser) | 313166374106 | 313166374106 | |
| 39 | Propeller Fan Assy | 9359837015 | 9359837015 | | 790-2 | Belt Heater | 9361140066 | 9361140066 | |
| 41 | Fan Motor Assy-Out | 9600832011 | 9600832011 | | 791 | Magnetic Relay | — | 9352552007 | |
| 45-1 | Motor Bracket | 9359801016 | 9359801016 | | 812 | Grip | 9352157004 | 9352157004 | |
| 45-2 | Motor Bracket Top | 9359803010 | 9359803010 | | 815-2 | Terminal-8P | — | 9363276022 | |
| 46 | Compressor Assy | 9367373000 | 9367374007 | | 815-3 | Terminal-8P | 9358660119 | — | |
| 47-1 | Rubber (Discharge Pipe) | 313194159807 | 313194159807 | | 817 | Thermostat Fixture | 9352164019 | 9352164019 | |
| 55 | Special Nut M8 (For Comp.) | 313252257701 | 313252257701 | | 823-2 | Fuse Holder | 0500063024 | 0500063024 | |
| 64 | Cabinet-Left | 9359840022 | 9359840022 | | 824-4 | Fuse | 0600222529 | 0600222529 | |
| 82 | Check Joint Assy | 9366186007 | 9366186007 | | 880-1 | Network | — | 9700987017 | |
| 83 | Check Joint Bracket | 9359807018 | 9359807018 | | 880-2 | Network | 9701020010 | 9701020010 | |
| 84 | Valve Cover | 9359817017 | 9359817017 | | 949-1 | Screw, Painted | 9305648009 | 9305648009 | |
| 85 | Valve Fixing Plate | 9359806011 | 9359806011 | | 983 | Thermostat Cover | 9358274002 | 9358274002 | |
| 107 | Rubber Seat-A (For Comp.) | 9364084008 | 9364084008 | | 989-1 | Cord Clamp-A | 9359822011 | 9359822011 | |
| 108 | Sleeve-A (For Comp.) | 9364085005 | 9364085005 | | 989-2 | Cord Clamp-B | 9359823018 | 9359823018 | |

When you order parts, please make a photocopy of this page and fill the number of the parts in the "Order" column.

CONTROLLER PCB ASSEMBLY (Ref. No. 236)

| Ref. No. | Description | Part No. | Ord. Qty | Ref. No. | Description | Part No. | Ord. Qty |
|---|----------------------------------|------------|----------|-----------------------|--------------------------------|------------|----------|
| IC1 | IC μ PD78014HCW-013 | 9702426026 | | R54 | Res. 1/10W 47ohm \pm 5% | 0200212425 | |
| IC3 | IC NJM7805FA | 0100462081 | | CJ1,2, JM7 | Res. 0 ohm | 0200212012 | |
| IC4-6 | IC μ PA2003GRE2 | 0100028041 | | C5 | Cap. Elec. 450V 100mfd | 0300256060 | |
| IC7 | IC BR93LC46RF-E2 | 0100295016 | | C6 | Cap. Plastic 4700pF | 0300269091 | |
| IC8 | IC PST600CMTR | 0101461120 | | C7 | Cap. Plastic 50V 0.047mfd | 0300169339 | |
| IC9 | IC TLP621(D4)-GB | 0000117074 | | C8 | Cap. Elec. 25V 100mfd | 0301197560 | |
| Q1 | Xstr 2SC4236 | 0000164047 | | C9 | Cap. Elec. 25V 1000mfd | 0301196495 | |
| Q2 | Xstr 2SC1815 | 0000002011 | | C10,33,36,41 | Cap. Elec. 25V 10mfd | 0301192312 | |
| Q3,4 | Xstr DTC124EKA | 0000936033 | | C12 | Cap. Elec. 25V 1000mfd | 0301158264 | |
| D1 | Diode D3SB60 | 0000689045 | | C13,15,34,37,39,44,45 | Cap. Ceramic 50V 0.1mfd | 0300311752 | |
| D2,4,7 | Diode D1FL20U | 0000746519 | | C14 | Cap. Elec. 25V 100mfd | 0301192350 | |
| D3 | Diode MTZJ5.1B | 0000852166 | | C16-31,38,40,42,46,49 | Cap. Ceramic 50V 0.01mfd | 0300311738 | |
| D5 | Diode 1SR139-600 | 0000353120 | | C32,35,43,50-53 | Cap. Ceramic 50V 1000pF | 0300308509 | |
| D6 | Diode D2FL20U | 0000906500 | | C54 | Cap. Ceramic 0.01mfd | 0300727539 | |
| D8 | Diode D1F60 | 0000208024 | | SW3 | Switch, Push KSM0632B | 9703476013 | |
| D9 | Diode DA226U | 0000625036 | | T1 | Power Transformer ETS28AS118AH | 9702727017 | |
| D12 | Diode DAN202K | 0000684019 | | X1 | Ceramic Resonator EF0EC8384T4 | 9701261017 | |
| R1 | Res. Cement 5W 3.3ohm \pm 10% | 0200153148 | | BZ1 | Buzzer PKM13EPY-4000-TF01 | 9701298013 | |
| R2 | Res. Metal Oxide 1.5ohm \pm 5% | 0201107119 | | K1,3 | Relay JQ1-12V | 9701316014 | |
| R3 | Res. 1/10W 100ohm \pm 5% | 0200212500 | | SSR1 | Relay G3M-202P-UTU | 9701829019 | |
| R4 | Res. Carbon 220kohm \pm 5% | 0200111353 | | JM2-5 | Wire L=10mm 0.6dia. | 9700025016 | |
| R5 | Res. Metal Oxide 47kohm \pm 5% | 0201107652 | | JM9 | Res. 0 ohm | 0200230016 | |
| R6 | Res. 1/2W 100ohm \pm 5% | 0200731506 | | CN1 | Plug, PCB 5-1123724-2 | 0501321574 | |
| R7 | Res. 1/4W 330ohm \pm 5% | 0200708621 | | CN3 | Plug, PCB 53406-9910 | 0500951048 | |
| R8,10,13,15-17,21-24,29-32,37,39,48,50,52,53,55,59,68 | Res. 1/10W 10kohm \pm 5% | 0200213019 | | CN4 | Plug, PCB 2-1123724-2 | 0501321529 | |
| R9,47 | Res. 1/10W 390ohm \pm 5% | 0200212647 | | CN5 | Plug, PCB 5430C063 | 0500957026 | |
| R11 | Res. Metal Oxide 56kohm \pm 5% | 0201106662 | | CN7 | Plug, PCB B2B-XAKK-1-A | 0501045227 | |
| R12,18-20,25-28,33-36,38,42,44,46,49,51,56-58,67 | Res. 1kohm \pm 5% | 0200212746 | | CN8 | Plug, PCB B2B-XASK-1-A | 0501045012 | |
| R40,41 | Res. 1/10W 4.7kohm \pm 5% | 0200212906 | | CN9 | Plug, PCB B5P-SHF-1AA | 0500006069 | |
| R43 | Res. 1/10W 10kohm \pm 1% | 0200279497 | | CN10 | Plug, PCB B5B-XASK-1-A | 0501045043 | |
| R45 | Res. 1/10W 49.9kohm \pm 1% | 0200279824 | | CN11 | Plug, PCB B5B-XARK-1-A | 0501045517 | |
| | | | | CN12 | Plug, PCB B3B-XASK-1-A | 0501045029 | |
| | | | | CN13 | Plug, PCB B7B-XASK-1-A | 0501045067 | |
| | | | | CN14 | Plug, PCB B4B-XH-AM | 0500005314 | |

FILTER PCB ASSEMBLY (Ref. No. 875)

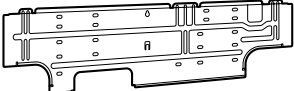
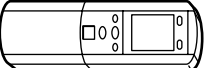
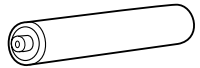

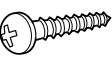
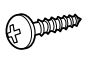
| Ref. No. | Description | Part No. | Ord. Qty | Ref. No. | Description | Part No. | Ord. Qty |
|------------|--------------------------|------------|----------|-----------|---------------------------|------------|----------|
| C101,102 | Cap. Plastic 0.22mfd | 0300304099 | | TM101,102 | Plug Contact 86028 | 0500536016 | |
| C105, C106 | Cap. Plastic 0.022mfd | 0301052098 | | LF101 | EMI Filter ELF17N015A | 0400197119 | |
| SA101 | Arrester DSA-362MA-05 | 0600168032 | | W101 | Wire w/Terminal BLK L=120 | 9702060039 | |
| VA101,102 | Varistor TNR12G471K | 0000038010 | | W102 | Wire w/Terminal WHT L=180 | 9702060046 | |
| F101 | Fuse 2183.15 | 0600285210 | | W103,104 | Wire Assy 2P #18 | 9702080013 | |
| FH1,2 | Fuse Holder PFC5000-0502 | 0500158072 | | E101 | Wire w/Terminal GRN L=250 | 9701880010 | |

INDICATOR PCB ASSEMBLY (Ref. No. 385)


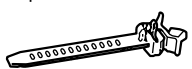
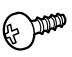
| Ref. No. | Description | Part No. | Ord. Qty | Ref. No. | Description | Part No. | Ord. Qty |
|----------|----------------------|------------|----------|----------|-------------------------------------|--------------------------|----------|
| D201 | Diode SLR-325VC RED | 0000813259 | | R201-204 | Res. Carbon 1/4W 330ohm \pm 5% | 0201038659 | |
| D202 | Diode SLR-325MC GRN | 0000813242 | | PHA201 | Remote Control Amplifier SBX1810-22 | 0101525129 | |
| D203,204 | Diode SLR-325DC ORG | 0000813235 | | CN201 | Wire w/Connector L=430 Lamp Holder | 9701856015 9357958002 | |
| C201 | Cap. Ceramic 0.1mfd | 0300988251 | | | | | |
| C202 | Cap. Elec. 25V 10mfd | 0300004258 | | | | | |

STANDARD ACCESSORIES

INDOOR UNIT ACCESSORIES

| Name and Shape | Part No. |
|--|------------------------|
| Wall hook bracket  | 9357952000 |
| Remote control unit  | 9359913061 (AR-DL6) |
| Battery (penlight)  | 0600185534 |
| Remote control unit holder  | 9359955016 |
| Tapping screw (big) ($\phi 4 \times 20$)  | 301141164200 |
| Tapping screw (small) ($\phi 3 \times 12$)  | 301141533125 |

OUTDOOR UNIT ACCESSORIES

| Name and Shape | Part No. |
|---|--------------|
| Hexagon wrench  | 9351228019 |
| Cable clip  | 313739340109 |
| Tapping screw (painted)  | 9305648009 |



MANUFACTURER :

Fuji Denki Sosetsu Co., Ltd.

Tokyo, Japan