

FUJII ELECTRIC

SPLIT TYPE ROOM AIR CONDITIONER CEILING WALL type

SERVICE MANUAL

| Models | Indoor unit | Outdoor unit |
|--------|-------------|--------------|
| | RJW-14HB | ROW-14HB |
| | RJW-18CB | ROW-18CB |
| | RJW-18HB | ROW-18HB |
| | RJW-24CB | ROW-24CB |
| | RJW-24HB | ROW-24HB |
| | RJW-30CB | ROW-30CB |
| | RJW-30HB | ROW-30HB |

C O N T E N T S

| | |
|--|----|
| SPECIFICATIONS | 1 |
| OUTLINE AND DIMENSIONS | 2 |
| REFRIGERANT SYSTEM DIAGRAM | 4 |
| CIRCUIT DIAGRAM | 7 |
| INDOOR PRINTED CIRCUIT BOARD CIRCUIT DIAGRAM | 12 |
| P.C. BOARD LAYOUTS | 15 |
| ERROR CONTENTS | 17 |
| DISASSEMBLY ILLUSTRATION | 18 |
| PARTS LIST | 42 |

S P E C I F I C A T I O N S

| TYPE | | COOL & HEAT | COOL | COOL & HEAT | COOL | COOL & HEAT | COOL | COOL & HEAT |
|------------------|------|-------------|-------------|-------------|-------------|-------------|-------------|-------------|
| INDOOR UNIT | | RJW-14HB | RJW-18CB | RJW-18HB | RJW-24CB | RJW-24HB | RJW-30CB | RJW-30HB |
| OUTDOOR UNIT | | ROW-14HB | ROW-18CB | ROW-18HB | ROW-24CB | ROW-24HB | ROW-30CB | ROW-30HB |
| COOLING CAPACITY | (kW) | 4.20 - 4.30 | 5.30 - 5.40 | 5.30 - 5.40 | 6.80 - 6.90 | 6.80 - 6.90 | 8.05 - 8.20 | 7.80 - 8.00 |
| HEATING CAPACITY | | 4.80 - 4.90 | — | 5.50 - 5.60 | — | 7.70 - 7.80 | — | 8.55 - 8.80 |

ELECTRICAL DATA

| | | | | | | | | | |
|--------------------|---------|-----------|-------------|-------------|-------------|-------------|-------------|-------------|-------------|
| POWER SOURCE | (V) | 220 - 240 | | | | | | | |
| FREQUENCY | (Hz) | 50 | | | | | | | |
| RUNNING CURRENT | (A) | COOLING | 7.2 - 7.2 | 8.4 - 8.0 | 8.8 - 8.5 | 12.2 - 11.3 | 11.9 - 11.1 | 13.8 - 13.7 | 13.7 - 13.5 |
| | | HEATING | 7.3 - 7.3 | — | 7.8 - 7.7 | — | 12.1 - 11.4 | — | 14.5 - 14.4 |
| INPUT WATTS | (kW) | COOLING | 1.54 - 1.63 | 1.84 - 1.89 | 1.89 - 1.98 | 2.61 - 2.65 | 2.60 - 2.65 | 2.96 - 3.08 | 2.93 - 3.05 |
| | | HEATING | 1.51 - 1.63 | — | 1.70 - 1.80 | — | 2.64 - 2.72 | — | 3.13 - 3.25 |
| E.E.R. | (kW/kW) | COOLING | 2.73 - 2.64 | 2.88 - 2.86 | 2.80 - 2.73 | 2.61 - 2.60 | 2.62 - 2.60 | 2.72 - 2.66 | 2.66 - 2.62 |
| | | HEATING | 3.18 - 3.01 | — | 3.24 - 3.11 | — | 2.92 - 2.87 | — | 2.73 - 2.71 |
| MOISTURE REMOVAL | (ℓ/hr) | 1.8 | 2.0 | | 2.5 | | 3.5 | | |
| AIR CIRCULATION-Hi | (m³/hr) | 580 | 760 | | 900 | | 950 | | |

COMPRESSOR

| | | | | | | | | |
|-------------|--|--------------|----------|----------|-------|----------|-------|-------|
| TYPE | Hermetic type, Deposit electrode condenser, 2 poles, Single phase, Induction motor | | | | | | | |
| CODE | QJ282PC24A | 2JS318D5BA02 | PH33VTTT | NH44VNBT | | NH52VNHT | | |
| REFRIGERANT | R-22 (g) | 1,300 | 1,400 | 1,900 | 1,850 | 2,200 | 2,300 | 2,450 |

FAN MOTOR

| | | | | | | | | |
|--------------|--------------------|-----------|------------|------------|------------|------------|-----------|--|
| POWER SOURCE | (V) | 220 - 240 | | | | | | |
| INDOOR UNIT | TYPE | MFD-30HO | | | | | | |
| | HI-SPEED (r.p.m.) | 930 | 1,150 | | 1,300 | | 1,380 | |
| | MED-SPEED (r.p.m.) | 860 | 1,030 | | 1,160 | | 1,280 | |
| | LO-SPEED (r.p.m.) | 800 | 930 | | 1,020 | | 1,180 | |
| OUTDOOR UNIT | TYPE | MFB-14VTT | MFB-247FBT | MFB-252TAT | MFB-247FBT | MFB-252TAT | MFB-30DFT | |
| | (r.p.m.) | 750 | 735 | | | | 730 | |

DIMENSIONS

| | | | | | | | |
|--------------|-----------|-------------------|-----------------|--|--|-----------------|--|
| INDOOR UNIT | H x W x D | 270 x 1,150 x 285 | | | | | |
| OUTDOOR UNIT | (mm) | 530 x 750 x 250 | 643 x 840 x 336 | | | 900 x 900 x 350 | |

WEIGHT

| | | | | | | | | |
|--------------|-------------|---------|---------|---------|---------|---------|---------|---------|
| INDOOR UNIT | GROSS / NET | 20 / 16 | | | | | | |
| OUTDOOR UNIT | (kg) | 39 / 37 | 67 / 59 | 76 / 68 | 73 / 65 | 77 / 69 | 91 / 79 | 92 / 80 |

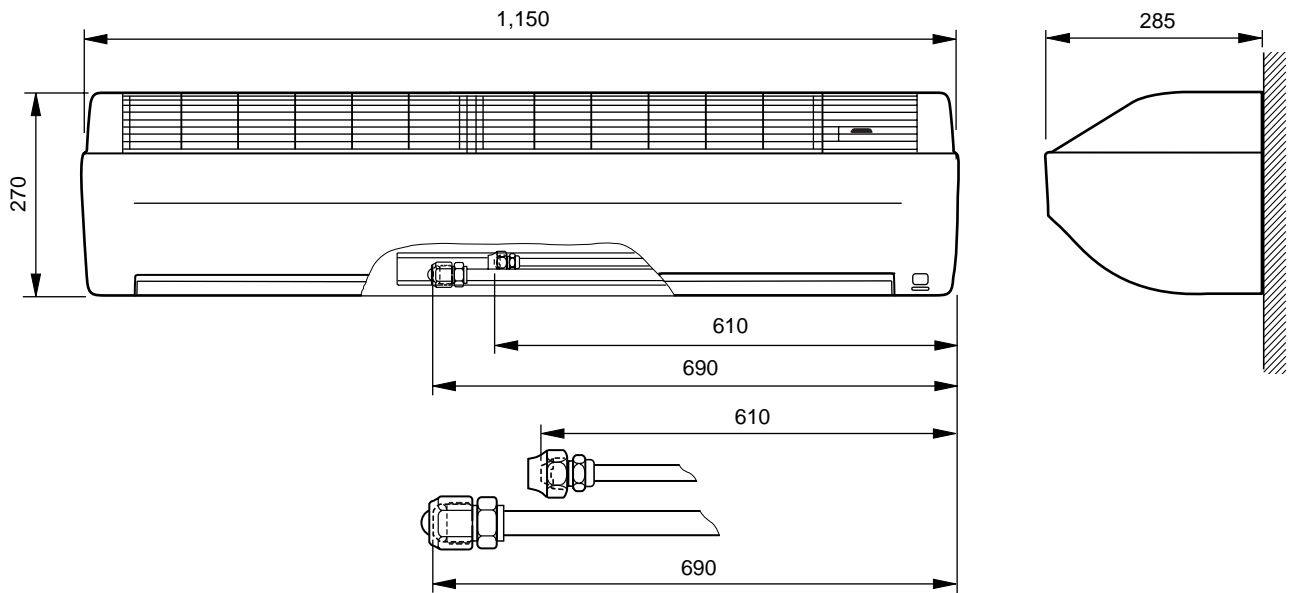
REFRIGERANT CHARGE

| MODELS | PIPE LENGTH | 5 m | 7.5 m | 10 m | 15 m | 20 m | 25 m | 30 m | Additional refrigerant |
|--------------------|-------------|----------------------|----------------------|----------------------|----------------------|-----------------------|-----------------------|----------------------|---|
| | | (16 ft) | (25 ft) | (33 ft) | (49 ft) | (66 ft) | (82 ft) | (98 ft) | |
| FULL CHARGE AMOUNT | RJW-14HB | 1,300 g (45.8 oz) | 1,350 g (47.6 oz) | 1,400 g (49.4 oz) | 1,500 g (52.9 oz) | — | | | 20 g (0.71 oz)/1 m (3.3 ft) (over 5 m) |
| | RJW-18CB | 1,400 g (49.4 oz) | | 1,450 g (51.1 oz) | 1,550 g (54.7 oz) | 1,650 g (58.2 oz) | — | | 20 g (0.71 oz)/1 m (3.3 ft) (over 7.5 m) |
| | RJW-18HB | 1,900 g (67.0 oz) | | 2,000 g (70.5 oz) | 2,200 g (77.6 oz) | 2,400 g (84.7 oz) | — | | 40 g (1.41 oz)/1 m (3.3 ft) (over 7.5 m) |
| | RJW-24CB | 1,850 g (65.3 oz) | | 1,900 g (67.0 oz) | 2,000 g (70.5 oz) | 2,100 g (74.1 oz) | — | | 20 g (0.71 oz)/1 m (3.3 ft) (over 7.5 m) |
| | RJW-24HB | 2,200 g (77.6 oz) | | 2,300 g (81.1 oz) | 2,500 g (88.2 oz) | 2,700 g (95.2 oz) | — | | 40 g (1.41 oz)/1 m (3.3 ft) (over 7.5 m) |
| | RJW-30CB | 2,300 g (81.1 oz) | | 2,350 g (82.9 oz) | 2,450 g (86.4 oz) | 2,550 g (89.9 oz) | 2,650 g (93.5 oz) | 2,750 g (97.0 oz) | 20 g (0.71 oz)/1 m (3.3 ft) (over 7.5 m) |
| | RJW-30HB | 2,450 g (86.4 oz) | | 2,550 g (89.9 oz) | 2,750 g (97.0 oz) | 2,950 g (104.1 oz) | 3,150 g (111.1 oz) | — | |

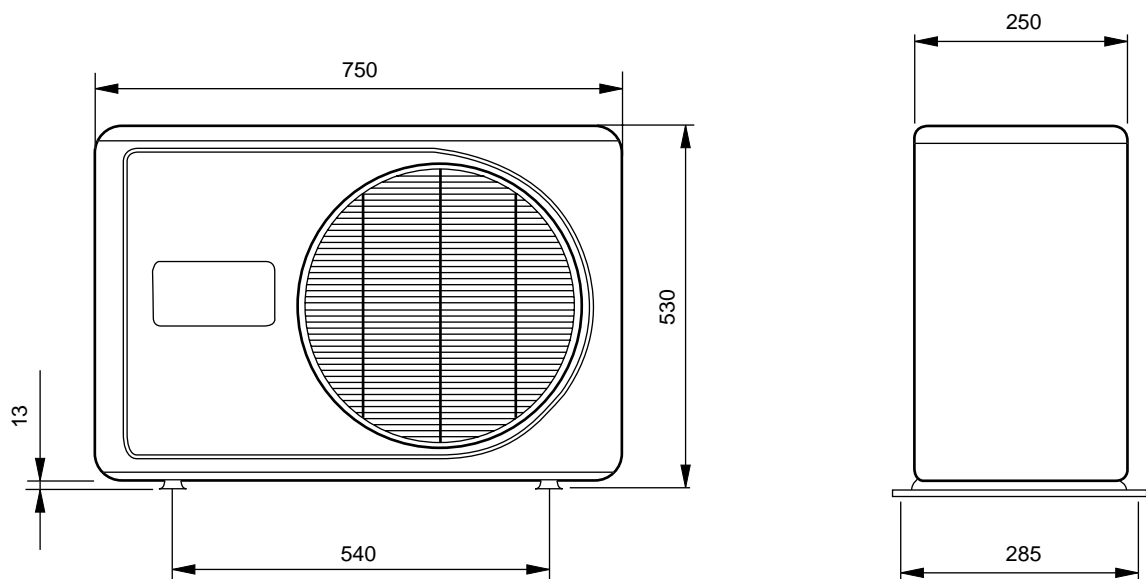
OUTLINE AND DIMENSIONS

Models : RJW-14HB, RJW-18CB
RJW-18HB, RJW-24CB
RJW-24HB, RJW-30CB
RJW-30HB

Unit : mm

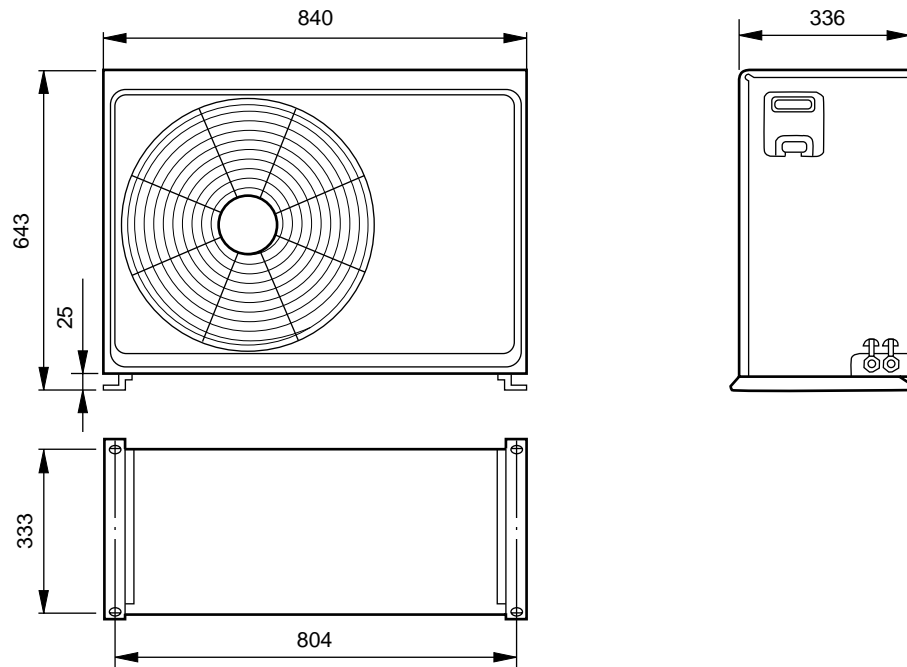


Model : ROW-14HB

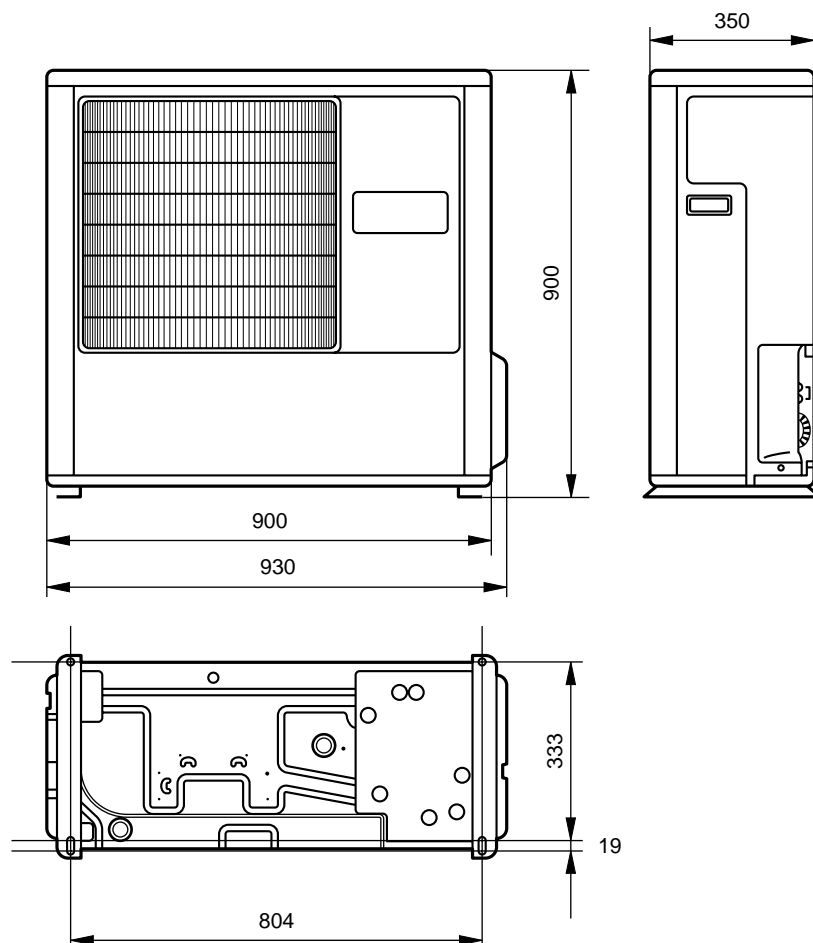


Unit : mm

**Models : ROW-18CB
ROW-18HB
ROW-24CB
ROW-24HB**

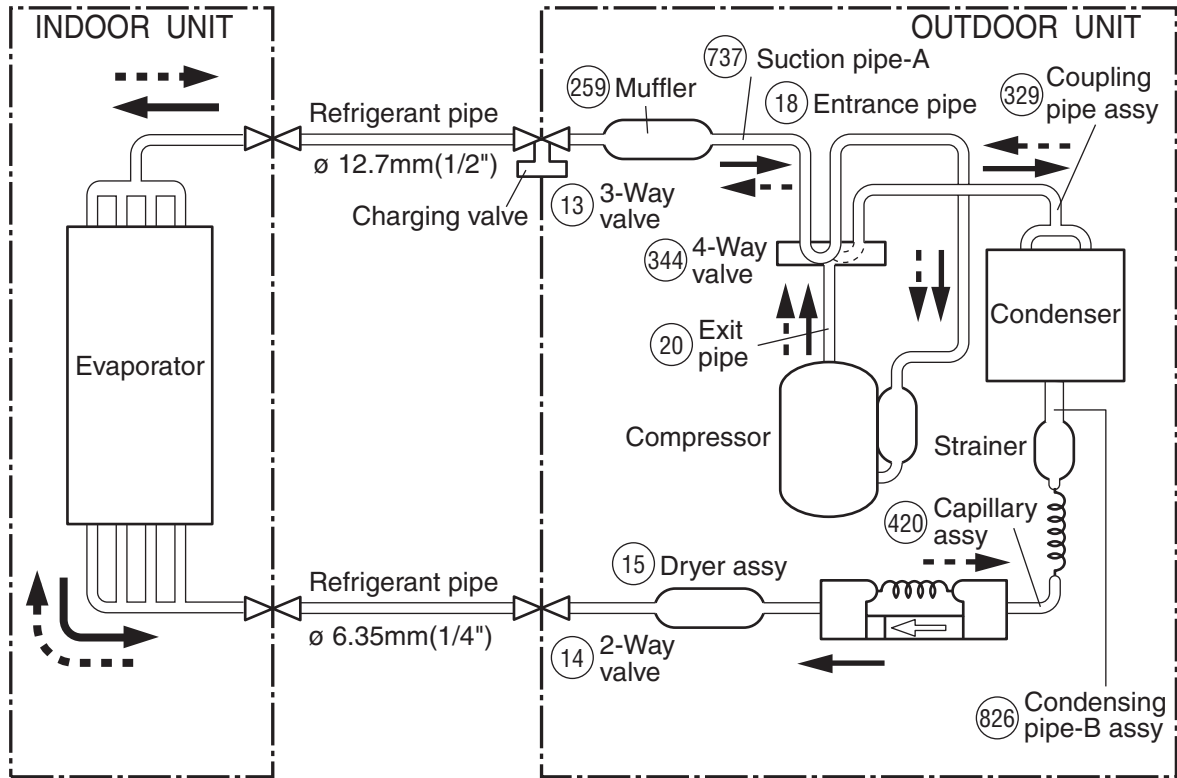


**Models : ROW-30CB
ROW-30HB**



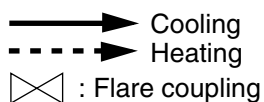
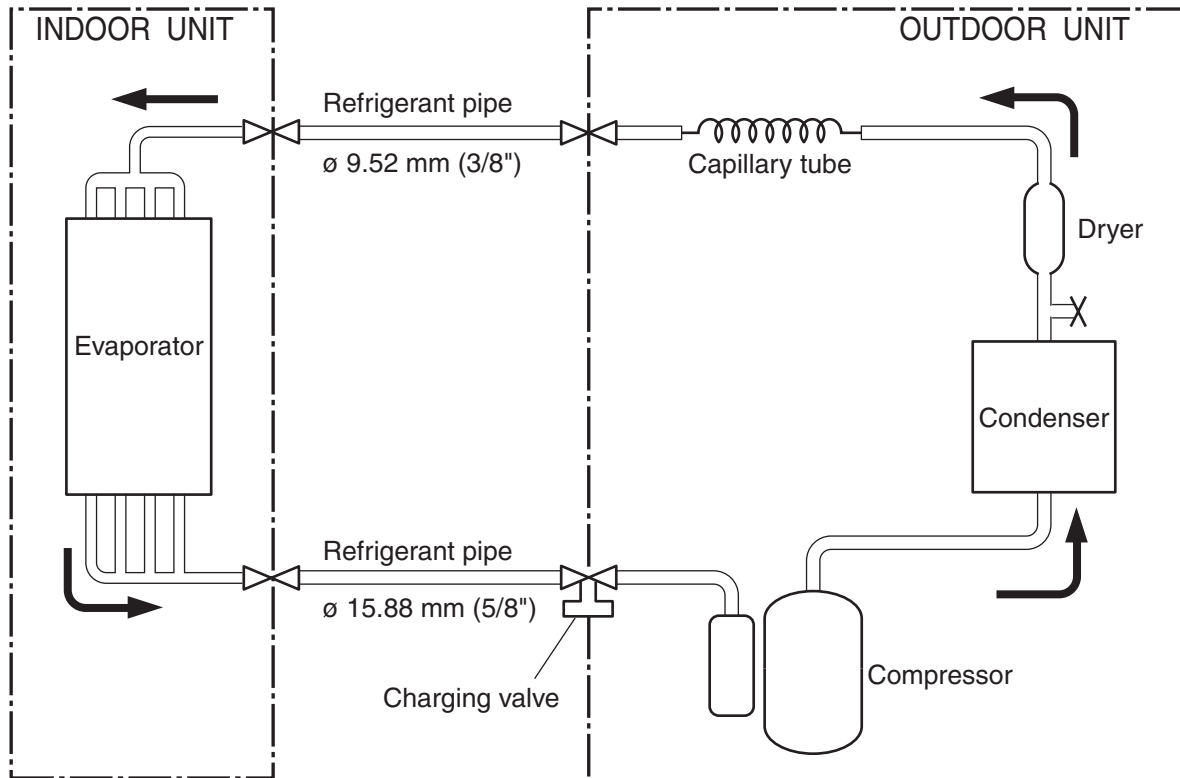
REFRIGERANT SYSTEM DIAGRAM

Models : RJW-14HB / ROW-14HB

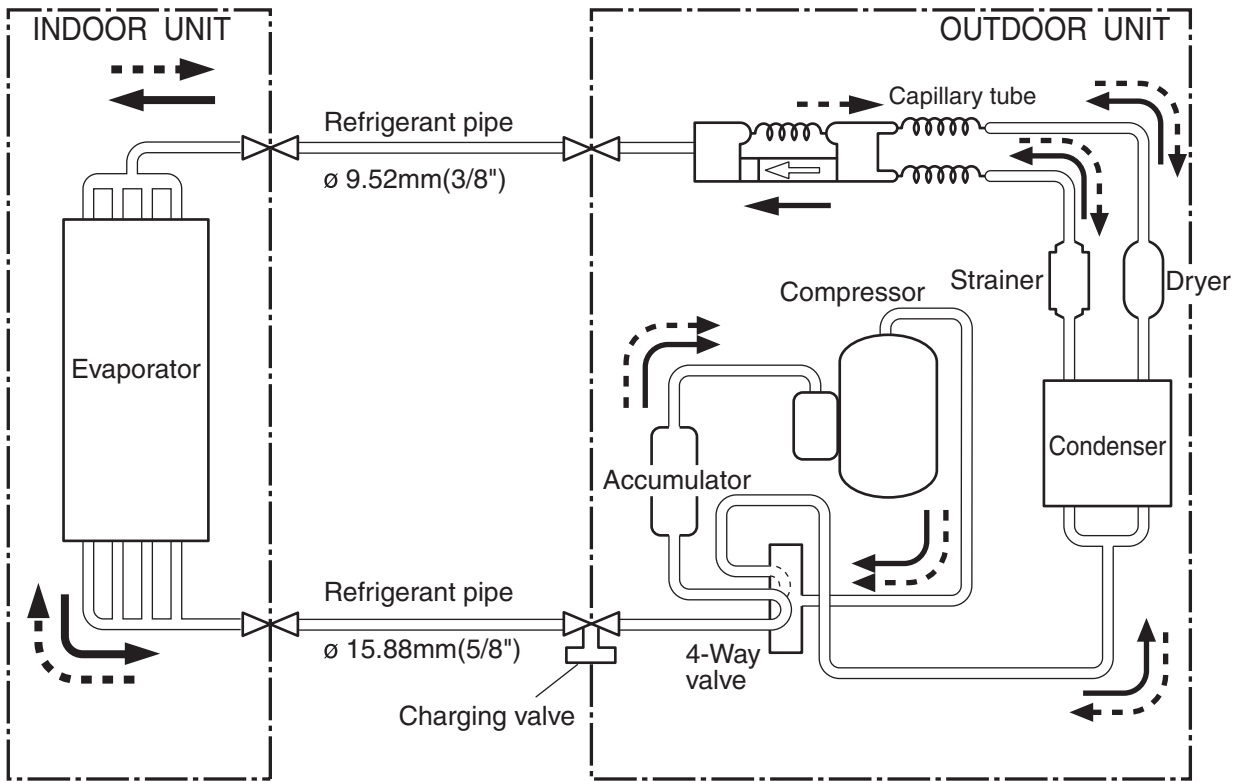


Circled figures show the Ref. No. in the parts list.

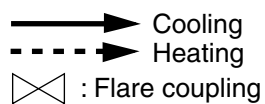
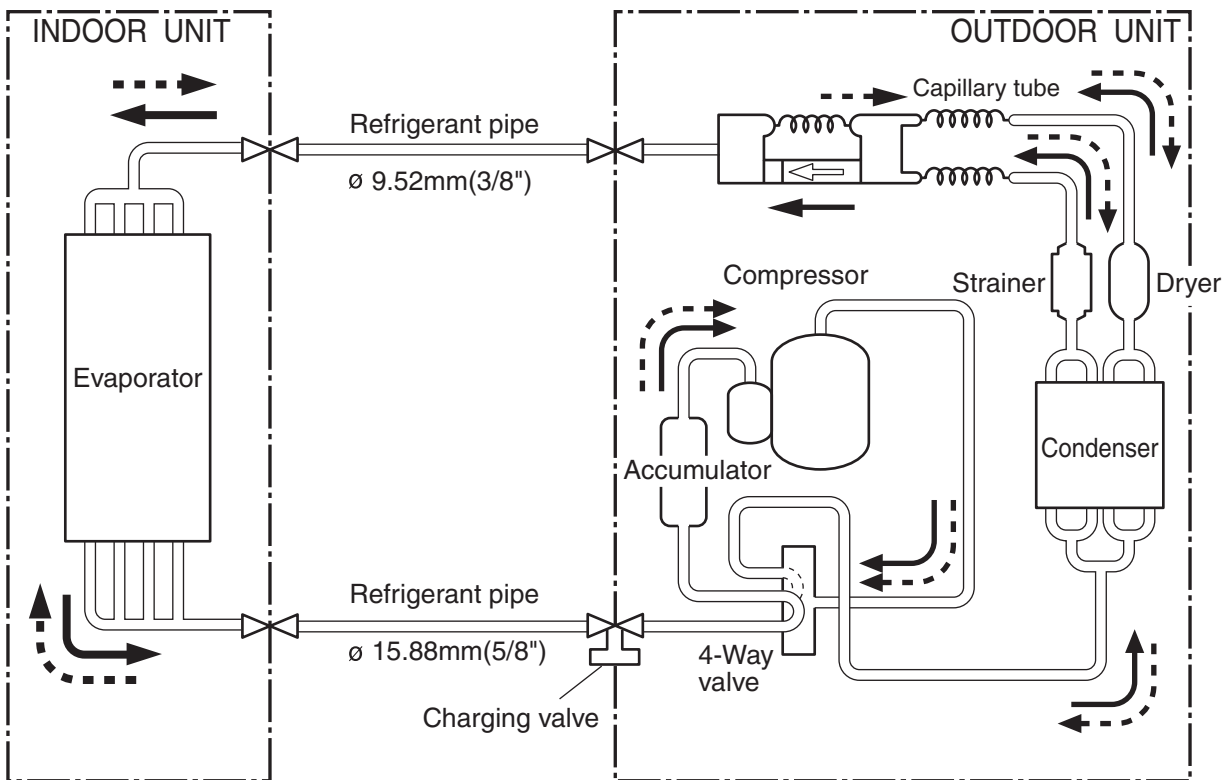
Models : RJW-18CB / ROW-18CB
RJW-24CB / ROW-24CB



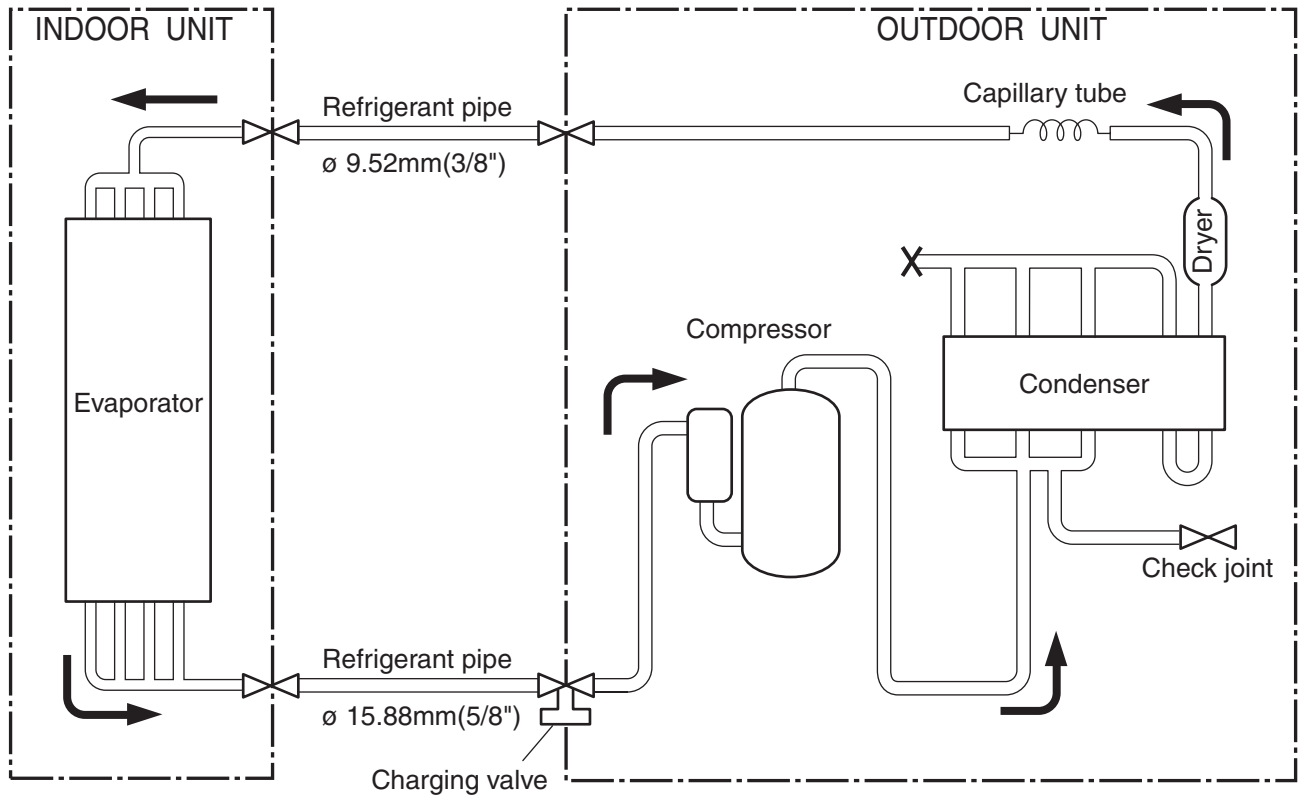
Models : RJW-18HB / ROW-18HB



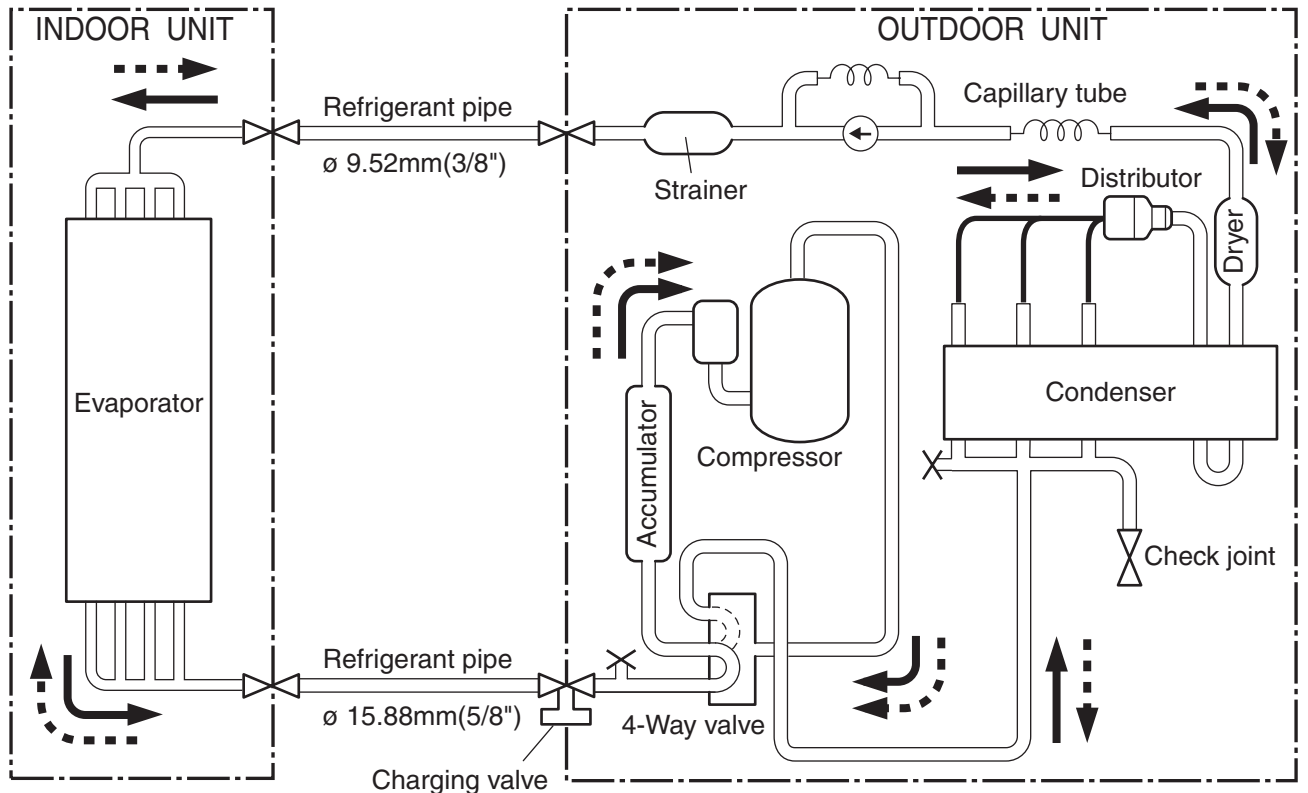
Models : RJW-24HB / ROW-24HB



Models : RJW-30CB / ROW-30CB



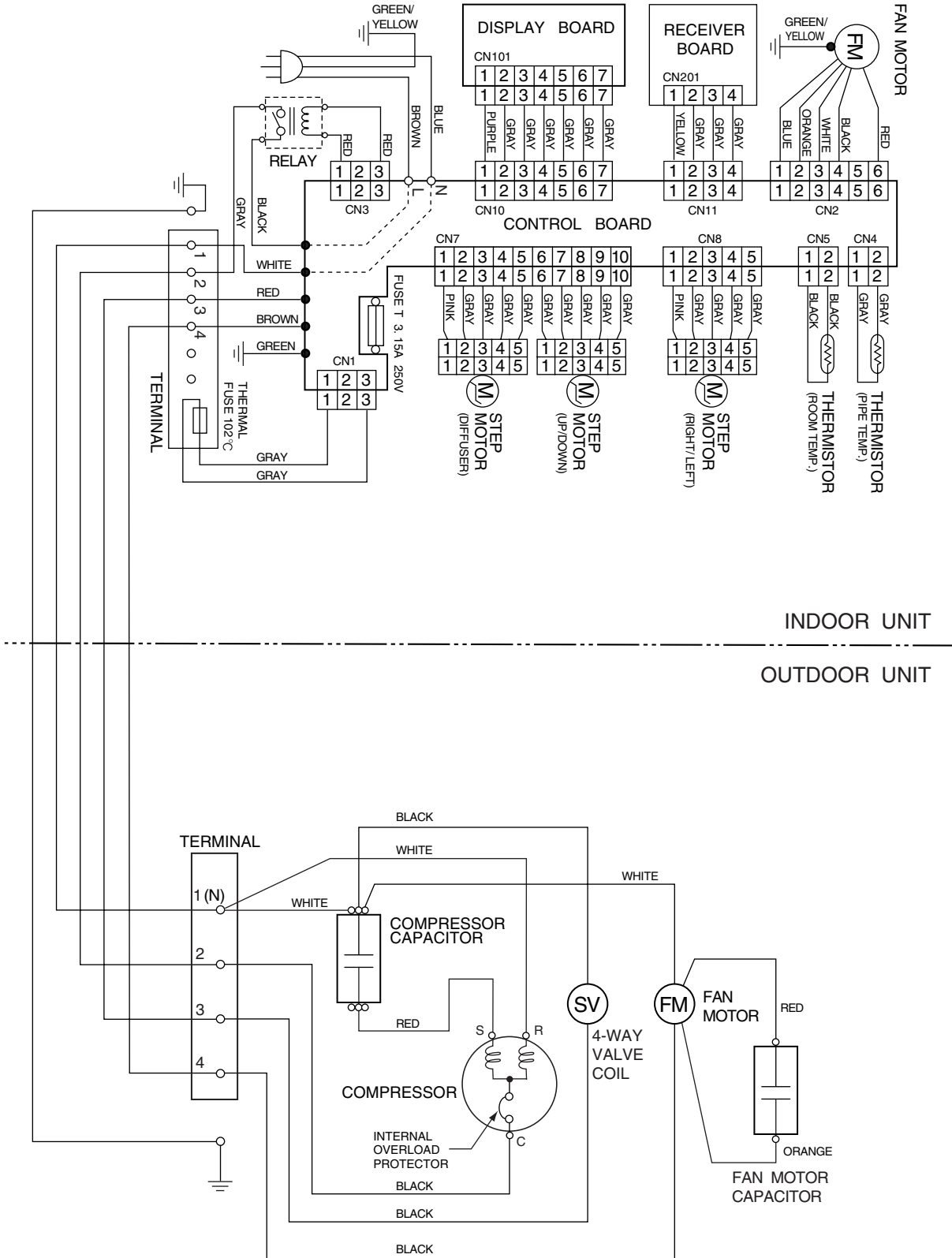
Models : RJW-30HB / ROW-30HB



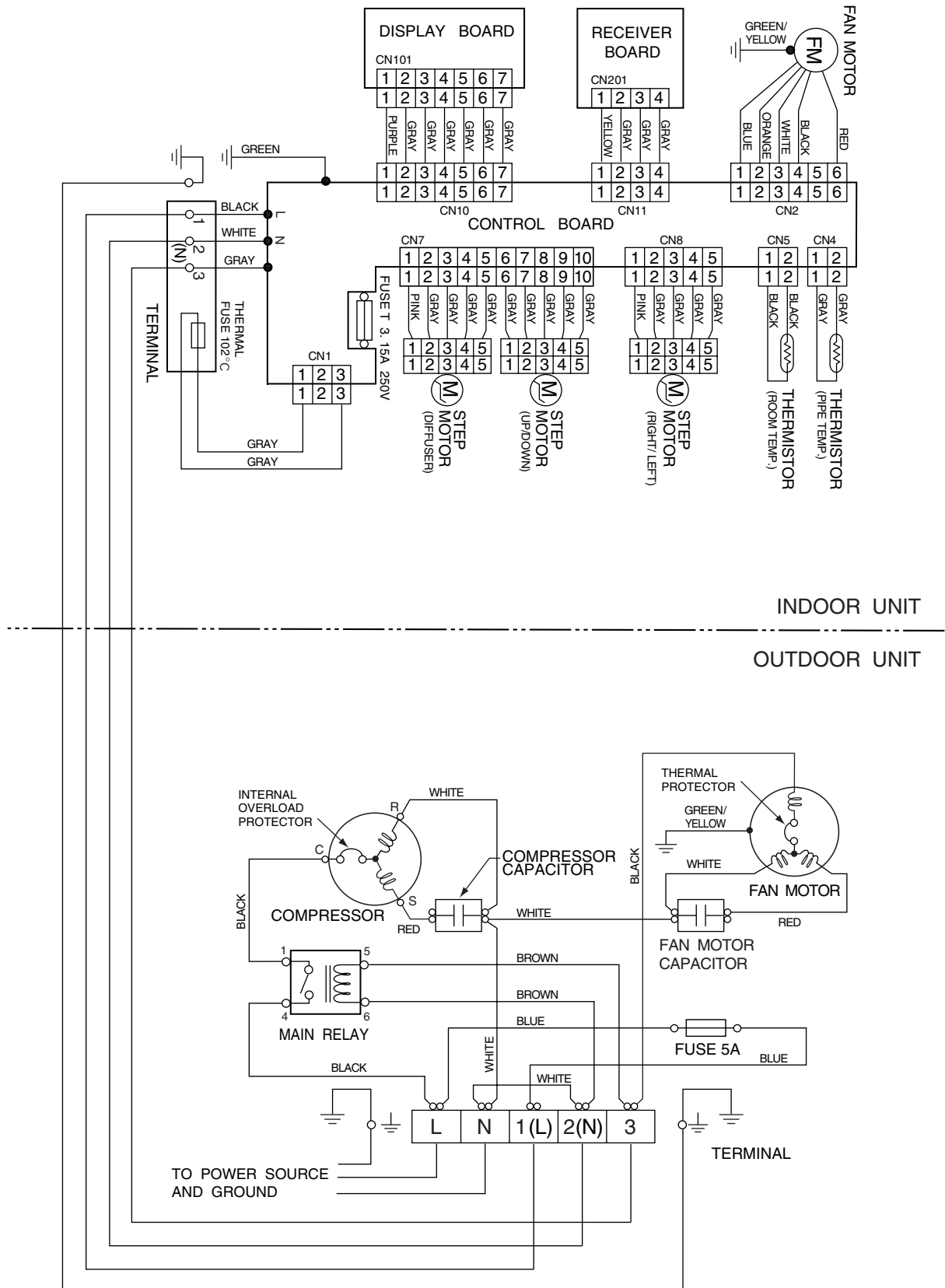
- Cooling
- - - - - Heating
- ⊗ : Flare coupling

CIRCUIT DIAGRAM

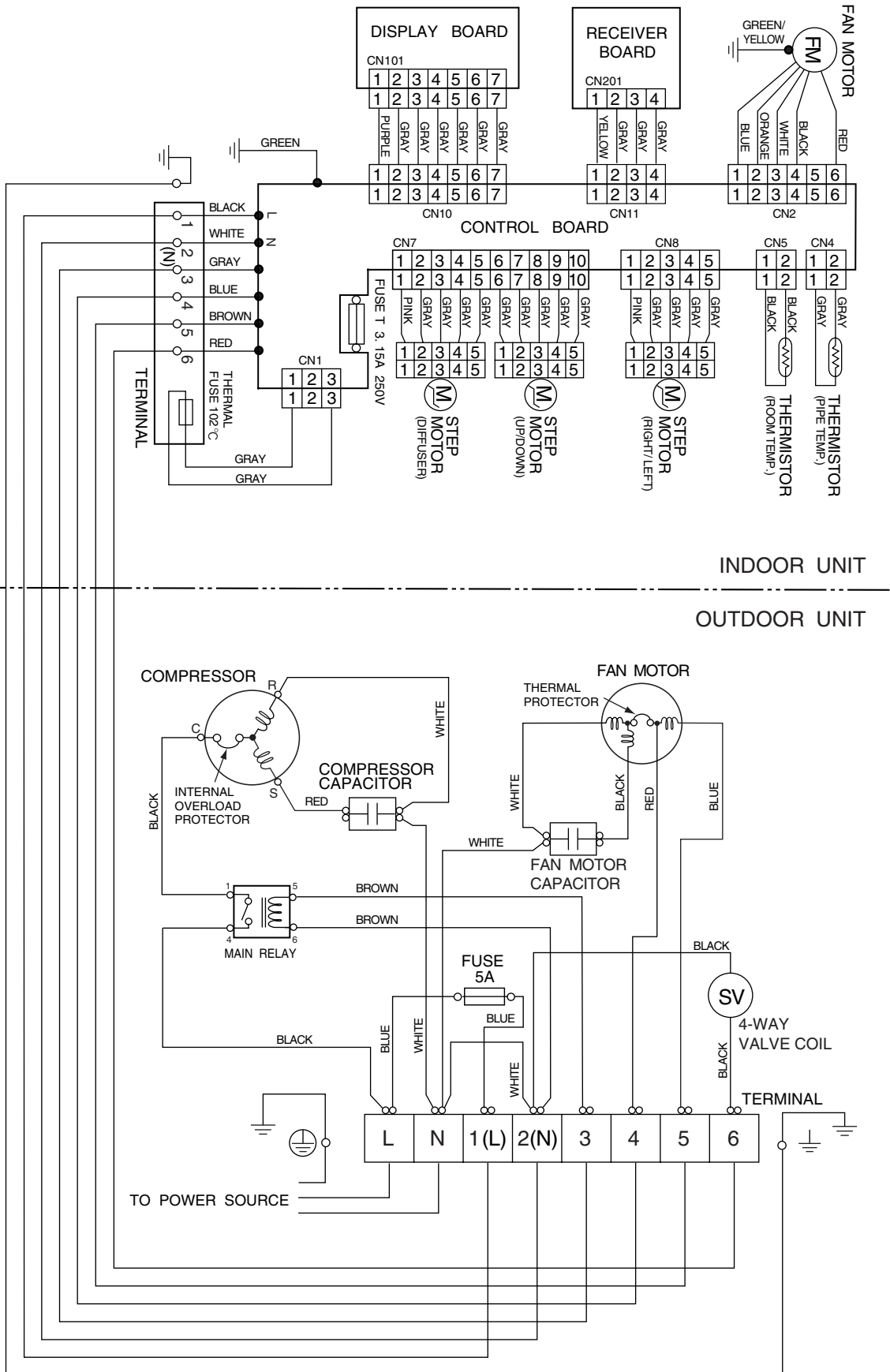
Models : RJW-14HB / ROW-14HB



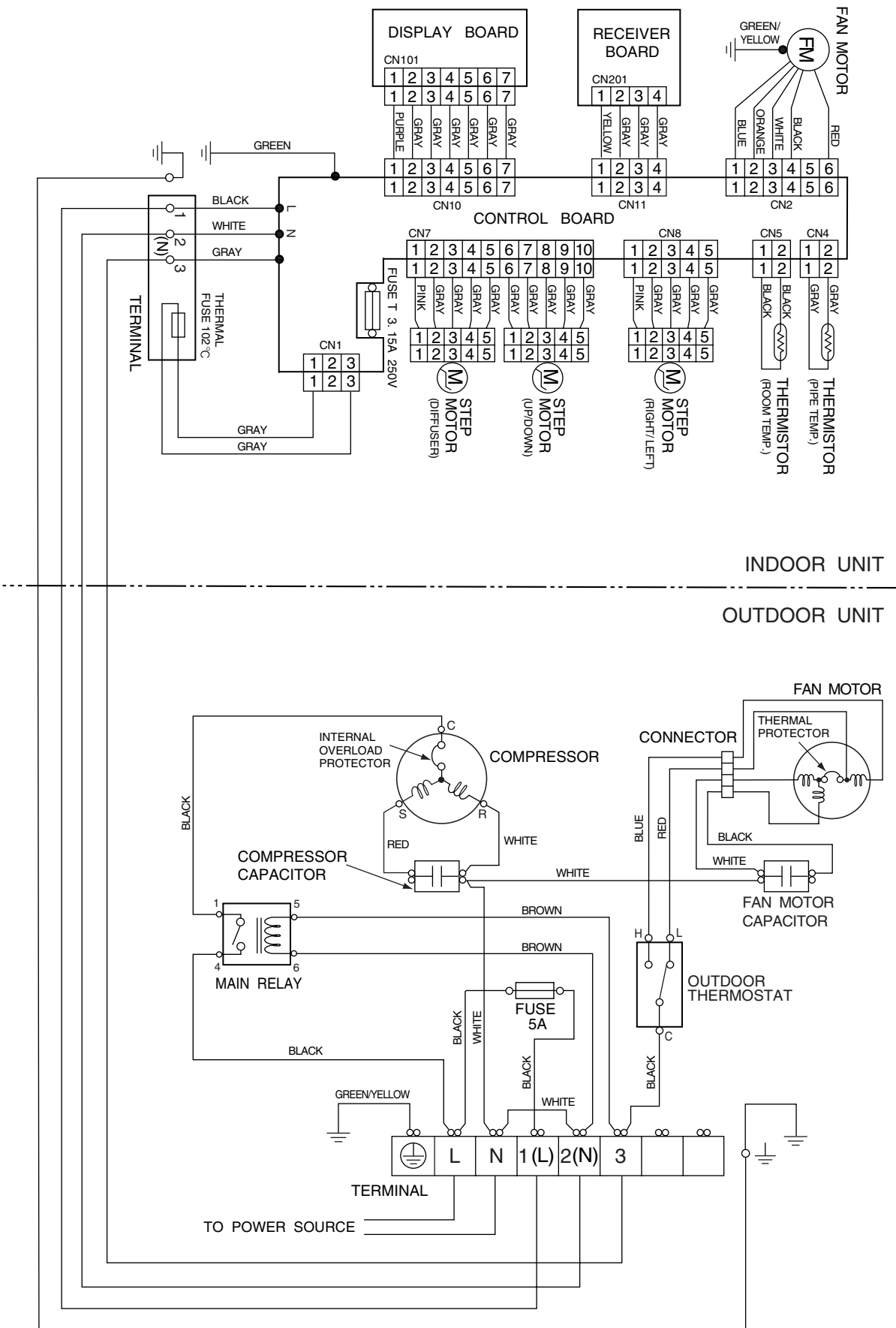
Models : RJW-18CB / ROW-18CB
 RJW-24CB / ROW-24CB



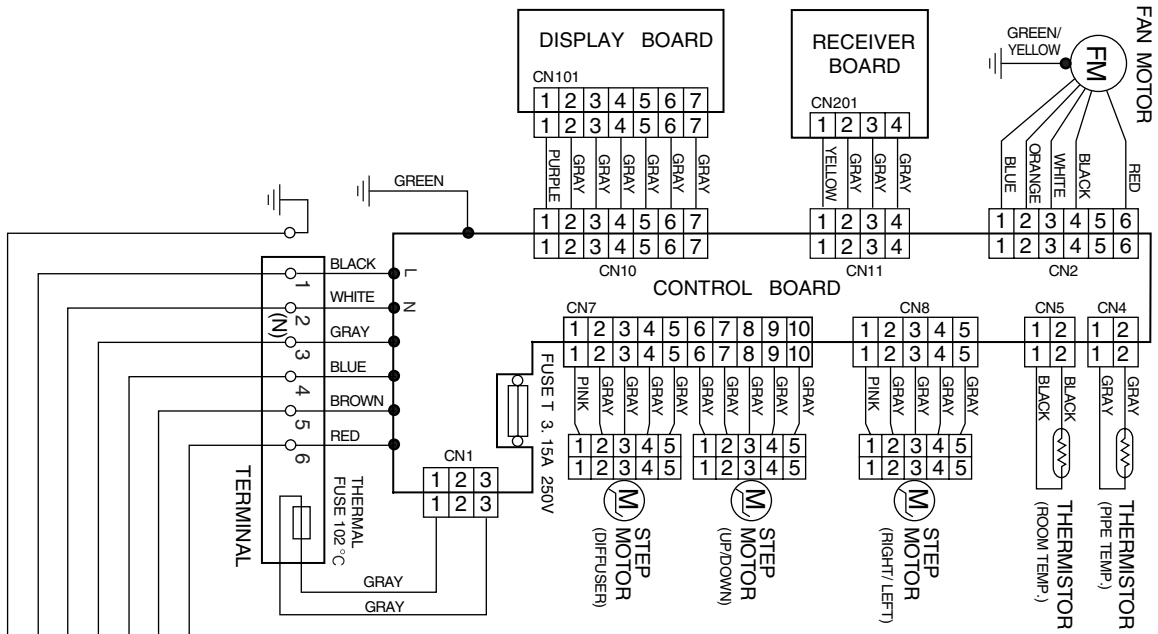
Models : RJW-18HB / ROW-18HB
 RJW-24HB / ROW-24HB



Models : RJW-30CB / ROW-30CB

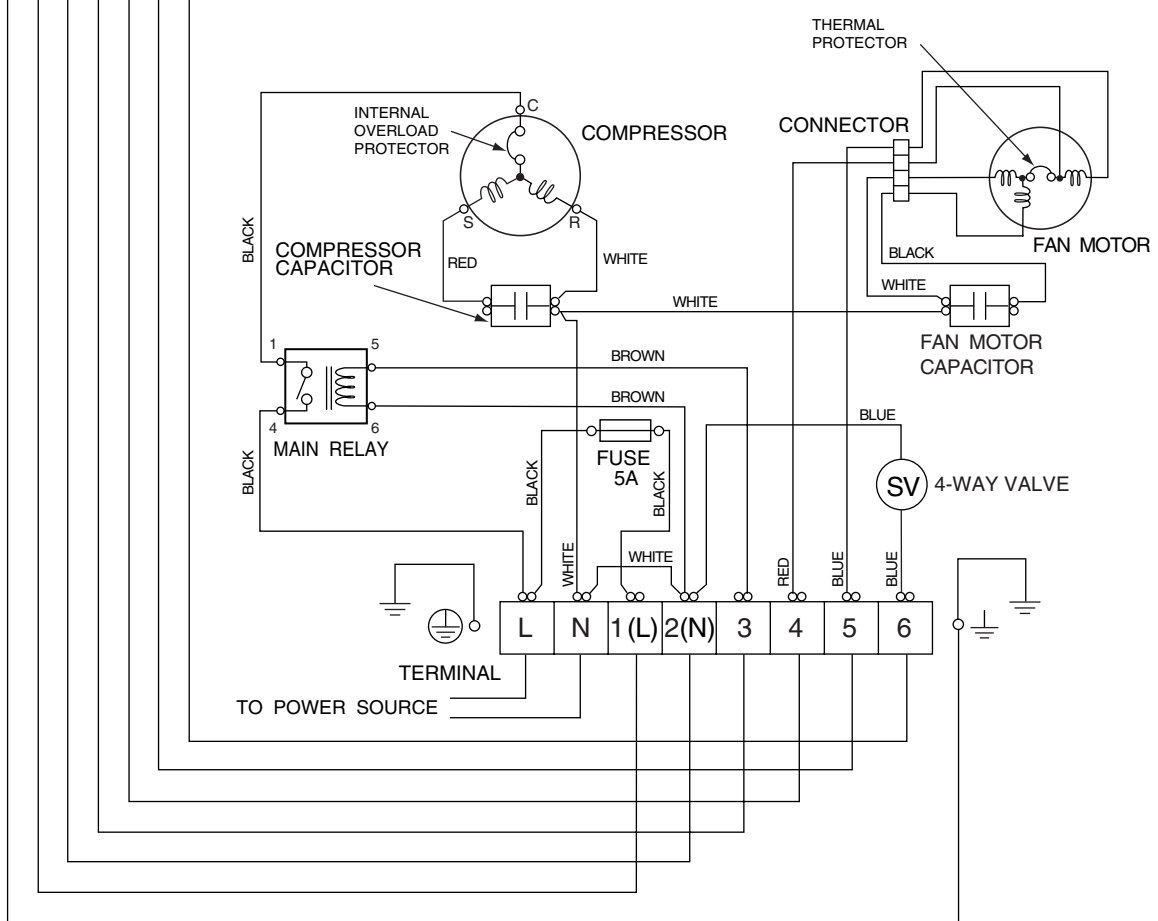


Models : RJW-30HB / ROW-30HB



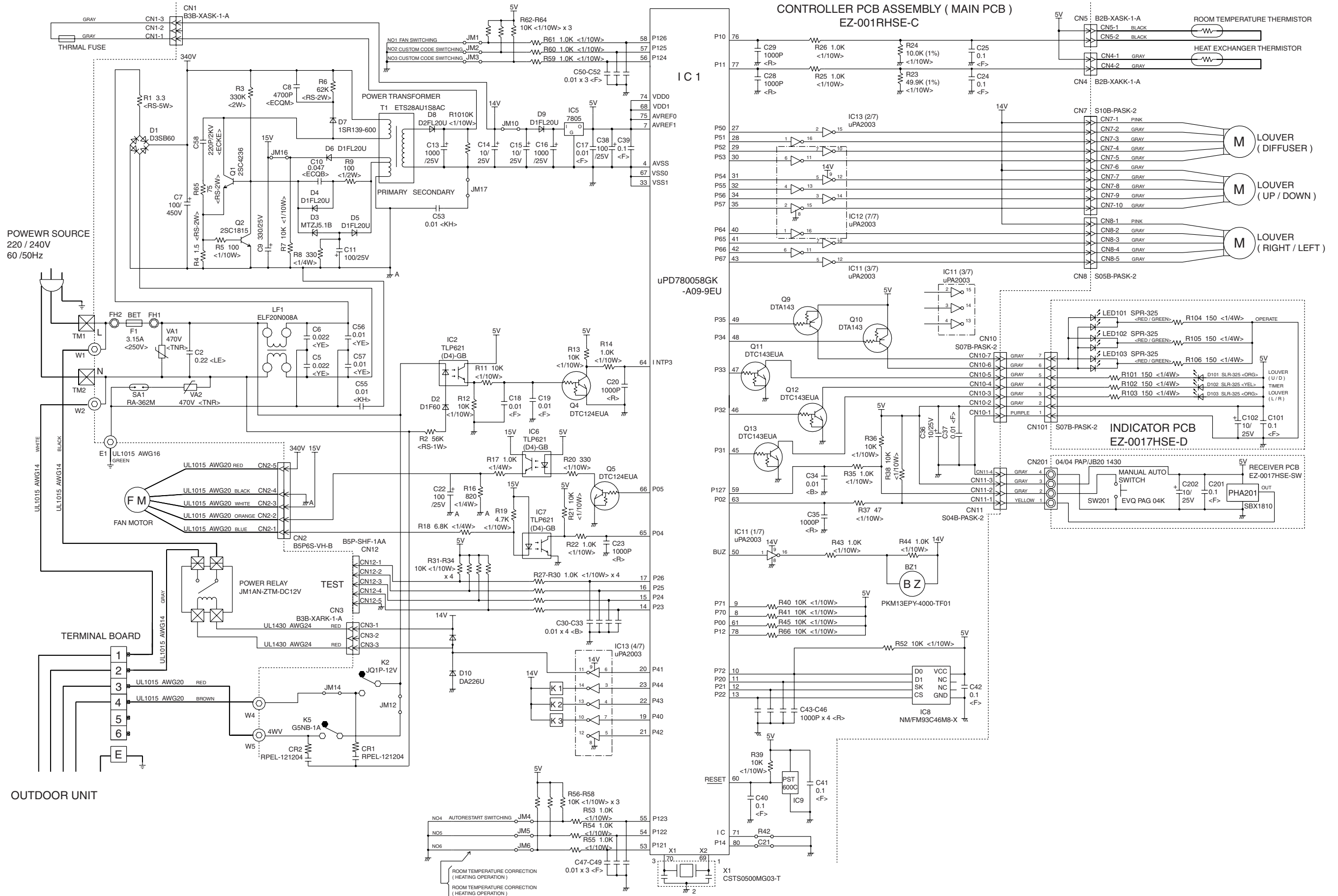
INDOOR UNIT

OUTDOOR UNIT

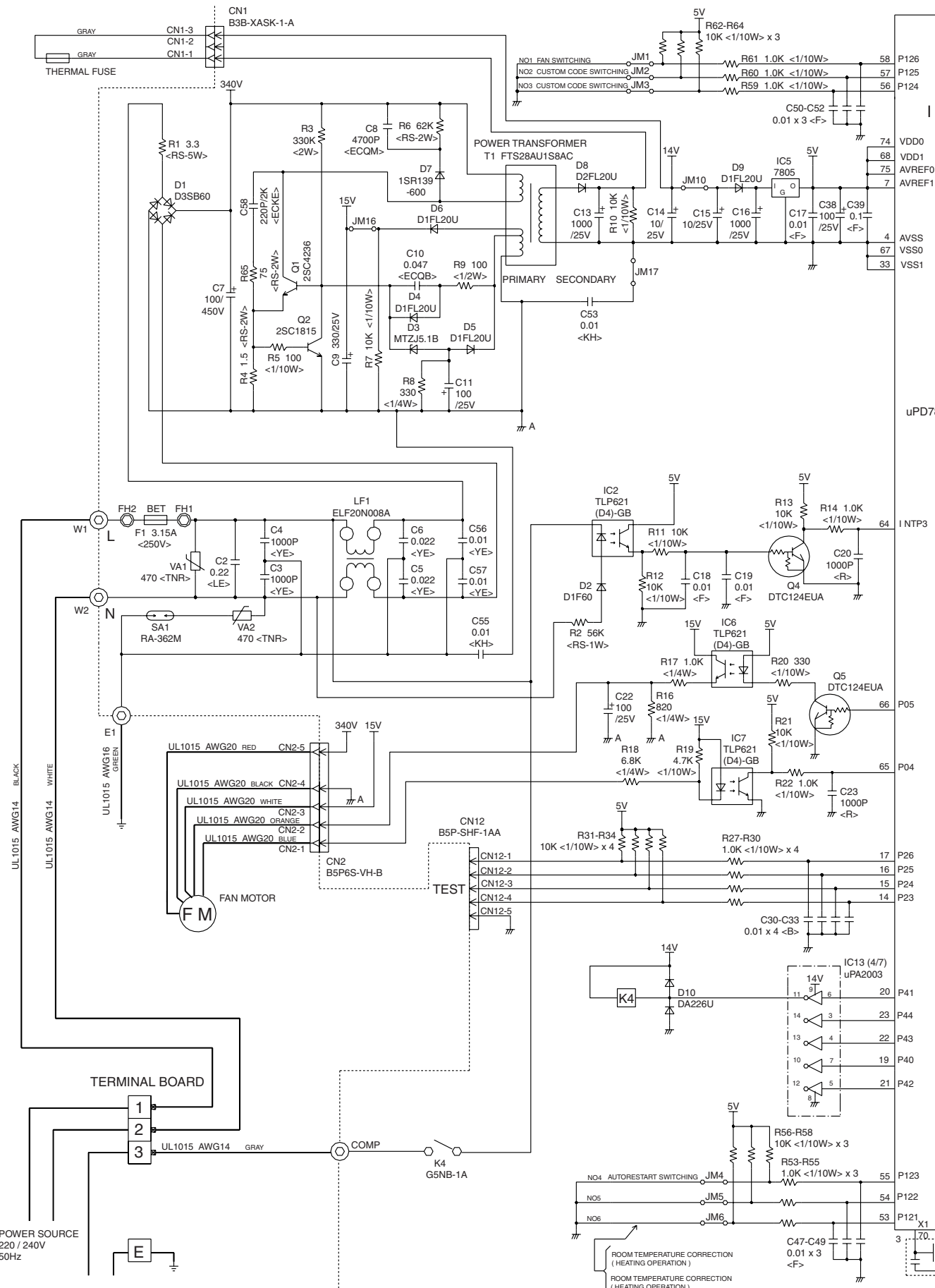


INDOOR PRINTED CIRCUIT BOARD CIRCUIT DIAGRAM

Model : RJW-14HB



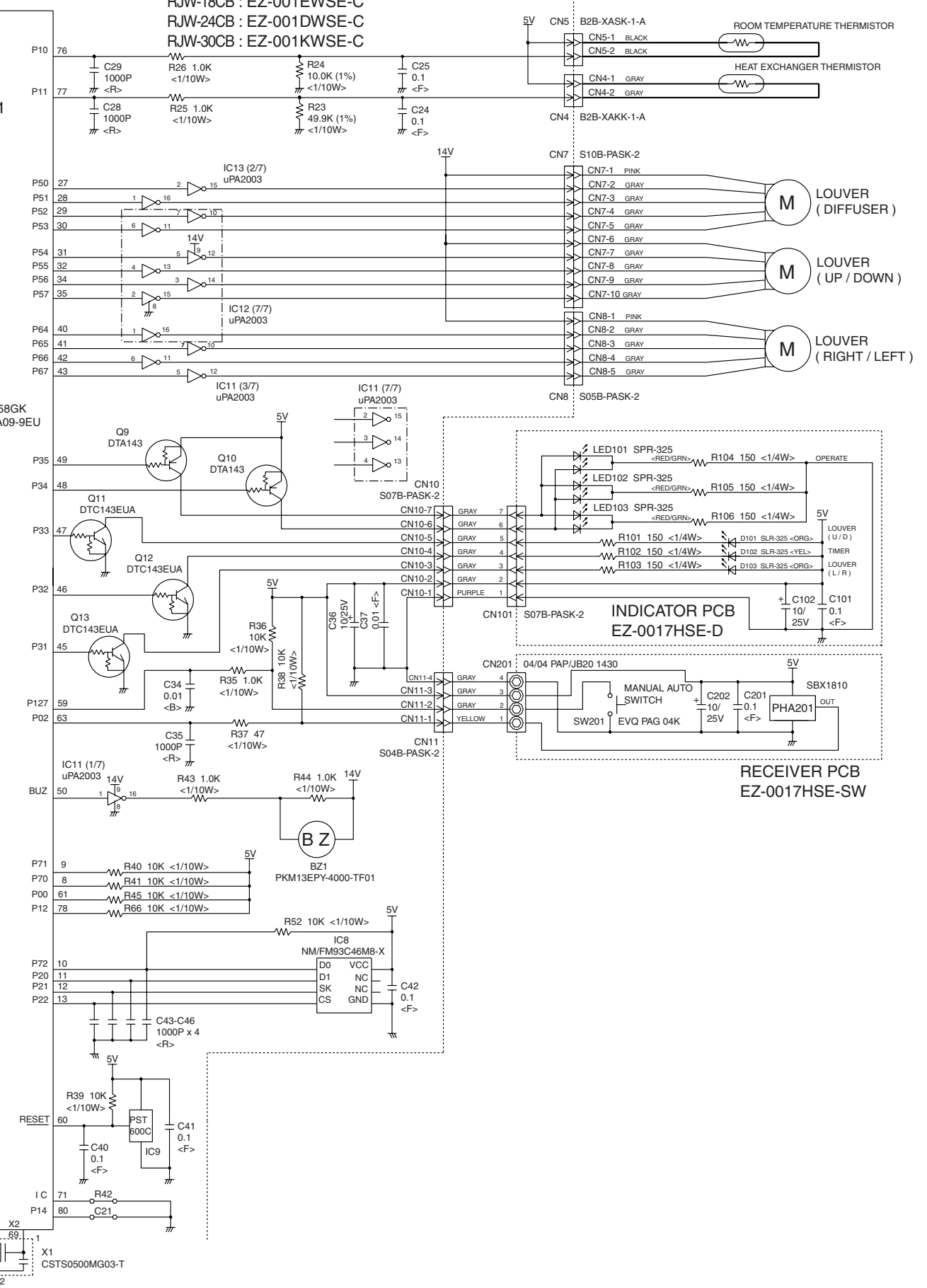
**Models : RJW-18CB
RJW-24CB
RJW-30CB**



OUTDOOR UNIT

CONTROLLER PCB ASSEMBLY (MAIN PCB)

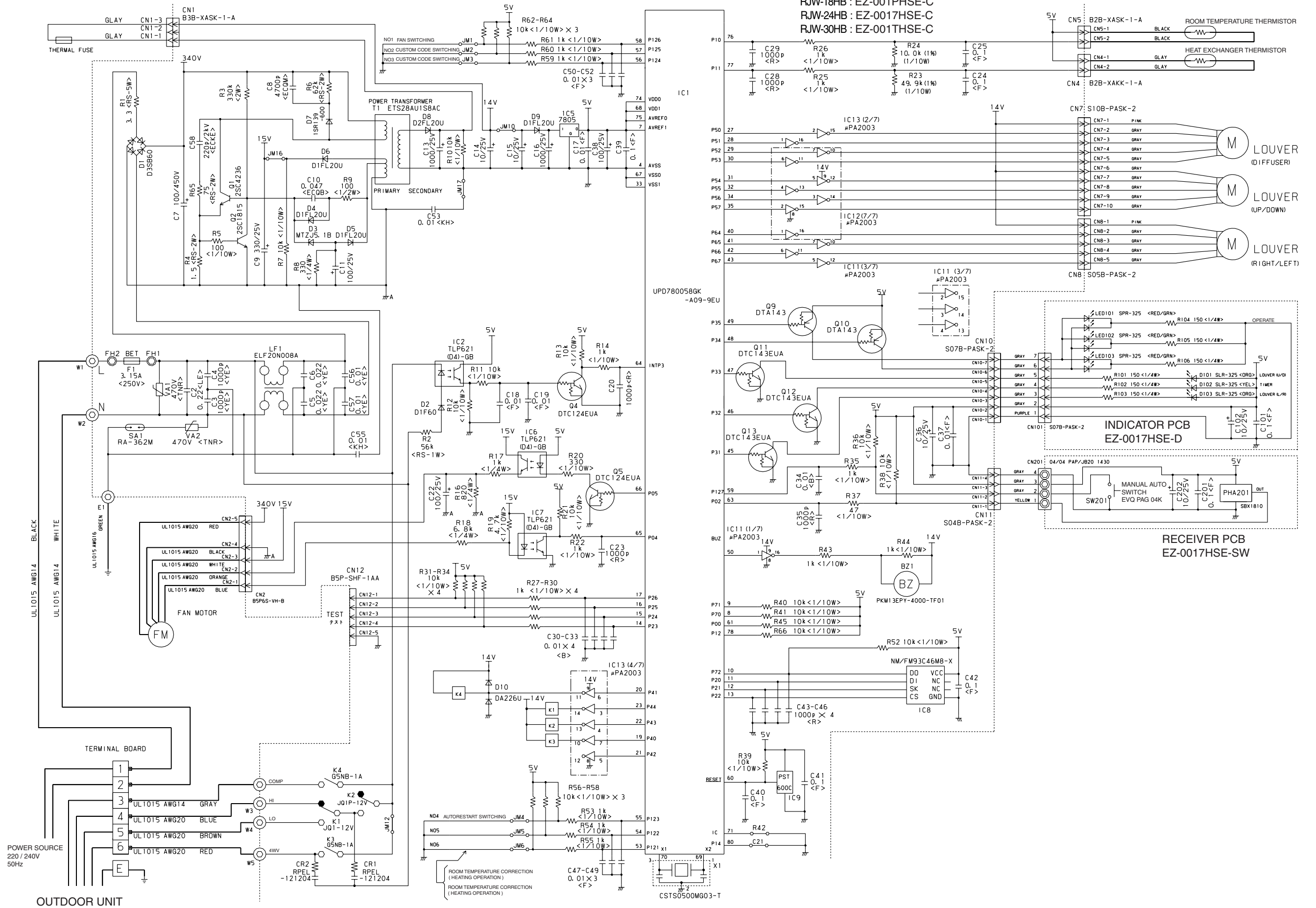
RJW-18CB : EZ-001EWSE-C
RJW-24CB : EZ-001DWSE-C
RJW-30CB : EZ-001KWSE-C



Models : RJW-18HB
 RJW-24HB
 RJW-30HB

CONTROLLER PCB ASSEMBLY (MAIN PCB)

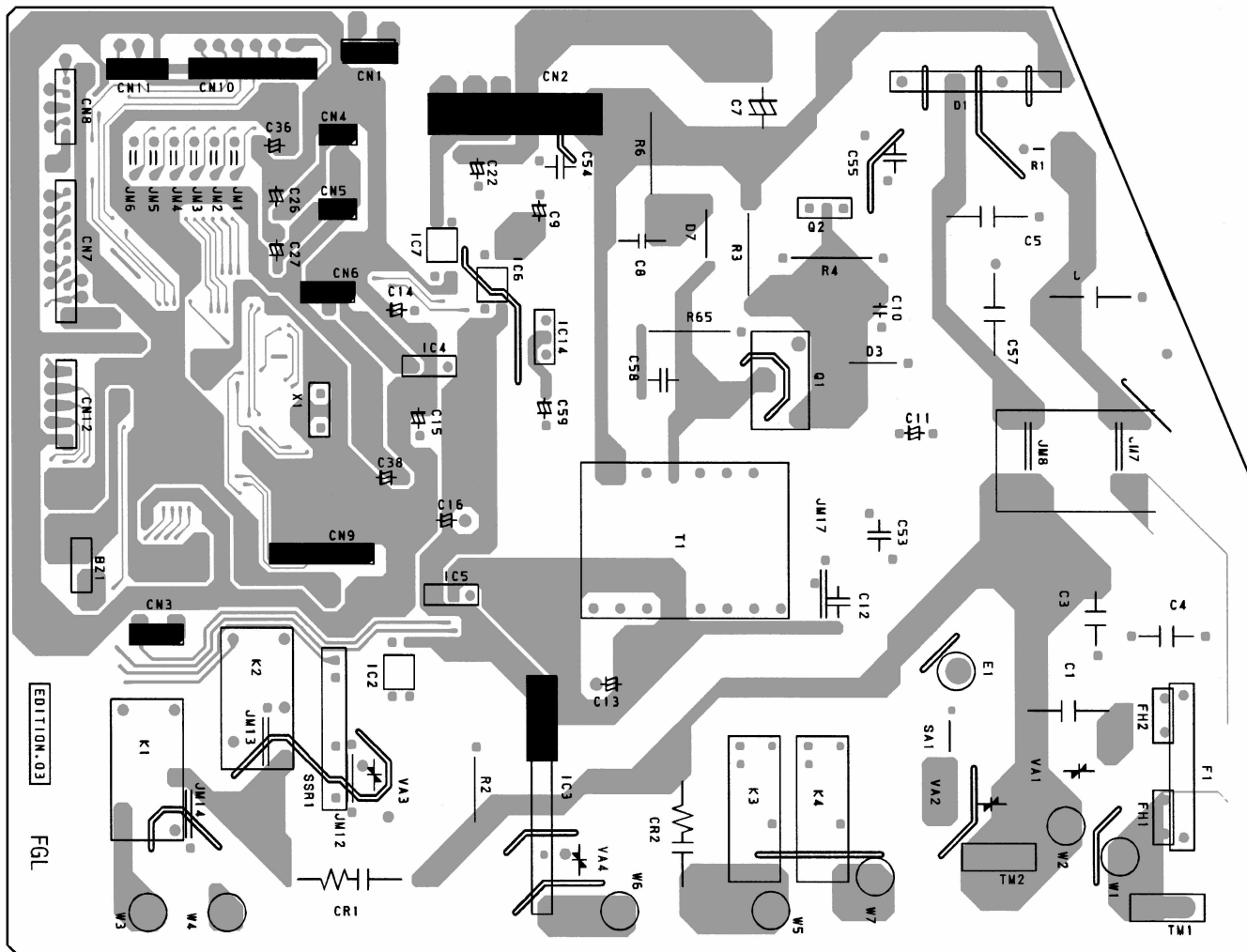
RJW-18HB : EZ-001PHSE-C
 RJW-24HB : EZ-0017HSE-C
 RJW-30HB : EZ-001THSE-C



P.C.B.O.A.R.D LAYOUTS

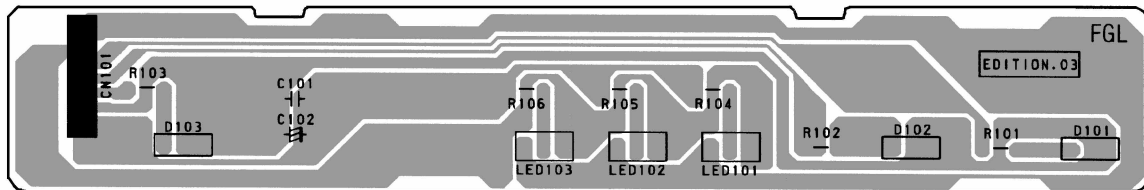
CONTROLLER PCB ASSEMBLY (MAIN PCB)

(Viewed from the solder side)



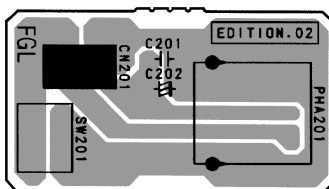
RECEIVER PCB ASSEMBLY

(Viewed from the solder side)



INDICATOR PCB ASSEMBLY

(Viewed from the solder side)



E R R O R C O N T E N T S

● Error

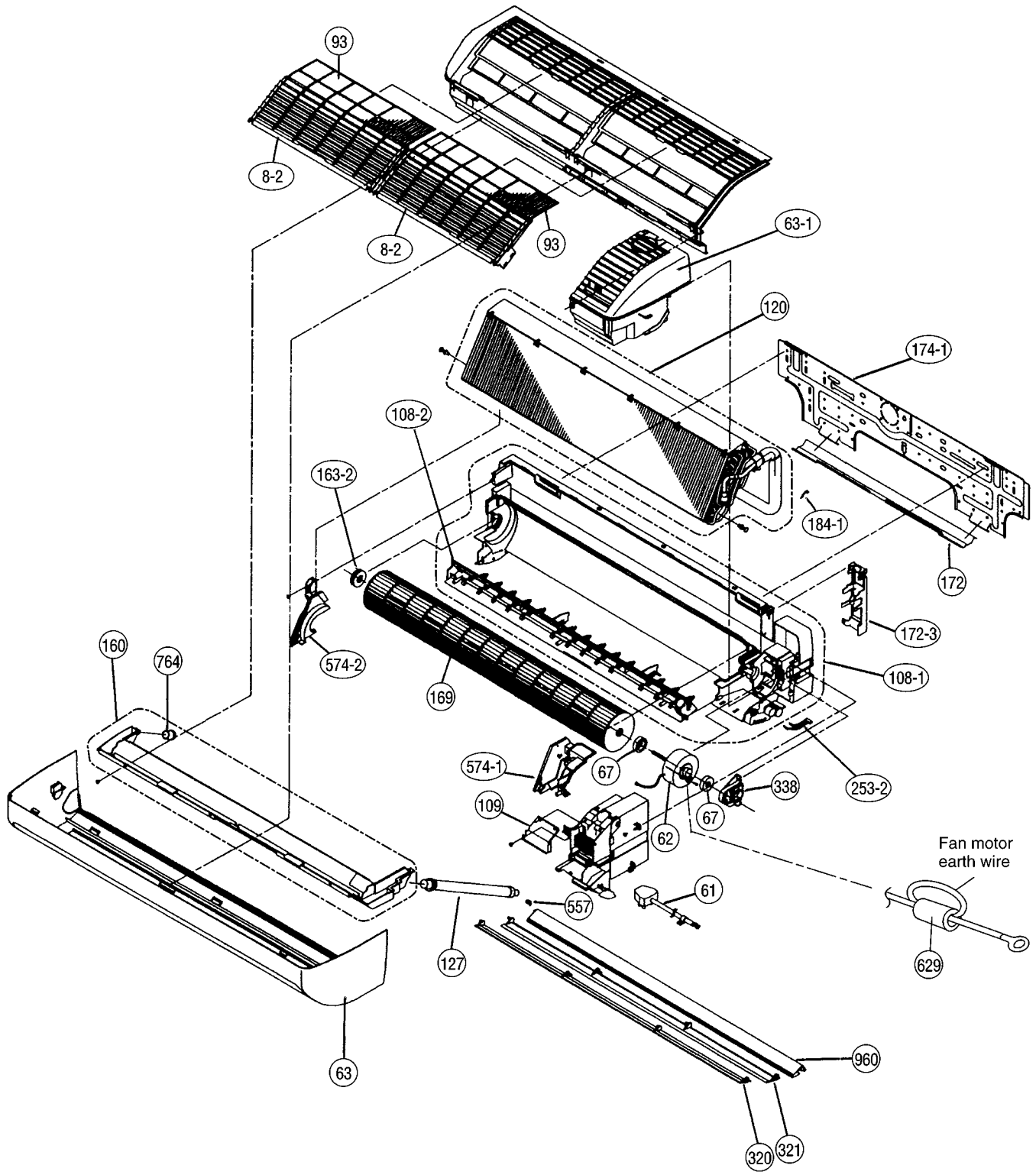
The OPERATION, TIMER and SWING lamps operate as follows according to the error contents.

○ : Fast flashing ● : Slow flashing – : Off

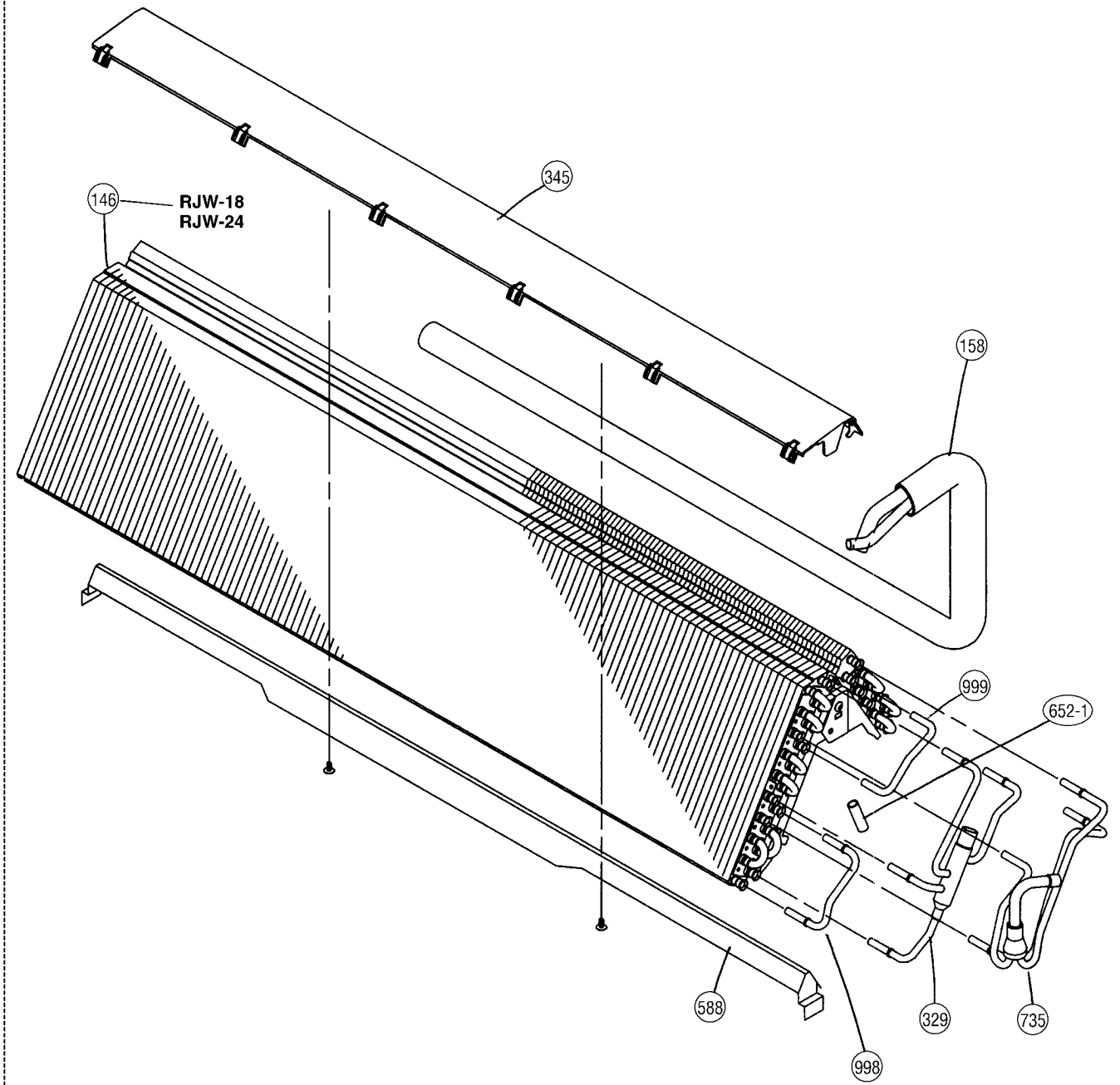
| Error contents | Error display | | |
|--|--------------------|-------------------|-------------------|
| | OPERATION (RED) | TIMER (YELLOW) | SWING (ORANGE) |
| Indoor unit circuit board error | ○ | ○ | – |
| Indoor unit room temperature sensor wire opened | 2 times ● | ○ | – |
| Indoor unit room temperature sensor wire short circuited | 2 times ● | ○ | ○ |
| Indoor unit piping sensor wire opened | 3 times ● | ○ | – |
| Indoor unit piping sensor wire short circuited | 3 times ● | ○ | ○ |
| Indoor unit fan error | 6 times ● | ○ | – |

DISASSEMBLY ILLUSTRATION

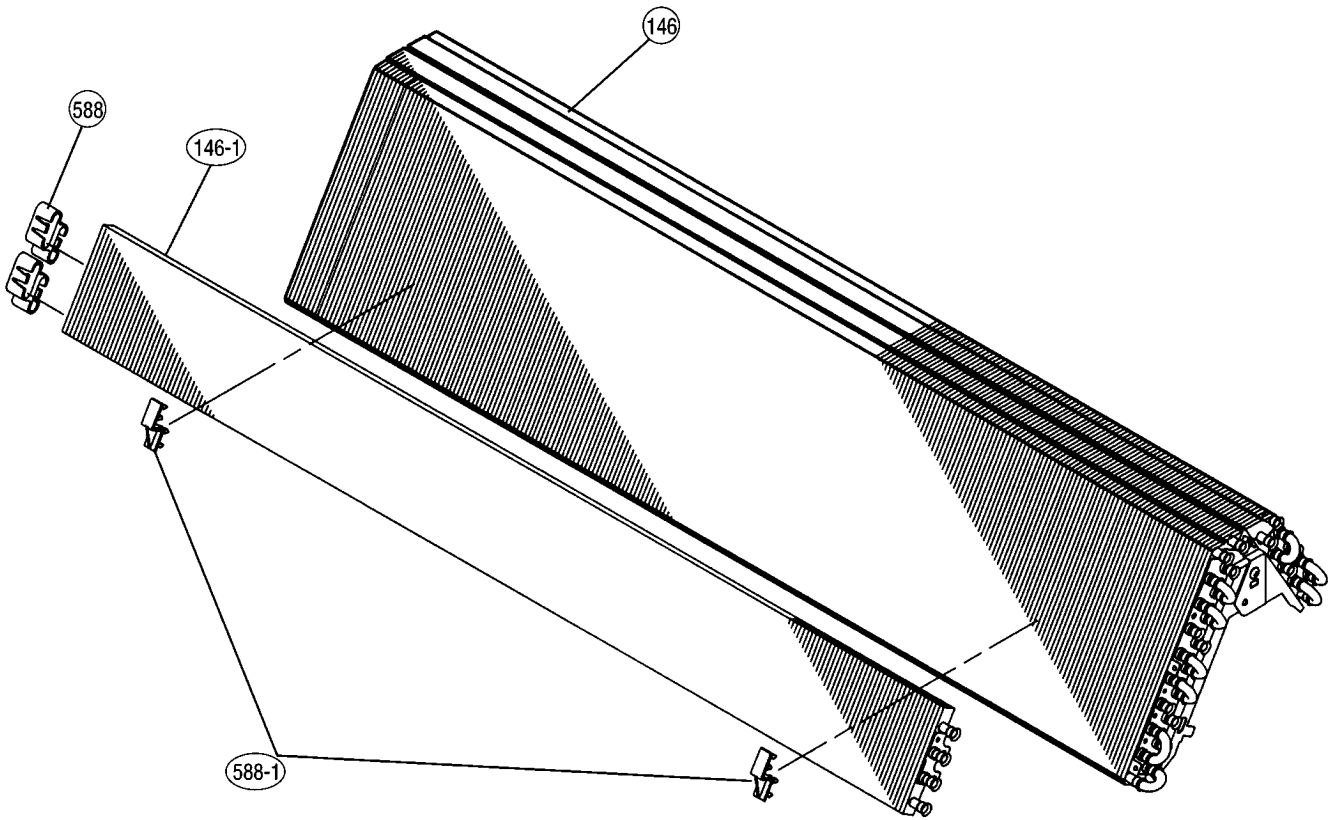
Models : RJW-14HB, RJW-18CB
RJW-18HB, RJW-24CB
RJW-24HB, RJW-30CB
RJW-30HB

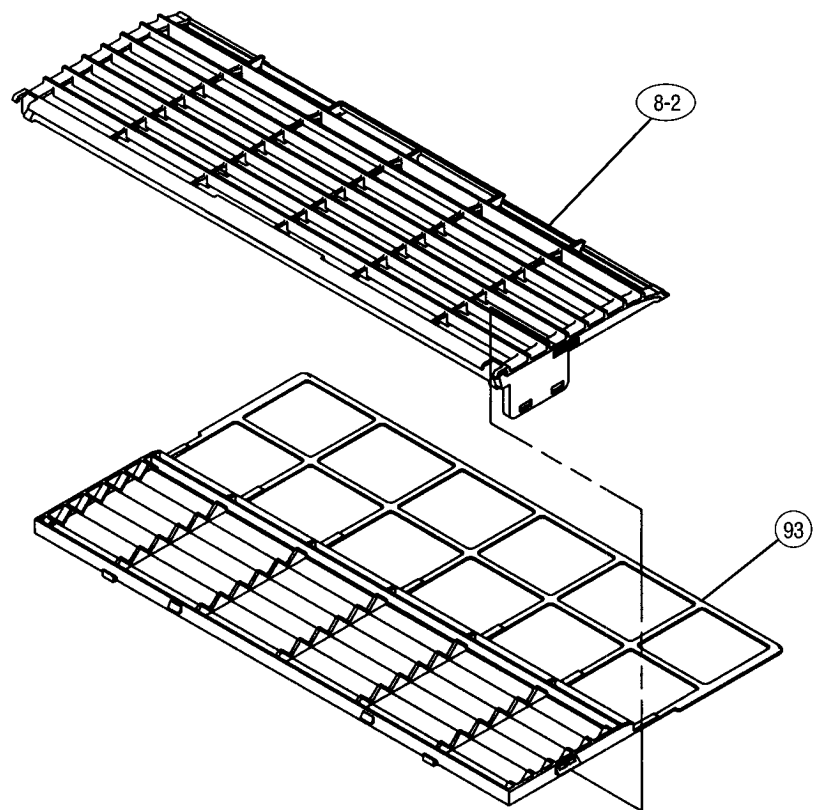


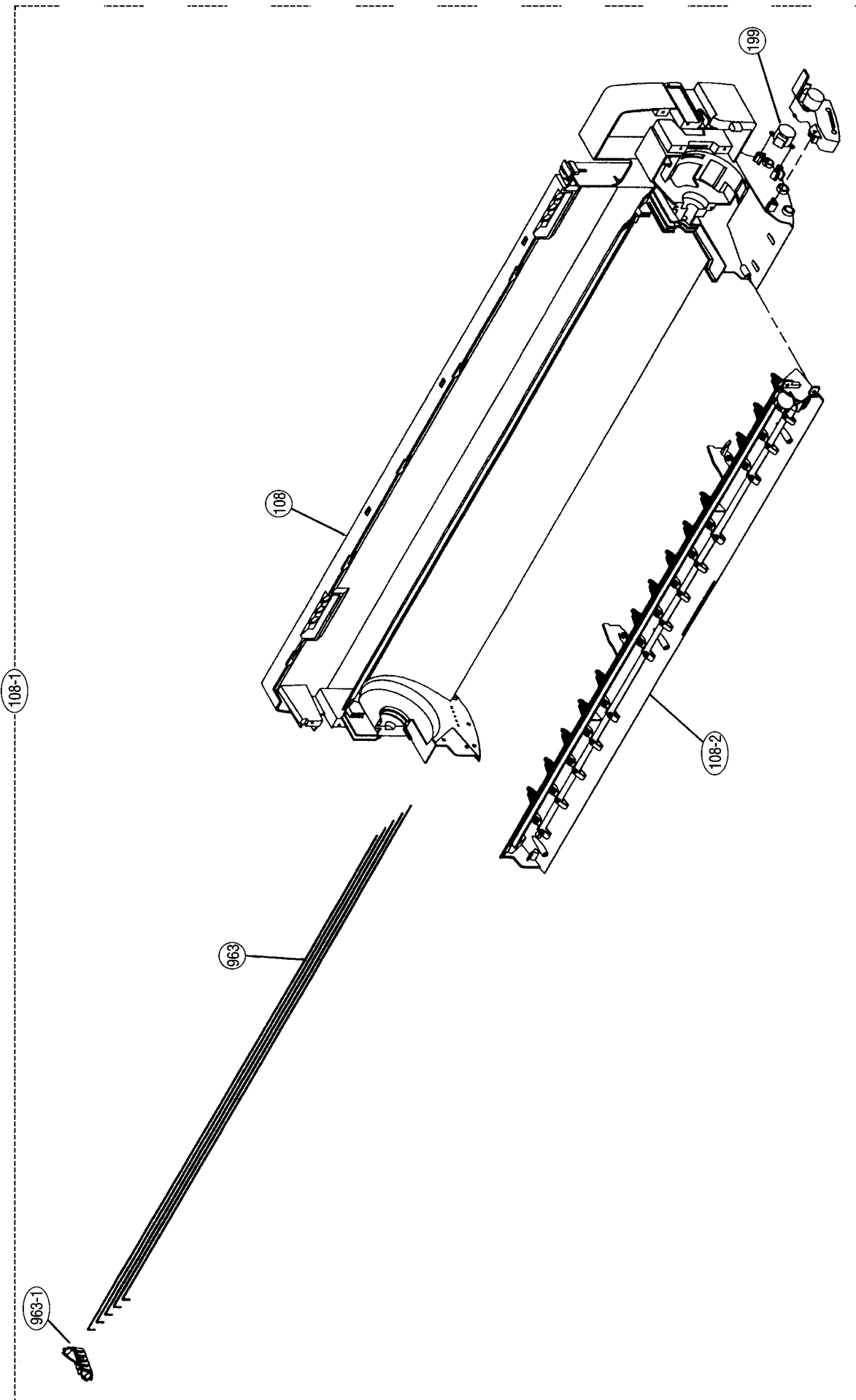
120

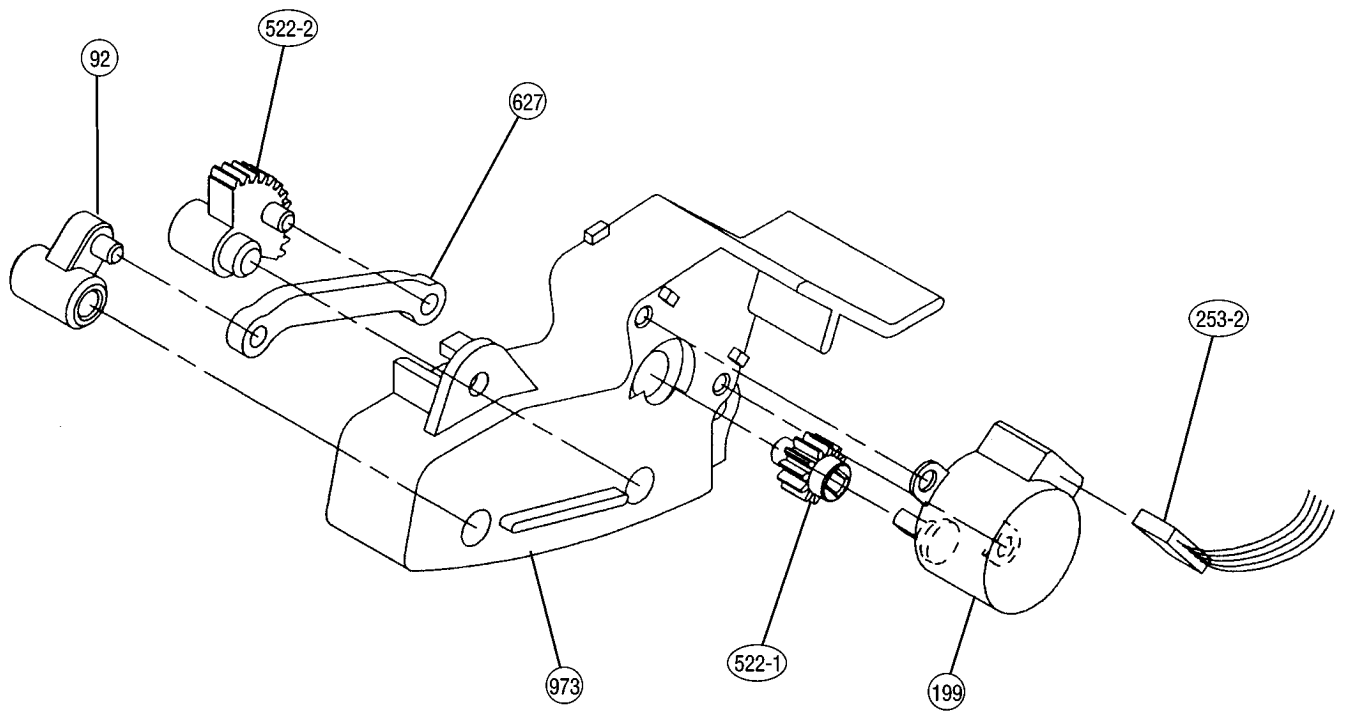


Models : RJW-30CB
RJW-30HB

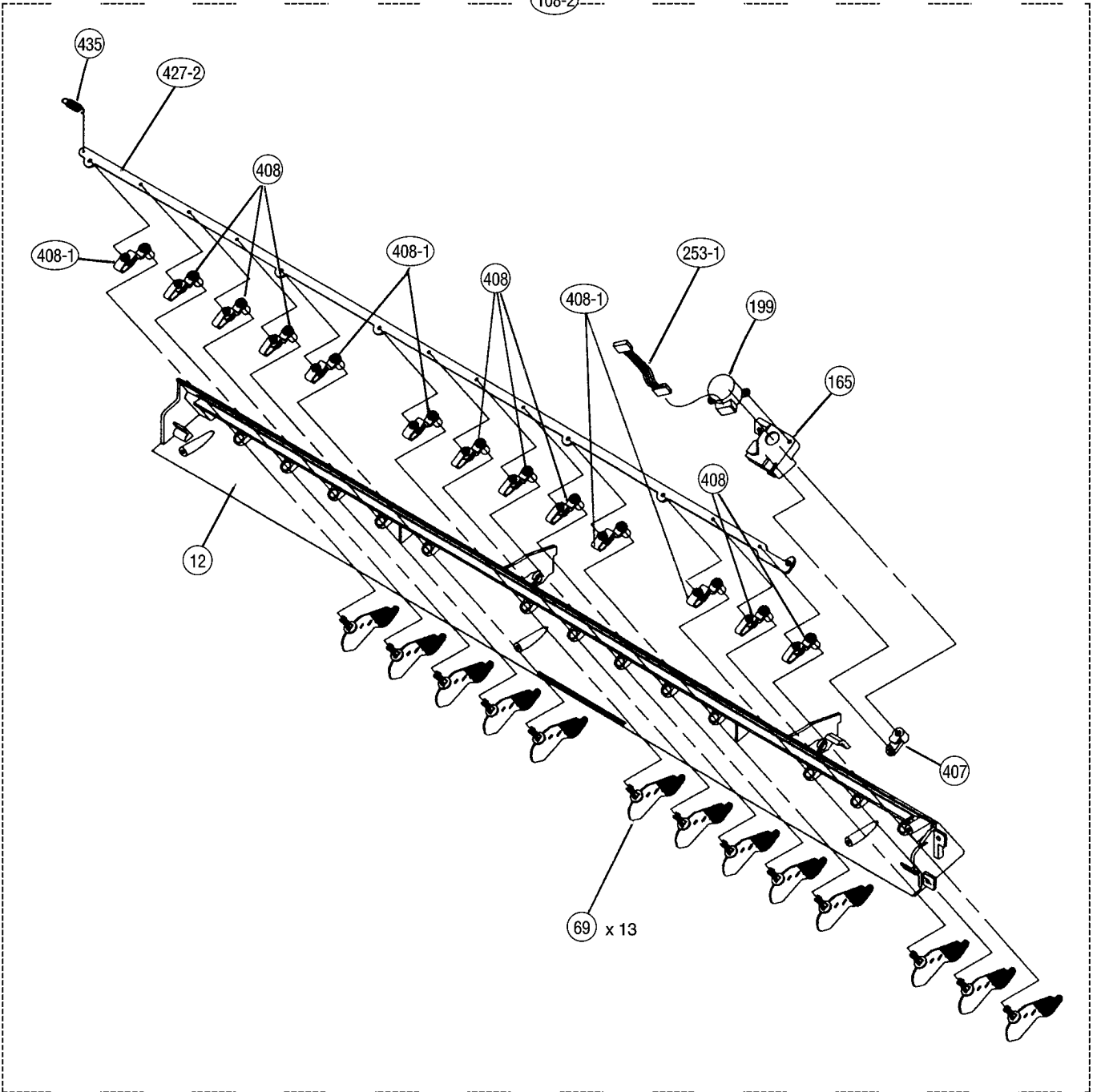


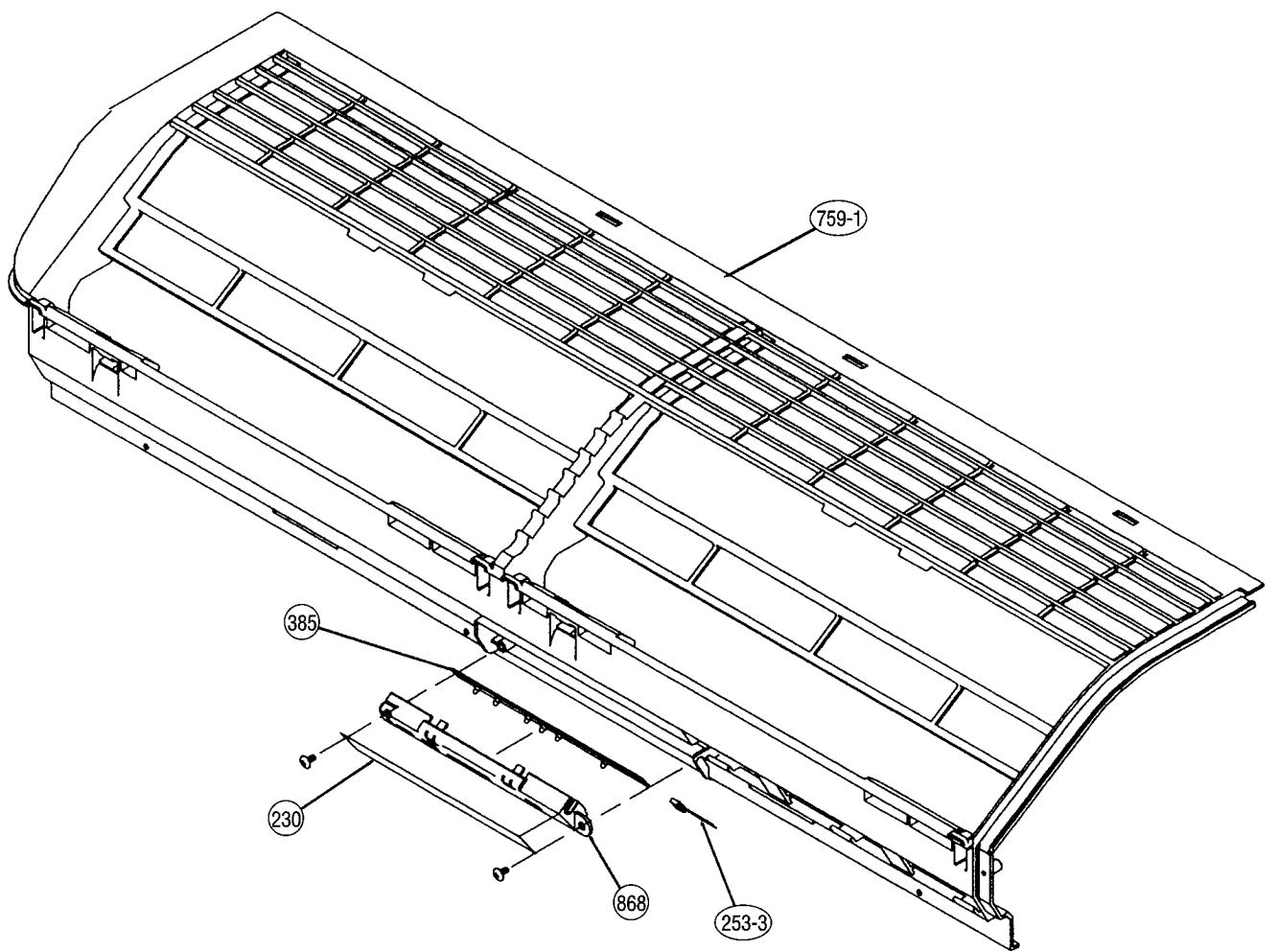




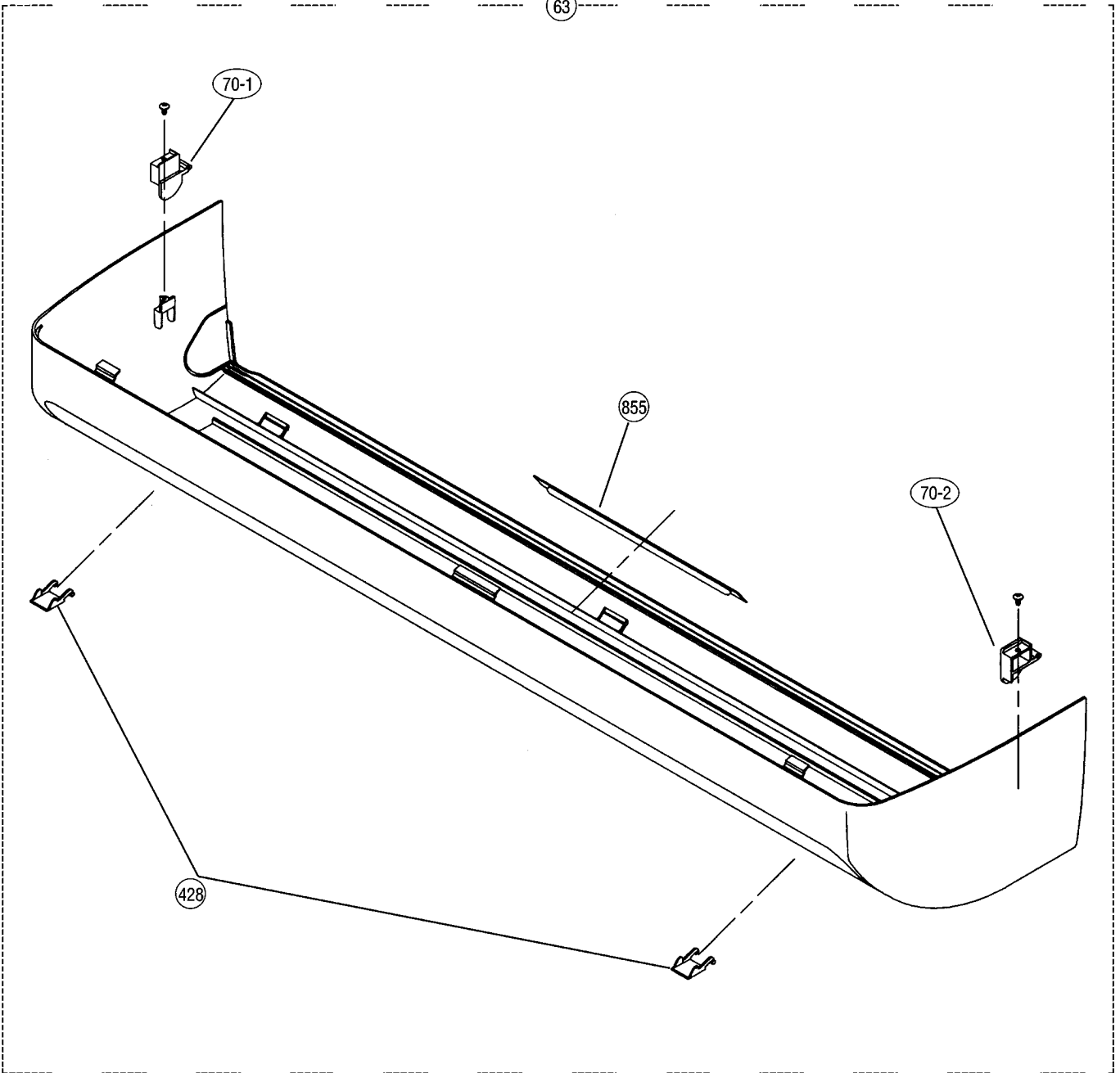


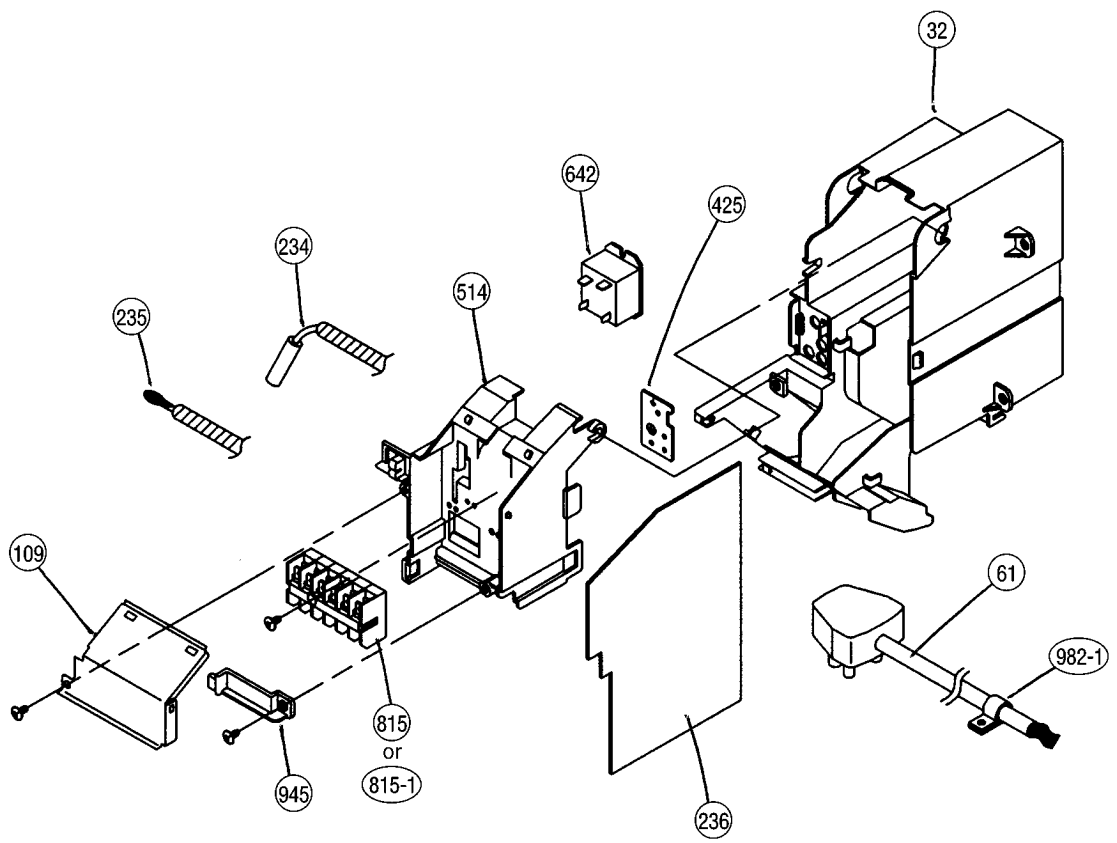
108-2



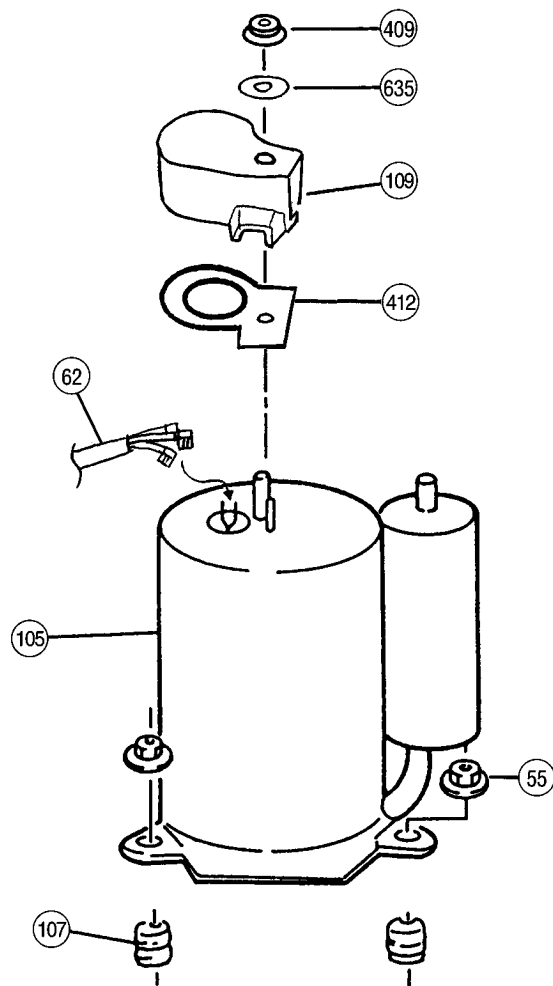


63

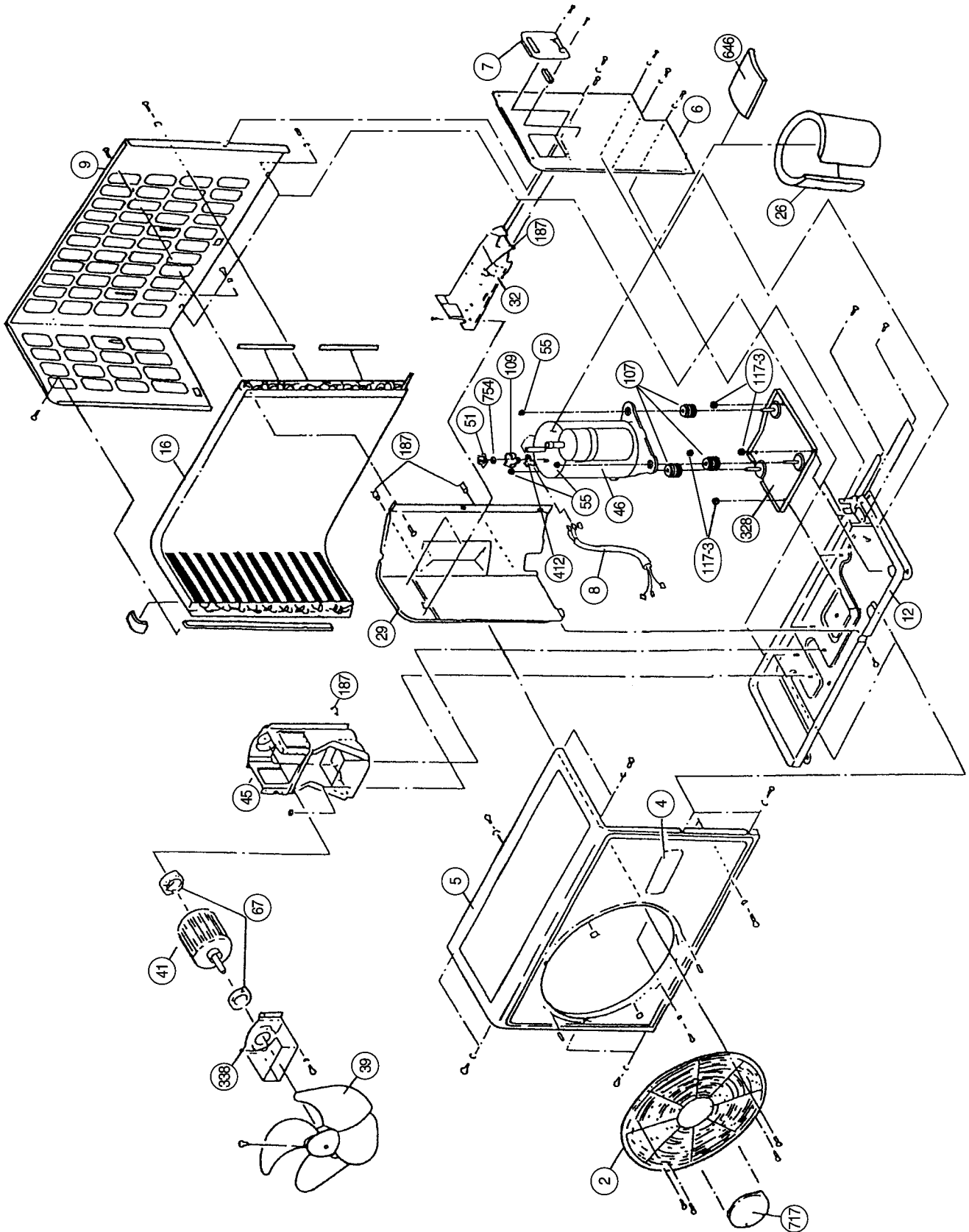




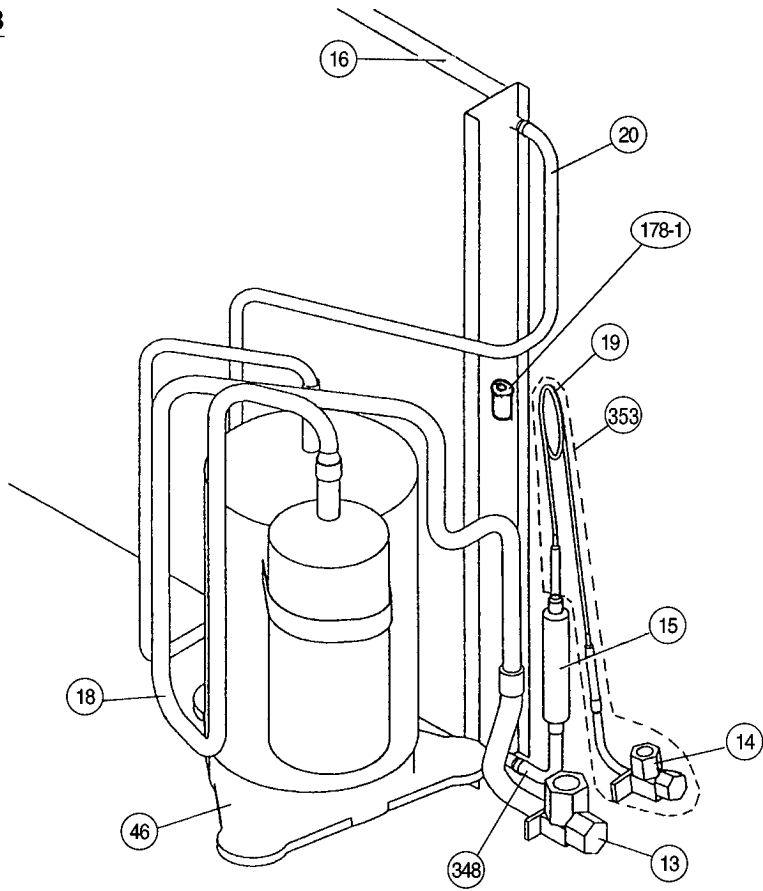
Model : ROW-14HB



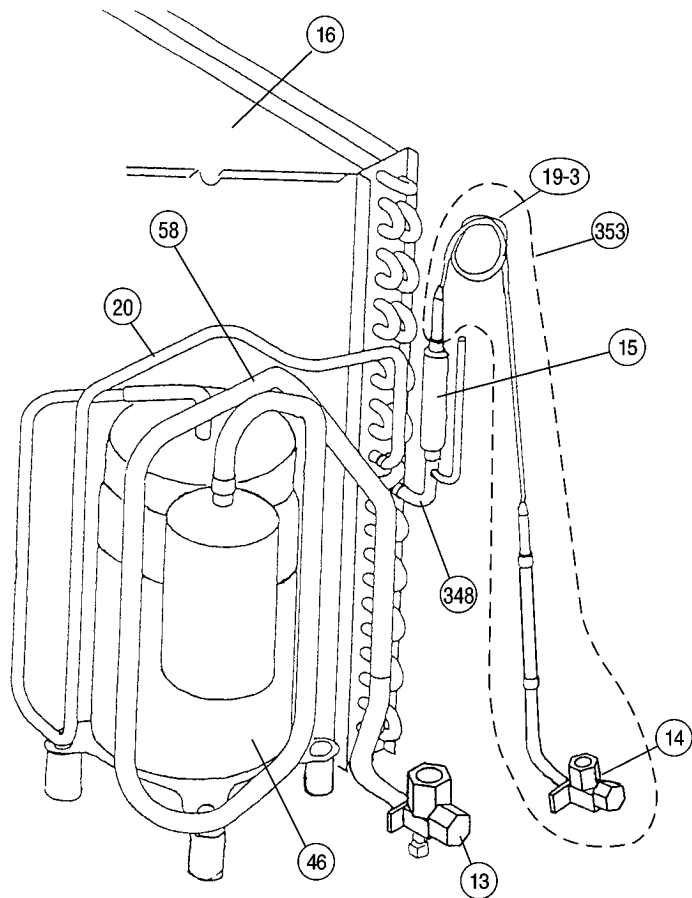
Model : ROW-18CB



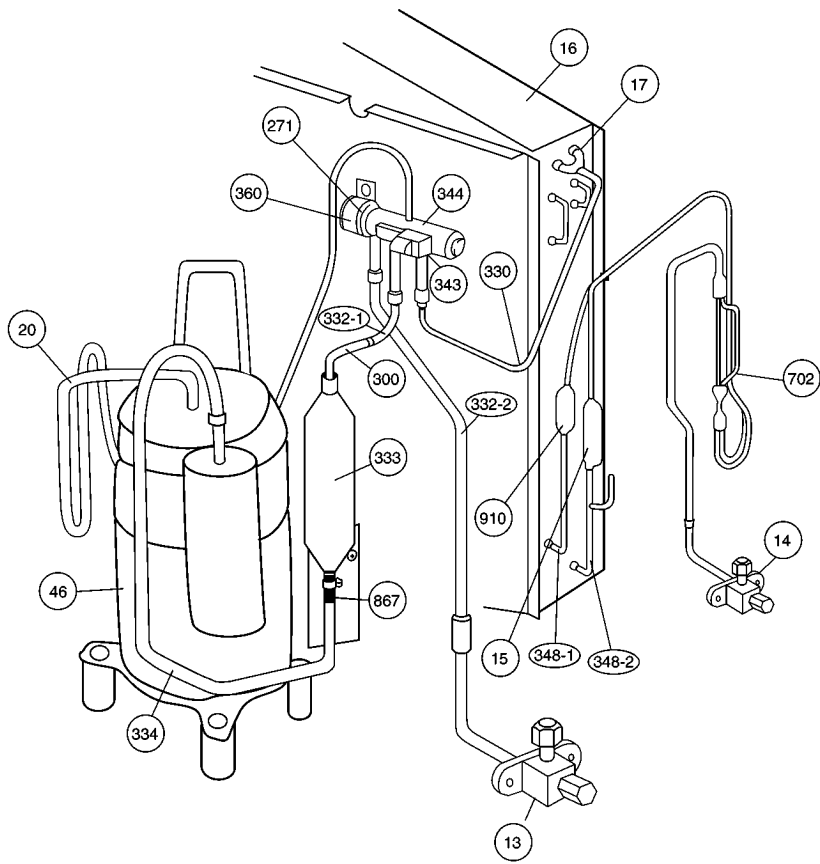
Model : ROW-18CB



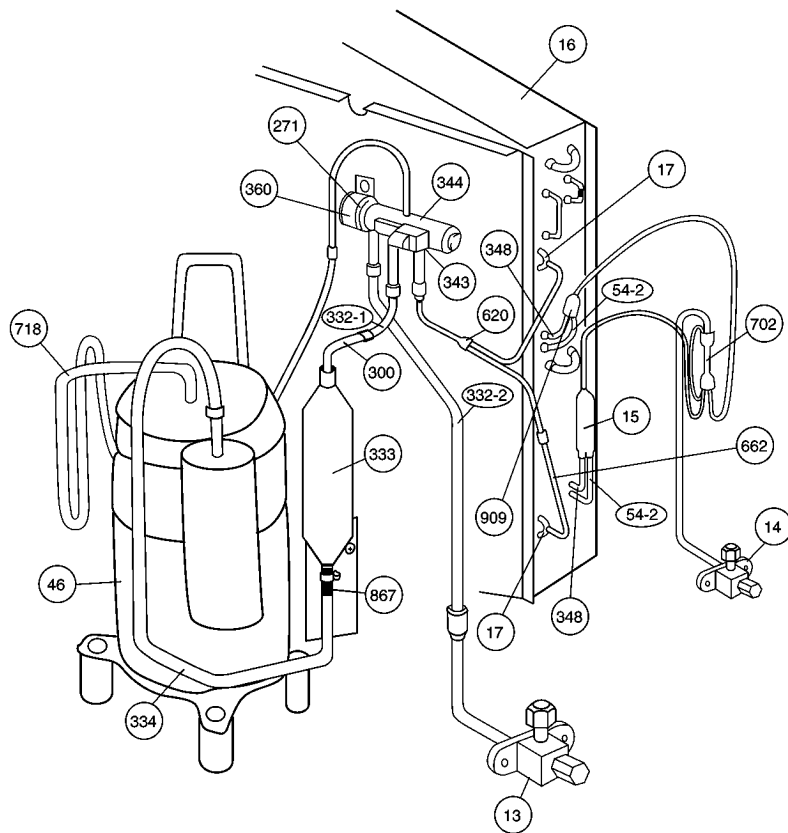
Model : ROW-24CB



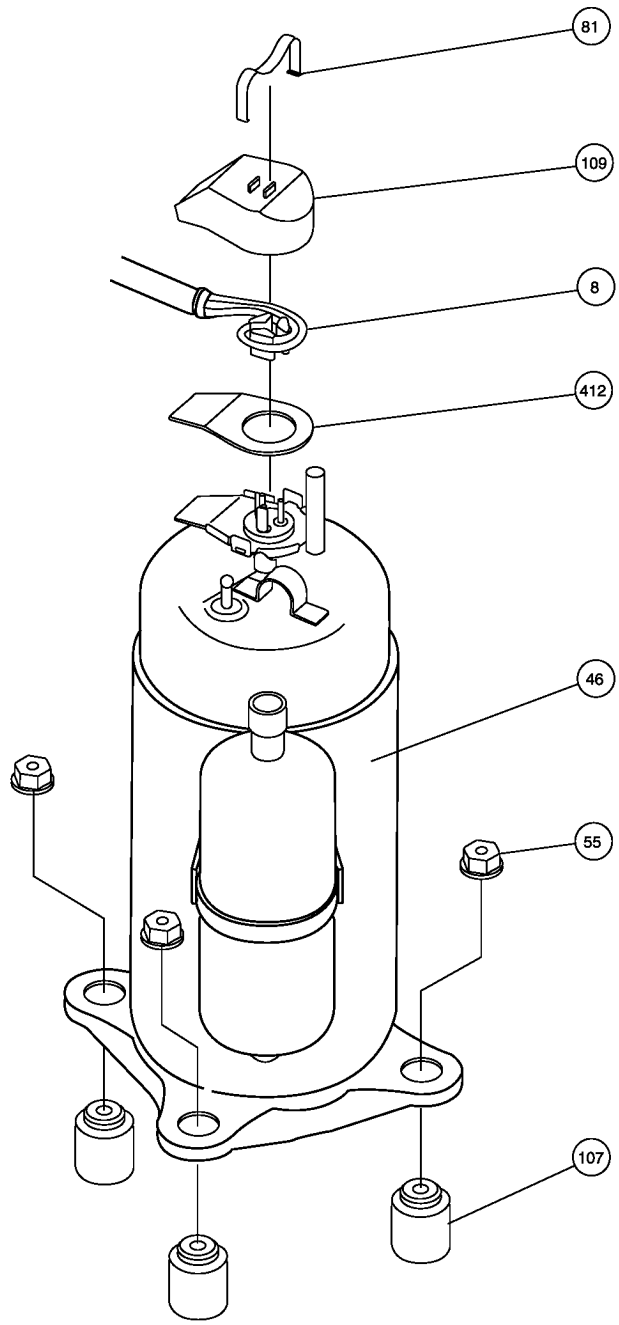
Model : ROW-18HB



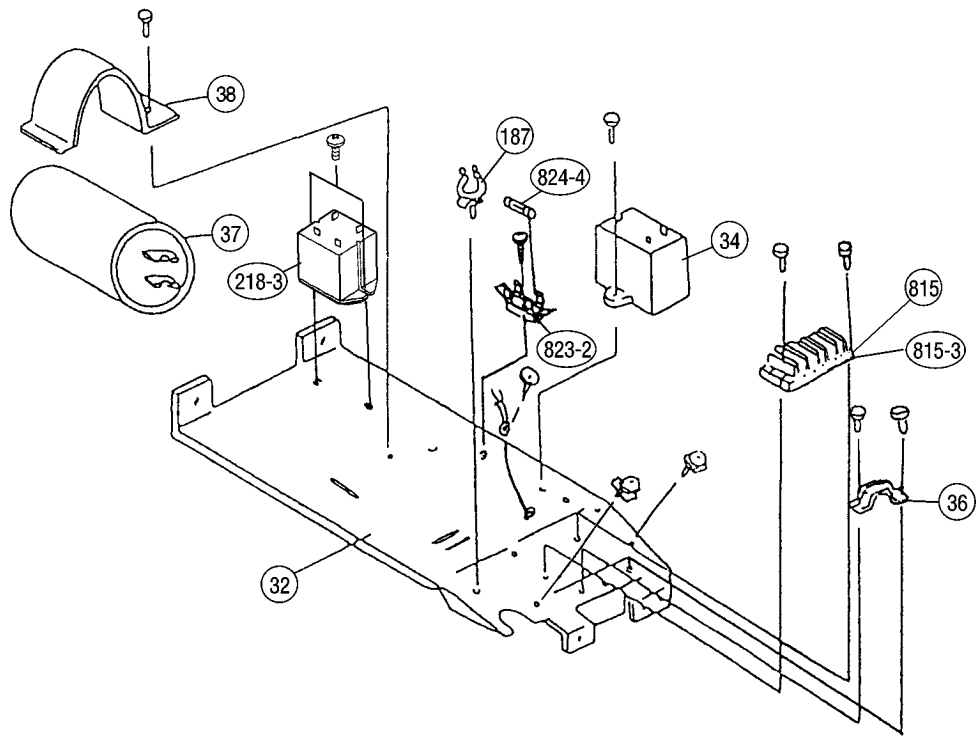
Model : ROW-24HB



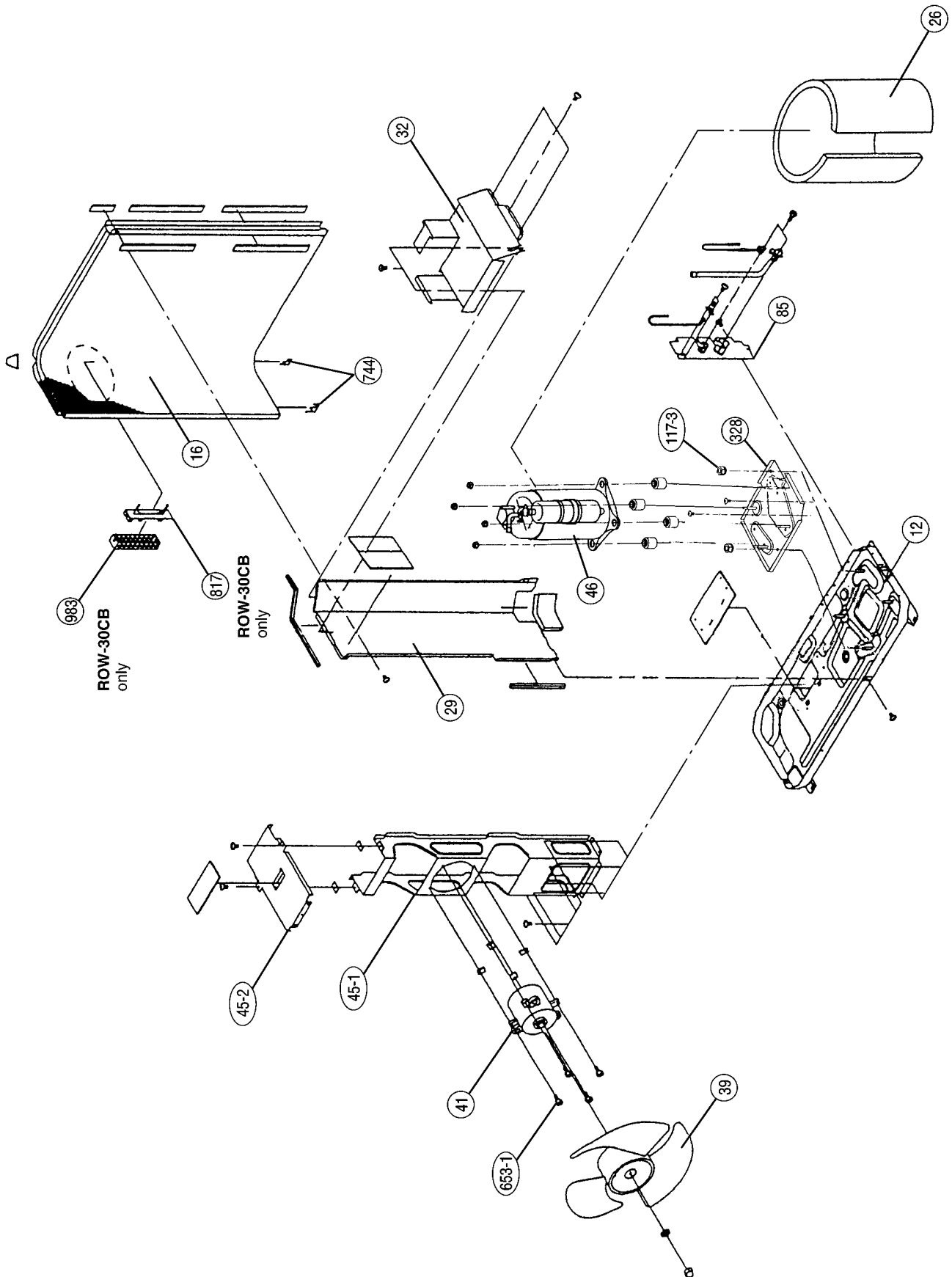
Models : ROW-18HB
ROW-24CB
ROW-24HB



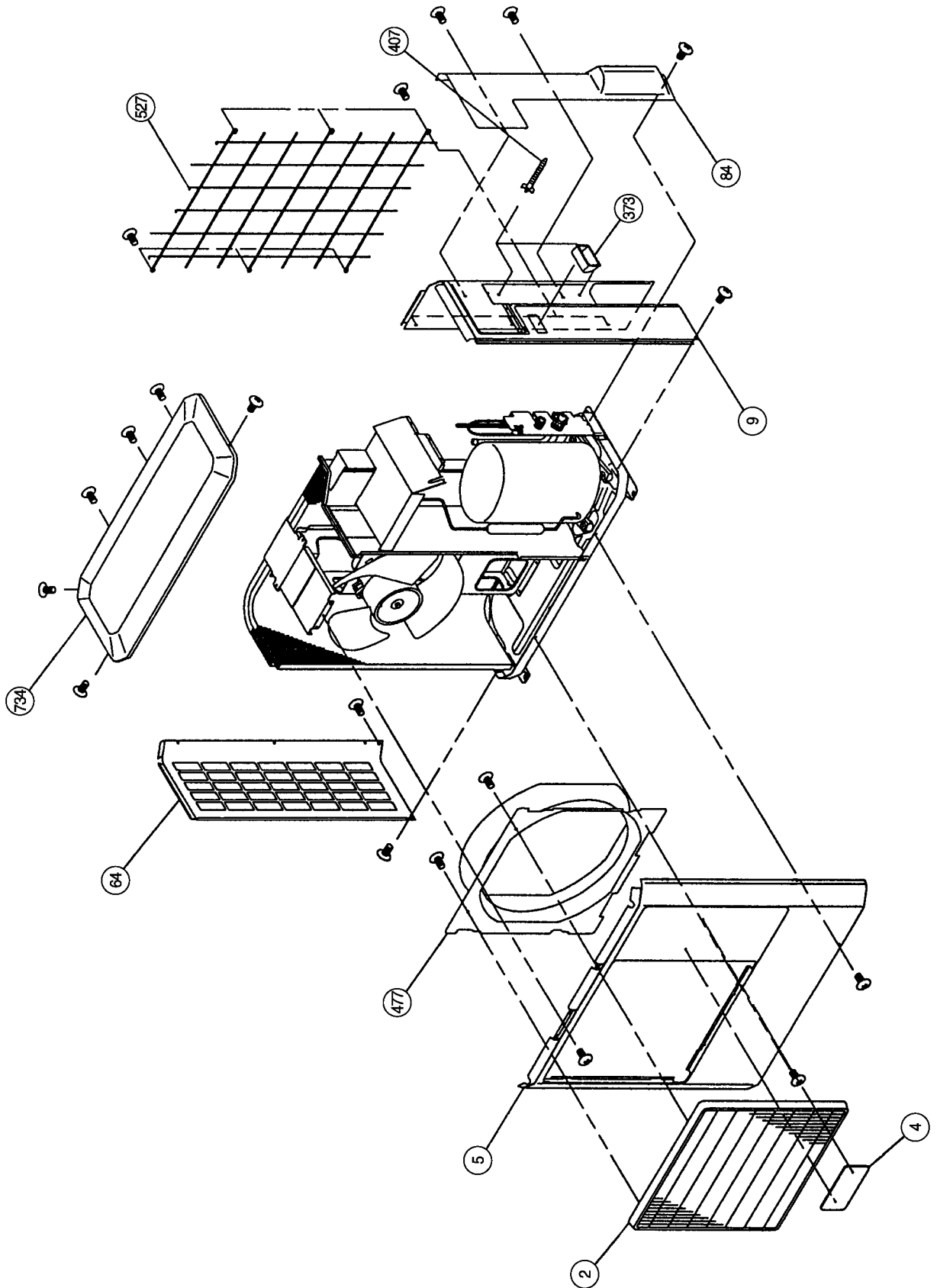
Models : ROW-18CB
ROW-18HB
ROW-24CB
ROW-24HB



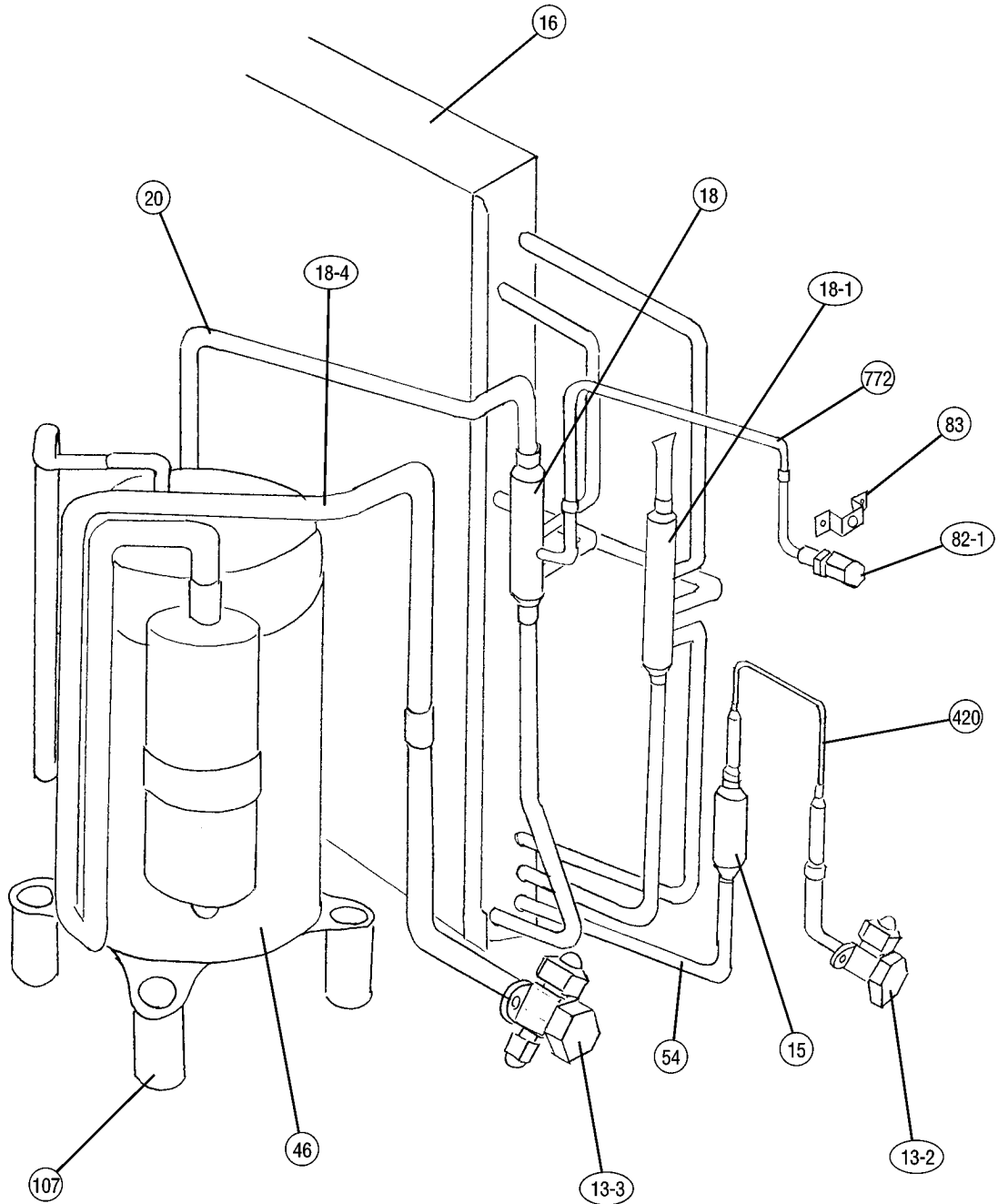
Models : ROW-30CB
ROW-30HB



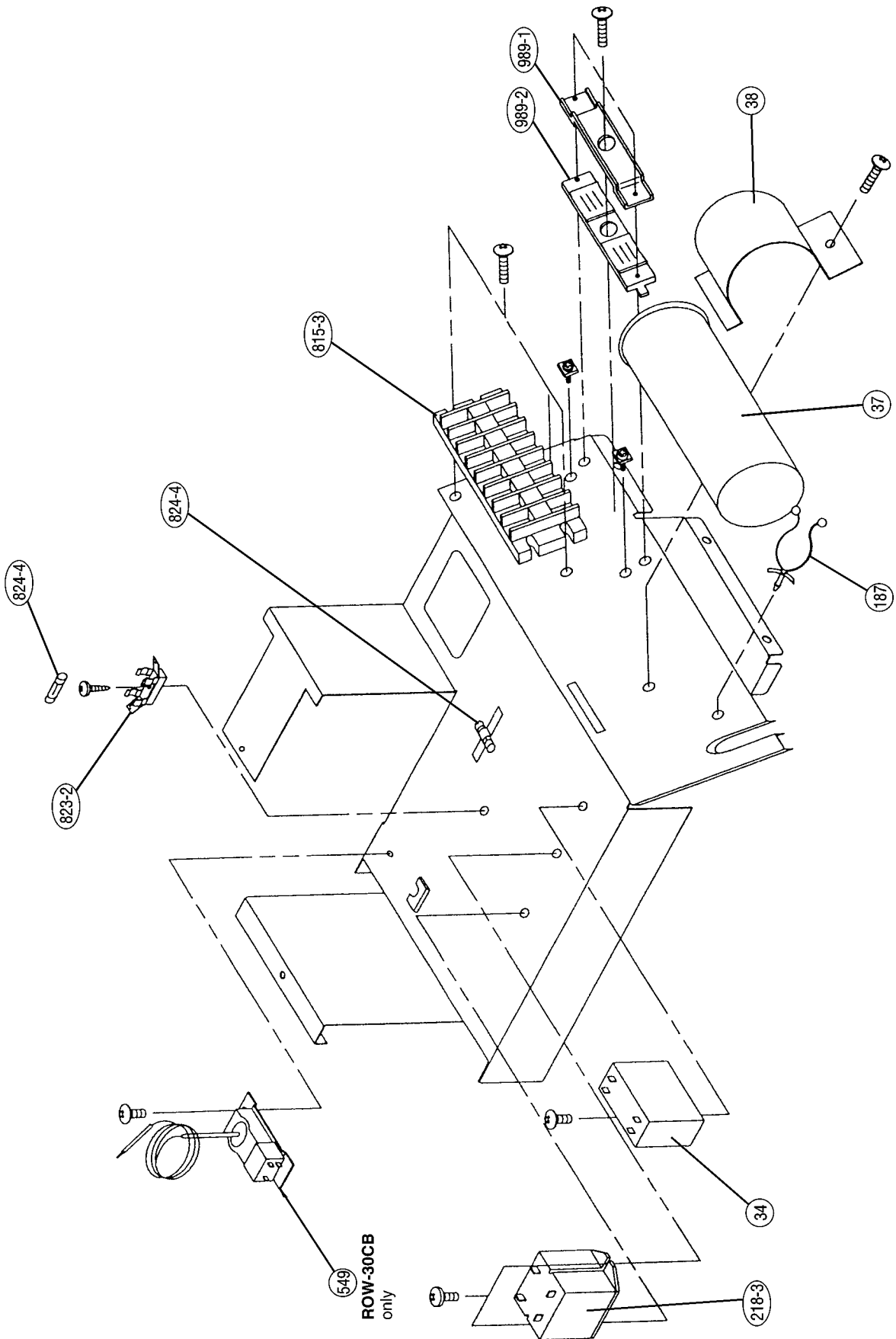
Models : ROW-30CB
ROW-30HB



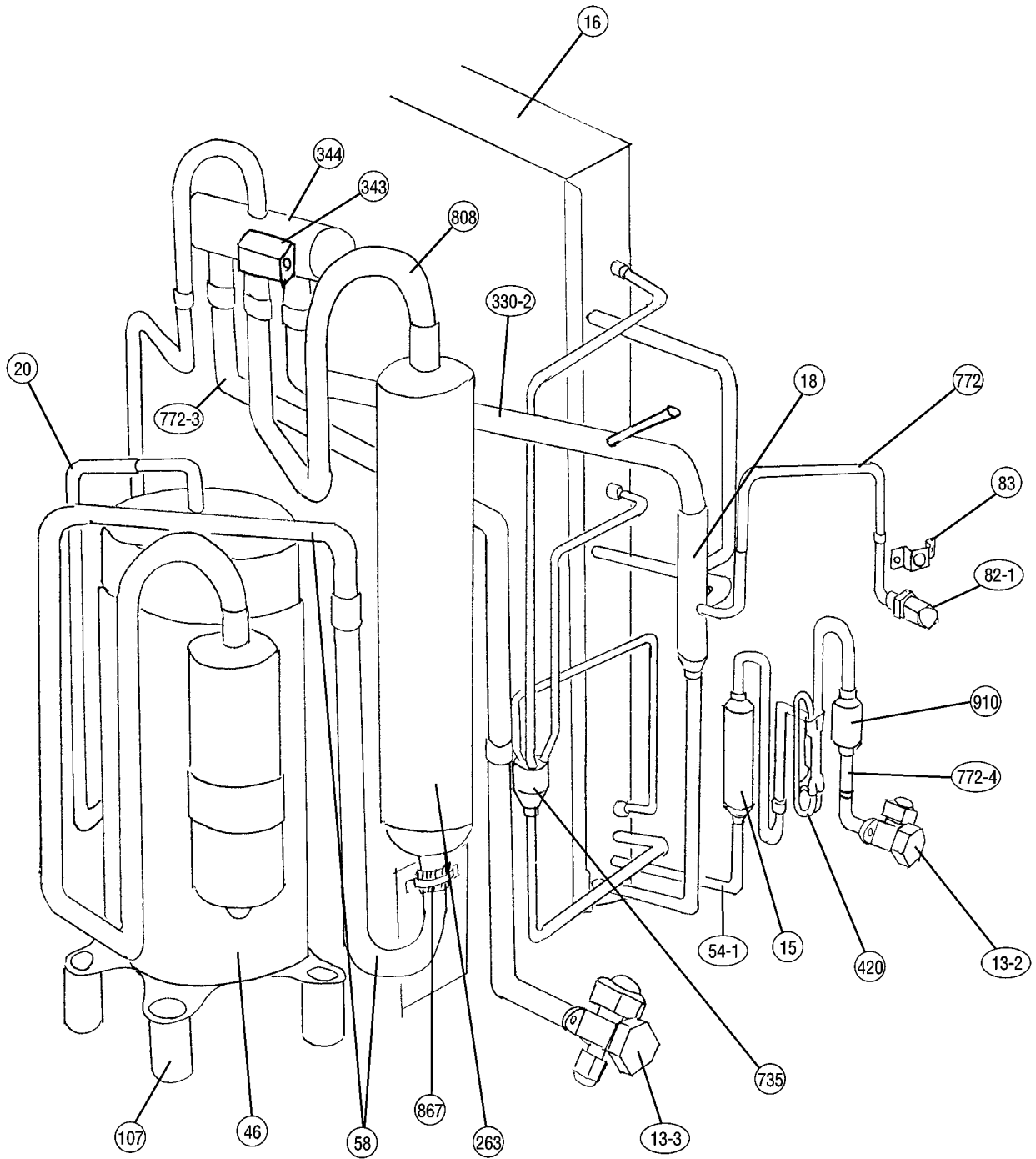
Model : ROW-30CB



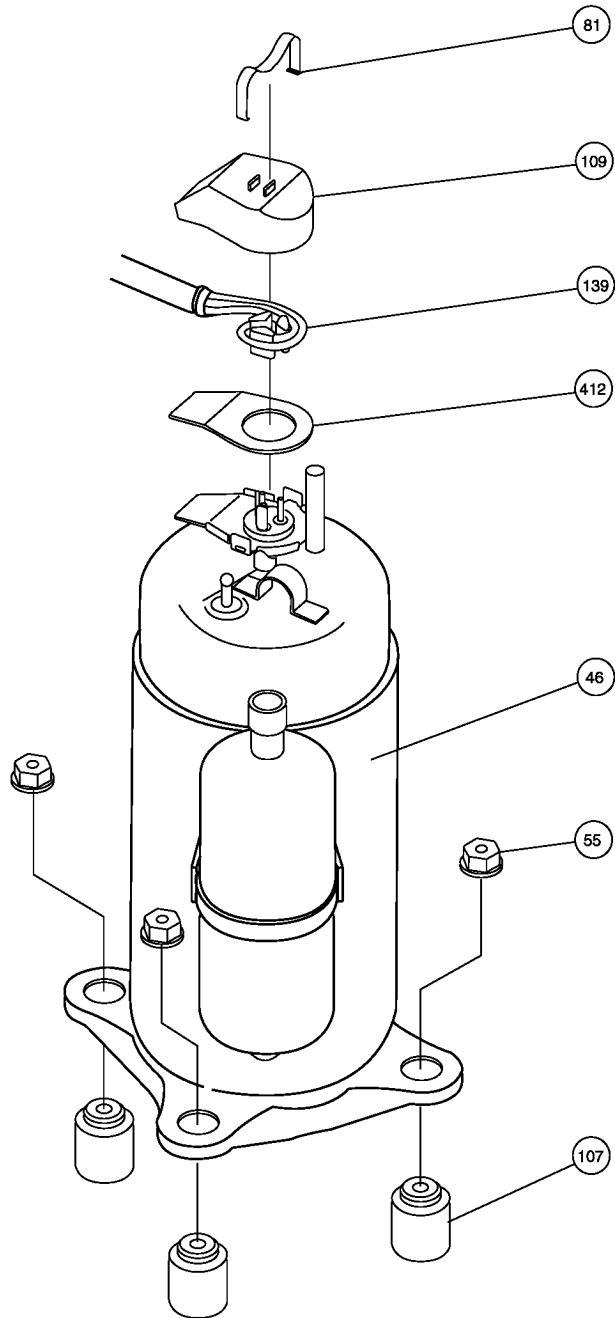
Models : ROW-30CB
ROW-30HB



Model : ROW-30HB



Models : ROW-30CB
ROW-30HB



PARTS LIST

INDOOR UNIT

When you order parts, please make a photocopy of this page and fill the number of the parts in the "Order" column.

| Ref. No. | Description | Part No. | | | | | | | Ord. |
|-------------|----------------------|--------------|--------------|--------------|--------------|--------------|--------------|--------------|------|
| | | RJW-14HB | RJW-18CB | RJW-18HB | RJW-24CB | RJW-24HB | RJW-30CB | RJW-30HB | Q'ty |
| 8-2 | Filter Frame | 9367681013 | 9367681013 | 9367681013 | 9367681013 | 9367681013 | 9367681013 | 9367681013 | |
| 12 | Base-B | 9368216016 | 9368216016 | 9368216016 | 9368216016 | 9368216016 | 9368216016 | 9368216016 | |
| 32 | Control Box | 9367663002 | 9367663002 | 9367663002 | 9367663002 | 9367663002 | 9367663002 | 9367663002 | |
| 45 | Bracket (Eva.) Assy | 9369317019 | 9369317019 | 9369317019 | 9369317019 | 9369317019 | 9369317019 | 9369317019 | |
| 61 | Power Cord Assy | 9900017026 | — | — | — | — | — | — | |
| 62 | Fan Motor-Inner | 9601385011 | 9601385011 | 9601385011 | 9601385011 | 9601385011 | 9601385011 | 9601385011 | |
| 63 | Front Cover Assy | 9369194030 | 9369194030 | 9369194030 | 9369194030 | 9369194030 | 9369194030 | 9369194030 | |
| 63-1 | Service Cover Assy | 9368837013 | 9368837013 | 9368837013 | 9368837013 | 9368837013 | 9368837013 | 9368837013 | |
| 67 | Rubber (Motor) | 9367676002 | 9367676002 | 9367676002 | 9367676002 | 9367676002 | 9367676002 | 9367676002 | |
| 69 | Louver | 9367706013 | 9367706013 | 9367706013 | 9367706013 | 9367706013 | 9367706013 | 9367706013 | |
| 70-1 | Hook (Cover)-L | 9367675012 | 9367675012 | 9367675012 | 9367675012 | 9367675012 | 9367675012 | 9367675012 | |
| 70-2 | Hook (Cover)-R | 9367674015 | 9367674015 | 9367674015 | 9367674015 | 9367674015 | 9367674015 | 9367674015 | |
| 92 | Link Arm | 9367694006 | 9367694006 | 9367694006 | 9367694006 | 9367694006 | 9367694006 | 9367694006 | |
| 93 | Filter | 9367680016 | 9367680016 | 9367680016 | 9367680016 | 9367680016 | 9367680016 | 9367680016 | |
| 108 | Base | 9367683017 | 9367683017 | 9367683017 | 9367683017 | 9367683017 | 9367683017 | 9367683017 | |
| 108-1 | Base Assy | 9368829018 | 9368829018 | 9368829018 | 9368829018 | 9368829018 | 9368829018 | 9368829018 | |
| 108-2 | Base-B Sub Assy | 9368843014 | 9368843014 | 9368843014 | 9368843014 | 9368843014 | 9368843014 | 9368843014 | |
| 109 | Terminal CVR | 9368022006 | 9368022006 | 9368022006 | 9368022006 | 9368022006 | 9368022006 | 9368022006 | |
| 120 | Eva. Sub Assy | 9368832032 | 9368832018 | 9368832018 | 9368832018 | 9368832018 | 9368832025 | 9368832025 | |
| 122 | Rub (Bearing) Assy | 9368998004 | 9368998004 | 9368998004 | 9368998004 | 9368998004 | 9368998004 | 9368998004 | |
| 127 | Drain Hose | 9367695003 | 9367695003 | 9367695003 | 9367695003 | 9367695003 | 9367695003 | 9367695003 | |
| 146 | Evaporator Assy | 9369223006 | 9368853006 | 9368853006 | 9368853006 | 9368853006 | 9369123009 | 9369123009 | |
| 146-1 | Evaporator Assy-B | — | — | — | — | — | 9369124006 | 9369124006 | |
| 158 | Joint Pipe Assy | 9369224003 | 9368871000 | 9368871000 | 9368871000 | 9368871000 | 9369144004 | 9369144004 | |
| 160 | Drain Pan Assy | 9368835019 | 9368835019 | 9368835019 | 9368835019 | 9368835019 | 9368835019 | 9368835019 | |
| 165 | Motor Box | 9367718009 | 9367718009 | 9367718009 | 9367718009 | 9367718009 | 9367718009 | 9367718009 | |
| 169 | Cross Fan Assy | 9367708000 | 9367708000 | 9367708000 | 9367708000 | 9367708000 | 9367708000 | 9367708000 | |
| 172 | Pipe Bracket | 9367844005 | 9367844005 | 9367844005 | 9367844005 | 9367844005 | 9367844005 | 9367844005 | |
| 172-3 | Pipe Holder | 9367687008 | 9367687008 | 9367687008 | 9367687008 | 9367687008 | 9367687008 | 9367687008 | |
| 174-1 | Fixing Plate | 9367987009 | 9367987009 | 9367987009 | 9367987009 | 9367987009 | 9367987009 | 9367987009 | |
| 184-1 | Thermo. Spring-A | 313728262708 | 313728262708 | 313728262708 | 313728262708 | 313728262708 | 313728262708 | 313728262708 | |
| 199 | Stepping Motor | 9900020019 | 9900020019 | 9900020019 | 9900020019 | 9900020019 | 9900020019 | 9900020019 | |
| 230 | Diffusion Sheet | 9368006013 | 9368006013 | 9368006013 | 9368006013 | 9368006013 | 9368006013 | 9368006013 | |
| 234 | Thermistor Assy-Room | 9703299148 | 9703299148 | 9703299148 | 9703299148 | 9703299148 | 9703299148 | 9703299148 | |
| 235 | Thermistor Assy-Pipe | 9703297038 | 9703297038 | 9703297038 | 9703297038 | 9703297038 | 9703297038 | 9703297038 | |
| 236 | Controller PCB Assy | 9704360069 | 9704457028 | 9704360021 | 9704457011 | 9704360014 | 9704457059 | 9704360052 | |
| 240 | Remote Control Unit | 9368374037 | 9368374044 | 9368374037 | 9368374044 | 9368374037 | 9368374044 | 9368374037 | |
| 253-1 | Wire With Connector | 9704434012 | 9704434012 | 9704434012 | 9704434012 | 9704434012 | 9704434012 | 9704434012 | |
| 253-2 | Wire With Connector | 9704435019 | 9704435019 | 9704435019 | 9704435019 | 9704435019 | 9704435019 | 9704435019 | |
| 253-3 | Wire With Connector | 9704433015 | 9704433015 | 9704433015 | 9704433015 | 9704433015 | 9704433015 | 9704433015 | |
| 320 | Upper Flap | 9367688012 | 9367688012 | 9367688012 | 9367688012 | 9367688012 | 9367688012 | 9367688012 | |
| 321 | Lower Flap | 9367689019 | 9367689019 | 9367689019 | 9367689019 | 9367689019 | 9367689019 | 9367689019 | |
| 329 | Coupling Pipe Assy | 9368865009 | 9368865009 | 9368865009 | 9368865009 | 9368865009 | 9369136009 | 9369136009 | |
| 338 | Motor Holder | 9367798001 | 9367798001 | 9367798001 | 9367798001 | 9367798001 | 9367798001 | 9367798001 | |
| 385 | Indicator PCB Assy | 9704368010 | 9704368010 | 9704368010 | 9704368010 | 9704368010 | 9704368010 | 9704368010 | |
| 407 | Motor Link | 9367696000 | 9367696000 | 9367696000 | 9367696000 | 9367696000 | 9367696000 | 9367696000 | |
| 407-2 | Louver Rod | 9367698004 | 9367698004 | 9367698004 | 9367698004 | 9367698004 | 9367698004 | 9367698004 | |
| 408 | Louver Link | 9367697007 | 9367697007 | 9367697007 | 9367697007 | 9367697007 | 9367697007 | 9367697007 | |
| 408-1 | Louver Link-B | 9368789008 | 9368789008 | 9368789008 | 9368789008 | 9368789008 | 9368789008 | 9368789008 | |
| 425 | Earth Plate | 9368017002 | 9368017002 | 9368017002 | 9368017002 | 9368017002 | 9368017002 | 9368017002 | |
| 428 | Screw Cover | 9367717019 | 9367717019 | 9367717019 | 9367717019 | 9367717019 | 9367717019 | 9367717019 | |
| 435 | Louver Spring | 9369030000 | 9369030000 | 9369030000 | 9369030000 | 9369030000 | 9369030000 | 9369030000 | |
| 514 | Control Box Cover | 9367664009 | 9367664009 | 9367664009 | 9367664009 | 9367664009 | 9367664009 | 9367664009 | |
| 522-1 | Gear-A | 9367691005 | 9367691005 | 9367691005 | 9367691005 | 9367691005 | 9367691005 | 9367691005 | |
| 522-2 | Gear-B | 9367692002 | 9367692002 | 9367692002 | 9367692002 | 9367692002 | 9367692002 | 9367692002 | |
| 557 | Spring (Diffuser) | 9368824006 | 9368824006 | 9368824006 | 9368824006 | 9368824006 | 9368824006 | 9368824006 | |
| 574-1 | Eva Support-R | 9367684007 | 9367684007 | 9367684007 | 9367684007 | 9367684007 | 9367684007 | 9367684007 | |
| 574-2 | Eva. Support-L | 9367685004 | 9367685004 | 9367685004 | 9367685004 | 9367685004 | 9367685004 | 9367685004 | |
| 588 | Eva. Holder | — | — | — | — | — | 9367711000 | 9367711000 | |
| 588-1 | Eva. Holder-B | — | — | — | — | — | 9368783006 | 9368783006 | |

INDOOR UNIT (Continued)

When you order parts, please make a photocopy of this page and fill the number of the parts in the "Order" column.

| Ref. No. | Description | Part No. | | | | | | | Ord. |
|----------|-----------------------|--------------|--------------|--------------|--------------|--------------|--------------|--------------|------|
| | | RJW-14HB | RJW-18CB | RJW-18HB | RJW-24CB | RJW-24HB | RJW-30CB | RJW-30HB | Q'ty |
| 627 | Link | 9367693009 | 9367693009 | 9367693009 | 9367693009 | 9367693009 | 9367693009 | 9367693009 | |
| 629 | EMI Filter | 0400056133 | 0400056133 | 0400056133 | 0400056133 | 0400056133 | 0400056133 | 0400056133 | |
| 642 | Relay (Main) | 9353611017 | — | — | — | — | — | — | |
| 652-1 | Thrm. Holder Pipe | 313806262805 | 313806262805 | 313806262805 | 313806262805 | 313806262805 | 313806262805 | 313806262805 | |
| 735 | Distributor Assy | 9368858001 | 9368858001 | 9368858001 | 9368858001 | 9368858001 | 9369127007 | 9369127007 | |
| 743 | Remote Control Holder | 9305642014 | 9305642014 | 9305642014 | 9305642014 | 9305642014 | 9305642014 | 9305642014 | |
| 759-1 | Intake Cover | 9367678013 | 9367678013 | 9367678013 | 9367678013 | 9367678013 | 9367678013 | 9367678013 | |
| 764 | Drain Cap | 9367677009 | 9367677009 | 9367677009 | 9367677009 | 9367677009 | 9367677009 | 9367677009 | |
| 815 | Terminal | 9900016012 | — | 9900016012 | — | 9900016012 | — | 9900016012 | |
| 815-1 | Terminal-3p | — | 9306489090 | — | 9306489090 | — | 9306489090 | — | |
| 855 | Display-F | 9367672028 | 9367672028 | 9367672028 | 9367672028 | 9367672028 | 9367672028 | 9367672028 | |
| 868 | PWB Holder (Display) | 9367679003 | 9367679003 | 9367679003 | 9367679003 | 9367679003 | 9367679003 | 9367679003 | |
| 875 | PCB Assy-Switch | 9704370013 | 9704370013 | 9704370013 | 9704370013 | 9704370013 | 9704370013 | 9704370013 | |
| 945 | Wire Holder | 9368016005 | 9368016005 | 9368016005 | 9368016005 | 9368016005 | 9368016005 | 9368016005 | |
| 960 | Diffuser Assy | 9368840013 | 9368840013 | 9368840013 | 9368840013 | 9368840013 | 9368840013 | 9368840013 | |
| 963 | Fanguard | 9368015008 | 9368015008 | 9368015008 | 9368015008 | 9368015008 | 9368015008 | 9368015008 | |
| 963-1 | Fanguard Holder | 9367707003 | 9367707003 | 9367707003 | 9367707003 | 9367707003 | 9367707003 | 9367707003 | |
| 973 | Gear Box | 9367690008 | 9367690008 | 9367690008 | 9367690008 | 9367690008 | 9367690008 | 9367690008 | |
| 982-1 | Cord Clamp | 9357864006 | — | — | — | — | — | — | |
| 998 | Bypass Pipe-A | 9368857004 | 9368857004 | 9368857004 | 9368857004 | 9368857004 | — | — | |
| 999 | Bypass Pipe-B | 9368917005 | 9368917005 | 9368917005 | 9368917005 | 9368917005 | — | — | |

ROW-14HB, ROW-18CB
 ROW-18HB, ROW-24CB
 ROW-24HB, ROW-30CB
 ROW-30HB

OUTDOOR UNIT

When you order parts, please make a photocopy of this page and fill the number of the parts in the "Order" column.

| Ref. No. | Description | Part No. | | | | | | | Ord. |
|-------------|-----------------------------|--------------|--------------|--------------|--------------|--------------|------------|------------|------|
| | | ROW-14HB | ROW-18CB | ROW-18HB | ROW-24CB | ROW-24HB | ROW-30CB | ROW-30HB | Q'ty |
| 2 | Fan Cover | 9304109006 | 9350214020 | 9350214020 | 9350214020 | 9350214020 | — | — | |
| 2 | Fan Cover (Guard) | — | — | — | — | — | 9359808015 | 9359808015 | |
| 4 | Emblem-Rear "FUJI ELECTRIC" | 9361328006 | 9361328006 | 9361328006 | 9361328006 | 9361328006 | 9361328006 | 9361328006 | |
| 5 | Cabinet, Painted | 9302936017 | — | — | — | — | — | — | |
| 5 | Cabinet-A, Painted | — | 9303876015 | 9303876015 | 9303876015 | 9303876015 | 9359797029 | 9359797029 | |
| 6 | Cabinet-C, Painted | — | 9353549013 | 9353549013 | 9353549013 | 9353549013 | — | — | |
| 7 | Connector Cover | 9357970004 | 9358011010 | 9358011010 | 9358011010 | 9358011010 | — | — | |
| 8 | Shield Tube Assy-D | — | — | 9359904052 | 9359904052 | 9359904052 | — | — | |
| 8 | Wire Assy (Shield)-D | — | 9359904076 | — | — | — | — | — | |
| 9 | Cabinet, Rear Panel | 9303744017 | — | — | — | — | — | — | |
| 9 | Cabinet-B, Painted | — | 9303874011 | 9303874011 | 9303874011 | 9303874011 | 9359798026 | 9359798026 | |
| 12 | Base Assy, Painted | 9354493032 | 9353452054 | 9353452054 | 9353452061 | 9353452061 | 9359813019 | 9359813019 | |
| 13 | 3-Way Valve | 9368971007 | 9364523002 | 9364523002 | 9364523002 | 9364523002 | — | — | |
| 13-2 | Packed Valve (3/8) | — | — | — | — | — | 9360150004 | 9360150004 | |
| 13-3 | 3-Way Valve (5/8) | — | — | — | — | — | 9360157003 | 9360157003 | |
| 14 | 2-Way Valve | 9368970000 | — | — | — | — | — | — | |
| 14 | 2-Way Valve Assy | — | 9365021002 | 9365021002 | 9365021002 | 9365021002 | — | — | |
| 15 | Dryer Assy | 313523082505 | — | — | — | — | — | — | |
| 15 | Dryer | — | 9368111014 | 9368111014 | 9368111014 | 9368117016 | 9368111014 | 9368111014 | |
| 16 | Condenser Assy | 9369236013 | 9353455055 | 9353455048 | 9356015010 | 9369005015 | 9360280015 | 9360280015 | |
| 17 | U-Pipe (Y) | — | — | 313728127102 | — | 9305523009 | — | — | |
| 18 | Entrance Pipe | 9364827001 | — | — | — | — | — | — | |
| 18 | Suction Pipe | — | 9369000003 | — | — | — | — | — | |
| 18 | Inlet Pipe (Condenser) | — | — | — | — | — | 9369048005 | 9369068003 | |
| 18-1 | Outlet Pipe (Condenser) | — | — | — | — | — | 9369054006 | — | |
| 18-4 | Suction Pipe | — | — | — | — | — | 9369046001 | — | |
| 19 | Capillary Tube | — | 9364270005 | — | — | — | 9369663008 | — | |
| 19-3 | Capillary (Cool) | — | — | — | 9364327006 | — | — | — | |
| 20 | Exit Pipe | 9364826004 | — | — | — | — | — | — | |
| 20 | Discharge Pipe | — | — | 9367136001 | 9368491000 | — | 9369047008 | 9369067006 | |
| 20 | Discharge Pipe Assy | — | 9368999001 | — | — | — | — | — | |
| 26 | Compressor Cover-A | — | 9363020007 | 9367296002 | 9368504007 | 9367134007 | — | — | |
| 26 | Comp. Cover | — | — | — | — | — | 9369093005 | 9369093005 | |
| 26-1 | Compressor Cover-B | — | — | — | 9368505004 | — | — | — | |
| 29 | Separate Wall | — | 313986033213 | 313986033213 | 313986033213 | 313986033213 | 9359804017 | 9359804017 | |
| 32 | Control Box Metal-A | — | — | 9365672020 | — | 9365672020 | 9359839019 | 9359839019 | |
| 32-1 | Control Box Metal-A | — | 9365672013 | — | 9365672013 | — | — | — | |
| 32-2 | Control Box Metal-A | 9351338010 | — | — | — | — | — | — | |
| 34 | Capacitor (Fan Motor) | 9700468080 | 9357965017 | 9357965024 | 9357965017 | 9357965024 | 9357965024 | 9357965024 | |
| 36 | Cord Holder Metal | — | 9356934007 | 9356934007 | 9356934007 | 9356934007 | — | — | |
| 37 | Running Capacitor | 9306512095 | 9704436023 | 9703107122 | 9703107153 | 9703107153 | 9703107023 | 9703107023 | |
| 38 | Capacitor Clamp Metal | 313468061808 | — | — | — | — | — | — | |
| 38 | Capacitor Clamp | — | 9351770013 | 9351770013 | 9351770013 | 9351770013 | 9360610010 | 9360610010 | |
| 39 | Propeller Fan Assy | 9351589011 | 9300855013 | 9300855013 | 9300855013 | 9300855013 | — | — | |
| 39 | Propeller Fan | — | — | — | — | — | 9359837015 | 9359837015 | |
| 41 | Fan Motor Assy-Out | 9601113010 | 9600738023 | 9600738047 | 9600738023 | 9600738047 | 9600832011 | 9600832011 | |
| 42 | Bracket (Motor) | 313166243804 | — | — | — | — | — | — | |
| 45 | Motor Fixing Table Assy | — | 313029311100 | 313029311100 | 313029311100 | 313029311100 | — | — | |
| 45-1 | Motor Bracket | — | — | — | — | — | 9359801016 | 9359801016 | |
| 45-2 | Motor Bracket-Top | — | — | — | — | — | 9359803010 | 9359803010 | |
| 46 | Compressor Assy | — | 9368175009 | 9366777007 | 9367112005 | 9367112005 | 9368913007 | 9368913007 | |
| 51 | Special Nut M5 | — | 9300301015 | — | — | — | — | — | |
| 54 | Condensing Pipe | — | — | — | — | — | 9369061004 | — | |
| 54-1 | Condensing Pipe-A | — | — | — | — | — | — | 9369085000 | |
| 54-2 | Outlet Pipe-B | — | — | — | — | 9365391068 | — | — | |
| 55 | Special Nut M8 | 9355091008 | 9355091008 | 9355091008 | 9355091008 | 9355091008 | 9355091008 | 9355091008 | |
| 58 | Suction Pipe Assy | — | — | — | 9368492007 | — | — | 9369064005 | |
| 62 | Wire Assy (Shield)-A | 9357158013 | — | — | — | — | — | — | |
| 64 | Cabinet Left, Painted | — | — | — | — | — | 9359840022 | 9359840022 | |
| 67 | Rubber (Vibration Proof) | — | 313659068604 | 313659068604 | 313659068604 | 313659068604 | — | — | |

OUTDOOR UNIT (Continued)

When you order parts, please make a photocopy of this page and fill the number of the parts in the "Order" column.

| Ref. No. | Description | Part No. | | | | | | | Ord. |
|-------------|-------------------------------|--------------|--------------|--------------|--------------|--------------|--------------|--------------|------|
| | | ROW-14HB | ROW-18CB | ROW-18HB | ROW-24CB | ROW-24HB | ROW-30CB | ROW-30HB | Q'ty |
| 81 | Strap | — | 9362371001 | 9362371001 | 9362371001 | 9362371001 | 9362371001 | 9362371001 | — |
| 82-1 | Check Joint | — | — | — | — | — | 9360162007 | 9360162007 | — |
| 83 | Check Joint Bracket | — | — | — | — | — | 9359807018 | 9359807018 | — |
| 84 | Valve Cover | — | — | — | — | — | 9359817017 | 9359817017 | — |
| 85 | Valve Fixing Plate | — | — | — | — | — | 9359806011 | 9359806011 | — |
| 98 | Fan Ring | 313166296109 | — | — | — | — | — | — | — |
| 105 | Compressor Assy | 9364723006 | — | — | — | — | — | — | — |
| 107 | Rubber Seat-A | 9359425014 | 9351049010 | — | — | — | — | — | — |
| 107 | Rubber Mount | — | — | 9362368001 | 9362368001 | 9362368001 | 9362368001 | 9362368001 | — |
| 109 | Terminal Cover | 9364724003 | 9351048013 | 9362369008 | 9362369008 | 9362369008 | 9362369008 | 9362369008 | — |
| 117-3 | Hex. Nut w/Sp. Washer | — | 301721180114 | 301721180114 | 301721180114 | 301721180114 | 301721180114 | 301721180114 | — |
| 138 | Separate Wall Assy | 9303729014 | — | — | — | — | — | — | — |
| 139 | Wire Assy (Compressor) | — | — | — | — | — | 9369094002 | 9369094002 | — |
| 178-1 | Capillary Holder | — | 313414274807 | — | — | — | — | — | — |
| 187 | Clamp No. 1219 | — | 313361271706 | 313361271706 | 313361271706 | 313361271706 | 313361271706 | 313361271706 | — |
| 218-3 | Power Relay | — | 9900074012 | 9900074012 | 9900074012 | 9900074012 | 9900074012 | 9900074012 | — |
| 259 | Muffler | 313505083900 | — | — | — | — | — | — | — |
| 263 | Accumulator | — | — | — | — | — | — | 9385005006 | — |
| 271 | 4-Way Valve Rubber | — | — | 313728251908 | — | 313728251908 | — | — | — |
| 300 | Suction Pipe-C | — | — | 9367138005 | — | 9367125005 | — | — | — |
| 328 | Comp Plate Assy | — | 9363049015 | 9367128020 | 9367128037 | 9367128013 | 9362273015 | 9362273046 | — |
| 329 | Coupling Pipe Assy | 9352375002 | — | — | — | — | — | — | — |
| 330 | Inlet Pipe-A Assy | — | — | 9366859017 | — | — | — | — | — |
| 330-2 | Inlet Pipe (Condenser)-B Assy | — | — | — | — | — | — | 9369074004 | — |
| 332-1 | Suction Pipe-D | — | — | 9367135004 | — | 9367126002 | — | — | — |
| 332-2 | Suction Pipe-E | — | — | 9369004001 | — | 9369004001 | — | — | — |
| 333 | Accumulator | — | — | 9350363018 | — | 313986117201 | — | — | — |
| 334 | Suction Pipe-B | — | — | 9367137008 | — | 9367124008 | — | — | — |
| 338 | Motor Fixture | — | 313029297108 | 313029297108 | 313029297108 | 313029297108 | — | — | — |
| 343 | Solenoid | 9704061034 | — | — | — | — | — | — | — |
| 343 | Solenoid Coil | — | — | 9359616092 | — | 9359616092 | — | 9900003029 | — |
| 344 | 4-Way Valve | 9307556012 | — | 313943302804 | — | 9300604017 | — | 9307556012 | — |
| 348 | Outlet Pipe (Cond) Assy | — | — | — | 9363041019 | — | — | — | — |
| 348 | Outlet Pipe (Cond)-A | — | — | — | — | 9365391051 | — | — | — |
| 348 | Outlet Pipe | — | 9364266008 | — | — | — | — | — | — |
| 348-1 | Outlet Pipe-B | — | — | 9365391020 | — | — | — | — | — |
| 348-2 | Outlet Pipe-A | — | — | 9365391075 | — | — | — | — | — |
| 353 | Valve-A Assy | — | 9364268002 | — | 9364325002 | — | — | — | — |
| 360 | 4-Way Valve Band | — | — | 313986251802 | — | 313986251802 | — | — | — |
| 373 | Grip | 313166178700 | — | — | — | — | 9352157004 | 9352157004 | — |
| 407 | Clamp (Cable) No. 1259 | — | — | — | — | — | 313739340109 | 313739340109 | — |
| 409 | Special Nut | 9359430018 | — | — | — | — | — | — | — |
| 412 | Terminal Gasket | 9364725000 | 9351051013 | 9362370004 | 9362370004 | 9362370004 | 9362370004 | 9362370004 | — |
| 420 | Capillary Assy | 9369092008 | — | — | — | — | 9369062001 | 9369095009 | — |
| 423 | Noise Insulation-F (Comp.) | 9350944019 | — | — | — | — | — | — | — |
| 477 | Bell-Mouth | — | — | — | — | — | 9359809012 | 9359809012 | — |
| 527 | Protection Net | 9355444002 | — | — | — | — | 9359844013 | 9359844013 | — |
| 549 | Thermostat-Outdoor | — | — | — | — | — | 9352553004 | — | — |
| 620 | Inlet Pipe Assy | — | — | — | — | 9367298006 | — | — | — |
| 635 | Terminal Washer | 9359428015 | — | — | — | — | — | — | — |
| 646 | Compressor Cover-B | — | 9363021004 | 313986355101 | — | 9367293001 | — | — | — |
| 653-1 | Bolt (Fan Motor Fixing) | — | — | — | — | — | 0700156014 | 0700156014 | — |
| 662 | Inlet Pipe-D | — | — | — | — | 9367301003 | — | — | — |
| 702 | Restrictor Valve Assy | — | — | 9365392058 | — | 9365392065 | — | — | — |
| 717 | Center Plate | — | 9351253011 | 9351253011 | 9351253011 | 9351253011 | — | — | — |
| 718 | Discharge Pipe-C | — | — | — | — | 9367123001 | — | — | — |
| 734 | Cabinet Top Plate Panel | 9302937014 | — | — | — | — | 9359799023 | 9359799023 | — |
| 735 | Distributor Assy | — | — | — | — | — | — | 9369076008 | — |
| 737 | Suction Pipe-A | 9352384004 | — | — | — | — | — | — | — |
| 744 | Clamp (Condenser) | 313166374106 | — | — | — | — | 313166374106 | 313166374106 | — |

ROW-14HB, ROW-18CB
 ROW-18HB, ROW-24CB
 ROW-24HB, ROW-30CB
 ROW-30HB

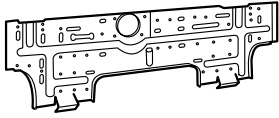
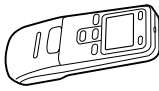

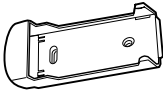
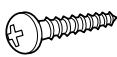

OUTDOOR UNIT (Continued)

When you order parts, please make a photocopy of this page and fill the number of the parts in the "Order" column.


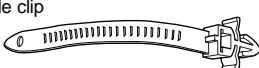
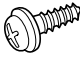
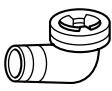
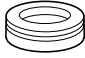
| Ref. No. | Description | Part No. | | | | | | | Ord. |
|----------|---------------------------|--------------|------------|------------|------------|------------|------------|------------|------|
| | | ROW-14HB | ROW-18CB | ROW-18HB | ROW-24CB | ROW-24HB | ROW-30CB | ROW-30HB | Q'ty |
| 745 | Motor Support | 313166036308 | — | — | — | — | — | — | |
| 754 | Terminal Gasket Washer | — | 9351053017 | — | — | — | — | — | |
| 772 | Joint Pipe-A | — | — | — | — | — | 9369060007 | 9369084003 | |
| 772-3 | Joint Pipe (Valve) | — | — | — | — | — | — | 9369082009 | |
| 772-4 | Joint Pipe (Valve)-B | — | — | — | — | — | — | 9369083006 | |
| 808 | Inlet Pipe (Accumulator) | — | — | — | — | — | — | 9369081002 | |
| 815 | Terminal-4p | 9358660041 | — | — | — | — | — | — | |
| 815 | Terminal-5p | — | 9356497021 | — | 9356497021 | — | — | — | |
| 815-3 | Terminal-8p | — | — | 9358660119 | — | 9358660119 | 9358660119 | 9358660119 | |
| 817 | Thermostat Fixture | — | — | — | — | — | 9352164019 | — | |
| 823-2 | Fuse Holder | — | 0500063024 | 0500063024 | 0500063024 | 0500063024 | 0500063024 | 0500063024 | |
| 824-4 | Fuse | — | 0600222529 | 0600222529 | 0600222529 | 0600222529 | 0600222529 | 0600222529 | |
| 826 | Cond Pipe-B Assy | 9369089008 | — | — | — | — | — | — | |
| 867 | Accumulator Holder Rubber | — | — | 9354022027 | — | 9354022010 | — | 9354022010 | |
| 909 | Strainer-A | — | — | — | — | 9365112014 | — | — | |
| 910 | Strainer-B | — | — | 9365099018 | — | — | — | 9365099018 | |
| 982-1 | Cord Clamp | 9356857009 | — | — | — | — | — | — | |
| 982-2 | Cord Clamp-B | 9356858006 | — | — | — | — | — | — | |
| 983 | Thermostat Cover | — | — | — | — | — | 9358274002 | — | |
| 987 | Insulation Sheet | 9358372005 | — | — | — | — | — | — | |
| 989-1 | Cord Clamp-A | — | — | — | — | — | 9359822011 | 9359822011 | |
| 989-2 | Cord Clamp-B | — | — | — | — | — | 9359823018 | 9359823018 | |

STANDARD ACCESSORIES


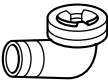
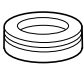
INDOOR UNIT ACCESSORIES

| Name and Shape | Part No. |
|---|--|
| Wall hook bracket  | 9367987009 |
| Remote control unit  | 18C, 24C, 30C model 9368374044 (AR-HG4) 14H, 18H, 24H, 30H model 9368374037 (AR-HG3) |
| Battery (penlight)  | 0600185534 |
| Remote control unit holder  | 9305642012 |
| Tapping screw (big) (ø4 x 20)  | 301141164200 |
| Tapping screw (small) (ø3 x 12)  | 301141533125 |




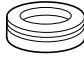
OUTDOOR UNIT ACCESSORIES (30,000 BTU model)

| Name and Shape | Part No. |
|--|---|
| Hexagon wrench  | 9351228019 |
| Cable clip  | 313739340109 |
| Tapping screw  | 301463040100 |
| Drain pipe  | 9303029015 [Heat & cool model (Reverse cycle) only] |
| Drain cap  | 313166024302 [Heat & cool model (Reverse cycle) only] |

OUTDOOR UNIT ACCESSORIES (14,000 BTU model)

| Name and Shape | Part No. |
|---|---|
| Hexagon wrench  | 9351228019 |
| Drain pipe  | 9303029015 [Heat & cool model (Reverse cycle) only] |
| Drain cap  | 313166024302 [Heat & cool model (Reverse cycle) only] |

OUTDOOR UNIT ACCESSORIES (18,000 • 24,000BTU model)

| Name and Shape | Part No. |
|---|---|
| Hexagon wrench  | 9351228019 |
| Drain pipe  | 313728031005 [Heat & cool model (Reverse cycle) only] |
| Flexible tube  | 313013042915 [Heat & cool model (Reverse cycle) only] |
| Drain cap  | 313166024302 [Heat & cool model (Reverse cycle) only] |



MANUFACTURER :

Fuji Denki Sosetsu Co., Ltd.

Tokyo, Japan