



**SPLIT TYPE ROOM AIR
CONDITIONER**
FLOOR CONSOLE /
UNDER CEILING
DUAL type (50Hz)

SERVICE MANUAL

| Models | Indoor unit | Outdoor unit |
|--------|-------------|--------------|
| | RYT-14 | ROY-14AA |
| | RYT-14R | ROY-14R |
| | | ROY-14RA |

CONTENTS

| | |
|---|----|
| SPECIFICATIONS..... | 1 |
| OUTLINE AND DIMENSIONS..... | 2 |
| CIRCUIT DIAGRAM..... | 3 |
| REFRIGERANT SYSTEM DIAGRAM..... | 5 |
| P. C. BOARD LAYOUTS..... | 6 |
| INDOOR PRINTED CIRCUIT BOARD CIRCUIT DIAGRAM..... | 7 |
| DISASSEMBLY ILLUSTRATION..... | 9 |
| PARTS LIST..... | 17 |

SPECIFICATIONS

| | | | | |
|------------------|-----|---------------|---------------|---------------|
| TYPE | | COOL | COOL & HEAT | COOL & HEAT |
| INDOOR UNIT | | RYT-14 | RYT-14R | RYT-14R |
| OUTDOOR UNIT | | ROY-14AA | ROY-14R | ROY-14RA |
| COOLING CAPACITY | (W) | 4,000 - 4,100 | 3,950 - 4,050 | 3,950 - 4,050 |
| HEATING CAPACITY | (W) | — | 4,900 - 5,000 | 4,900 - 5,000 |

ELECTRICAL DATA

| | | | | | |
|--------------------|----------------------|-----------|---------------|---------------|---------------|
| POWER SOURCE | (V) | 220 - 240 | | | |
| FREQUENCY | (Hz) | 50 | | | |
| RUNNING CURRENT | (A) | COOLING | 7.9 - 8.3 | 7.6 - 8.0 | 7.6 - 8.0 |
| | | HEATING | — | 7.6 - 8.0 | 7.6 - 8.0 |
| INPUT WATTS | (W) | COOLING | 1,670 - 1,800 | 1,620 - 1,760 | 1,620 - 1,760 |
| | | HEATING | — | 1,610 - 1,730 | 1,610 - 1,730 |
| EER | (W/W) | COOLING | 2.39 - 2.28 | 2.44 - 2.30 | 2.44 - 2.30 |
| | | HEATING | — | 3.04 - 2.89 | 3.04 - 2.89 |
| MOISTURE REMOVAL | (ℓ /hr) | 1.6 | | | |
| AIR CIRCULATION-Hi | (m ³ /hr) | 640 | | | |

COMPRESSOR

| | | | | |
|-------------|---|--------------|------------|-------|
| TYPE | Hermetic type, Permanent split condenser, 2 pole, Single phase, Induction motor | | | |
| CODE | QJ282PC24A | 2KS282D5AA01 | QJ282PC24A | |
| REFRIGERANT | R-22 (g) | 1,130 | 1,090 | 1,140 |

FAN MOTOR

| | | | |
|--------------|--------------------|-----------|--|
| POWER SOURCE | (V) | 240 | |
| INDOOR UNIT | TYPE | MFA-14CT | |
| | HI-SPEED (r.p.m.) | 850 | |
| | MED-SPEED (r.p.m.) | 760 | |
| | LO-SPEED (r.p.m.) | 670 | |
| OUTDOOR UNIT | TYPE | MFA-14VTB | |
| | FAN SPEED (r.p.m.) | 750 | |

DIMENSIONS

| | | | |
|--------------|----------------|-----------------|--|
| INDOOR UNIT | H x W x D (mm) | 199 x 990 x 665 | |
| OUTDOOR UNIT | | 530 x 750 x 250 | |

WEIGHTS

| | | | | |
|--------------|------------------|---------|---------|---------|
| INDOOR UNIT | GROSS / NET (kg) | 39 / 30 | | |
| OUTDOOR UNIT | | 38 / 36 | 40 / 38 | 39 / 37 |

ADDITIONAL REFRIGERANT CHARGE

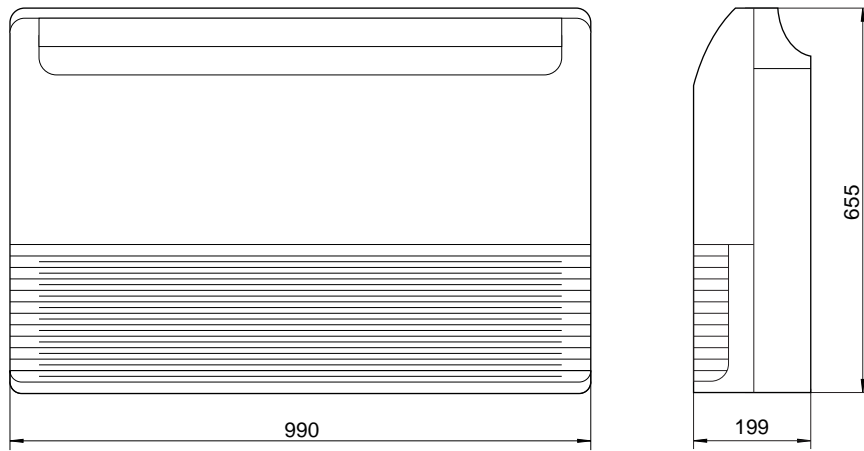
| | | | | |
|--------------------|----------|-------------------|-------------------|-------------------|
| PIPE LENGTH | | 5 m(16 ft.) | 7 m(23 ft.) | 10 m(33 ft.) |
| FULL CHARGE AMOUNT | ROY-14AA | 1,130 g(39.9 oz.) | 1,190 g(42.0 oz.) | 1,280 g(45.2 oz.) |
| | ROY-14R | 1,090 g(38.4 oz.) | 1,150 g(40.6 oz.) | 1,240 g(43.7 oz.) |
| | ROY-14RA | 1,140 g(40.2 oz.) | 1,200 g(42.3 oz.) | 1,290 g(45.5 oz.) |

Note : In the case that 5 m are exceeded, when using a connection pipe other than that in the table, charge additional refrigerant with 30 g (1.1 oz.)/1 m(3.3 ft.) for ROY-14AA, ROY-14R and ROY-14RA as the criteria.

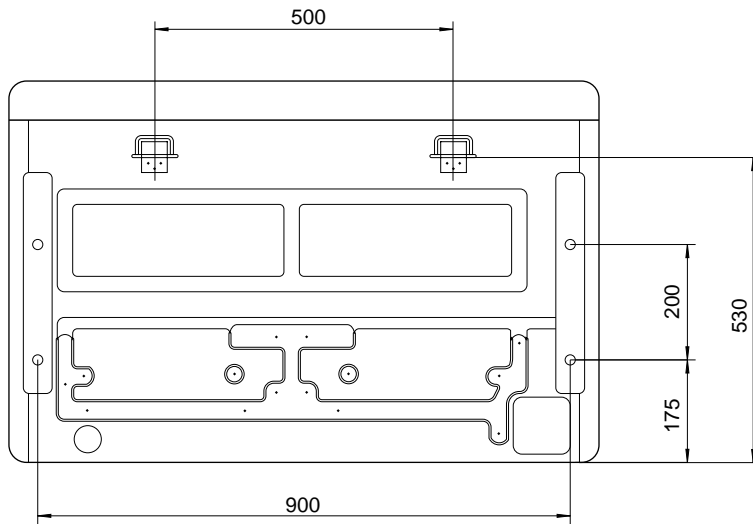
OUTLINE AND DIMENSIONS

INDOOR UNIT

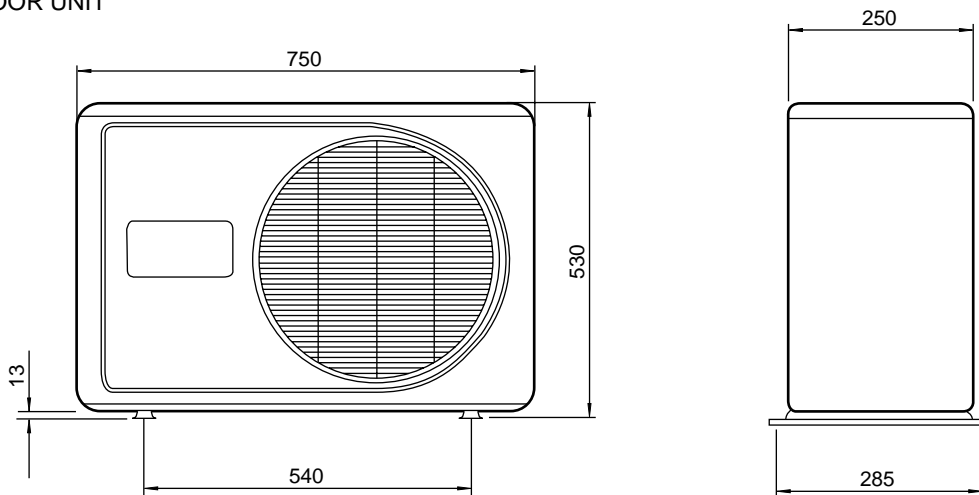
UNIT : mm



[Rear View]

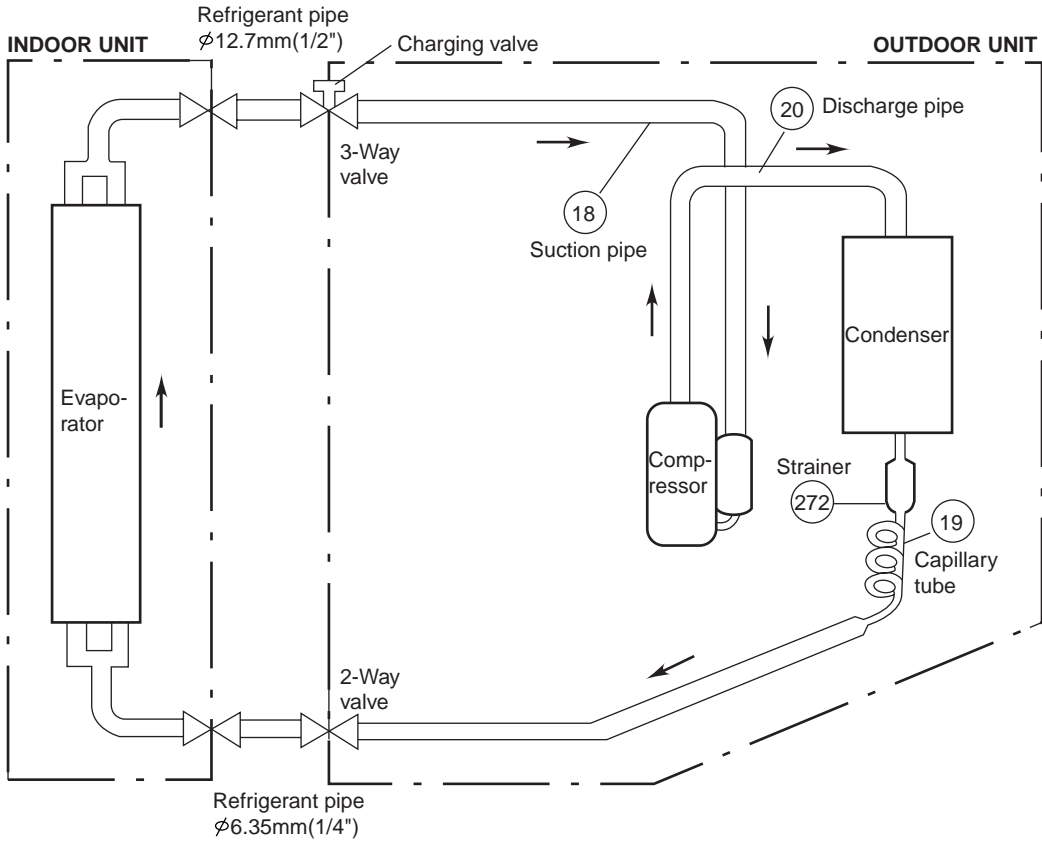


OUTDOOR UNIT

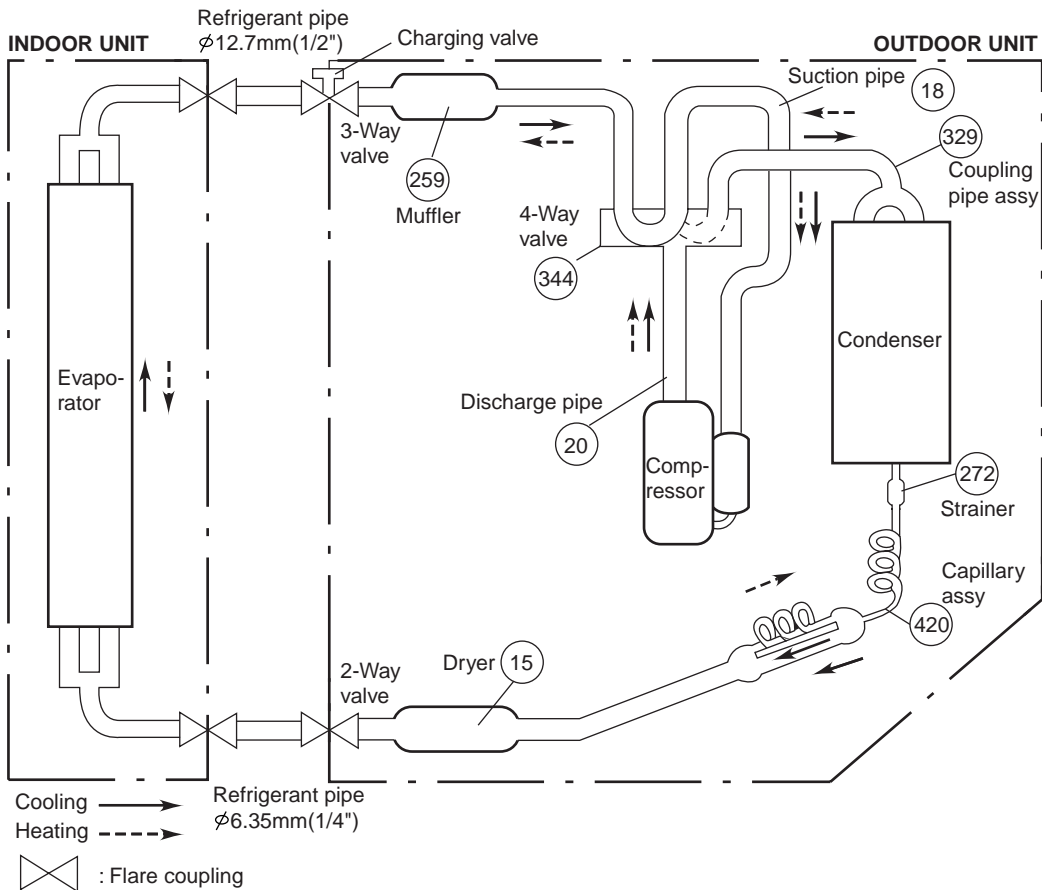


REFRIGERANT SYSTEM DIAGRAM

Models : RYT-14 / ROY-14AA

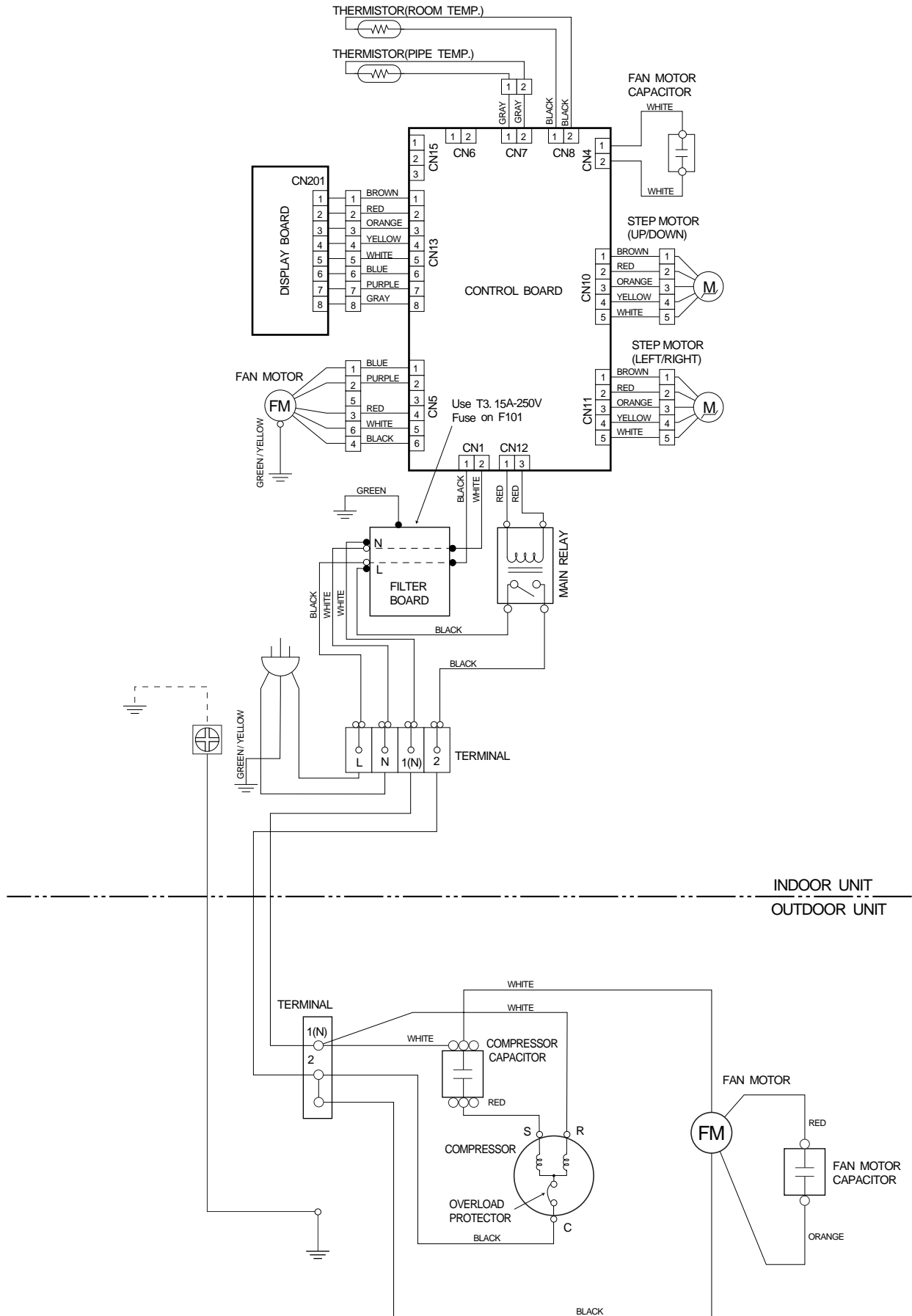


Models : RYT-14R / ROY-14R
ROY-14RA

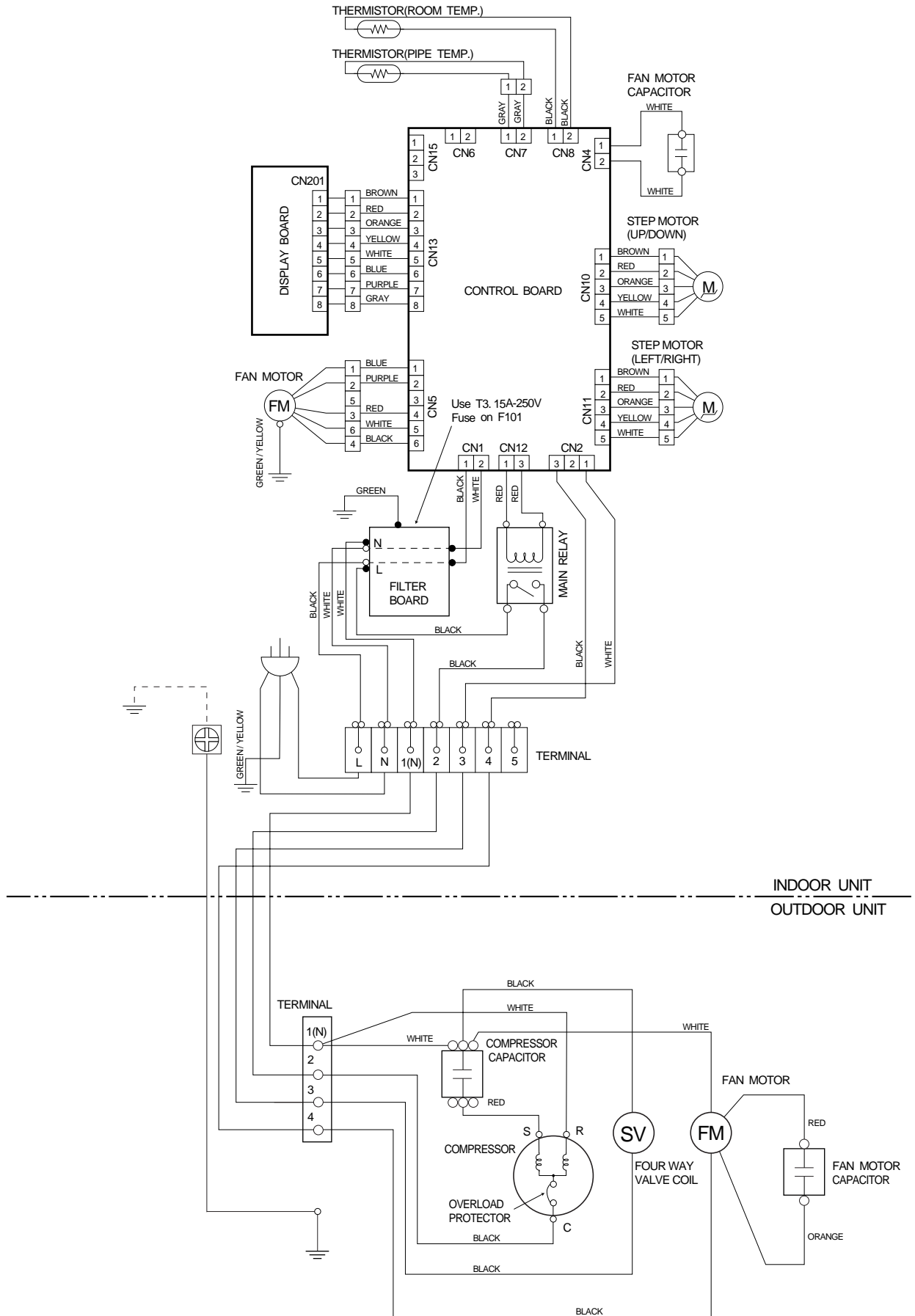


CIRCUIT DIAGRAM

Models : RYT-14 / ROY-14AA

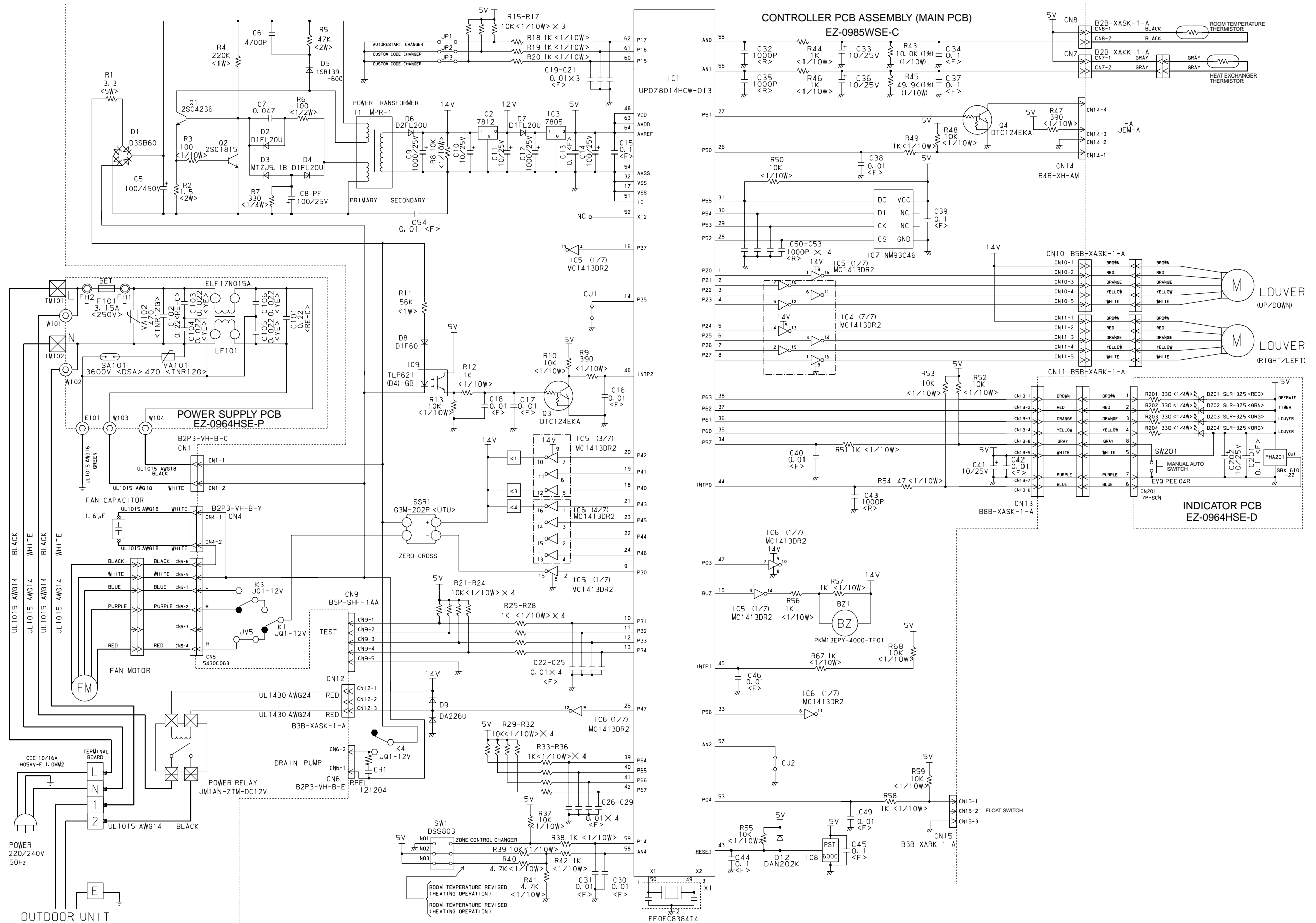


Models : RYT-14R / ROY-14R
 ROY-14RA

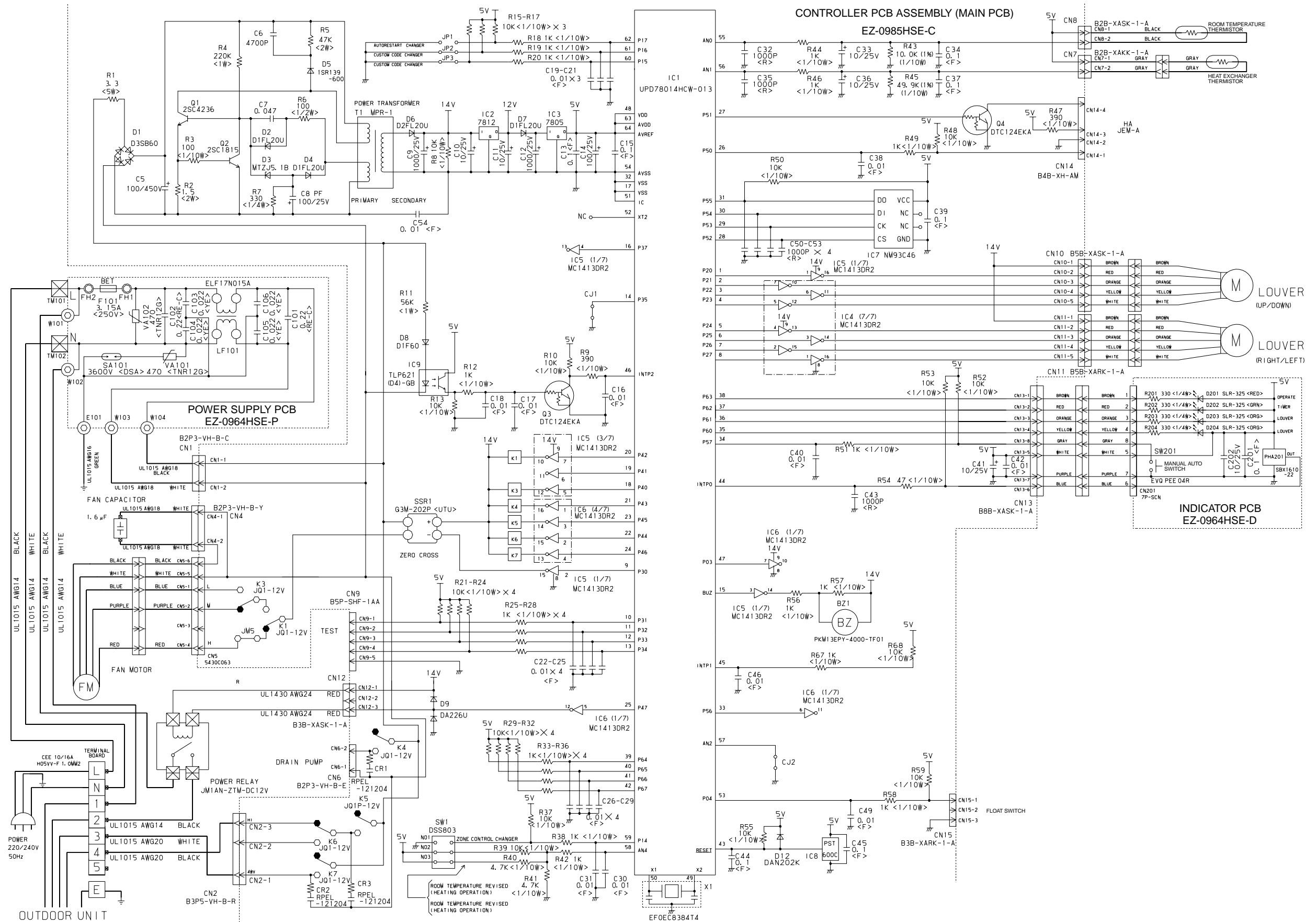


INDOOR PRINTED CIRCUIT BOARD CIRCUIT DIAGRAM

Model : RYT-14



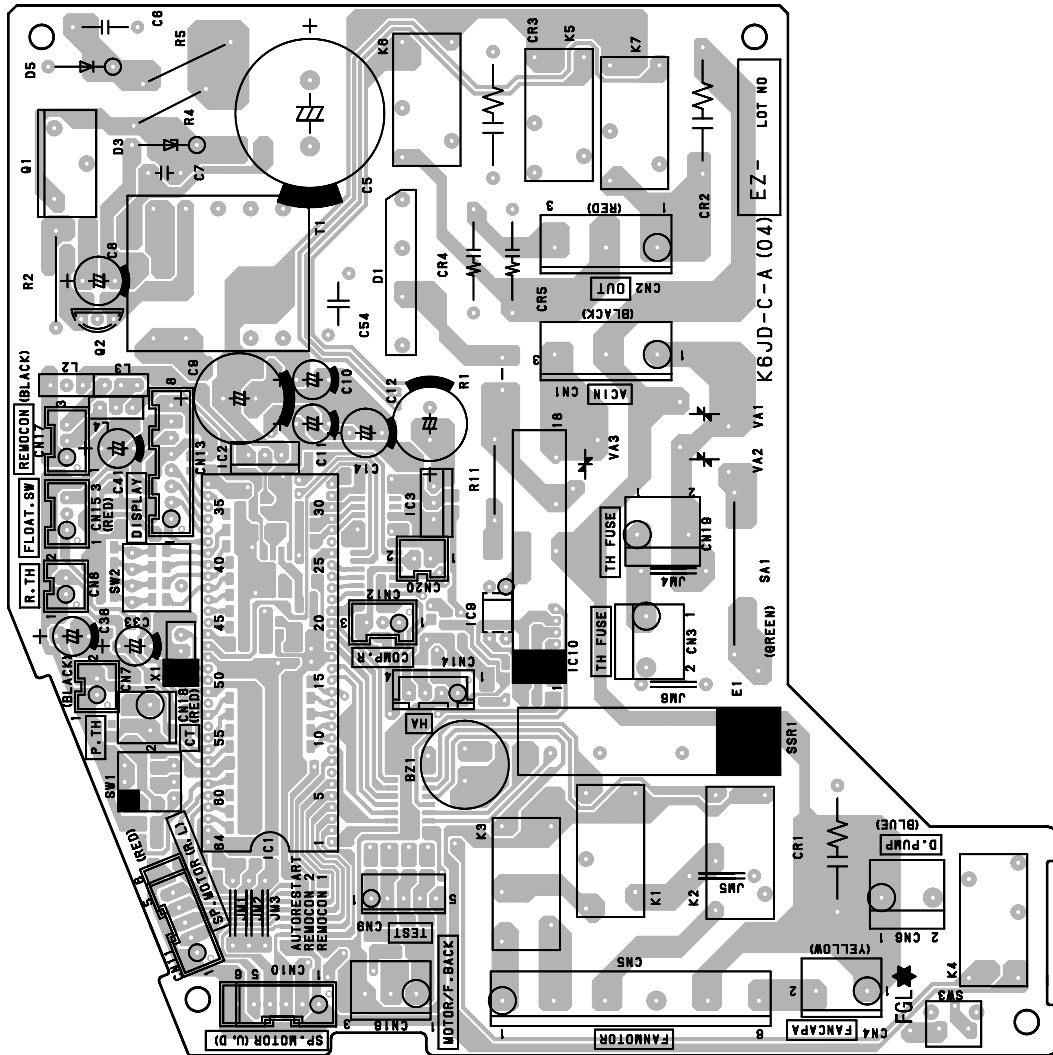
Model : RYT-14R



P.C. BOARD LAYOUTS

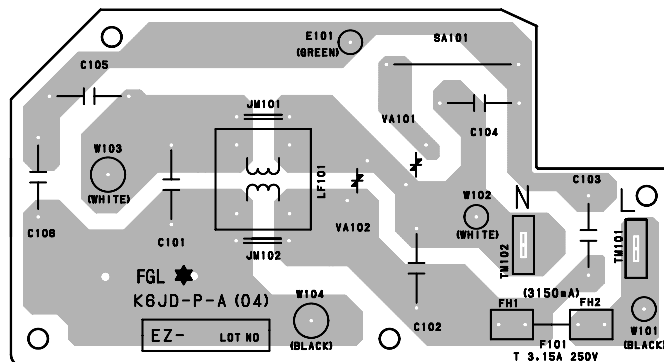
CONTROLLER PCB ASSEMBLY (MAIN PCB)

(Viewed from the component side)

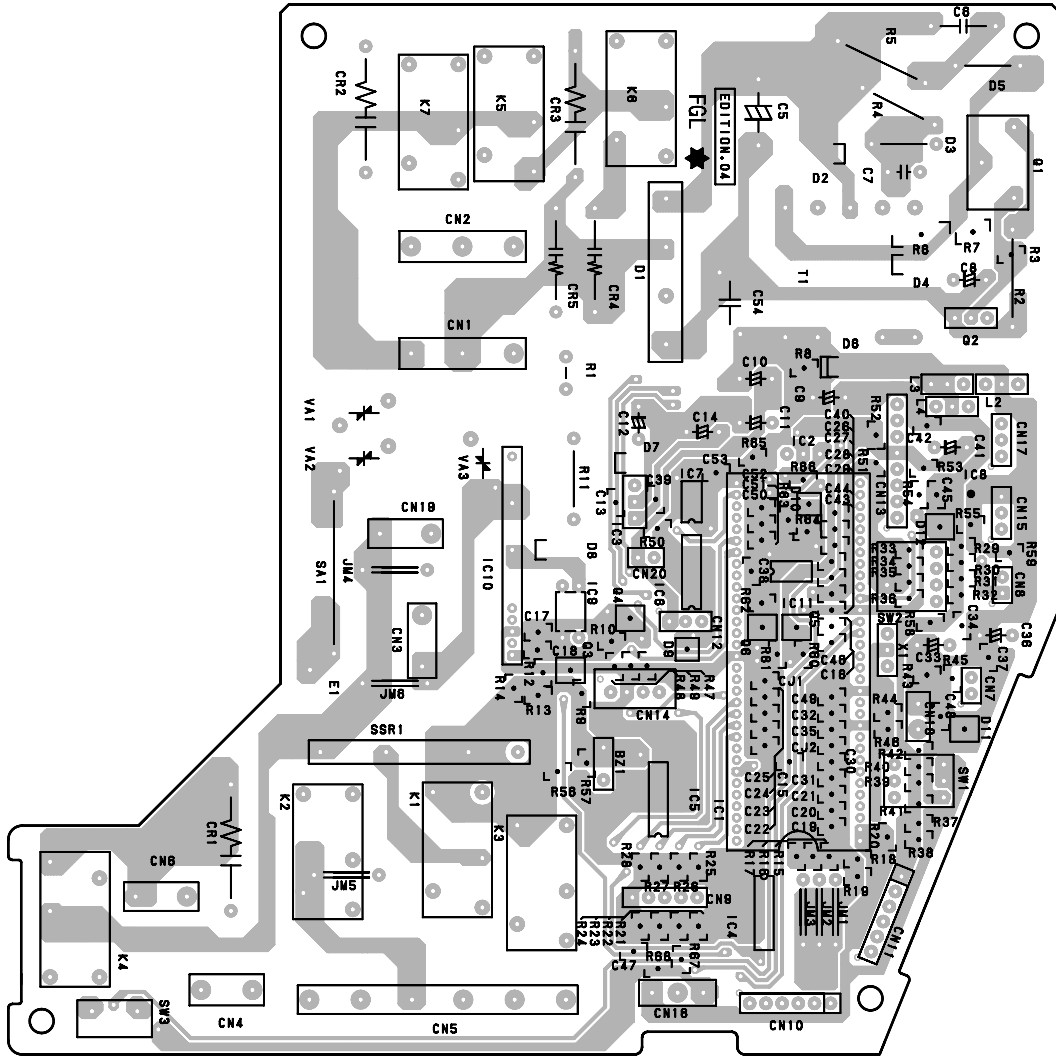


FILTER PCB ASSEMBLY

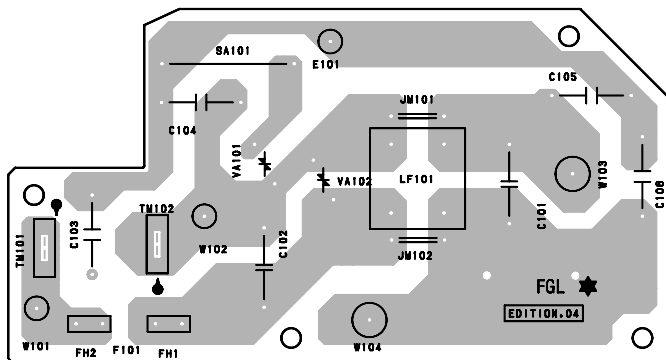
(Viewed from the component side)



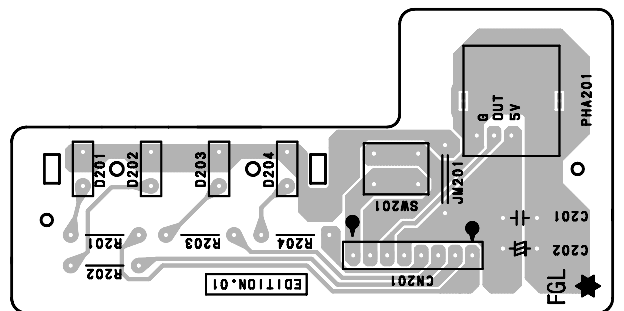
CONTROLLER PCB ASSEMBLY (MAIN PCB)
(Viewed from the solder side)



FILTER PCB ASSEMBLY
(Viewed from the solder side)

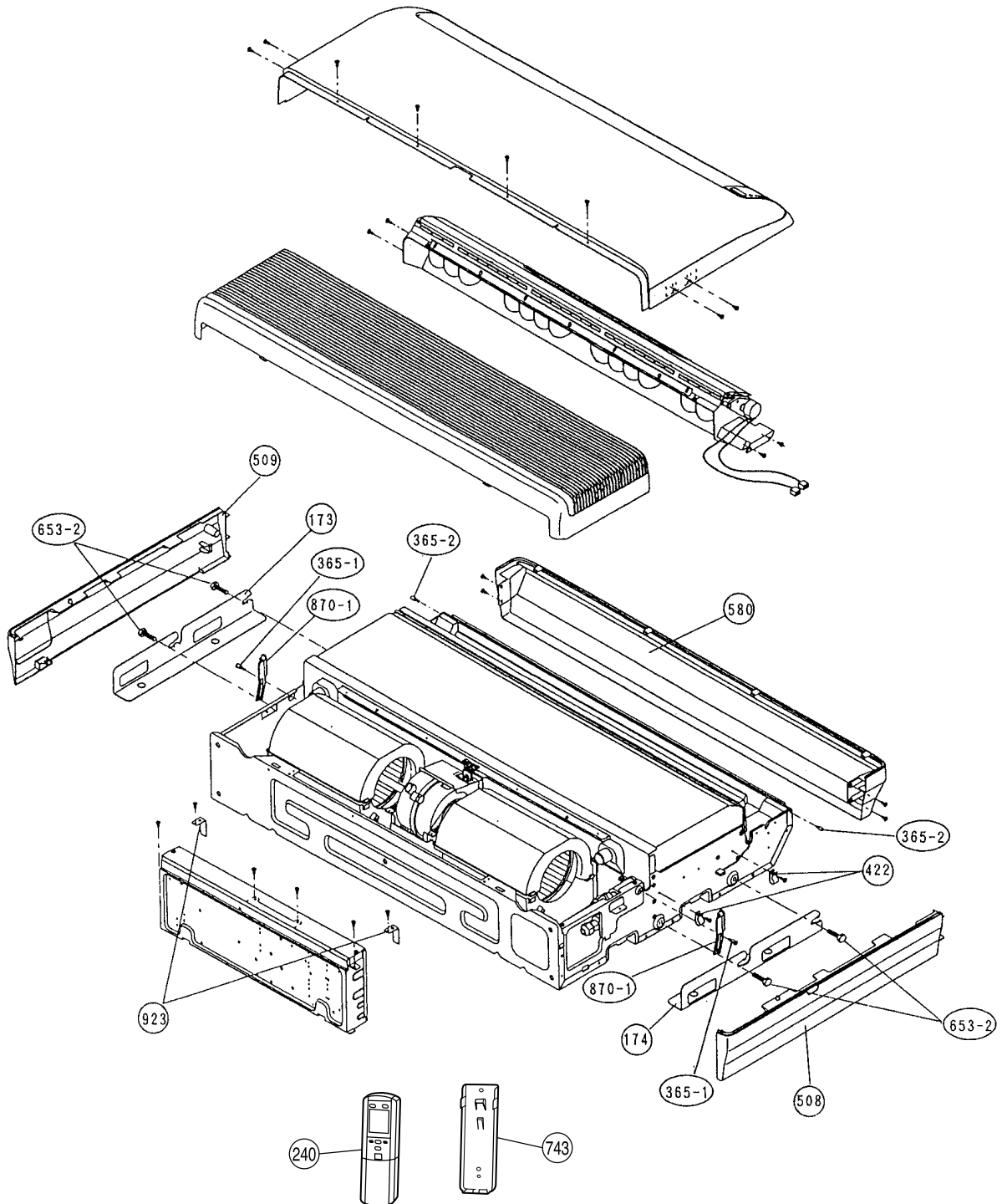


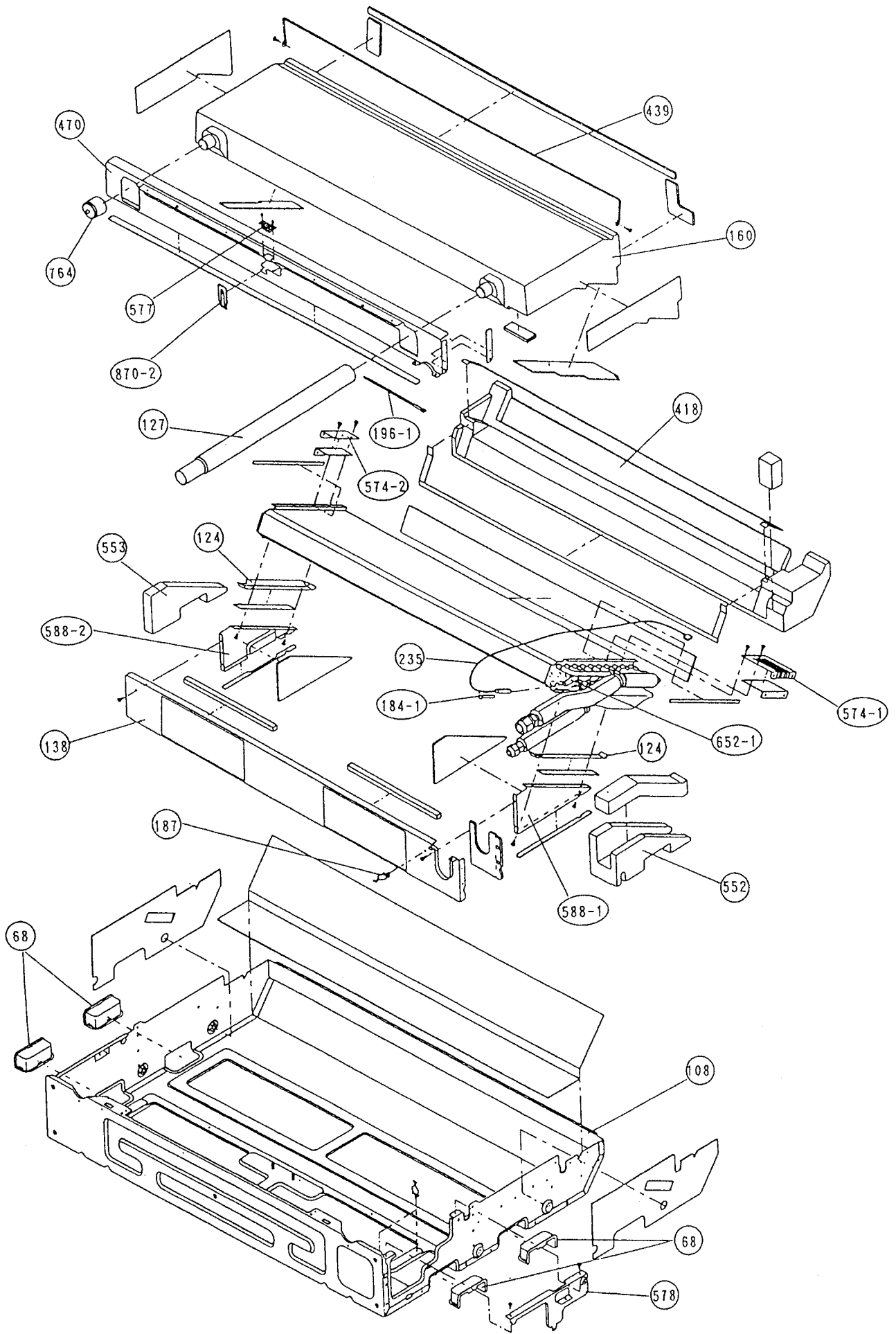
INDICATOR PCB ASSEMBLY
(Viewed from the solder side)

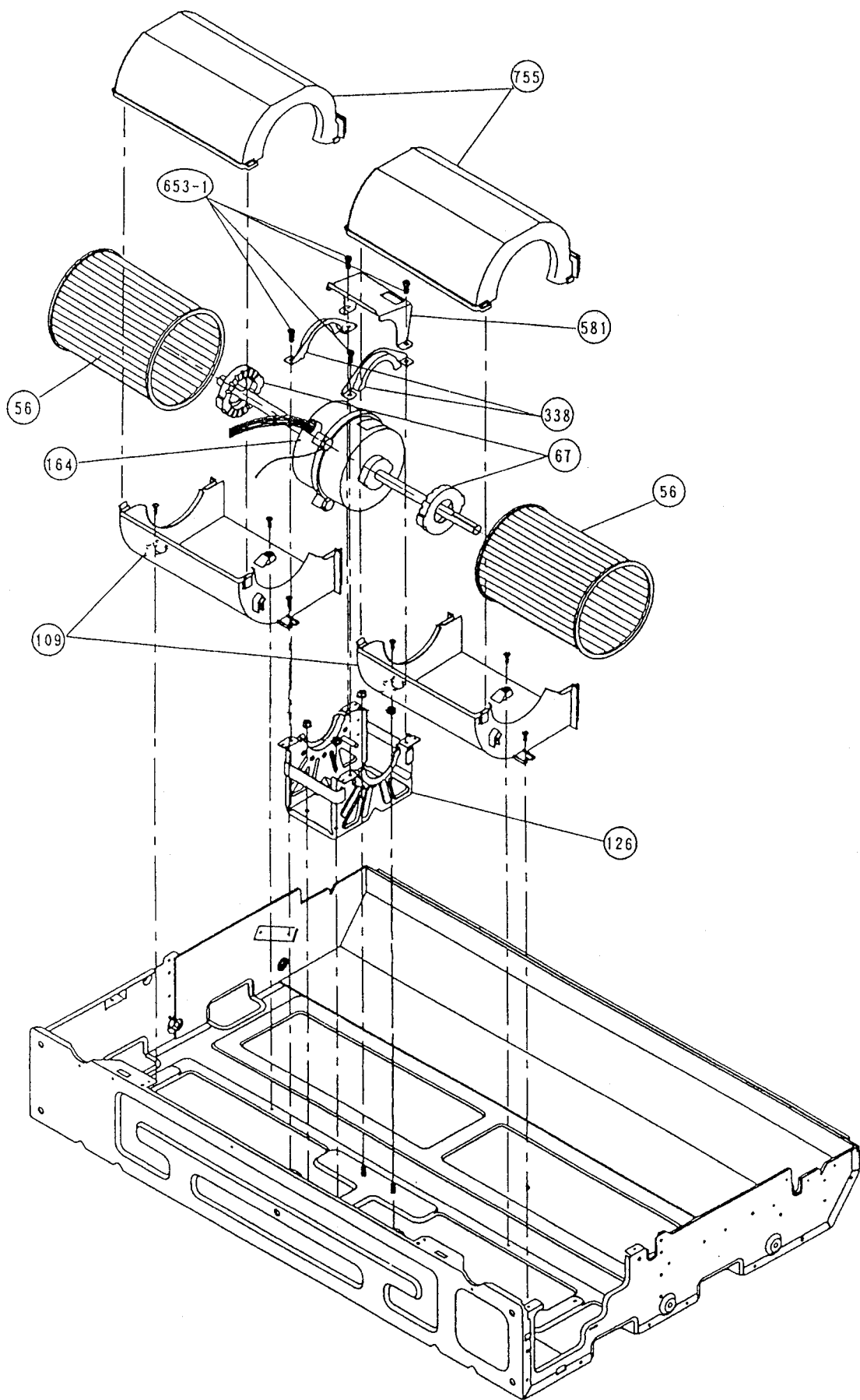


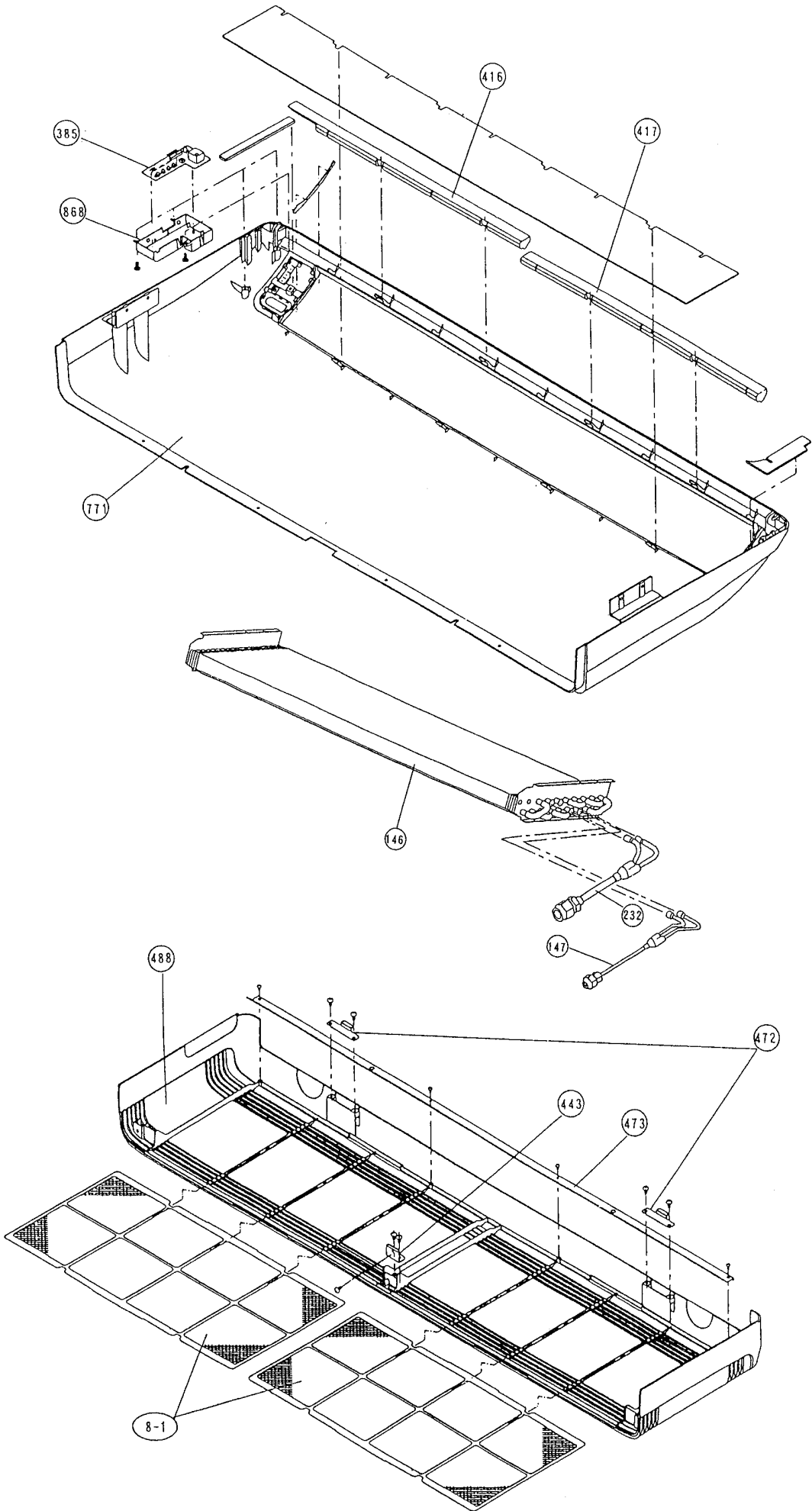
DISASSEMBLY ILLUSTRATION

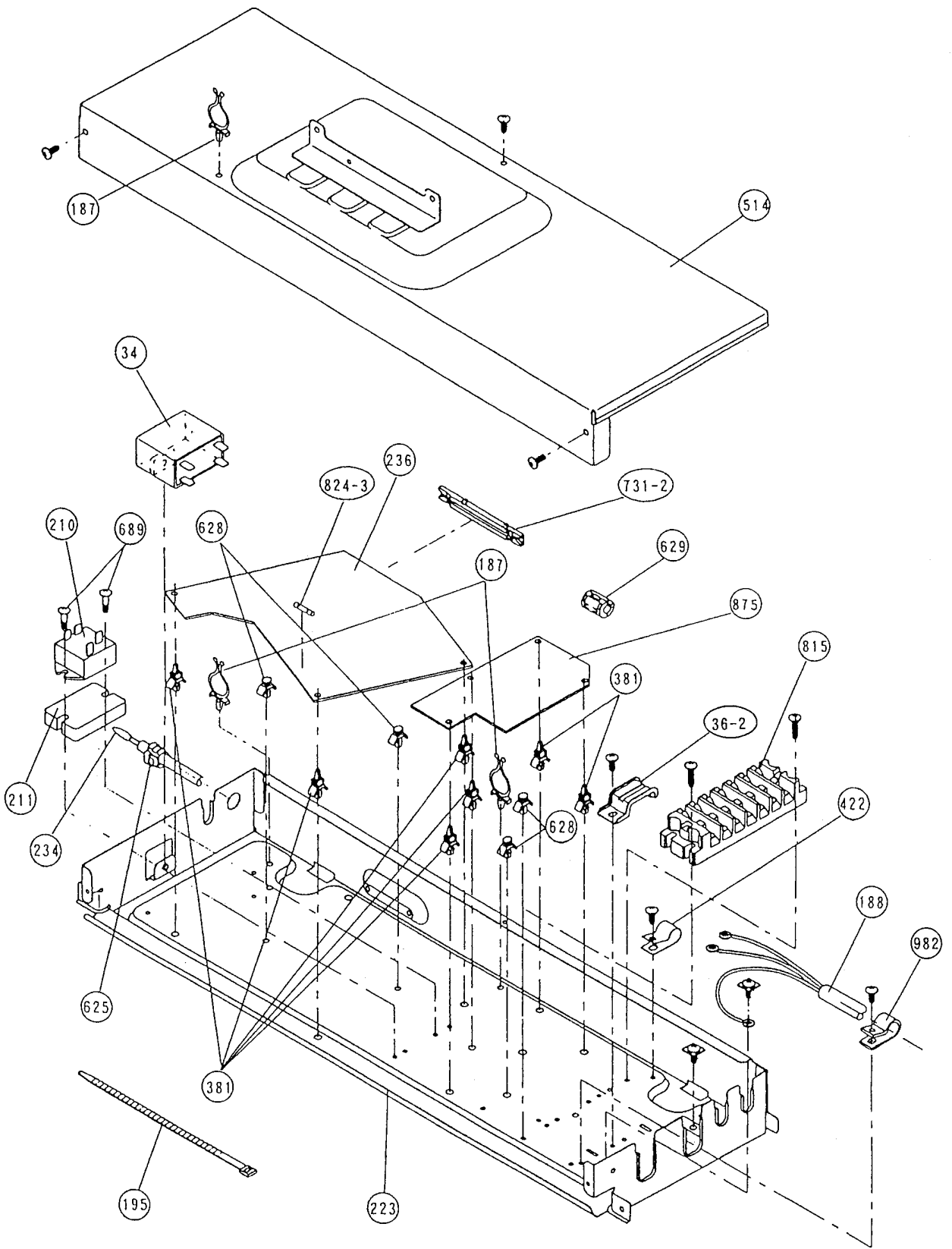
Models : RYT-14
R YT-14R

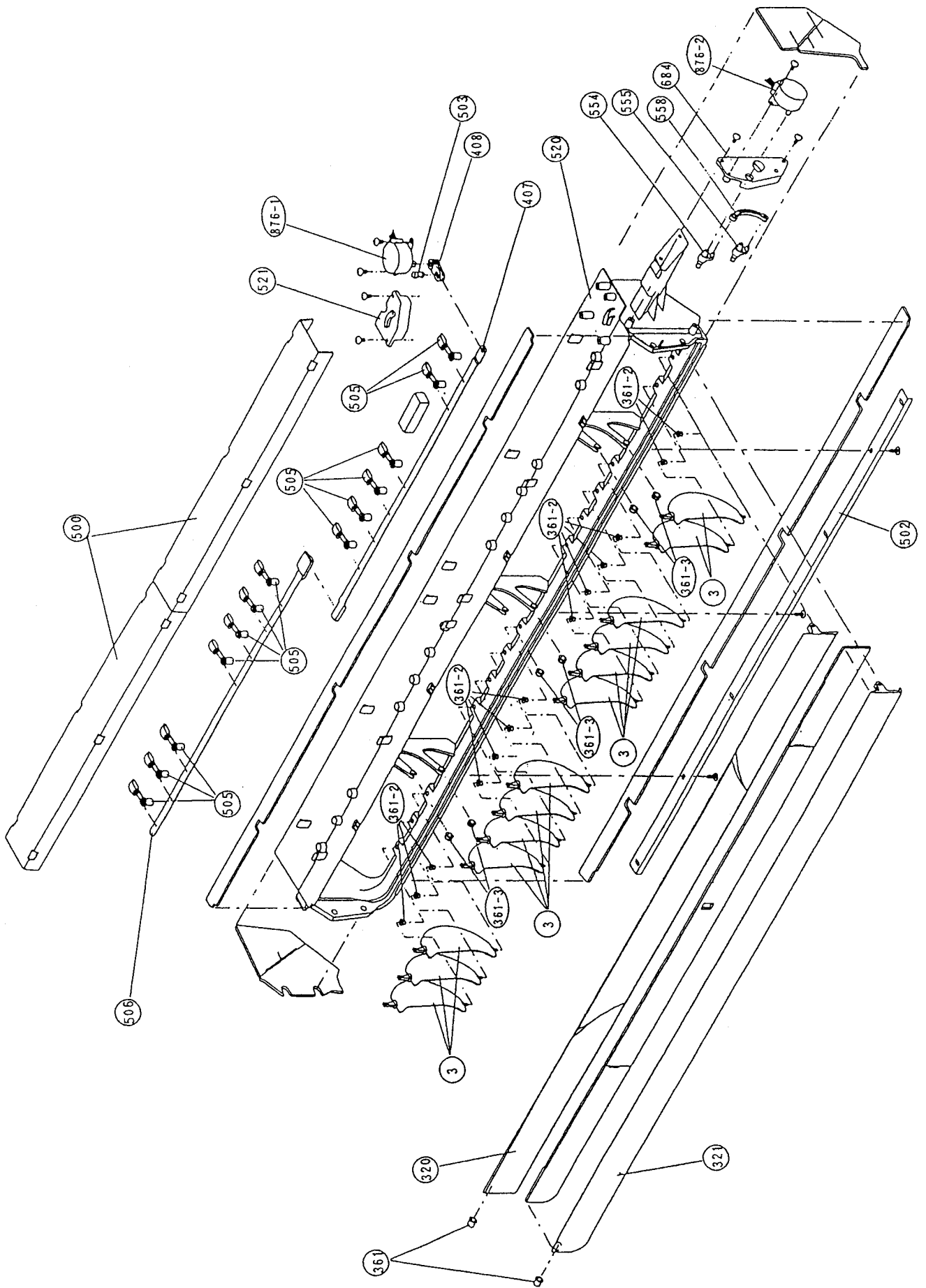


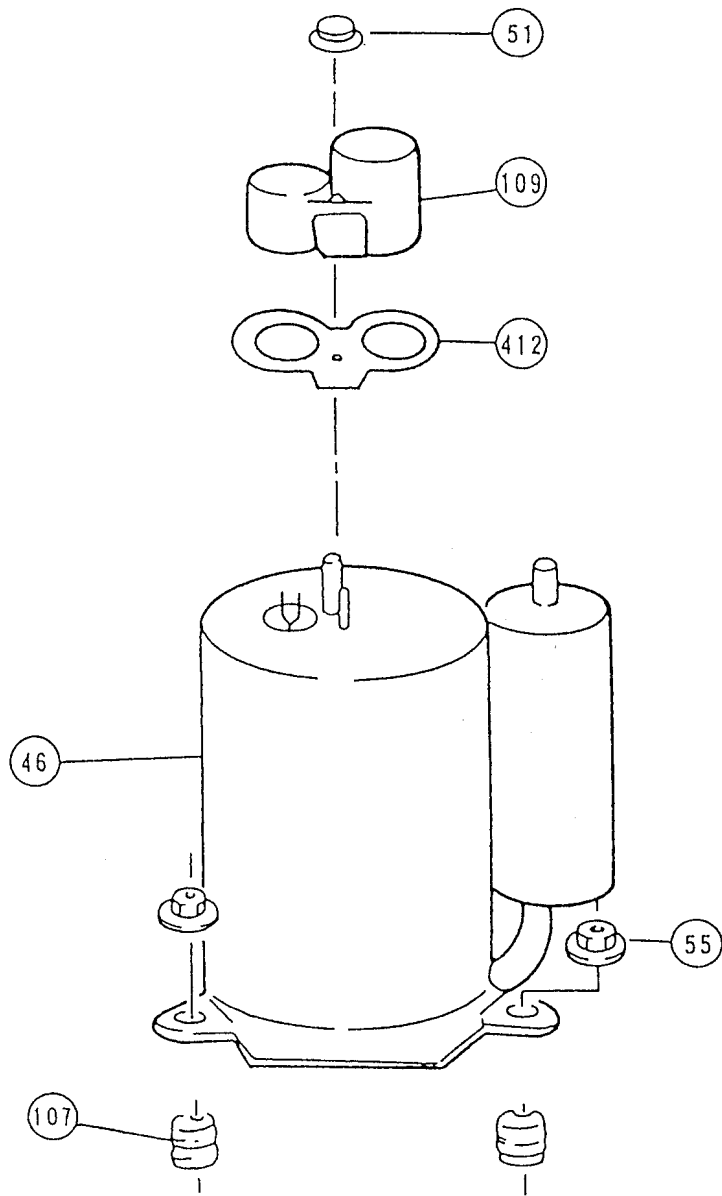












PARTS LIST

When you order parts, please make a photocopy of this page
and fill the number of the parts in the "Order" column.

INDOOR UNIT

| Ref. No. | Description | Part No. | | Ord. |
|-------------|----------------------------------|--------------|--------------|------|
| | | RYT-14 | RYT-14R | Q'ty |
| 3 | Louver | 9358561010 | 9358561010 | |
| 8-1 | Air Filter | 9358567012 | 9358567012 | |
| 34 | Capacitor (Fan Motor) | 9700468080 | 9700468080 | |
| 36-2 | Cord Holder Metal | 9356362008 | 9356362008 | |
| 56 | Sirocco Fan Assy | 9358621004 | 9358621004 | |
| 67 | Rubber (Vibration-proof) | 313659068604 | 313659068604 | |
| 68 | Cap. Plastic | 9358563007 | 9358563007 | |
| 108 | Base Assy | 9359061014 | 9359061014 | |
| 109 | Casing, Plastic | 9358543009 | 9358543009 | |
| 124 | Dew Proof Plate | 9359196006 | 9359196006 | |
| 126 | Motor Fixing Table Assy | 9358591000 | 9358591000 | |
| 127 | Drain Hose Assy | 9359242000 | 9359242000 | |
| 138 | Separate Wall-A | 9358584002 | 9358584002 | |
| 146 | Evaporator Assy | 9359379003 | 9359379003 | |
| 147 | Inlet Pipe (Eva.) Assy, Welded | 9359370000 | 9359370000 | |
| 160 | Drain Pan Assy | 9358568002 | 9358568002 | |
| 164 | Fan Motor Assy-In | 9600778012 | 9600778012 | |
| 173 | Hanger Bracket-L | 9358596005 | 9358596005 | |
| 174 | Hanger Bracket-R | 9358595008 | 9358595008 | |
| 184-1 | Thermistor Spring-A | 313728262708 | 313728262708 | |
| 187 | Clamp No. 1219 | 313361271706 | 313361271706 | |
| 188 | Power Cord Assy | 9701149032 | 9701149032 | |
| 195 | Clamp SKB-100 | 313361275805 | 313361275805 | |
| 196-1 | Clamp SKB-3M | 312300787605 | 312300787605 | |
| 210 | Main Relay | 9356781007 | 9356781007 | |
| 211 | Cushion Rubber | 313806328306 | 313806328306 | |
| 223 | Control Box | 9358600016 | 9358600016 | |
| 232 | Outlet Pipe (Evaporator) Assy | 9359374008 | 9359374008 | |
| 234 | Thermistor Assy | 9703299025 | 9703299025 | |
| 235 | Thermistor Assy-Pipe | 9701102068 | 9701102068 | |
| 236 | Controller PCB Assy EZ-096VWSE-C | 9701941094 | — | |
| 236 | Controller PCB Assy EZ-0975HSE-C | — | 9701941124 | |
| 240 | Remote Control Unit AR-DL5 | — | 9359913054 | |
| 240 | Remote Control Unit AR-DL6 | 9359913061 | — | |
| 320 | Flap (Upper)-O | 9358540015 | 9358540015 | |
| 321 | Flap (Lower) | 9358541012 | 9358541012 | |
| 338 | Motor Fixture | 9358594001 | 9358594001 | |
| 361 | Bushing | 9357942001 | 9357942001 | |
| 361-2 | Bushing-B, Plastic | 9358554005 | 9358554005 | |
| 361-3 | Bushing-C, Plastic | 9358553008 | 9358553008 | |
| 365-1 | Special Screw | 9359092001 | 9359092001 | |
| 365-2 | Special Screw | 9359091004 | 9359091004 | |
| 381 | Locking Spacer | 313209391506 | 313209391506 | |
| 385 | Indicator PCB Assy | 9701873012 | 9701873012 | |
| 407 | Motor Rod | 9358560006 | 9358560006 | |
| 408 | Louver Link | 9358556009 | 9358556009 | |
| 416 | Insulation (Panel)-A | 9358574003 | 9358574003 | |
| 417 | Insulation (Panel)-B | 9358914007 | 9358914007 | |
| 418 | Insulation (Flap Base) | 9358572009 | 9358572009 | |
| 422 | Clamp NK-10N | 9359183006 | 9359183006 | |
| 439 | Drain Pan Wire | 9358598009 | 9358598009 | |
| 443 | Arm Bracket | 9359281009 | 9359281009 | |
| 470 | Separate Wall-B | 9358585009 | 9358585009 | |
| 472 | Grille Support | 9358602003 | 9358602003 | |
| 473 | Filter Bracket | 9358607008 | 9358607008 | |
| 488 | Grille-G | 9358533017 | 9358533017 | |
| 500 | Protect Cover | 9358564004 | 9358564004 | |
| 502 | Support Stay | 9358599006 | 9358599006 | |
| 503 | Louver Shaft | 9358557006 | 9358557006 | |
| 505 | Louver Stopper | 9358555002 | 9358555002 | |
| 506 | Louver Rod | 9358559000 | 9358559000 | |

When you order parts, please make a photocopy of this page and fill the number of the parts in the "Order" column.

INDOOR UNIT

| Ref. No. | Description | Part No. | | Ord. |
|----------|------------------------------------|--------------|--------------|------|
| | | RYT-14 | RYT-14R | Q'ty |
| 508 | Cosmetic Panel-R | 9358535011 | 9358535011 | |
| 509 | Cosmetic Panel-L | 9358536018 | 9358536018 | |
| 514 | Control Box Cover | 9359097006 | 9359097006 | |
| 520 | Flap Base | 9358537015 | 9358537015 | |
| 521 | Louver Link Cover | 9358558003 | 9358558003 | |
| 552 | Insulation (Evaporator)-R | 9358575000 | 9358575000 | |
| 553 | Insulation (Evaporator)-L | 9358857007 | 9358857007 | |
| 554 | Flap Link-Upper (Step Motor-V) | 9358551004 | 9358551004 | |
| 555 | Flap Link-Lower (Step Motor-V) | 9358552001 | 9358552001 | |
| 558 | Motor Rod-A (Step Motor-V) | 9358550007 | 9358550007 | |
| 574-1 | Evaporator Fixture-R (Bracket) | 9358589007 | 9358589007 | |
| 574-2 | Evaporator Fixture-L (Bracket) | 9358590003 | 9358590003 | |
| 577 | Catch TL-119 | 9359096009 | 9359096009 | |
| 578 | Base Bracket (Reinforcement Metal) | 9358586006 | 9358586006 | |
| 580 | Top Cover | 9358534014 | 9358534014 | |
| 581 | Protect, Metal (Fan Motor) | 9359282006 | 9359282006 | |
| 588-1 | Evaporator Bracket-R | 9358587003 | 9358587003 | |
| 588-2 | Evaporator Bracket-L | 9358588000 | 9358588000 | |
| 625 | Cord Bushing KR-51 | 9359240006 | 9359240006 | |
| 628 | Locking Spacer-B | 313005446558 | 313005446558 | |
| 629 | EMI Filter | 0400197119 | 0400197119 | |
| 652-1 | Thermostat Holder Pipe | 313806262805 | 313806262805 | |
| 653-1 | Bolt (Fan Motor Fixing) | 0700156014 | 0700156014 | |
| 653-2 | Bolt | 0700190018 | 0700190018 | |
| 684 | Motor Base | 9358562000 | 9358562000 | |
| 689 | Screw, Grip Tapping | 9357837000 | 9357837000 | |
| 731-2 | Holder (Guide Rail) | 0600241018 | 0600241018 | |
| 743 | Remote Control Unit Holder | 9359955016 | 9359955016 | |
| 755 | Casing Cover | 9358544006 | 9358544006 | |
| 764 | Drain Cap | 9358746004 | 9358746004 | |
| 771 | Panel Assy "FUJI ELECTRIC" | 9359076032 | 9359076032 | |
| 815 | Terminal-4P | 9358660041 | — | |
| 815 | Terminal-7P | — | 9358660102 | |
| 824-3 | Fuse BET3.15A-250V | 0600222512 | 0600222512 | |
| 868 | PCB Holder | 9358547007 | 9358547007 | |
| 870-1 | Arm | 9358565001 | 9358565001 | |
| 870-2 | Center Arm | 9359280002 | 9359280002 | |
| 875 | Filter PCB Assy | 9702081010 | 9702081010 | |
| 876-1 | Step Motor-H | 9359106012 | 9359106012 | |
| 876-2 | Step Motor-V | 9359105015 | 9359105015 | |
| 923 | Control Box Bracket | 9358717004 | 9358717004 | |
| 982 | Cord Clamp | 9357864006 | 9357864006 | |

When you order parts, please make a photocopy of this page and fill the number of the parts in the "Order" column.

OUTDOOR UNIT

| Ref. No. | Description | Part No. | | | Ord. |
|----------|------------------------------|--------------|--------------|--------------|------|
| | | ROY-14AA | ROY-14R | ROY-14RA | Q'ty |
| 2 | Fan Cover | 9304109006 | 9304109006 | 9304109006 | |
| 4 | Emblem-Rear "FUJI ELECTRIC" | 9361328006 | 9361328006 | 9361328006 | |
| 5 | Cabinet, Painted | 9302936017 | 9302936017 | 9302936017 | |
| 7 | Connector Cover (Cabinet) | 9357970004 | 9357970004 | 9357970004 | |
| 9 | Cabinet Rear Panel | 9303744017 | 9303744017 | 9303744017 | |
| 12 | Base Assy, Painted | 9354493070 | 9354493070 | 9354493070 | |
| 13 | 3-Way Valve | 9364616001 | 9364616001 | 9364616001 | |
| 14 | 2-Way Valve | 9364615004 | 9364615004 | 9364615004 | |
| 15 | Dryer | — | 313523082505 | 313523082505 | |
| 16 | Condenser Assy | 9365671009 | 9365670002 | 9365670002 | |
| 18 | Suction Pipe | 9364832005 | 9354055001 | 9364827001 | |
| 19 | Capillary Tube | 9364835006 | — | — | |
| 20 | Discharge Pipe Assy | 9364830001 | 9354056008 | 9364826004 | |
| 32-2 | Control Box Metal-A | 9355843003 | 9355843003 | 9355843003 | |
| 34 | Capacitor (Fan Motor) | 9700468080 | 9700468080 | 9700468080 | |
| 37 | Running Capacitor | 9356386066 | 9356386073 | 9356386066 | |
| 38 | Capacitor Clamp Metal | 313468061808 | 313468061808 | 313468061808 | |
| 39 | Propeller Fan Assy | 9351589011 | 9351589011 | 9351589011 | |
| 41 | Fan Motor Assy-Out | 9600649060 | 9600649060 | 9600649060 | |
| 42 | Bracket (Motor) | 313166243804 | 313166243804 | 313166243804 | |
| 46 | Compressor Assy | 9364723006 | 9357145006 | 9364723006 | |
| 51 | Special Nut M5 (For Comp.) | 9359430018 | 9300301015 | 9359430018 | |
| 55 | Special Nut M8 (For Comp.) | 9355091008 | 9355091008 | 9355091008 | |
| 98 | Fan Ring | 313166296109 | 313166296109 | 313166296109 | |
| 107 | Rubber Seat-A (For Comp.) | 9359425014 | 9351049010 | 9359425014 | |
| 109 | Terminal Cover (For Comp.) | 9364724003 | 9351048013 | 9364724003 | |
| 138 | Separate Wall Assy | 9303729014 | 9303729014 | 9303729014 | |
| 213 | Noise Insulation-B | 313584258005 | 313584258005 | 313584258005 | |
| 259 | Muffler | — | 313505083900 | 313505083900 | |
| 272 | Strainer | 9357309002 | 9301340006 | 9301340006 | |
| 329 | Coupling Pipe Assy | — | 9352375002 | 9352375002 | |
| 343 | Solenoid Coil | — | 9359616047 | 9359616047 | |
| 344 | 4-Way Valve | — | 313943302804 | 313943302804 | |
| 373 | Grip | 313166178700 | 313166178700 | 313166178700 | |
| 412 | Terminal Gasket (For Comp.) | 9364725000 | 9351051013 | 9364725000 | |
| 420 | Capillary Assy | — | 9354058002 | 9364828008 | |
| 423 | Noise Insulation-F | 9450944019 | 9450944019 | 9450944019 | |
| 527 | Protection Net | 9355444002 | 9355444002 | 9355444002 | |
| 582 | Discharge Pipe-F | 9301425017 | — | — | |
| 734 | Cabinet Top Plate | 9302937014 | 9302937014 | 9302937014 | |
| 744 | Clamp (Condenser) | 313166374106 | 313166374106 | 313166374106 | |
| 745 | Motor Support | 313166036308 | 313166036308 | 313166036308 | |
| 764 | Drain Cap | — | 313166024302 | 313166024302 | |
| 765 | Drain Pipe L-type | — | 9301102000 | 9301102000 | |
| 766 | Drain Pipe Packing | — | 9301143003 | 9301143003 | |
| 815 | Terminal-3P | 9355901024 | — | — | |
| 815 | Terminal-4P | — | 9358660041 | 9358660041 | |
| 982-1 | Cord Clamp | 9356857009 | 9356857009 | 9356857009 | |
| 982-2 | Cord Clamp-B | 9356858006 | 9356858006 | 9356858006 | |
| 987 | Insulation Sheet | 9358372005 | 9358372005 | 9358372005 | |

[INDOOR UNIT]

CONTROLLER PCB ASSEMBLY (Ref. No.236)

() : Reverse cycle model only

| Ref. No. | Description | Part No. | Ord. Q'ty | Ref. No. | Description | Part No. | Ord. Q'ty |
|--|---------------------------------------|------------|-----------|-----------------------|------------------------------------|------------|-----------|
| IC1 | IC μ PD 78014HCW-013 | 9702426026 | | C5 | Cap, Elec. 450V 100 μ F | 0300256060 | |
| IC2 | IC NJM 7812FA | 0100462104 | | (C5) | Cap, Elec. 450V 100 μ F | 0300312797 | |
| IC3 | IC NJM 7805FA | 0100462081 | | C6 | Cap, Plastic 4700pF | 0300269091 | |
| IC4-6 | IC μ PA 2003GR | 0100028041 | | C7 | Cap, Plastic 50V 0.047 μ F | 0300169339 | |
| IC7 | IC NM 93C46M8-X | 0101622026 | | C8 | Cap, Elec. 25V 100 μ F | 0301197560 | |
| IC8 | IC PST 600CMT | 0101461120 | | C9 | Cap, Elec. 25V 1000 μ F | 0301196495 | |
| IC9 | IC TLP 621(D4)-GB | 0000117074 | | C10,11,33,36,41 | Cap, Elec. 25V 10 μ F | 0301192312 | |
| Q1 | Xstr 2SC4236 | 0000164047 | | C12 | Cap, Elec. 25V 1000 μ F | 0301158264 | |
| Q2 | Xstr 2SC1740S | 0000699235 | | C13,15,34,37,39,44,45 | Cap, Ceramic 50V 0.1 μ F | 0300311752 | |
| Q3,4 | Xstr DTC124EKA | 0000936033 | | C14 | Cap, Elec. 25V 100 μ F | 0301192350 | |
| D1 | Diode D3SB60 | 0000689045 | | C16-31,38,40,42,46,49 | Cap, Ceramic 50V 0.01 μ F | 0300311738 | |
| D2,4,7 | Diode D1FL20U | 0000746519 | | C32,35,43,50-53 | Cap, Ceramic 50V 1000pF | 0300308509 | |
| D3 | Diode MTZJ5.1B | 0000852166 | | C54 | Cap, Ceramic 50V 0.01 μ F | 0300727539 | |
| D5 | Diode 1SR139-600 | 0000353120 | | K1,3,4 (6,7) | Relay JQ1-12V | 9701316014 | |
| D6 | Diode D2FL20U | 0000906500 | | (K5) | Relay JQ1P-12V | 9701794010 | |
| D8 | Diode D1F60 | 0000208024 | | SSR1 | Relay G3M-202P-UTU | 9701829019 | |
| D9 | Diode DA226U | 0000625036 | | (SW1) | Switch Slide DSS803 | 9701392018 | |
| D12 | Diode DAN202K | 0000684019 | | T1 | Switching Transformer ETS28AS118AH | 9702727017 | |
| R1 | Res. 5W 3.3 Ω \pm 5% | 0200244372 | | (T1) | Switching Transformer MPR-1 | 9701976010 | |
| (R1) | Res. Cement 3.3 Ω \pm 5% | 0200153148 | | X1 | Ceramic Resonator EF0EC8384T4 | 9701261017 | |
| R2 | Res. Metal 2W 1.5 Ω \pm 5% | 0201107119 | | BZ1 | Buzzer PKM13EPY-4000-TF01 | 9701298013 | |
| R3 | Res. 1/10W 100 Ω \pm 5% | 0200212500 | | CR1 (2,3) | Network RPEL-121204 -C | 9701125012 | |
| R4 | Res. Carbon 1W 220k Ω \pm 5% | 0200111353 | | CN1 | Plug, PCB B2P3-VH-B-C | 0500011773 | |
| R5 | Res. Metal 2W 47k Ω \pm 5% | 0201107652 | | (CN2) | Plug, PCB B3P5-VH-B-R | 0500011803 | |
| R6 | Res. 1/2W 100 Ω \pm 5% | 0200731506 | | CN4 | Plug, PCB B2P3-VH-B-Y | 0500011827 | |
| R7 | Res. 1/4W 330 Ω \pm 5% | 0200708621 | | CN5 | Plug, PCB 5430C063 | 0500957026 | |
| R8,10,13 15-17, 21-24,29-32,37, 39,48,50,52,53,55, 59,68 | Res. 1/4W 330 Ω \pm 5% | 0200213019 | | CN6 | Plug, PCB B2P3-VH-B-E | 0500011759 | |
| R9,47 | Res. 1/10W 390 Ω \pm 5% | 0200212647 | | CN7 | Plug, PCB B2B-XAKK-1-A | 0501045227 | |
| R11 | Res. Metal 1W 56k Ω \pm 5% | 0201106662 | | CN8 | Plug, PCB B2B-XASK-1-A | 0501045012 | |
| R12,18-20,25-28, 33-36,38,42,44,46, 49,51,56-58,67 | Res. 1/10W 1k Ω \pm 5% | 0200212746 | | CN9 | Plug, PCB B5P-SHF-1AA | 0500006069 | |
| R40,41 | Res. 1/10W 4.7k Ω \pm 5% | 0200212906 | | CN10 | Plug, PCB B5B-XASK-1-A | 0501045043 | |
| R43 | Res. 1/10W 10k Ω \pm 5% | 0200279497 | | CN11 | Plug, PCB B5B-XARK-1-A | 0501045517 | |
| R45 | Res. 1/10W 49.9k Ω \pm 5% | 0200279824 | | CN12 | Plug, PCB B3B-XASK-1-A | 0501045029 | |
| R54 | Res. 1/10W 47 Ω \pm 5% | 0200212425 | | CN13 | Plug, PCB B8B-XASK-1-A | 0501045074 | |
| CJ1,2 | Res. 0 Ω | 0200212012 | | CN14 | Plug, PCB B4B-XH-AM | 0500005314 | |
| | | | | CN15 | Plug, PCB B3B-XARK-1-A | 0501045319 | |
| | | | | JM2-JM6 | Wire 0.6 dia. L=10mm | 9700025016 | |




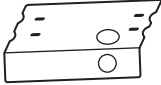
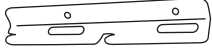

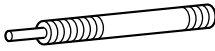


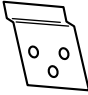





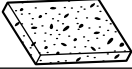
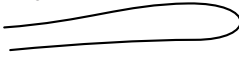
FILTER PCB ASSEMBLY (Ref. No.875)

| Ref. No. | Description | Part No. | Ord. Q'ty | Ref. No. | Description | Part No. | Ord. Q'ty |
|-----------|----------------------------|------------|-----------|----------|---------------------------|------------|-----------|
| C101,102 | Cap, Plastic 0.22 μ F | 0300304099 | | F101 | Fuse BET 3.15A-250V | 0600222512 | |
| C105,106 | Cap, Plastic 0.022 μ F | 0301052098 | | FH1,2 | Fuse Holder PFC5000-0502 | 0500158072 | |
| SA101 | Arrester DSA-362MA-05 | 0600168032 | | E101 | Wire w/Terminal GRN L=120 | 9702066062 | |
| VA101,102 | Varistor TNR12G471K | 0000038010 | | W101 | Wire w/Terminal BLK L=80 | 9702066017 | |
| TM101,102 | Plug Contact 86028 | 0500536016 | | W102 | Wire w/Terminal WHT L=100 | 9702066024 | |
| LF101 | EMI Filter ELF17N015A | 0400197119 | | W103,104 | Wire #18 2P | 9702067014 | |

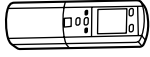



INDICATOR PCB ASSEMBLY (Ref. No.385)

| Ref. No. | Description | Part No. | Ord. Q'ty | Ref. No. | Description | Part No. | Ord. Q'ty |
|----------|---------------------------|------------|-----------|----------|--|------------|-----------|
| D201 | Diode SLR-325VC RED | 0000813259 | | SW201 | Push Switch EVQ-PAG-04K | 9700450016 | |
| D202 | Diode SLR-325MC GRN | 0000813242 | | JM201 | Wire 0.6 dia. L=10mm | 9700025016 | |
| D203,204 | Diode SLR-325DC ORG | 0000813235 | | PHA201 | SBX 1810-22 | 0101525129 | |
| C201 | Cap. Ceramic 0.1 μ F | 0300988251 | | | Lamp Holder 94N40 | 9358548004 | |
| C202 | Cap. Elec. 25V 10 μ F | 0300004258 | | R201-204 | Res. Carbon 1/4W 330 Ω \pm 5% | 0201038659 | |


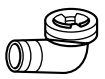

INDOOR UNIT ACCESSORIES

| Name and Shape | Application | Part No. | |
|---|--|---|--------------|
| Cosmetic Panel-L  | | 9358536018 | |
| Cosmetic Panel-R  | | 9358535011 | |
| Tapping screw (ϕ 4 x 10)  | | 301171164104 | |
| Installation template  | For positioning the indoor unit For under ceiling type. | 9359107002 | |
| Hanger bracket-L  | For suspending the indoor unit from ceiling | 9358596005 | |
| Hanger bracket-R  | | 9358595008 | |
| Anchor bolt (M12)  | | } 313806339400 | |
| Special nut  | | | |
| Spring washer  | | | 301821112213 |
| Wall bracket  | | For suspending the indoor unit on the wall. | 9358597002 |
| Tapping screw (ϕ 4 x 20)  | | For fixing the wall bracket. | 301141164200 |
| Coupler heat insulator (large)  | For indoor side pipe joint (Large pipe) | 9350716012 | |
| Nylon fastener (large)  | For fixing the coupler heat insulator | 313152375801 | |
| Nylon fastener (small)  | For fixing the drain hose | 312300787605 | |
| Drain hose  | | 9359242000 | |
| Insulation (Drain hose)  | Adhesive type 70 x 230 | 9359225003 | |
| VT wire  | For fixing the drain hose L 280mm | 313806350303 | |

REMOTE CONTROL UNIT

| Name and Shape | Application | RYT-14 | RYT-14R |
|---|---|---------------------|---------------------|
| Remote control unit  | Use for air conditioner operation | 9359913061 (AR-DL6) | 9359913054 (AR-DL5) |
| Battery (penlight)  | For remote control unit | 0600185534 | 0600185534 |
| Remote control unit holder  | For mounting the remote control unit | 9359955016 | 9359955016 |
| Tapping screws (φ 3 x 12)  | For remote control unit holder installation | 301141533125 | 301141533125 |

OUTDOOR UNIT ACCESSORIES

| Name and Shape | Application | ROY-14AA | ROY-14R ROY-14RA |
|---|--|--------------|---------------------|
| Hexagon wrench  | For air purge | 301980005800 | 301980005800 |
| Drain pipe  | For outdoor unit drain piping work (May not be supplied, depending on the model) | — | 9303029015 |
| Drain cap  | | — | 313166024302 |



MANUFACTURER :

Fuji Denki Sosetsu Co., Ltd.

Tokyo, Japan