

FUJ1
ELECTRIC

ROOM AIR CONDITIONER
RX-18AB
RX-18P
RX-24AA

SERVICE MANUAL

CONTENTS

SPECIFICATIONS	1
CIRCUIT DIAGRAM	2
DISASSEMBLY ILLUSTRATION	3
PARTS LIST	7

S P E C I F I C A T I O N S

Models	RX-18AB, RX-18P	RX-24AA
Cooling capacity (kW)	5.2 / 5.1	6.80 / 6.65

ELECTRICAL DATA

Power source (V)	240 / 220	
Frequency (Hz)	50	
Running current (A)	9.7 / 9.9	13.7 / 13.5
Starting current (A)	50	61
Input watts (kW)	2.21 / 2.14	2.90 / 2.80
EER (kW/kW)	2.35 / 2.38	2.34 / 2.38
Fuse (A)	20	30

COMPRESSOR

Type	Hermetic type, Permanent split condenser, 2 Pole, Single phase, Induction motor	
Code	AW5524EK-SL3, AX TYPE 3 Leg 240 / 220V - 50Hz	AW5532EK-SL3F 3 Leg 240 / 220V - 50Hz
Refrigerant R-22 (g)	980	1,230

FAN MOTOR

Code	MFC-186TT 240 / 220V - 50Hz	MFC-246TBT 240 / 220V - 50Hz
Quiet (r.p.m.)	1,035 / 965	1,140 / 1,050
High power (r.p.m.)	780 / 700	890 / 770

DIMENSIONS

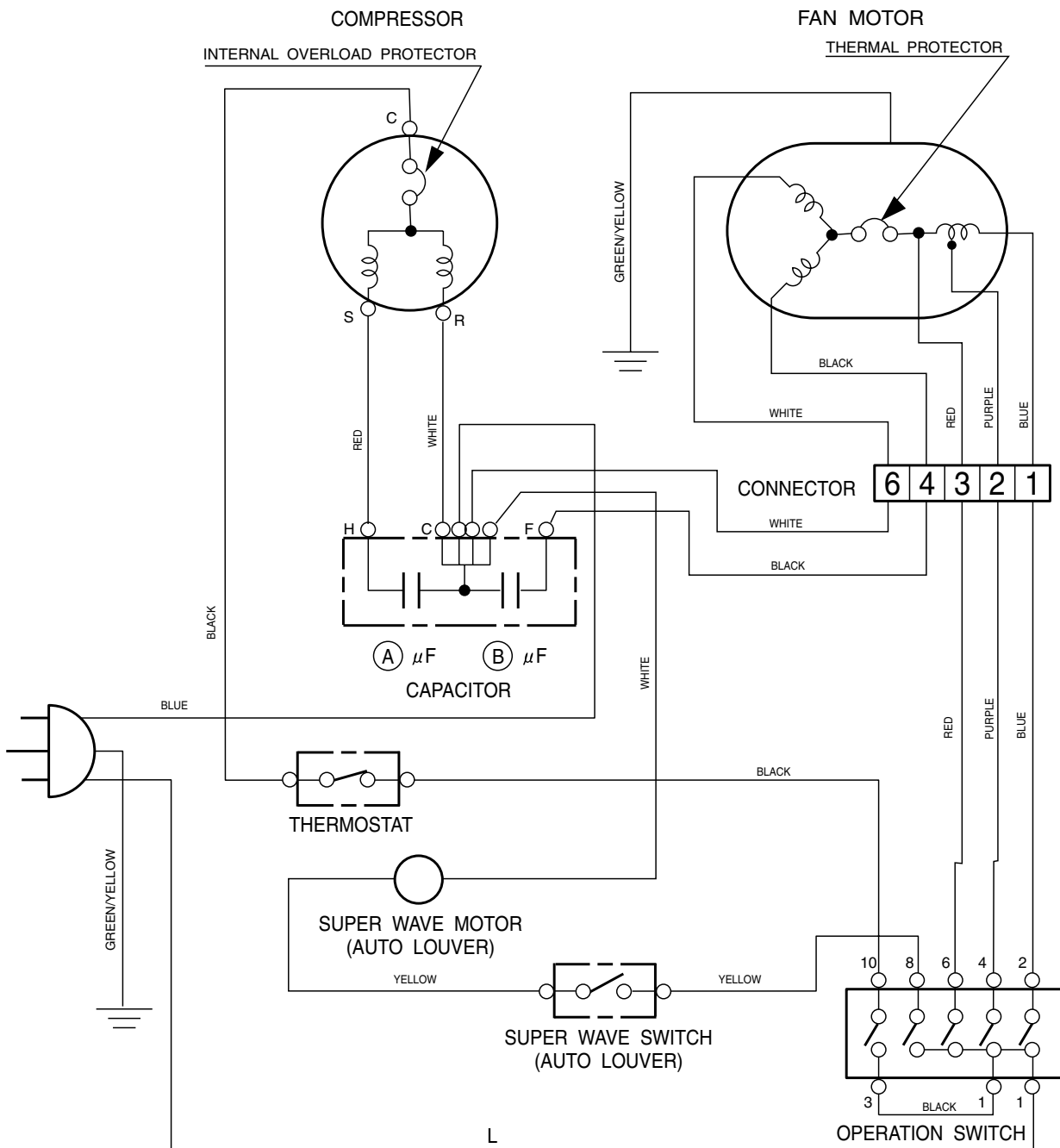
H x W x D (mm)	455 x 670 x 705	
----------------	-----------------	--

WEIGHTS

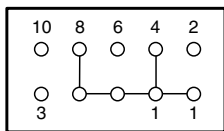
Gross / Net (kg)	78 / 68	84 / 74
------------------	---------	---------

Moisture removal (ℓ/hr)	2.7	2.6
-------------------------	-----	-----

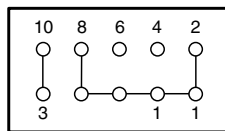
CIRCUIT DIAGRAM



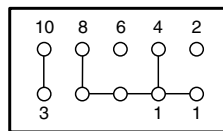
OPERATION SWITCH INTERNAL CONNECTIONS



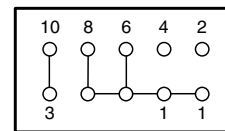
FAN



SUPER QUIET (LOW)



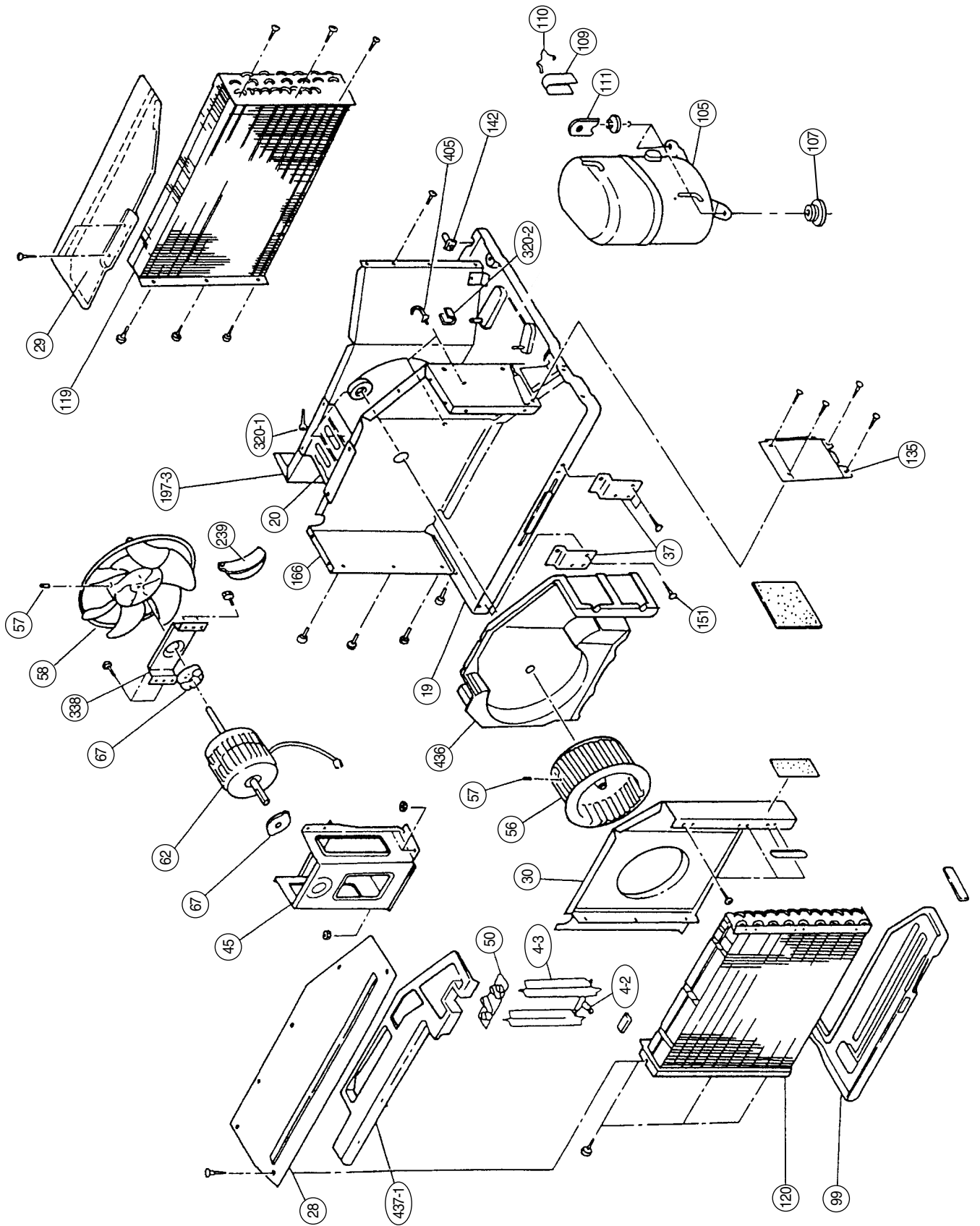
NORMAL (MED)

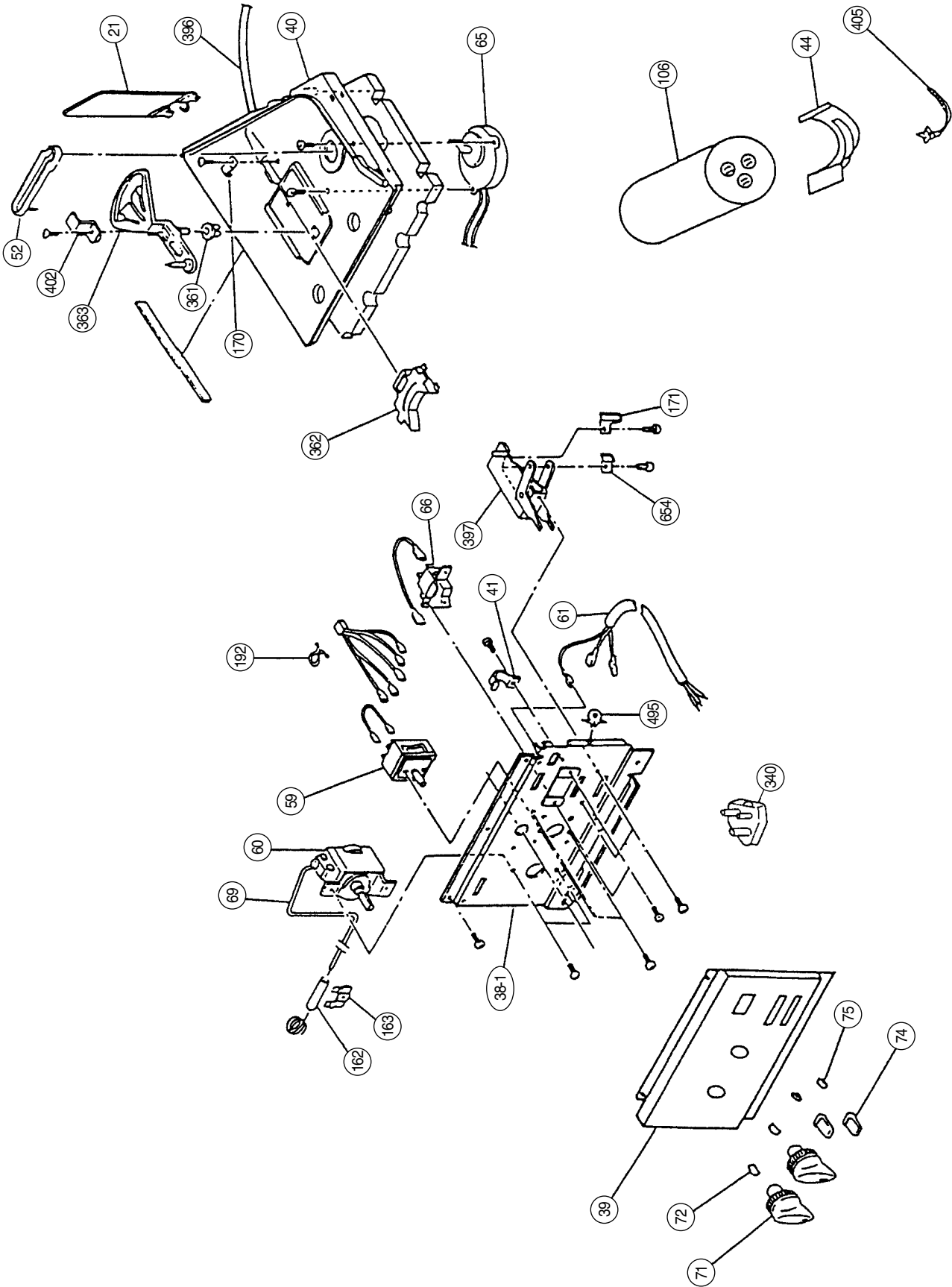


HIGH POWER (HIGH)

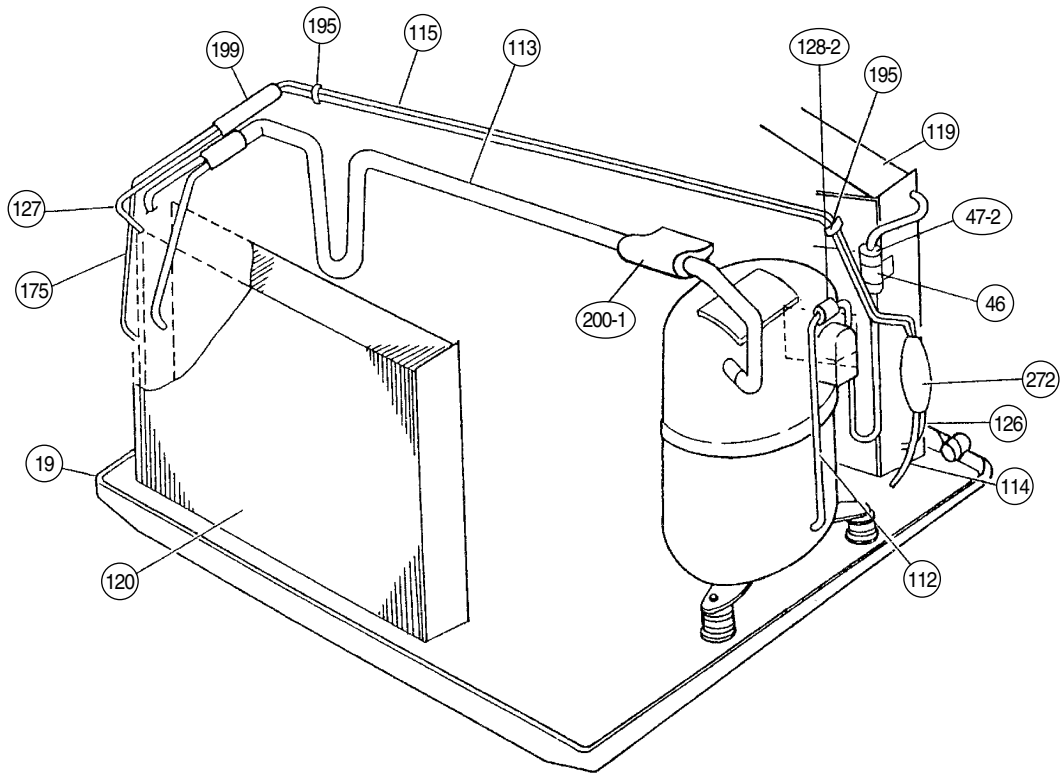
Model	(A)	(B)
RX-18AB RX-18P	46	6
RX-24AA	45	8

DISASSEMBLY ILLUSTRATION

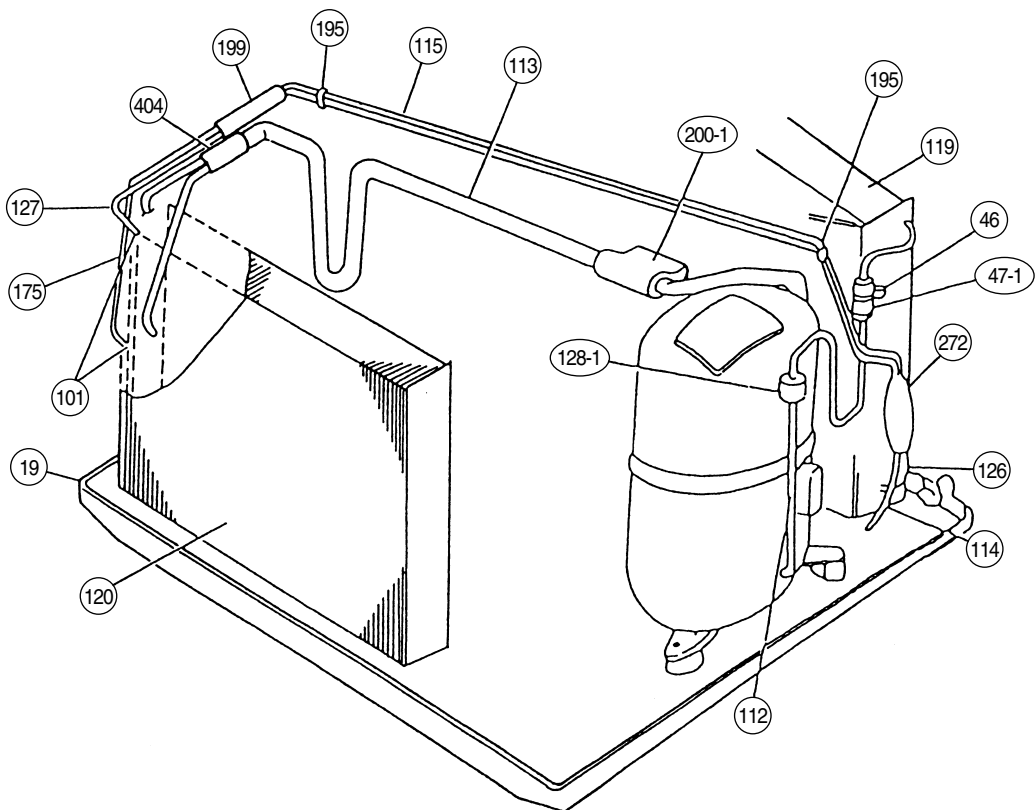


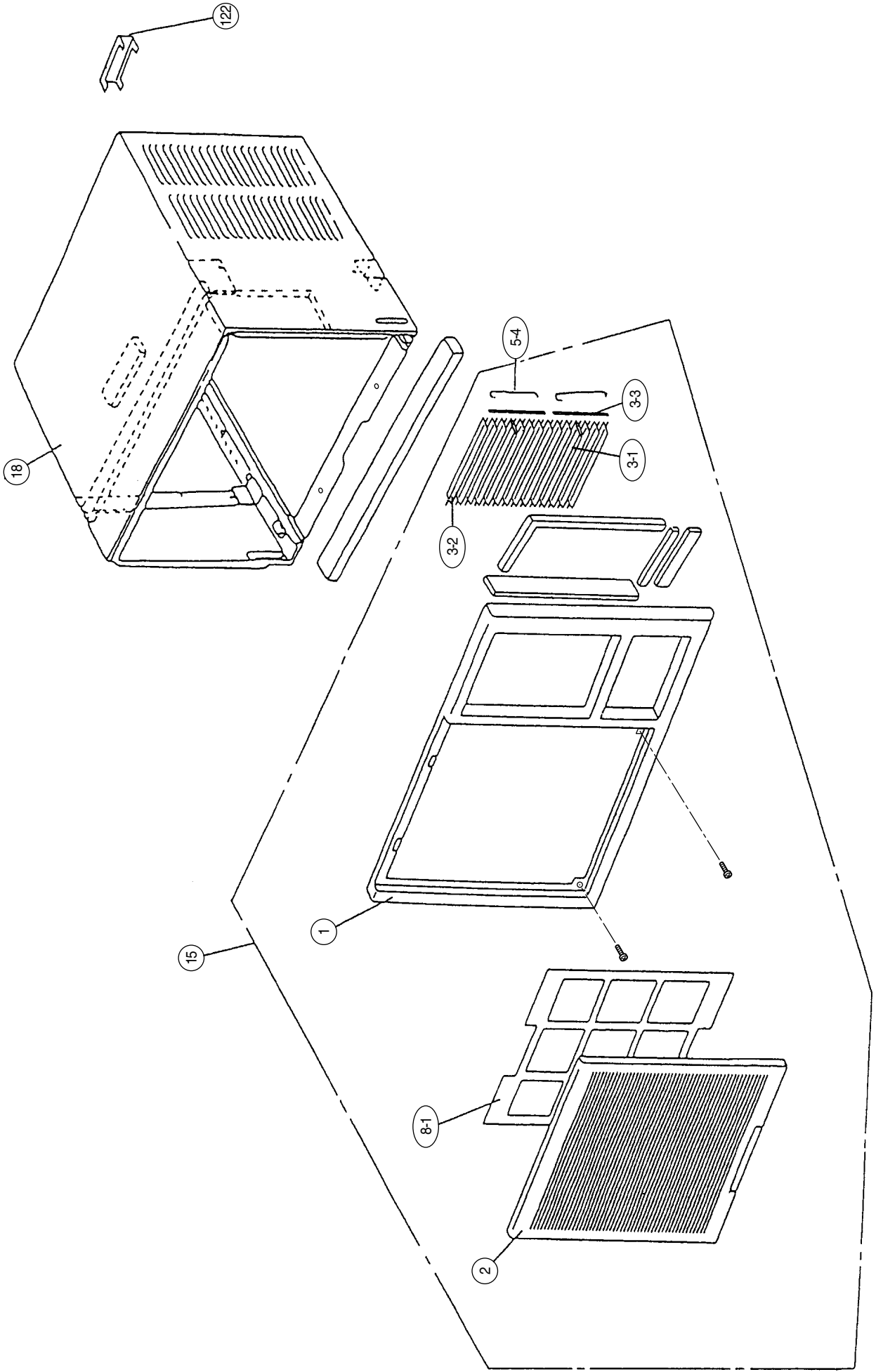


Models : RX-18AB
RX-18P



Model : RX-24AA





PARTS LIST

When you order parts, please make a photocopy of this page and fill the number of the parts in the "Order" column.

FRONT PANEL PARTS

Ref. No.	Description	Part No.	Ord. Q'ty	Ref. No.	Description	Part No.	Ord. Q'ty
1	Front Panel	9356749052		4-2	Louver Link-E	9355732000	
2	Removal Panel	9356750010		4-3	Louver-B	9355731003	
3-1	Louver-A	9355134026		5-4	Spring-C (Louver)	313061016306	
3-2	Louver-C	9355135023		8-1	Filter Assy	9366834014	
3-3	Louver-D	313265009603		15	Front Panel Assy	9357175119	

CABINET CHASSIS PARTS

Ref. No.	Description	Part No.		Ord. Q'ty	Ref. No.	Description	Part No.		Ord. Q'ty
		RX-18AB RX-18P	RX-24AA				RX-18AB RX-18P	RX-24AA	
18	Cabinet Assy	9389050026	9389050026		112	Discharge Pipe	313583082105	9351594015	
19	Base Assy	9389051061	9389051061		113	Suction Pipe Assy	9360659002	9354945005	
20	Supporter-C	313286126451	313286126451		114	Air Duct Pipe-E	313252257206	313252257206	
21	Exhaust Air Damper	313094121201	313094121201		115	Capillary Tube	9352061004	313065082453	
28	Blower Cover	313094041000	313094041000		119	Condenser Assy	313347083100	313346083103	
29	Supporter-B	313179042852	313179042852		120	Evaporator Assy	313583084100	313346084100	
30	Blower Mouth Assy	313094044308	313094044308		122	Emblem-B (Rear)	9350477005	9350477005	
37	E. Fixture	313094120108	313094120108		126	Condensing Pipe-B	9350343010	9350343010	
38-1	Switch Box-A	313094054208	313094054208		127	Inlet Pipe (Evaporator)-B	313583019206	313568019204	
39	Switch Panel	9357489001	9357489001		128-1	Rubber (Discharge Pipe)	—	313155086308	
40	Switch Box Cover	9355729000	9355729000		128-2	Rubber (Discharge Pipe)	313202086308	—	
41	Wire Clamp Metal	313094065802	313094065802		135	Switch Box Cover-B	313567220504	313567220504	
44	Capacitor Band (Running Capacitor)	313179061753	313179061753		142	Drain Pipe	9351746018	9351746018	
45	Motor Fixing Table	313094249901	313094249901		151	Front Panel Screw	313221252806	313221252806	
46	Pipe Absorber Clamp Metal	313394229806	313394229806		162	Thermostat Holder	313620262808	313620262808	
47-1	Discharge Pipe Rubber (Pipe Absorber)	—	313194159807		163	Thermo. Spring-A	313369262701	313369262701	
47-2	Rubber (Discharge Pipe)	313185159802	—		166	Separate Wall	313209033255	313209033255	
50	Louver Retainer	313263008655	313263008655		170	Clamp-B (Wire Lead-in Pipe)	313094119306	313094119306	
52	Louver Arm	313822122108	313822122108		171	Clamp-C (Wire Lead-in Pipe)	313094264801	313094264801	
56	Sirocco Fan Assy	313094047602	313094047602		175	Inlet Pipe (Evaporator)-C	313583019303	313568019301	
57	Hex. Socket Screw	313616213202	313616213202		192	Clamp No. 062	313361271402	313361271402	
58	Propeller Fan Assy	313094048704	313094048704		195	Clamp SKB-100	313361275805	313361275805	
59	Operation Switch	313851060108	313851060108		197-3	Wind Guide Board-A	313286047251	313286047251	
60	Thermostat	9354390003	9354390003		199	BR Sheet	313347108201	313347108201	
61	Power Cord Assy	9361053014	9361053021		200-1	BR Sheet-B	9351990060	9351990015	
62	Fan Motor Assy	9600659014	9600659045		239	Water Seal Plate	313611036601	313611036601	
65	Super Wave Motor	9370014013	9370014013		272	Strainer	9350203024	9350203017	
66	Super Wave Switch	9354272002	9354272002		320-1	Wire Clamp Metal	313483219905	313483219905	
67	Rubber (Vibration-proof)	313659068604	313659068604		320-2	Wire Clamp Metal-B	313874219907	313874219907	
69	Protection Tube (Thermostat)	313337060303	313337060303		338	Motor Fixture	313006297103	313006297103	
71	Thermostat Knob	313579060806	313579060806		340	Plug Assy (Power Cord)	9354426016	9354426016	
72	Knob Spring (Thermostat Knob)	313008061010	313008061010		361	Bushing	313822302108	313822302108	
74	Operation Knob	313185059205	313185059205		362	Guide Plate	313094301807	313094301807	
75	Knob Spring (Operation Knob)	313061128802	313061128802		363	Moving Plate (Switch Box Cover)	9355730006	9355730006	
99	Drain Pan	313094046118	313094046118		396	Wire Lead-in Pipe-C	313816330605	313816330605	
101	Inlet Pipe (Evaporator)-A	—	313354019106		397	Select Lever Assy	313094336001	313094336001	
105	Compressor Assy	9362712002	9366929000		402	Arm Holder	313818124307	313818124307	
106	Running Capacitor	9703127014	9703127038		404	Coupling Pipe-F	—	313065122752	
107	Rubber Seat-A (For. Comp.)	313093081402	313093081402		405	Clamp No. 1763	313816345304	313816345304	
109	Terminal Cover (For. Comp.)	9362715003	9362715003		436	Spiral Plate-A	313183199257	313183199257	
110	Look Wire (Term. Cover)	9362716000	9362716000		437-1	Spiral Plate Cover	9356185003	9356185003	
111	Terminal Packing (For. Comp.)	9362717007	9362717007		495	Clamp No. 1116	313567400000	313567400000	
					654	Clamp-A (Wire Lead-in Pipe)	313061103204	313061103204	



MANUFACTURER :

Fuji Denki Sosetsu Co., Ltd.

Tokyo, Japan