

FUJI
ELECTRIC

ROOM AIR CONDITIONER

RK SERIES

SERVICE
MANUAL

Models : RK-7CA
RK-9CA
RK-9HA

C O N T E N T S

SPECIFICATIONS	1
CIRCUIT DIAGRAM	2
MICROCOMPUTER CONTROL CIRCUIT	5
PRINTED CIRCUIT BOARD LAYOUTS	6
DISASSEMBLY ILLUSTRATION	7
PARTS LIST	12

S P E C I F I C A T I O N S

MODEL		RK-7CA	RK-9CA	RK-9HA
COOLING CAPACITY	(KW)	2.00 - 2.05	2.50 - 2.55	2.50
HEATING CAPACITY	(KW)	—	—	2.80
HEATING METHOD		—	—	Reverse cycle

ELECTRICAL DATA

POWER SOURCE	(V)	220 - 240		240	
FREQUENCY	(Hz)	50			
RUNNING CURRENT	(A)	COOLING	3.6 - 3.4	4.4 - 4.3	4.4
		HEATING	—	—	4.4
INPUT WATTS	(kW)	COOLING	0.79 - 0.81	0.96 - 1.02	1.00
		HEATING	—	—	0.98
E.E.R.	(kW/kW)	COOLING	2.53 - 2.53	2.60 - 2.50	2.50
		HEATING	—	—	2.86

COMPRESSOR

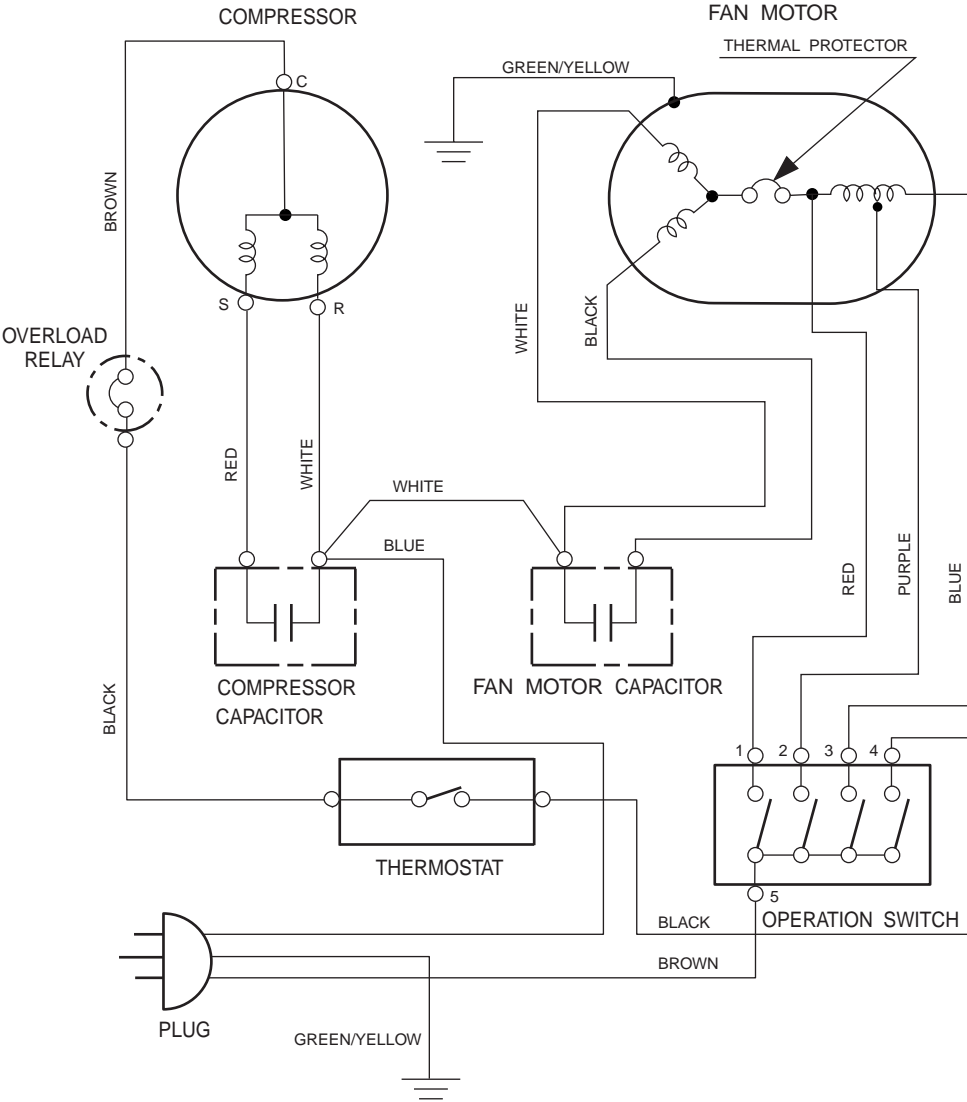
TYPE	Hermetic type, Rotary type			
CODE	QK141PAA 3 Leg	2PS164D2AE02 3 Leg	806-919-45 3 Leg	
REFRIGERANT	R-22 (g)	450	640	680

FAN MOTOR

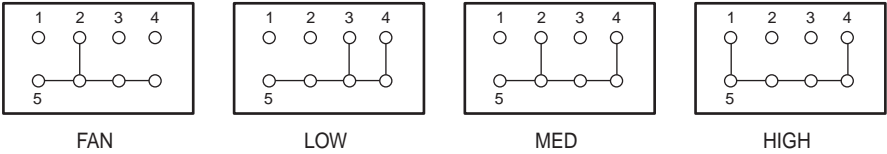
CODE		MFC-07CTAT	MFC-09BTT	MFC-09CTT
HIGH POWER	(r.p.m.)	1,075 (at 240V)	1,100 (at 240V)	1,120 (at 240V)
SUPER QUIET	(r.p.m.)	840 (at 240V)	860 (at 240V)	890 (at 240V)

C I R C U I T D I A G R A M

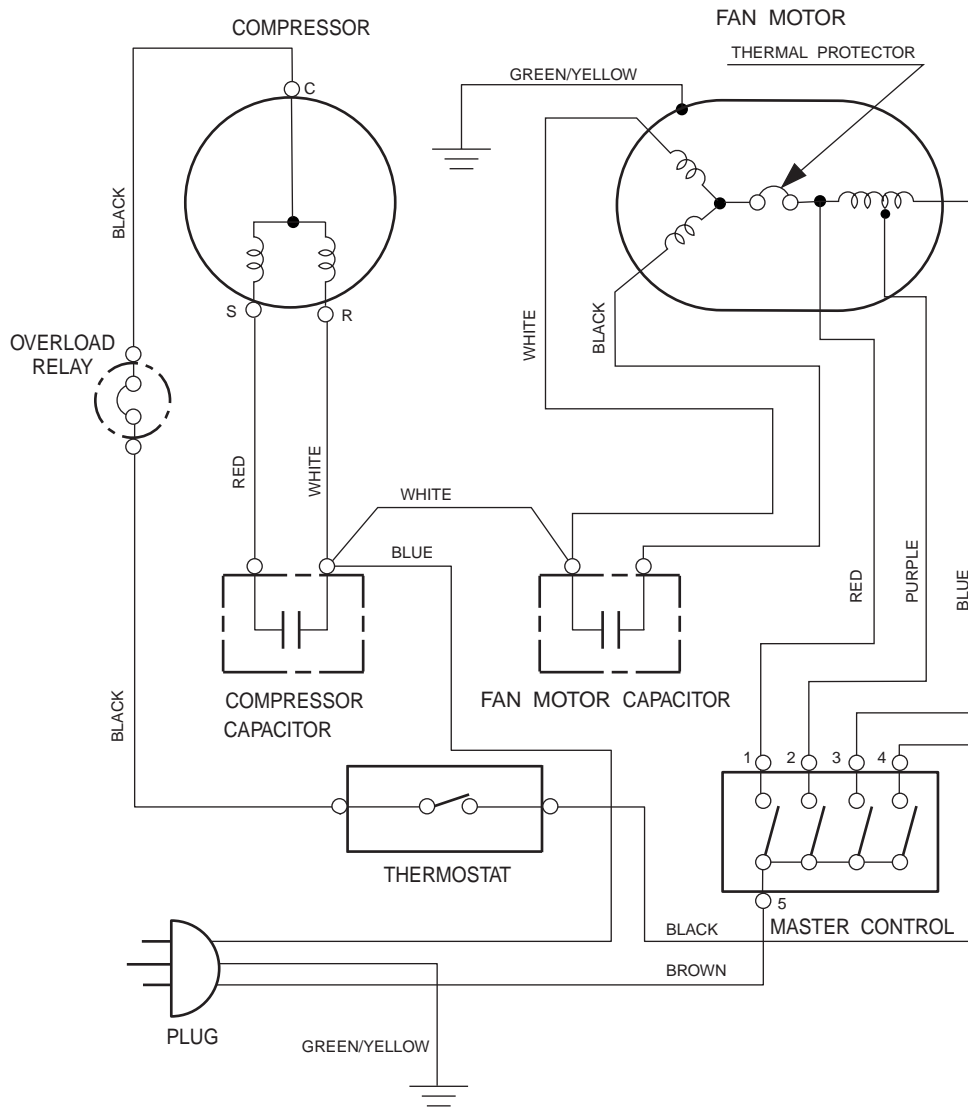
Model : RK-7CA



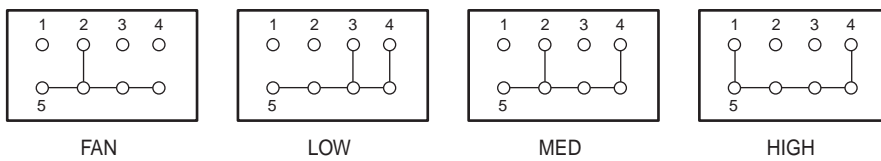
OPERATION SWITCH INTERNAL CONNECTIONS



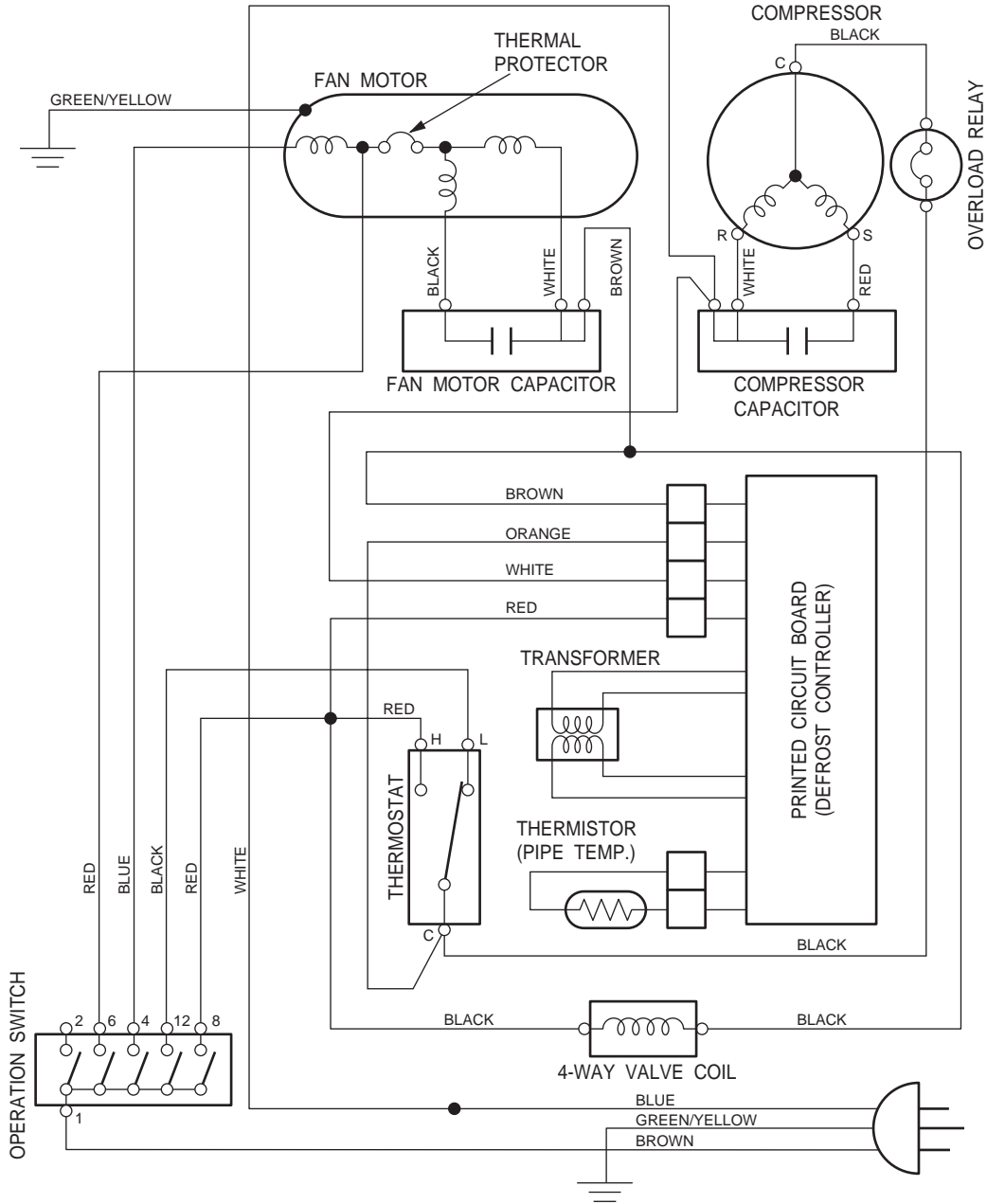
Model : RK-9CA



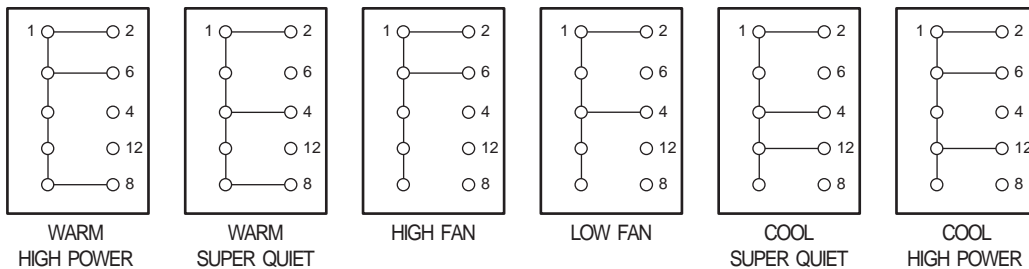
MASTER CONTROL INTERNAL CONNECTIONS



Model : RK-9HA

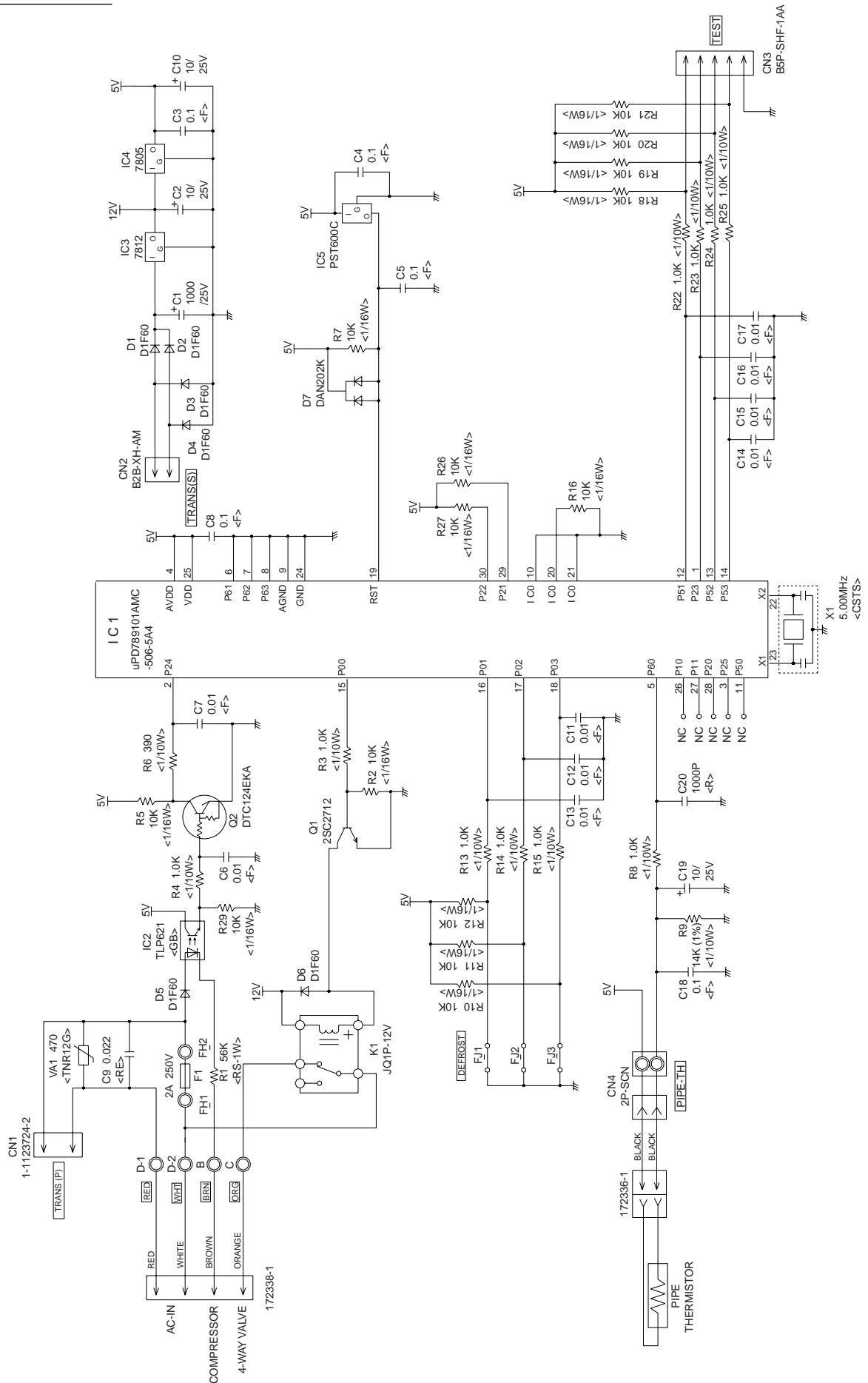


OPERATION SWITCH INTERNAL CONNECTIONS



MICROCOMPUTER CONTROL CIRCUIT

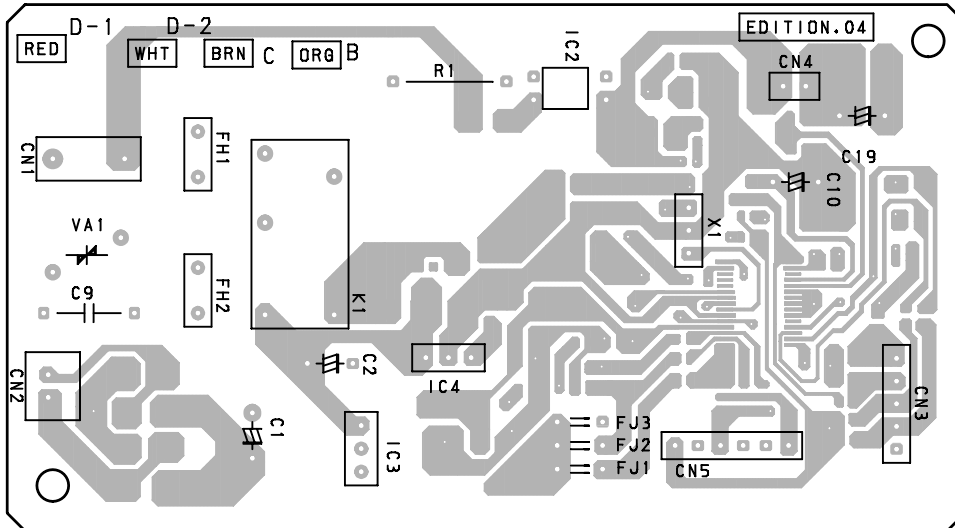
Model : RK-9HA



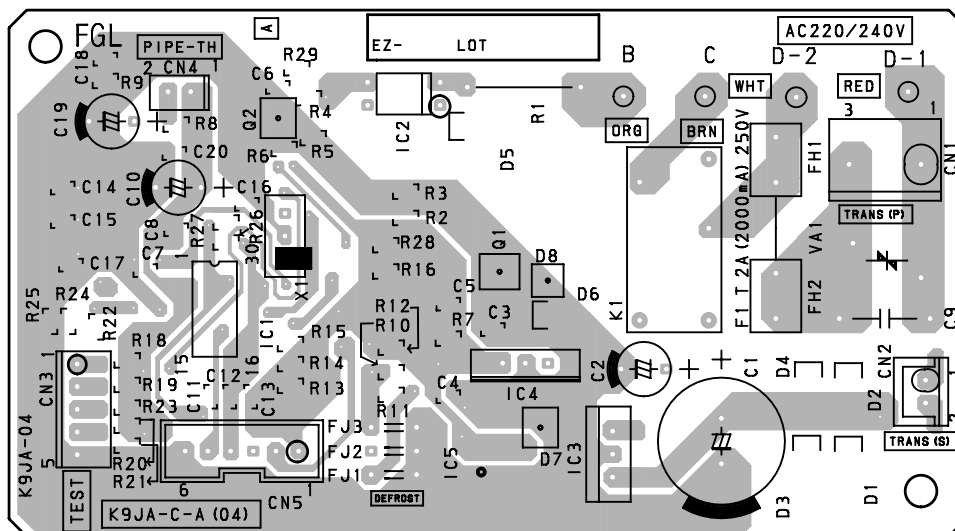
PRINTED CIRCUIT BOARD LAYOUTS

Model : RK-9HA

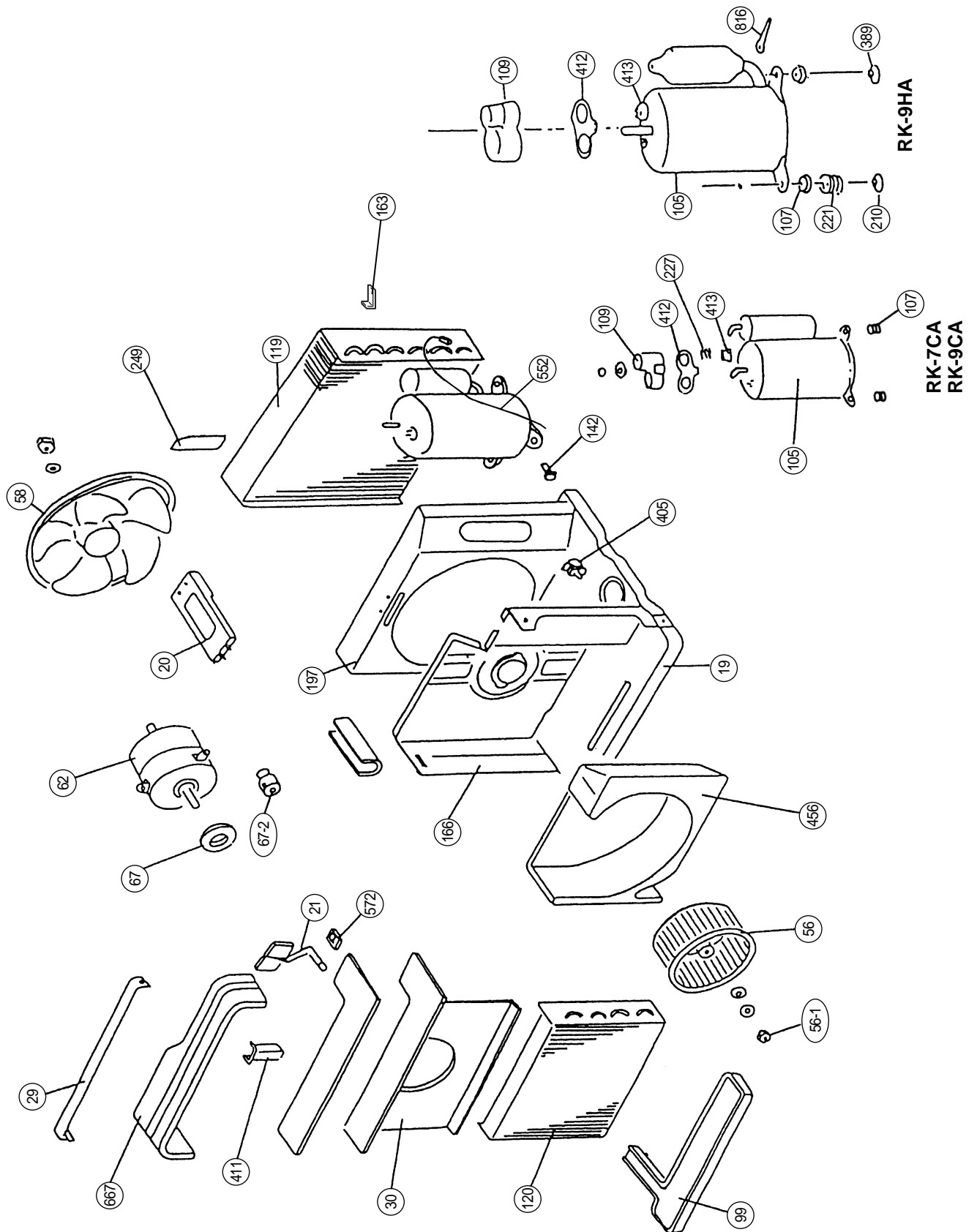
(Viewed from the solder side)



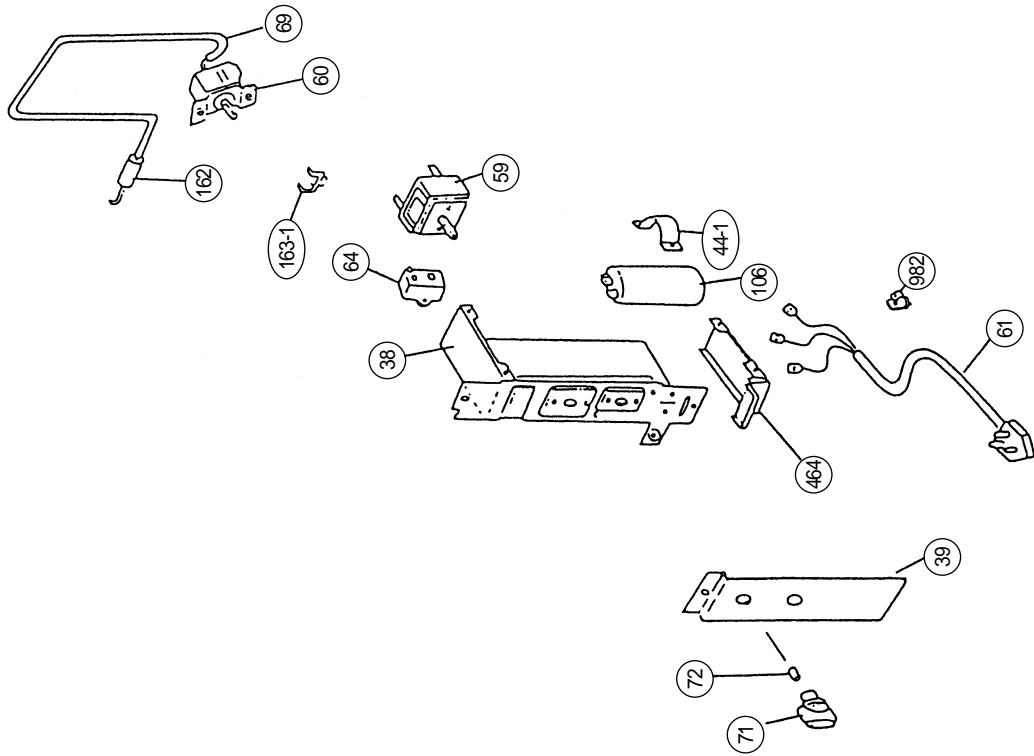
(Viewed from the component side)



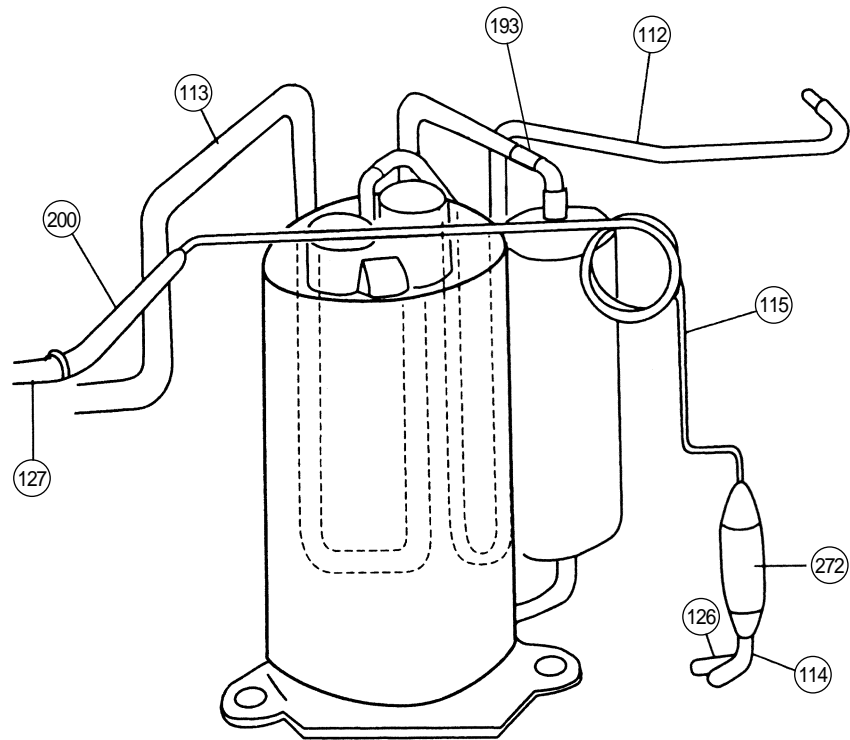
DISASSEMBLY ILLUSTRATION



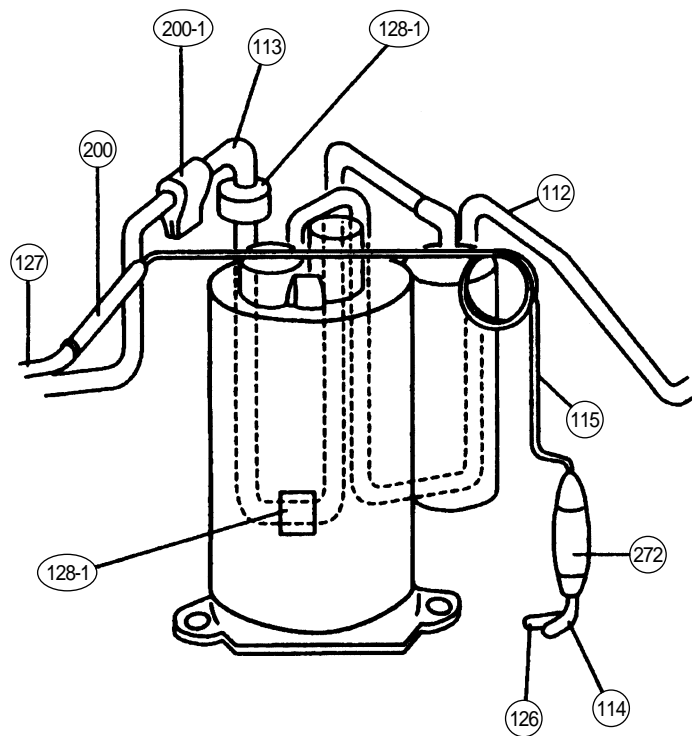
Models : RK-7CA
RK-9CA



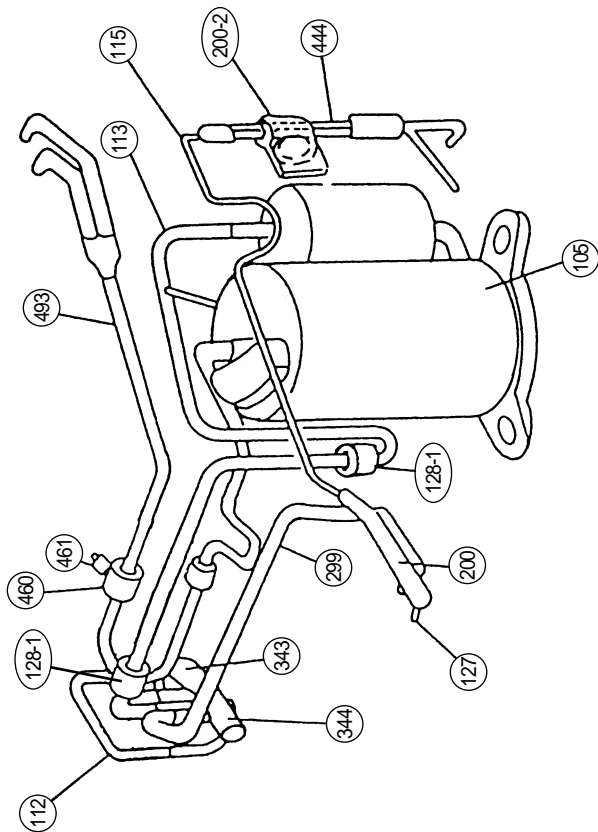
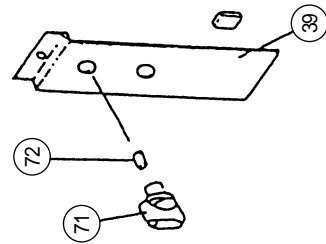
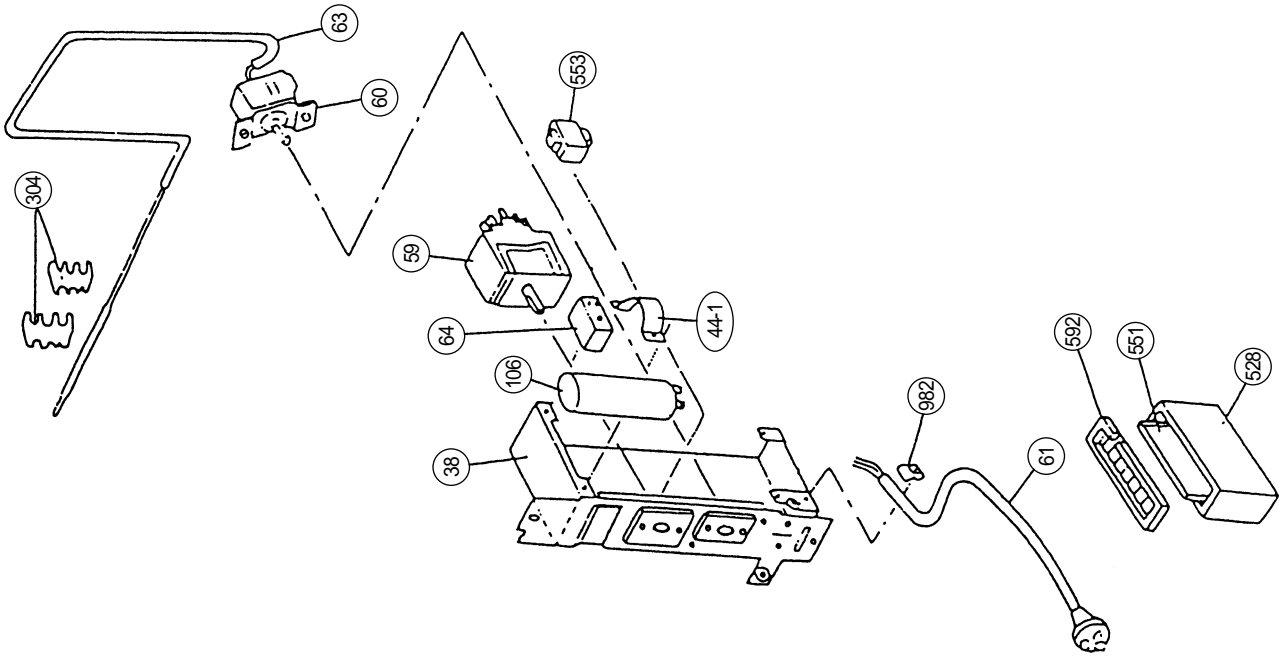
Model : RK-7CA

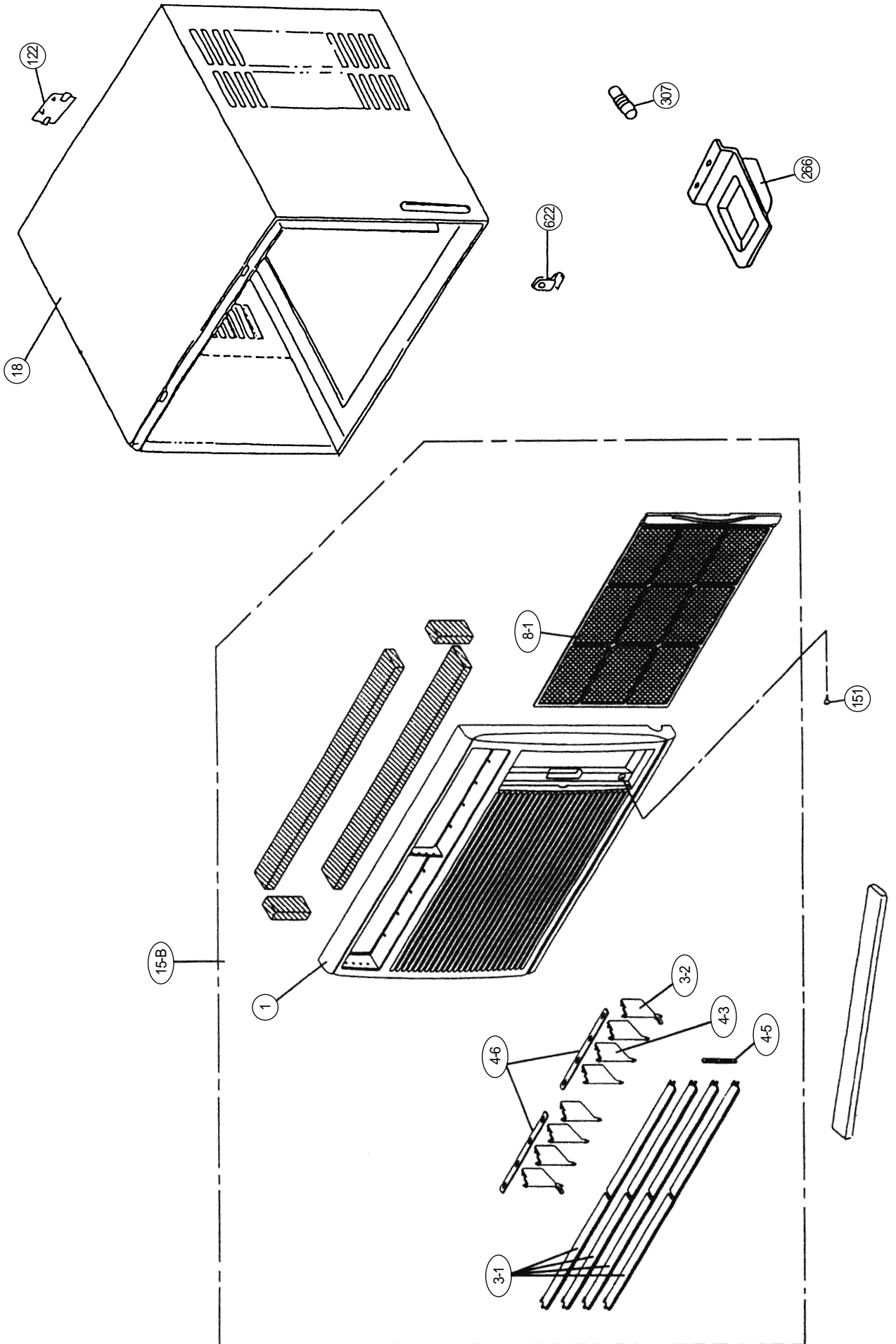


Model : RK-9CA



Model : RK-9HA





PARTS LIST

When you order parts, please make a photocopy of this page and fill the number of the parts in the "Order" column.

FRONT PANEL PARTS

Ref. No.	Description	Part No.	Ord. Q'ty	Ref. No.	Description	Part No.	Ord. Q'ty
1	Front Panel	9361838017		4-5	Connecting Plate-A	9358102015	
3-1	Louver-A	9361840010		4-6	Connecting Plate-B	9358103012	
3-2	Louver-C	9358101018		8-1	Filter	9361842021	
4-3	Louver-B	9358100011		15-B	Front Panel Assy	9362575027	

CABINET CHASSIS PARTS

Ref. No.	Description	Part No.			Ord. Q'ty
		RK-7CA	RK-9CA	RK-9HA	
18	Cabinet Assy	9389020074	9389020067	9389020067	
19	Base Assy	9389017135	9389017029	9389017098	
20	Supporter-C	9358090008	9358091005	9358091005	
21	Exhaust Air Damper	9358094013	9358094020	9358094020	
29	Supporter-B	9358089002	9358089002	9358089002	
30	Blower Mouth	9358083000	9358084007	9358084007	
38	Switch Box-A Assy	313106242808	313107242805	9358335017	
39	Switch Panel	9358134092	9358134092	9358134115	
44-1	Capacitor Band (Running Capacitor)	313306061707	313106061706	313106061706	
56	Sirocco Fan	9358107010	9358107010	9358107010	
56-1	Nut for Sirocco Fan	9358135006	9358135006	9358135006	
58	Propeller Fan	9358106013	9358106013	9358106013	
59	Operation Switch	9370012026	9370012026	9351214029	
60	Thermostat	9900065034	9900065034	9354392007	
61	Power Cord Assy	9358309018	9358309018	9358309025	
62	Fan Motor Assy	9601077015	9601077022	9601077046	
63	Protection Tube-B (Thermostat)	—	—	313152149608	
64	Capacitor (Fan Motor)	9703306105	9703306105	9703306105	
67	Rubber (Vibration-proof)	313106068602	313106068602	313106068602	
67-2	Rubber-B (Vibration-proof)	9358306000	9358306000	9358306000	
69	Protection Tube	313310060308	313310060308	—	
71	Thermostat Knob	9358105016	9358105016	9358105023	
72	Knob Spring (Thermostat Knob)	313008061010	313008061010	313008061010	
99	Drain Pan	9358085004	9358086001	9358086001	
105	Compressor Assy	9367141005	9357492001	9359879008	
106	Running Capacitor	9704436078	9704436061	9704436054	
107	Rubber Seat-A (For Comp.)	9359425014	9370009026	9359880011	
109	Terminal Cover (For Comp.)	9363263008	9357437002	9359881018	
112	Discharge Pipe	9359447009	9358926000	9357203003	
113	Suction Pipe Assy	9362033008	9358927007	9357204000	
114	Air Duct Pipe-E	313252257206	313252257206	—	
115	Capillary Tube	9367234004	9358928004	9359399001	
119	Condenser Assy	9358130018	9358132012	9359397014	
120	Evaporator Assy	9359331018	9358131015	9359395010	
122	Emblem-B (Rear)	9358104040	9358104040	9358104040	
126	Condensing Pipe-B	9358368008	9358923009	—	
127	Inlet Pipe (Evaporator)-B	9358925003	9358929001	313564019206	
128-1	Rubber (Discharge Pipe)	—	313155086308	313155086308	
142	Drain Pipe	9351674007	9351674007	—	
151	Front Panel Screw	313306389909	313306389909	313306389909	

When you order parts, please make a photocopy of this page and fill the number of the parts in the "Order" column.

CABINET CHASSIS PARTS (Continued)

Ref. No.	Description	Part No.			Ord. Q'ty
		RK-7CA	RK-9CA	RK-9HA	
162	Thermostat Holder	313616262803	313616262803	---	
163	Thermostat Spring-A	---	---	313728262708	
163-1	Thermostat Spring-A	313668262714	313668262714	---	
166	Separate Wall Assy	9358114018	9358114018	9358114032	
193	Cushion Rubber	313376149201	---	---	
197	Wind Guide Board	9358092019	9358092026	9358092026	
200	BR Sheet-B	9359189008	9359189008	313806108302	
200-1	BR Sheet-B	---	313563108306	---	
200-2	BR Sheet-B	---	---	9351990022	
210	Rubber Seat-B (For Comp.)	---	---	9359887010	
221	Mounting Spring-A (For Comp.)	---	---	9359883012	
227	Terminal Spring	---	9370009064	---	
249	Dew Proof Plate	313106041504	313106041504	313106041504	
266	Drain Boat	---	---	313681252701	
272	Strainer	9350663026	9350663026	---	
299	Suction Pipe-B	---	---	313565098706	
304	Thermostat Fixture-B	---	---	313349051500	
307	Flexible Tube	313013042915	313013042915	---	
343	Solenoid Coil	---	---	9704061058	
344	4-Way Valve	---	---	9307555015	
389	Rubber Seat-C (For Comp.)	---	---	9359888017	
407	Clip No.1259	313739340109	313739340109	313739340109	
411	Supporter-A	9358115015	9358115015	9358115015	
412	Terminal Gasket (For Comp.)	9362004008	9370009071	9359882015	
413	Overload Relay	9362005005	9370009057	9359885016	
444	Capillary Assy	---	---	9359401001	
456	Casing	9358082003	9358082003	9358082003	
460	Suction Pipe Fixture-B	---	---	313592374404	
461	Clamp SKB-5M	---	---	313152375801	
464	Switch Box Cover-C	9358009017	9358009024	---	
493	Discharge Pipe-A Assy	---	---	9359402008	
528	Control Box-A	---	---	313728265005	
551	Defrost Cont. Assy	---	---	9703103018	
552	Thermistor Assy	---	---	341226300101	
553	Power Transformer	---	---	9701821013	
572	Holder (Ex. Air Damp.)	9358095010	9358095010	9358095010	
592	Control Box-B	---	---	313370265157	
622	Bracket (Typhoon Lock)	9355799003	9355799003	9355799003	
667	Casing-Upper	9358087008	9358088005	9358088005	
816	Wire Clamp Metal	---	---	313584219902	
982	Cord Clamp	9357884004	9357884004	9357884004	

DEFROST CONT. PCB ASSEMBLY (Ref. No.552)

Ref. No.	Description	Part No.	Ord. Q'ty	Ref. No.	Description	Part No.	Ord. Q'ty
IC1	IC uPD789101AMC-506-5A4	9703119019		R2,5,7,10-12,	Res. Metal 1/10W 10kohm+-5%	0200307015	
IC2	Photo Coupler TLP621(D4)-GB	0000117074		16,18-21,			
IC3	IC NJM7812FA	0100462104		26,27,29			
IC4	IC NJM7805FA	0100462081		R3,4,8,13-15,	Res. Metal 1/10W 1kohm+-5%	0201010747	
IC5	IC PST600CMTR	0101461120		22-25			
Q1	Xstr 2SC2712	0000781053		R6	Res. Metal 1/10W 390ohm+-5%	0200212647	
Q2	Xstr DTC124EKA	0000936033		R9	Res. Metal 1/10W 14kohm+-5%	0200104157	
D1-6	Diode D1F60	0000208024		VA1	Varistor TNR10V471K	0000361224	
D7	Diode DAN202K	0000684019		K1	Relay JQ1P-10V	9701794010	
C1	Cap. Elec. 25V 1000uF	0300213278		X1	Ceramic Resonator CSTS0500MG03-T	9702840013	
C2,10,19	Cap. Elec. 25V 10uF	0300004258		F1	Fuse BET 2A-250V	0600222550	
C3-5,8,18	Cap. Ceramic 25V 0.1uF	0301102885		FH1,2	Fuse Holder PFC5000-0502	0500158072	
C6,7,11-17	Cap. Ceramic 50V 0.01uF	0300277218		CN1	Plug, PCB 1-1123724-2	0501321512	
C9	Cap. Plastic 275V 0.022uF	0300304037		CN2	Plug, PCB B2B-XH-AM	0500005321	
C20	Cap. Ceramic 50V 1000pF	0300277096		CN3	Plug, PCB B5P-SHF-1AA	0500006069	
R1	Res. Metal 1W 560kohm+-5%	0201106662		CN4,A-1,2	Wire w/Connector 2P-SCN 172336-1	9700052012	
				C,B,D-1,2	Wire w/Connector 172338-1 170072-1	9700051015	



MANUFACTURER :

Fuji Denki Sosetsu Co., Ltd.

Tokyo, Japan