

FUJII
ELECTRIC

ROOM AIR CONDITIONER

RK SERIES

SERVICE
MANUAL

Models : RK-7AB
RK-9AB
RK-9RA

C O N T E N T S

SPECIFICATIONS	1
CIRCUIT DIAGRAM	2
MICROCOMPUTER CONTROL CIRCUIT	5
PRINTED CIRCUIT BOARD LAYOUTS	6
DISASSEMBLY ILLUSTRATION	7
PARTS LIST	12

S P E C I F I C A T I O N S

MODEL		RK-7AB	RK-9AB	RK-9RA
COOLING CAPACITY	(kW)	2.00 - 2.05	2.50 - 2.55	2.50
HEATING CAPACITY	(kW)	—	—	2.80
HEATING METHOD		—	—	Reverse cycle

ELECTRICAL DATA

POWER SOURCE	(V)	220 - 240		
FREQUENCY	(Hz)	50		
RUNNING CURRENT	(A)			
	COOLING	3.6 - 3.4	4.4 - 4.3	4.4
	HEATING	—	—	4.4
INPUT WATTS	(kW)			
	COOLING	0.79 - 0.81	0.96 - 1.02	1.00
	HEATING	—	—	0.98
EER	(kW/kW)			
	COOLING	2.53 - 2.53	2.60 - 2.50	2.50
	HEATING	—	—	2.86

COMPRESSOR

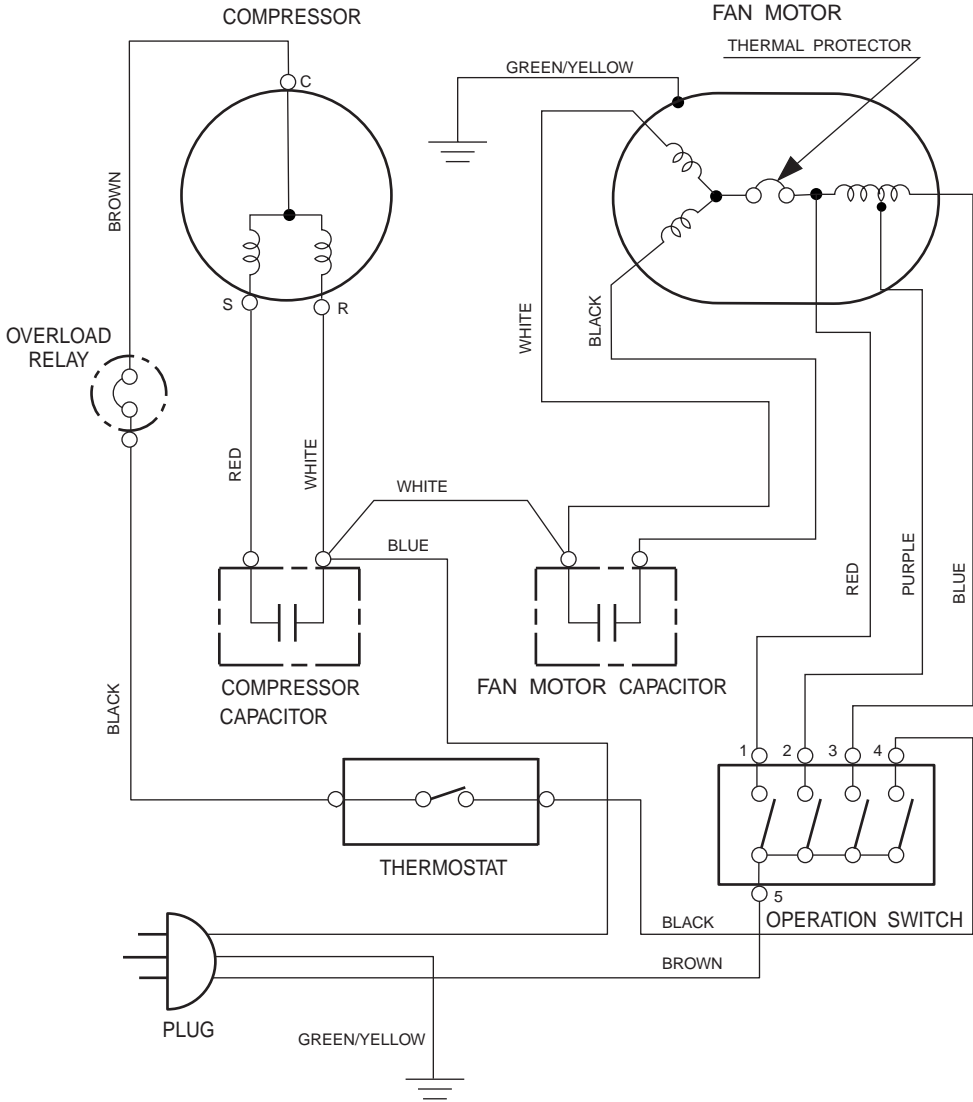
TYPE		Hermetic type, Rotary type		
CODE		GK141PK12A 3 Leg	2PS164D2AE02 3 Leg	806-919-45 3 Leg
REFRIGERANT	R-22 (g)	450	640	680

FAN MOTOR

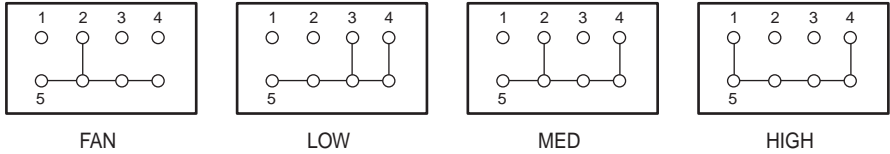
CODE		MFC-07CTAM	MFC-09BTM	MFC-09CTM
HIGH POWER	(r.p.m.)	1,075 (at 240V)	1,100 (at 240V)	1,120 (at 240V)
SUPER QUIET	(r.p.m.)	840 (at 240V)	860 (at 240V)	890 (at 240V)

C I R C U I T D I A G R A M

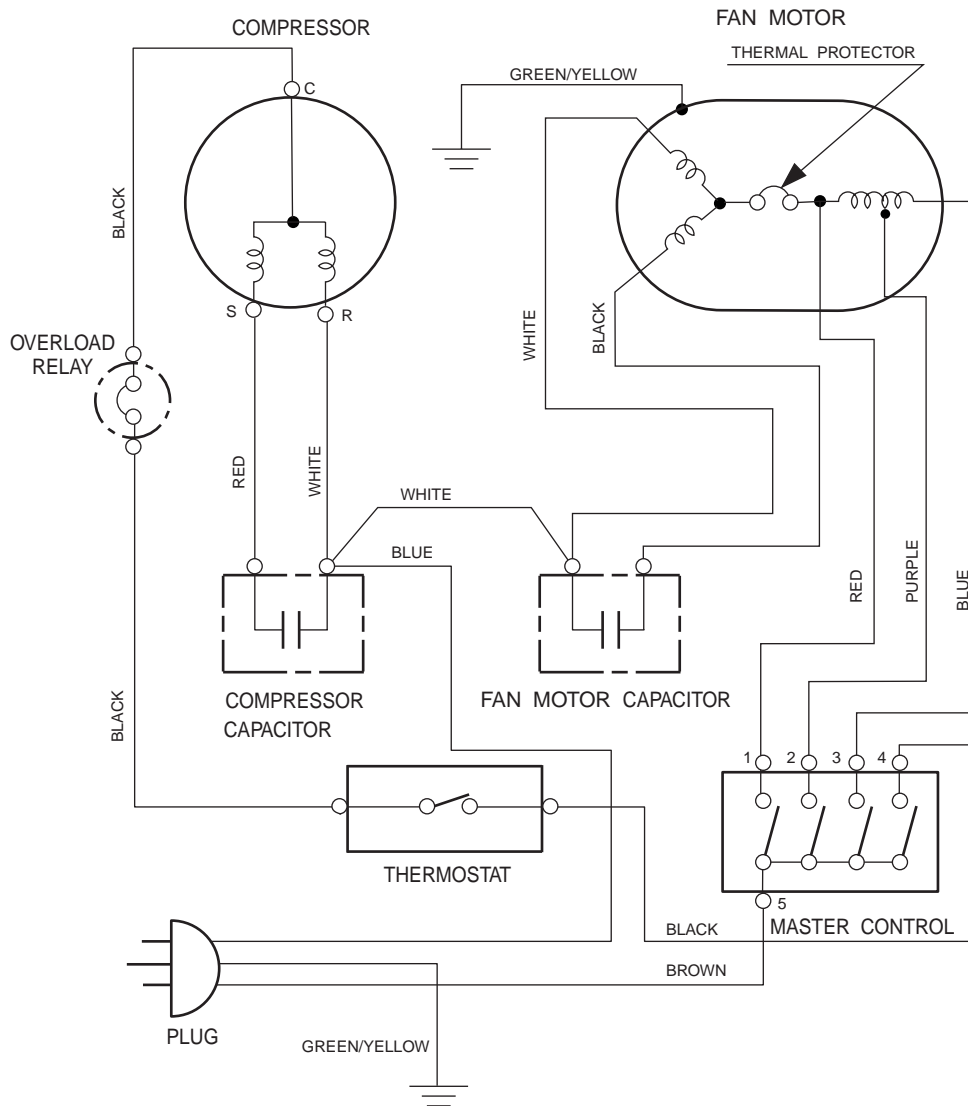
Model : RK-7AB



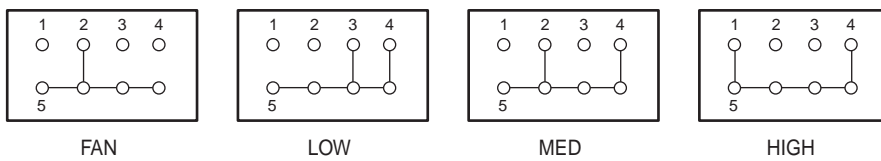
OPERATION SWITCH INTERNAL CONNECTIONS



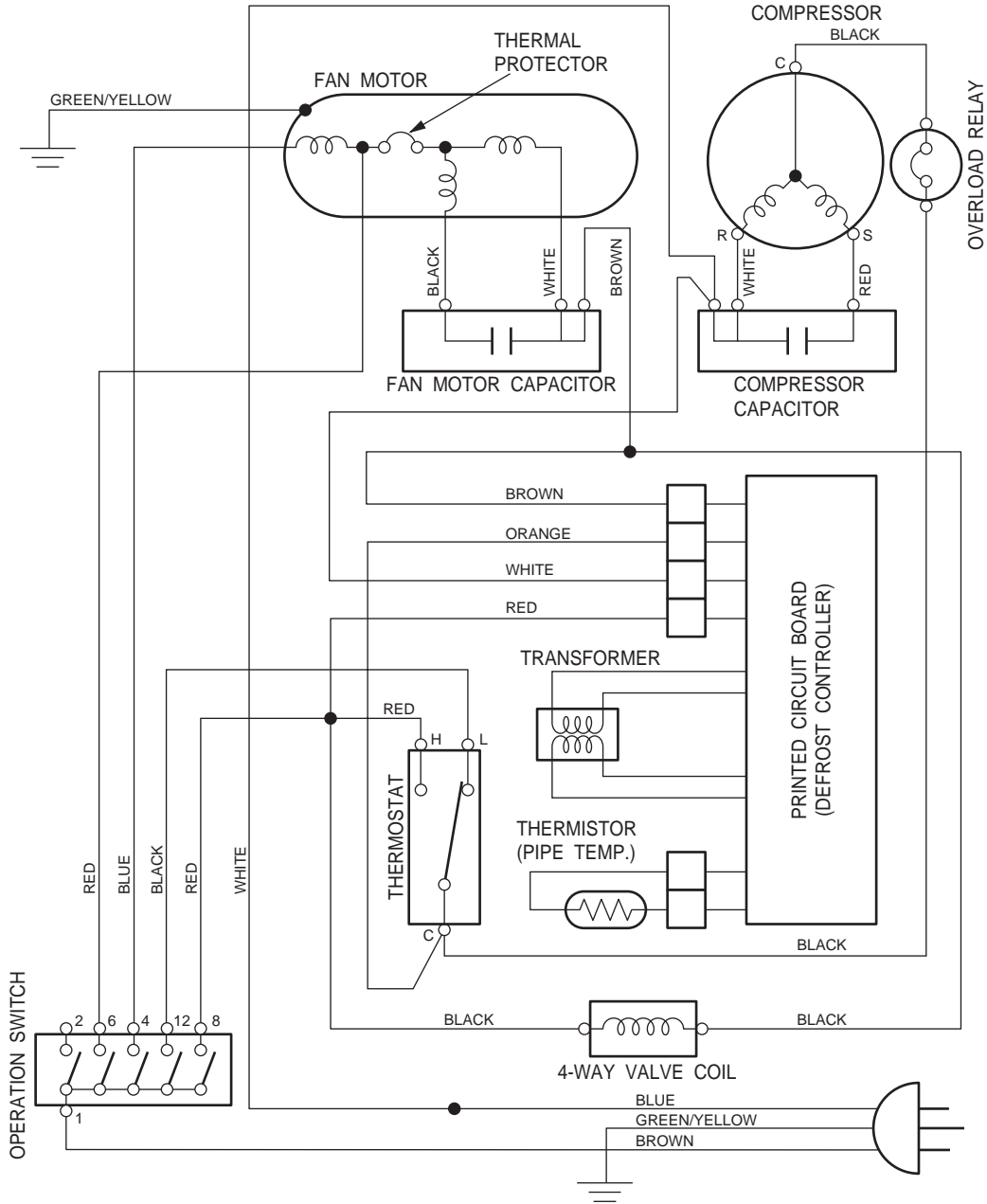
Model : RK-9AB



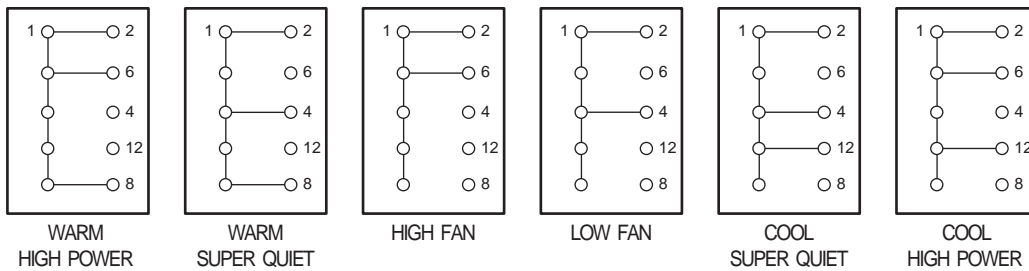
MASTER CONTROL INTERNAL CONNECTIONS



Model : RK-9RA

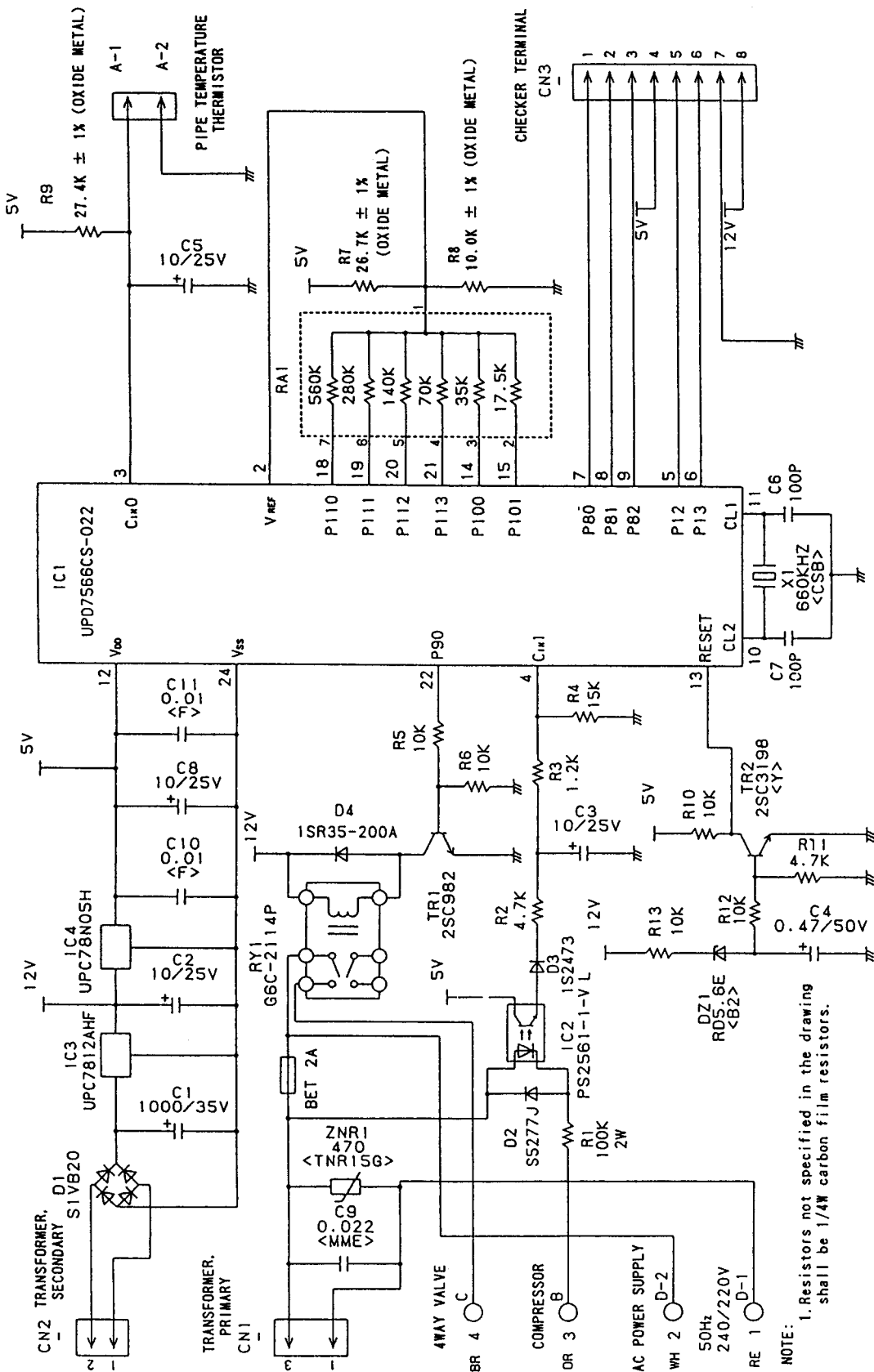


OPERATION SWITCH INTERNAL CONNECTIONS



MICROCOMPUTER CONTROL CIRCUIT

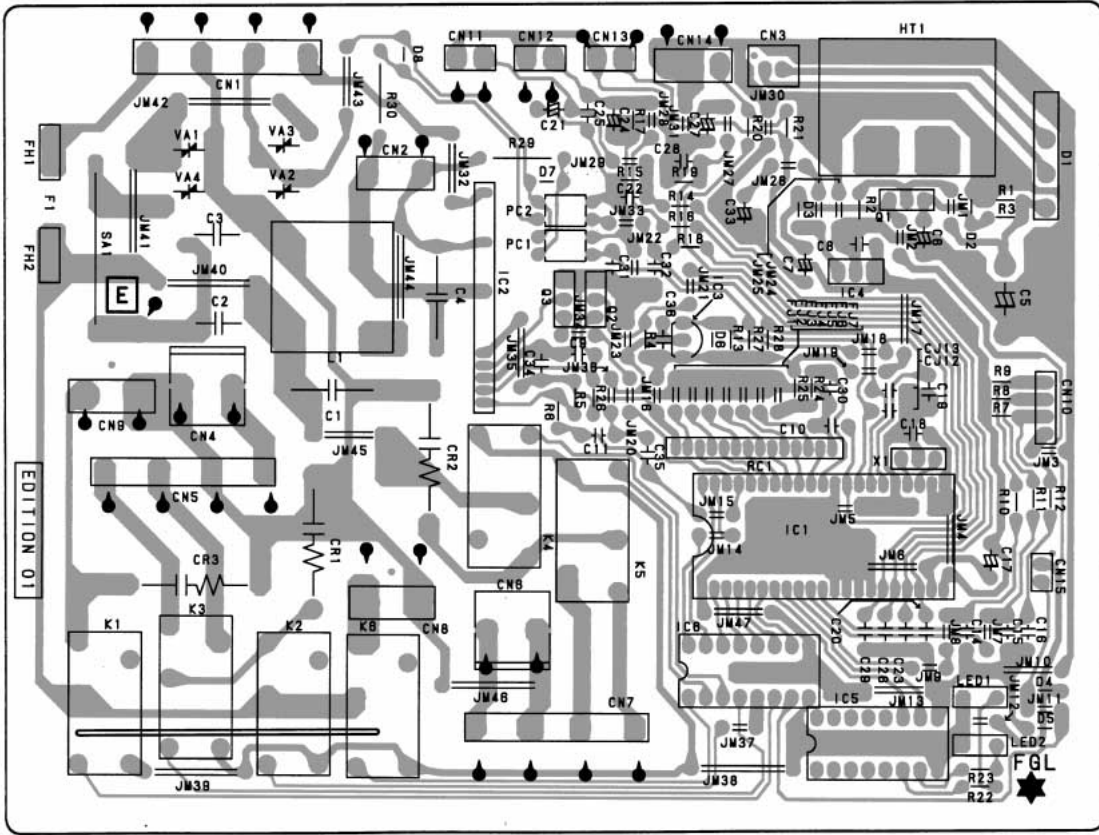
Model : RK-9RA



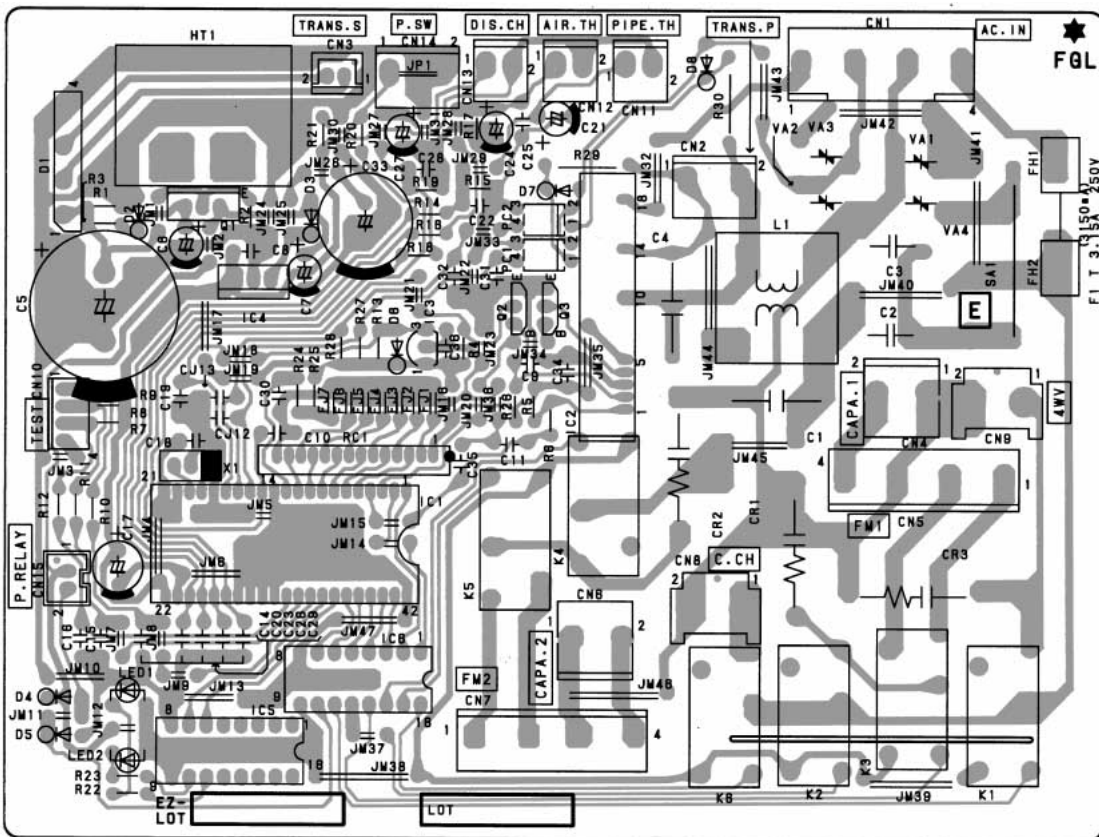
PRINTED CIRCUIT BOARD LAYOUTS

Model : RK-9RA

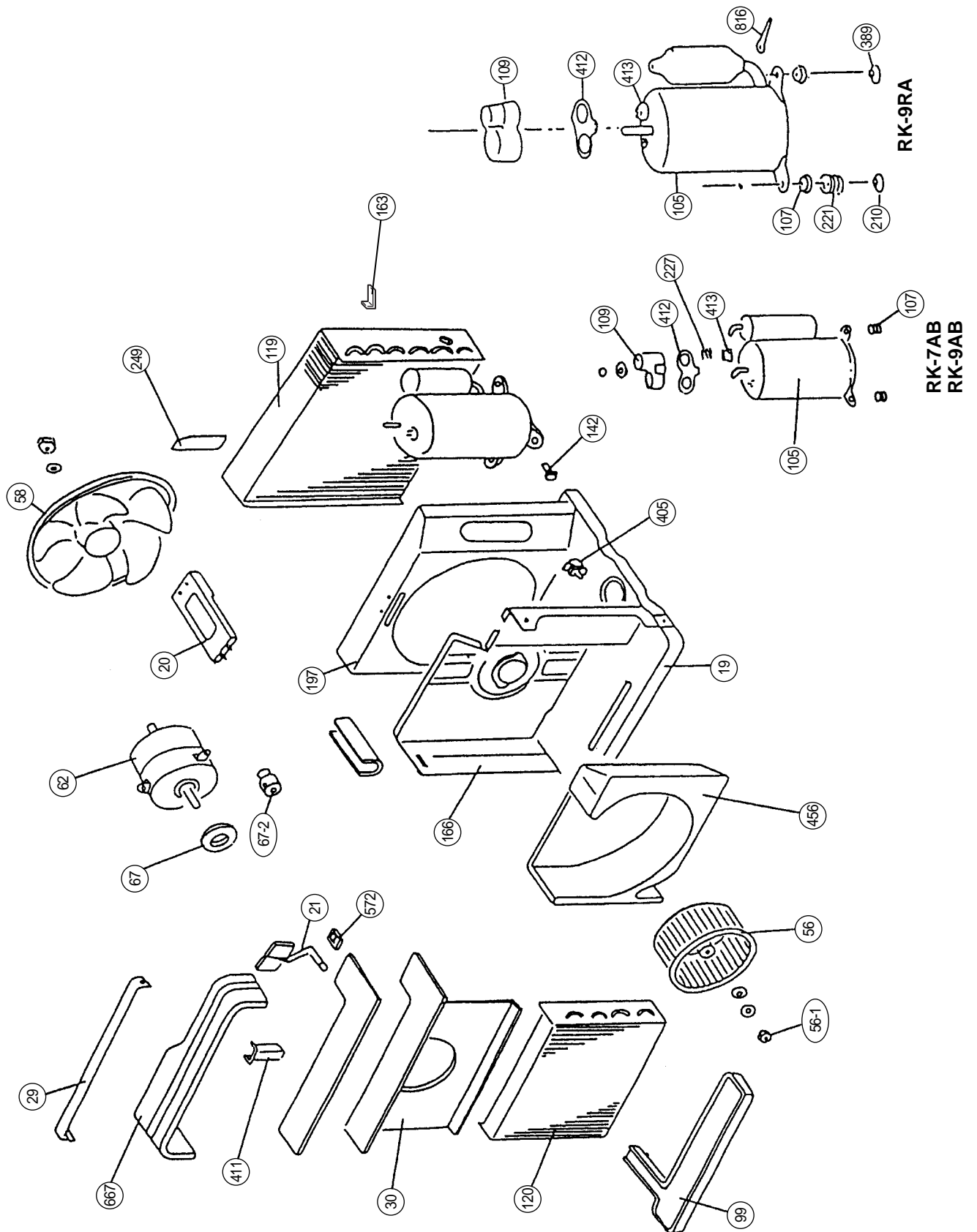
(Viewed from the solder side)



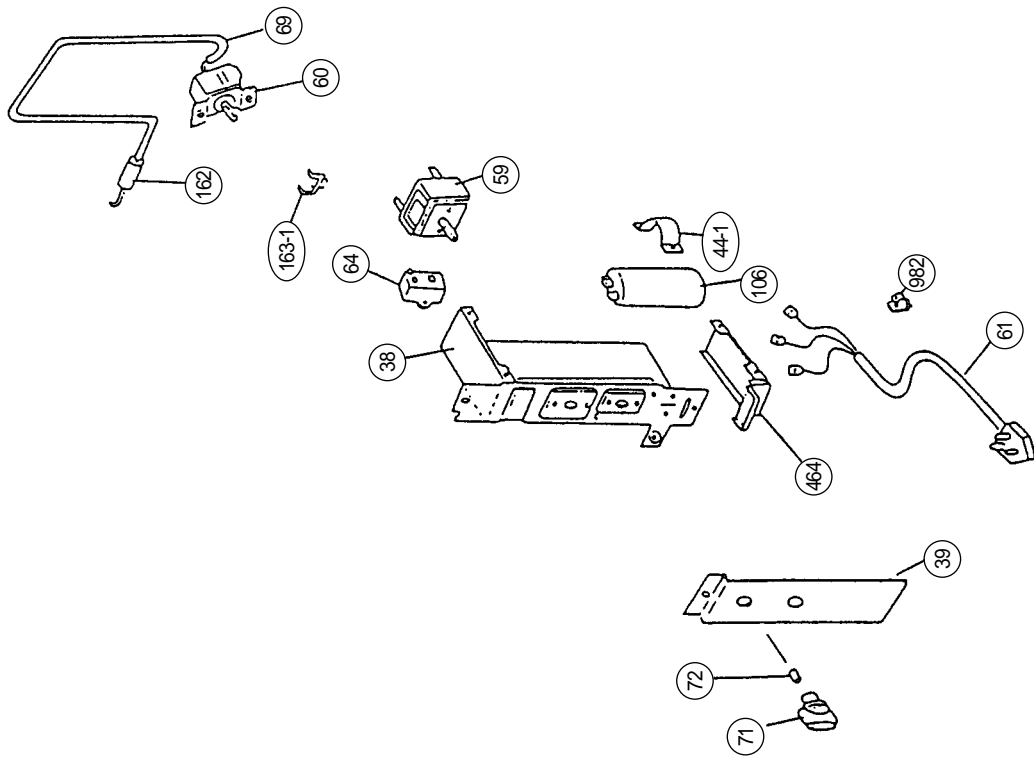
(Viewed from the component side)



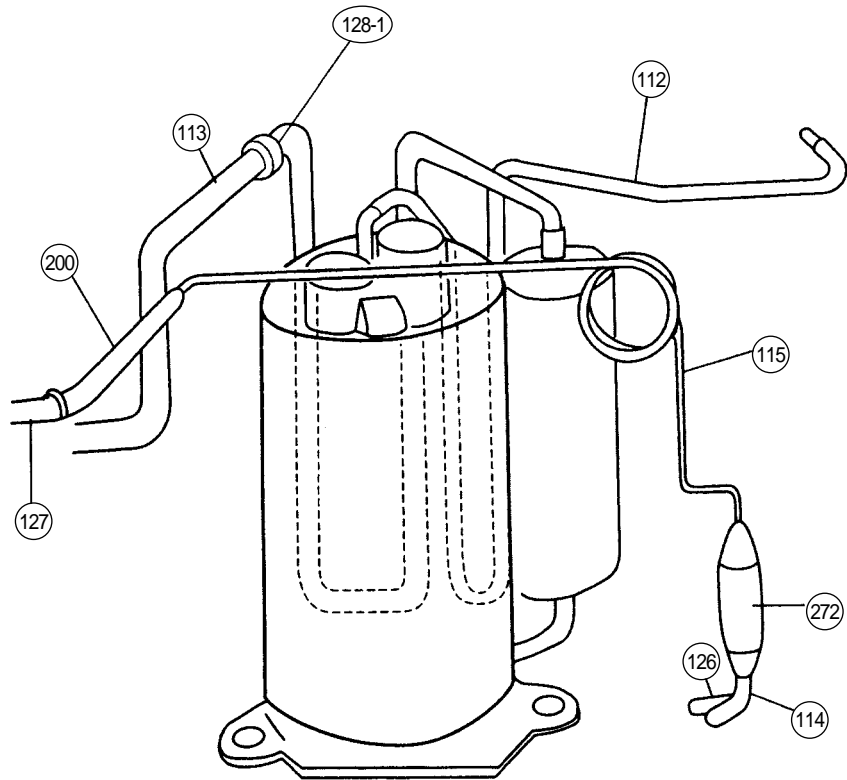
DISASSEMBLY ILLUSTRATION



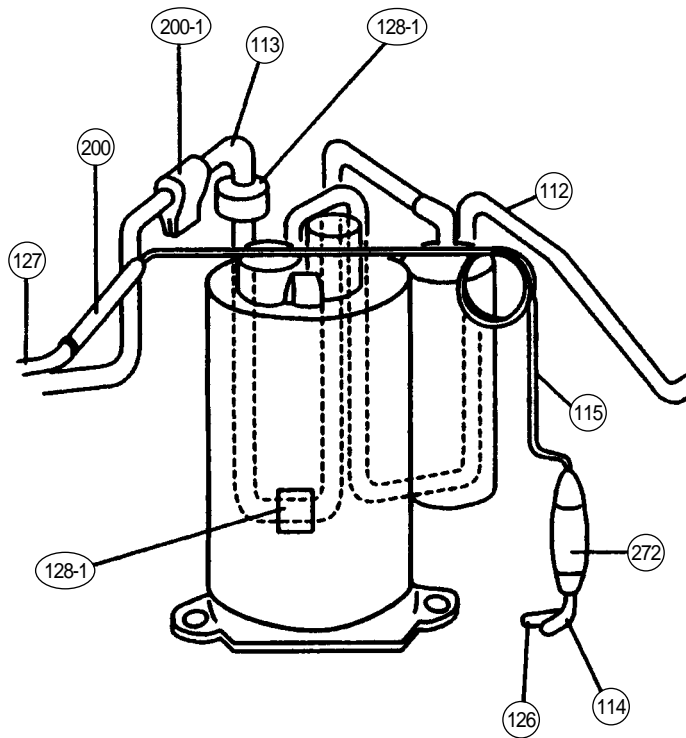
Models : RK-7AB
RK-9AB



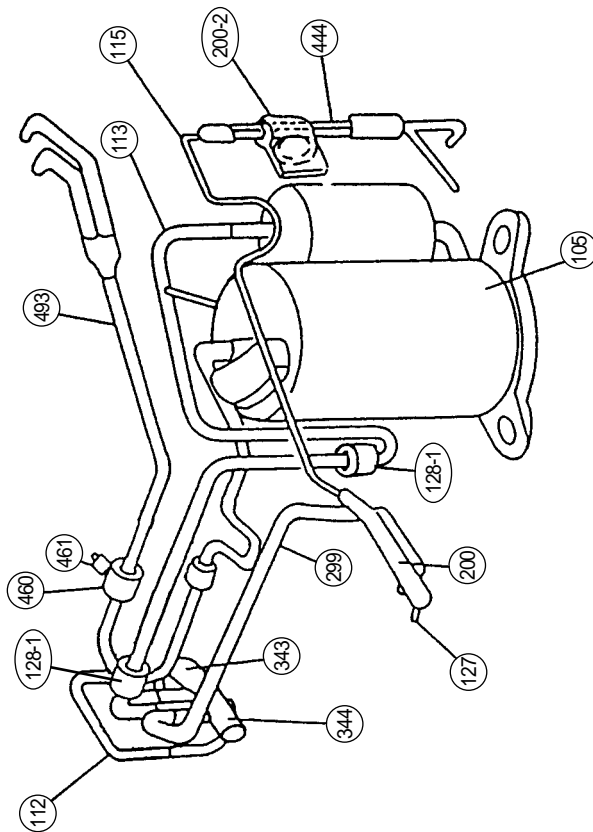
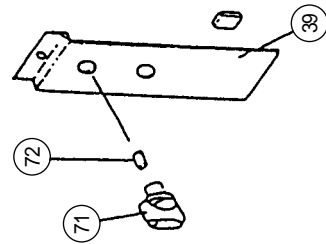
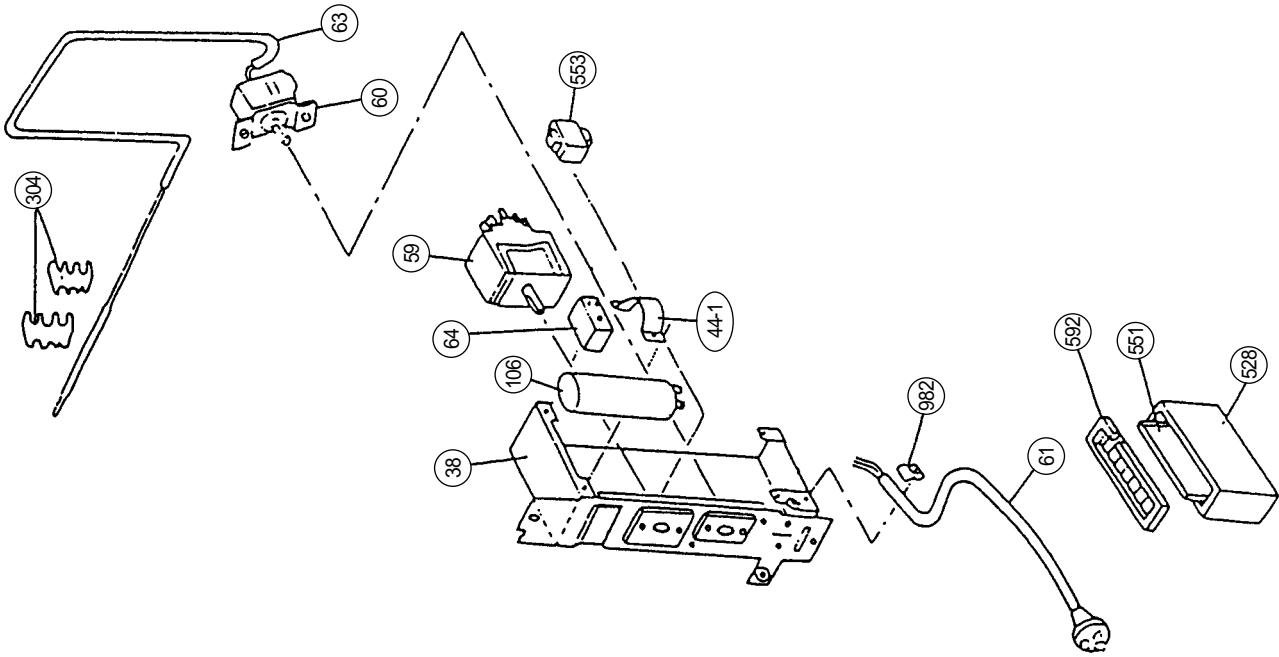
Model : RK-7AB

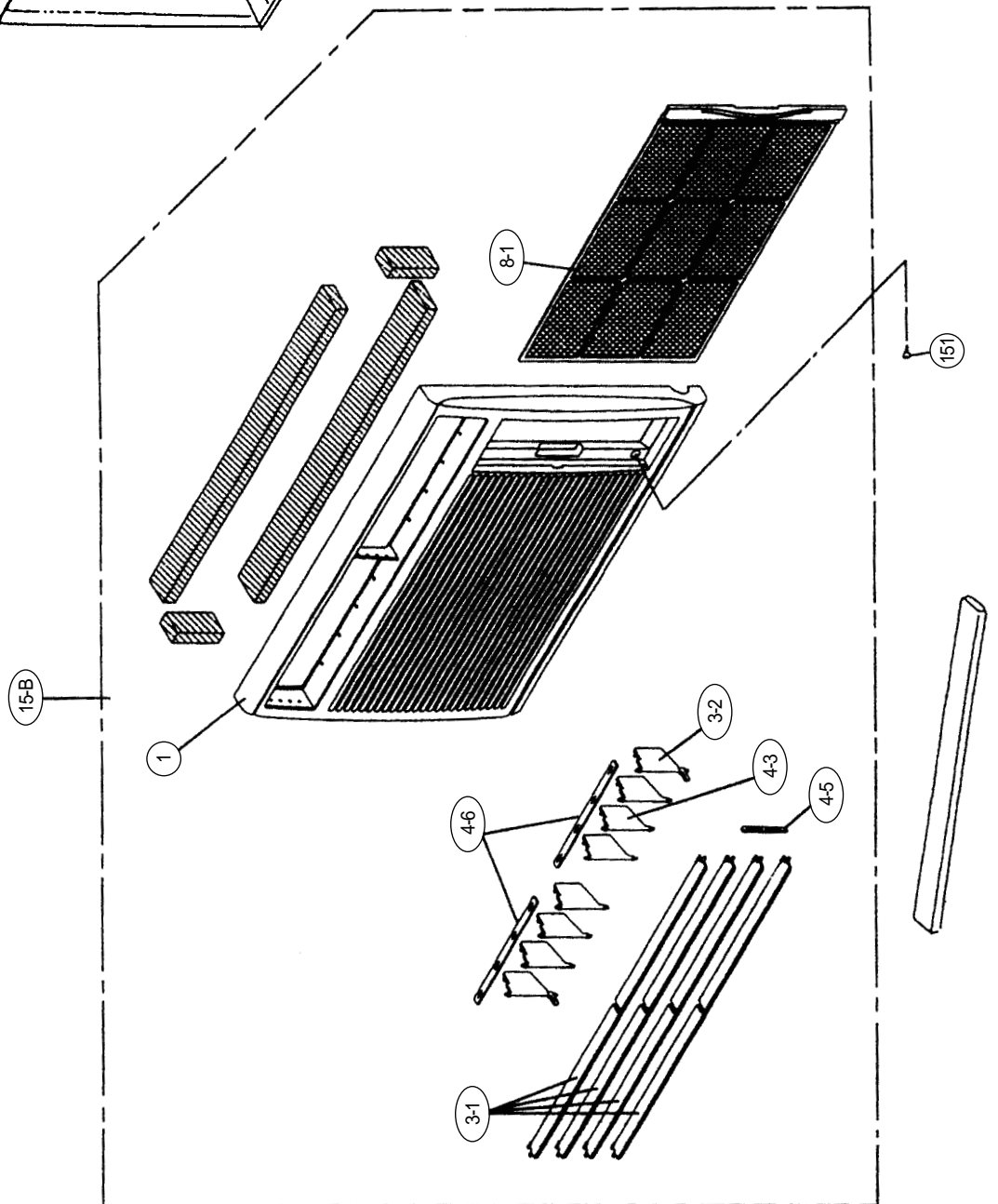
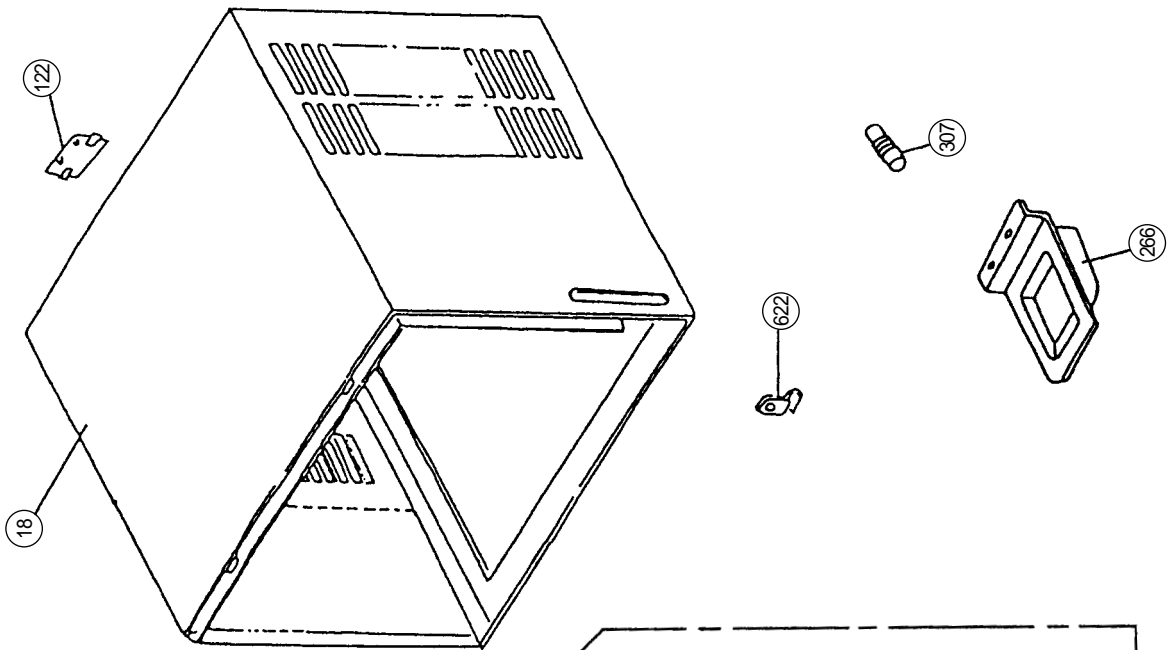


Model : RK-9AB



Model : RK-9RA





PARTS LIST

When you order parts, please make a photocopy of this page and fill the number of the parts in the "Order" column.

FRONT PANEL PARTS

Ref. No.	Description	Part No.	Ord. Q'ty	Ref. No.	Description	Part No.	Ord. Q'ty
1	Front Panel	9361838017		4-5	Connecting Plate-A	9358102015	
3-1	Louver-A	9361840010		4-6	Connecting Plate-B	9358103012	
3-2	Louver-C	9358101018		8-1	Filter	9361842021	
4-3	Louver-B	9358100011		15-B	Front Panel Assy	9362575010	

CABINET CHASSIS PARTS

Ref. No.	Description	Part No.			Ord. Q'ty
		RK-7AB	RK-9AB	RK-9RA	
18	Cabinet Assy	9389020074	9389020067	9389020067	
19	Base Assy	9389017135	9389017029	9389017098	
20	Supporter-C	9358090008	9358091005	9358091005	
21	Exhaust Air Damper	9358094013	9358094020	9358094020	
29	Supporter-B	9358089002	9358089002	9358089002	
30	Blower Mouth	9358083000	9358084007	9358084007	
38	Switch Box-A Assy	313106242808	313107242805	9358335017	
39	Switch Panel	9358134092	9358134092	9358134115	
44-1	Capacitor Band (Running Capacitor)	313306061707	313106061706	313106061706	
56	Sirocco Fan	9358107010	9358107010	9358107010	
56-1	Nut for Sirocco Fan	9358135006	9358135006	9358135006	
58	Propeller Fan	9358106013	9358106013	9358106013	
59	Operation Switch	9370012019	9370012019	9351214012	
60	Thermostat	9370013016	9370013016	9355099004	
61	Power Cord Assy	9358309018	9358309018	9358309025	
62	Fan Motor Assy	9359387008	9358334003	9359408000	
63	Protection Tube-B (Thermostat)	—	—	313152149608	
64	Capacitor (Fan Motor)	9703124013	9703124013	9703124013	
67	Rubber (Vibration-proof)	313106068602	313106068602	313106068602	
67-2	Rubber-B (Vibration-proof)	9358306000	9358306000	9358306000	
69	Protection Tube	313310060308	313310060308	—	
71	Thermostat Knob	9358105016	9358105016	9358105023	
72	Knob Spring (Thermostat Knob)	313008061010	313008061010	313008061010	
99	Drain Pan	9358085004	9358086001	9358086001	
105	Compressor Assy	9361891005	9357492001	9359879008	
106	Running Capacitor	9350973026	9350973019	9350973033	
107	Rubber Seat-A (For Comp.)	9359425014	9370009026	9359880011	
109	Terminal Cover (For Comp.)	9359426011	9357437002	9359881018	
112	Discharge Pipe	9359447009	9358926000	9357203003	
113	Suction Pipe Assy	9362033008	9358927007	9357204000	
114	Air Duct Pipe-E	313252257206	313252257206	—	
115	Capillary Tube	9359449003	9358928004	9359399001	
119	Condenser Assy	9358130018	9358132012	9359397014	
120	Evaporator Assy	9359331018	9358131015	9359395010	
122	Emblem-B (Rear)	9358104040	9358104040	9358104040	
126	Condensing Pipe-B	9358368008	9358923009	—	
127	Inlet Pipe (Evaporator)-B	9358925003	9358929001	313564019206	
128-1	Rubber (Discharge Pipe)	—	313155086308	313155086308	
142	Drain Pipe	9351674007	9351674007	—	
151	Front Panel Screw	313306389909	313306389909	313306389909	

When you order parts, please make a photocopy of this page and fill the number of the parts in the "Order" column.

CABINET CHASSIS PARTS (Continued)

Ref. No.	Description	Part No.			Ord.
		RK-7AB	RK-9AB	RK-9RA	Q'ty
162	Thermostat Holder	313616262803	313616262803	---	
163	Thermostat Spring-A	---	---	313728262708	
163-1	Thermostat Spring-A	313668262714	313668262714	---	
166	Separate Wall Assy	9358114018	9358114018	9358114032	
193	Cushion Rubber	313376149201	---	---	
197	Wind Guide Board	9358092019	9358092026	9358092026	
200	BR Sheet-B	9359189008	9359189008	313806108302	
200-1	BR Sheet-B	---	313563108306	---	
200-2	BR Sheet-B	---	---	9351990022	
210	Rubber Seat-B (For Comp.)	---	---	9359887010	
221	Mounting Spring-A (For Comp.)	---	---	9359883012	
227	Terminal Spring	9359429012	9370009064	---	
249	Dew Proof Plate	313106041504	313106041504	313106041504	
266	Drain Boat	---	---	313681252701	
272	Strainer	9350663026	9350663026	---	
299	Suction Pipe-B	---	---	313565098706	
304	Thermostat Fixture-B	---	---	313349051500	
307	Flexible Tube	313013042915	313013042915	---	
343	Solenoid Coil	---	---	9359617020	
344	4-Way Valve	---	---	313947302811	
389	Rubber Seat-C (For Comp.)	---	---	9359888017	
405	Clamp No.1763	313816345304	313816345304	313816345304	
411	Supporter-A	9358115015	9358115015	9358115015	
412	Terminal Gasket (For Comp.)	9362004008	9370009071	9359882015	
413	Overload Relay	9362005005	9370009057	9359885016	
444	Capillary Assy	---	---	9359401001	
456	Casing	9358082003	9358082003	9358082003	
460	Suction Pipe Fixture-B	---	---	313592374404	
461	Clamp SKB-5M	---	---	313152375801	
464	Switch Box Cover-C	9358009017	9358009024	---	
493	Discharge Pipe-A Assy	---	---	9359402008	
528	Control Box-A	---	---	313728265005	
551	Defrost Cont. Assy	---	---	9701558018	
552	Thermistor Assy	---	---	341226300101	
553	Power Transformer	---	---	9702248017	
572	Holder (Ex. Air Damp.)	9358095010	9358095010	9358095010	
592	Control Box-B	---	---	313370265157	
622	Bracket (Typhoon Lock)	9355799003	9355799003	9355799003	
667	Casing-Upper	9358087008	9358088005	9358088005	
816	Wire Clamp Metal	---	---	313584219902	
982	Cord Clamp	9357884004	9357884004	9357884004	

DEFROST CONTROLLER PCB ASSEMBLY (Ref. No. 551)

Ref. No.	Description	Part No.	Ord. Q'ty	Ref. No.	Description	Part No.	Ord. Q'ty
IC1	IC μ PD7566GS-022	0100007015		R3	Res. Carbon 1/4W 1.2k Ω \pm 5%	0200038032	
IC2	IC PS256-1-VL	0000050456		R4	Res. Carbon 1/4W 15k Ω \pm 5%	0200038292	
IC3	IC μ PC7812AHF	0100008104		R5,6,10,12,13	Res. Carbon 1/4W 10k Ω \pm 5%	0200038254	
IC4	IC μ PC78N05H	0100884012		R7	Res. Metal 2W 26.7k Ω \pm 1%	0201028780	
D1	Diode S1VB20	0000292054		R8	Res. Metal 2W 10k Ω \pm 1%	0201028797	
D2	Diode 1SR139-600	0000353120		R9	Res. Metal 2W 27.4k Ω \pm 1%	0201028735	
D3	Diode 1S2473	0000017015		RA1	Res. Array RKM7LW 1752G	0200070018	
D4	Diode 1SR35-400A	0000353038		X	Ceramic Resonator CSB660P	9701240012	
DZ1	Diode RD5.6EB2	0000025010		ZNR	Varistor TNR15G471K	0000038072	
TR1	Xstr 2SC982TM	0000005012		RY1	Relay G6C-2114P-US	9700050018	
TR2	Xstr 2SC3198	0000860017		FH1,2	Fuse Holder PFC5000-0502	0500158072	
C1	Cap. Elec. 35V 1000 μ F	0300915493		FUSE	Fuse BET 2A-250V	0600222550	
C2,3,5,8	Cap. Elec. 25V 10 μ F	0300004258		CN1	Plug, PCB B2P3-VH-B	0500011728	
C4	Cap. Elec. 50V 0.47 μ F	0300004302		CN2	Plug, PCB B2B-XH-A	0500005055	
C6,7	Cap. Ceramic 50V 100pF	0300011072		CN3	Plug, PCB B8B-XH-A	0500005024	
C9	Cap. Ceramic 250V 0.022 μ F	9702061012		C,B,	Wire w/Connector 172338-1	9700051015	
C10,11	Cap. Ceramic 50V 0.01 μ F	0300013113		D-1,2	---	---	
R1	Res. Metal 2W 100k Ω \pm 5%	0200047133		A-1,2	Wire w/Connector 172336-1	9700052012	
R2,11	Res. Carbon 1/4W 4.7k Ω \pm 5%	0200008179		JM4,5	Wire Assembly IPS-1041-2	9700035015	



MANUFACTURER :

Fuji Denki Sosetsu Co., Ltd.

Tokyo, Japan