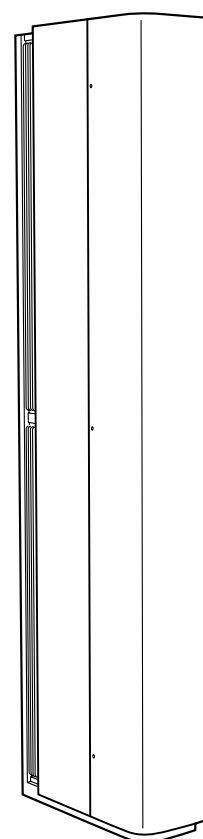
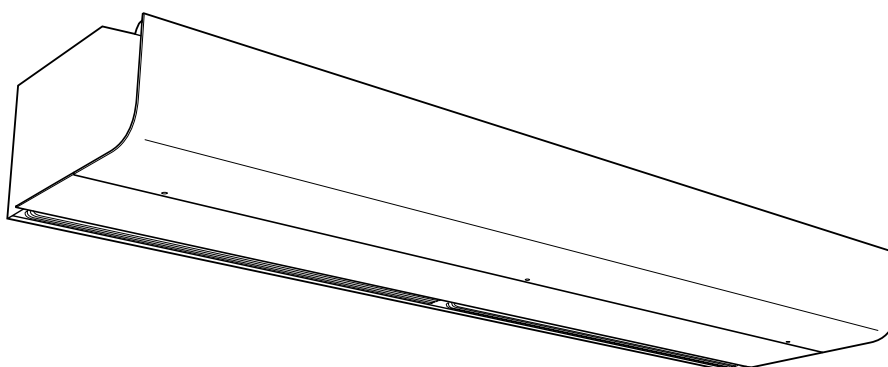


Original instructions
PA3500/4200



SE 27

EN ... 33

NO ... 38

DE ... 44

ES ... 51

FR ... 57

IT ... 64

NL ... 71

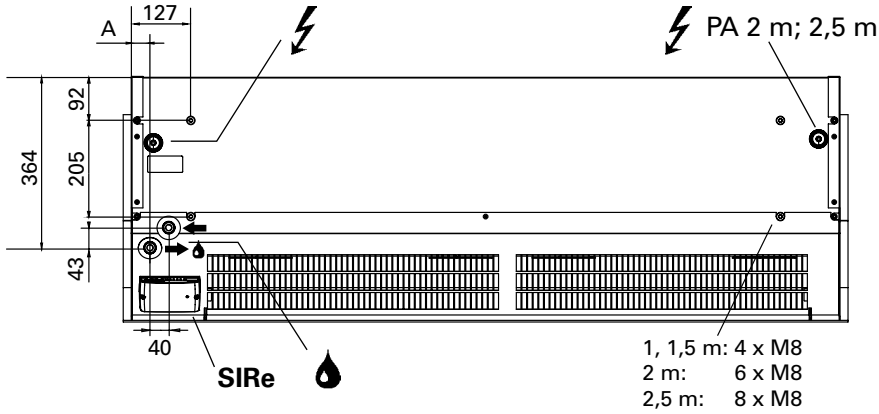
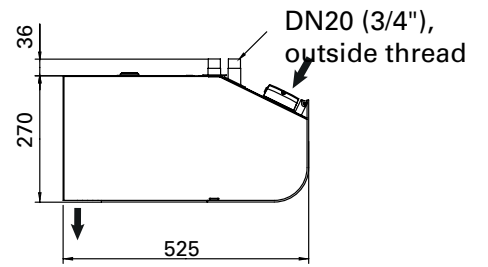
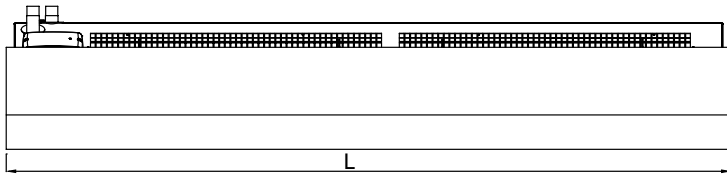
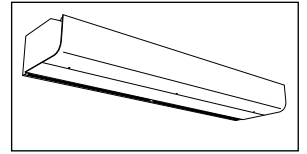
PL ... 78

RU ... 84

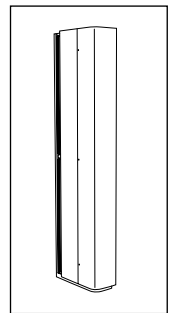
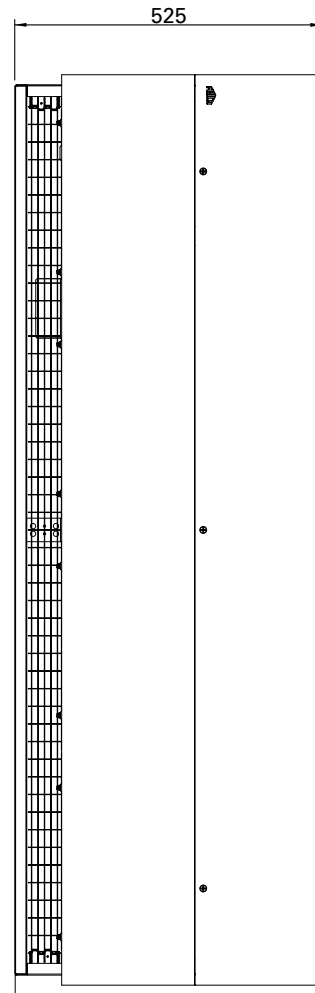
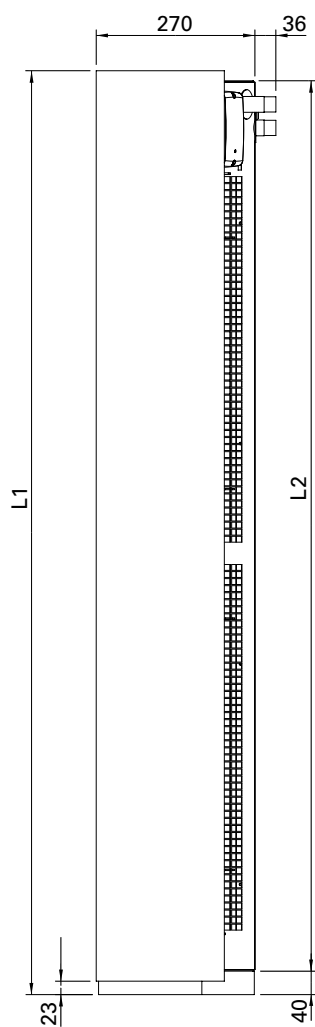
FI ... 90

- SE** Introduktionssidorna består huvudsakligen av bilder. För översättning av de engelska texter som används, se respektive språksidor.
- EN** The introduction pages consist mainly of pictures. For translation of the English texts used, see the respective language pages.
- NO** Introduksjonssidene består hovedsakelig av bilder. For oversettelse av de engelske tekstene, se de respektive språksidene.
- FR** Les pages de présentation contiennent principalement des images. Pour la traduction des textes en anglais, consultez la page correspondante à la langue souhaitée.
- DE** Die Einleitungsseiten bestehen hauptsächlich aus Bildern. Für die Übersetzung der verwendeten Texte in englischer Sprache, siehe die entsprechenden Sprachseiten.
- ES** Las páginas introductorias contienen básicamente imágenes. Consulte la traducción de los textos en inglés que las acompañan en las páginas del idioma correspondiente.
- NL** De inleidende pagina's bevatten hoofdzakelijk afbeeldingen. Voor een vertaling van de gebruikte Engelse teksten, zie de pagina's van de resp. taal.
- IT** Le pagine introduttive contengono prevalentemente immagini. Per le traduzioni dei testi scritti in inglese, vedere le pagine nelle diverse lingue.
- PL** Początkowe strony zawierają głównie rysunki. Tłumaczenie wykorzystanych tekstów angielskich znajduje się na odpowiednich stronach językowych.
- RU** Страницы в начале Инструкции состоят в основном из рисунков, схем и таблиц. Перевод встречающегося там текста приведен в разделе RU.
- FI** Esittelysivut koostuvat lähinnä kuvista. Suvuilla olevien enlanninkielisten sanojen käännökset löytyvät ko. kielisivuilta.

PA3500

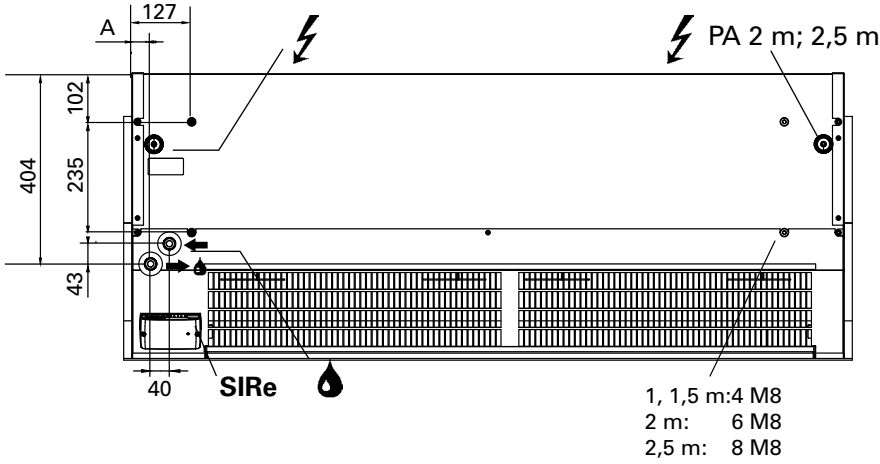
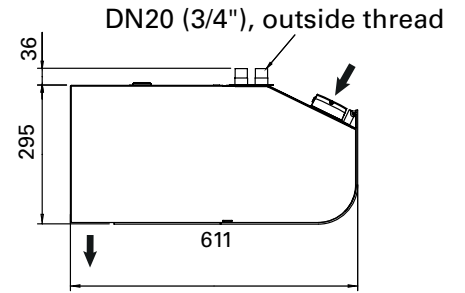
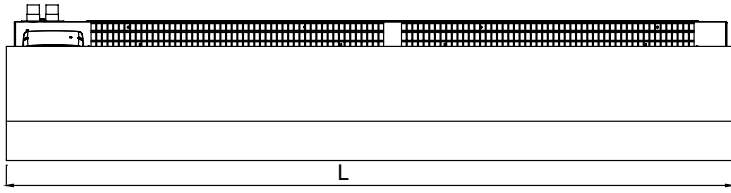
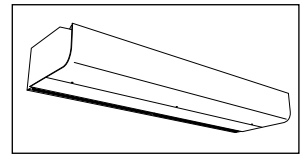


	L [mm]	A [mm]
PA3510	1039	40
PA3515	1549	40
PA3520	2039	40
PA3525	2549	39

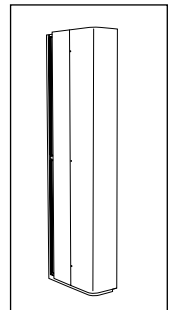
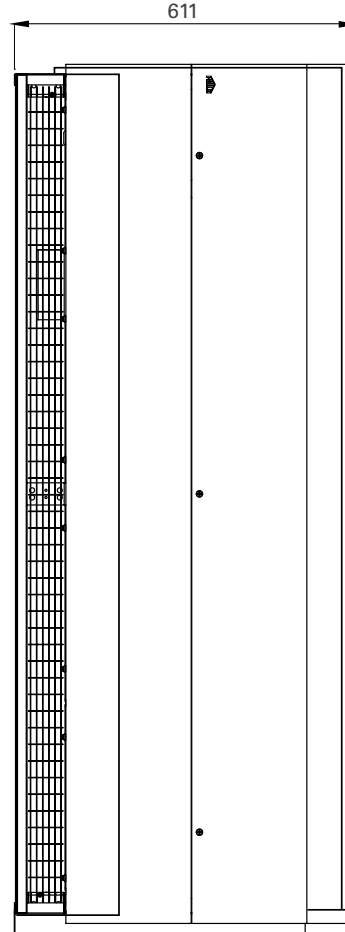
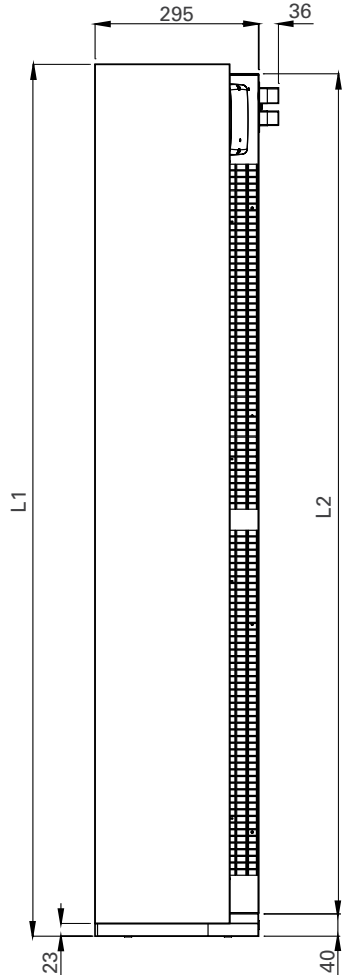


	L1 [mm]	L2 [mm]
PA3515	1572	1515
PA3520	2062	2004
PA3525	2572	2515

PA4200



	L [mm]	A [mm]
PA4210	1039	40
PA4215	1549	40
PA4220	2039	40
PA4225	2549	39



	L1 [mm]	L2 [mm]
PA4215	1572	1515
PA4220	2062	2004
PA4225	2572	2515

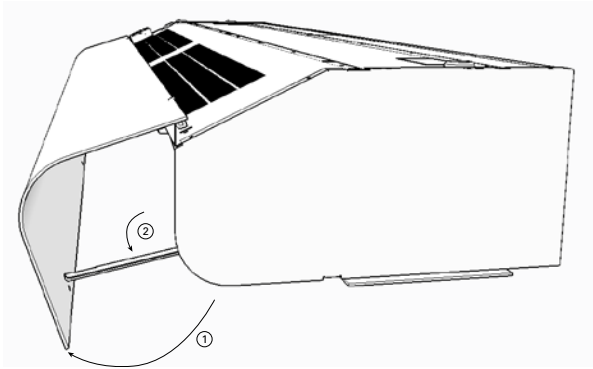


Fig. 1A: Open the unit by raising the front panel. The front is blocked in open position with the front hatch hook.

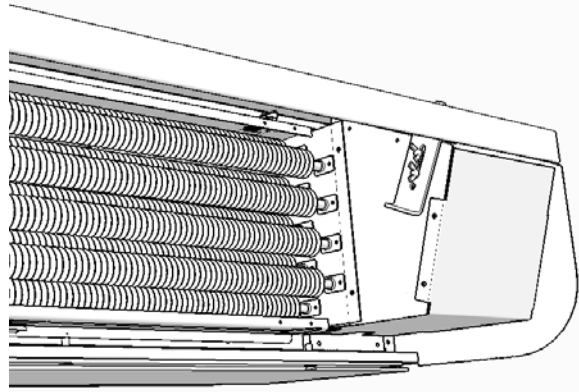


Fig. 1B: When the front has been removed it is important to be sure it is firmly seated in the front locks again.

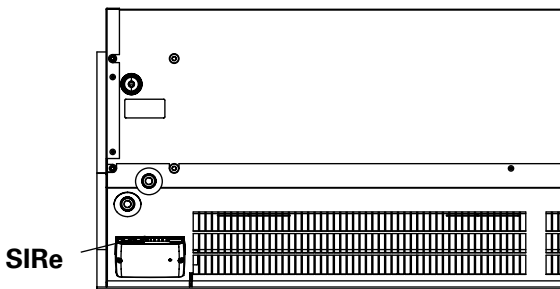


Fig. 2: Control card SIRe is integrated in the air curtain at delivery.

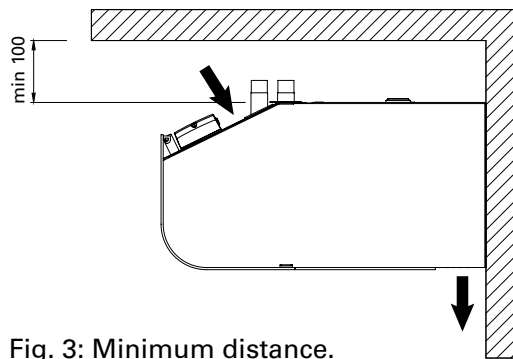


Fig. 3: Minimum distance.

Filling the water coil

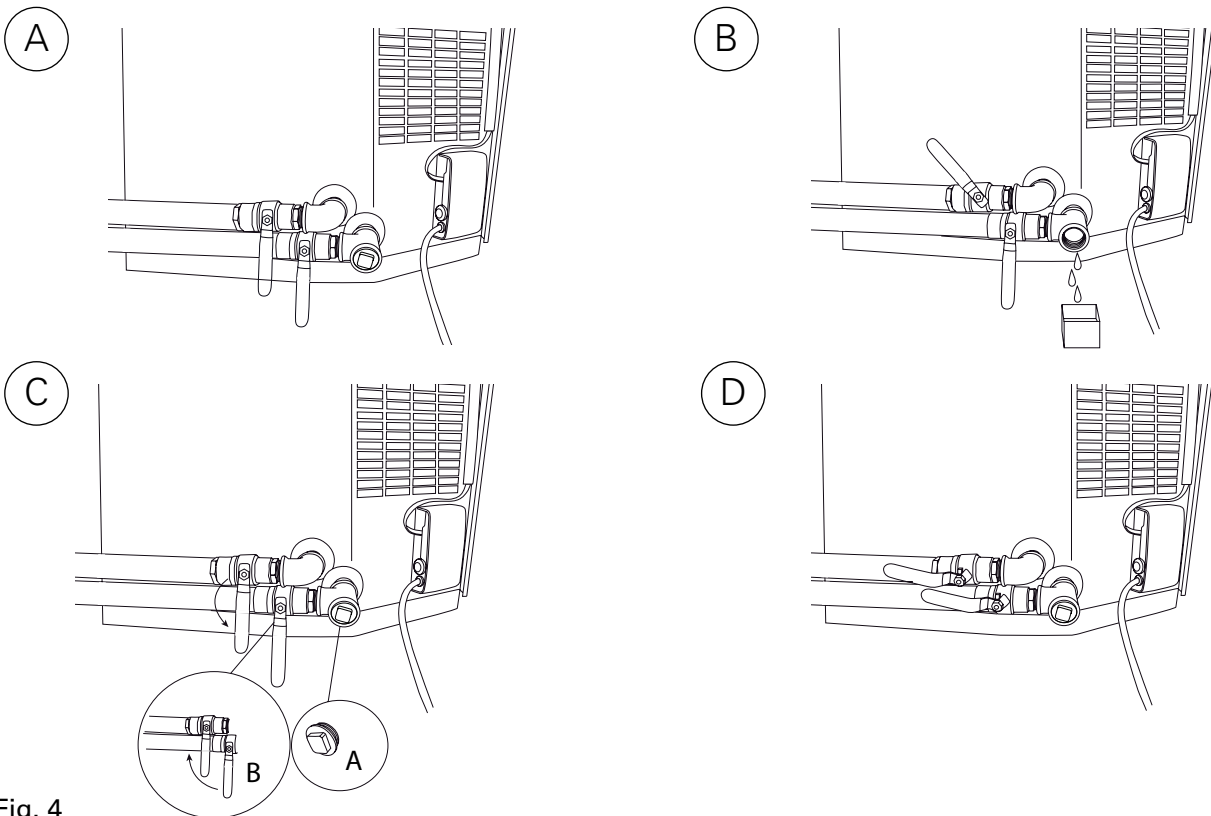
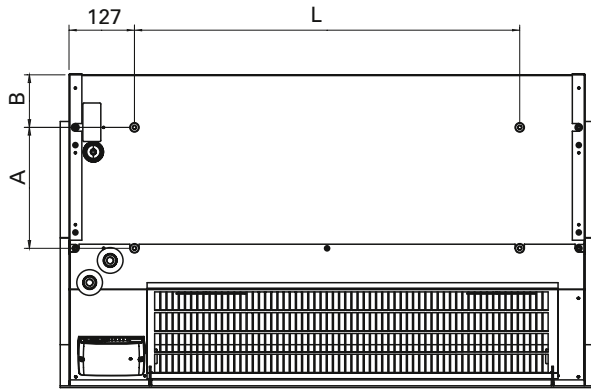


Fig. 4

PA3500/4200

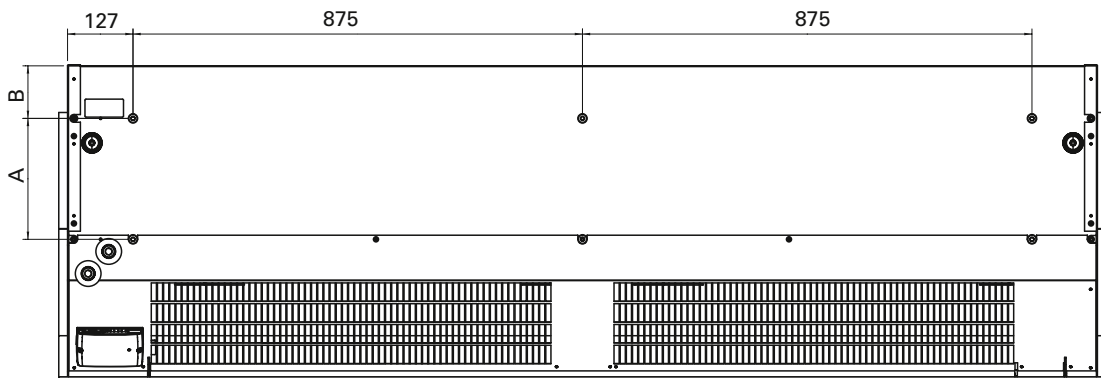
PA3510/PA3515/PA4210/PA4215



	A [mm]	B [mm]
PA3500	205	92
PA4200	235	102

	L [mm]
PA3510	750
PA4210	750
PA3515	1260
PA4215	1260

PA3520/PA4220



PA3525/PA4225

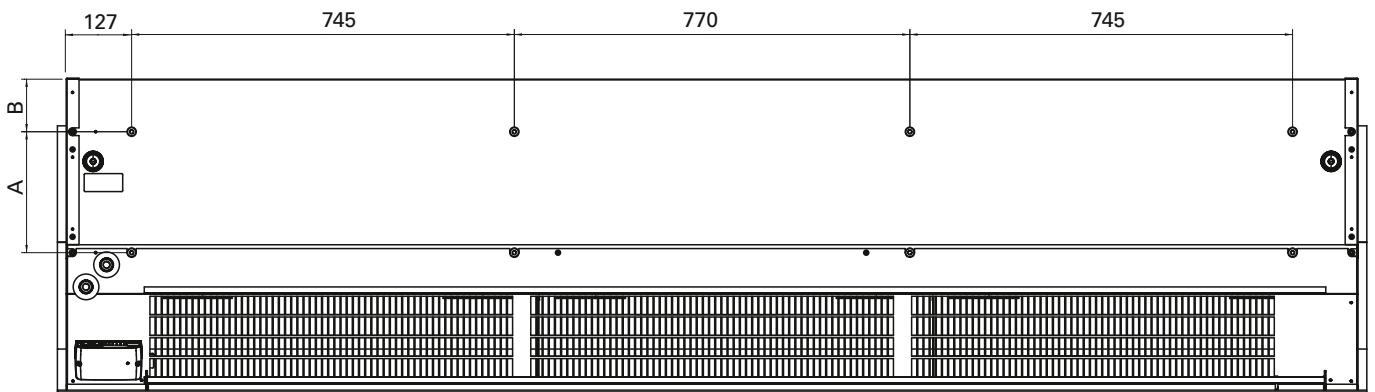


Fig. 5: M8-holes for mounting.

PA3500/4200 + PA34WB

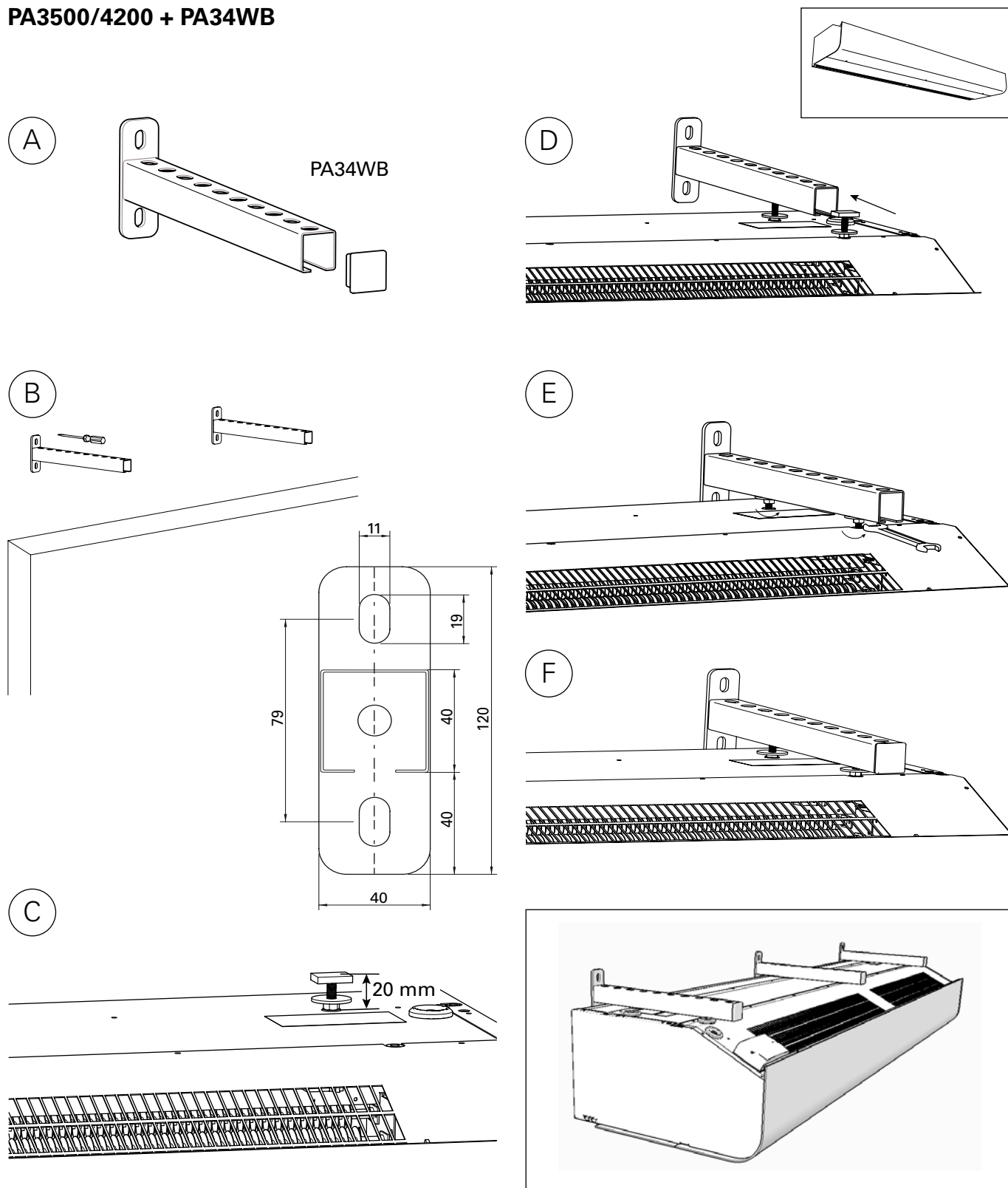


Fig. 6: See separate manual for PA34WB.

Type		Quantity included	Length	Fig.	E-nr (SE)	RSK-nr (SE)	EL-nr (NO)
PA34WB15	PA3510/15, PA4210/15	2 pcs	400 mm	Fig. 6	87 505 68	673 91 18	49 320 82
PA34WB20	PA3520, PA4220	3 pcs	400 mm	Fig. 6	87 505 69	673 91 19	49 320 83
PA34WB30	PA3525, PA4225	4 pcs	400 mm	Fig. 6	87 505 70	673 91 20	49 320 84

Accessories

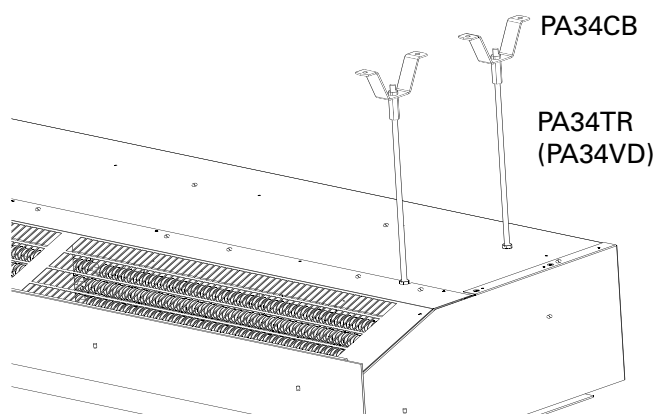


Fig. 7: PA34TR + PA34CB + PA34VD.
See separate manual for PA34TR.

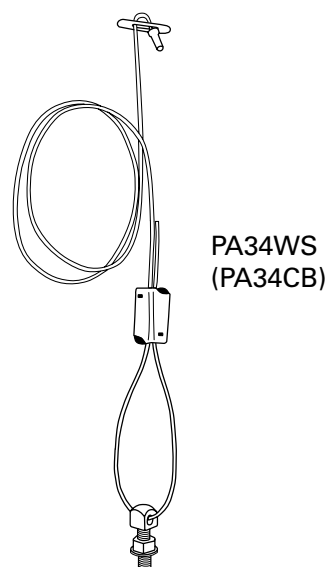
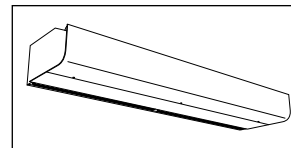


Fig.8: PA34WS + PA34CB
See separate manual for PA34WS.



Type		Quantity included	Length	E-nr (SE)	RSK-nr (SE)	EL-nr (NO)
PA34CB15	PA3510/15, PA4210/15	4 pcs		87 505 71	673 91 21	49 320 59
PA34CB20	PA3520, PA4220	6 pcs		87 505 72	673 91 22	49 320 60
PA34CB30	PA3525, PA4225	8 pcs		87 505 73	673 91 23	49 320 61
PA34WS15	PA3510/15, PA4210/15	4 pcs	3 m	87 505 37	673 90 97	49 322 05
PA34WS20	PA3520, PA4220	6 pcs	3 m	87 505 38	673 90 98	49 322 06
PA34WS30	PA3525, PA4225	8 pcs	3 m	87 505 39	673 90 99	49 322 07
PA34TR15	PA3510/15, PA4210/15	4 pcs	1 m	87 505 32	673 90 94	
PA34TR20	PA3520, PA4220	6 pcs	1 m	87 505 34	673 90 95	
PA34TR30	PA3525, PA4225	8 pcs	1 m	87 505 35	673 90 96	
PA34VD15	PA3510/15, PA4210/15	4 pcs		87 505 74	673 91 24	
PA34VD20	PA3520, PA4220	6 pcs		87 505 75	673 91 25	49 320 96
PA34VD30	PA3525, PA4225	8 pcs		87 505 76	673 91 26	49 320 97

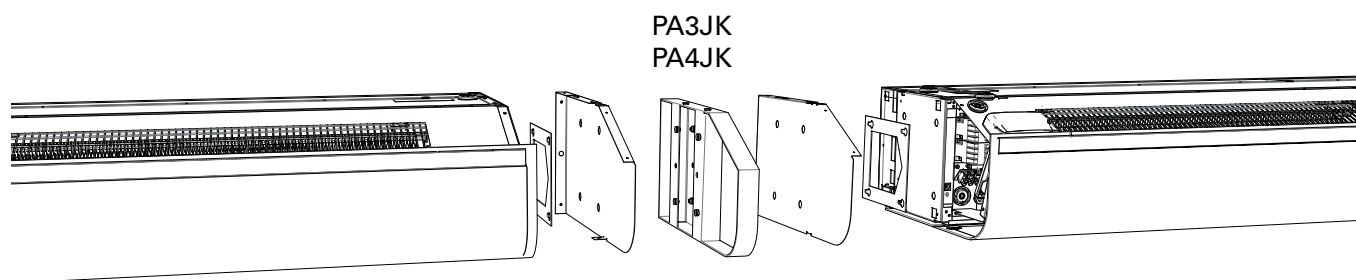


Fig. 9: See separate manual for PA3JK / PA4JK.

Type		E-nr (SE)	RSK-nr (SE)	EL-nr (NO)
PA3JK	PA3500	87 515 22	673 11 96	54 300 07
PA4JK	PA4200	87 515 23	673 11 97	54 300 08

Accessories

Type		Length	E-nr (SE)	RSK-nr (SE)
PA3XT10	PA3510	130-200 mm	87 505 42	673 91 00
PA3XT15	PA3515	130-200 mm	87 505 43	673 91 01
PA3XT20	PA3520	130-200 mm	87 505 44	673 91 02
PA3XT25	PA3525	130-200 mm	87 505 45	673 91 03
PA4XT10	PA4210	130-200 mm	87 505 46	673 91 04
PA4XT15	PA4215	130-200 mm	87 505 47	673 91 05
PA4XT20	PA4220	130-200 mm	87 505 48	673 91 06
PA4XT25	PA4225	130-200 mm	87 505 49	673 91 07

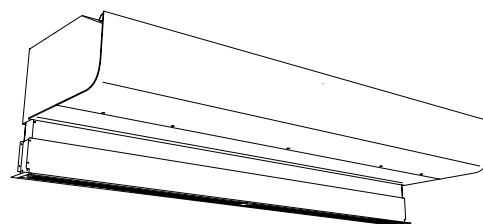
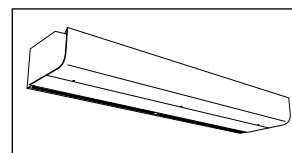
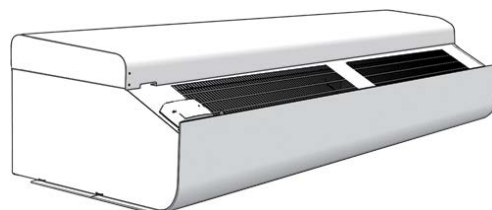


Fig. 10: See separate manual for PA3XT / PA4XT.

Type		Dimensions	E-nr (SE)	RSK-nr (SE)
PA3DW10	PA3510	87x382x1006 mm	87 505 77	673 91 27
PA3DW15	PA3515	87x382x1516 mm	87 505 78	673 91 28
PA3DW20	PA3520	87x382x2006 mm	87 505 79	673 91 29
PA3DW25	PA3525	87x382x2516 mm	87 505 80	673 91 30
PA4DW10	PA4210	87x424x1006 mm	87 505 81	673 91 31
PA4DW15	PA425	87x424x1516 mm	87 505 82	673 91 32
PA4DW20	PA4220	87x424x2006 mm	87 505 83	673 91 33
PA4DW25	PA4225	87x424x2516 mm	87 505 84	673 91 34



PA3DW
PA4DW

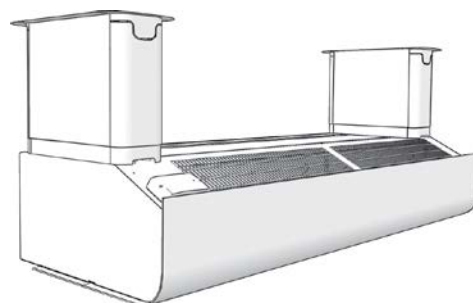


See separate manual for PA3DW/
PA4DW.

Type		Length	E-nr (SE)	RSK-nr (SE)
PA3DCS	PA3500	200-300 mm	87 505 60	673 91 08
PA3DCM	PA3500	300-500 mm	87 505 61	673 91 09
PA3DCL	PA3500	500-900 mm	87 505 62	673 91 10
PA3DXT	PA3500	420 mm	87 505 63	673 91 11
PA4DCS	PA4200	200-300 mm	87 505 64	673 91 12
PA4DCM	PA4200	300-500 mm	87 505 65	673 91 13
PA4DCL	PA4200	500-900 mm	87 505 66	673 91 14
PA4DXT	PA4200	420 mm	87 505 67	673 91 15



PA3DC
PA4DC



See separate manual for PA3DC /
PA4DC.

PA3510, PA4210: 2 pcs
 PA3515, PA4215: 2 pcs
 PA3520, PA4220: 3 pcs
 PA3525, PA4225: 4 pcs

Accessories

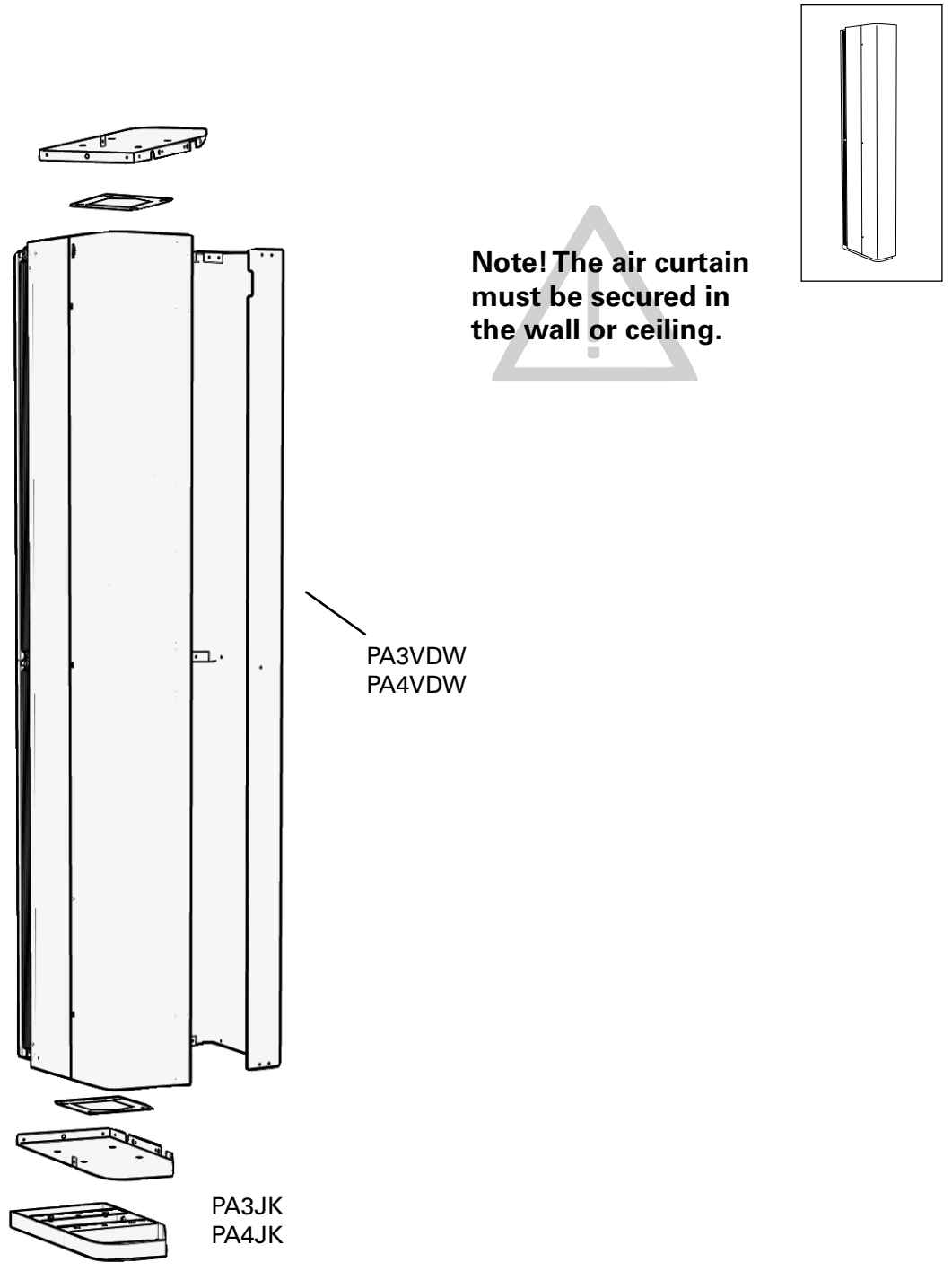
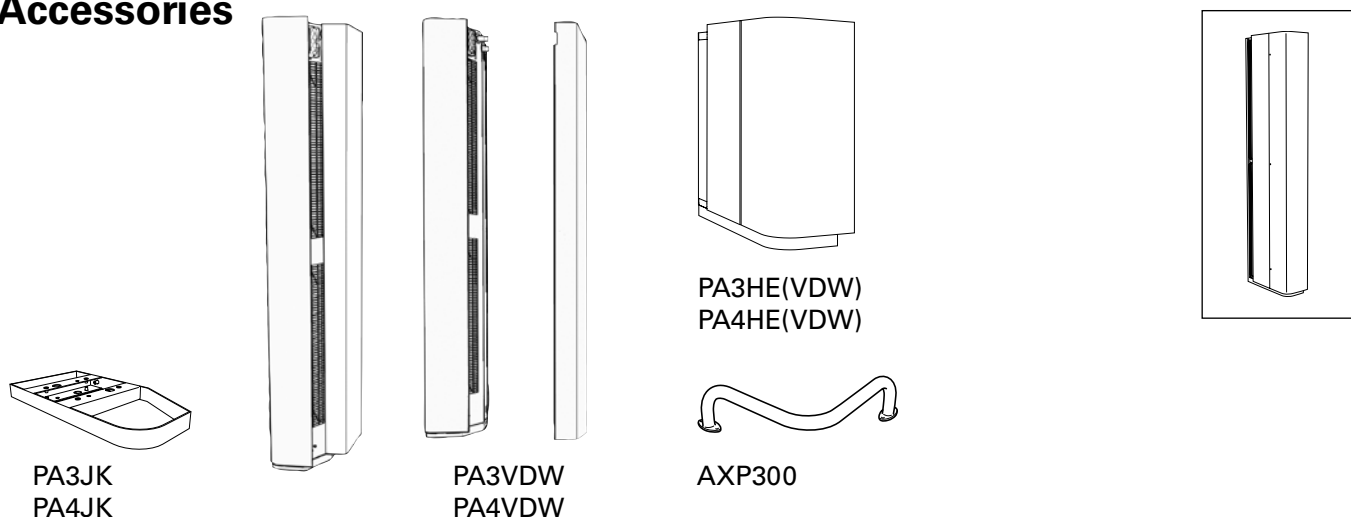
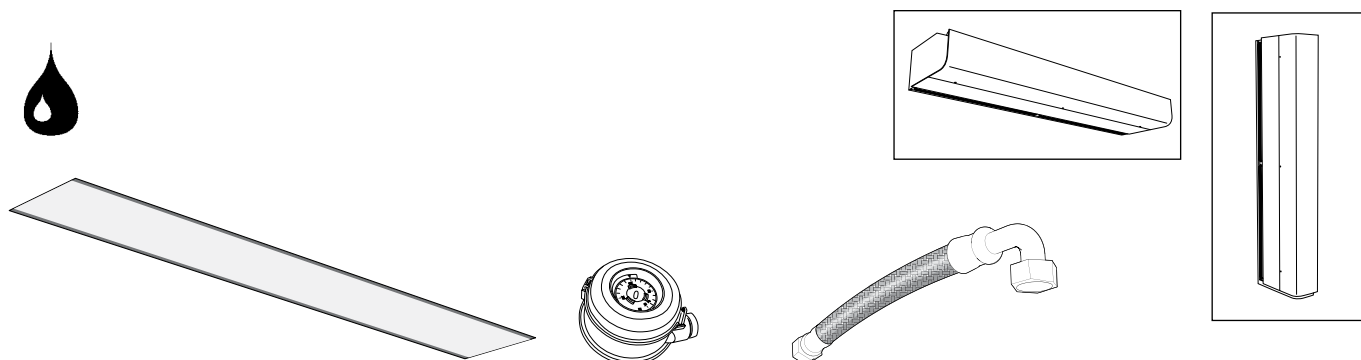


Fig. 11: See separate manual for PA3JK / PA4JK.

Accessories



Type		E-nr (SE)	RSK-nr (SE)	EL-nr (NO)	NRF-nr (NO)
PA3JK	PA3500	87 515 22	673 11 96	54 300 07	85 023 71
PA4JK	PA4200	87 515 23	673 11 97	54 300 08	85 023 72
PA3VDW15	PA3515	87 515 16	673 20 83	54 300 01	
PA3VDW20	PA3520	87 515 17	673 20 84	54 300 02	
PA3VDW25	PA3525	87 515 18	673 20 85	54 300 03	
PA4VDW15	PA4215	87 515 19	673 20 86	54 300 04	
PA4VDW20	PA4220	87 515 20	673 20 87	54 300 05	
PA4VDW25	PA4225	87 515 21	673 20 88	54 300 05	
PA3HE	PA3500				
PA4HE	PA4200				
PA3HEVDW	PA3500				
PA4HEVDW	PA4200				
AXP300	PA3500/4200	87 514 87	672 69 77		



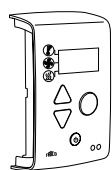
See separate manual for PA34EF.

DTV200S

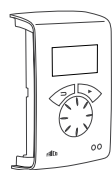
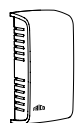
See separate manual for FHDN20.

Type		Length	RSK-nr (SE)
PA34EF10	PA3510W, PA4210W		673 20 95
PA34EF15	PA3515W, PA425W		673 20 96
PA34EF20	PA3520W, PA4220W		673 20 97
PA34EF25	PA3525W, PA4225W		673 20 98
DTV200S	PA3500/4200W		673 91 16
FHDN20	PA3500/4200W	350 mm	673 91 17
FHDN2010	PA3500/4200W	1000 mm	670 45 65

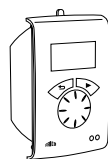
Accessories



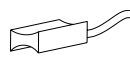
SIReBN

SIReACY
SIReAAY

SIReRTX



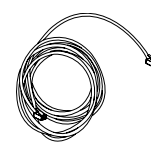
SIReUR



SIReWTA



SIReCJ4/SIReCJ6



SIReCC

Type	E-nr (SE)	RSK-nr (SE)	EL-nr (NO)	NRF-nr (NO)	Dimensions	Length
SIReBN	87 506 57	673 19 43	54 090 04	85 025 82		
SIReACY	87 506 61	673 21 00	54 090 08	85 025 85		
SIReAAY	87 506 62	673 24 06	54 090 09	85 025 86		
SIReRTX	87 510 12	673 09 22	54 910 01	85 022 94	70x33x23 mm	
SIReUR	87 510 11	673 09 21	49 325 00	85 022 93	114x70x50 mm	
SIReWTA		673 09 69				
SIReCJ4	87 510 33	673 09 70	54 910 02			
SIReCJ6	87 510 34	673 09 71		85 025 24		
SIReCC603	87 510 13	673 09 23	54 329 01	85 022 95		3 m
SIReCC605	87 510 14	673 09 24	54 329 02	85 022 96		5 m
SIReCC610	87 510 15	673 09 25	54 329 03	85 022 97		10 m
SIReCC615	87 510 16	673 09 26	54 329 04	85 022 98		15 m
SIReCC640	87 510 45	673 18 79				40 m
SIReCC403	87 510 17	673 09 27	54 329 05	85 022 99		3 m
SIReCC405	87 510 18	673 09 28	54 329 06	85 023 01		5 m
SIReCC410	87 510 19	673 09 29	54 329 07	85 023 02		10 m
SIReCC415	87 510 20	673 09 30	54 329 08	85 023 03		15 m



Type	RSK-nr (SE)	NRF-nr (NO)	Connection
VLSP15LF	670 45 35		DN15
VLSP15NF	670 45 36	85 026 36	DN15
VLSP20	670 45 37	85 026 37	DN20
VLSP25	670 45 38	85 026 38	DN25
VLSP32	670 45 39	85 026 39	DN32
VLP15LF	670 45 30	67 309 47	DN15
VLP15NF	670 45 31	85 026 31	DN15
VLP20	670 45 32	85 026 32	DN20
VLP25	670 45 33	85 026 33	DN25
VLP32	670 45 34	85 026 34	DN32
VOT15	673 61 93	85 024 05	DN15
VOT20	673 61 94	85 024 06	DN20
VOT25	673 61 95	85 024 07	DN25
VMT15			DN15
VMT20			DN20
VMT25			DN25

VLSP

VKF



SD230



BPV10

VLP

VKF



SDM24



ST23024

VOT



TRVS



SD230

VMT



TRVS

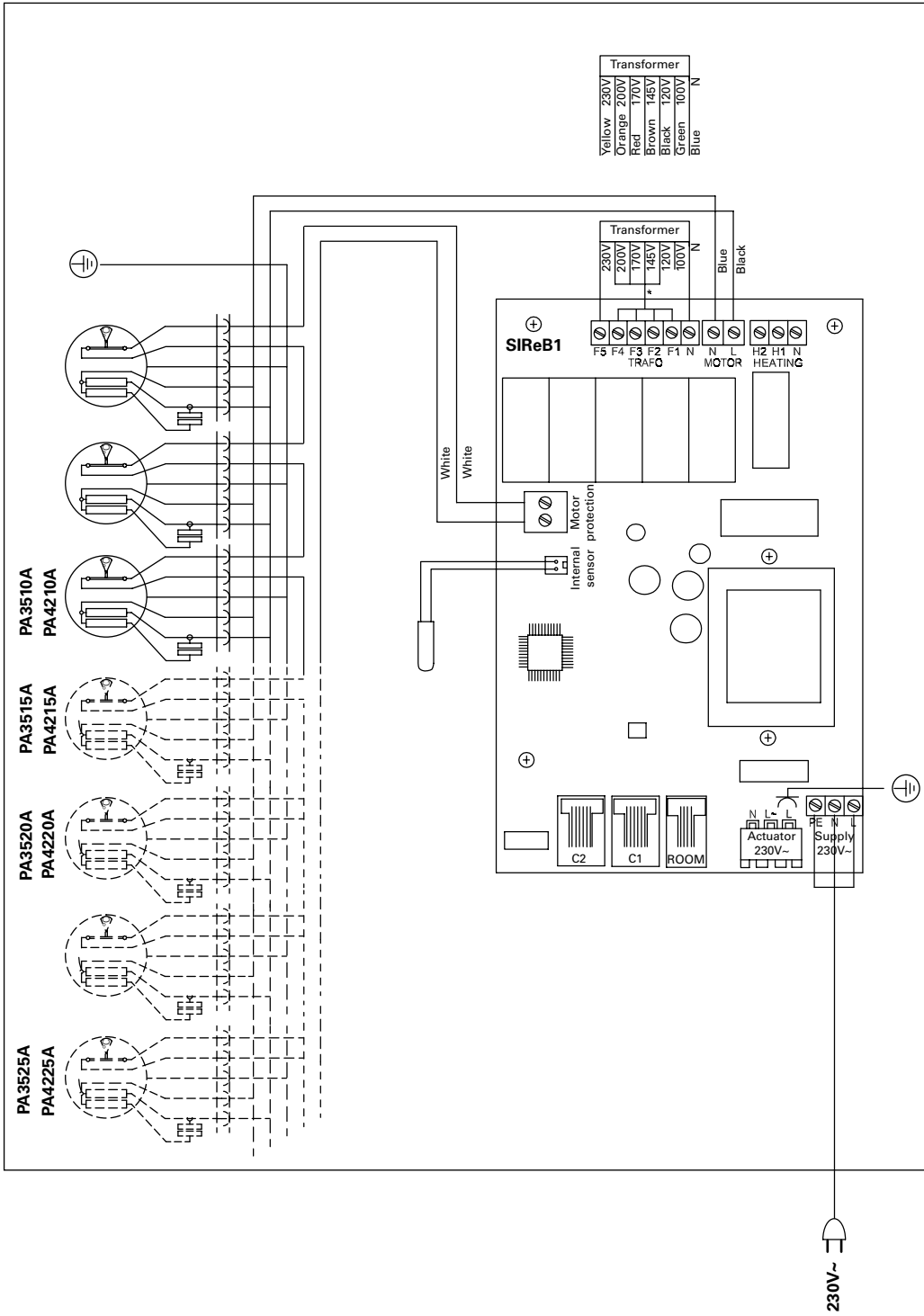


SDM24

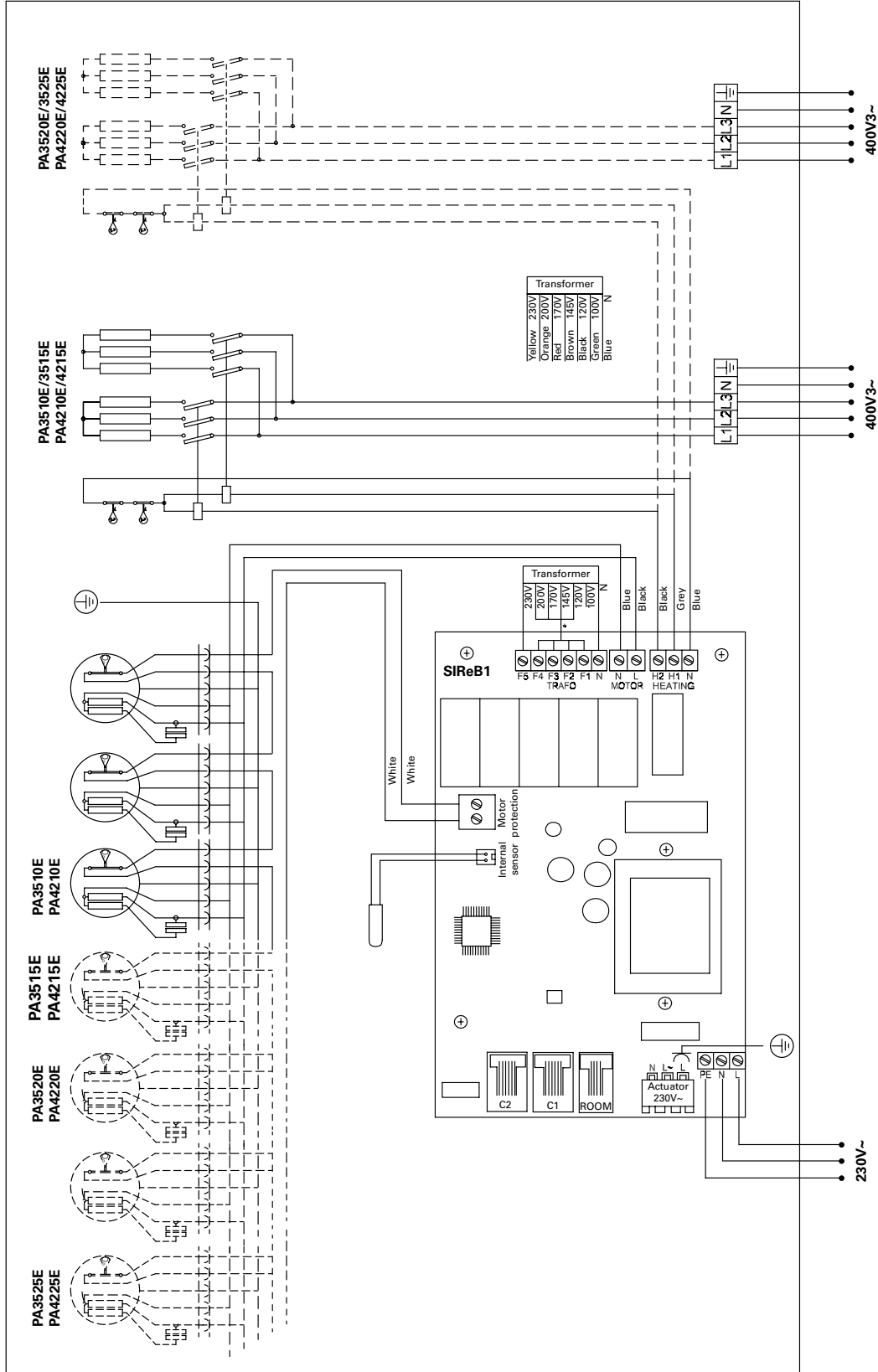


ST23024

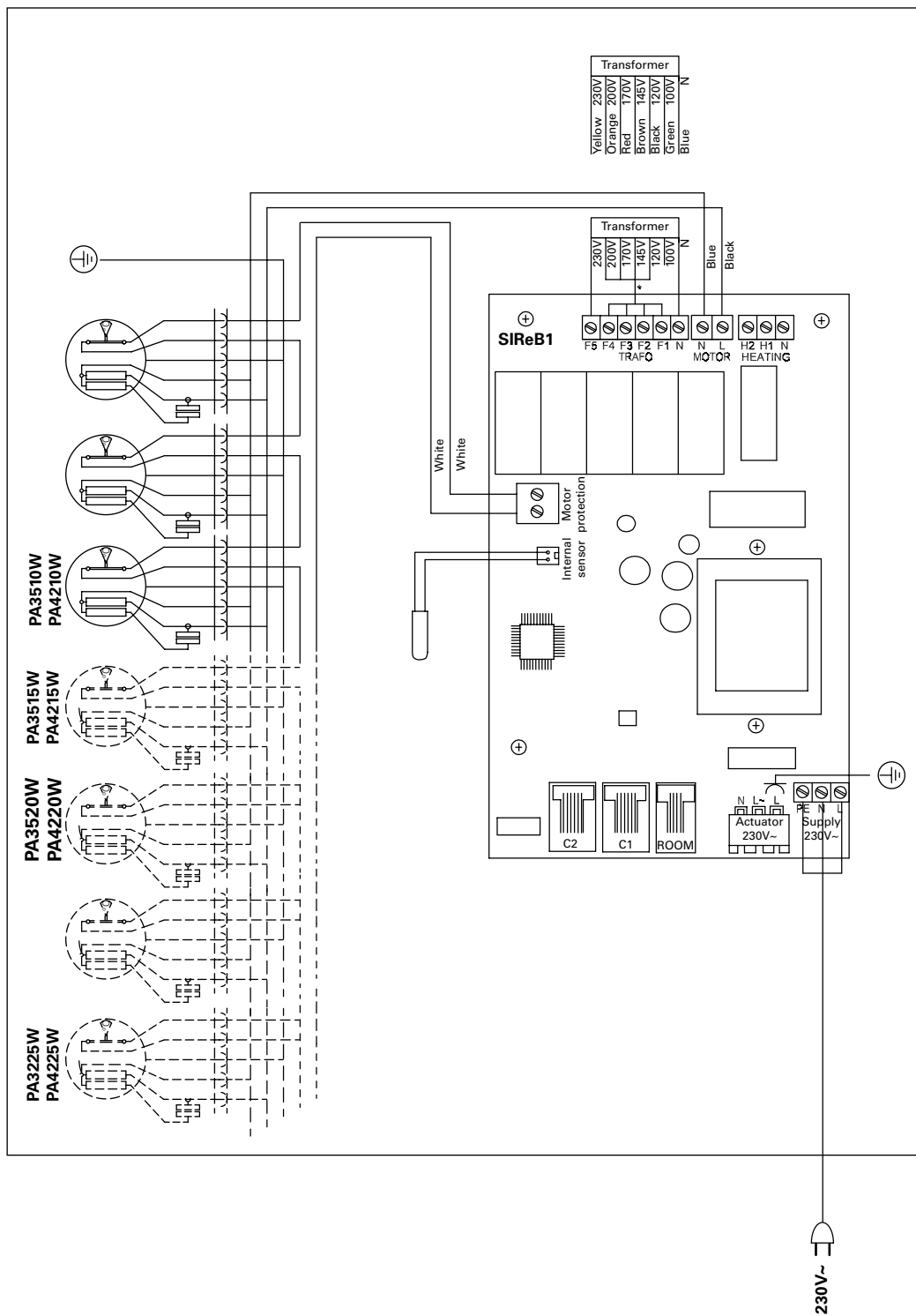
PA3500 A
PA4200 A



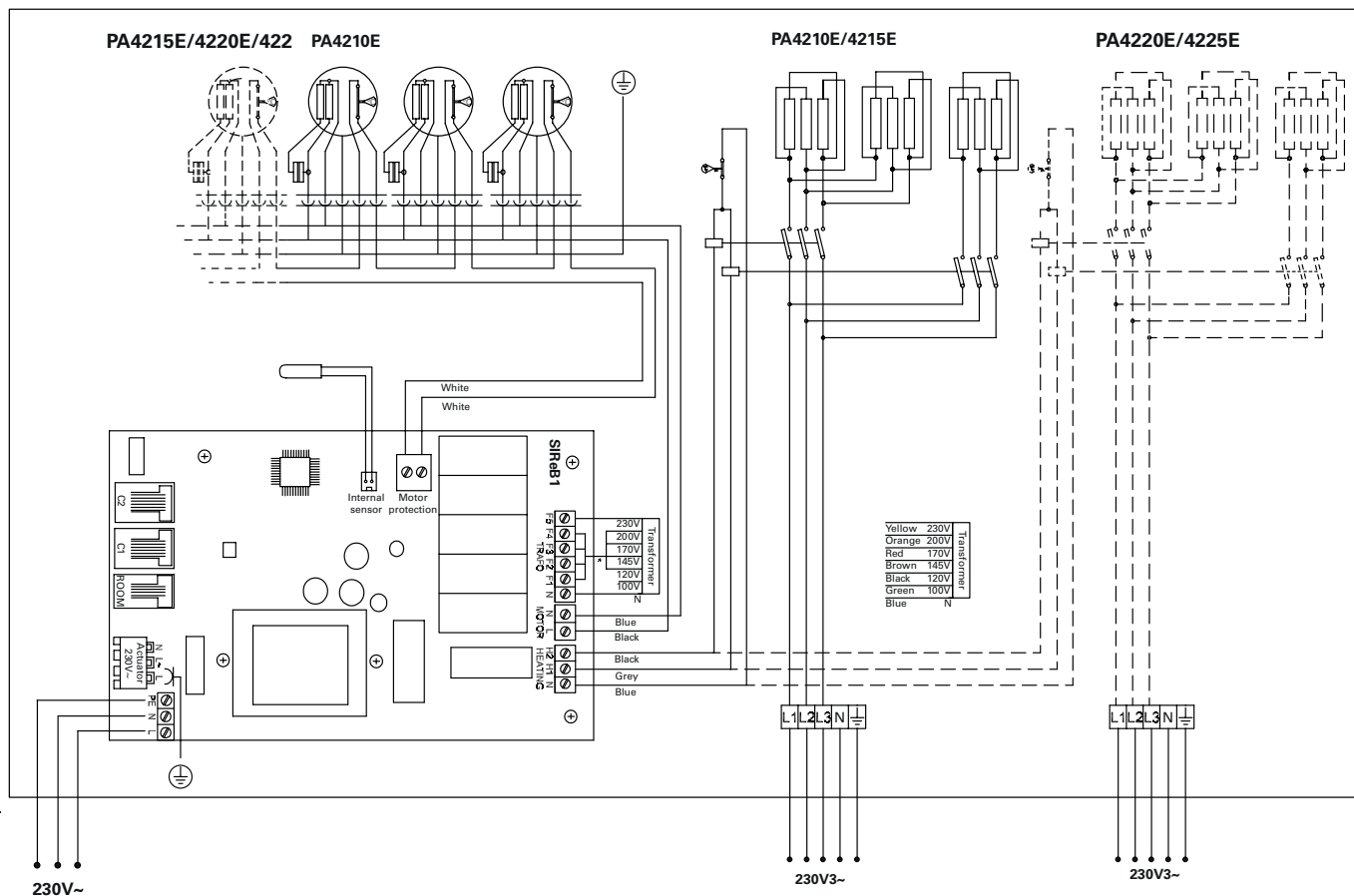
PA3500 E
PA4200 E



PA3500 W
PA4200 W



PA3500 E 230V3~
PA4200 E 230V3~



Type	Output step [kW]	Airflow*1 [m³/h]	Δt*3 [°C]	Sound level*2 [dB(A)]	Motor [W]	Voltage motor [V]	Amp. motor [A]	Voltage [V] Amperage [A] (heat)	Length [mm]	Weight [kg]
PA3510E08D	2,7/5,4/8,1	900/2000	27/12	41/61	580	230V~	2,6	230V3~/20,3	1039	44
PA3515E12D	3,9/7,8/12	1400/3100	26/12	42/62	880	230V~	3,9	230V3~/29,3	1549	63
PA3520E16D	5,4/11/16	1750/4000	28/12	43/63	1130	230V~	5,0	230V3~/40,5	2039	80
PA3525E20D	6,6/13/20	2400/5250	25/11,5	44/64	1500	230V~	6,5	230V3~/49,5	2549	104

Type	Output step [kW]	Airflow*1 [m³/h]	Δt*3 [°C]	Sound level*2 [dB(A)]	Motor [W]	Voltage motor [V]	Amp. motor [A]	Voltage [V] Amperage [A] (heat)	Length [mm]	Weight [kg]
PA4210E12D	3,9/7,8/12	950/2400	38/15	46/66	920	230V~	4,0	230V3~/30	1039	50
PA4215E18D	6,0/12/18	1300/3500	42/16	47/67	1260	230V~	5,5	230V3~/45	1549	71
PA4220E24D	7,8/15/23	1900/4800	37/14	48/68	1840	230V~	8,0	230V3~/60	2039	94
PA4225E30D	9,9/20/30	2300/5900	39/15	49/69	2140	230V~	9,3	230V3~/75	2549	113

*1) Lowest/highest airflow of totally 5 fan steps.

*2) Conditions: Distance to the unit 5 metres. Directional factor: 2. Equivalent absorption area: 200 m².

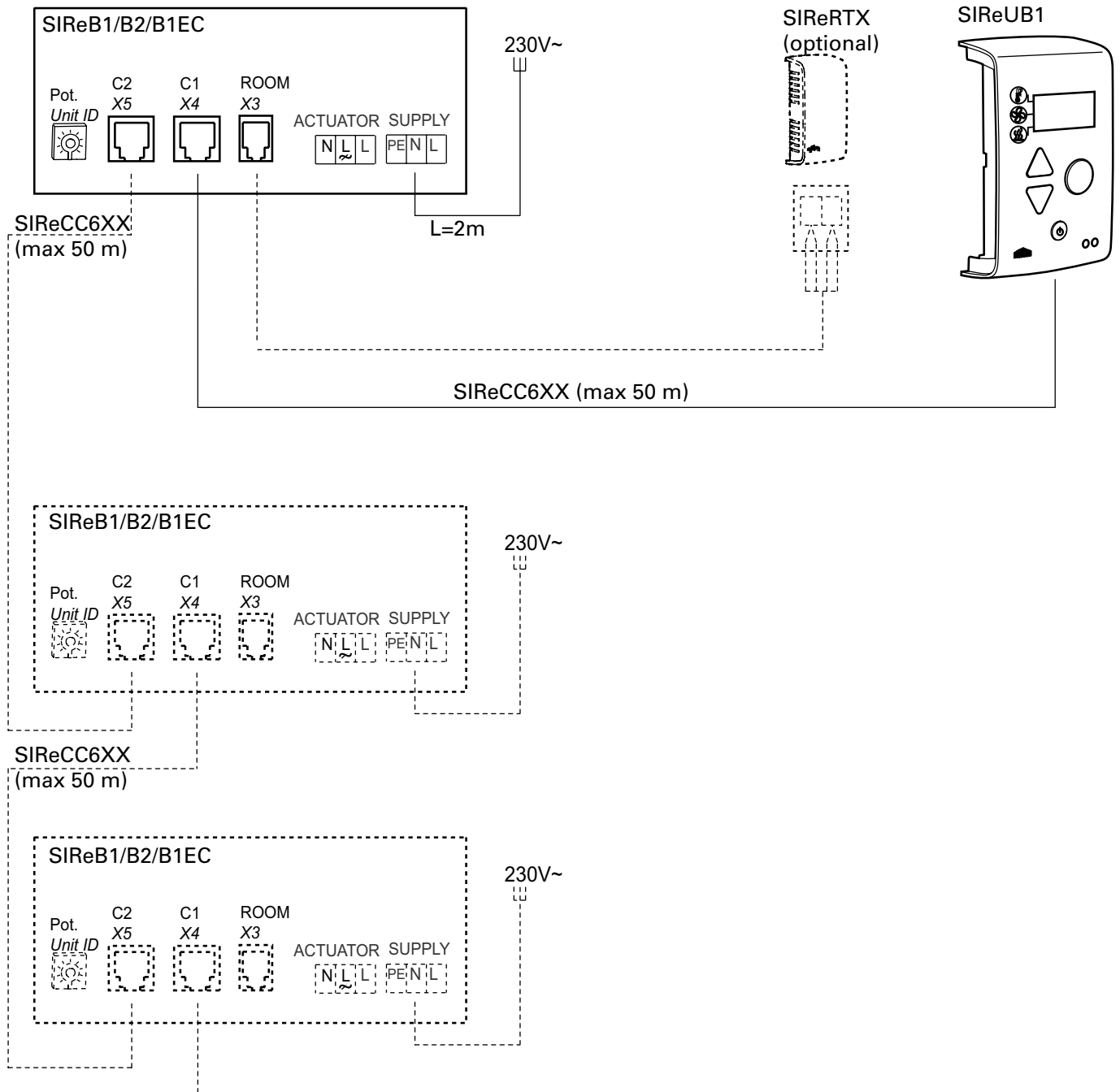
*3) Δt = temperature rise of passing air at maximum heat output and lowest/highest airflow.

Protection class for units with electrical heating: IP20.

CE compliant.

SIReB Basic

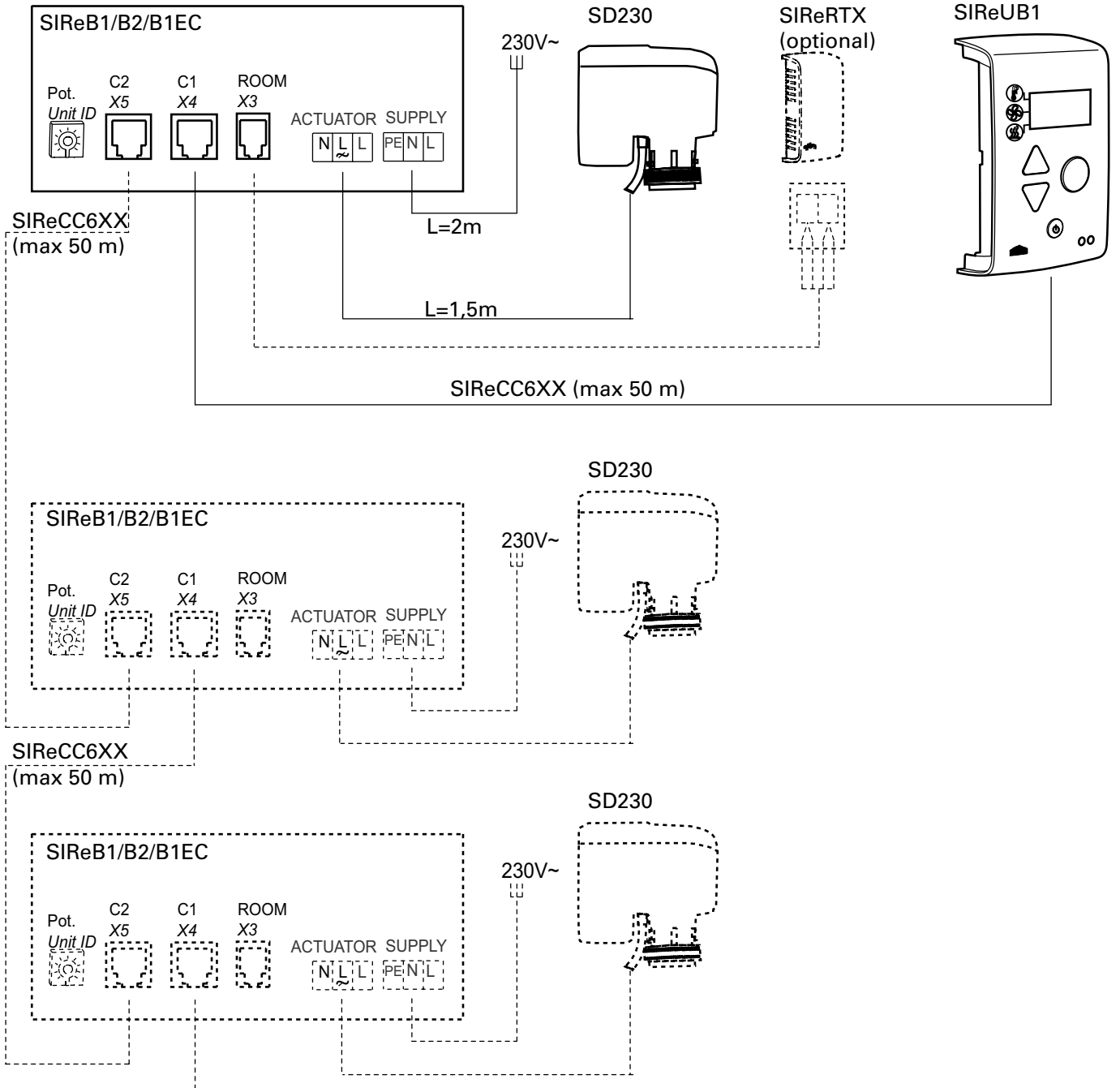
**PA3500/4200 A
PA3500/4200 E**



Wiring diagrams for SIReAC Competent, see manual for SIRe.

SIReB Basic

PA3500/4200 W



Wiring diagrams for SIReAC Competent and SIReAA Advanced, see manuals for SIRe.

Technical specifications PA3500

Voltage motor: 230V~

✦ Ambient, no heat - PA3500 A

Type	Output [kW]	Airflow* ¹ [m ³ /h]	Sound power* ² [dB(A)]	Sound pressure* ³ [dB(A)]	Motor [W]	Voltage motor [V]	Amperage motor [A]	Length [mm]	Weight [kg]
PA3510A	0	900/2000	78	41/61	580	230V~	2,6	1039	36
PA3515A	0	1400/3100	79	42/62	880	230V~	3,9	1549	50
PA3520A	0	1750/4000	79	43/63	1130	230V~	5,0	2039	65
PA3525A	0	2400/5250	80	44/64	1500	230V~	6,5	2549	79

ℓ Electrical heat - PA3500 E

Type	Output step [kW]	Airflow* ¹ [m ³ /h]	Δt * ⁴ [°C]	Sound power* ² [dB(A)]	Sound pressure* ³ [dB(A)]	Motor [W]	Amperage motor [A]	Voltage [V] Amperage [A] (heat)	Length [mm]	Weight [kg]
PA3510E08	2,7/5,4/8,1	900/2000	27/12	78	41/61	580	2,6	400V3~/11,7	1039	44
PA3515E12	3,9/7,8/12	1400/3100	26/12	79	42/62	880	3,9	400V3~/16,9	1549	63
PA3520E16	5,4/11/16	1750/4000	28/12	80	43/63	1130	5,0	400V3~/23,4	2039	80
PA3525E20	6,6/13/20	2400/5250	25/11,5	81	44/64	1500	6,5	400V3~/28,6	2549	104

♠ Water heat - PA3500 WL

Type	Output* ⁵ [kW]	Airflow* ¹ [m ³ /h]	Δt * ^{4,5} [°C]	Water volume [l]	Sound power* ² [dB(A)]	Sound pressure* ³ [dB(A)]	Motor [W]	Amperage motor [A]	Length [mm]	Weight [kg]
PA3510WL	12	950/1900	23/19	1,5	76	43/60	540	2,35	1039	43
PA3515WL	19	1350/2900	25/20	2,4	77	44/61	770	3,4	1549	60
PA3520WL	26	1800/3900	25/20	3,3	78	45/62	970	4,3	2039	75
PA3525WL	35	2300/5100	25/20	4,2	79	46/63	1310	5,7	2549	95

♠ Water heat - PA3500 WH

Type	Output* ⁶ [kW]	Airflow* ¹ [m ³ /h]	Δt * ^{4,6} [°C]	Water volume [l]	Sound power* ² [dB(A)]	Sound pressure* ³ [dB(A)]	Motor [W]	Amperage motor [A]	Length [mm]	Weight [kg]
PA3510WH	10	950/1900	21/16	1,0	76	43/60	540	2,35	1039	42
PA3515WH	16	1350/2900	22/17	1,6	77	44/61	770	3,4	1549	58
PA3520WH	23	1800/3900	23/17	2,2	78	45/62	970	4,3	2039	73
PA3525WH	29	2300/5100	23/17	2,9	79	46/63	1310	5,7	2549	92

♠ Water heat - PA3500 WLL

Type	Output* ⁷ [kW]	Airflow* ¹ [m ³ /h]	Δt * ^{4,7} [°C]	Water volume [l]	Sound power* ² [dB(A)]	Sound pressure* ³ [dB(A)]	Motor [W]	Amperage motor [A]	Length [mm]	Weight [kg]
PA3510WLL	7,6	900/1850	14/12	2,0	75	43/60	460	2,0	1039	44
PA3515WLL	11	1300/2750	14/12	4,1	76	44/61	740	3,25	1549	63
PA3520WLL	16	1700/3700	15/13	5,6	77	45/62	920	4,0	2039	78
PA3525WLL	21	2250/4900	15/13	8,3	78	46/63	1280	5,6	2549	100

*1) Lowest/highest airflow of totally 5 fan steps.

*2) Sound power (L_{WA}) measurements according to ISO 27327-2: 2014, Installation type E.

*3) Sound pressure (L_{pA}). Conditions: Distance to the unit 5 metres. Directional factor: 2. Equivalent absorption area: 200 m². At lowest/highest airflow.

*4) Δt = temperature rise of passing air at maximum heat output and lowest/highest airflow.

*5) Applicable at water temperature 60/40 °C, air temperature, in +18 °C.

*6) Applicable at water temperature 80/60 °C, air temperature, in +18 °C.

*7) Applicable at water temperature 40/30 °C, air temperature, in +18 °C.

Protection class for units with electrical heating: IP20.

Protection class for units without heating and units with water heating: IP21.

CE compliant.

Technical specifications PA4200

Voltage motor: 230V~

✦ Ambient, no heat - PA4200 A

Type	Output [kW]	Airflow* ¹ [m ³ /h]	Sound power* ² [dB(A)]	Sound pressure* ³ [dB(A)]	Motor [W]	Voltage motor [V]	Amperage motor [A]	Length [mm]	Weight [kg]
PA4210A	0	950/2400	82	46/66	920	230V~	4,0	1039	43
PA4215A	0	1300/3500	83	47/67	1260	230V~	5,5	1549	56
PA4220A	0	1900/4800	84	48/68	1840	230V~	8,0	2039	75
PA4225A	0	2300/5900	85	49/69	2140	230V~	9,3	2549	91

⚡ Electrical heat - PA4200 E

Type	Output step [kW]	Airflow* ¹ [m ³ /h]	Δt * ⁴ [°C]	Sound power* ² [dB(A)]	Sound pressure* ³ [dB(A)]	Motor [W]	Amperage motor [A]	Voltage [V] Amperage [A] (heat)	Length [mm]	Weight [kg]
PA4210E12	3,9/7,8/12	950/2400	38/15	82	46/66	920	4,0	400V3~/16,9	1039	50
PA4215E18	6,0/12/18	1300/3500	42/16	83	47/67	1260	5,5	400V3~/26,0	1549	71
PA4220E24	7,8/15/23	1900/4800	37/14	84	48/68	1840	8,0	400V3~/33,8	2039	94
PA4225E30	9,9/20/30	2300/5900	39/15	85	49/69	2140	9,3	400V3~/42,9	2549	113

💧 Water heat - PA4200 WL

Type	Output* ⁵ [kW]	Airflow* ¹ [m ³ /h]	Δt * ^{4,5} [°C]	Water volume [l]	Sound power* ² [dB(A)]	Sound pressure* ³ [dB(A)]	Motor [W]	Amperage motor [A]	Length [mm]	Weight [kg]
PA4210WL	16	1050/2600	25/18	1,9	80	44/64	920	4,0	1039	50
PA4215WL	25	1600/3800	25/19	3,0	81	45/65	1330	5,8	1549	67
PA4220WL	35	2200/5300	25/19	4,1	82	46/66	1930	8,4	2039	90
PA4225WL	44	2800/6400	26/20	5,2	83	47/67	2280	9,9	2549	109

💧 Water heat - PA4200 WH

Type	Output* ⁶ [kW]	Airflow* ¹ [m ³ /h]	Δt * ^{4,6} [°C]	Water volume [l]	Sound power* ² [dB(A)]	Sound pressure* ³ [dB(A)]	Motor [W]	Amperage motor [A]	Length [mm]	Weight [kg]
PA4210WH	14	1050/2600	22/16	1,3	80	44/64	920	4,0	1039	49
PA4215WH	21	1600/3800	22/16	2,0	81	45/65	1330	5,8	1549	65
PA4220WH	30	2200/5300	23/17	2,7	82	46/66	1930	8,4	2039	87
PA4225WH	36	2800/6400	22/16	3,8	83	47/67	2280	9,9	2549	105

💧 Water heat - PA4200 WLL

Type	Output* ⁷ [kW]	Airflow* ¹ [m ³ /h]	Δt * ^{4,7} [°C]	Water volume [l]	Sound power* ² [dB(A)]	Sound pressure* ³ [dB(A)]	Motor [W]	Amperage motor [A]	Length [mm]	Weight [kg]
PA4210WLL	10	1000/2500	15/12	2,5	80	44/64	920	4,0	1039	52
PA4215WLL	15	1500/3600	15/13	4,7	81	45/65	1330	5,8	1549	70
PA4220WLL	21	2100/5200	15/12	7,5	82	46/66	1930	8,4	2039	95
PA4225WLL	26	2700/6200	15/12	9,6	83	47/67	2280	9,9	2549	115

*¹) Lowest/highest airflow of totally 5 fan steps.

*²) Sound power (L_{WA}) measurements according to ISO 27327-2: 2014, Installation type E.

*³) Sound pressure (L_{pA}). Conditions: Distance to the unit 5 metres. Directional factor: 2. Equivalent absorption area: 200 m². At lowest/highest airflow.

*⁴) Δt = temperature rise of passing air at maximum heat output and lowest/highest airflow.

*⁵) Applicable at water temperature 60/40 °C, air temperature, in +18 °C.

*⁶) Applicable at water temperature 80/60 °C, air temperature, in +18 °C.

*⁷) Applicable at water temperature 40/30 °C, air temperature, in +18 °C.

Protection class for units with electrical heating: IP20.

Protection class for units without heating and units with water heating: IP21.

CE compliant.

Output charts water PA3500 WH

			Supply water temperature: 110 °C Room temperature: +18 °C Outlet air temperature: +35 °C*1				Water temperature: 110/80 °C Room temperature: +18 °C			
Type	Fan position	Airflow [m³/h]	Output [kW]	Return water temp. [°C]	Water flow [l/s]	Pressure drop [kPA]	Output*2 [kW]	Outlet air temp. [°C]	Water flow [l/s]	Pressure drop [kPA]
PA3510WH	max	1900	11,1	53	0,05	1,9	15,8	42,4	0,13	10,8
	min	950	5,6	42	0,02	0,4	10,3	49,8	0,085	5
PA3515WH	max	2900	16,8	53	0,07	1	24,6	42,9	0,02	6,4
	min	1350	8	43	0,03	0,2	15,3	51,2	0,13	2,7
PA3520WH	max	3900	23	50	0,09	2	34,1	43,6	0,3	14
	min	1800	10,4	37	0,03	0,4	21	52,2	0,2	5,8
PA3525WH	max	5100	29,1	50	0,12	1,2	43,9	43,2	0,36	8,6
	min	2300	13,7	40	0,05	0,3	26,7	52	0,22	3,5
			Supply water temperature: 90 °C Room temperature: +18 °C Outlet air temperature: +35 °C*1				Water temperature: 90/70 °C Room temperature: +18 °C			
Type	Fan position	Airflow [m³/h]	Output [kW]	Return water temp. [°C]	Water flow [l/s]	Pressure drop [kPA]	Output*2 [kW]	Outlet air temp. [°C]	Water flow [l/s]	Pressure drop [kPA]
PA3510WH	max	1900	11,0	58	0,09	5,3	12,9	37,9	0,16	15,9
	min	950	5,5	45	0,03	0,9	8,4	43,8	0,1	7,3
PA3515WH	max	2900	16,9	58	0,13	3,1	20	38,2	0,25	9,4
	min	1350	7,9	45	0,04	0,4	12,4	44,9	0,15	4
PA3520WH	max	3900	22	54	0,15	4,8	27,7	38,8	0,34	20,6
	min	1800	10,2	41	0,05	0,7	17	45,7	0,21	8,5
PA3525WH	max	5100	30,3	58	0,24	4,2	35,7	38,5	0,44	12,6
	min	2300	13,4	43	0,07	0,5	21,6	45,6	0,27	5,1
			Supply water temperature: 80 °C Room temperature: +18 °C Outlet air temperature: +35 °C*1				Water temperature: 80/60 °C Room temperature: +18 °C			
Type	Fan position	Airflow [m³/h]	Output [kW]	Return water temp. [°C]	Water flow [l/s]	Pressure drop [kPA]	Output*2 [kW]	Outlet air temp. [°C]	Water flow [l/s]	Pressure drop [kPA]
PA3510WH	max	1900	10,8	61	0,14	13,3	10,6	34,3	0,13	11,4
	min	950	5,5	48	0,04	1,6	6,9	39,2	0,08	5,3
PA3515WH	max	2900	16,7	61	0,22	7,8	16,4	34,6	0,2	6,7
	min	1350	7,6	46	0,05	0,7	10,2	40,1	0,12	2,8
PA3520WH	max	3900	23,2	61	0,3	17,1	22,8	35,1	0,28	14,7
	min	1800	10,4	44	0,07	1,3	10,4	40,8	0,17	6,1
PA3525WH	max	5100	29,9	61	0,39	10,5	29,3	34,8	0,36	9
	min	2300	13,6	46	0,1	0,9	17,8	40,7	0,22	3,7
			Supply water temperature: 82 °C Room temperature: +18 °C Outlet air temperature: +35 °C*1				Water temperature: 82/71 °C Room temperature: +18 °C			
Type	Fan position	Airflow [m³/h]	Output [kW]	Return water temp. [°C]	Water flow [l/s]	Pressure drop [kPA]	Output*2 [kW]	Outlet air temp. [°C]	Water flow [l/s]	Pressure drop [kPA]
PA3510WH	max	1900	11,0	62,0	0,14	12,3	12,5	37,3	0,28	44,9
	min	950	5,4	46	0,04	1,2	8,1	43	0,18	20,5
PA3515WH	max	2900	17,1	62	0,21	7,2	19,5	37,7	0,43	27,1
	min	1350	7,7	46	0,05	0,6	12,1	44,2	0,27	11,2
PA3520WH	max	3900	22,4	58	0,23	10,3	26,8	38,2	0,6	58,5
	min	1800	10,6	44	0,07	1,2	16,5	44,8	0,37	23,9
PA3525WH	max	5100	28,7	58	0,3	6,3	34,6	37,9	0,78	35,9
	min	2300	13,1	44	0,08	0,7	21	44,7	0,47	14,3

*1) Recommended outlet air temperature for good comfort and optimized output.

*2) Nominal output at given supply and return water temperature.

See www.frico.se for additional calculations.

Output charts water PA3500 WL

			Supply water temperature: 80 °C Room temperature: +18 °C Outlet air temperature: +35 °C*1				Water temperature: 80/60 °C Room temperature: +18 °C			
Type	Fan position	Airflow [m³/h]	Output [kW]	Return water temp. [°C]	Water flow [l/s]	Pressure drop [kPA]	Output*2 [kW]	Outlet air temp. [°C]	Water flow [l/s]	Pressure drop [kPA]
PA3510WL	max	1900	11,3	33	0,06	1,5	21,1	50,6	0,26	20,4
	min	950	5,6	29	0,03	0,4	13	58,2	0,16	8,5
PA3515WL	max	2900	16,9	30	0,08	1,9	33,5	51,9	0,4	32,8
	min	1350	8	27	0,04	0,5	19,4	60,2	0,24	12,2
PA3520WL	max	3900	23,2	31	0,11	1,4	45,3	52	0,55	22,8
	min	1800	10,6	28	0,05	0,3	26	60,3	0,32	8,4
PA3525WL	max	5100	30	29	0,14	2,5	59,7	52,3	0,73	45
	min	2300	13,2	25	0,06	0,5	33,7	60,9	0,41	15,9

			Supply water temperature: 70 °C Room temperature: +18 °C Outlet air temperature: +35 °C*1				Water temperature: 70/50 °C Room temperature: +18 °C			
Type	Fan position	Airflow [m³/h]	Output [kW]	Return water temp. [°C]	Water flow [l/s]	Pressure drop [kPA]	Output*2 [kW]	Outlet air temp. [°C]	Water flow [l/s]	Pressure drop [kPA]
PA3510WL	max	1900	11,3	35	0,08	2,5	16,7	43,7	0,2	13,6
	min	950	5,5	30	0,03	0,6	10,3	49,8	0,13	5,8
PA3515WL	max	2900	16,6	32	0,1	3	26,6	44,9	0,32	22
	min	1350	7,8	28	0,05	0,7	15,5	51,6	0,19	8,3
PA3520WL	max	3900	22	32	0,14	2,1	35,8	44,9	0,44	15,3
	min	1800	10,5	28	0,06	0,5	20,7	51,7	0,25	5,7
PA3525WL	max	5100	29,5	31	0,18	4	47,4	45,3	0,58	30,3
	min	2300	13,2	26	0,07	0,8	26,9	52,3	0,33	11

			Supply water temperature: 60 °C Room temperature: +18 °C Outlet air temperature: +35 °C*1				Water temperature: 60/40 °C Room temperature: +18 °C			
Type	Fan position	Airflow [m³/h]	Output [kW]	Return water temp. [°C]	Water flow [l/s]	Pressure drop [kPA]	Output*2 [kW]	Outlet air temp. [°C]	Water flow [l/s]	Pressure drop [kPA]
PA3510WL	max	1900	11,2	37	0,12	5,6	12,1	36,7	0,15	7,9
	min	950	5,5	31	0,05	1,1	7,6	41,3	0,09	3,4
PA3515WL	max	2900	16,8	35	0,16	6,6	19,5	37,7	0,24	13
	min	1350	8	30	0,06	1,3	11,5	42,9	0,14	5
PA3520WL	max	3900	22,4	35	0,22	4,5	26,2	37,7	0,32	9
	min	1800	10,3	30	0,08	0,8	15,3	42,9	0,19	3,4
PA3525WL	max	5100	30,4	35	0,29	9,3	35	38,1	0,42	18,1
	min	2300	13,5	28	0,1	1,5	20	43,5	0,24	6,7

			Supply water temperature: 55 °C Room temperature: +18 °C Outlet air temperature: +35 °C*1				Water temperature: 55/35 °C Room temperature: +18 °C			
Type	Fan position	Airflow [m³/h]	Output [kW]	Return water temp. [°C]	Water flow [l/s]	Pressure drop [kPA]	Output*2 [kW]	Outlet air temp. [°C]	Water flow [l/s]	Pressure drop [kPA]
PA3510WL	max	1900	11,2	39	0,18	10,7	9,8	33,1	0,12	5,5
	min	950	5,5	32	0,06	1,7	6,1	36,8	0,07	2,4
PA3515WL	max	2900	16,9	37	0,23	12,3	15,9	34,1	0,19	9,1
	min	1350	7,8	30	0,08	1,8	9,4	38,3	0,11	3,6
PA3520WL	max	3900	22,7	37	0,3	8,5	21,3	34	0,26	6,3
	min	1800	10,2	30	0,1	1,2	12,4	38,3	0,15	2,4
PA3525WL	max	5100	30,4	37	0,4	17,2	28,7	34,5	0,35	12,8
	min	2300	13,2	29	0,12	2,1	16,5	39	0,2	4,8

*1) Recommended outlet air temperature for good comfort and optimized output.

*2) Nominal output at given supply and return water temperature.

See www.frico.se for additional calculations.

Output charts water PA3500 WLL

			Supply water temperature: 55 °C Room temperature: +18 °C Outlet air temperature: +32 °C				Water temperature: 55/35 °C Room temperature: +18 °C			
Type	Fan position	Airflow [m³/h]	Output [kW]	Return water temp. [°C]	Water flow [l/s]	Pressure drop [kPA]	Output* [kW]	Outlet air temp. [°C]	Water flow [l/s]	Pressure drop [kPA]
PA3510WLL	max	1850	8,9	29,0	0,08	1,7	11,8	36,7	0,08	1,7
	min	900	4,4	28	0,04	0,5	6,9	40,5	0,04	0,5
PA3515WLL	max	2750	13,5	30	0,13	1	17,4	36,5	0,21	2,2
	min	1300	5,8	31	0,06	0,2	9,7	40,1	0,18	0,8
PA3520WLL	max	3700	17,7	27	0,16	1,6	17,7	38	0,3	5,1
	min	1700	8,2	27	0,07	0,4	8,2	42	0,17	1,8
PA3525WLL	max	4900	23,5	28	0,21	1,6	32,7	37,6	0,4	4,8
	min	2250	11	28	0,1	0,4	18,1	41,6	0,22	1,7
			Supply water temperature: 50 °C Room temperature: +18 °C Outlet air temperature: +32 °C				Water temperature: 50/30 °C Room temperature: +18 °C			
Type	Fan position	Airflow [m³/h]	Output [kW]	Return water temp. [°C]	Water flow [l/s]	Pressure drop [kPA]	Output* [kW]	Outlet air temp. [°C]	Water flow [l/s]	Pressure drop [kPA]
PA3510WLL	max	1850	9,0	30	0,11	2,7	8,9	32	0,11	2,6
	min	900	4,3	28	0,05	0,6	5,1	34,7	0,06	1
PA3515WLL	max	2750	12,9	30	0,16	1,3	12,7	31,5	0,15	1,3
	min	1300	6,2	30	0,07	0,4	6,5	32,8	0,08	0,4
PA3520WLL	max	3700	17,6	28	0,2	2,4	19,2	33,2	0,23	3,2
	min	1700	8,4	27	0,09	0,6	10,6	36,2	0,13	1,2
PA3525WLL	max	4900	22,6	28	0,25	2,2	24,8	32,8	0,3	3
	min	2250	10,9	27	0,12	0,6	13,6	35,8	0,16	1
			Supply water temperature: 45 °C Room temperature: +18 °C Outlet air temperature: +32 °C				Water temperature: 45/35 °C Room temperature: +18 °C			
Type	Fan position	Airflow [m³/h]	Output [kW]	Return water temp. [°C]	Water flow [l/s]	Pressure drop [kPA]	Output* [kW]	Outlet air temp. [°C]	Water flow [l/s]	Pressure drop [kPA]
PA3510WLL	max	1850	9,1	32,0	0,17	5,9	10,2	34,2	0,25	11,4
	min	900	4,4	29	0,07	1,2	5,9	37,2	0,14	4,4
PA3515WLL	max	2750	13,5	32	0,25	3	15,4	34,4	0,37	6
	min	1300	6,3	30	0,1	0,6	8,5	37,5	0,2	2,1
PA3520WLL	max	3700	18,1	30	0,3	5,1	21,6	35,1	0,52	13,6
	min	1700	8,1	27	0,11	0,9	11,8	38,3	0,29	4,7
PA3525WLL	max	4900	23,4	30	0,39	4,7	28,2	34,9	0,68	12,8
	min	2250	11,1	28	0,16	1	15,4	38,1	0,37	4,4
			Supply water temperature: 40 °C Room temperature: +18 °C Outlet air temperature: +32 °C				Water temperature: 40/30 °C Room temperature: +18 °C			
Type	Fan position	Airflow [m³/h]	Output [kW]	Return water temp. [°C]	Water flow [l/s]	Pressure drop [kPA]	Output* [kW]	Outlet air temp. [°C]	Water flow [l/s]	Pressure drop [kPA]
PA3510WLL	max	1850	8,9	34	0,35	21,0	7,6	30	0,18	6,9
	min	900	4,4	30	0,11	2,7	4,4	32,4	0,11	2,7
PA3515WLL	max	2750	12,8	32	0,41	7,4	11,3	30	0,27	3,5
	min	1300	6,2	30	0,15	1,2	6,2	32,2	0,15	1,2
PA3520WLL	max	3700	17,9	32	0,58	16,6	16,1	30,8	0,39	8,3
	min	1700	8,3	29	0,18	2,1	8,9	33,3	0,21	2,9
PA3525WLL	max	4900	23,4	32	0,75	15,6	21	30,6	0,51	7,7
	min	2250	10,7	29	0,23	1,9	11,6	33,1	0,28	2,7

*1) Recommended outlet air temperature for good comfort and optimized output.

*2) Nominal output at given supply and return water temperature.

See www.frico.se for additional calculations.

Output charts water PA4200 WH

			Supply water temperature: 110 °C Room temperature: +18 °C Outlet air temperature: +35 °C*1				Water temperature: 110/80 °C Room temperature: +18 °C			
Type	Fan position	Airflow [m³/h]	Output [kW]	Return water temp. [°C]	Water flow [l/s]	Pressure drop [kPA]	Output*2 [kW]	Outlet air temp. [°C]	Water flow [l/s]	Pressure drop [kPA]
PA4210WH	max	2600	15,1	53	0,06	3,9	21,2	41,9	0,17	22,1
	min	1050	6,1	37	0,02	0,5	12,1	51,6	0,10	8
PA4215WH	max	3800	21,7	53	0,09	1,2	31,7	42,4	0,26	7,6
	min	1600	9,1	42	0,03	0,2	18,5	51,8	0,15	2,8
PA4220WH	max	5300	30,2	50	0,12	2,4	44,9	42,8	0,37	17,1
	min	2200	12,7	37	0,04	0,4	25,9	52,5	0,21	6,3
PA4225WH	max	6400	36,2	53	0,16	0,6	54	42,7	0,44	4
	min	2800	16,3	44	0,06	0,1	32,2	51,7	0,27	1,6
			Supply water temperature: 90 °C Room temperature: +18 °C Outlet air temperature: +35 °C*1				Water temperature: 90/70 °C Room temperature: +18 °C			
Type	Fan position	Airflow [m³/h]	Output [kW]	Return water temp. [°C]	Water flow [l/s]	Pressure drop [kPA]	Output*2 [kW]	Outlet air temp. [°C]	Water flow [l/s]	Pressure drop [kPA]
PA4210WH	max	2600	14,7	58	0,11	11,0	17,2	37,4	0,21	32,4
	min	1050	6,0	41	0,03	1,1	9,8	45,3	0,12	11,7
PA4215WH	max	3800	21,7	58	0,17	3,6	25,7	37,9	0,32	11,3
	min	1600	9,5	45	0,05	0,4	15	45,4	0,18	4,2
PA4220WH	max	5300	31,1	58	0,24	8,3	36,4	38,1	0,45	25,1
	min	2200	12,6	41	0,06	0,8	21	45,9	0,26	9,2
PA4225WH	max	6400	36,8	58	0,29	1,9	43,9	38,1	0,54	6
	min	2800	15,9	45	0,09	0,2	26,1	45,4	0,32	2,3
			Supply water temperature: 80 °C Room temperature: +18 °C Outlet air temperature: +35 °C*1				Water temperature: 80/60 °C Room temperature: +18 °C			
Type	Fan position	Airflow [m³/h]	Output [kW]	Return water temp. [°C]	Water flow [l/s]	Pressure drop [kPA]	Output*2 [kW]	Outlet air temp. [°C]	Water flow [l/s]	Pressure drop [kPA]
PA4210WH	max	2600	15,2	65	0,25	44,5	14,2	34	0,17	23,4
	min	1050	6,0	44	0,04	1,9	8,1	40,5	0,10	8,5
PA4215WH	max	3800	21,5	61	0,28	9,3	21,1	34,3	0,26	8
	min	1600	9,2	46	0,07	0,7	12,3	40,5	0,15	3
PA4220WH	max	5300	30,5	61	0,40	20,9	30	34,6	0,37	18
	min	2200	12,8	44	0,09	1,4	17,3	41	0,21	6,6
PA4225WH	max	6400	36,7	61	0,48	4,9	35,9	34,4	0,44	4,2
	min	2800	16,6	48	0,13	0,5	21,4	40,4	0,26	1,7
			Supply water temperature: 82 °C Room temperature: +18 °C Outlet air temperature: +35 °C*1				Water temperature: 82/71 °C Room temperature: +18 °C			
Type	Fan position	Airflow [m³/h]	Output [kW]	Return water temp. [°C]	Water flow [l/s]	Pressure drop [kPA]	Output*2 [kW]	Outlet air temp. [°C]	Water flow [l/s]	Pressure drop [kPA]
PA4210WH	max	2600	14,8	62	0,18	25,1	16,6	36,7	0,37	91,4
	min	1050	6,1	44	0,04	1,8	9,4	44,3	0,21	32,5
PA4215WH	max	3800	22,0	62	0,27	8,6	25,1	37,4	0,56	32,5
	min	1600	9,3	46	0,06	0,7	14,6	44,7	0,32	11,9
PA4220WH	max	5300	31,3	62	0,38	19,3	35,3	37,5	0,79	71,9
	min	2200	12,4	42	0,08	1,1	20,3	45	0,45	25,9
PA4225WH	max	6400	37,5	62	0,46	4,5	42,9	37,7	0,96	17,2
	min	2800	15,8	46	0,11	0,4	25,5	44,7	0,57	6,6

*1) Recommended outlet air temperature for good comfort and optimized output.

*2) Nominal output at given supply and return water temperature.

See www.frico.se for additional calculations.

Output charts water PA4200 WL

			Supply water temperature: 80 °C Room temperature: +18 °C Outlet air temperature: +35 °C*1				Water temperature: 80/60 °C Room temperature: +18 °C			
Type	Fan position	Airflow [m³/h]	Output [kW]	Return water temp. [°C]	Water flow [l/s]	Pressure drop [kPA]	Output*2 [kW]	Outlet air temp. [°C]	Water flow [l/s]	Pressure drop [kPA]
PA4210WL	max	2600	14,9	31	0,07	2,7	28,4	50	0,35	42
	min	1050	6,0	26	0,03	0,5	15	59,9	0,18	13,3
PA4215WL	max	3800	21,7	30	0,11	2,2	43,3	51,4	0,53	38,4
	min	1600	9,5	27	0,04	0,5	23,3	60,7	0,29	12,5
PA4220WL	max	5300	31,4	31	0,15	2,0	60,1	51,2	0,73	31,9
	min	2200	12,8	27	0,06	0,4	32,1	60,7	0,39	10,2
PA4225WL	max	6400	36,6	28	0,17	2,9	75	52,3	0,92	56,7
	min	2800	16,3	24	0,07	0,6	41,4	61,3	0,51	19,2
			Supply water temperature: 70 °C Room temperature: +18 °C Outlet air temperature: +35 °C*1				Water temperature: 70/50 °C Room temperature: +18 °C			
Type	Fan position	Airflow [m³/h]	Output [kW]	Return water temp. [°C]	Water flow [l/s]	Pressure drop [kPA]	Output*2 [kW]	Outlet air temp. [°C]	Water flow [l/s]	Pressure drop [kPA]
PA4210WL	max	2600	14,9	33	0,10	4,6	22,5	43,4	0,27	28,2
	min	1050	6,1	28	0,03	0,8	12	51,4	0,15	9,1
PA4215WL	max	3800	22,1	32	0,14	3,8	34,3	44,4	0,42	25,7
	min	1600	9,4	28	0,05	0,7	18,6	52,1	0,23	8,5
PA4220WL	max	5300	31,4	33	0,21	3,5	47,6	44,3	0,58	21,4
	min	2200	12,7	28	0,07	0,6	25,6	52,1	0,31	7
PA4225WL	max	6400	36,4	30	0,22	4,7	59,7	45,3	0,73	38,3
	min	2800	15,8	25	0,09	0,9	33,1	52,7	0,40	13,2
			Supply water temperature: 60 °C Room temperature: +18 °C Outlet air temperature: +35 °C*1				Water temperature: 60/40 °C Room temperature: +18 °C			
Type	Fan position	Airflow [m³/h]	Output [kW]	Return water temp. [°C]	Water flow [l/s]	Pressure drop [kPA]	Output*2 [kW]	Outlet air temp. [°C]	Water flow [l/s]	Pressure drop [kPA]
PA4210WL	max	2600	15,4	37	0,17	11,8	16,5	36,6	0,20	16,6
	min	1050	6,2	30	0,05	1,4	8,9	42,7	0,11	5,5
PA4215WL	max	3800	21,6	35	0,21	7,6	25,2	37,4	0,31	15
	min	1600	9,2	29	0,07	1,2	13,8	43,2	0,17	5,1
PA4220WL	max	5300	29,9	35	0,29	6,3	34,9	37,3	0,42	12,6
	min	2200	13,1	30	0,10	1,1	18,9	43,2	0,23	4,2
PA4225WL	max	6400	36,8	33	0,34	10,0	44,1	38,2	0,54	22,8
	min	2800	16,3	28	0,12	1,7	24,7	43,9	0,30	8,1
			Supply water temperature: 55 °C Room temperature: +18 °C Outlet air temperature: +35 °C*1				Water temperature: 55/35 °C Room temperature: +18 °C			
Type	Fan position	Airflow [m³/h]	Output [kW]	Return water temp. [°C]	Water flow [l/s]	Pressure drop [kPA]	Output*2 [kW]	Outlet air temp. [°C]	Water flow [l/s]	Pressure drop [kPA]
PA4210WL	max	2600	15,2	39	0,23	22,3	13,4	33,1	0,16	11,7
	min	1050	6,0	30	0,06	2,0	7,2	38,2	0,09	3,9
PA4215WL	max	3800	21,8	37	0,29	14,2	20,5	33,8	0,25	10,5
	min	1600	9,3	30	0,09	1,8	11,3	38,6	0,14	3,6
PA4220WL	max	5300	30,2	37	0,41	11,9	28,4	33,7	0,34	8,8
	min	2200	12,8	30	0,13	1,5	15,5	38,6	0,19	3
PA4225WL	max	6400	37,1	36	0,47	18,4	36,2	34,6	0,44	16,2
	min	2800	16,5	29	0,15	2,6	20,4	39,3	0,25	5,8

*1) Recommended outlet air temperature for good comfort and optimized output.

*2) Nominal output at given supply and return water temperature.

See www.frico.se for additional calculations.

Output charts water PA4200 WLL

			Supply water temperature: 55 °C Room temperature: +18 °C Outlet air temperature: +32 °C				Water temperature: 55/35 °C Room temperature: +18 °C			
Type	Fan position	Airflow [m³/h]	Output [kW]	Return water temp. [°C]	Water flow [l/s]	Pressure drop [kPA]	Output* [kW]	Outlet air temp. [°C]	Water flow [l/s]	Pressure drop [kPA]
PA4210WLL	max	2500	12,0	29	0,11	2,0	15,7	36,5	0,19	4,9
	min	1000	4,8	28	0,04	0,4	7,9	41,3	0,10	1,5
PA4215WLL	max	3600	17,2	27	0,15	2,0	24,3	37,8	0,29	6,4
	min	1500	7,4	27	0,06	0,5	12,5	42,4	0,15	2
PA4220WLL	max	5200	25,1	29	0,23	1,6	33,3	36,8	0,40	4,2
	min	2100	9,0	29	0,08	0,3	16,7	41,3	0,20	1,2
PA4225WLL	max	6200	29,5	28	0,26	1,7	41,3	37,5	0,50	5,3
	min	2700	13,9	28	0,13	0,5	21,9	41,8	0,27	1,7

			Supply water temperature: 50 °C Room temperature: +18 °C Outlet air temperature: +32 °C				Water temperature: 50/30 °C Room temperature: +18 °C			
Type	Fan position	Airflow [m³/h]	Output [kW]	Return water temp. [°C]	Water flow [l/s]	Pressure drop [kPA]	Output* [kW]	Outlet air temp. [°C]	Water flow [l/s]	Pressure drop [kPA]
PA4210WLL	max	2500	12,0	30	0,15	3,2	11,9	31,9	0,14	3,1
	min	1000	4,9	28	0,05	0,6	5,9	35,3	0,07	0,9
PA4215WLL	max	3600	17,0	28	0,19	3,1	18,6	33,1	0,22	4,1
	min	1500	7,2	26	0,07	0,6	9,5	36,6	0,12	1,3
PA4220WLL	max	5200	25,3	30	0,31	2,7	24,9	32,1	0,30	2,6
	min	2100	10,0	28	0,11	0,5	12,2	35	0,15	0,7
PA4225WLL	max	6200	30,1	29	0,35	2,9	31,3	32,8	0,38	3,3
	min	2700	12,8	27	0,14	0,6	16,4	35,8	0,20	1

			Supply water temperature: 45 °C Room temperature: +18 °C Outlet air temperature: +32 °C				Water temperature: 45/35 °C Room temperature: +18 °C			
Type	Fan position	Airflow [m³/h]	Output [kW]	Return water temp. [°C]	Water flow [l/s]	Pressure drop [kPA]	Output* [kW]	Outlet air temp. [°C]	Water flow [l/s]	Pressure drop [kPA]
PA4210WLL	max	2500	12,2	32	0,23	6,9	13,7	34	0,33	13,4
	min	1000	4,8	28	0,07	0,9	6,8	37,9	0,16	3,9
PA4215WLL	max	3600	17,4	30	0,29	6,4	20,8	34,9	0,50	17
	min	1500	7,3	27	0,10	1,0	10,5	38,5	0,25	5,1
PA4220WLL	max	5200	25,7	32	0,48	5,8	29	34,3	0,70	11,5
	min	2100	10,1	28	0,15	0,7	14,4	38,1	0,35	3,3
PA4225WLL	max	6200	29,6	30	0,49	5,2	35,6	34,8	0,86	14,4
	min	2700	13,3	28	0,19	1,0	18,7	38,3	0,45	4,5

			Supply water temperature: 40 °C Room temperature: +18 °C Outlet air temperature: +32 °C				Water temperature: 40/30 °C Room temperature: +18 °C			
Type	Fan position	Airflow [m³/h]	Output [kW]	Return water temp. [°C]	Water flow [l/s]	Pressure drop [kPA]	Output* [kW]	Outlet air temp. [°C]	Water flow [l/s]	Pressure drop [kPA]
PA4210WLL	max	2500	11,9	34,0	0,46	24,6	10,1	29,9	0,24	8
	min	1000	4,7	29,0	0,10	1,7	5,1	32,8	0,12	2,4
PA4215WLL	max	3600	17,2	32,0	0,55	20,7	15,5	30,6	0,37	10,4
	min	1500	7,4	29,0	0,16	2,3	7,9	33,5	0,19	3,2
PA4220WLL	max	5200	24,1	32,0	0,77	14,1	21,4	30,1	0,52	6,8
	min	2100	9,8	29,0	0,21	1,4	10,7	32,9	0,26	2
PA4225WLL	max	6200	29,6	32,0	0,95	17,6	26,5	30,5	0,64	8,6
	min	2700	13,0	29,0	0,28	1,9	14	33,2	0,34	2,7

*1) Recommended outlet air temperature for good comfort and optimized output.

*2) Nominal output at given supply and return water temperature.

See www.frico.se for additional calculations.

Инструкция по монтажу и эксплуатации

Общие положения

Внимательно изучите настоящую инструкцию до начала монтажа и эксплуатации. Сохраните данную инструкцию для возможных обращений в будущем.

Оборудование может быть использовано только по назначению, определенному данной Инструкцией. Гарантия распространяется на установки, выполненные и используемые в соответствии с требованиями и предписаниями настоящей Инструкции.

Область применения

Завесы РА3500 предназначены для защиты входных проемов и небольших ворот с высотой/шириной продува до 3.5 метров. Завесы РА4200 предназначены для больших проемов административных и промышленных зданий с высотой/шириной продува до 4.2 метров.

Модельный ряд состоит из воздушных завес без обогрева, с электронагревом и с подводом горячей воды.

Класс защиты приборов с электронагревом: IP20.

Класс защиты приборов без нагрева и на горячей воде: IP21.

Класс защиты для завес с подводом горячей воды WH: IPX4

Назначение и принцип действия

Воздух забирается на верхней/задней панели завесы, завеса располагается как можно ближе к краю проема и, для достижения оптимального защитного эффекта, по всей его ширине/высоте.

Решетка выдува - регулируемая, что дает возможность направлять поток воздуха от завесы под нужным углом, как правило, в сторону улицы.

Эффективность работы завесы зависит от разности температур и давлений в проеме, а также от ветровой нагрузки.

ВНИМАНИЕ! Пониженное давление внутри здания будет существенно снижать эффективность работы воздушной завесы. Вентиляция должна быть сбалансированной.

Монтаж

Воздушные завесы данной серии универсальны. С использованием соответствующих элементов их можно устанавливать горизонтально (открыто или за подвесной потолок) или вертикально.

Горизонтальная установка

Воздушная завеса устанавливается горизонтально с нижним расположением решетки выдува и как можно ближе к дверному проему. Минимальное расстояние от решетки выдува до пола для завес с электронагревом должно быть не менее 1800 мм. Другие минимальные расстояния показаны на рис. 3.

Для защиты широких проемов завесы устанавливаются вплотную друг к другу и соединяются при помощи Стыковочного комплекта (рис. 9).

Дизайн комплекты для вертикальной и горизонтальной установки дают возможность задекорировать элементы подвески, соединительные кабели и трубы. См. страницы главы Принадлежности.

Установка на скобах настенного крепления РА34WB (рис. 6)

1. Удалите упаковочный материал со скоб настенного крепления. (Рис. 6А)
2. Закрепите скобы на стене по отверстиям, размеченным по размерам на рис. 6В.
3. Завинтите винты с квадратной головкой в соответствующие отверстия М8. (рис. 5 и 6С)
4. Зафиксируйте винты гайкой так, чтобы головка винта была на расстоянии 20мм над завесой. На рисунке показано направление закручивания гайки. (Рис. 6С)
5. Задвиньте завесу на скобы. (Рис. 6D)
6. Затяните гайку относительно скобы и поставьте торцевую пластиковую заглушку на скобу. (Рис. 6Е)

Горизонтальная установка, подвеска с потолка

Стальные стержни с резьбой, комплект тросовой подвески и скобы для потолочного крепления имеются как принадлежности, смотри рис. 7 и 8 и отдельные Инструкции.

Горизонтальная установка в подвесной потолок

Секция телескопического удлинения решетки выдува имеется как принадлежность, см. рис. 10 и отдельную Инструкцию.

Вертикальная установка PA3JK

Завесы длиной от 1,5м и больше могут устанавливаться вертикально. В этом случае они должны комплектоваться набором для вертикальной установки, содержащем все необходимые элементы и крепеж для монтажа.

Приборы могут устанавливаться с любой стороны от дверей. Соединения и управляющая плата расположены в нижней части при левосторонней установке (взгляд изнутри), и, соответственно в верхней, при правосторонней.

Монтажная плата крепится к полу крепежом, соответствующим типу поверхности.

Завесы могут устанавливаться одина на другую, при этом опорная плата используется как соединительный элемент.

В верхней точке завеса должна быть закреплена к стене или элементам конструкции здания.

Дизайн комплект скрывает соединительные кабели, трубы и элементы крепления, поставляется как принадлежность, дополнительно на страницах Принадлежности. См. рис.11 и отдельную Инструкцию.

Электроподключение

Установка должна подключаться к сети через всеполюсной автомат защиты с воздушным зазором не менее 3мм. Все работы должны выполняться квалифицированным специалистом с соблюдением действующих норм и правил. Управляющая плата и датчик температуры встроены в завесу (см. рис.2).

Система SIRE поставляется с необходимым набором программного обеспечения и гнездами для подключения.

Отдельные элементы соединяются посредством кабелей с разъемами. См. Инструкцию для SIRE.

Модели без нагрева или на горячей воде

Подключение к сети кабелем с вилкой длиной 2м

Модели с электронагревом

Отверстия подсоединения кабелей находятся на верхней панели (горизонтальная установка). Питание 400В3ф~ (блок нагрева) подается на клеммную коробку, а 230В (управление) на встроенную управляющую плату. Для приборов длиной 2м и более питание подается отдельно на две группы.

Максимальное сечение кабеля подводимого на клеммы 16мм². Ввод кабеля в корпус производится через резиновые втулки с тем, чтобы обеспечить заявленный класс защиты. На распределительном щите должно быть помечено: «Воздушная завеса может быть запитана более, чем от одного источника».

Смотрите электросхемы.

Модель	Мощности		Мин. сечение* [мм ²]
	[кВт]	[В]	
Приборы управления	0	230В~	1,5
PA3510E08	8	400В3~	2,5
PA3515E12	12	400В3~	4
PA4210E12	12	400В3~	4
PA4215E18	18	400В3~	10
PA3520E16*¹	8	400В3~	2,5
	8	400В3~	2,5
PA3525E20*¹	8	400В3~	2,5
	12	400В3~	4
PA4220E24*¹	12	400В3~	4
	12	400В3~	4
PA4225E30*¹	12	400В3~	4
	18	400В3~	10

*1) Модели длиной 2 и 2,5м имеют по 2 блока нагрева, причем в моделях длиной 2,5м они отличаются по мощности. Левый блок нагрева имеет мощность больше, чем правый.

*2) Сечения и тип соединительных кабелей должны соответствовать допустимым нагрузкам и выбираться в соответствии с местными нормами и правилами.

Запуск (E)

При первом включении после долгого перерыва может появляться небольшой дым или ощущаться запах от сгорания пыли на нагревательных элементах. Эти проявления вполне допустимы и после непродолжительного использования прибора они исчезают.

Подключение теплообменника (W)

Все работы должны производиться квалифицированным специалистом.

Теплообменник имеет медную трубную систему с алюминиевым оребрением и предназначен для работы в замкнутых отопительных сетях. Он не предназначен для работы в сетях высокого давления или открытых контурах отопления.

Внимание! На напорной ветке должен быть расположен запорный вентиль, см. раздел Комплекты запорно-регулирующей арматуры.

Соединительные патрубки DN20 (3/4") с наружной резьбой расположены сверху завесы при горизонтальной установке или со стороны, противоположной выдуву при вертикальной установке. Для удобства подключения можно использовать гибкие подводки, которые поставляются как принадлежность. См. раздел Принадлежности.

На обратном трубопроводе устанавливается регулирующая арматура с возможностью полного перекрытия.

Установка должна оснащаться клапаном воздухоудаления, устанавливаемым в верхней точке. (В комплект поставки не входит)

При вертикальной установке завес с теплообменником WL/WLL полное удаление воды может быть затруднено. При заполнении теплообменника водой в системах с перепадом давления больше 1бар воздухоудаление не требуется. См. рис. 4.

Наша рекомендация использовать T-подсоединение и отсечные вентили. Небольшие остатки воздуха, которые могут быть в системе, пропадут во время эксплуатации. Внимание! Будьте осторожны при подключении теплообменников к сети. При затяжке, во избежание скручивания соединительного патрубка, необходимо фиксировать его трубно-рычажным ключом. При его отсутствии рекомендуем прогнать 2 гайки до конца резьбы, законтрить и фиксировать патрубков через гайки рожковым или разводным ключом.

Теплообменники WH завес PA3500/4200 оснащены штуцерами для возможности слива и воздухоудаления. При вертикальной установке один из них оказывается в верхней, а другой в нижней точке завесы. Для слива теплоносителя необходимо перекрыть запорные клапана и ослабить оба штуцера до полного слива воды.

Настройка воздушного потока

Направление и скорость воздушного потока должны выбираться в зависимости от нагрузки на проем. Давление воздуха снаружи воздействует на воздушный поток от завесы, изгибая его внутрь помещения (зимние условия).

Таким образом поток воздуха должен направляться в сторону улицы, чтобы противодействовать нагрузке. Как правило, чем больше нагрузка, тем на больший угол (в пределах 30°) следует отклонять поток.

Основные настройки скорости потока

Скорость потока при открытых дверях задается системой управления. Имейте в виду, что при изменении внешних условий (ветер, температура и т.д.) может потребоваться перенастройка направления и скорости потока.

Фильтр (W)

Теплообменник защищен от загрязнений встроенным воздушным фильтром. В помещениях с повышенной загрязненностью, где фильтр необходимо чистить часто, мы рекомендовали бы использовать внешний фильтр (см. раздел принадлежности), который поможет облегчить обслуживание завесы, т.к. он располагается с наружной стороны корпуса.

Сервис, обслуживание и ремонт

До проведения каких-либо работ по обслуживанию, сервису и ремонту выполните следующее:

1. Отключите питание.
2. Отверните винты и поднимите переднюю панель. Панель фиксируется в открытом положении штангой, см. рис. 1А или снимается целиком см. рис. 1В. Сервисная крышка снимается выворачиванием винтов.
3. После выполнения обслуживания и ремонта установите на место сервисную крышку и переднюю панель. При повторной установке передней панели важно убедиться, что она точно села в замки, см. рис. 1В

Обслуживание

Завесы с подводом горячей воды:

Штатный фильтр подлежит регулярной чистке для сохранения необходимого уровня расхода и тепловой мощности. Загрязнение фильтра приведет к снижению скорости потока и теплоотдачи.

1. Отключите питание.
2. Отверните винты и поднимите переднюю панель. Панель фиксируется в открытом положении штангой, см. рис.1А.
3. Извлеките фильтр, очистите или промойте его. Если он загрязнен настолько, что не подлежит чистке, необходима его замена.

Для всех моделей:

Внутренние узлы и агрегаты не требуют обслуживания, при необходимости нужно лишь производить их периодическую чистку. Частота чистки определяется в зависимости от конкретных условий, но не реже двух раз в год. Решетки входа/выхода и вентиляторы можно чистить с помощью пылесоса или влажной тряпкой. При чистке пылесосом используйте щеточную насадку. Использование активных очищающих составов не допускается.

Перегрев

Воздушные завесы с электронагревом оснащены защитой от перегрева. При перегреве произведите следующие действия:

1. Отключите питание на щите.
2. Подождите, пока прибор не остынет.
3. Определите причину перегрева и устраните ее.
4. Подключите питание на завесу.

Все электродвигатели оборудованы встроенной термозащитой. При внештатном повышении температуры термозащита отключит прибор. После снижения температуры она автоматически включит электродвигатели.

Регулирование температуры

Система SIRE контролирует уровень температуры воздуха на выходе. Если температура превысит установленное значение, то сработает защита от перегрева. Для более подробной информации смотрите инструкцию по эксплуатации SIRE.

Замена вентиляторов

1. Определите, какой из вентиляторов неисправен.
2. Отключите кабели неисправного агрегата.
3. Отверните крепежные винты и извлеките его из корпуса завесы.
4. Установите на его место исправный и проделайте все в обратном порядке.

Замена блока электронагрева (E)

1. Пометьте и отключите кабели блока электронагрева.
2. Отверните крепежные винты и извлеките его из корпуса завесы.
3. Замените неисправный блок.
4. Установите на его место исправный и проделайте все в обратном порядке.

Замена теплообменника (W)

1. Закройте вентили, отключив теплообменник от отопительной сети.
2. Отверните соединения, освободив патрубки.
3. Отверните крепежные винты и извлеките теплообменник из корпуса завесы.
4. Замените неисправный и проделайте все в обратном порядке.

Возможные неисправности

Если не работают вентиляторы проверьте следующее:

- Проверьте не загромождены ли каналы входа/выхода воздуха какими-либо предметами или материалами, степень загрязненности фильтра.
- Проверьте функции и настройки системы SIRE, см. отдельную Инструкцию.

Если отсутствует нагрев проверьте следующее:

- Проверьте функции и настройки системы SIRE, см. отдельную Инструкцию.

Для приборов с электронагревом также проверьте следующее:

- Подачу питания на блок нагрева, положение защитных устройств.
- Что не было срабатывания термозащиты моторов

Для завес на горячей воде проверьте следующее:

- Не завоздушен ли теплообменник.
- Достаточен ли расход воды.
- Вода на входе имеет достаточно высокую температуру.

Если неисправность не определяется, обратитесь к квалифицированным специалистам.

Устройство защитного отключения (УЗО) (E)

В том случае, если прибор подключен к сети через устройство защитного отключения (УЗО), работающего по току утечки и при включении происходит его срабатывание, это может происходить вследствие влажности изоляции нагревательных элементов. Это, как правило результат длительного хранения во влажных условиях.

Это не может рассматриваться как неисправность и устраняется временным включением прибора без УЗО. Просушка может занять от нескольких часов до нескольких дней. Во избежание накопления влаги при длительных перерывах в работе рекомендуем периодически включать прибор на непродолжительное время.

Заводская упаковка

Материалы, используемые для упаковки, выбираются с учетом охраны окружающей среды и поэтому должны иметь возможность переработки и утилизации.

Утилизация прибора по завершении срока его полезной эксплуатации

Данный прибор может содержать вещества, необходимые для его функционирования, но потенциально опасные для окружающей среды. Прибор не должен перерабатываться вместе с бытовыми отходами, необходимо доставить его в специальный пункт экологической утилизации. Пожалуйста, свяжитесь с местными властями для получения дополнительной информации о вашем ближайшем назначенном пункте сбора отходов.

Безопасность

- В целях защиты от поражения электрическим током приборы с электронагревом могут быть оборудованы УЗО с током утечки 300 мА.
- Пространство вблизи каналов входа/выхода воздуха должно быть свободно от каких либо предметов или материалов!
- Во избежание перегрева и пожарной опасности прибор не должен целиком или частично накрываться какими-либо предметами или материалами!
- При любых работах с тяжелым оборудованием, используйте грузоподъемные механизмы.
- Настоящий прибор может быть использован детьми старше 8 лет, лицами с ограниченной дееспособностью или не имеющими достаточного опыта и знаний только, если они сопровождаются или проинструктированы персоналом, ответственным за их безопасность. Дети не должны иметь возможность играть с прибором. В случае, если дети привлекаются к чистке или техническому уходу за прибором, необходим строгий контроль со стороны лица, ответственного за их безопасность.
- Дети младше 3-х лет не должны иметь доступа к прибору без постоянного наблюдения со стороны взрослых.
- Дети в возрасте от 3-х до 8-ми лет могут включать/выключать прибор только в том случае, если он установлен по своему назначению в нормальном рабочем положении, а за детьми наблюдают взрослые или они были проинструктированы о правилах пользования прибором и понимают, что его неправильное использование опасно для жизни.
- Дети в возрасте от 3-х до 8-ми лет не должны включать прибор в электрическую розетку, регулировать его работу, а также чистить или выполнять элементы его сервисного обслуживания.

ВНИМАНИЕ - некоторые части данного прибора в процессе эксплуатации могут сильно нагреваться и вызывать ожоги. Особое внимание должно уделяться детям и уязвимым группам населения.

Перевод текста для страниц с рисунками

• Outside thread	= Внешняя резьба
• Quantity included	= Кол. в комплекте
• pcs	= штук
• Accessories	= Принадлежности
• See separate manual for xxx	= Смотрите отдельную Инструкцию для xxx.
• Wiring diagrams for XXX and XXX, see manual for SIRE	= Электросхемы для xxx и xxx, смотрите инструкцию для SIRE.
• Note! The air curtain must be secured in the wall or ceiling.	= Внимание! Завеса должна быть закреплена к стене или к потолку.

Технические характеристики

Output steps [kW]	= Ступени мощности
Output* ^{5,6,7} [kW]	= Мощности
Airflow* ¹ [m ³ /h]	= Расход воздуха
Sound power* ² [dB(A)]	= Мощность звука
Sound pressure* ³ [dB(A)]	= Звуковое давление
Voltage motor [V]	= Напряжение двигатель
Amperage motor [A]	= Ток двигатель
Voltage / Amperage heat	= Напряжение / Ток нагрев
Water volume [l]	= Объем воды
Length [mm]	= Длина
Weight [kg]	= Вес

*1) При min/max скорости (всего 5 ступеней).

*2) Мощность звука (L_{WA}) измерена в соответствии с ISO 27327-2: 2014, Тип установки E.

*3) Звуковое давление (L_{pA}). Условия: Расстояние до прибора 5 метров. Фактор направленности 2. Эквивалентная площадь звукопоглощения 200 м². При низком/высоком расходе воздуха.

*4) Δt = Увеличение температуры проходящего воздуха при полной выходной мощности и min/max расходе воздуха.

*5) Для температуры воды 60/40 °C, и воздуха на входе +18 °C.

*6) Для температуры воды 90/70 °C и воздуха на входе +18 °C.

*7) Для температуры воды 40/30 °C и воздуха на входе +18 °C.

Класс защиты приборов с электронагревом: IP20.

Класс защиты приборов без нагрева и на горячей воде WL, WLL: IP21.

Класс защиты для завес с подводом горячей воды WH: IPX4.

Сертифицированы ГОСТ, стандарт CE.

Таблицы мощности для завес с подводом воды

Supply water temperature [°C]	= Температура воды на входе
Room temperature [°C]	= Температура в помещении
Outlet air temperature* ¹ [°C]	= Температура воздуха на выходе
Water temperature [°C]	= Температура воды
Fan position	= Положение вентилятора
Airflow [m ³ /h]	= Расход воздуха
Output* ² [kW]	= Мощности
Return water temperature [°C]	= Температуры обратной воды
Water flow [l/s]	= Расход воды
Pressure drop [kPa]	= Падение давления

*1) Рекомендуемая температура воздуха на выходе для оптимальной мощности и комфорта.

*2) Тепловая мощность при заданных параметрах температуры воды на входе и выходе.

Дополнительная информация и данные для расчетов на сайте www.frico.com.ru.



Main office

Frico AB
Industrivägen 41
SE-433 61 Sävedalen
Sweden

Tel: +46 31 336 86 00

mailbox@frico.se

www.frico.net

**For latest updated information and information
about your local contact: www.frico.net.**