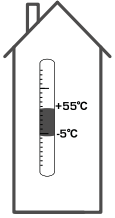


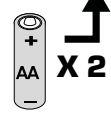
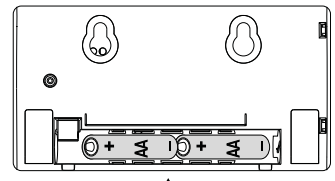
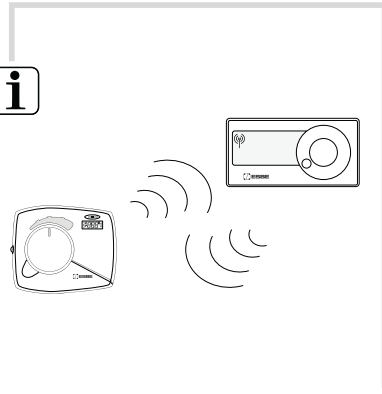
ESBE SERIES CRB100



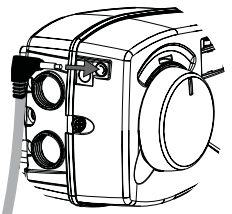
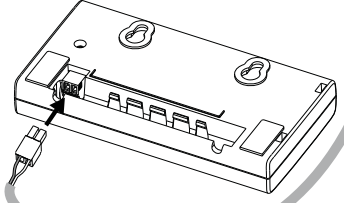
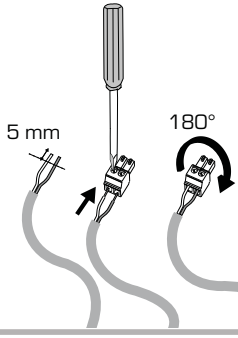
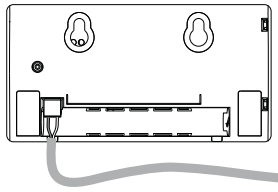
Series CRB110
Series CRB120
CE
LVD 2006/95/EC
EMC 2004/108/EC
RoHS 2002/95/EC
EN 300220-2



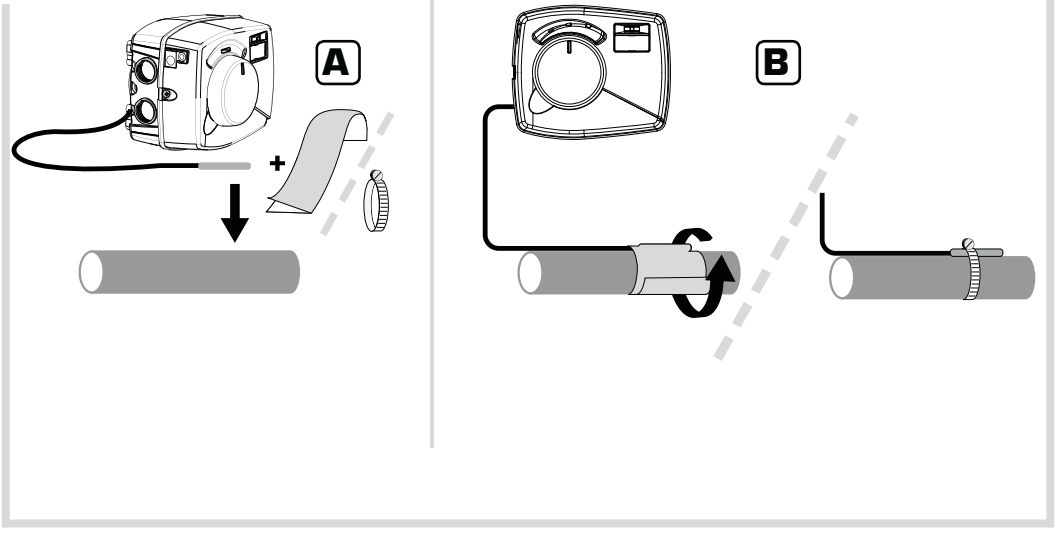
1A Series CRB120



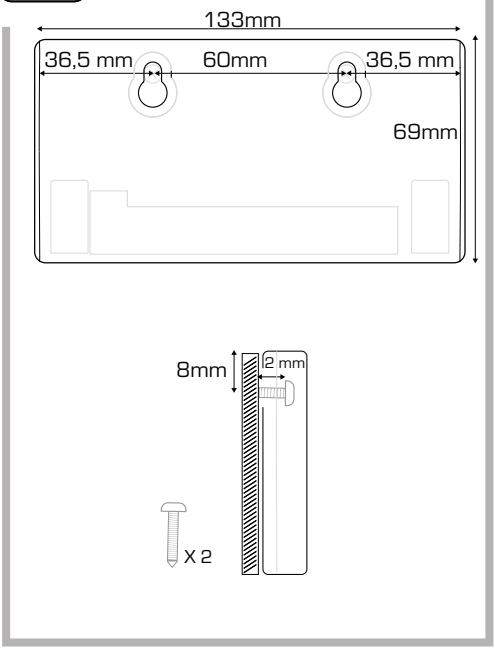
1B Series CRB110



2



i



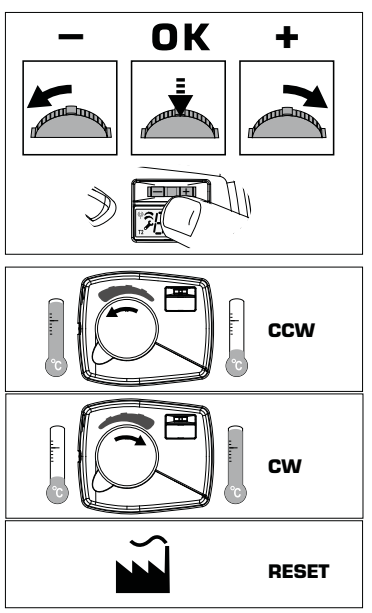
www.esbe.se

Mtrl.nr. 9814 03 91 • Ritn.nr. 9211 utg. B • Rev. 1012

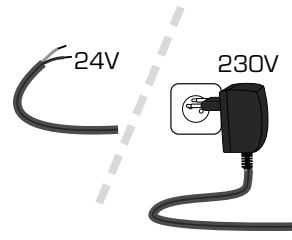
3



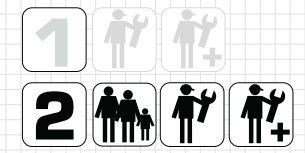
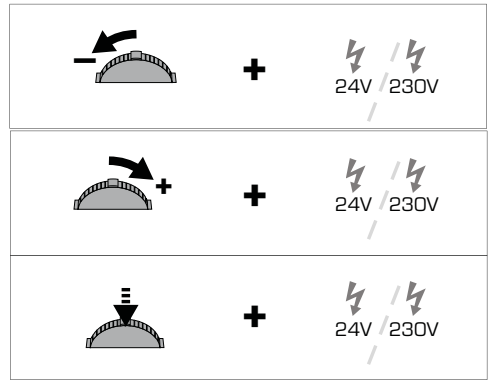
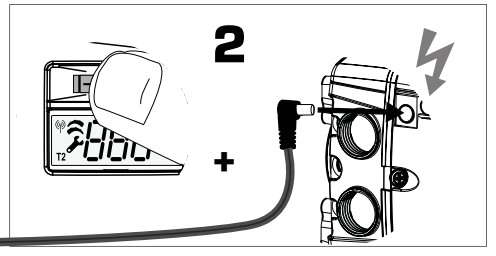
i



1



2



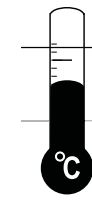
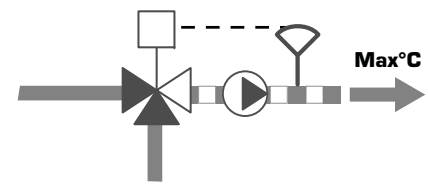
SERIES CRB100



NO.1 IN HYDRONIC SYSTEM CONTROL

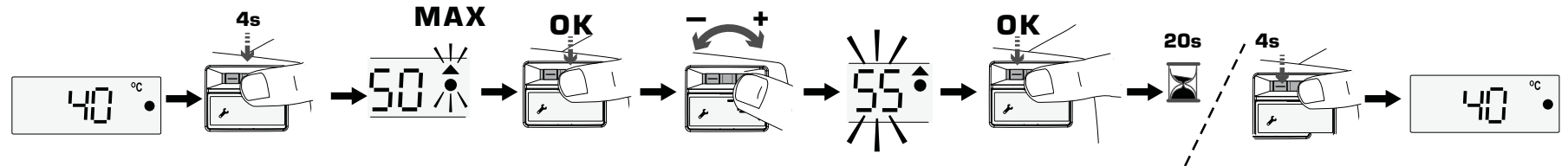


▲ = MAX

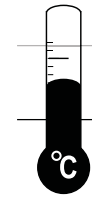
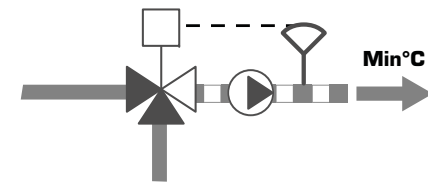


▲ Max°C
● Min°C
▼

	50 °C
	~40 - 50 °C
	~60 - 80 °C

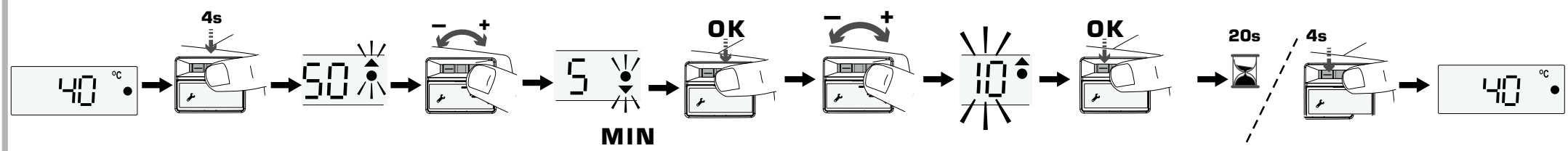


● = MIN



▲ Max°C
● Min°C
▼

	5 °C
	~5 - 25 °C
	~5 - 25 °C



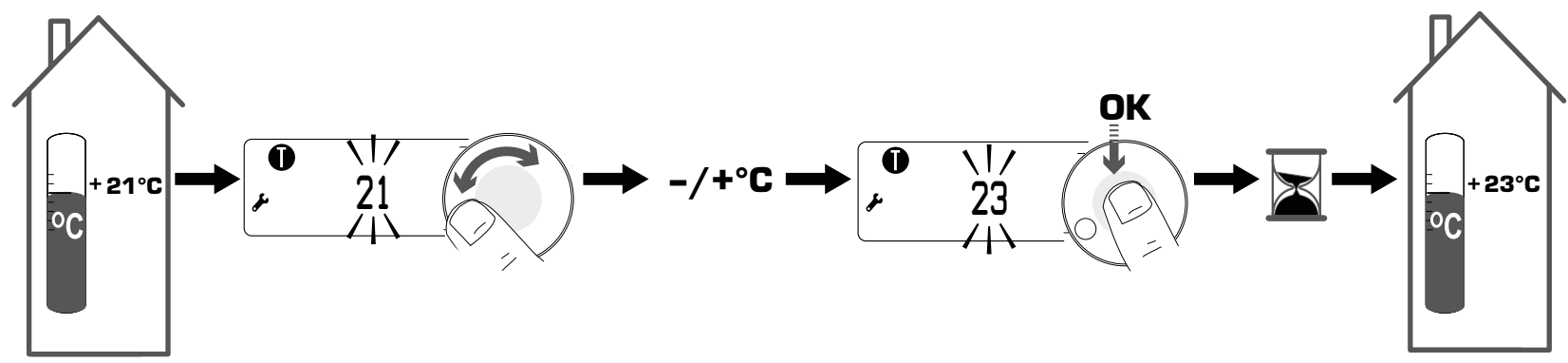
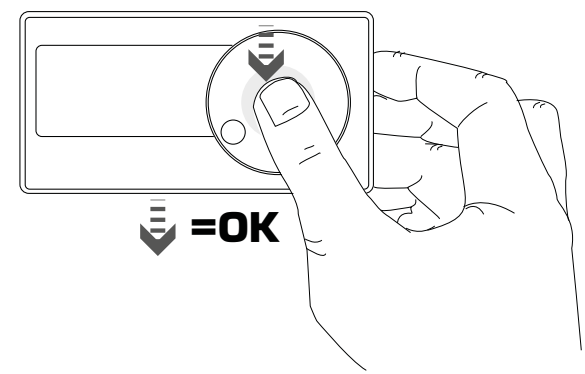
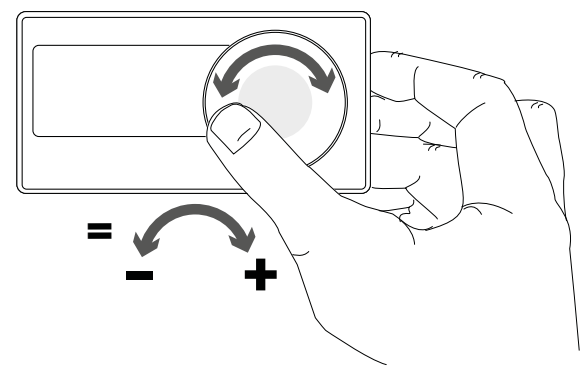
6



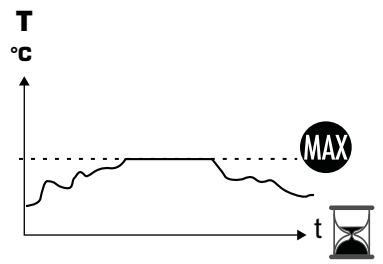
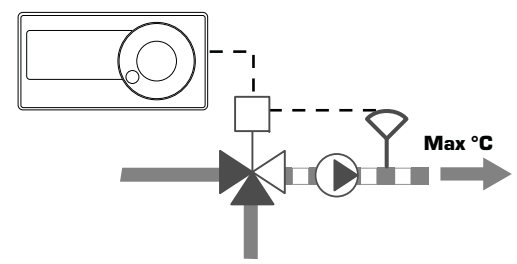
T



i



i **MAX**



	50 °C
	~40 - 50 °C
	~60 - 80 °C
	60 °C

21 **4s** **MAX MIN C**

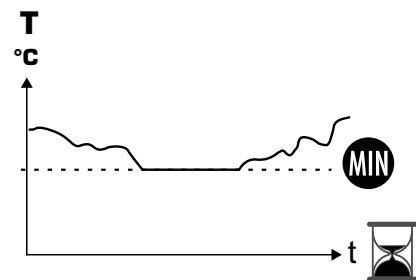
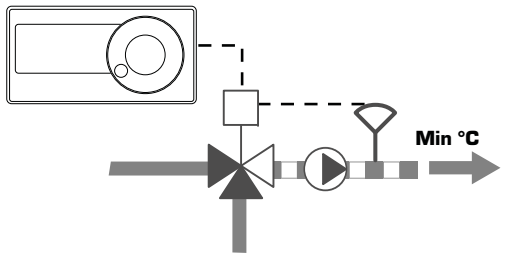
OK **50** **MAX**

OK **55** **MAX**

-/+°C

OK

i **MIN**



	5 °C
	~5 - 25 °C
	~5 - 25 °C
	~5 - 25 °C

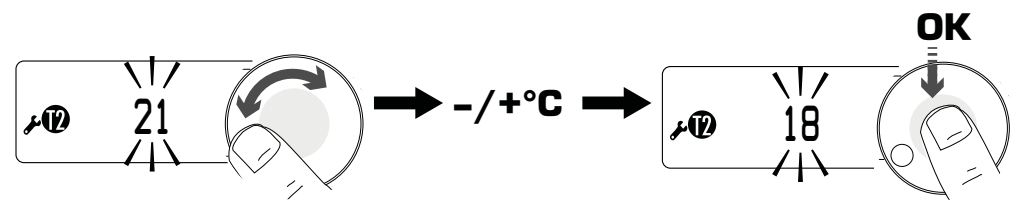
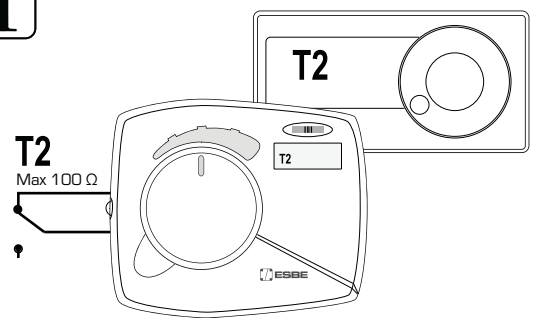
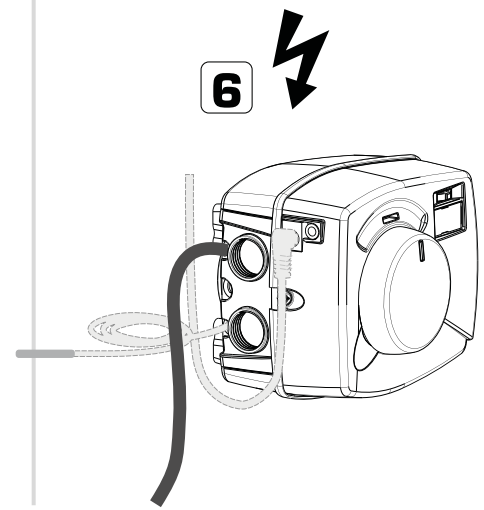
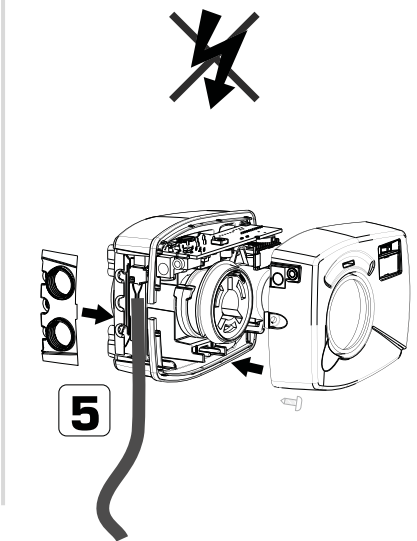
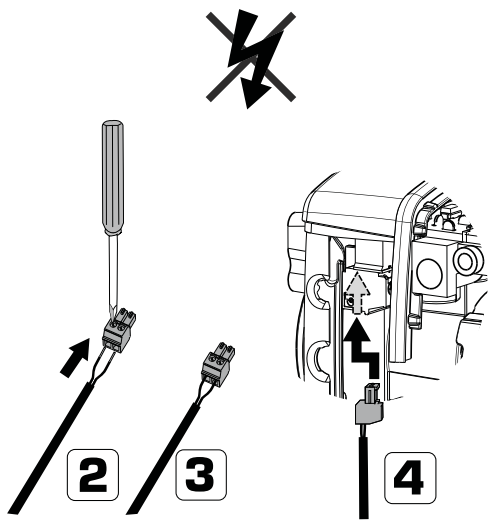
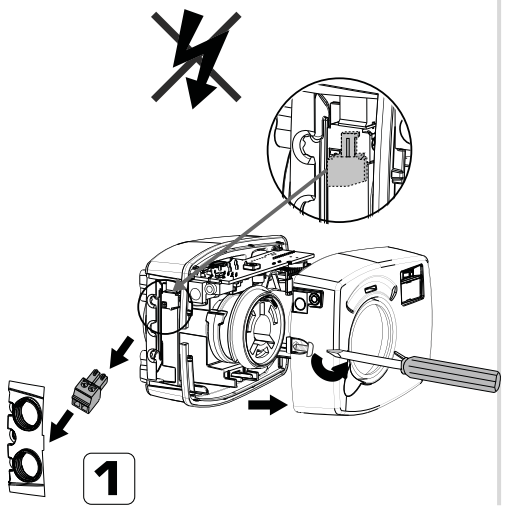
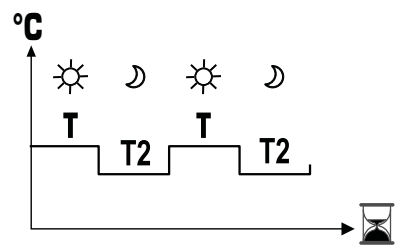
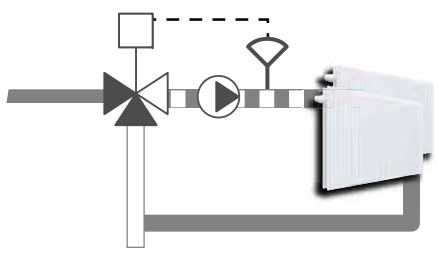
21 **4s** **MAX MIN C**

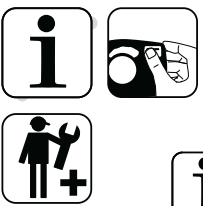
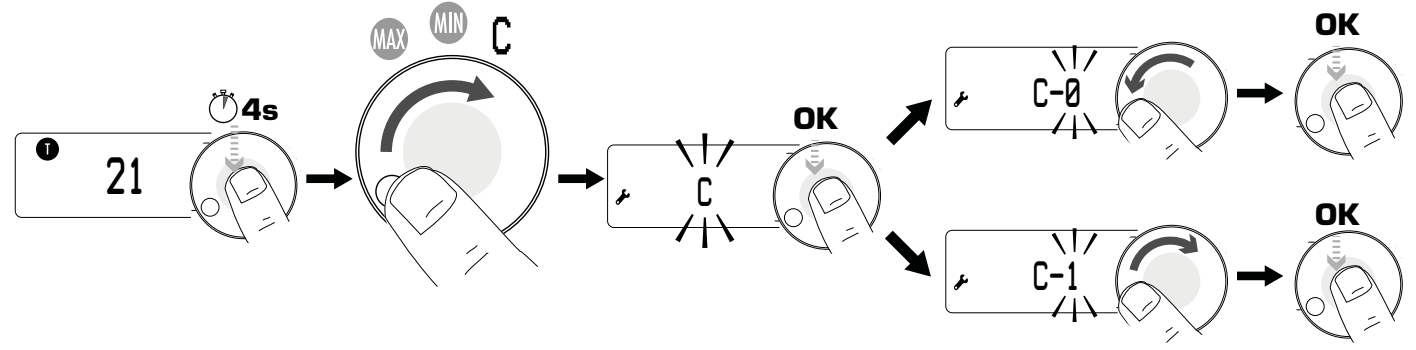
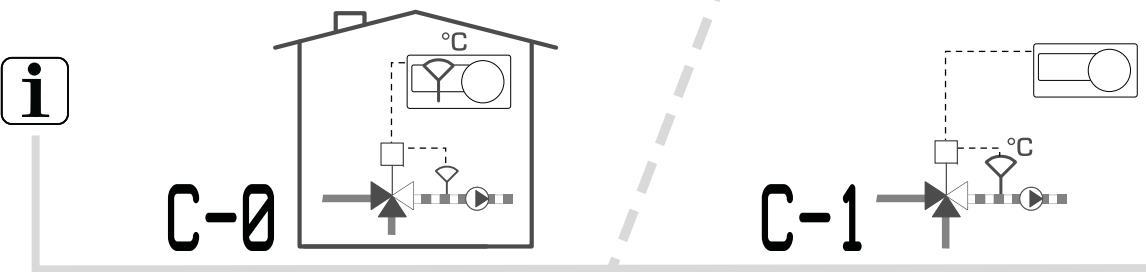
OK **5** **MIN**

OK **10** **MIN**

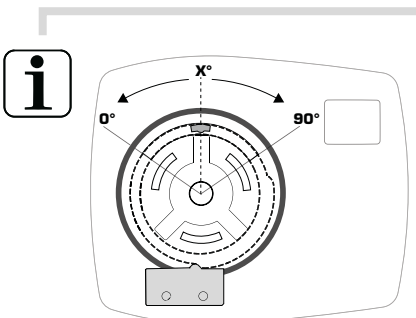
-/+°C

OK

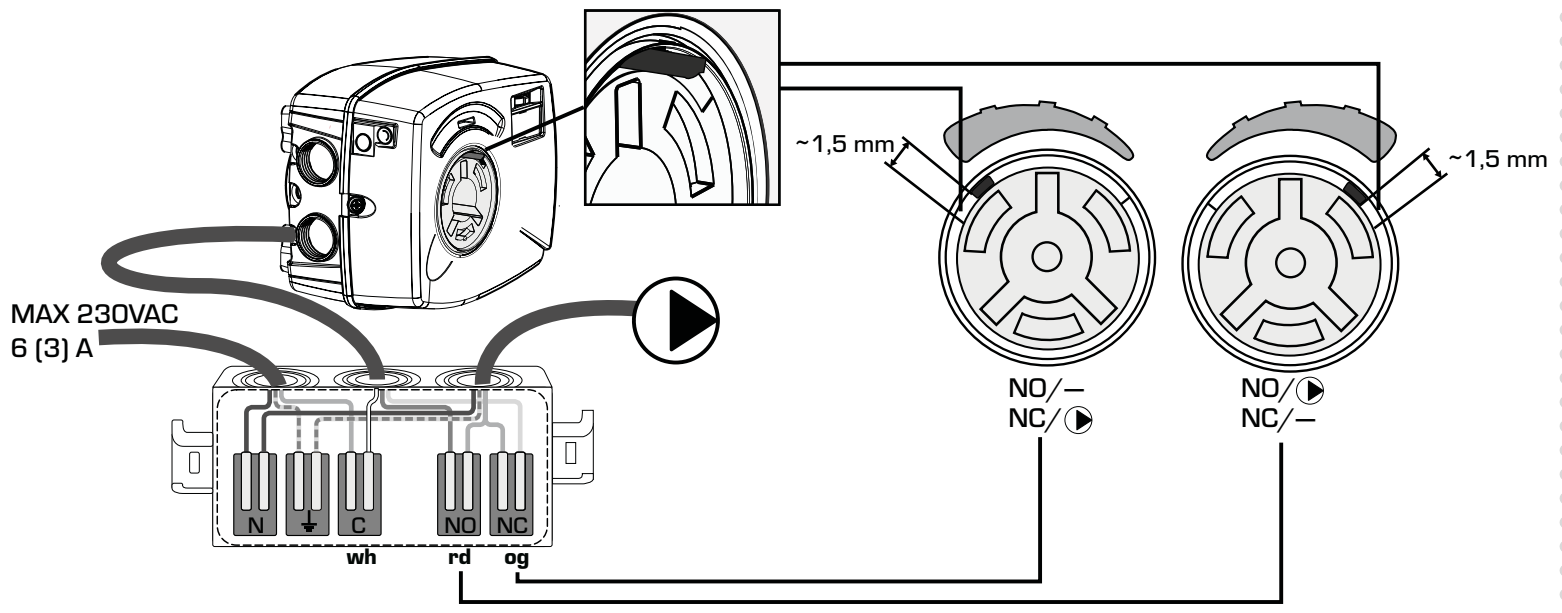




Series CRB113 **ON/OFF**



	0° - X°	X° - 90°
NO		
NC		
	X° = 45°	



T

i

