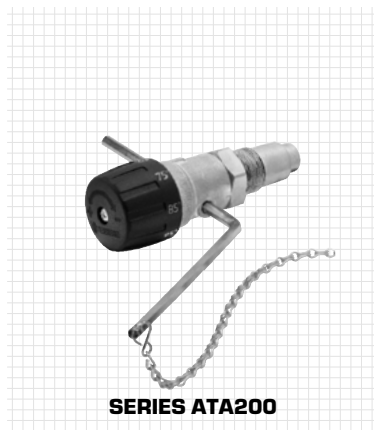




www.esbe.se



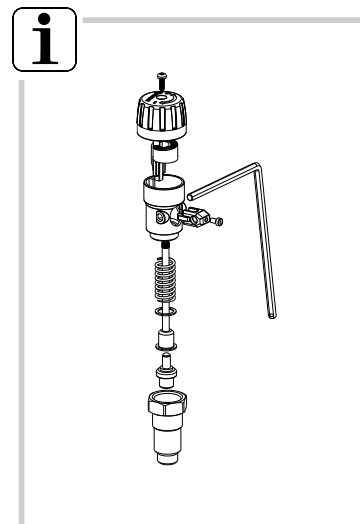
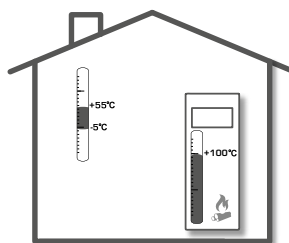
SERIES ATA200



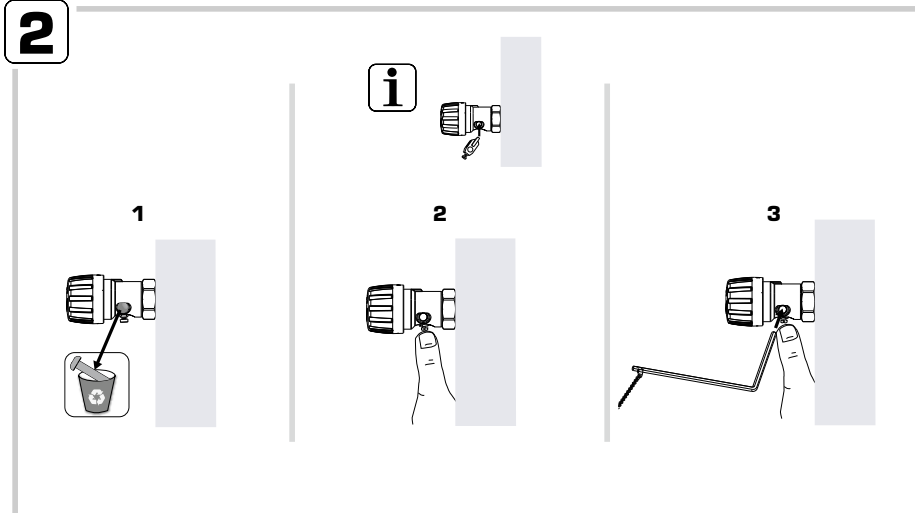
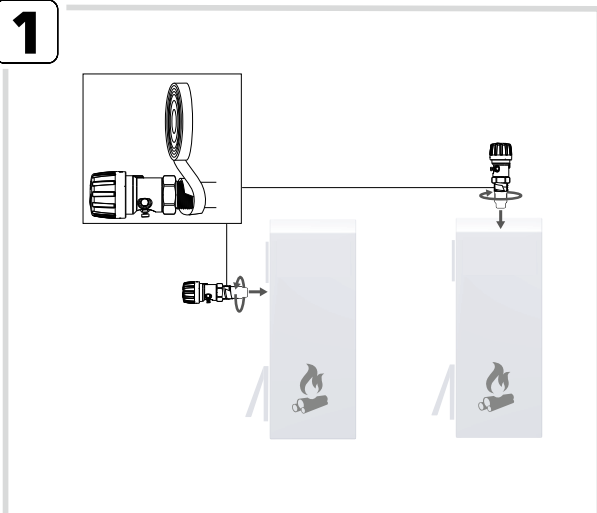
NO.1 IN HYDROMIC SYSTEM CONTROL



Series ATA212
Series ATA222

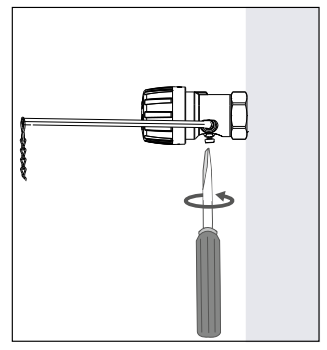
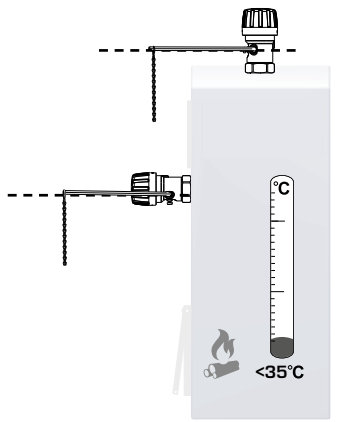
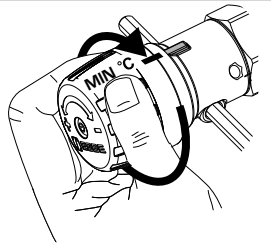


Mtrl.nr: 9814 04 10 • Ritn.nr: 9222 utg A • Rev. 1102



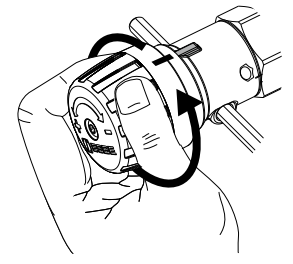
3

ATA200: Min 35°C/Min 60°C

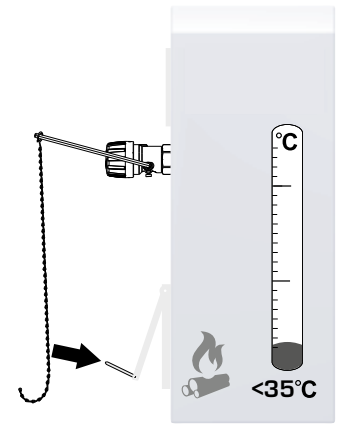


4

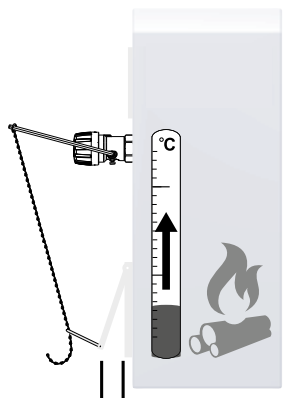
°C MAX ?



5

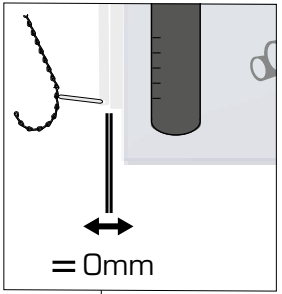
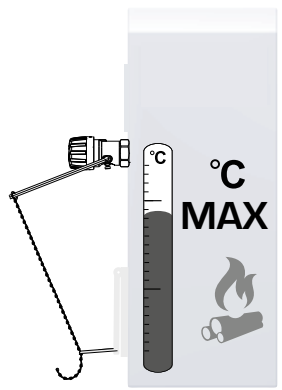


6



⚠ ≠ 0mm

7



i

≠ 0mm

