

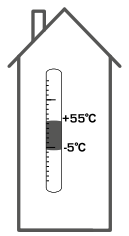


**SERIES CRA110**



Series CRA111  
Series CRA112

CE  
LVD 2006/95/EC  
EMC 2004/108/EC  
RoHS 2002/95/EEC



Modellnr. 9814 03 90 • Rittnr. 9210 utg. B • Rev. 1012

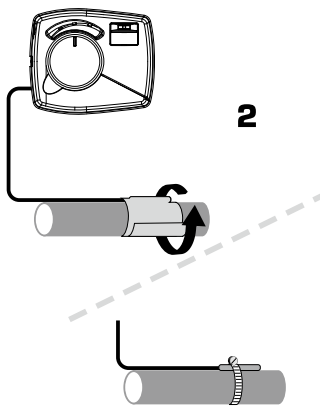
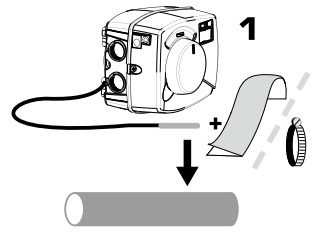


-	OK	+
		CCW
		CW
RESET		

**1**

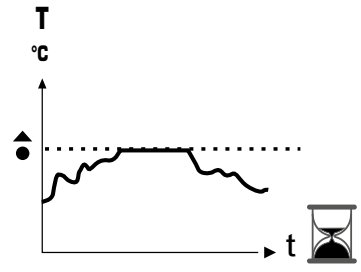
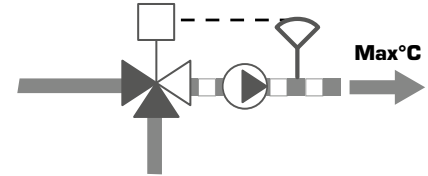
**2**

	+		
		24V	230V
	+		
		24V	230V
	+		
		24V	230V

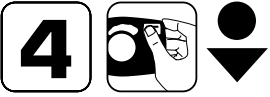
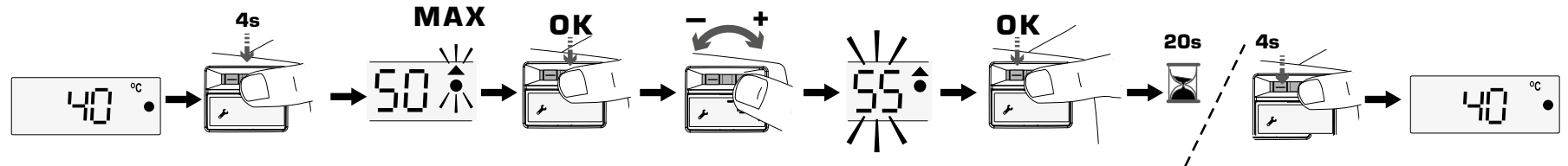




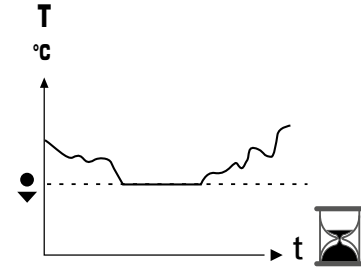
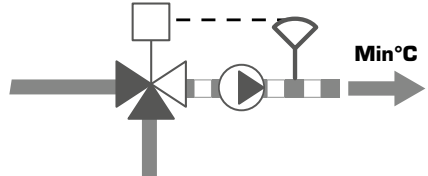
▲ = MAX



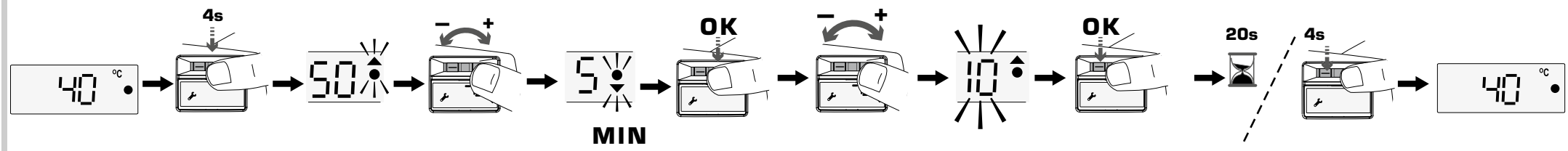
	50 °C
	~40 - 50 °C
	~60 - 80 °C
	60 °C




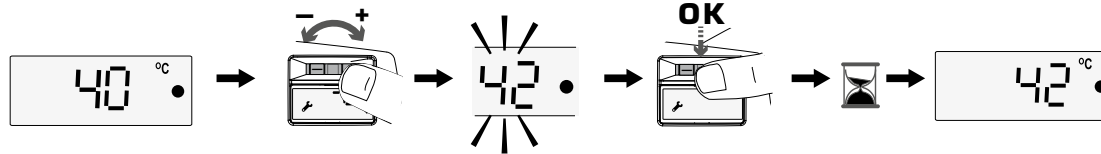
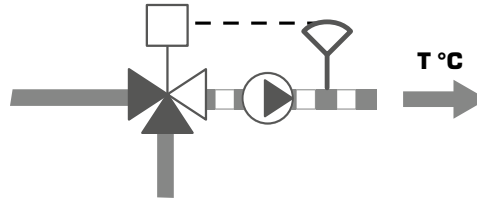
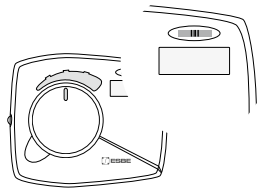
▼ = MIN



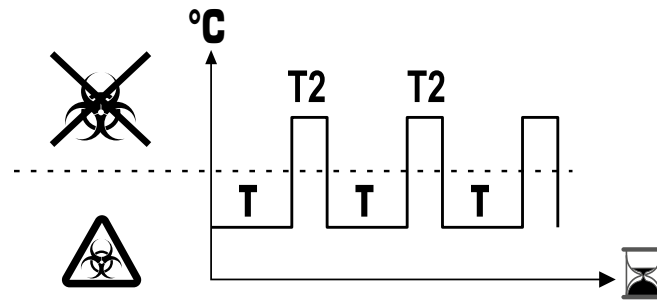
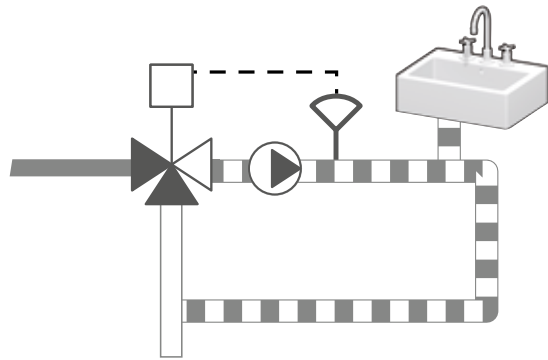
	5 °C
	~5 - 25 °C
	~5 - 25 °C
	~5 - 25 °C

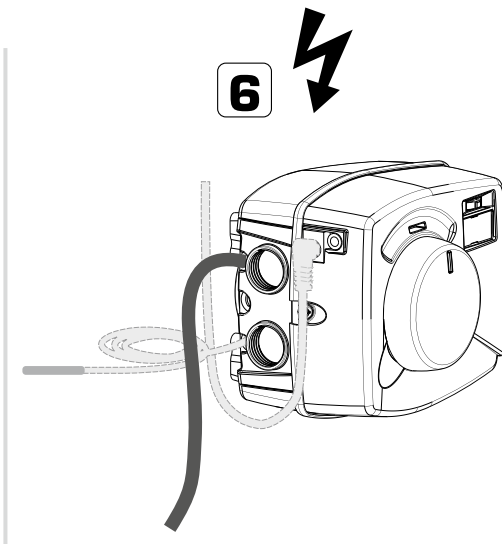
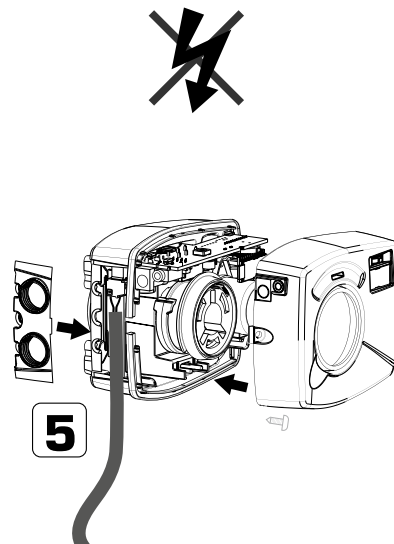
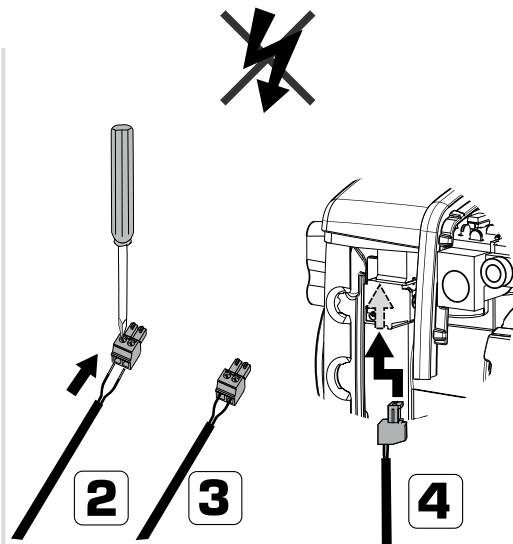
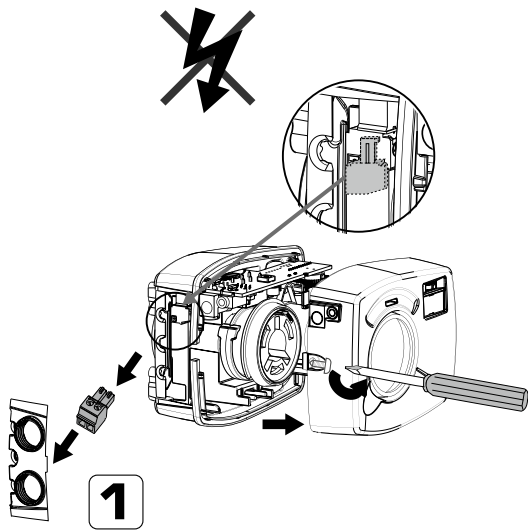


**5**  **T**

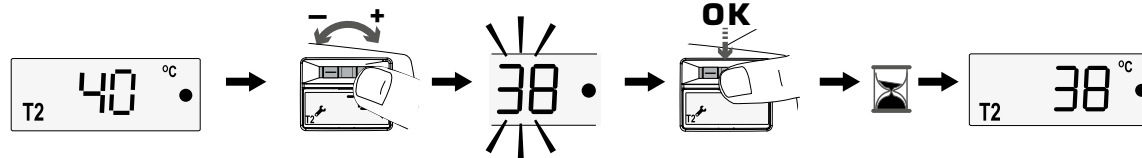
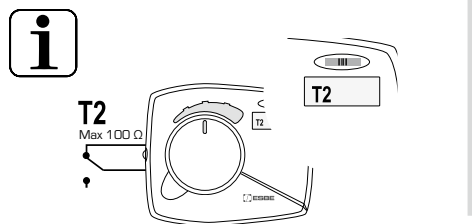


**6**  **T2**





**6** ⚡



**T**

