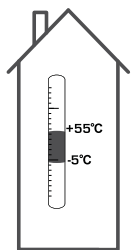


ESBE SERIES ARA600 Prop



Series ARA639
Series ARA659

CE
LVD 2006/95/EC
EMC 89/336/EEC
RoHS 2002/95/EEC



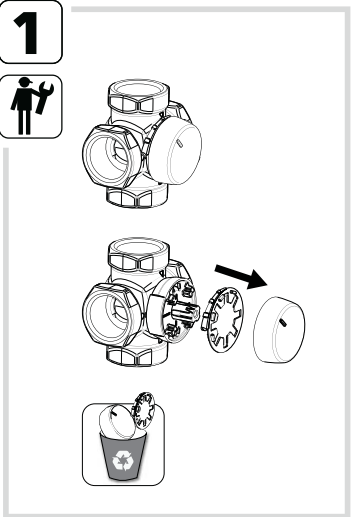
i



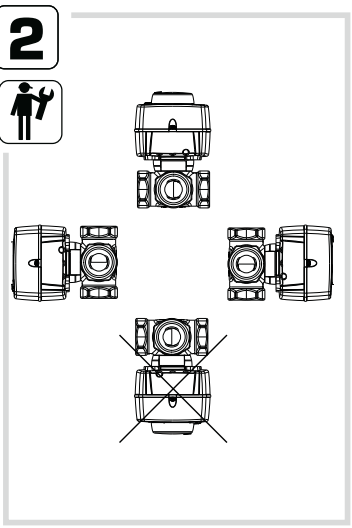
+



1



2

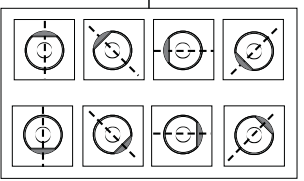
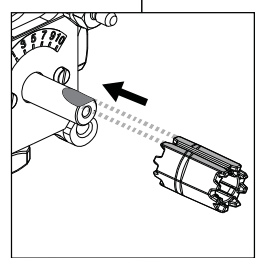
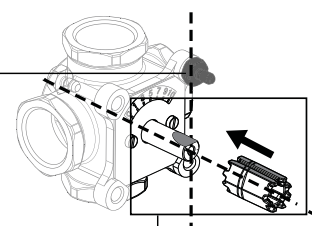


3

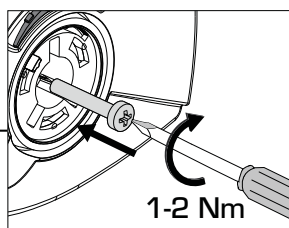
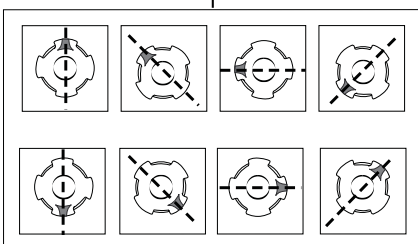
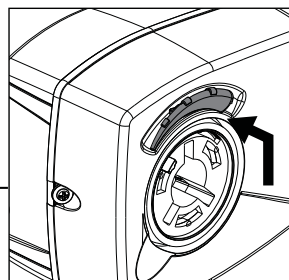
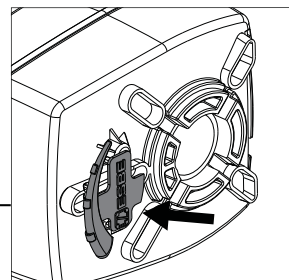
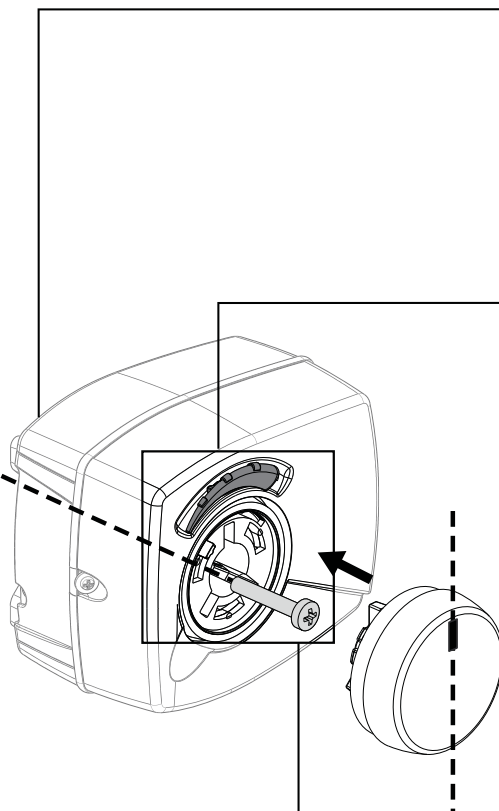
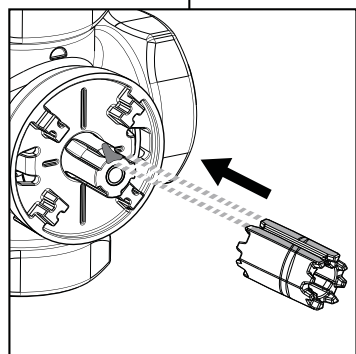
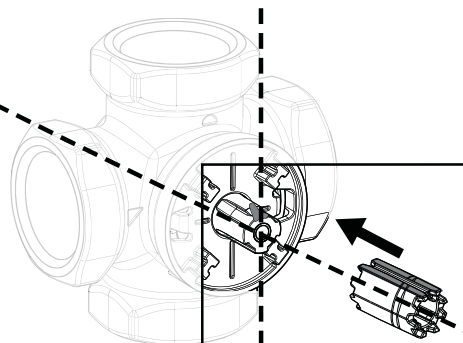


MG, G, F, H, HG, BIV, T, TM

	DN15-25	
	DN20-40	
	DN50	
	DN20-25	
	DN32-50	
	H DN25	
	H DN32-50	
	HG DN25	
	DN20-22	
	DN25	
	T, DN20-32	
	TM, DN20	



**VRG130, VRG140, VRG230,
VRG330, VRB140**



www.esbe.se

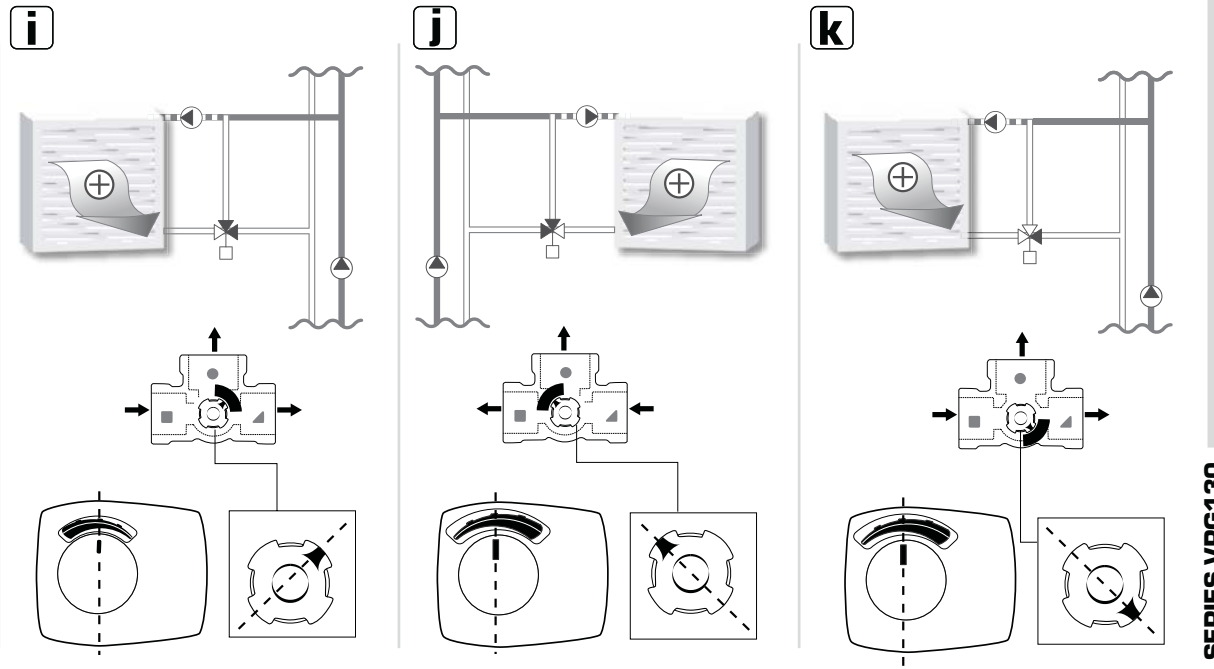
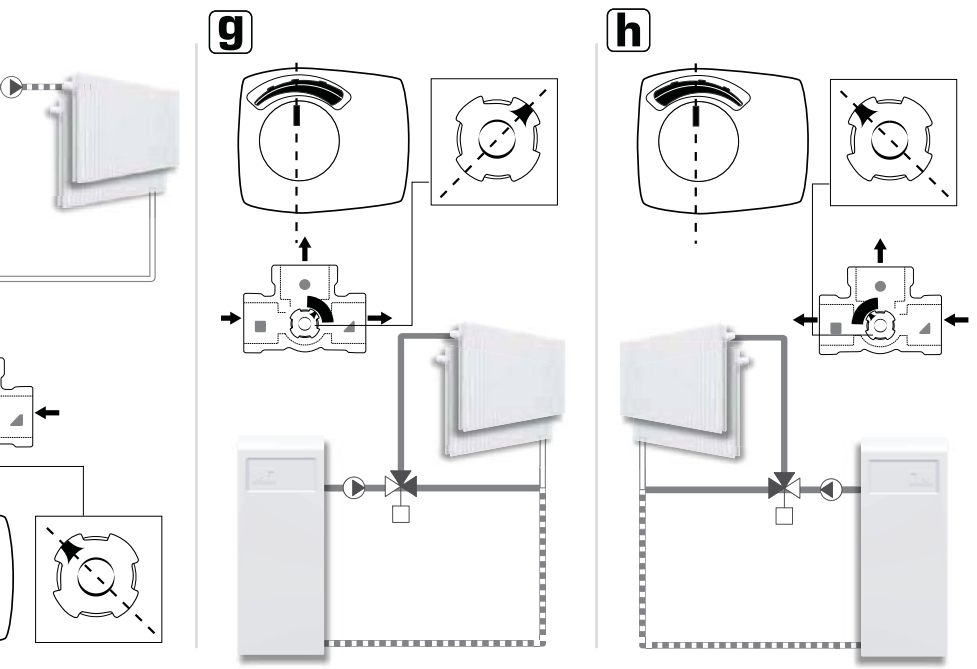
Mtrl.nr: 9814 02 76 • Ritnr: 8092 utg. H • Rev. 1204



SERIES ARA600 Prop

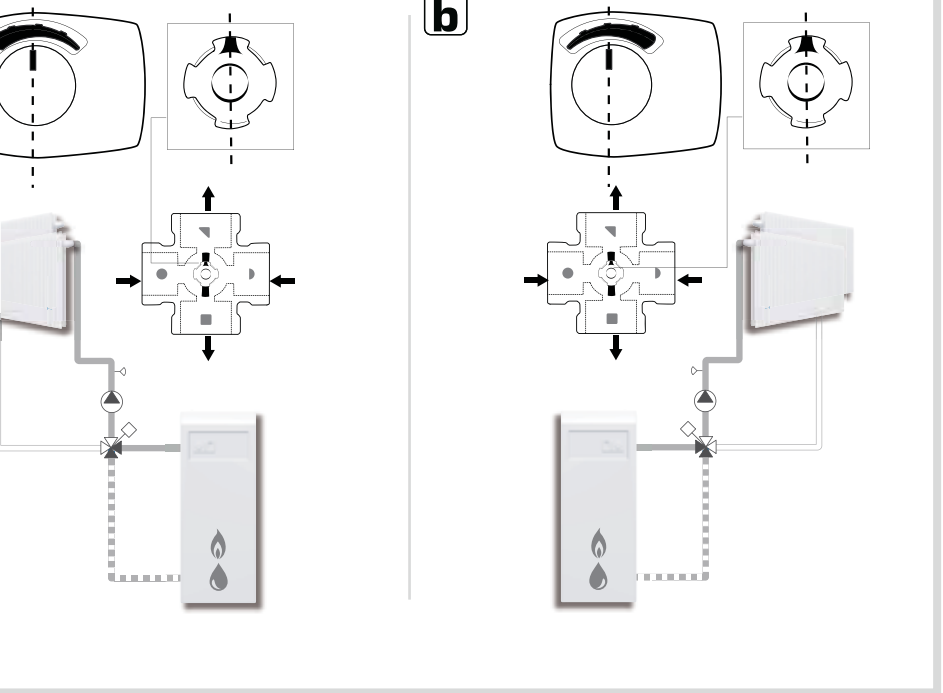


NO.1 IN HYDRONIC SYSTEM CONTROL

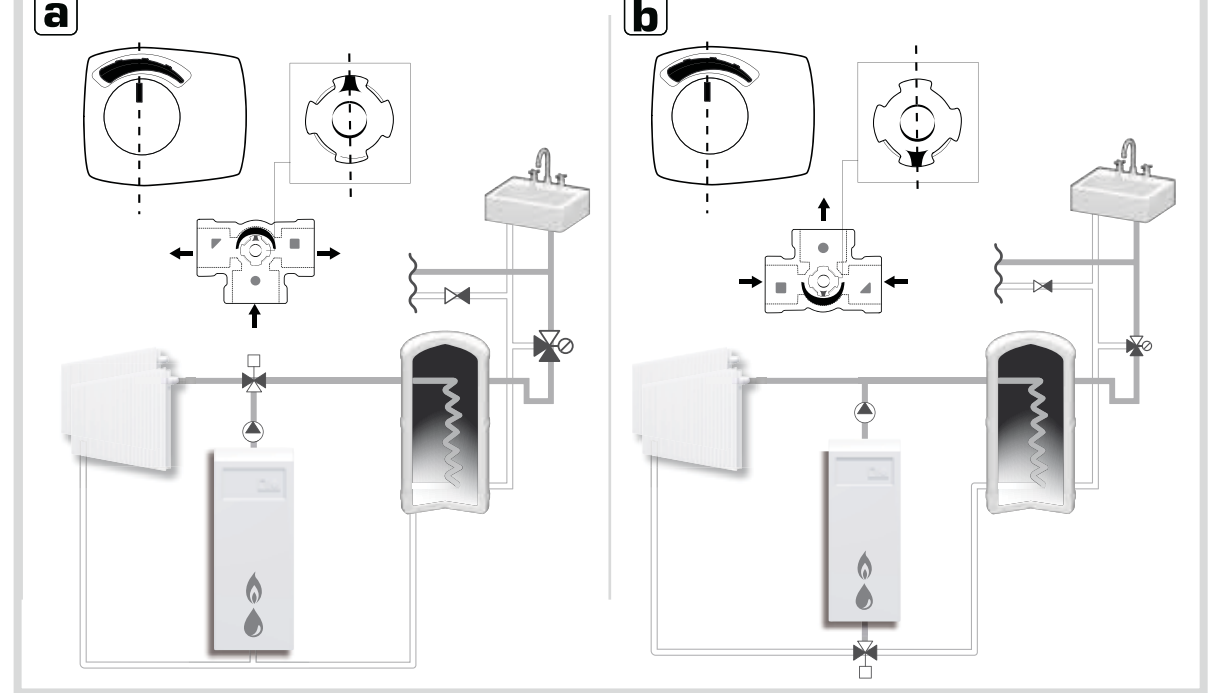


SERIES VRG130

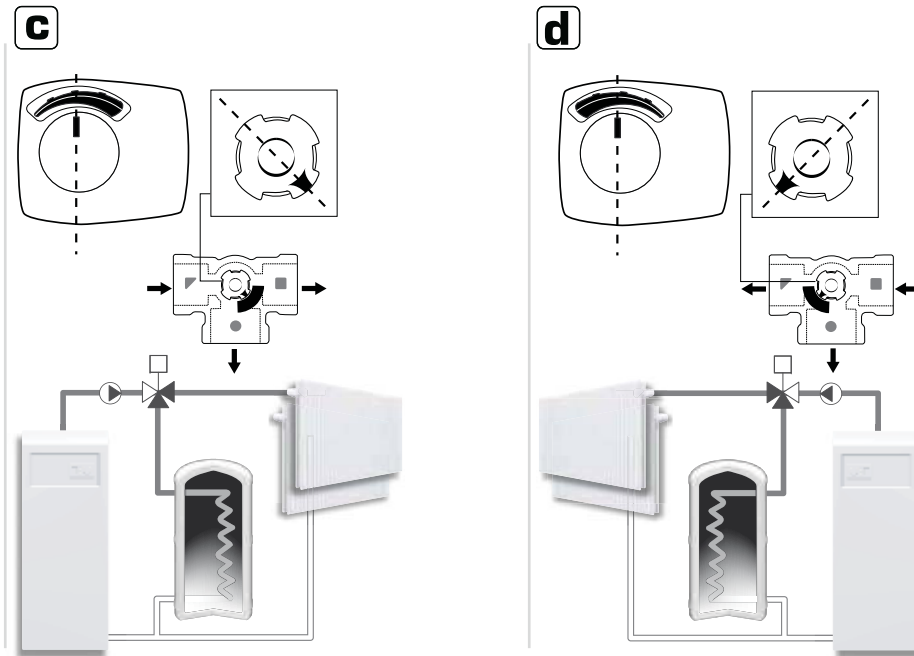
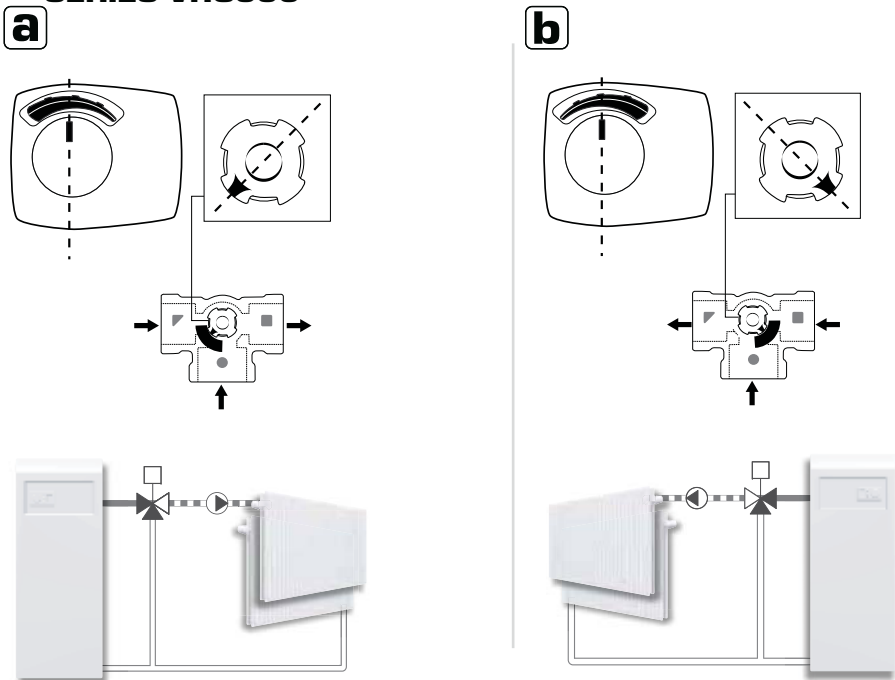
SERIES VRG140



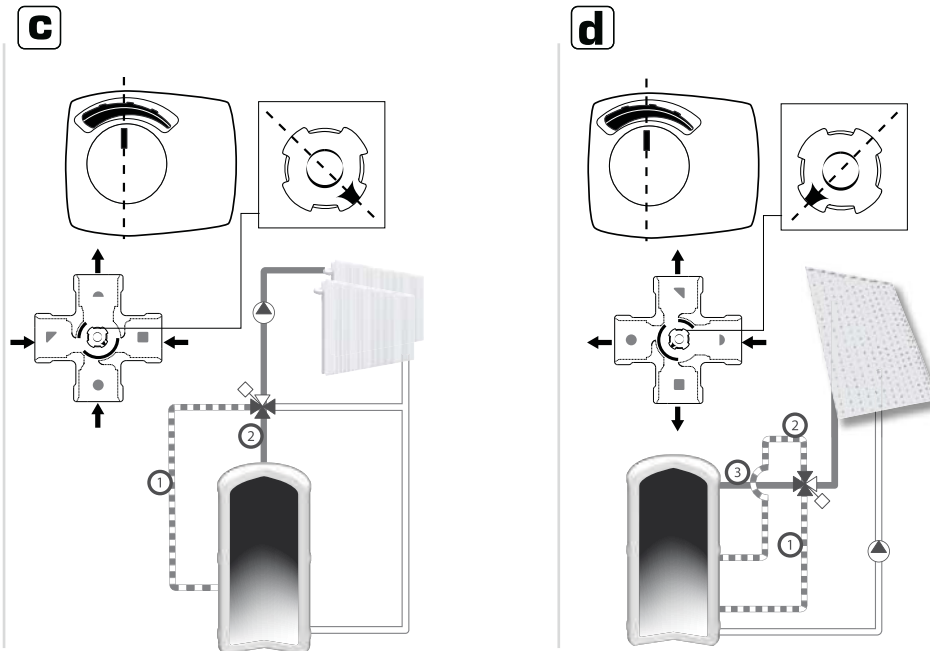
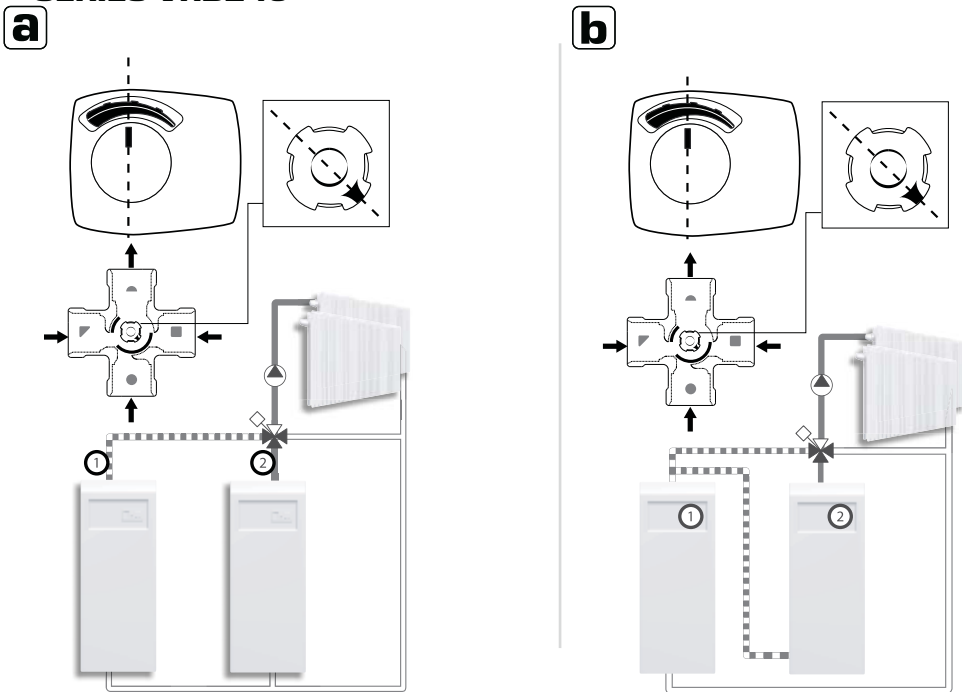
SERIES VRG230



SERIES VRG330



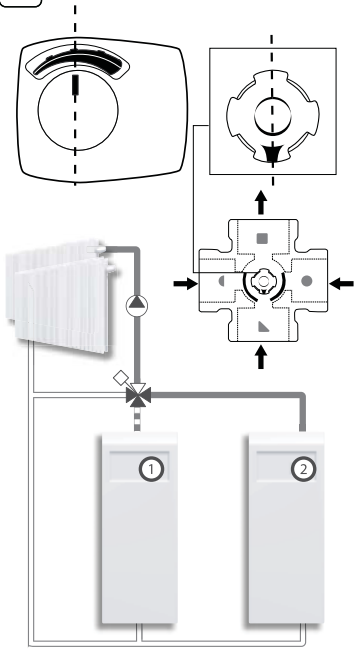
SERIES VRB240



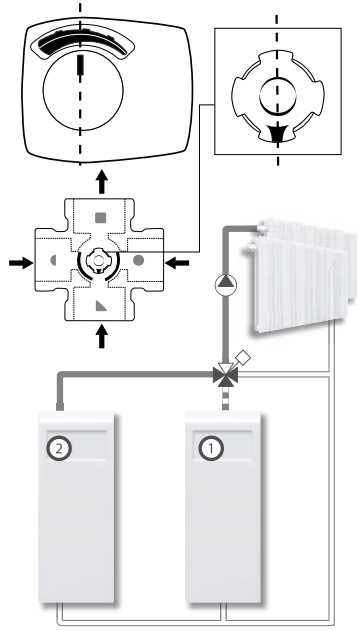
*We would like to pinpoint to the existence of a German patent DE 19821256C5 affecting the usage of bivalent 4-way valves in liquid circulation heating systems. In this patent the usage of a 4-way bivalent valve in a type of heating system is protected, in which 2 different heating circuits are operated in parallel, where the return of the first circuit is utilized as heat source for the second circuit. The patent is owned by the company Buderus AG. The patent is not applicable in countries where the floor heating in a regulated manner is heated through its heat source and the return from the primary heat circuit is utilized as alternative secondary heat source for the floor heating. Such a utilization of our product group VRB are without approval of the patent holder is forbidden. All other applications of our product group VRB are without restrictions possible.

SERIES VRB140

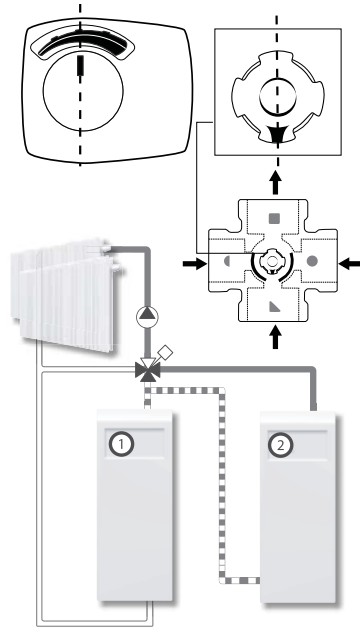
a



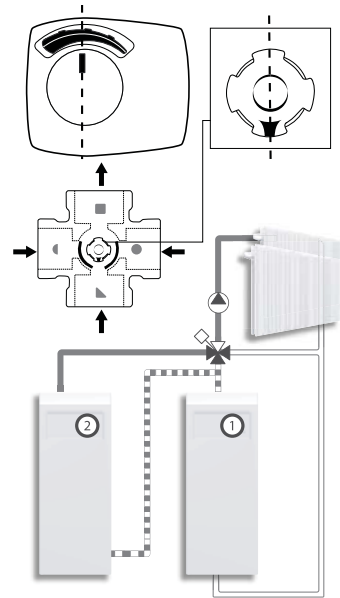
b



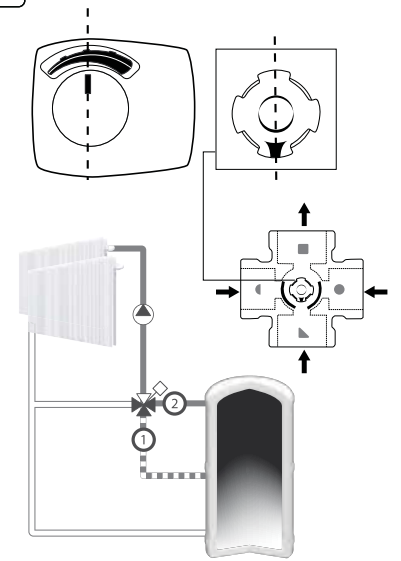
c



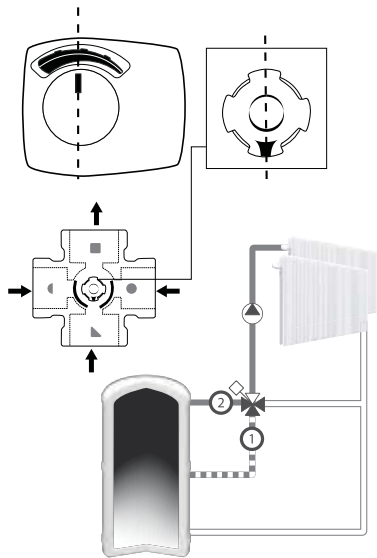
d



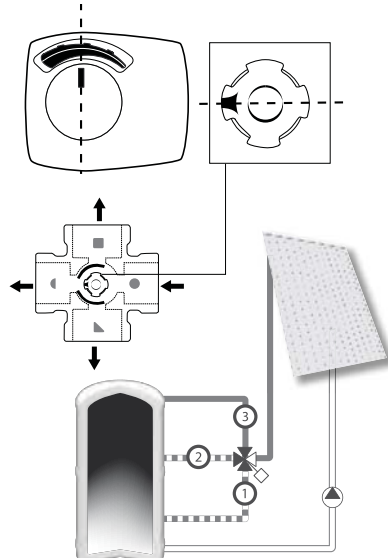
e



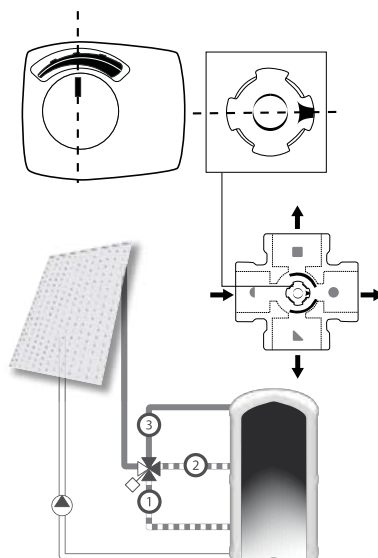
f



g



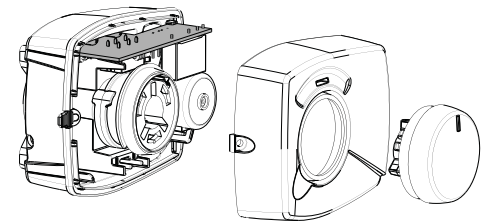
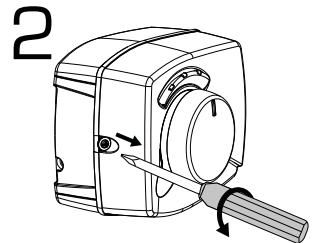
h



4

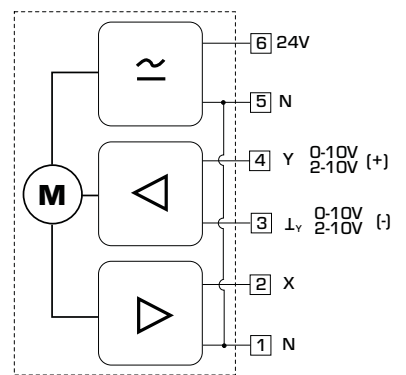
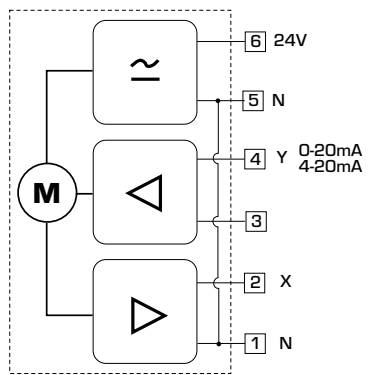
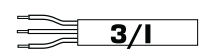
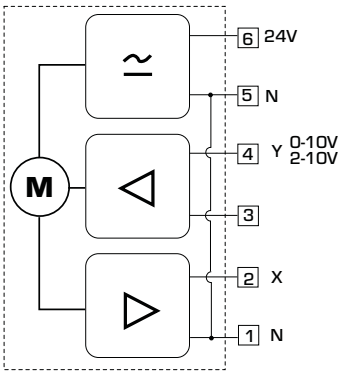
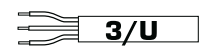
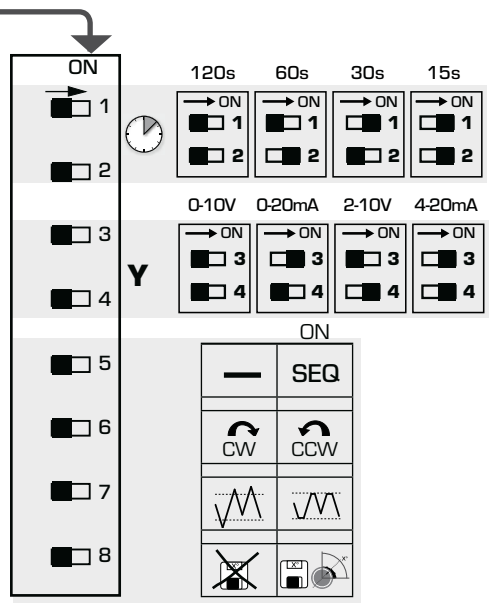
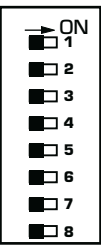


~~1~~

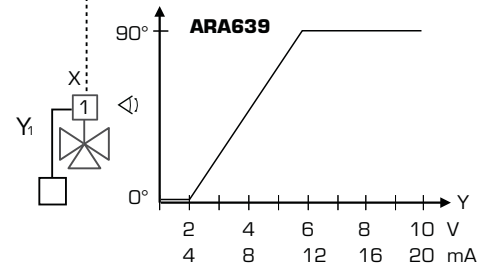
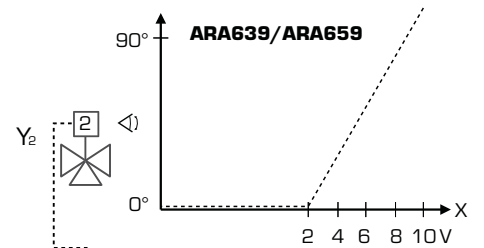
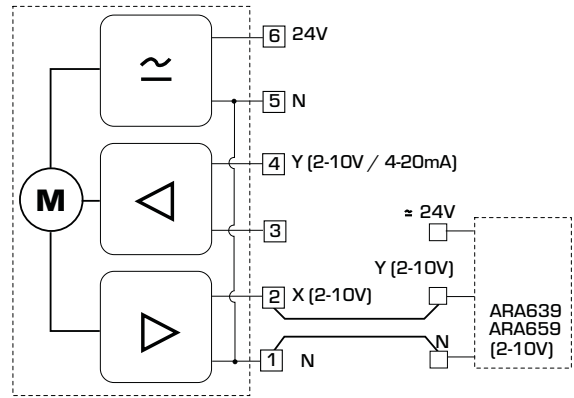
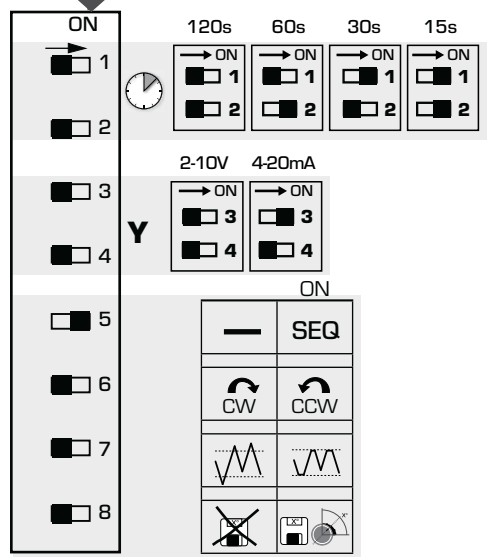
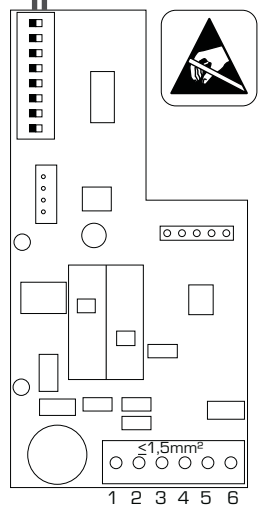




Series ARA639

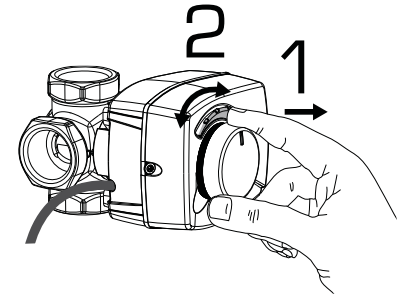
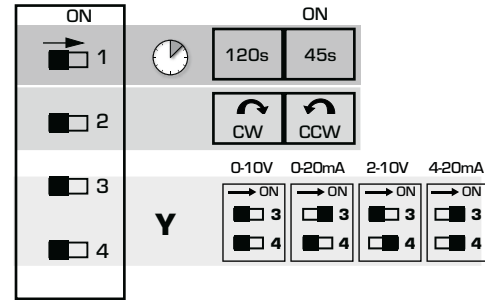
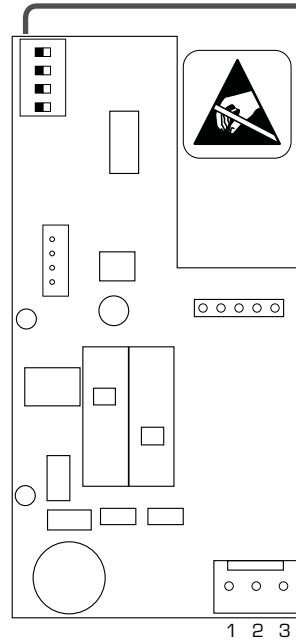
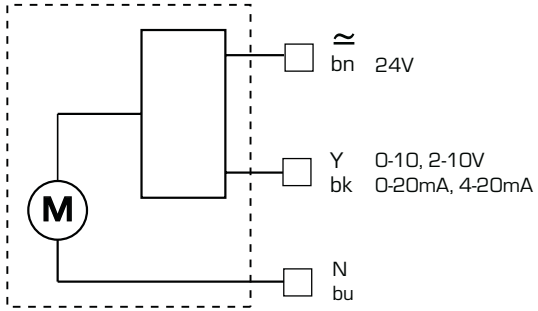


SEQ Cntrl





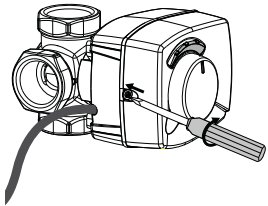
Series ARA659



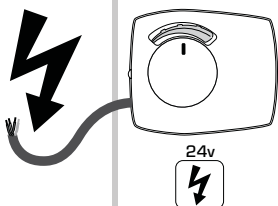
5



1



2



3

