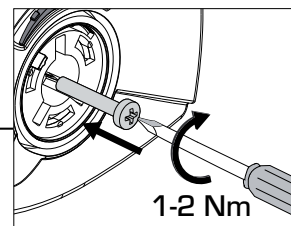
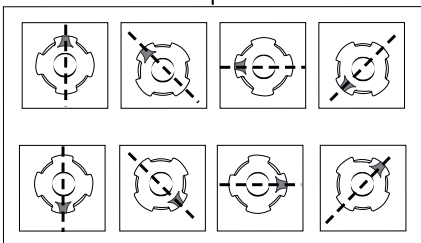
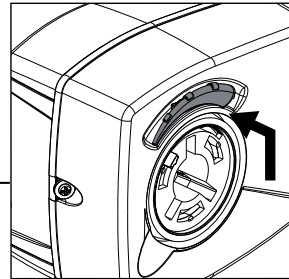
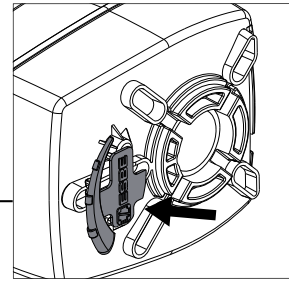
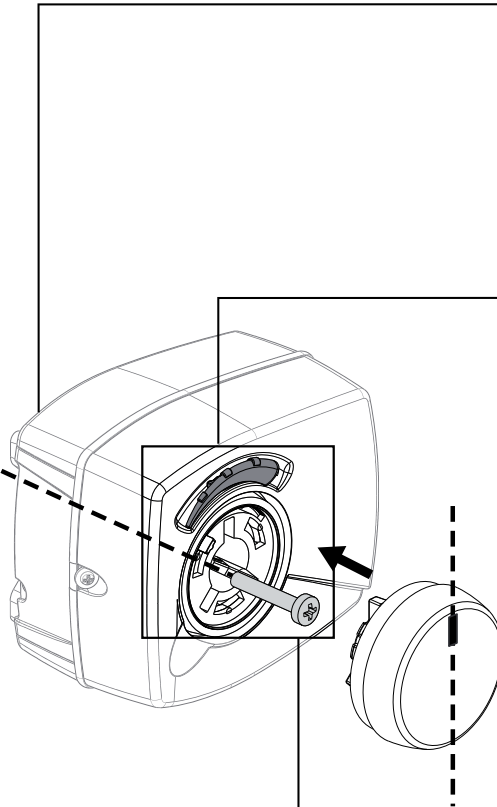
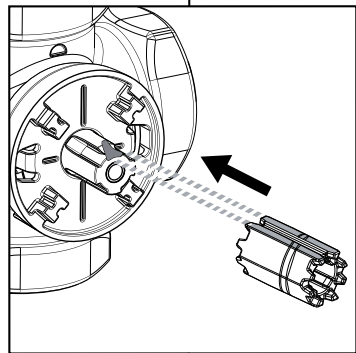
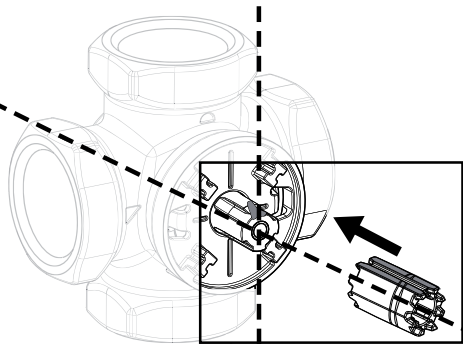
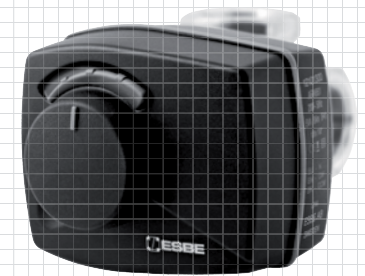


**VRG130, VRG140,
VRG230, VRG330**



www.esbe.se

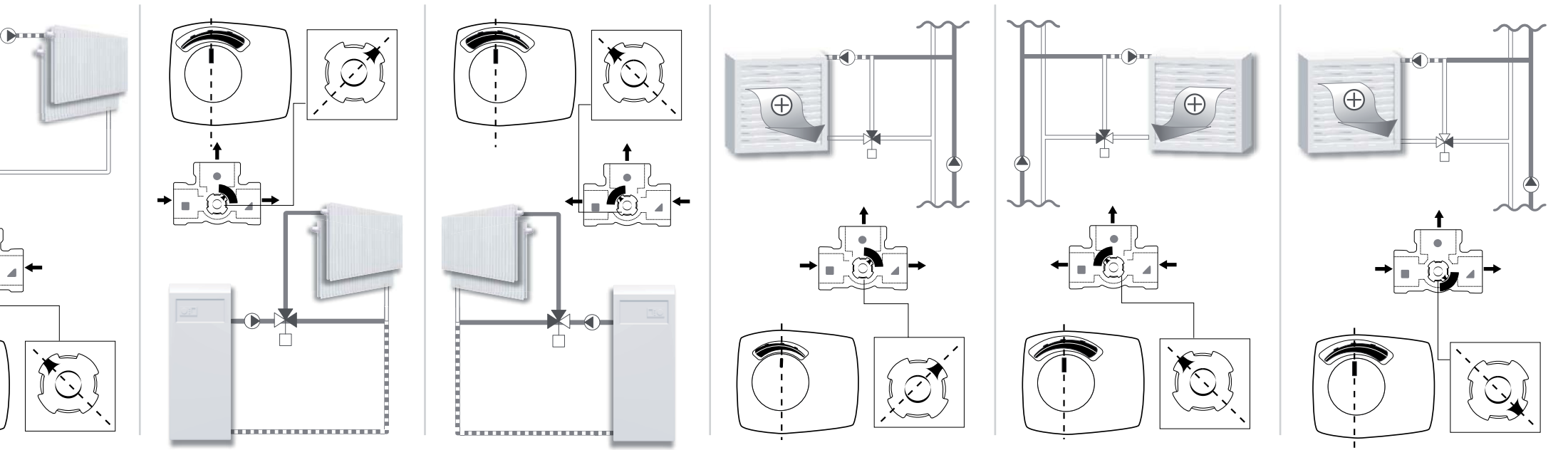
Mtrl.nr. 9814 02 74 • Ritn.nr. 8080 utg. C • Rev.1008



SERIES ARA600 2-Point

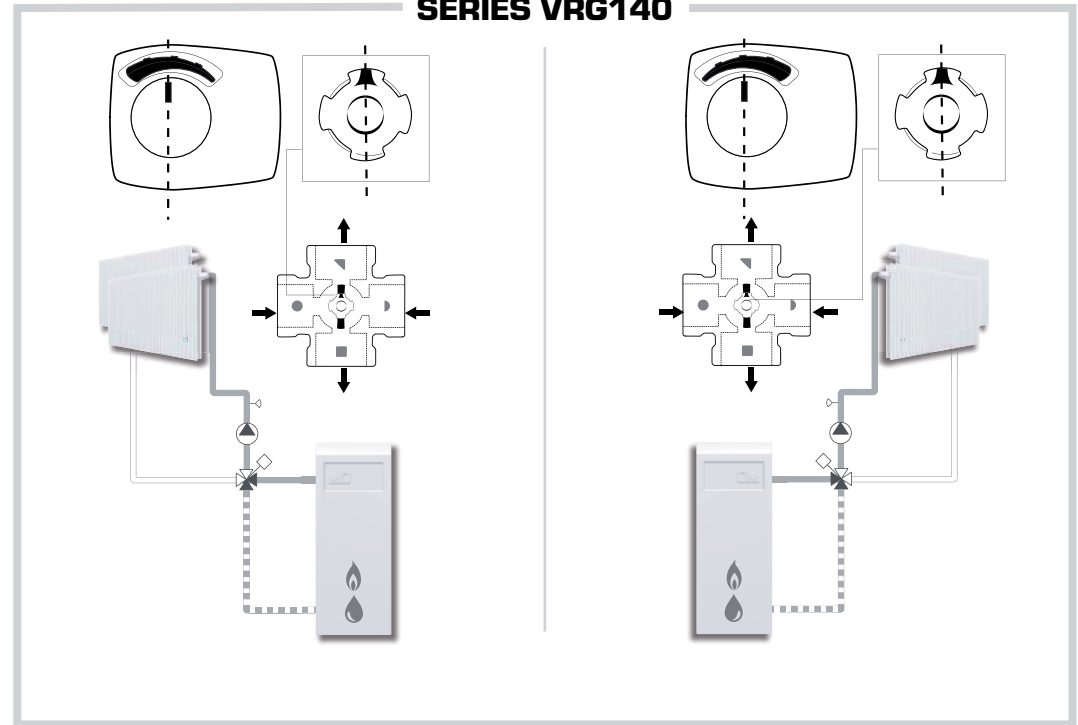


NO.1 IN HYDRONIC SYSTEM CONTROL



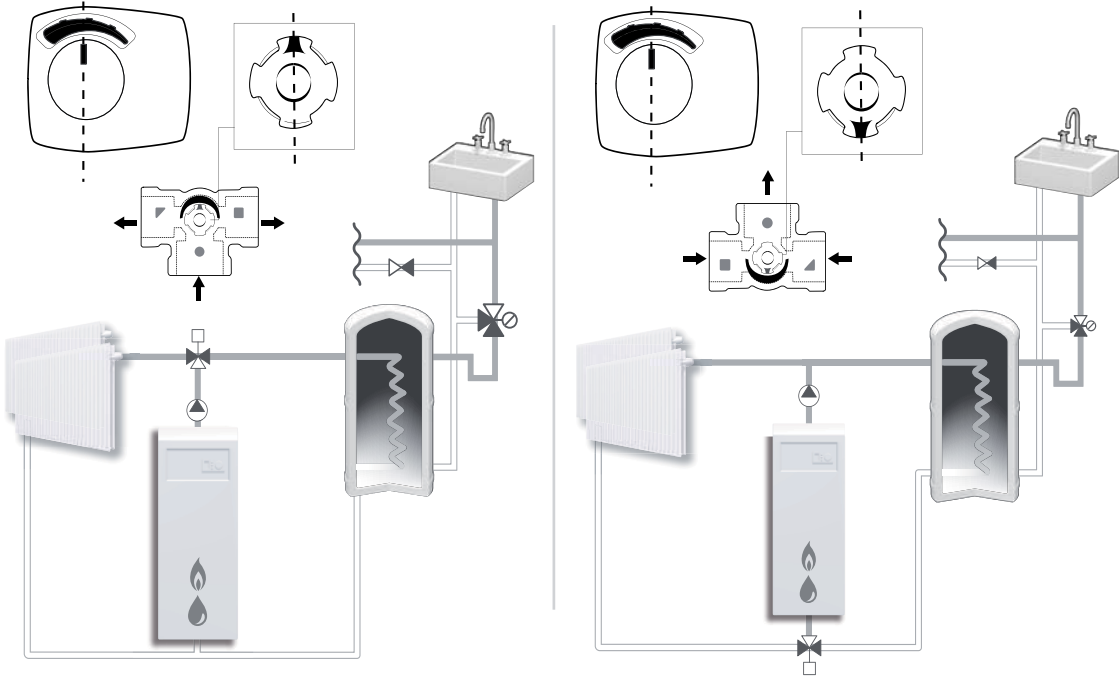
SERIES VRG130

SERIES VRG140

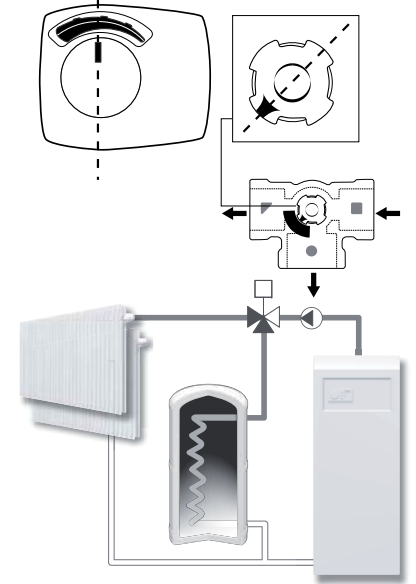
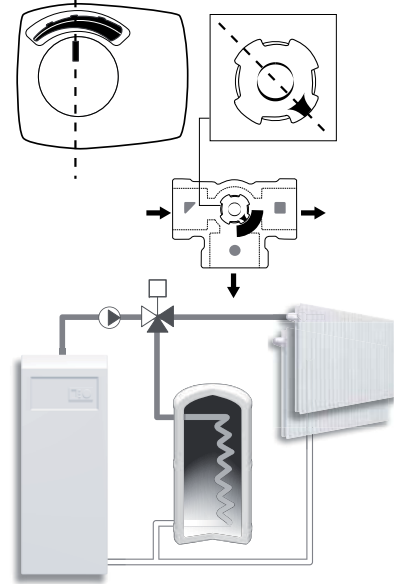
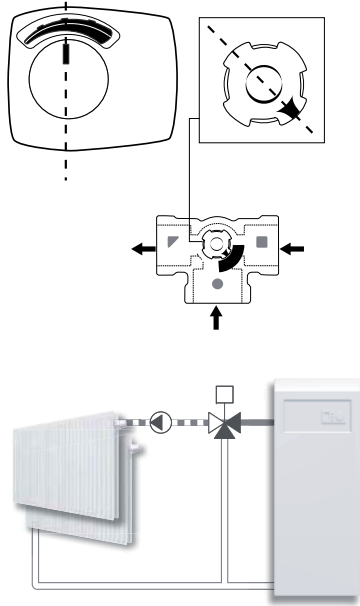
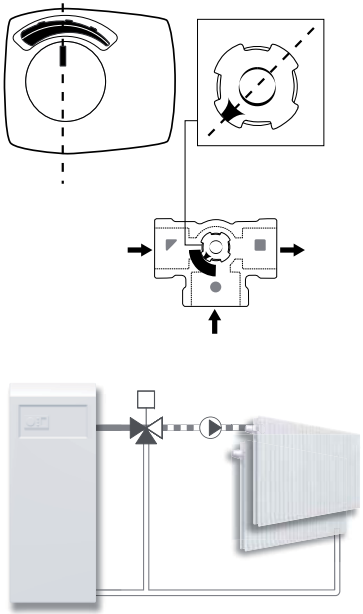


Piping Schematics are General Representations

SERIES VRG230

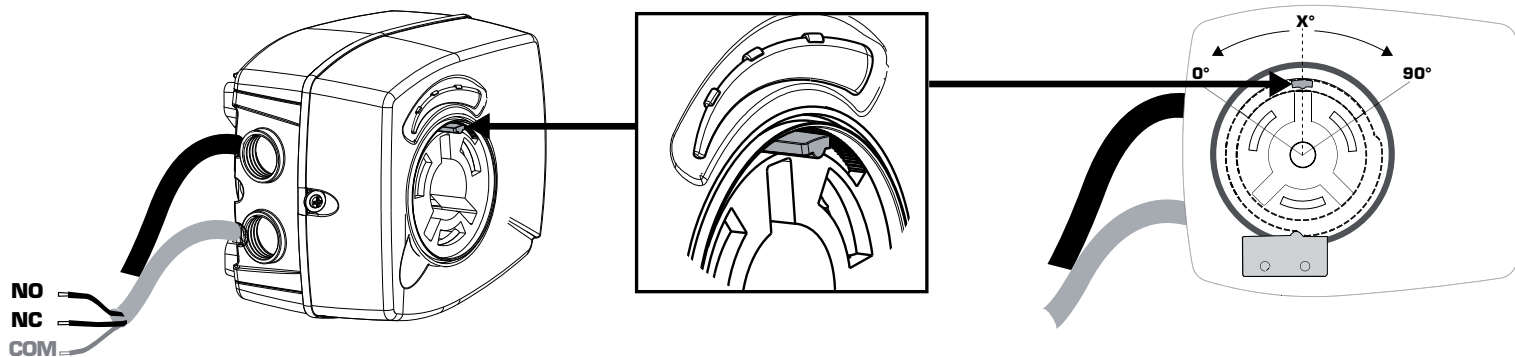


SERIES VRG330





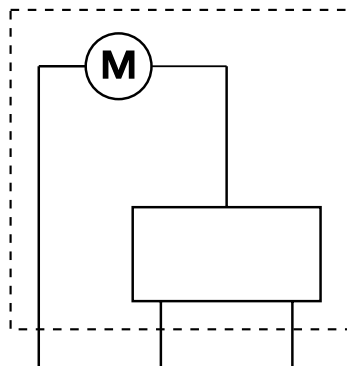
SERIES ARA636, ARA638, ARA646, ARA648, ARA656, ARA658



	0° - X°	X° - 90°
NO		
NC		
	X° = 45°	



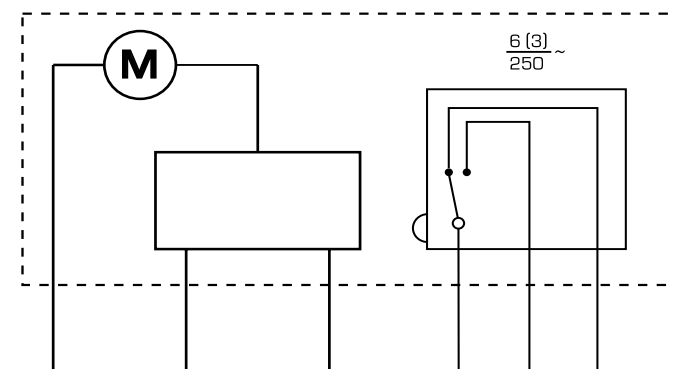
Series ARA635, ARA637, ARA645, ARA647, ARA655, ARA657



2points	N bu	Y bk	L bn
3points	N bu	CCW bk	CW bn



Series ARA636, ARA638, ARA646, ARA648, ARA656, ARA658



2points	N bu	Y bk	L bn	C wh	NO rd	NC og
3points	N bu	CCW bk	CW bn	C wh	NO rd	NC og



1



DIR

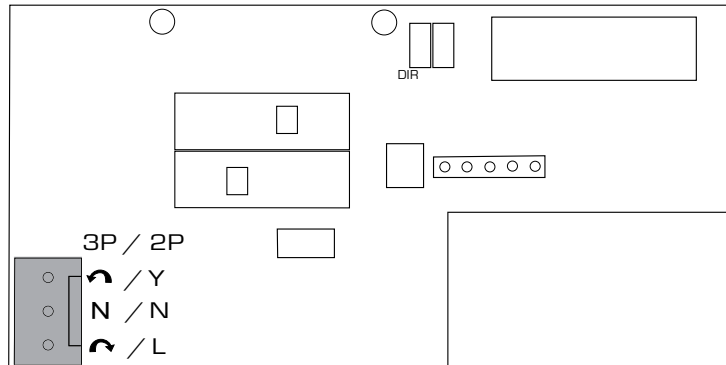
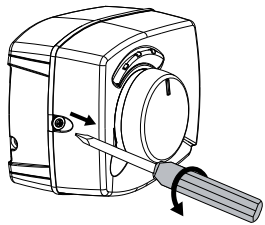
CCW



CW



2



2

1

