

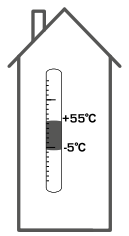


SERIES CRA110



Series CRA111
Series CRA112

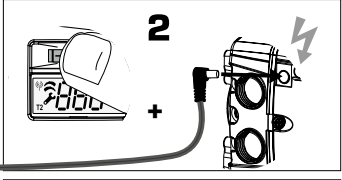
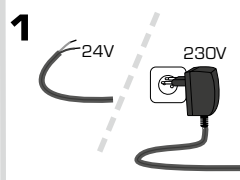
CE
LVD 2006/95/EC
EMC 2004/108/EC
RoHS 2002/95/EEC



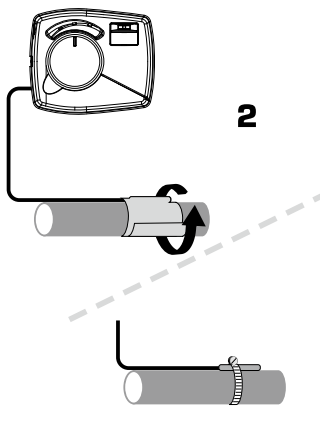
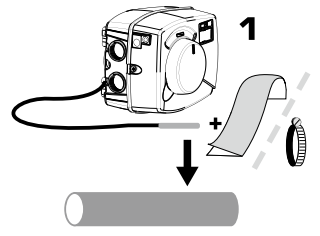
Modellnr. 9814 03 90 • Rittnr. 9210 utg. B • Rev. 1012



-	OK	+
		CCW
		CW
RESET		

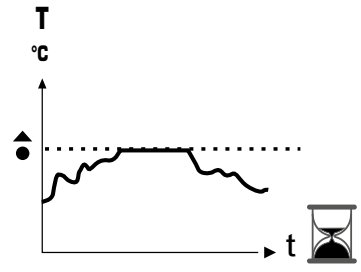
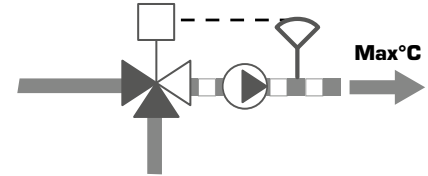


	=		+			24V / 230V
	=		+			24V / 230V
	=		+			24V / 230V

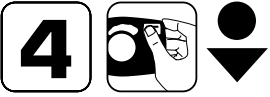
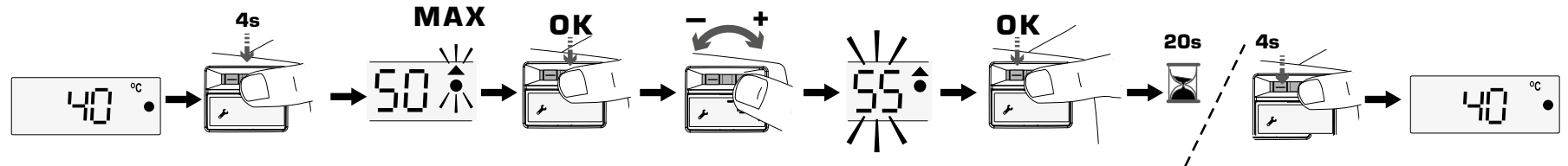




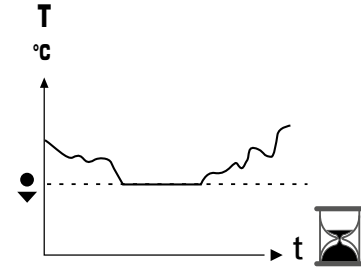
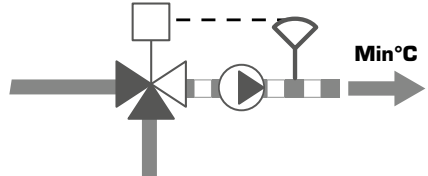
▲ = MAX



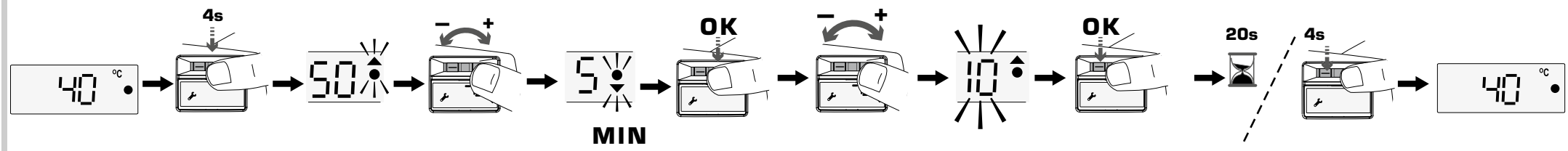
	50 °C
	~40 - 50 °C
	~60 - 80 °C
	60 °C




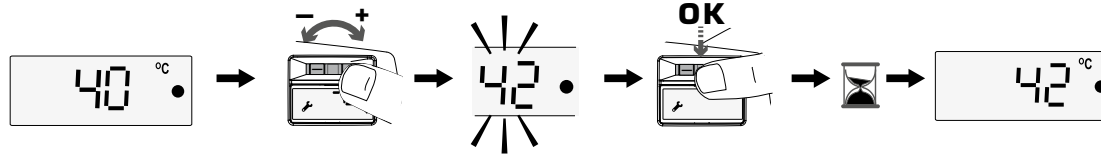
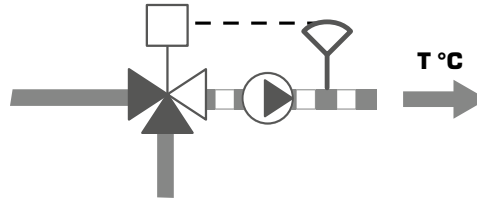
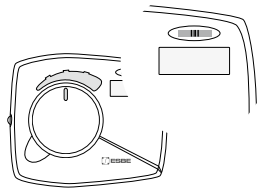
▼ = MIN



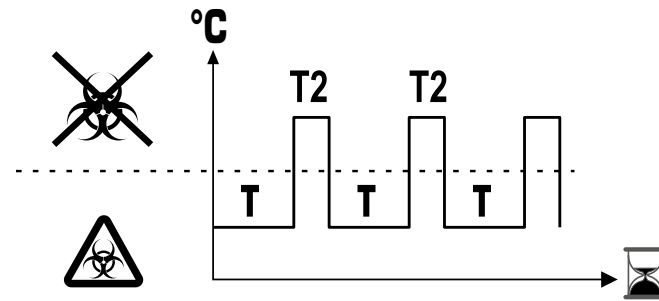
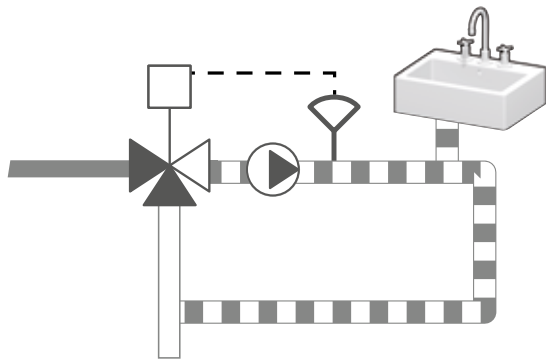
	5 °C
	~5 - 25 °C
	~5 - 25 °C
	~5 - 25 °C

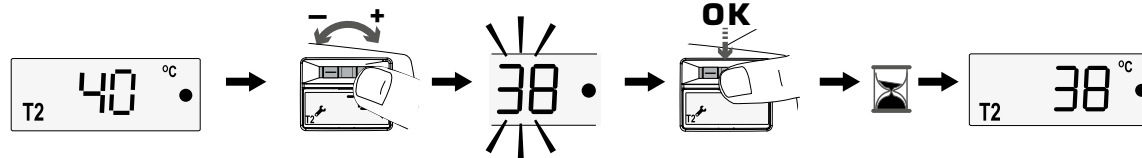
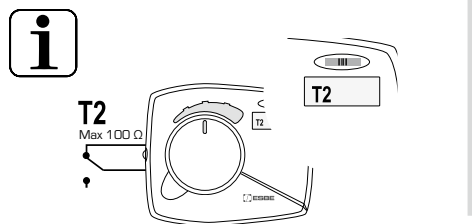
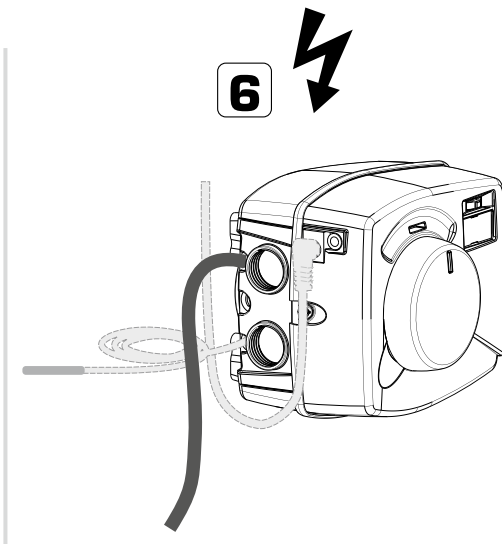
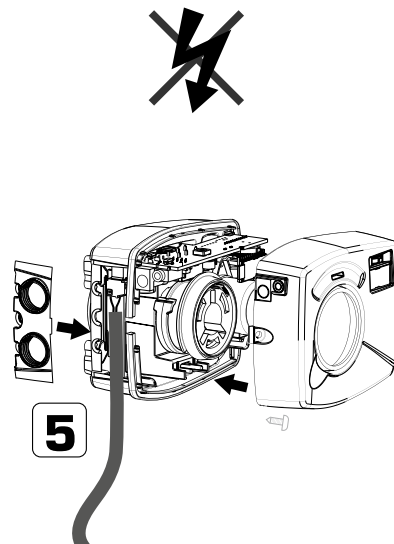
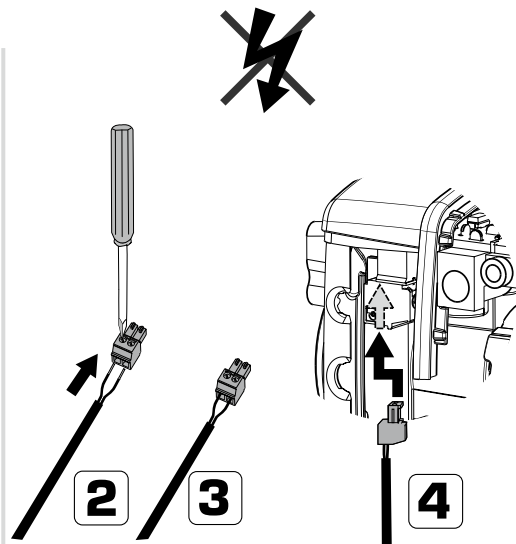
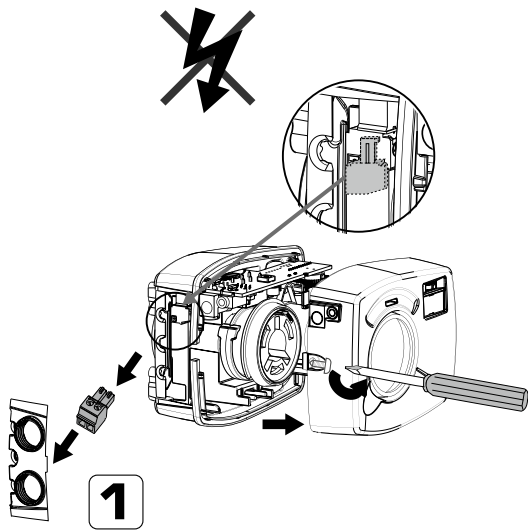


5  **T**



6  **T2**





T

