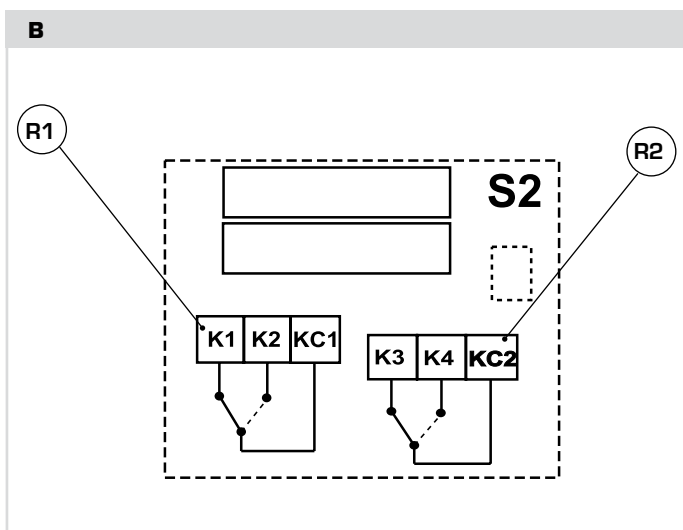
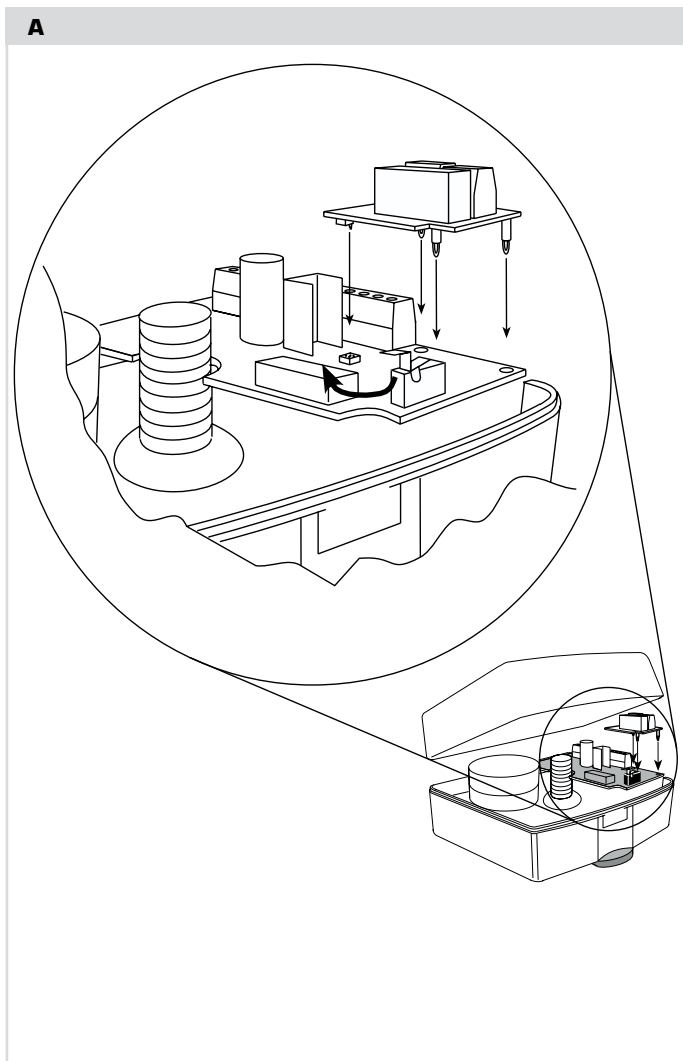


Options Series ALB

End position contacts Art. No. 2620 07 00



Art.Nr. 9814 01 79 • Ritn.Nr. 3498 utg. B • Rev. 0610



ENGLISH

Assembly [A]

Electrical connection [B]

R1 = Closing relay, R2 = Opening relay

K1, K3 = Non ending position / K2, K4 = Ending position

SVENSKA

Montering [A]

Elektrisk inkoppling [B]

R1 = Stängningsrelä, R2 = Öppningsrelä

K1, K3 = Ej ändläge / K2, K4 = Ändläge

DEUTSCH

Zusammenbau [A]

Elektrischer Anschluß [B]

R1 = Schließerrelais, R2 = Öffnungsrelais

K1, K3 = Nicht Endlage / K2, K4 = Endlage

FRANÇAIS

Montage [A]

Branchement électrique [B]

R1 = Relais de fermeture, R2 = Relais d'ouverture

K1, K3 = Position repos / K2, K4 = Position contact (travail)