



www.esbe.se



SERIES VTC500



NO.1 IN HYDRONIC SYSTEM CONTROL

Mtrl.nr: 9814 02 98 • Rit.nr: 9144 utg.B • Rev. 0812

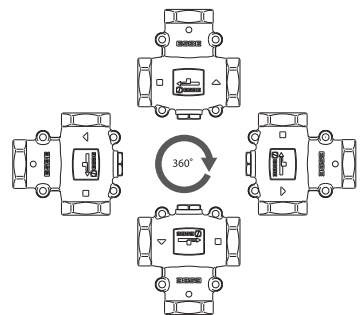
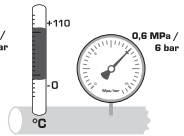
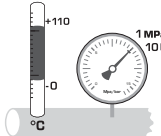


Series VTC511
Series VTC512
Series VTC531

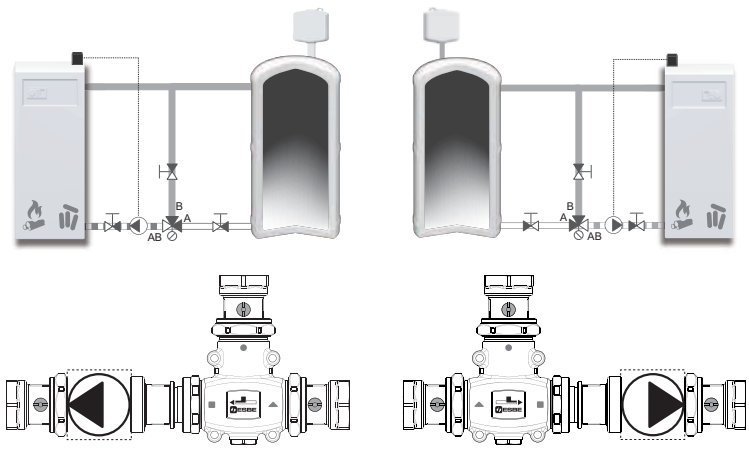
CE
PED 97/23/EC

Series VTC511
Series VTC512

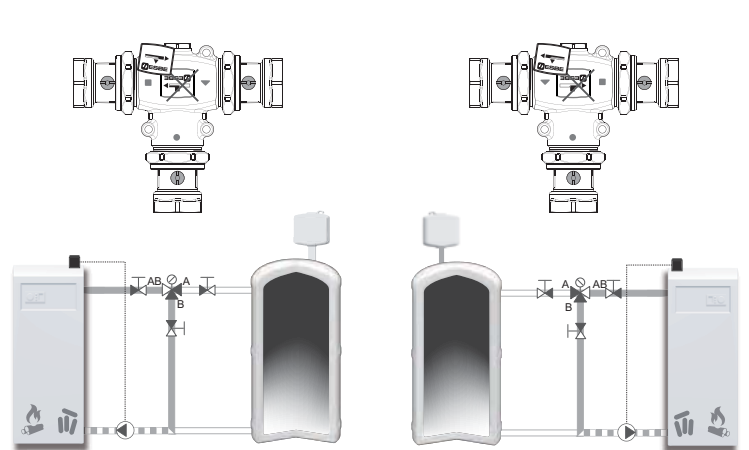
Series VTC531



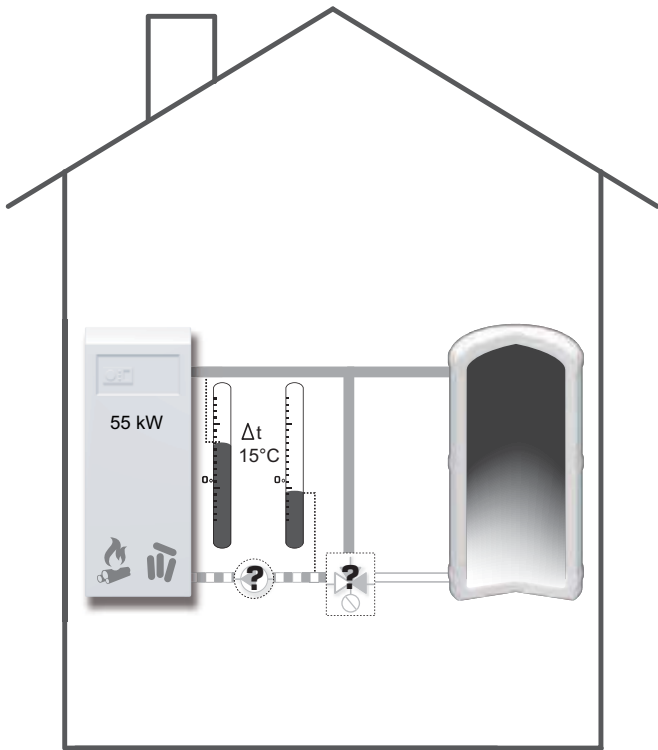
50/55/60/65/70/75 °C



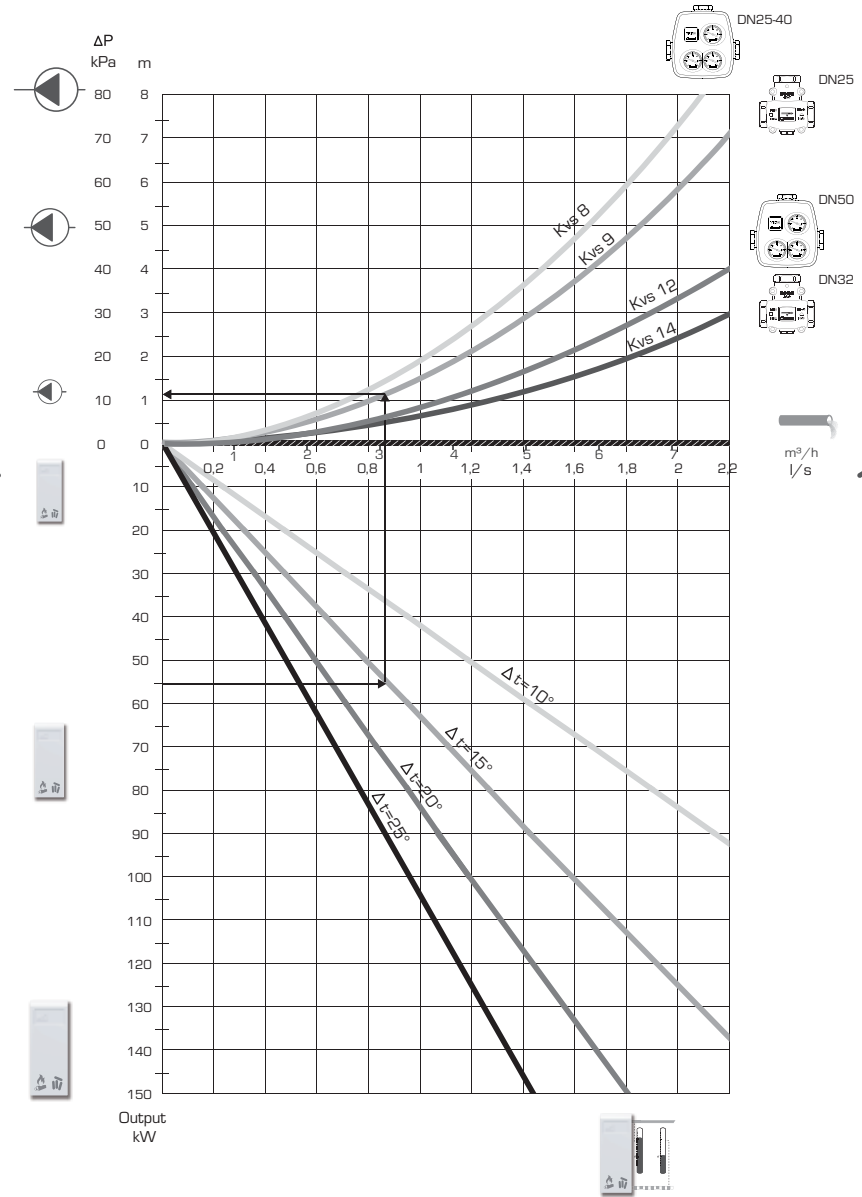
70/75 °C



1



2



3

