



www.esbe.se

Mtrl.nr: 9814 02 99 • Rit.nr: 9145 utg. A • Rev. 0711



SERIES LTC100

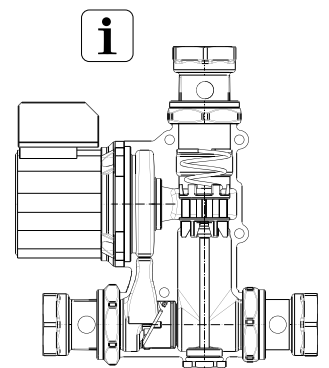
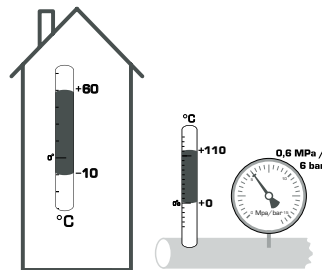


NO.1 IN HYDRONIC SYSTEM CONTROL.



Series LTC141
Series LTC143
Series LTC171

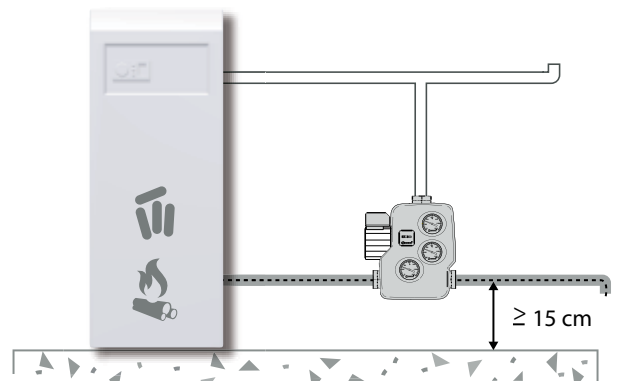
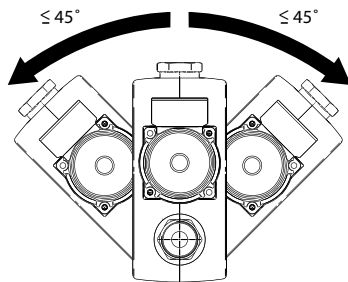
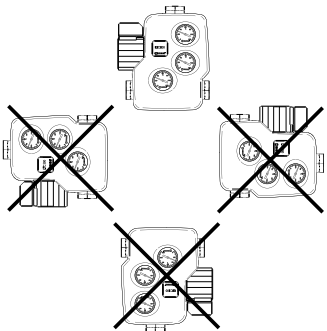
CE
LVD 73/23/EEC
EMC 89/336/EEC
PED



1

2

3

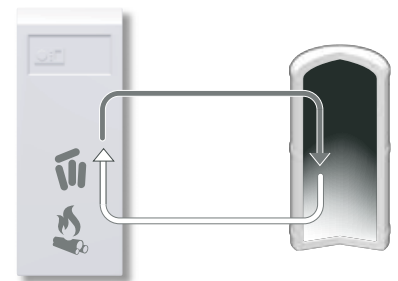
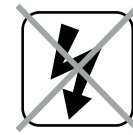
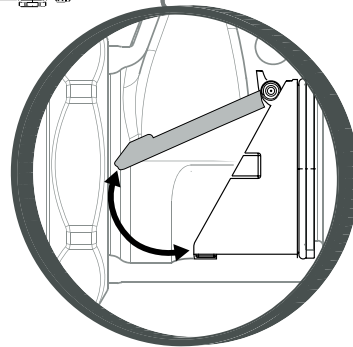
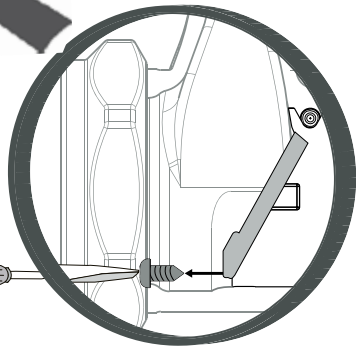
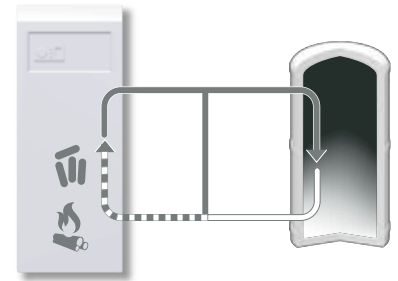
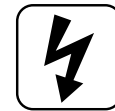
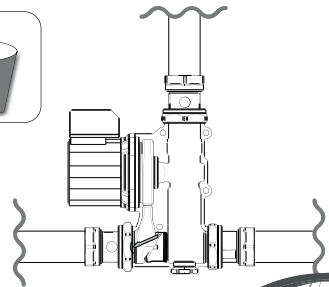
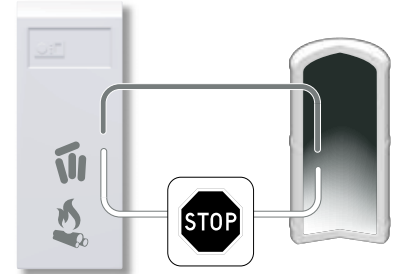
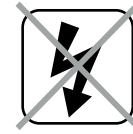
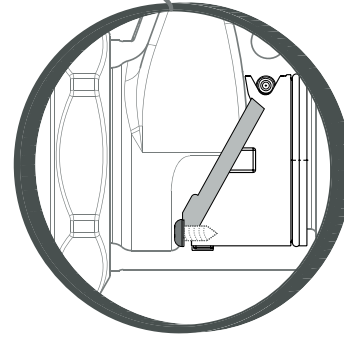
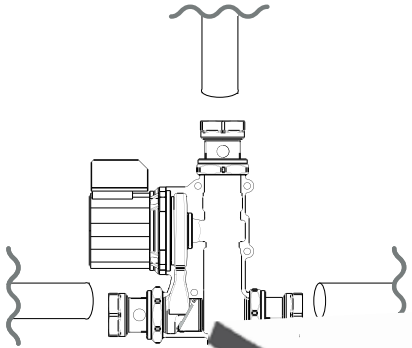
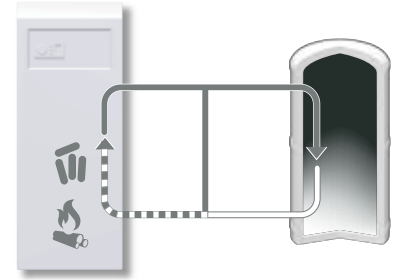
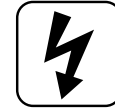
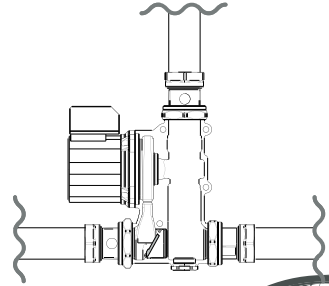


4

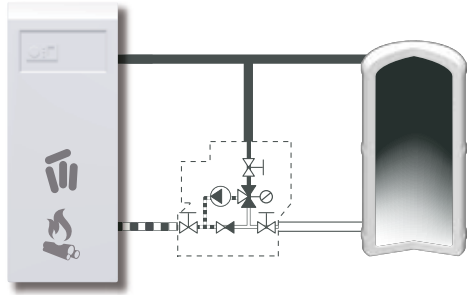
a

b

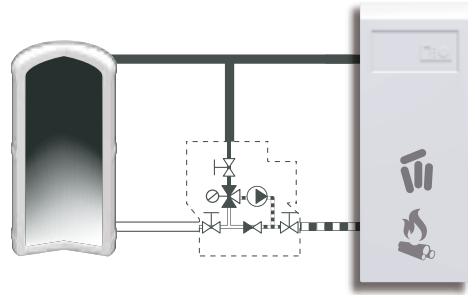
c



5a

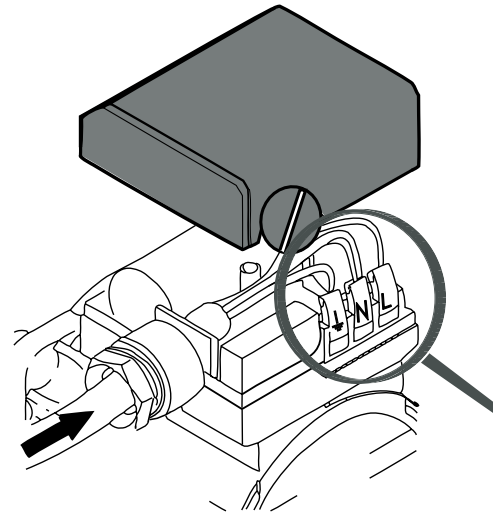


5b



230 VAC, 50Hz

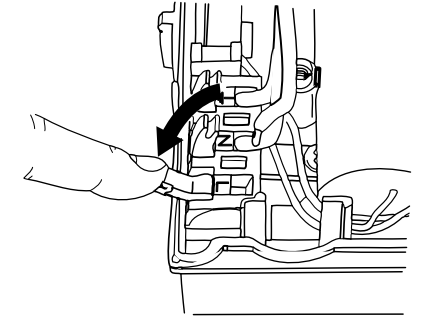
6a



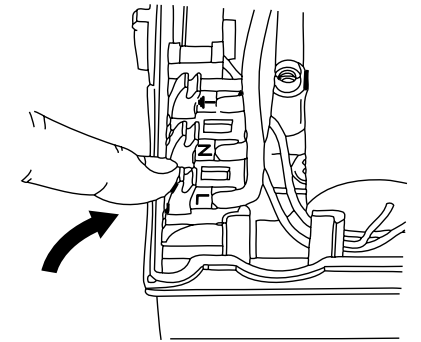
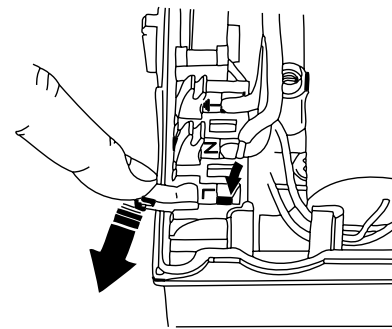
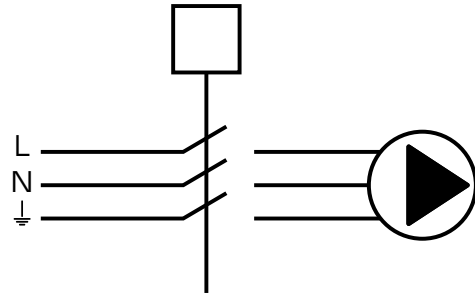
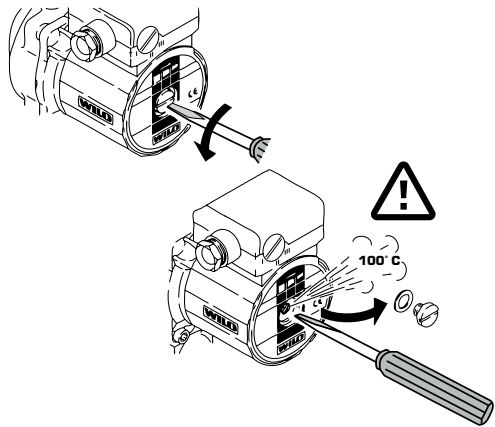
6c

6b

230 VAC, 50Hz

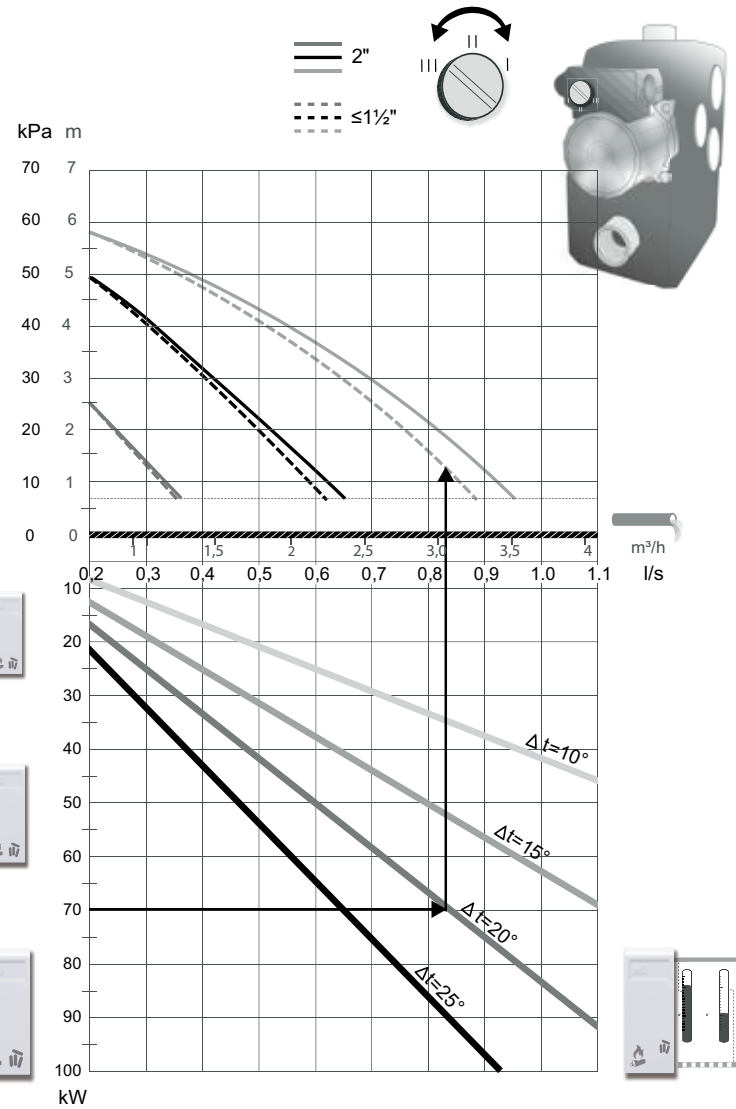
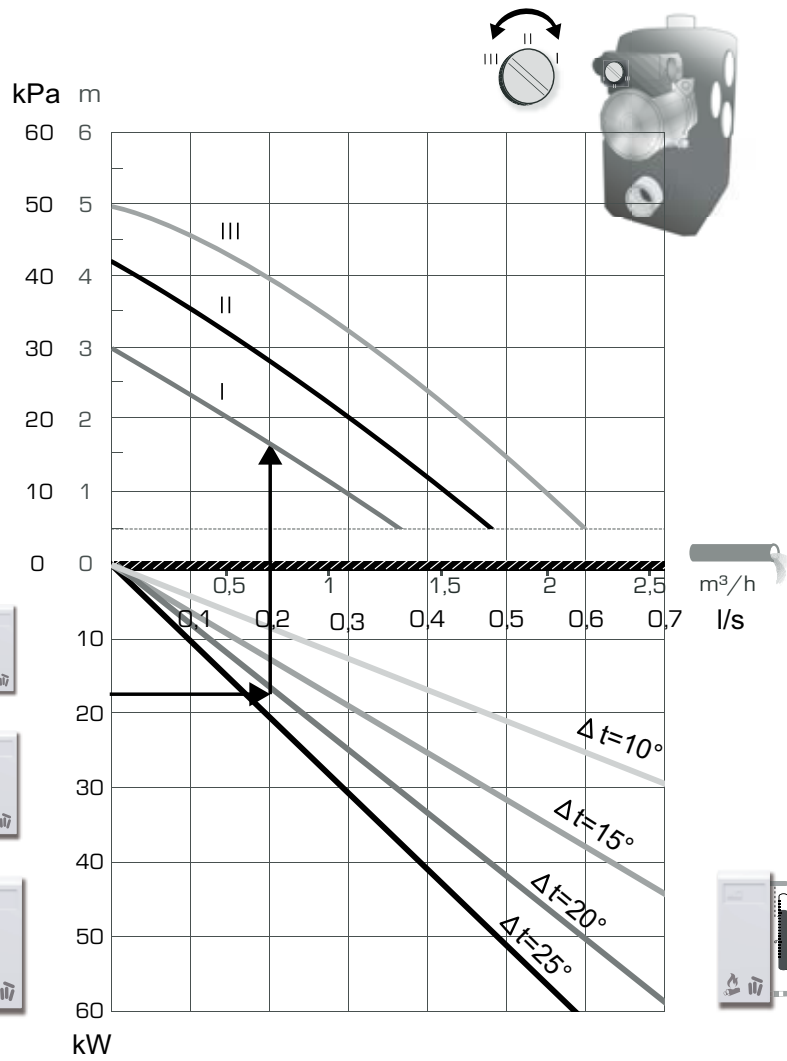


6d



LTC140

LTC170



1	2	3	4	5	6
kW	→	Δt	↑		