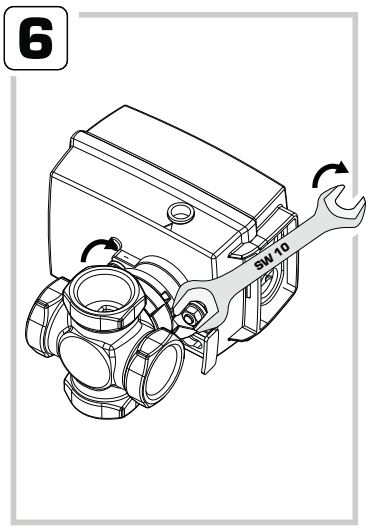
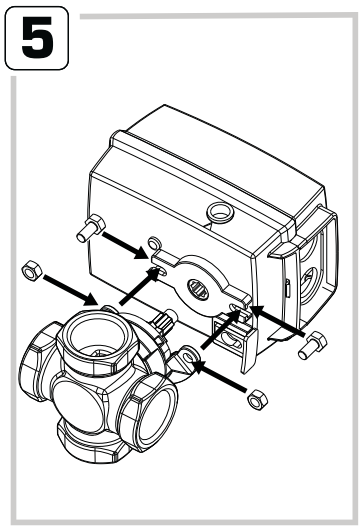
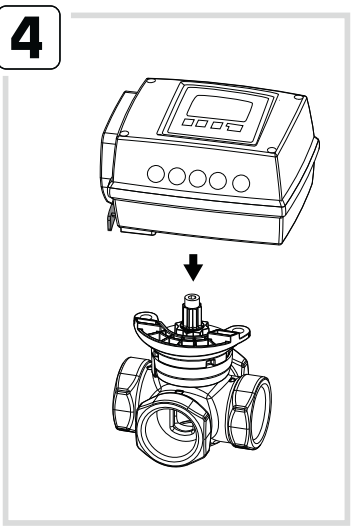
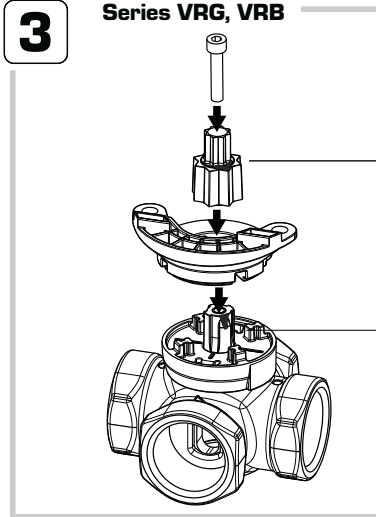
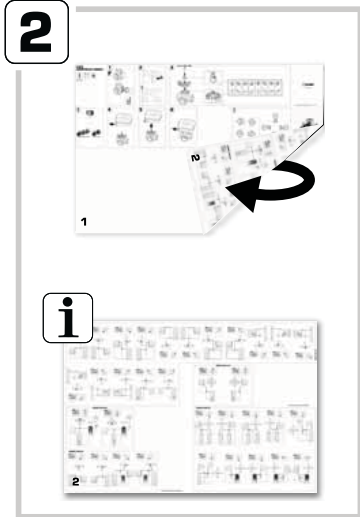
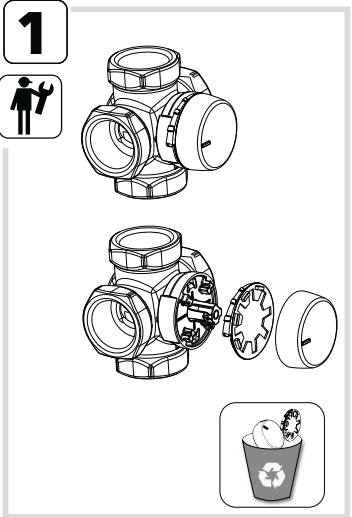
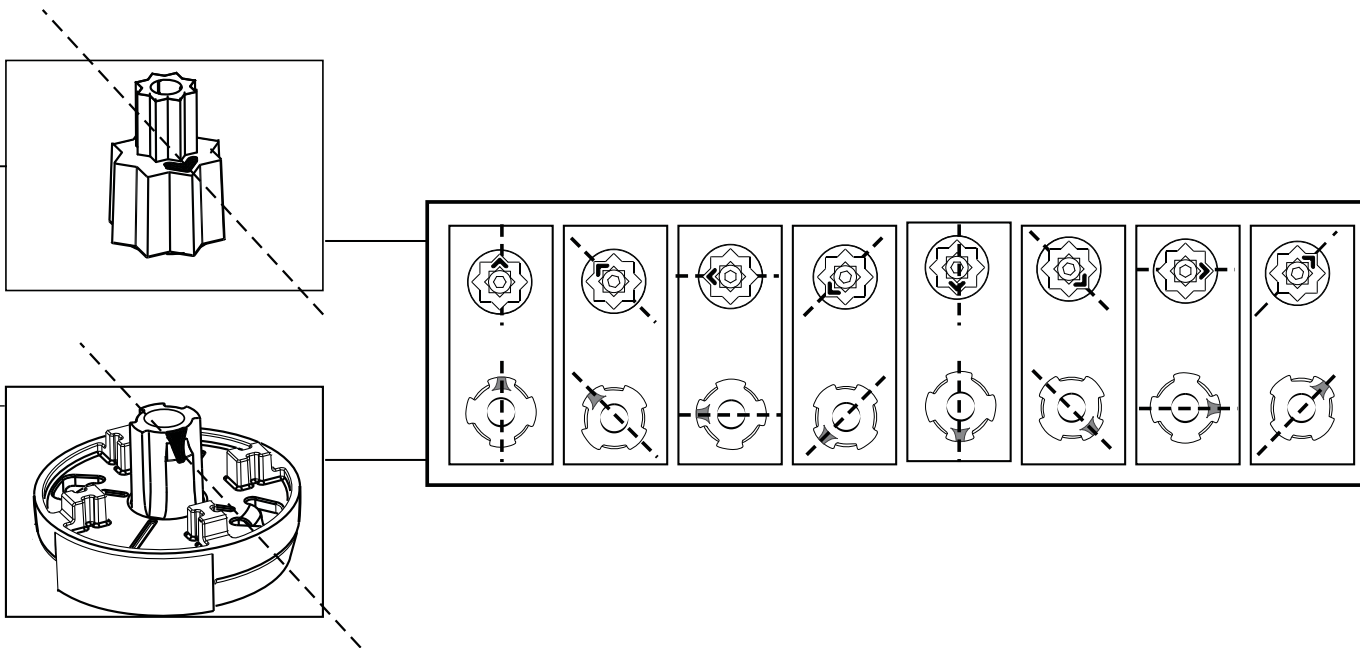


ESBE ADAPTER KIT VRG801



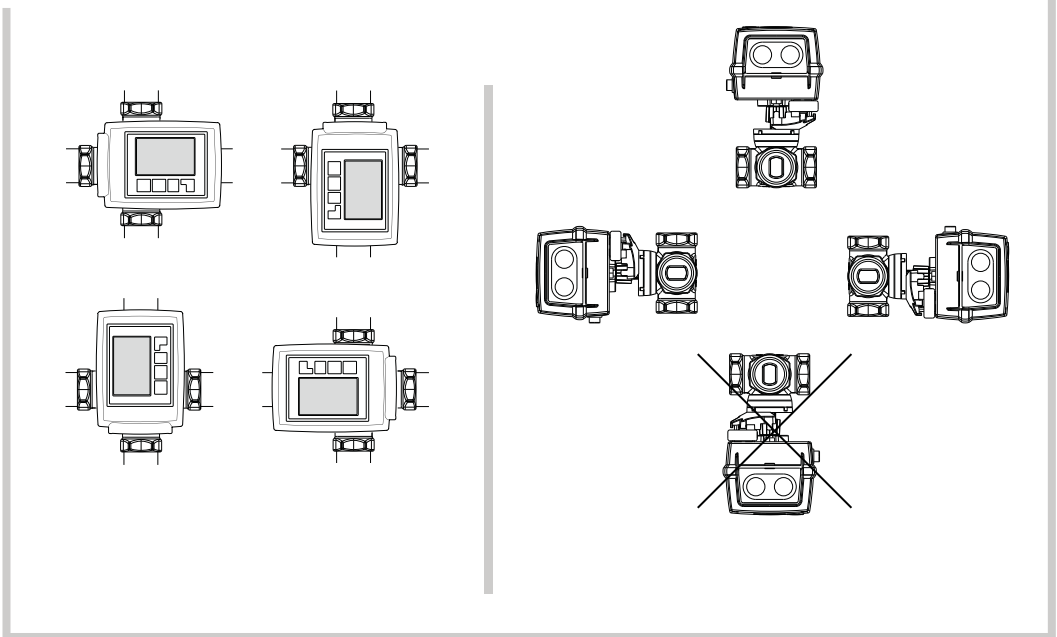
Series 90C





www.esbe.se

Mtrl.nr: 9814 04 06 • Ritn.nr: 8310 utg. D • Rev. 1109



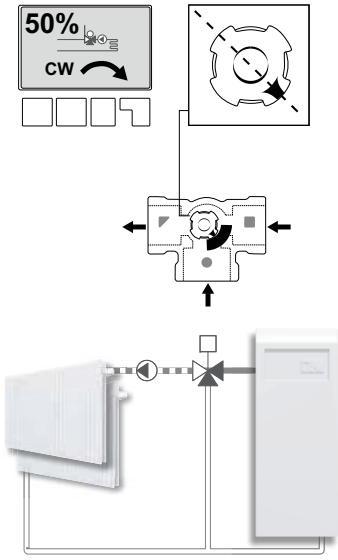
ADAPTER KIT VRG801



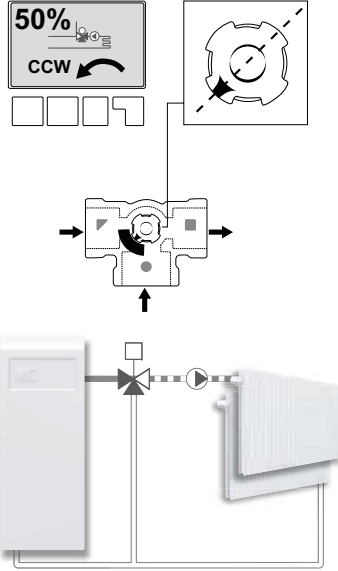
NO.1 IN HYDRONIC SYSTEM CONTROL

SERIES VRG130

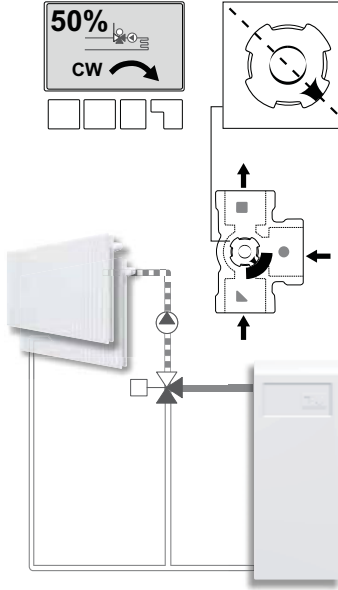
a



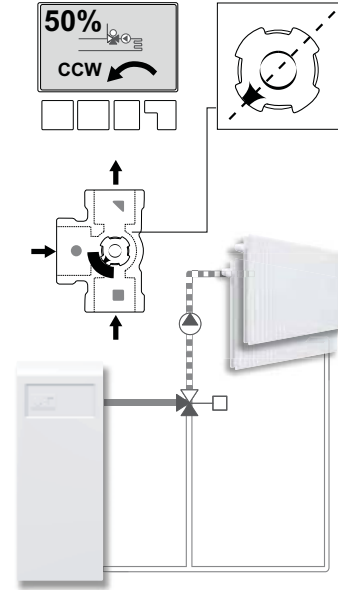
b



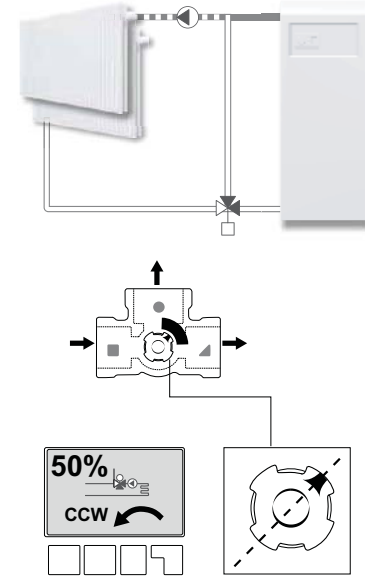
c



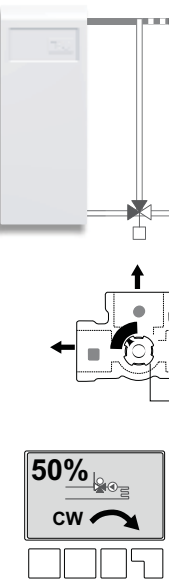
d



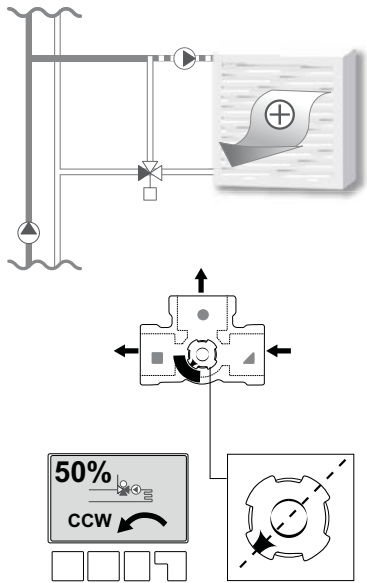
e



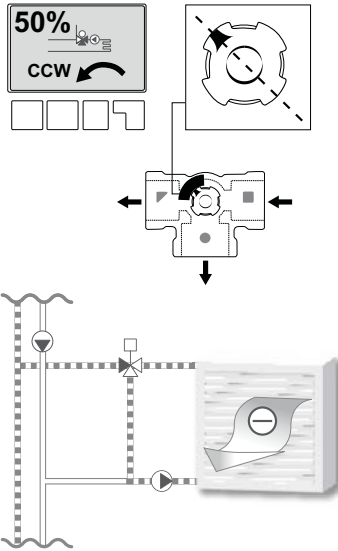
f



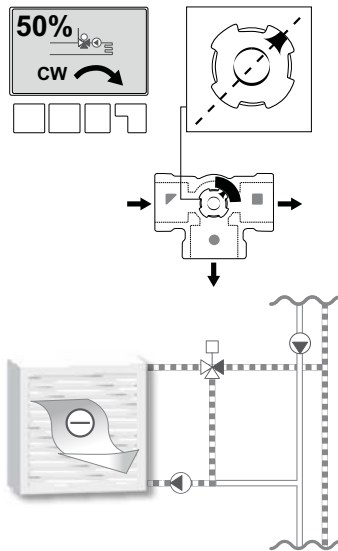
l



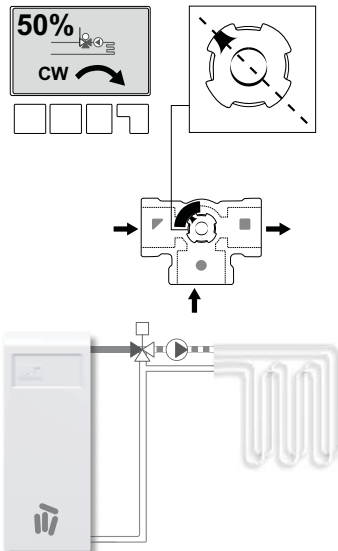
m



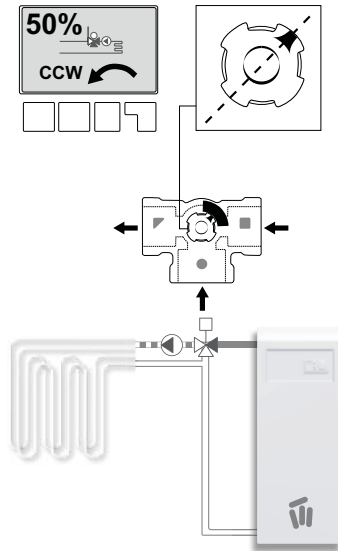
n

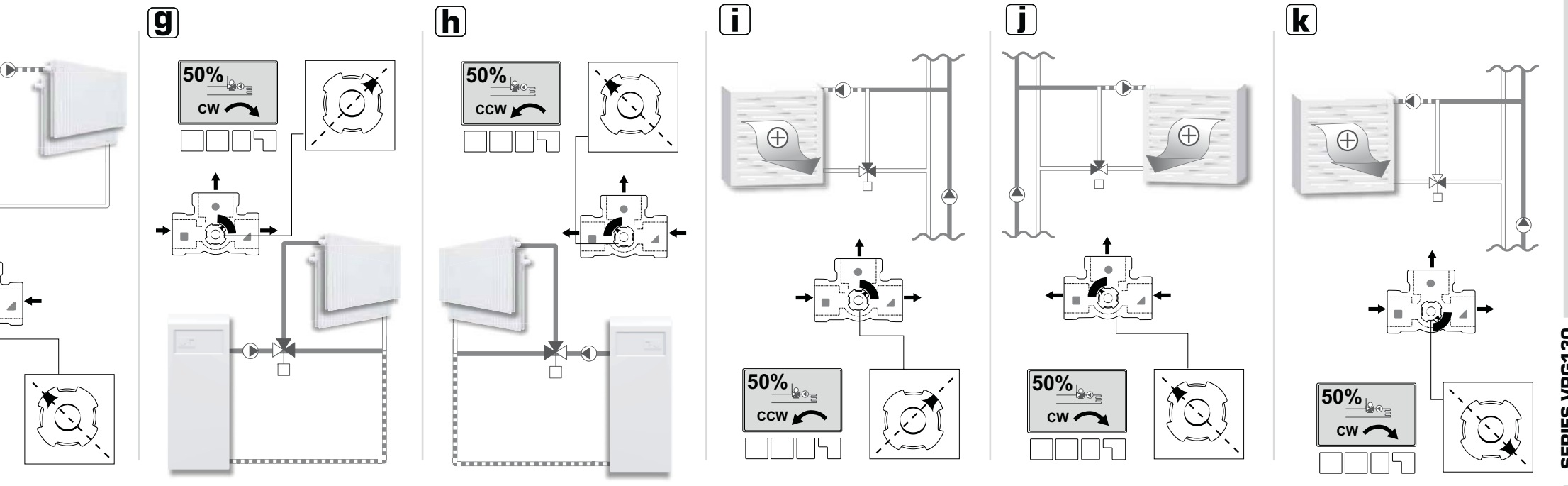


o



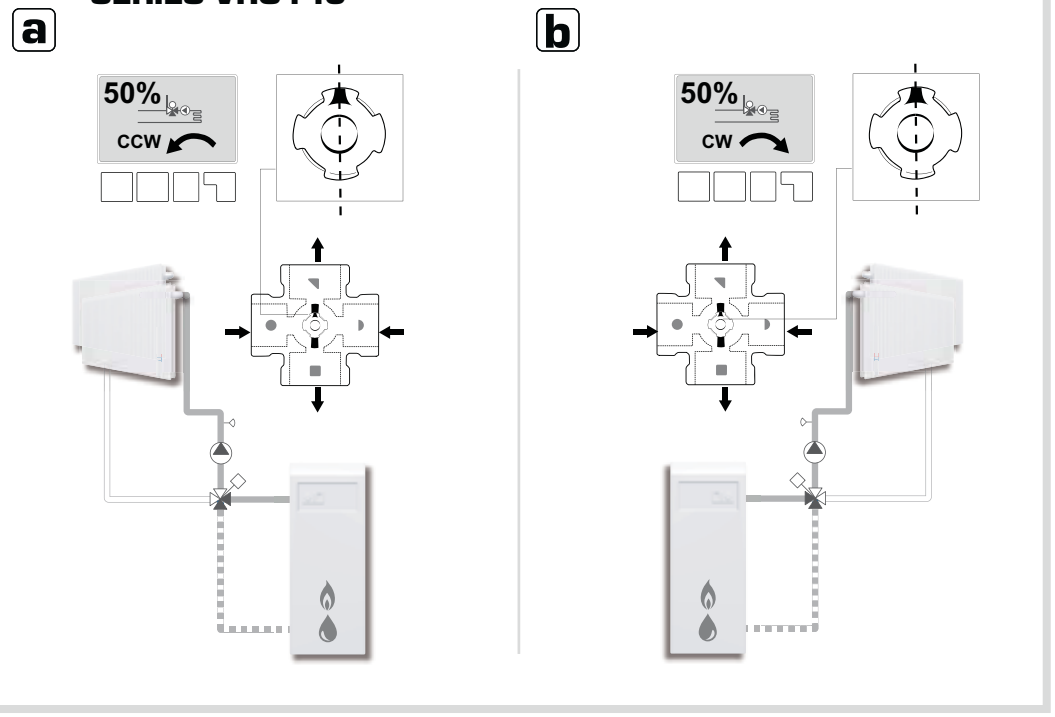
p



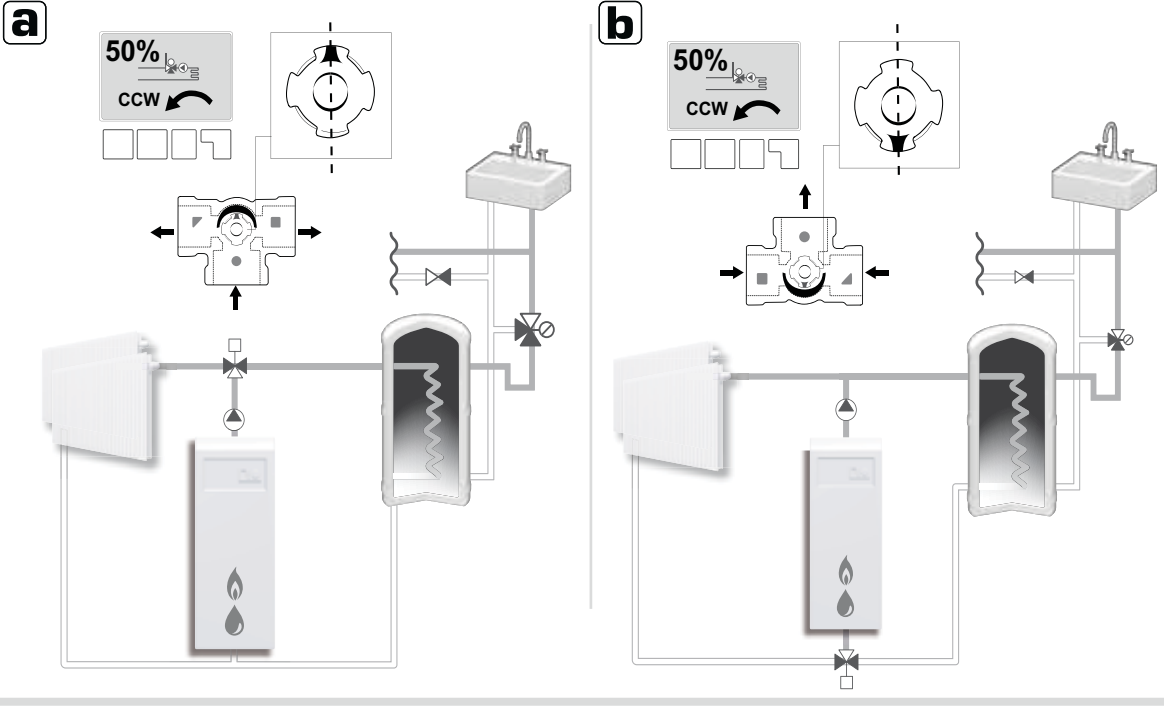


SERIES VRG130

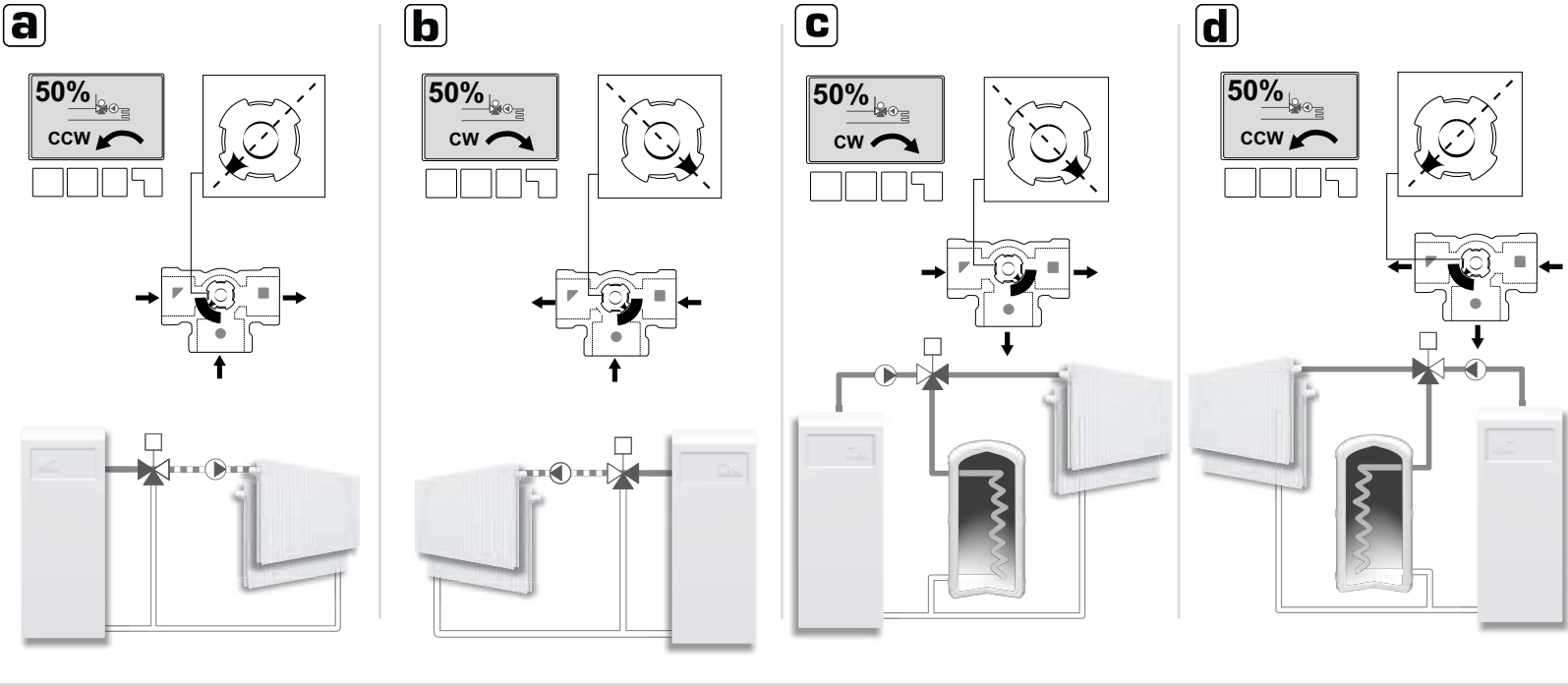
SERIES VRG140



SERIES VRG230



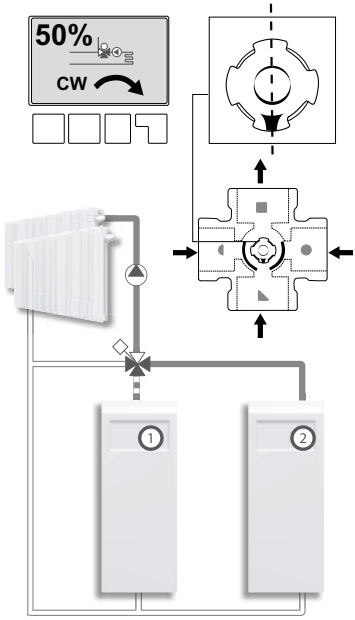
SERIES VRG330



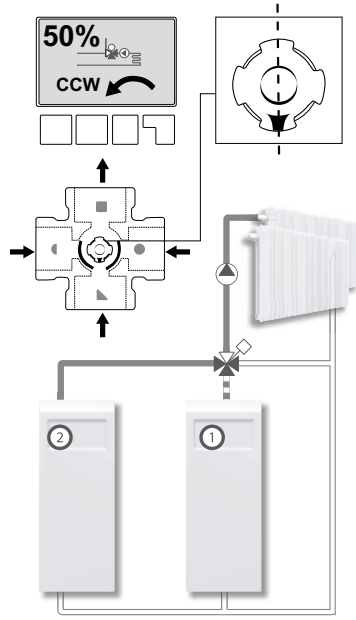
We would like to pinpoint to the existence of a German patent DE 19821256C5 affecting the usage of bivalent 4-way valves in liquid circulation heating systems. In this patent the usage of a 4-way bivalent valve in a type of heating system is protected, in which 2 different heating circuits are operated in parallel, where the return of the first circuit is utilized as heat source for the second circuit. The patent also covers the use of a 4-way bivalent valve in a regulated manner, where the return of the first circuit is utilized as alternative secondary heat source for the floor heating. Such a utilization of our bivalent 4-way valve without approval of the patent holder is forbidden. All other applications of our product group VRB are without restrictions possible.

SERIES VRB140

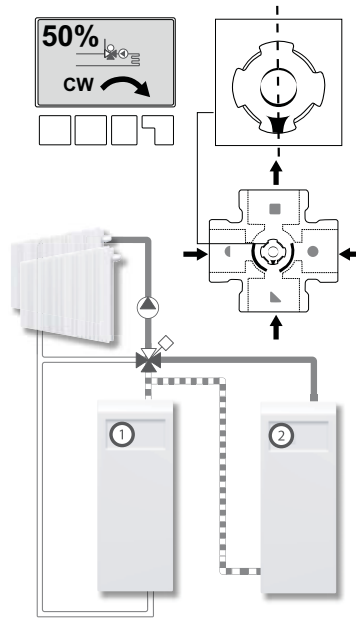
a



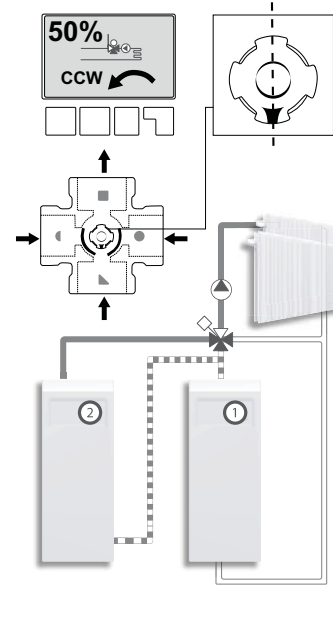
b



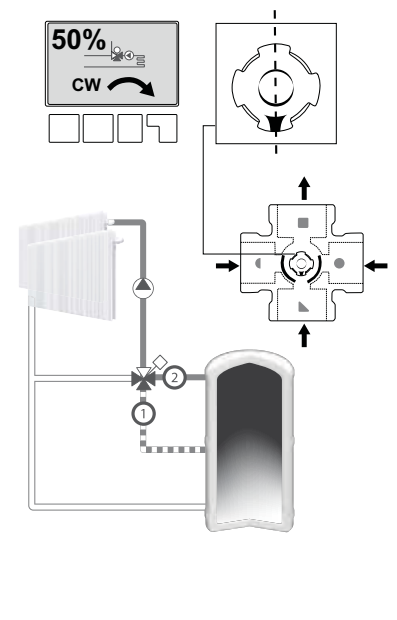
c



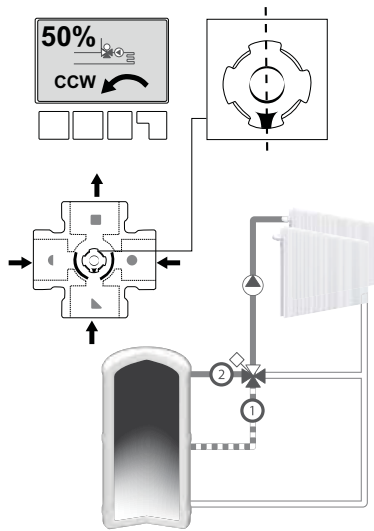
d



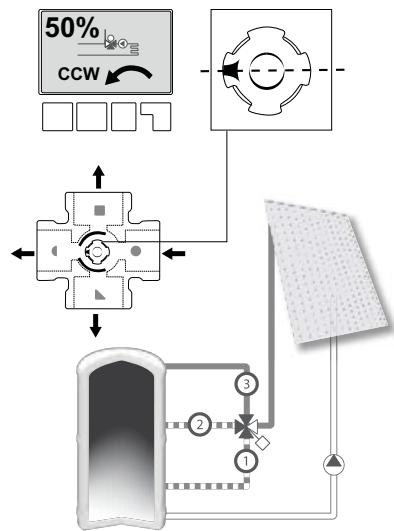
e



f



g



h

