

IT

GB

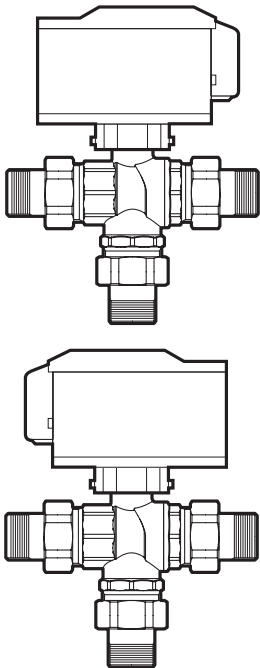
ES

FR

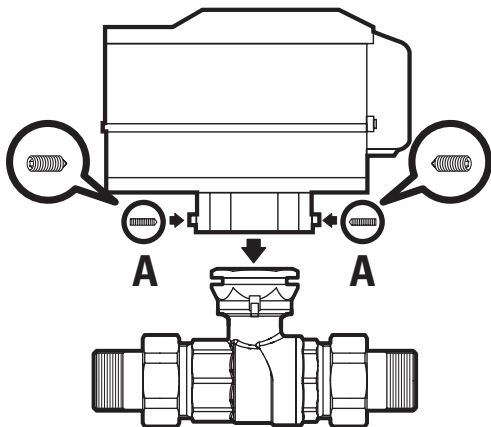
DE

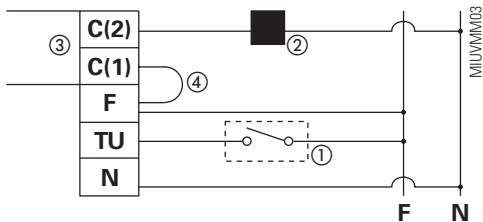
PT

GR

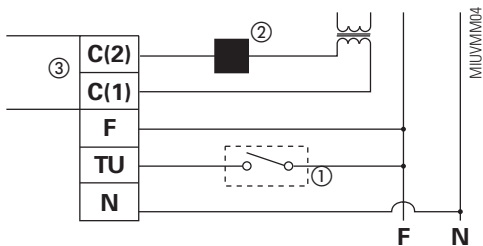


**Fig. A / Abb.A / Σχ. A**

**Fig. B / Abb. B / ΣΧ. B**



**Fig. C / Abb. C / Σχ. C**



**Fig. D / Abb. D / Σχ. D**

① **Termostato ambiente o altro interruttore di consenso per la valvola motorizzata.**

Room thermostat or other enabling switch for the motorized valve.

**Termostato ambiente u otro interruptor de consentimiento para la válvula motorizada.**

Thermostat d'ambiance ou autre interrupteur d'autorisation pour le robinet motorisé.

**Raumthermostat oder anderer Schalter für die Freigabe des motorisch betriebenen Ventils.**

Termostato ambiente ou outro interruptor de habilitação para a válvula motorizada.

**Θερμοστάτης χώρου ή άλλος αυτόματος διακόπτης ελέγχου, για τη θάνα με σερβομοτέρ.**

② **Utilizzatore/User**

**Utilizador/Utilisateur**

**Verbraucher/Utilizador**

**Διάταξη χρήσης**

③ **Contatto ausiliario/Auxiliary contact**

**Contacto auxiliar/Contact auxiliaire**

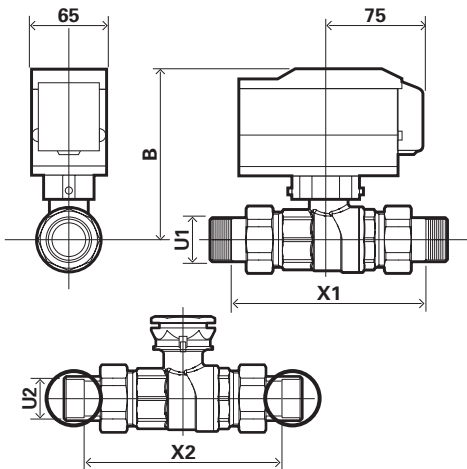
**Hilfskontakt/Contato auxiliar**

**Βοηθητική επαφή**

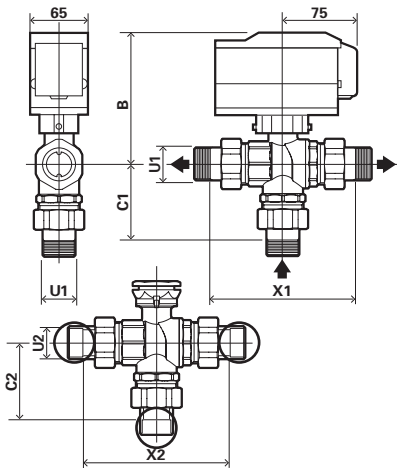
④ **Ponte elettrico/Electrical bridge/Puente eléctrico**

**Pont électrique/Elektrische Brücke (Jumper)**

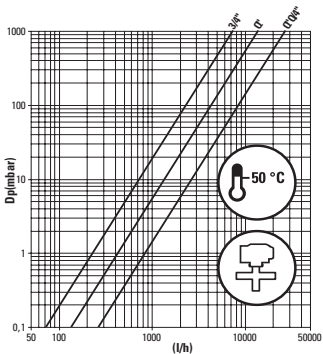
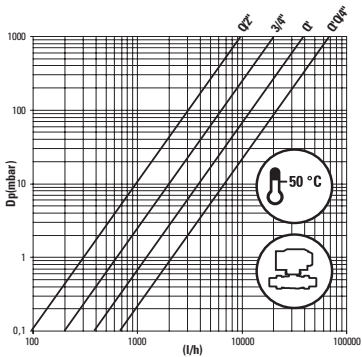
**Ponte eléctrica/Βραχυκυκλωτήρας**



Size		1/2"	3/4"	1"	1 1/4"
DN	mm	15	20	25	32
B	mm	137	140	144	150
X1	mm	98	117	135	151
A1		1/2"	3/4"	1"	1 1/4"
X2	mm	87	104	120	131
A2	mm	15	22	28	35



Size		3/4"	1"	1"1/4
DN	mm	20	25	32
B	mm	140	144	150
X1	mm	117	135	151
A1		3/4"	1"	1"1/4
C1	mm	62	72	86
X2	mm	104	120	131
A2	mm	22	28	35
C2	mm	55	64	76





## Impianti di riscaldamento modulari

Modular heating systems

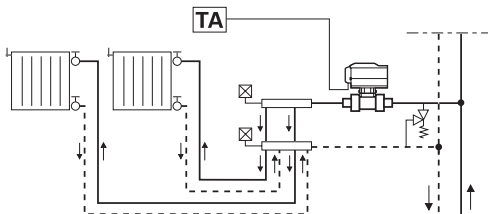
## Instalaciones de calefacción modulares

Installations de chauffage modulaires

## Modulare Heizanlagen

Instalações modulares de aquecimento

## Εγκαταστάσεις θέρμανσης αρθρωτής δομής



MIUVMM009

## Regolazione temperatura bollitore

Boiler temperature adjustment

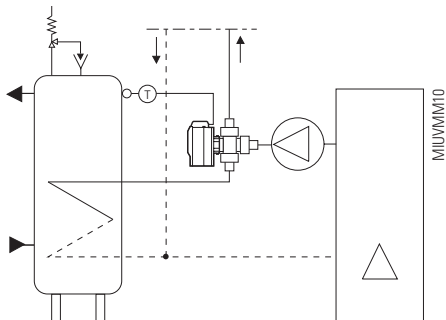
## Regulación de la temperatura del hervidor

Réglage température chauffe-eau

## Einstellung der Temperatur (Kombispeicher)

Regulagem temperatura aquecedor

## Ρύθμιση θερμοκρασίας μπόιλερ



## Motorized ball valve

Valve series:

- 2-way on-off
- 3-way bypass

It is suitable for area heating systems, systems powered by alternative energy sources, automatic irrigation systems, generic systems with hot fluids that are not chemically aggressive or explosive.

The sealed servomotor is equipped with an indicating light which gives "valve open" signal in the 2 ways models, "deviated flow" signal in the 3 ways models.

There is also a free output contact to enable a boiler, counter, a circulator or a generic use powered from 6 to 230 V.

### Servomotor technical data

Power supply: 230 V / 50 Hz

Input: 4 VA

Degree of protection:

IP 55  / IP 50  

Insulation class:

II

Driving torque:

13 N•m (1,3 kg•m)

Manoeuvre time:

60 sec (2 way)

120 sec (3 way)

Operating ambient temperature: from 0 to 50 °C

Auxiliary contact: free 6 A, 230 V max

**Valve technical data**

Body and sphere:	Brass ST UNI EN 12165 CW 617 N
Manoeuvre rod:	Brass ST UNI EN 12164 CW 614 N
Sphere housing:	PTFE G500 with anti-seizure device
Rod seal:	O-ring HNBR
Maximum operating pressure:	PN40
Maximum differential pressure:	6 bar
Operational limits:	- 40 °C ÷ 100 °C (circulating fluid)
Shank seal gaskets:	Synthetic fibre (Fasit)

## Assembly

The operations described herein must be performed by qualified technical personnel and in compliance with current technical standards.

Remove the side cover, unscrewing the two screws, and do the electrical connections in observance of what indicated on the label under the junction-box and following electrical wiring. Once the cable has been locked from the cable press, rescrew the cover.

Use a wrench to perform one complete turn of the manoeuvre rod of the valve. Check and if necessary align the metallic joint at the outlet of the servomotor with the manoeuvre rod of the valve. Insert the servomotor on the valve body and push it all the way down (hexagonal ring nut completely covered by servomotor).

Insert the locking split pin.

Screw the screws (fig. B pag. 3) which are on the mouth of the servomotor and tighten them of half a turn (without forcing).

### Important:

- Check that the servomotor is perpendicular to the valve.
- Whenever possible, it is preferable to install the motor vertically atop the ball valve
- The motor can be installed with the cable outlet either on the right or left with respect to the valve, without altering the operation of the micro-switch (Fig. A page 2).

**Dimensional data** - page 6

## **Electrical connection diagrams**

**Electrical connection diagram with user U powered at 230 V (6 A max) through the valve motor** - figure C page 4.

**Electrical connection diagram with user U with independent power supply (max 230 V – 6 A)** - figure D page 4.

### **Warning!**

It is possible to replace the manoeuvre arm of the valve and its O-ring, when the system is in operation, by following the procedure outlined in the instructions provided with the spare part.

**Pressure drops** - page 8

**Some examples of installation** - page 9