

Dimplex

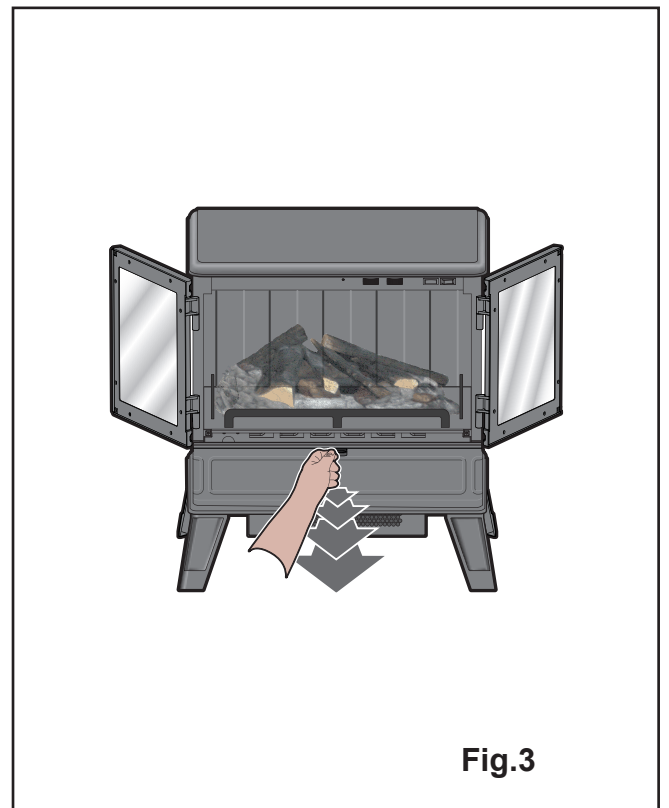
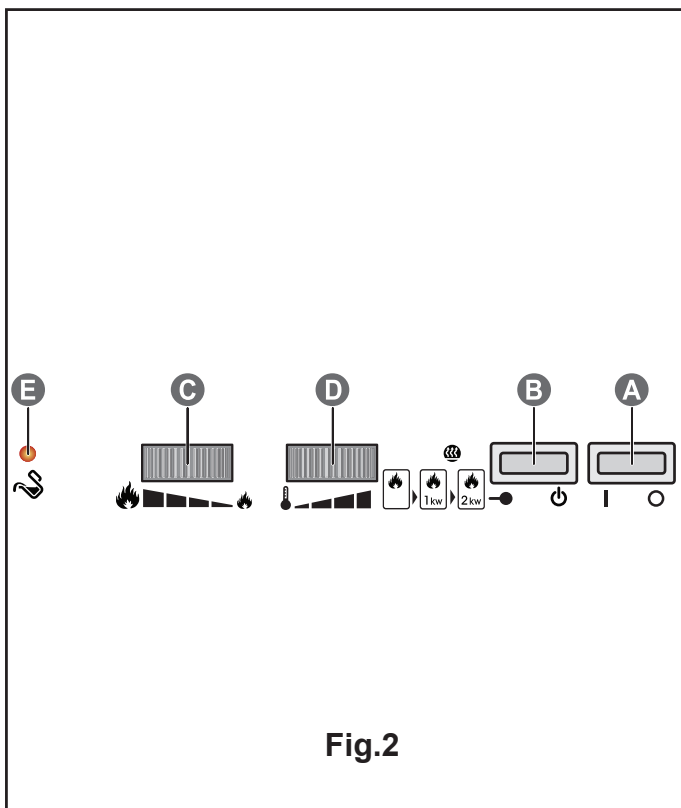
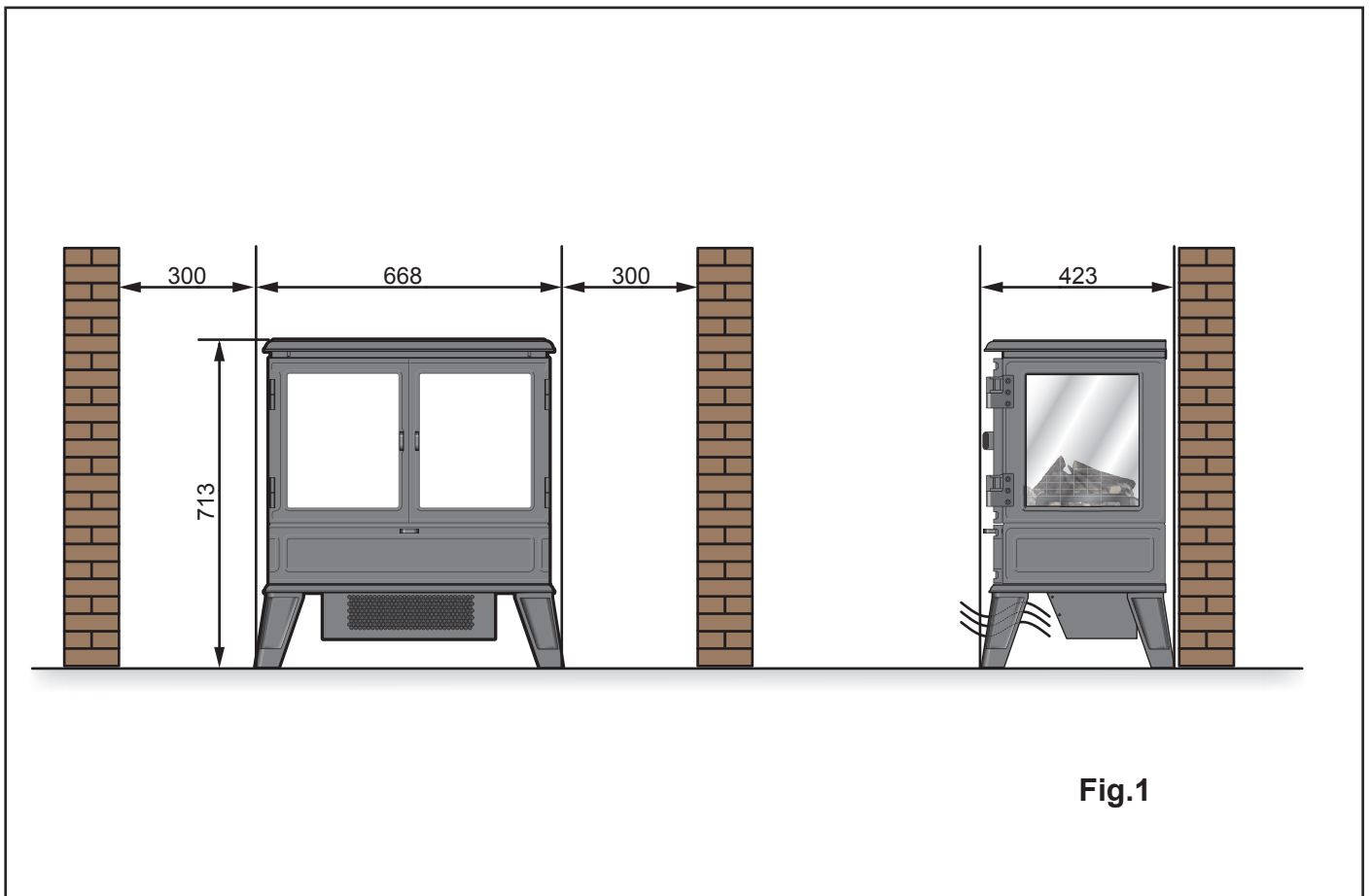


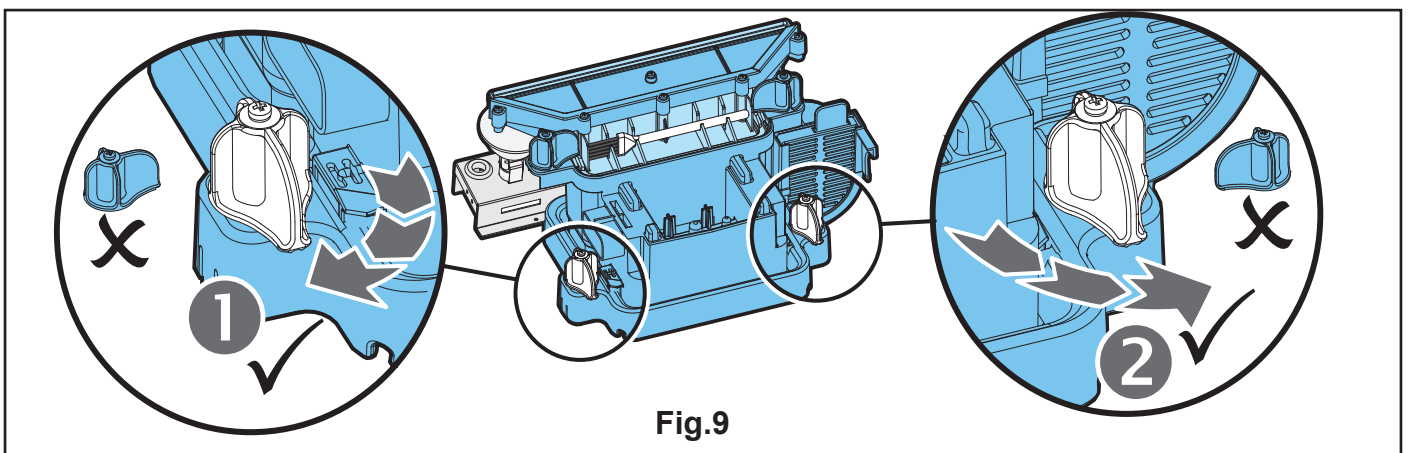
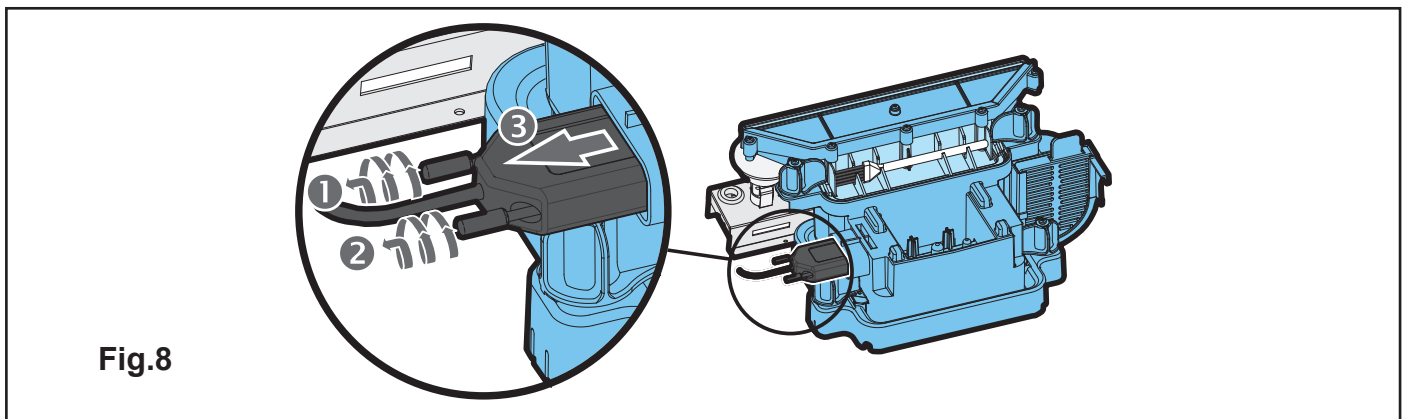
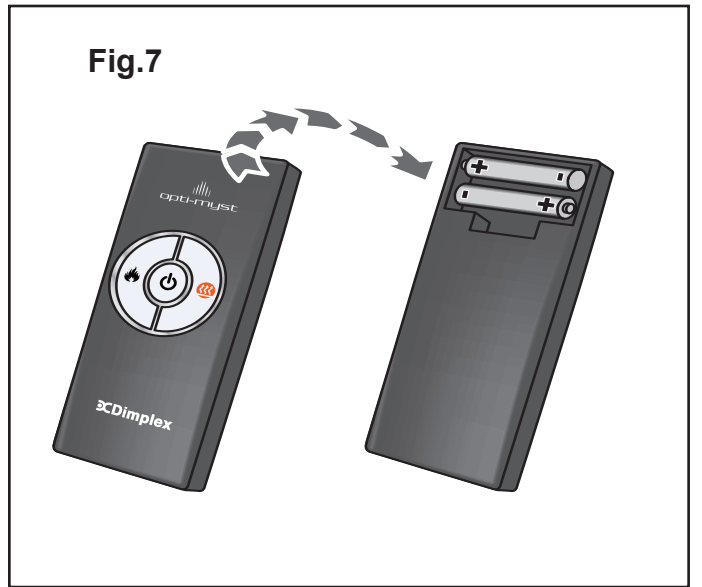
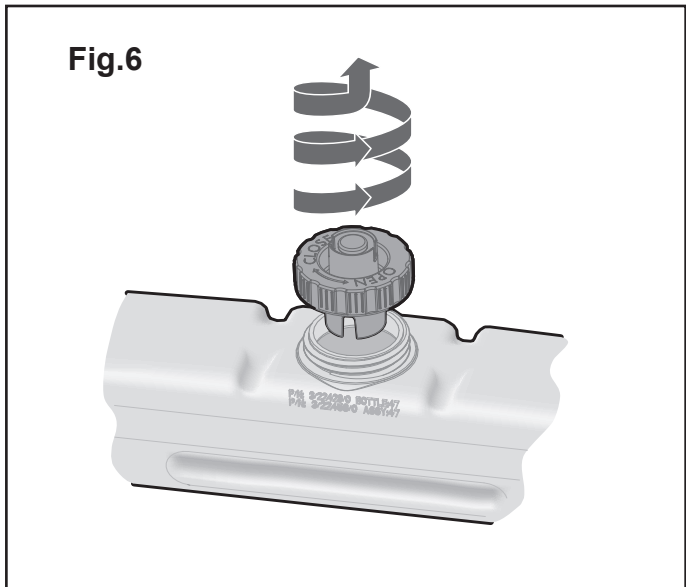
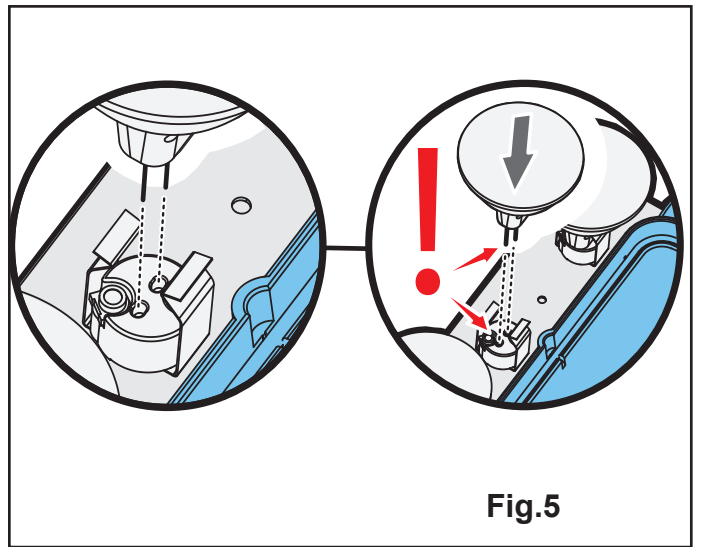
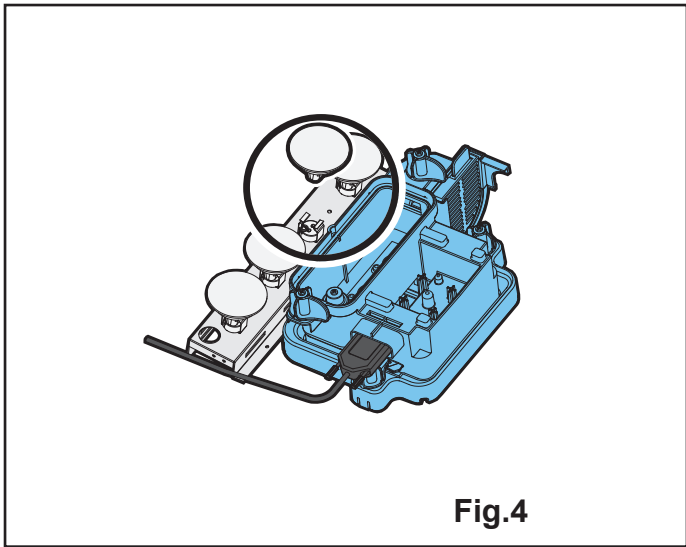
Cadogan CGN20

UK

RU

08/50895/0 Issue 0





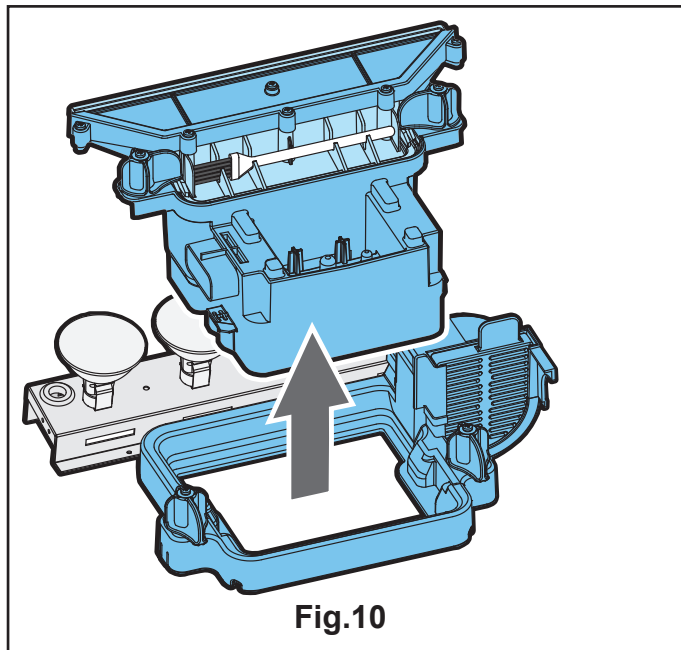


Fig.10

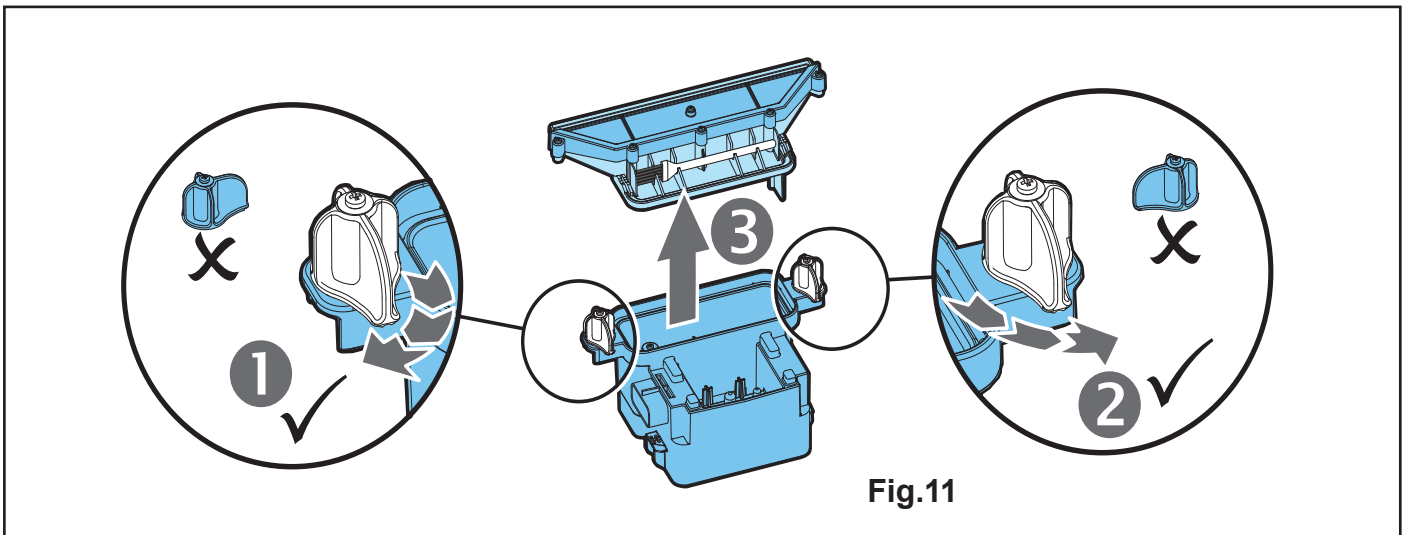


Fig.11

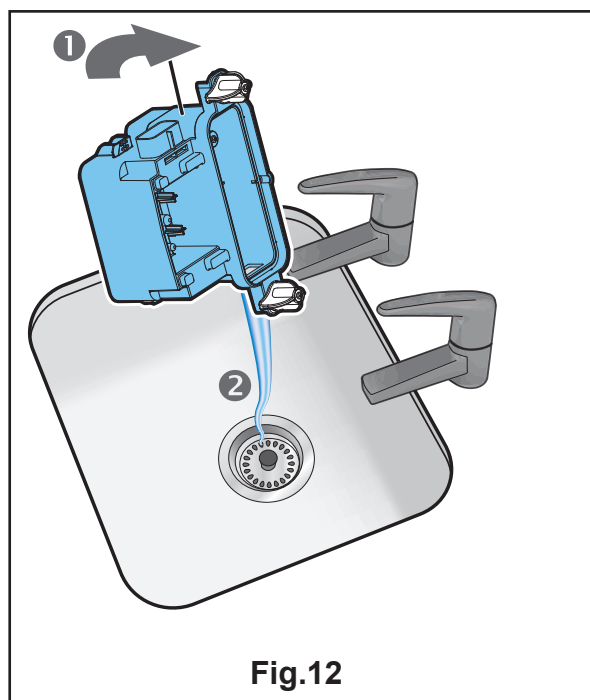


Fig.12

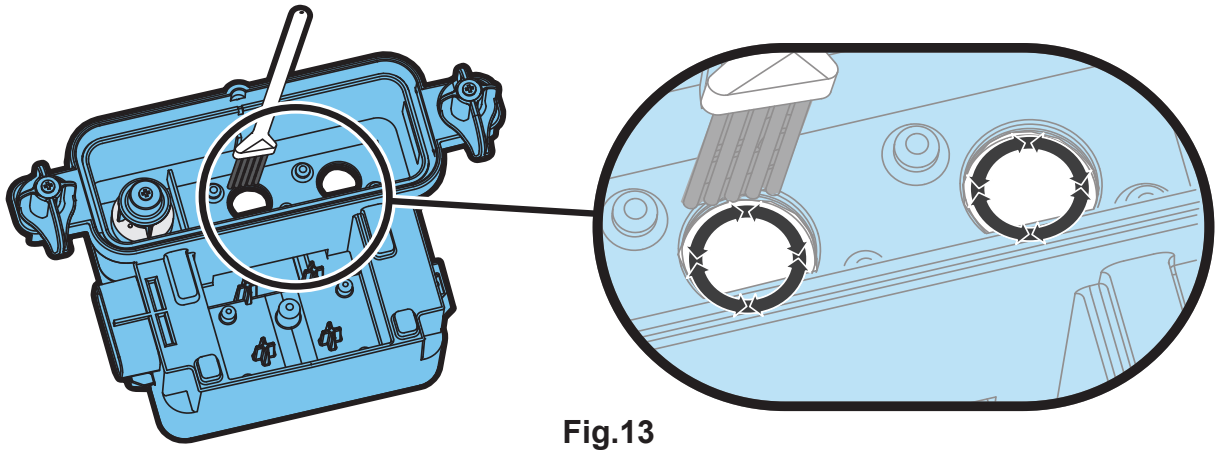


Fig.13

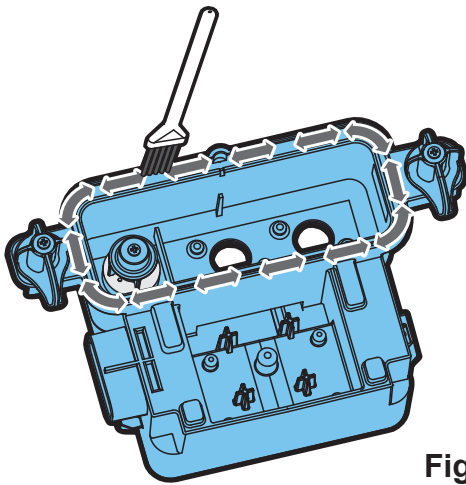


Fig.14

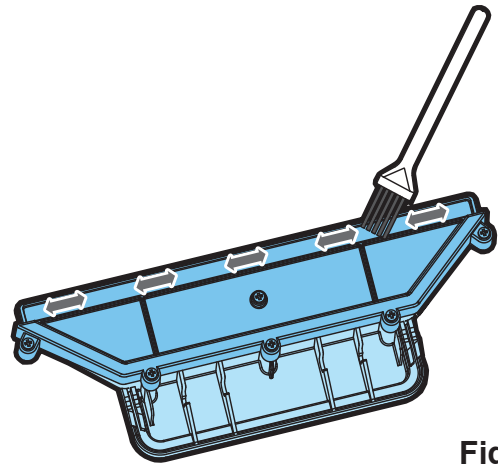


Fig.15

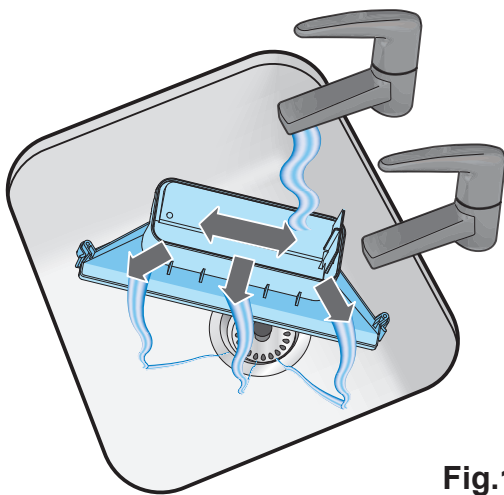


Fig.16

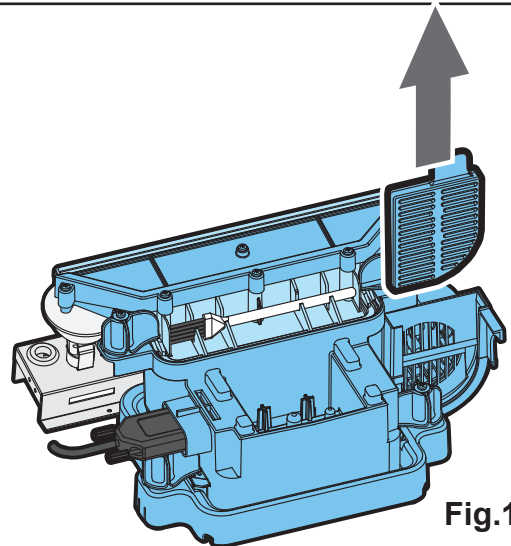


Fig.17

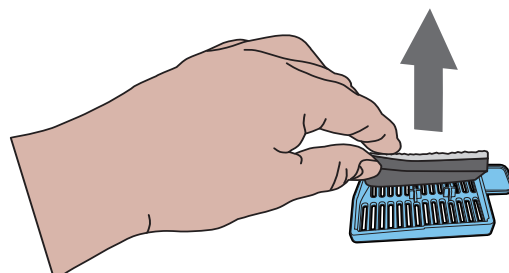


Fig.18

IMPORTANT: THESE INSTRUCTIONS SHOULD BE READ CAREFULLY AND RETAINED FOR FUTURE REFERENCE

Important Safety Advice:

When using electrical appliances, basic precautions should always be followed to reduce the risk of fire, electrical shock and injury to persons, including the following:

If the appliance is damaged, check with the supplier before installation and operation.

Do not use outdoors.

Do not use in the immediate surroundings of a bath, shower or swimming pool.

Do not locate the stove immediately below a fixed socket outlet or connection box.

This appliance is not intended for use by children or other persons without assistance or supervision if their physical, sensory or mental capabilities prevent them from using it safely. Children should be supervised to ensure that they do not play with the appliance.

Do not use this stove in series with a thermal control, a program controller, a timer or any other device that switches on the heat automatically, since a fire risk exists when the stove is accidentally covered or displaced.

Ensure that furniture, curtains or other combustible material are positioned no closer than 1 metre from the stove.

In the event of a fault unplug the stove. Unplug the stove when not required for long periods.

Although this stove complies with safety standards, we do not recommend its use on deep pile carpets or on long hair type of rugs. The appliance must be positioned so that the plug is accessible.

If the supply cord is damaged it must be replaced by the manufacturer or service agent or a similarly qualified person in order to avoid a hazard. Keep the supply cord away from the front of the stove.

WARNING: In order to avoid overheating, do not cover the stove. Do not place material or garments on the stove, or obstruct the air circulation around the stove.



The stove carries the Warning symbol indicating that it must not be covered.

General.

Unpack the stove carefully and retain the packaging for possible future use, in the event of moving or returning the stove to your supplier. The Remote Control and batteries are packed separately in the carton. The stove incorporates a flame effect, which can be used with or without heating, so that the comforting effect may be enjoyed at any time of the year. Using the flame effect on its own only requires little electricity. These models are designed to be free standing and are normal positioned near a wall. Before connecting the stove check that the supply voltage is the same as that stated on the stove. Please note: Used in an environment where background noise is very low, it may be possible to hear a sound which is related to the operation of the flame effect. This is normal and should not be a cause for concern.

Electrical connection.

WARNING – THIS APPLIANCE MUST BE EARTHED.

This stove must be used on an AC ~ supply only and the voltage marked on the stove must correspond to the supply voltage. Before switching on, please read the safety warnings and operating instructions.

PLEASE RETAIN THIS USER'S GUIDE FOR FUTURE REFERENCE

Do not put Opti-myst plastic components into a dishwasher.

Only slide out the drawer when the water tank needs to be filled or a lamp needs to be changed otherwise you will inadvertently alter the water level and the flame effect operation.

Only use filtered tap water in this appliance.

Always ensure that the stove is sitting on a level floor. If you intend not using the appliance for longer than 2 weeks, drain the water from sump and water tank and dry the sump.

Once installed, never move this stove or lay on its back, without draining the water from sump and water tank.

The water tank, sump, sump lid, tank cap and air filters must be cleaned once every two weeks, particularly in hard water areas.

The stove appliance should never be operated if the lamps are not working.

The lamps should be regularly inspected as described under 'Maintenance' and 'Changing lamps'.

Installation Instructions

Ensure that all packing items are removed (read any warning labels carefully).

Retain all packing for possible future use, in the event of moving or returning the appliance to your supplier.

To install the appliance;

Place the stove against the wall and connect the stove to your electricity supply.

Plug the stove into a 13amp/24volt outlet.

Before switching on the appliance, please read the following instructions.

Before using the manual controls firstly fill the water tank (See 'Maintenance', 'Filling the water tank').

Manual Controls.

The Opti-myst Manual controls are located behind the doors.

(See Fig.2 for Manual Control lay out)

Switch 'A':- Controls the electricity supply to the stove.

Note: This switch must be in the 'ON' (I) position for the stove to operate with or without heat.


Switch 'B':- Controls the function of the fire.

Press  once to turn on flame effect. This will be indicated by one beep.

Although the main lights operate immediately it will take a further 30 seconds before the flame effect starts.

Press  again to give flame effect and half heat. This will be indicated by two beeps.

Press  again to give flame effect and full heat. This will be indicated by three beeps.

Press  again to return to flame effect only. This will be indicated by one beep.

Press  to put stove in to standby mode. This will be indicated by one beep.

Control Knob 'C':- Controls the intensity of the flame effect.

Turning the control knob to the left increases the flame effect, turning the control knob to the right will decrease the flame effect.

Control Knob 'D':- Controls the Electronic Thermostat setting.

Turning the control knob to the left will decrease the temperature setting, turning the control knob to the right will increase the temperature setting.

LED 'E':- When this is illuminated it indicates that the water tank is empty. You will hear two beeps.

When the water is empty the main lamps go out. See instructions under 'Maintenance', 'Filling the water tank'. When this procedure is complete, the main lamps will illuminate but it will take 30 seconds before the flames return.

Depending on room temperature and humidity there may be some condensation on the inside of the stove. This can be overcome by turning the flame control knob down and leaving the doors of the stove slightly ajar, until the glass warms up.

Electronic Thermostat

The thermostat controls the heat output according to the room temperature. This ensures that the stove will not produce heat unnecessarily when the room is warm.

To set the temperature you require, turn the thermostat control knob 'D' (See Fig.2) to the right until the desired temperature is reached. Alternatively to heat a cold room quickly, turn the thermostat control knob 'D' (See fig.2) up fully. When the room has reached the desired temperature, turn the thermostat control knob 'D' (See Fig.2) to the left until the desired heat setting is achieved.

The stove will now automatically operate at this temperature.

Remote Control Operation

On the control panel, Switch A (see Fig.2) must be in the 'ON' (I) position in order for the remote control to operate. There are 3 buttons on the remote control. (See Fig.7) To operate correctly the remote must be pointed towards the front fuel effect.

The remote control functions are as follows:



Press once to turn on Flame effect only.
This will be indicated by one beep.

Press once to turn on Half heat and Flame effect.



This will be indicated by two beeps.
Press again to turn on Full heat and Flame effect.

This will be indicated by three beeps.



Standby
This will be indicated by one beep.

Battery Information.

1. Unclip the battery cover on the back of the remote control. (See Fig.7)
2. Install AAA batteries into the remote control.
3. Replace the battery cover.

Discard leaky batteries.

Dispose of batteries in the proper manner according to provincial and local regulations. Any battery may leak electrolyte if mixed with a different battery type, if inserted incorrectly, if all the batteries are not replaced at the same time, if disposed of in a fire, or if an attempt is made to charge a battery not intended to be recharged.

Thermal safety cut-out

A thermal safety cut-out is incorporated in the fan stove to prevent damage due to overheating. This can happen if the heat outlet was restricted in any way or if the chimney flue has not been blocked off effectively. If the cut-out operates, unplug the stove from the socket outlet and allow approximately 10 minutes before reconnecting. Before switching the stove back on remove any obstruction that may be restricting the heat outlet, then continue normal operation.

Tips for using your appliance.

1. Only pull out the drawer when its time to refill the water tank or change a lamp, otherwise it may lead to excess water in the sump and reduced flame effect. If this happens empty the water from the sump as instructed under 'Maintenance'.
2. With the flame setting on minimum the unit will use approximately 40ml of water per hour and will last 3 times as long than when it is at maximum flame setting.
3. Do not tilt or move the stove while there is water in the tank or sump.
4. Make sure that the stove is on a level floor.
5. The flame control knob 'C' Fig.2 may be turned up or down to give a more realistic effect.
6. Sometimes the flames appear more real when the flame control knob is turned down.
7. Give the flame generator some time to react to changes you may make on the flame control knob.

Maintenance

WARNING: ALWAYS DISCONNECT FROM THE POWER SUPPLY BEFORE ATTEMPTING ANY MAINTENANCE

Changing lamps.

If a large amount of the smoke appears grey or colourless it may be that one or more lamps have failed.

You can check for lamp failure as follows.

1. Leaving the flame effect on, open the doors fully, gently pull the drawer fully out by the tab. (See Fig.3)
2. View the lamps from a distance in front of the stove and observe which lamp needs to be changed.
3. Put Switch 'A' in the 'OFF' position, and unplug the stove from the mains.
4. Leave the appliance for 20 minutes to allow the lamps to cool down before removing them.
5. Remove the water tank by lifting upwards and place in a sink.
6. Remove the sump as described in the Cleaning Section.
7. Remove the defective lamp, by gently lifting vertically and disengaging the pins from the lamp holder, (See Fig.4 and 5). Replace with a Dimplex Opti-myst, 12V, 50W, Gu5.3 base, 8° beam angle, coloured lamp. (Purchased from www.dimplex.co.uk under the section 'After Sales Service', details of how to purchase the lamps are contained therein.)
8. Carefully insert the two pins of the new lamp into the two holes in the lamp holder. Push firmly in place. (See Fig.4 and 5).
9. Replace the Sump and water tank and carefully close the drawer and doors.
10. Switch on.

Filling the water tank.

When using the appliance for the first time or when the water level warning light comes on, you will hear 2 audible 'beeps' when the water is empty and the tank needs refilling, follow these steps.

1. Open doors.
2. Press Switch 'A' to **(0)** (See Fig.2).
3. Open the doors fully and gently pull out the drawer as far as possible by the tab. (See Fig.3)
4. Remove the water tank by lifting upwards and outwards.
5. Place the water tank in sink and remove cap, Anti-clockwise to open. (See Fig.6)
6. Fill tank with **filtered tap water only**. This is necessary to prolong the life of the flame and smoke producing unit. The water should be filtered through a conventional domestic water filter unit and the filter should be replaced regularly.
7. Screw the cap back on, **do not overtighten**.
8. Return the tank to the sump, with the tank cap facing down and the flat side of the tank facing outward.
9. Gently push the drawer back in as far as it will go.
10. Press Switch 'A' to 'ON' (**I**) position (See Fig.2)
11. Press Switch 'B' once to turn on flame effect. (See manual control section and Fig.2)

Cleaning.

WARNING – ALWAYS DISCONNECT FROM THE POWER SUPPLY BEFORE CLEANING THE STOVE.

We Recommend cleaning the following components once every 2 weeks, particularly in hard water areas:-

Water Tank, Sump and Seal, Sump lid, Tank cap and seal, Air filter.

For general cleaning use a soft clean duster – never use abrasive cleaners. To remove any accumulation of dust or fluff the soft brush attachment of a vacuum cleaner should occasionally be used to clean the outlet grille of the fan stove.

Water tank

1. Remove water tank, as described earlier, put into sink and empty water.
2. Using the supplied brush gently rub the inside surfaces of the cap paying particular attention to the rubber ring in the outer groove and the centre rubber seal.
3. Put a small quantity of washing up liquid into the tank, refit the cap and shake well, rinse out until all traces of washing up liquid are gone.
4. Refill with filtered tap water only, replace the cap, do not overtighten.

Sump

1. Press Switch 'A' to the 'OFF' (0) position
2. Gently pull the drawer out as far as possible. (See Fig.3)
3. Remove the water tank by lifting upwards.
4. Disconnect the electrical connector, located on the left side of the sump, by first loosening the two retaining screws and gently withdrawing the connector. (See Fig.8)
5. Release the lower sump locking tabs by turning 90°, this allows the sump to be lifted completely from its location. (See Fig.9)
6. Gently lift up the sump assembly, taking care to keep level so as not to spill any water. Sit the assembly in the sink. (See Fig.10)
7. Release the two upper sump locking tabs by turning 90°, then lift off the sump lid. (See Fig.11)
8. Carefully tilt, as shown, so that the liquid drains out of the sump. (See Fig.12)
9. Put a small amount of washing up liquid into the sump, and using the supplied brush, gently clean all surfaces including the metal discs and the rubber seal located in the top grooved surface. **Do not remove the rubber seals.** (See Fig.13 and 14)
10. When cleaned, thoroughly rinse the sump with clean water.
11. Clean the outlet surface of the sump lid with the brush and flush out thoroughly with water. (See Fig.15 & 16)
12. Reverse the above steps to reassemble.

Air filter.

1. Press Switch 'A' to the 'OFF' (0) position (See Fig.2)
2. Gently pull the drawer out as far as possible. (See Fig.3)
3. Remove the tank and place in a sink with the cap facing upwards.
4. Gently slide upwards the air filter plastic holder. (See Fig.17)
5. Remove the filter combination from the plastic holder.
6. Gently rinse with water in the sink and dry with fabric towel before returning.
7. Replace the filter combination making sure that the coarse black filter is in contact with the plastic holder. (See Fig.18)
8. Replace the tank.
9. Close the drawer fully.
10. Press Switch 'A' to the 'ON' (I) position (See Fig.2)

After Sales Service.

Should you require after sales service or should you need to purchase any spares, please contact the retailer from whom the appliance was purchased or contact the service number relevant to your country on the warranty card. Please do not return a faulty product to us in the first instance as this may result in loss or damage and delay in providing you with a satisfactory service. Please retain your receipt as proof of purchase.

Troubleshooting

Symptom	Cause	Corrective Action
The flame effect will not start.	<p>Mains plug is not plugged in.</p> <p>Switch A is in the 'ON' (I) position, but mode Switch B has not been pressed. (See Fig.2)</p> <p>Low water level.</p> <p>Low voltage connector not connected properly. (See Fig.8)</p>	<p>Check plug is connected to wall socket correctly.</p> <p>Press Switch B once for flame effect. (See Fig.2)</p> <p>Check 'Low water level' warning LED 'E' under canopy hood. (See Fig.2). If 'ON' fill water tank.</p> <p>Check that the connector is inserted correctly. (See Fig.8)</p>
The flame effect is too low.	<p>Flame effect control knob is set too low. (See Fig.2)</p> <p>The water in the sump may be too high due to the drawer being opened and closed a number of times, water tank removed a number of times, or the stove has been moved.</p> <p>Metal Disc at the base of Sump might be dirty (See Fig.13)</p>	<p>Increase level of flame by turning Control knob C to the left slowly. (See Fig.2)</p> <p>If water level in the sump is more than 40mm, the sump should be removed and emptied in the sink.</p> <p>Clean Metal Discs with soft brush supplied. (See Fig.13) See 'Maintenance.' for a step by step procedure.</p>
Unpleasant smell when unit is used.	<p>Dirty or stale water.</p> <p>Using unfiltered tap water.</p>	<p>Clean the unit as described under maintenance.</p> <p>Use only filtered tap water.</p>
The flame effect has too much smoke.	Flame effect setting is too high.	Turn the flame effect Control knob C to the right until it is at minimum and slowly turn to the left, about ¼ a turn, at a time. Give the flame generator some time to adjust before increasing. (See Fig.2)
Main lamps are not working and there are no flames or smoke.	<p>LED 'E' Fig.2 is Lit.</p> <p>LED 'E' Fig.2 is not Lit.</p>	<p>Follow instructions under Maintenance, 'Filling the water tank'.</p> <p>Check the plug is connected to wall socket correctly.</p> <p>Switch 'A' Fig. 2 is in the 'ON' (I) position.</p> <p>Press switch 'B' Fig.2 until you can hear one beep only, for flame effect.</p>
Condensation on inner glass surfaces	Glass surfaces may be cold	<p>Open stove doors slightly until glass warms up.</p> <p>Turn down flame effect during this process.</p>

ВАЖНАЯ ИНФОРМАЦИЯ: ВНИМАТЕЛЬНО ПРОЧИТАЙТЕ ЭТИ ИНСТРУКЦИИ И СОХРАНИТЕ ИХ ДЛЯ ИСПОЛЬЗОВАНИЯ В БУДУЩЕМ

Важная информация по технике безопасности:

Чтобы снизить риск воспламенения, поражения электрическим током и получения травм при использовании электроприборов, необходимо соблюдать основные меры безопасности, в том числе: Если прибор поврежден, перед его установкой и эксплуатацией обратитесь за консультацией к поставщику оборудования.

Не используйте прибор вне помещений.

Не используйте прибор в непосредственной близости от ванной комнаты, душа или бассейна.

Не располагайте печь непосредственно под розеткой сети питания или распределительной коробкой.

Данный прибор не предназначен для использования детьми или другими лицами без посторонней помощи или контроля, если их физические, осязательные или умственные способности препятствуют безопасной эксплуатации прибора. Внимательно следите за тем, чтобы дети не играли с прибором.

Не используйте печь в сочетании с терморегулятором, программным контроллером, таймером или любым другим устройством, которое осуществляет автоматическое переключение в режим нагрева, поскольку случайный заслон или смещение печи может стать причиной пожара.

Убедитесь в том, что на расстоянии 1 м от печи отсутствует мебель, шторы или другие воспламеняющиеся предметы. В случае сбоя выньте вилку силового кабеля прибора из розетки сети питания.

Отсоединяйте печь от сети питания, если она не используется в течение длительного времени.

Несмотря на то, что печь соответствует нормам безопасности, производитель не рекомендует устанавливать её на ковровые покрытия с длинным ворсом.

Прибор следует располагать так, чтобы был обеспечен доступ к вилке силового кабеля.

Если силовой кабель поврежден, во избежание возникновения опасных ситуаций его замена должна осуществляться изготовителем, агентом по сервисному обслуживанию или специалистом аналогичной квалификации. Следите за тем, чтобы силовой кабель не оказался в зоне непосредственно перед печью.

ВНИМАНИЕ. Не накрывайте печь во избежание перегрева. Не кладите на печь ткань или одежду и не создавайте препятствий для циркуляции воздуха вокруг печи.



На печи имеется предупреждающий знак, запрещающий накрытие прибора.

Общая информация

Аккуратно распакуйте печь и сохраните упаковку для дальнейшего использования на случай транспортировки или возврата печи поставщику. Пульт дистанционного управления и элементы питания находятся в отдельной упаковке.

Печь обеспечивает эффект пламени, который можно использовать как в сочетании с функцией нагрева, так и без неё, что обеспечивает создание уютной обстановки в любое время года. При включении только одного эффекта пламени прибор потребляет небольшое количество электроэнергии.

Данные модели предусматривают автономную установку у стены.

Перед подключением печи убедитесь в том, что напряжение питания соответствует значению, указанному на приборе.

Примечание. Если прибор используется в помещении с низким уровнем фонового шума, можно услышать звук, создаваемый эффектом пламени. Это нормальное явление, которое не является неисправностью.

Электрические соединения.

ВНИМАНИЕ! ДАННЫЙ ПРИБОР ТРЕБУЕТ ЗАЗЕМЛЕНИЯ.

Печь следует подключать только к источнику питания переменного тока, при этом напряжение должно соответствовать указанному на приборе.

Перед включением прибора ознакомьтесь с указаниями по безопасности и инструкцией по эксплуатации.

СОХРАНИТЕ ДАННОЕ РУКОВОДСТВО ДЛЯ ИСПОЛЬЗОВАНИЯ В БУДУЩЕМ

Не мойте пластмассовые части печи Opti-myst в посудомоечной машине.

Выдвигайте ящик только при необходимости доливки воды в бак или замены лампы, иначе можно случайно изменить уровень воды и нарушить работу эффекта пламени.

Используйте для прибора только фильтрованную водопроводную воду.

Устанавливайте печь только на ровном полу.

Если прибор не будет использоваться более 2 недель, слейте воду из поддона и бака и протрите поддон.

После установки нельзя перемещать печь и опрокидывать её, не слив предварительно воду из поддона и бака.

Бак для воды, поддон, крышку поддона, пробку бака и воздушные фильтры следует очищать каждые две недели, в особенности, в регионах с жёсткой водой.

Нельзя использовать печь, если лампы не работают. Лампы следует регулярно проверять, как описано в главах 'Техобслуживание' и 'Замена ламп'.

Указания по установке

Убедитесь в том, что весь упаковочный материал снят (внимательно прочтите все предупреждающие надписи).

Сохраните всю упаковку на случай последующей транспортировки или возврата прибора поставщику.

Установка прибора;

Установите печь у стены и подключите к электросети. Вставьте штепсельную вилку в розетку сети питания 13 А/240 В.

Перед включением прибора ознакомьтесь с приведёнными ниже инструкциями.

Перед тем, как использовать элементы ручного управления, заполните бак водой (см. разделы 'Техобслуживание', 'Заполнение бака для воды').

Элементы ручного управления


Элементы ручного управления печи Opti-myst находятся за дверцами.

(Схему элементов ручного управления см. на рис.2)

Выключатель 'A':- управляет подачей питания к печи.

Примечание: Для того, чтобы обеспечить работу печи как в режиме нагрева, так и в режиме без нагрева, установите данный выключатель в положении 'ON' (I).

Выключатель 'B':- управляет функциями камина.

Нажмите  один раз, чтобы включить эффект пламени. Выполнение операции подтверждается однократным звуковым сигналом.

Несмотря на немедленное включение основных индикаторов, фактическая активация эффекта пламени имеет место примерно через 30 секунд.

Повторно нажмите , чтобы включить эффект пламени и половинный нагрев.

Выполнение операции подтверждается двумя звуковыми сигналами.

Повторно нажмите , чтобы включить эффект пламени и активировать режим полного нагрева.

Выполнение операции подтверждается тремя звуковыми сигналами.

Повторно нажмите , чтобы оставить только эффект пламени.

Выполнение операции подтверждается однократным звуковым сигналом.

Нажмите , чтобы перевести печь в режим ожидания.

Выполнение операции подтверждается однократным звуковым сигналом.

Регулятор 'C':- управляет интенсивностью эффекта пламени.

Вращение регулятора влево увеличивает интенсивность эффекта пламени, вращение регулятора вправо - уменьшает интенсивность эффекта пламени.

Регулятор 'D':- управляет настройкой электронного термостата.

Вращение регулятора влево снижает температуру, вращение регулятора вправо - повышает температуру.

Индикатор 'E':- включенный индикатор указывает на то, что бак для воды пуст. Прибор подает два звуковых сигнала.

Если бак для воды пуст, основные индикаторы выключаются. См. указания в главах 'Техобслуживание', 'Заполнение бака для воды'. После завершения данной процедуры основные индикаторы загораются; при этом, фактическое возобновление эффекта пламени будет иметь место через 30 секунд.

В зависимости от температуры и влажности помещения внутри печи может образовываться конденсат. Чтобы предотвратить образование конденсата, с помощью ручки регулировки эффекта пламени уменьшите интенсивность эффекта пламени и оставьте дверцы печи приоткрытыми до прогрева стекла.

Электронный термостат

Термостат предназначен для управления мощностью нагрева в соответствии с температурой в помещении. Таким образом печь не будет производить лишнее тепло в прогретом помещении.

Чтобы установить нужную температуру, поверните регулятор термостата 'D' (см. рис.2) вправо до достижения необходимой температуры. Чтобы быстро прогреть холодное помещение, поверните регулятор термостата 'D' (см. рис.2) до упора. После достижения необходимой температуры, поверните ручку термостата 'D' (см. рис.2) влево, чтобы установить нужную мощность нагрева.

Теперь печь будет автоматически поддерживать заданную температуру.

Использование пульта дистанционного управления

В режиме дистанционного управления выключатель А (см. рис. 2) на панели управления должен находиться в положении 'ON' (I). На пульте ДУ имеются 3 кнопки. (См. рис.7)

Чтобы обеспечить надлежащую работу пульта ДУ, направляйте его на переднюю панель эффекта пламени. В режиме ДУ предусмотрены следующие функции:

Нажмите один раз, чтобы включить только эффект пламени.



Выполнение операции подтверждается однократным звуковым сигналом.

Нажмите один раз, чтобы включить половинный нагрев и эффект пламени.

Выполнение операции подтверждается двумя звуковыми сигналами.



Нажмите один раз, чтобы включить полный нагрев и эффект пламени.

Выполнение операции подтверждается тремя звуковыми сигналами.



Режим ожидания

Выполнение операции подтверждается однократным звуковым сигналом.

Информация об элементах питания

1. Снимите крышку с обратной стороны пульта ДУ. (См. рис.7)
2. Установите в пульт элементы питания типа ААА.
3. Установить крышку батарейного отсека на место.

Утилизация батарей с нарушенной герметичностью.

Обеспечьте надлежащую утилизацию элементов питания в соответствии с государственными и региональными нормами.

Установка элементов питания разного типа, неправильная установка, разрозненная замена элементов питания, их ликвидация путем сжигания в открытом огне, а также попытки зарядки элементов питания, не предназначенных для повторного использования, могут привести к утечке электролита.

Тепловые плавкие предохранители

Встроенный в вентиляционную печь тепловой плавкий предохранитель предотвращает её повреждение вследствие перегрева. Перегрев может произойти в случае ограничения отвода тепла или ненадлежащего блокирования дымохода. Если сработал предохранитель, отсоедините печь от розетки сети питания и включите её снова примерно через 10 минут. Перед повторным включением печи устраните все препятствия для отвода тепла, затем задайте обычный режим работы.

Советы по использованию прибора

1. Выдвигайте ящик только при необходимости доливки воды в бак или замены ламп, иначе возможно превышение уровня воды в поддоне и ослабление эффекта пламени. Если это произойдёт, слейте воду из поддона в соответствии с инструкциями в главе 'Техобслуживание'.
2. В режиме минимального пламени прибор использует примерно 40 мл воды на каждый час и работает в три раза дольше, чем в режиме максимального пламени.
3. Запрещается наклонять и двигать печь при наличии воды в баке или поддоне.
4. Устанавливайте печь только на ровном полу.
5. Чтобы добиться реалистичного эффекта пламени, поверните ручку регулировки пламени 'С', рис.2, вверх или вниз.
6. Иногда пламя кажется более реалистичным, если ручка регулировки повернута вниз.
7. Генератору пламени требуется некоторое время для реакции на изменения, выполненные ручкой регулировки пламени.

Замена ламп

Если заметно большое количество серого или бесцветного дыма, то вероятно поломка одной или нескольких ламп.

Неисправности ламп можно выявить следующим образом.

1. Оставьте эффект пламени включённым, полностью откройте дверцы, осторожно выдвиньте ящик за язычок. (См. рис.3)
2. Рассмотрите лампы на расстоянии перед печью, чтобы определить, какие лампы необходимо заменить.
3. Переверните выключатель 'А' в положение 'OFF' (выкл.) и отсоедините печь от сети питания.
4. Оставьте прибор в неактивном состоянии на 20 минут, чтобы лампы могли остыть перед заменой.
5. Приподнимите и снимите бак для воды, поставьте его в раковину.
6. Снимите поддон, следуя инструкциям раздела "Чистка".
7. Удалите неисправную лампу, осторожно подняв ее вертикально и отсоединив контакты от патрона, (см. рис.4 и 5). Замените лампу цветной лампой Dimplex Opti-myst, 12 В, 50 Вт, с цоколем Gu5.3, углом расхождения пучка 8°. (Приобретаются на веб-узле www.dimplex.co.uk в разделе 'Послепродажное обслуживание', порядок приобретения ламп описан на веб-узле.)
8. Осторожно вставьте два контакта новой лампы в два отверстия в патроне. Вдавите, чтобы обеспечить плотную посадку лампы в патроне. (См. рис.4 и 5).
9. Установите на место поддон и бак для воды и тщательно закройте ящик и дверцы.
10. Включите прибор.

Заполнение бака для воды

Если во время первого использования прибора или же в случае включения индикатора уровня воды отсутствует вода и необходимо заполнить бак, прибор подаст 2 звуковых сигнала; в этом случае выполните следующий порядок действий.

1. Откройте дверцы.
2. Нажмите выключатель 'А' в положение **(0)** (см. рис.2).
3. Полностью откройте дверцы и осторожно максимально выдвиньте ящик за язычок. (См. рис.3)
4. Снимите бак для воды, приподняв и выдвинув его наружу.
5. Поставьте бак для воды в раковину и открутите пробку, вращая ее против часовой стрелки. (См. рис.6)
6. Заполняйте бак только **фильтрованной водопроводной водой**. Благодаря этому продлевается срок службы блока создания пламени и дыма.
- Воду следует фильтровать обычным бытовым фильтром для воды, регулярно заменяя фильтр.
7. Установите пробку на место, **не перетягивайте пробку**.
8. Установите бак на поддон, при этом пробка бака должна быть обращена вниз, а плоская сторона бака - наружу.
9. Осторожно задвиньте ящик назад до упора.
10. Нажмите выключатель 'А' в положение 'ON' **(I)** (см. рис.2)
11. Нажмите выключатель 'В' один раз, чтобы включить эффект пламени. (См. раздел о ручном управлении, рис. 2)

Чистка

ВНИМАНИЕ! ПЕРЕД ЧИСТКОЙ ВСЕГДА ОТКЛЮЧАЙТЕ ПЕЧЬ ОТ ИСТОЧНИКА ПИТАНИЯ.

Рекомендуем очищать следующие компоненты каждые 2 недели, особенно в регионах с жёсткой водой: бак для воды, поддон и уплотнение, крышку поддона, пробку и уплотнение бака, воздушный фильтр. Общая чистка выполняется мягкой, чистой тканью - никогда не используйте абразивные чистящие средства. Для удаления скопления пыли или пуха и очистки вытяжной воздухораспределительной решетки вентилятора печи периодически используйте пылесос с насадкой в форме мягкой щетки.

Бак для воды

1. Снимите бак для воды, следуя описанным выше инструкциям, поставьте его в раковину и слейте воду.
2. Прилагаемой щёткой аккуратно очистите внутренние поверхности пробки, уделяя особое внимание резиновому кольцу в наружном пазу и центральному уплотнительному кольцу.
3. Налейте немного жидкости для мытья посуды в бак, закройте пробку и хорошо встряхните, затем полностью смойте моющую жидкость.
4. Залейте только фильтрованную воду, установите пробку на место, не затягивайте слишком сильно.

Поддон

1. Нажмите выключатель 'A' в положение 'OFF' (0)
2. Осторожно максимально выдвиньте ящик за язычок. (См. рис.3)
3. Снимите бак для воды, приподняв его.
4. Отсоедините электрический разъём, расположенный с левой стороны поддона, отвернув вначале два зажимных винта, и осторожно извлеките разъём. (См. рис.8)
5. Разомкните нижние фиксаторы поддона, повернув их на 90°; после этого можно полностью снять поддон. (См. рис.9)
6. Осторожно приподнимите узел поддона, держа его ровно, чтобы не пролить воду. Поместите весь блок в раковину. (Рис.10)
7. Разомкните два верхних фиксатора поддона, повернув их на 90°, затем снимите крышку поддона. (Рис.11)
8. Осторожно наклоните поддон, как показано на иллюстрации, чтобы жидкость вытекла из поддона. (Рис.12)
9. Налейте немного жидкости для мытья посуды в поддон и прилагаемой щёткой аккуратно очистите все поверхности, в т.ч. металлические диски и резиновое уплотнение на верхней поверхности с канавкой. **Не удаляйте резиновые уплотнения.** (См. рис.13 и 14)
10. После чистки тщательно промойте поддон чистой водой.
11. Очистите наружную поверхность крышки поддона щёткой и тщательно промойте водой. (См. рис.15 и 16)
12. Сборка производится в обратном порядке.

Воздушный фильтр

1. Нажмите выключатель 'A' в положение 'OFF' (0) (см. рис. 2)
2. Осторожно максимально выдвиньте ящик за язычок. (См. рис.3)
3. Снимите бак и поместите в раковину пробкой вверх.
4. Осторожно отодвиньте вверх пластиковый держатель фильтра. (См. рис.17)
5. Выньте блок фильтров из держателя.
6. Осторожно промойте водой в раковине и вытрите полотенцем.
7. Установите блок фильтров на место, обеспечив контакт черного фильтра грубой очистки с пластмассовым держателем. (См. рис.18)
8. Установите бак на место.
9. Полностью закройте ящик.
10. Нажмите выключатель 'A' в положение 'ON' (I) (см. рис.2)

Послепродажное обслуживание

По вопросам послепродажного обслуживания или приобретения запасных частей обращайтесь к розничному продавцу, у которого был приобретен данный прибор, или позвоните в местный центр обслуживания клиентов по номеру, указанному на гарантийном талоне. Не возвращайте неисправное изделие при первом же сбое в его работе, поскольку это может привести к необоснованным издержкам, ущербу или задержке в предоставлении обслуживания на надлежащем уровне. Сохраните чек, который подтверждает факт покупки прибора.

Устранение неисправностей

Признак	Причина	Способ устранения
Эффект пламени не включается.	Штепсельная вилка не вставлена в розетку сети питания. Выключатель А находится в положении 'ON' (I), при этом, выключатель В не нажат. (См. рис.2) Низкий уровень воды. Низковольтный коннектор неправильно подсоединён. (См. рис.8)	Убедитесь в том, что штепсельная вилка вставлена в розетку сети питания. Нажмите на выключатель В один раз, чтобы выбрать эффект пламени. (См. рис.2) Проверьте индикатор низкого уровня воды 'Е' под вытяжным куполом. (См. рис.2). Если он включён ('ON'), заполните бак водой. Убедитесь в том, что коннектор правильно подсоединён. (См. рис.8)
Эффект пламени слишком слабый.	Регулятором выбран слишком слабый эффект пламени. (См. рис.2) Уровень воды в поддоне может быть слишком высоким из-за того, что ящик открывался и закрывался слишком часто, бак для воды снимался слишком часто или печь передвигалась. Может быть загрязнён металлический диск на основании поддона (см. рис.13)	Увеличьте уровень пламени, медленно вращая регулятора С влево. (См. рис.2) Если уровень воды в поддоне превышает 40 мм, следует вынуть поддон и слить с него воду. Очистите металлический диск прилагаемой мягкой щёткой. (См. рис.13) Пошаговую инструкцию см. в разделе 'Техобслуживание'.
Во время использования прибора чувствуется неприятный запах.	Грязная или старая вода. Используется нефilterованная вода.	Очистите прибор, как описано в разделе "Техобслуживание". Используйте только фильтрованную водопроводную воду.
Эффект пламени даёт слишком много дыма.	Установлен эффект пламени слишком большой интенсивности.	Поверните регулятор пламени С вправо до минимума и затем медленно вращайте его влево, примерно на ¼ оборота за один раз. Перед тем, как увеличивать интенсивность, дайте генератору пламени адаптироваться к минимальной мощности течение некоторого времени. (См. рис.2)
Основные лампы не горят, нет пламени или дыма.	Горит индикатор 'Е', рис.2. Индикатор 'Е', рис.2, не горит.	Следуйте указаниям, приведённым в разделе Техобслуживание , 'Заполнение бака для воды'. Убедитесь в том, что штепсельная вилка надлежащим образом подсоединена к розетке сети питания. Выключатель 'А' рис. 2 находится в положении 'ON' (I). Чтобы включить эффект пламени, нажмите выключатель 'В', рис. 2, только один раз (прозвучит один звуковой сигнал).
Конденсация на внутренних стеклянных поверхностях	Возможно, стеклянные поверхности холодные	Слегка приоткройте дверцы печи, пока стекло не нагреется. Уменьшите эффект пламени на это время.

Opti-myst is a trade mark of Dimplex UK Ltd

This product is protected by one or more of the following patents : PCT/ EP2005/009774, PCT/ EP2007/002207, GB0717773.6, GB0717772.8, GB0717770.2, GB0809322.1The design of this product is protected by EU Design Rights

Opti-myst является торговой маркой компании Dimplex UK Ltd

Данное изделие защищено одним или несколькими следующими патентами: PCT/ EP2005/009774, PCT/ EP2007/002207, GB0717773.6, GB0717772.8, GB0717770.2, GB0809322.1. Дизайн данного изделия защищён EU Design Rights
