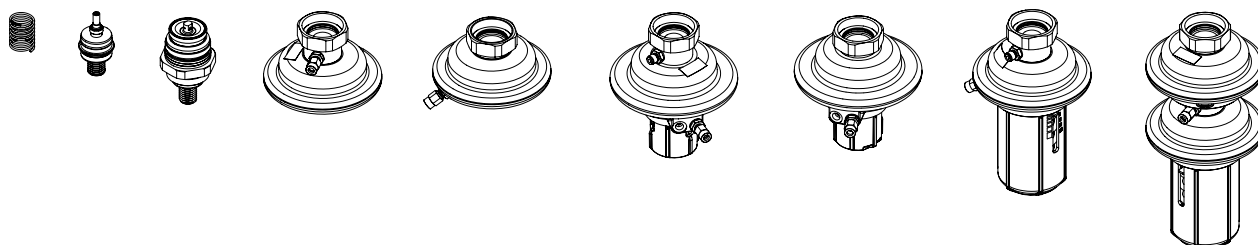


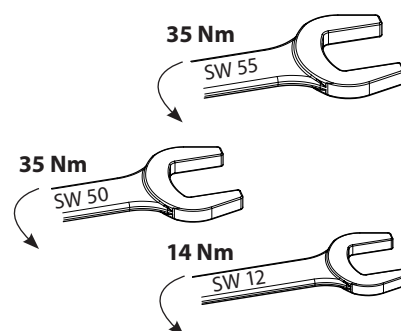
Instructions Service kits



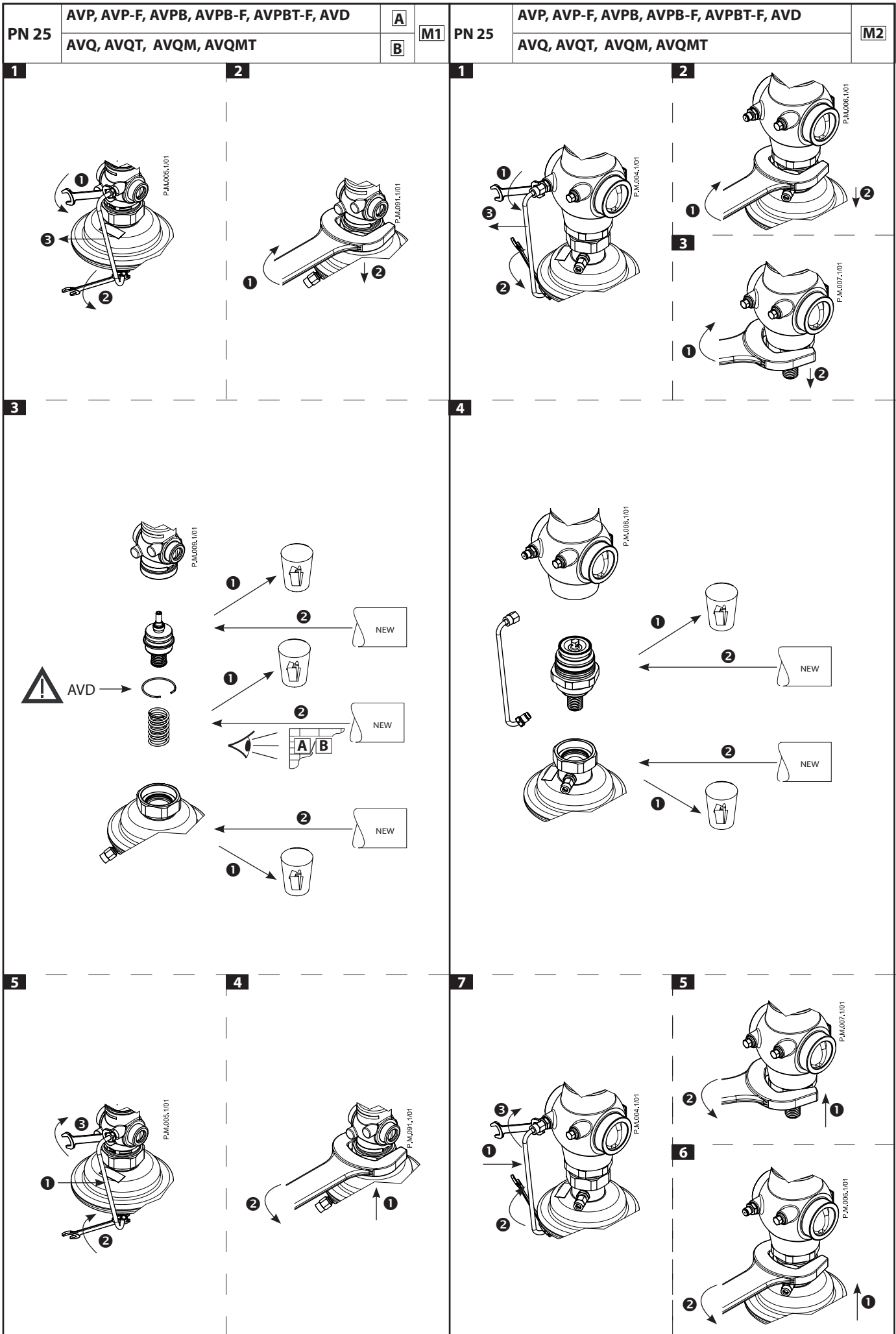
A	PN	DN	Δp (bar)							Code No.
			0.05 ÷ 0.5 0.1 ÷ 0.5	0.2 ÷ 1.0	0.3 ÷ 2.0	0.8 ÷ 1.6	0.2	0.3	0.5	
16	15 ÷ 32		-	×		-	×	-	-	003H1330
			-	-		-	-	×	-	003H1326
			-	-		-	-	-	×	003H1331
			-	-		×	-	-	-	003H1332
25	15 ÷ 50			-	-		×		88835920	
	15 ÷ 25			-	-		-	×	88835930	
	32 ÷ 50			-	-		-	×	88835940	

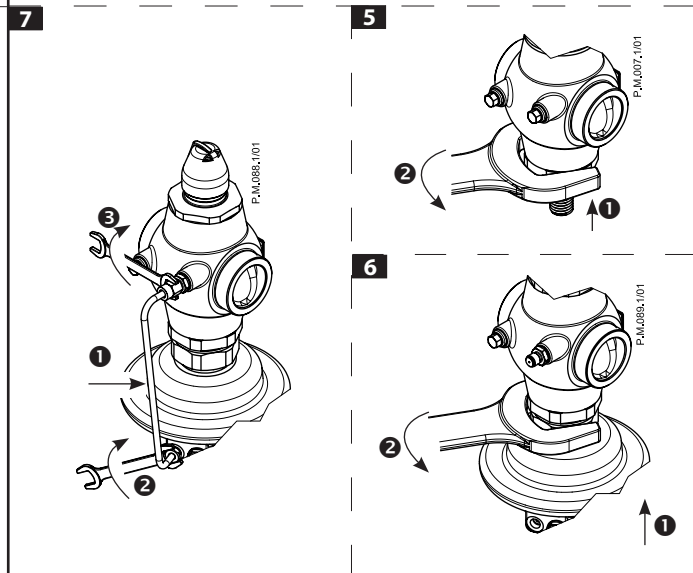
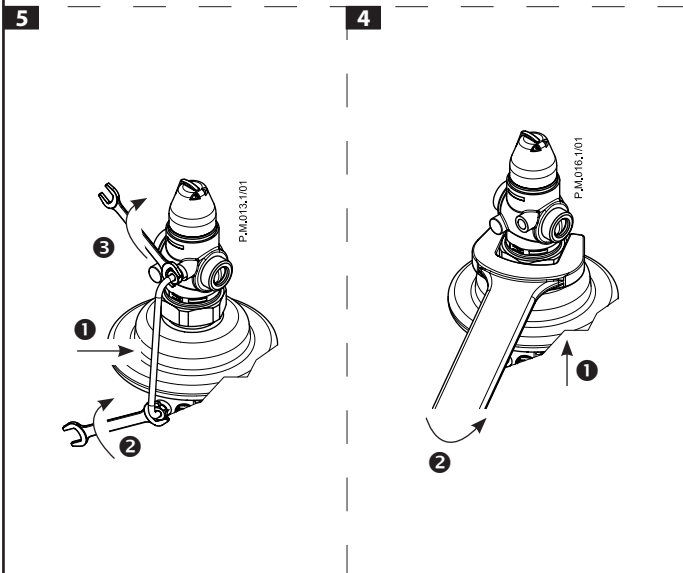
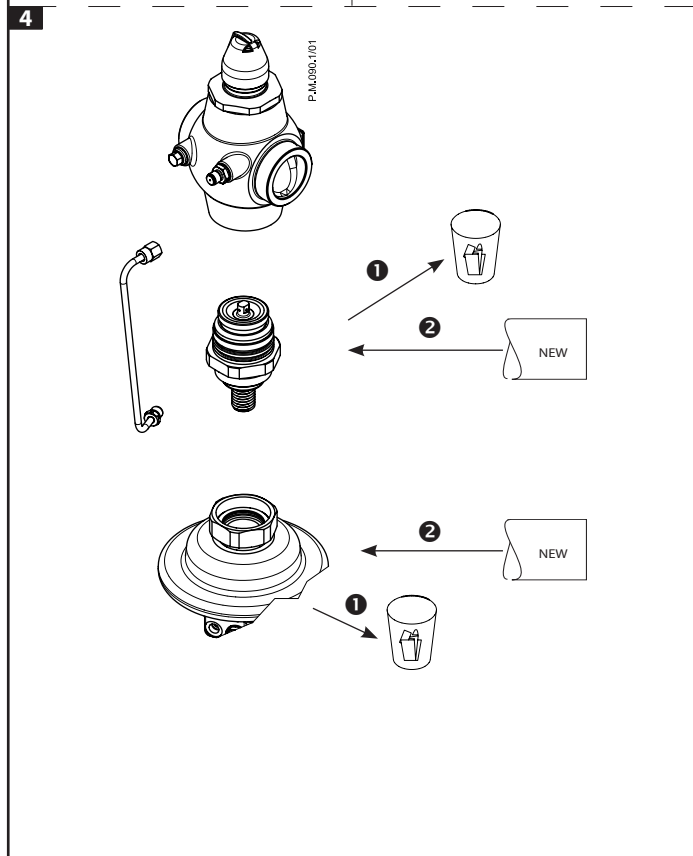
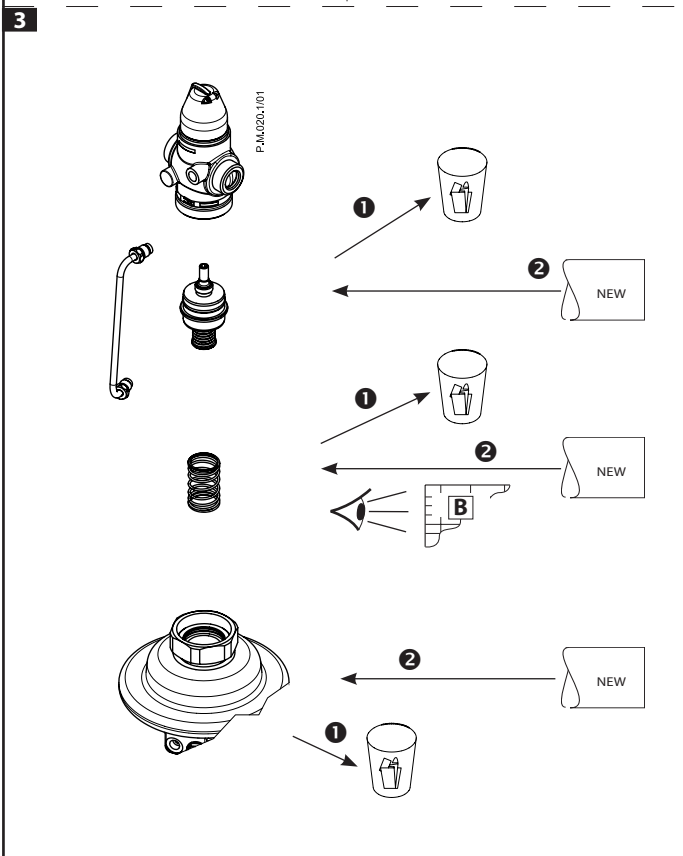
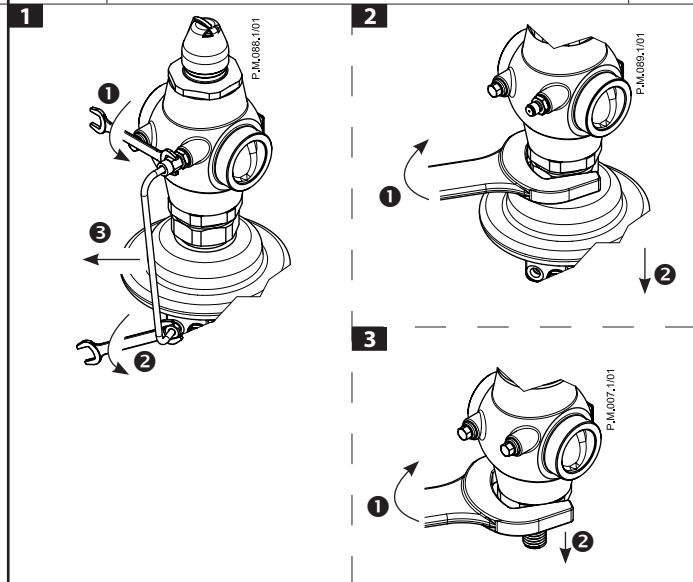
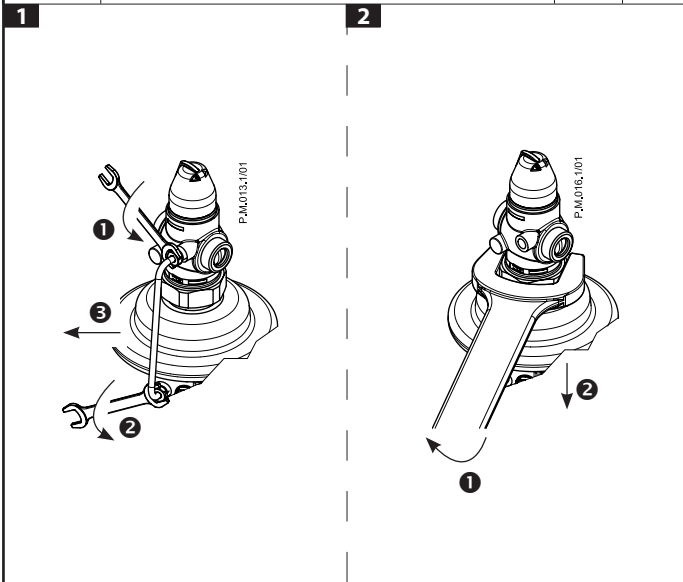
M1	CuSn5ZnPb (Rg5)
M2	EN-GJS-400-18-LT (GGG 40.3)

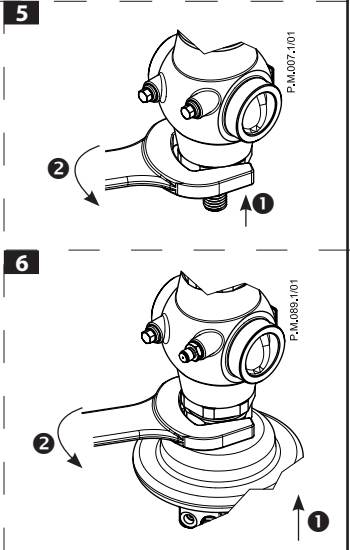
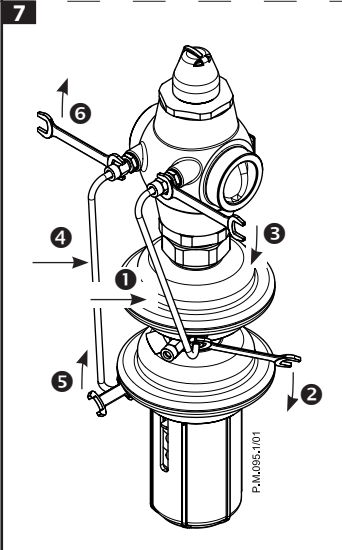
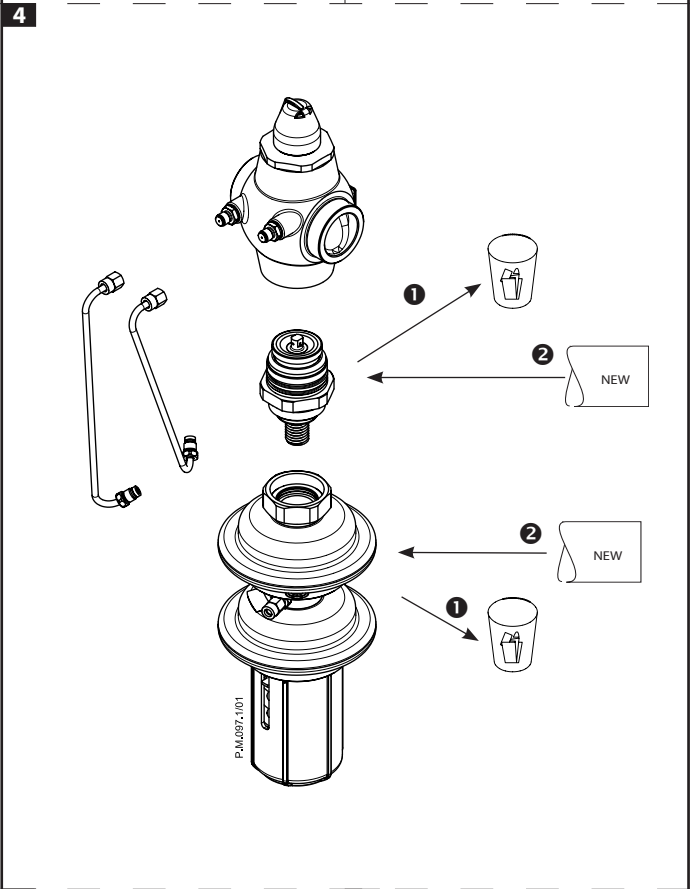
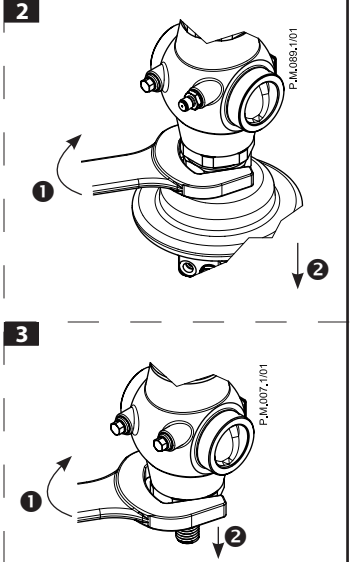
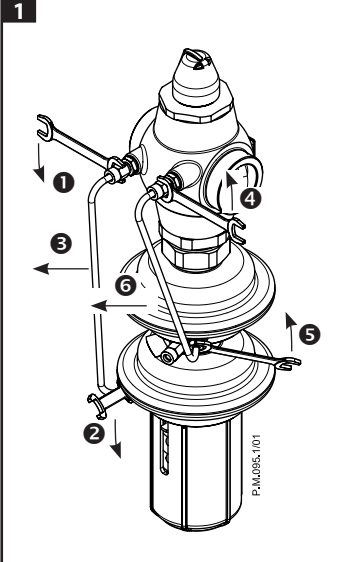
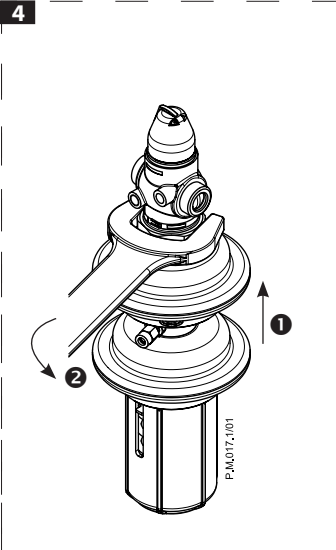
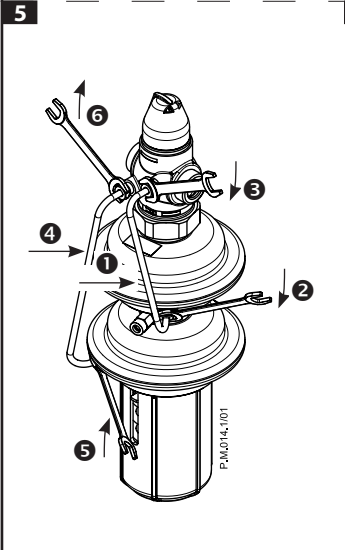
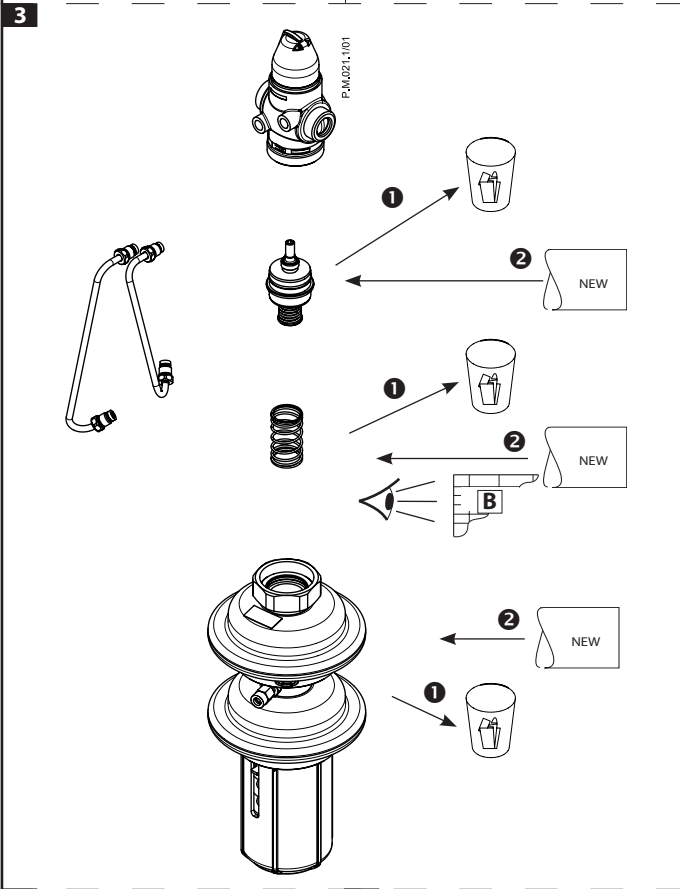
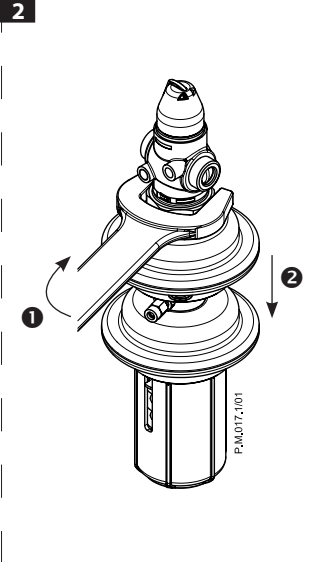
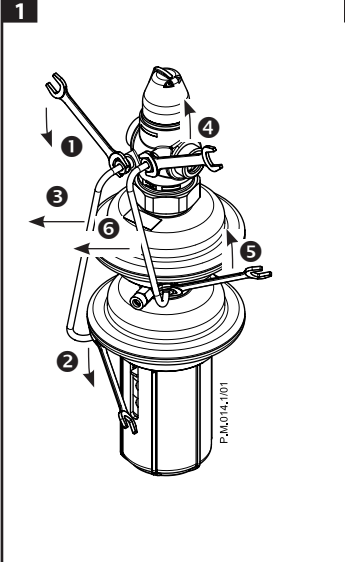
B	PN	DN	Δp _b (bar)							Code No.
			0.1 ÷ 0.5	0.2 ÷ 1.0	0.3 ÷ 2.0	0.8 ÷ 1.6	0.2	0.3	0.5	
16	15 ÷ 32							×		003H1330
								×		88835920
25	32 ÷ 50							-		-



2	PN 25	AVP, AVP-F, AVPB, AVPB-F, AVPBT-F, AVD, AVQ, AVQT, AVQM, AVQMT	M1
2	PN 25	AVP, AVP-F, AVPB, AVPB-F, AVPBT-F, AVD, AVQ, AVQT, AVQM, AVQMT	M2
3	PN 25	AVPQ, AVPQ-F	M1
3	PN 25	AVPQ, AVPQ-F	M2
4	PN 25	AVPQ 4, AVPQ 4-F	M1
4	PN 25	AVPQ 4, AVPQ 4-F	M2
5	PN 25	AVPA	M1
5	PN 25	AVPA	M2







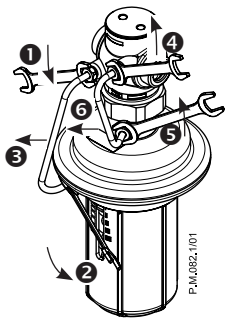
PN 25 AVPA

M1

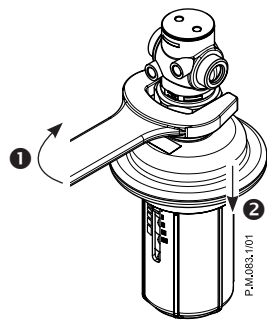
PN 25 AVPA

M2

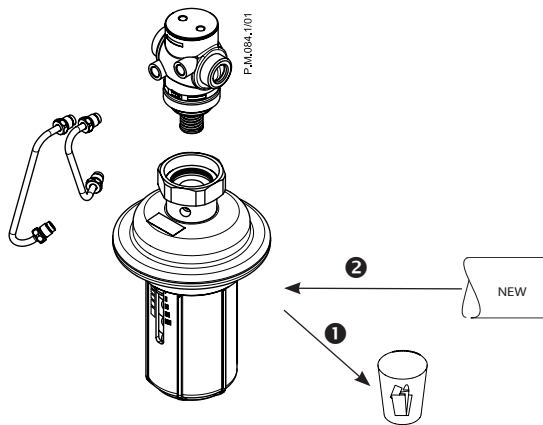
1



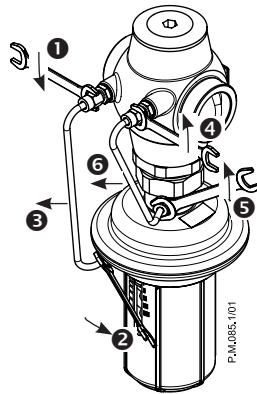
2



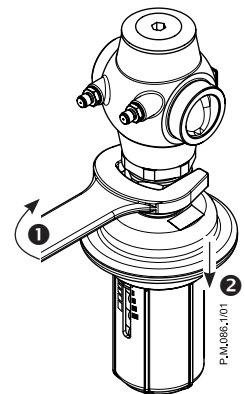
3



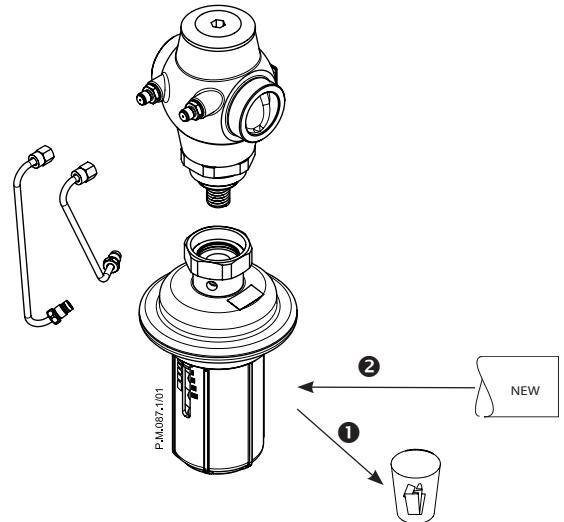
1



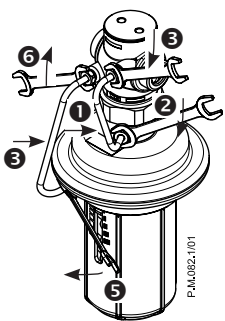
2



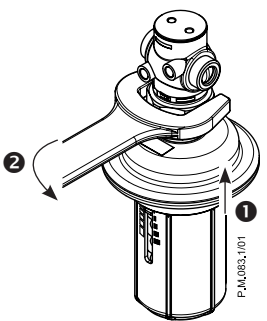
3



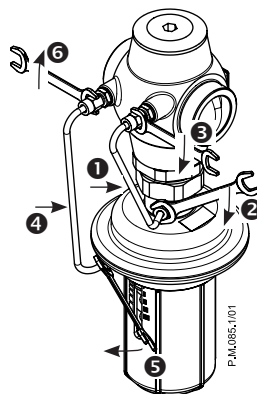
5



4



5



4

