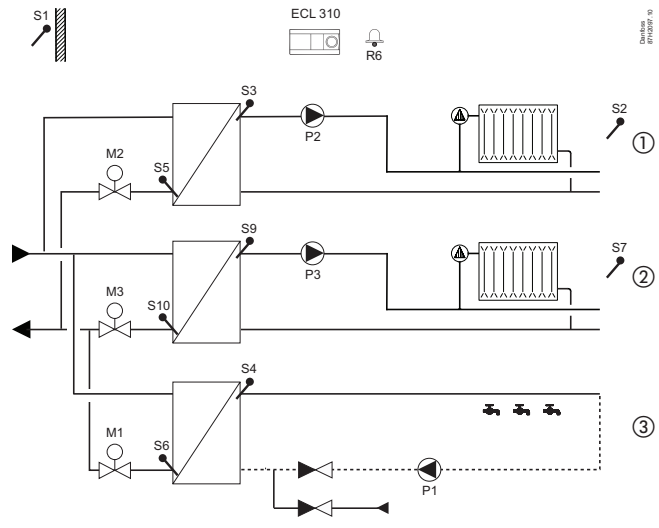


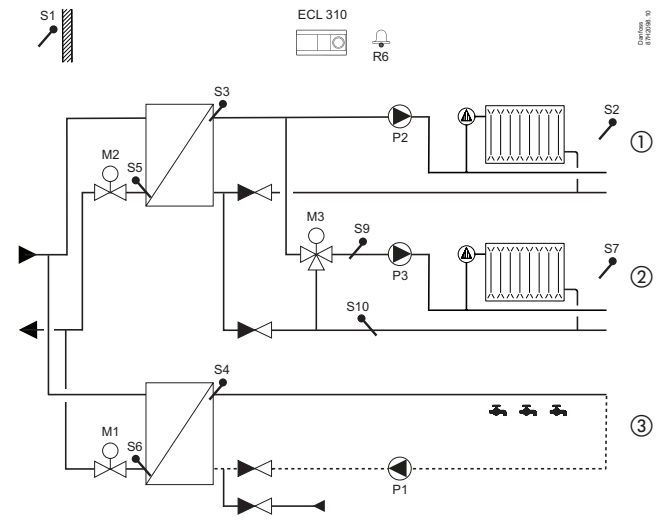
# Mounting Guide

## ECL Comfort 310, A376 (code no. 087H3810)

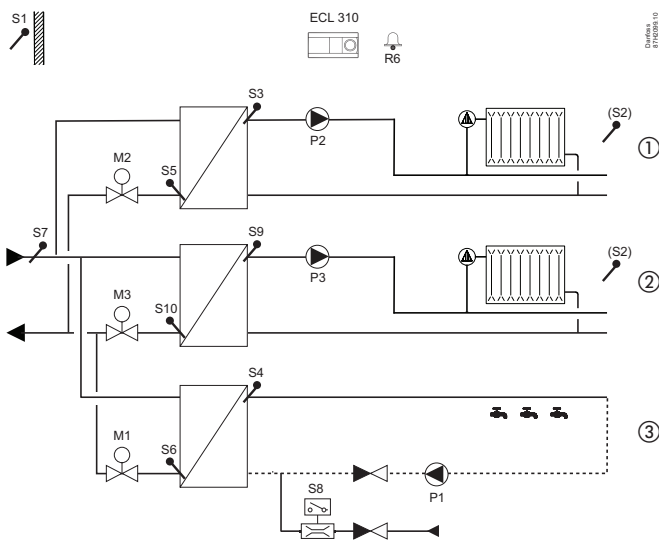
A376.1 (ex. a):



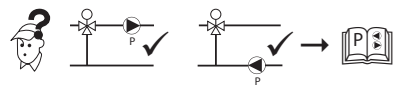
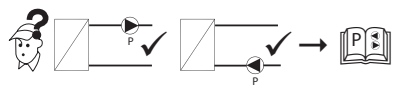
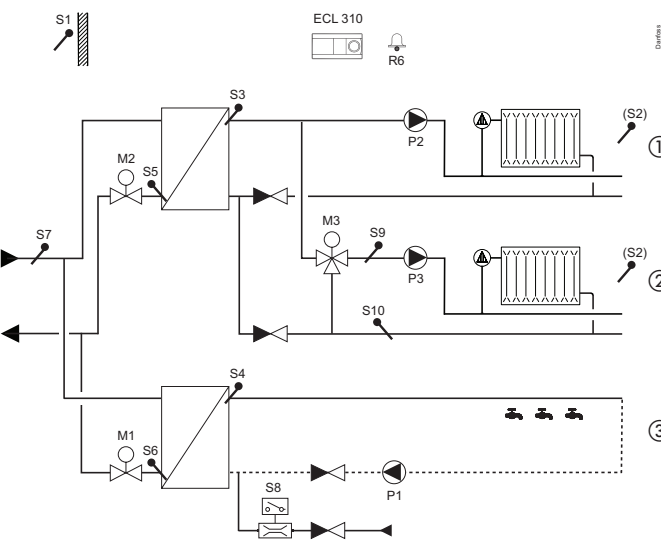
A376.1 (ex. b):



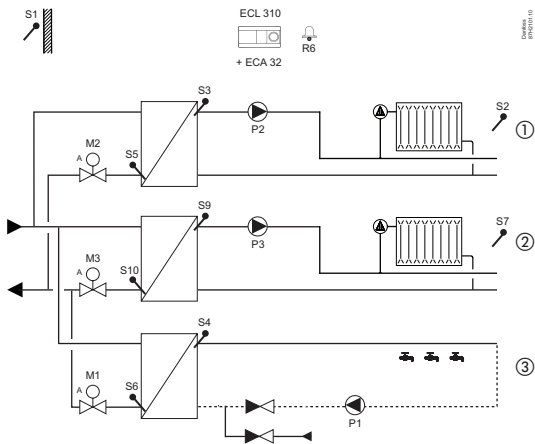
A376.2 (ex. a):



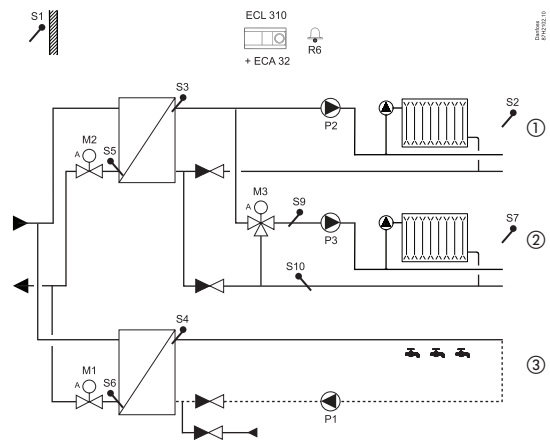
A376.2 (ex. b):



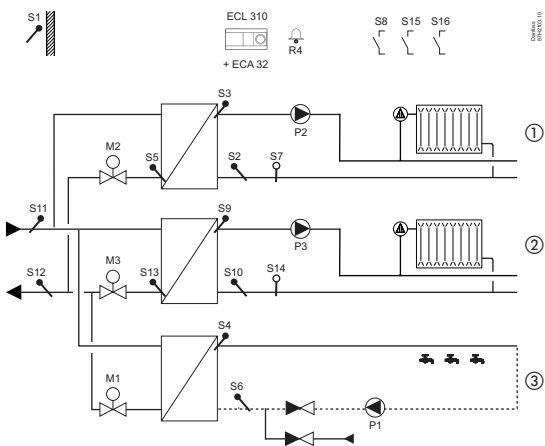
A376.3 (ex. a):



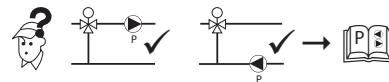
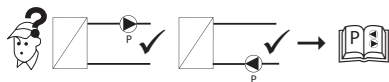
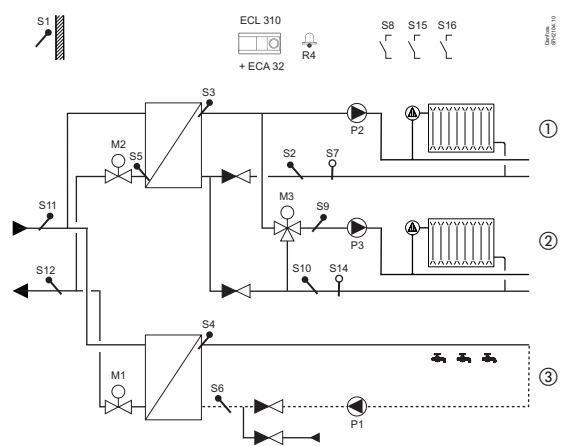
A376.3 (ex. b):



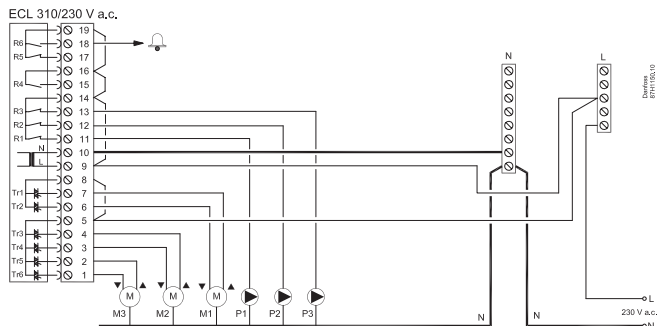
A376.9 (ex. a):



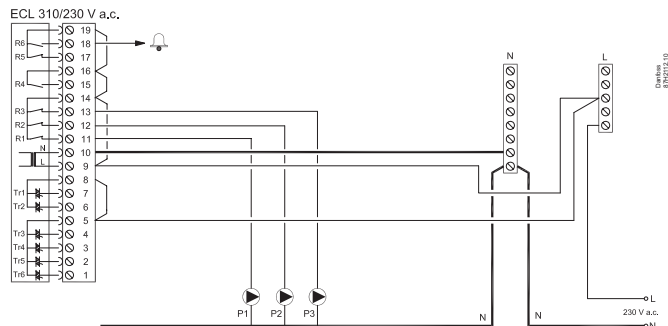
A376.9 (ex. b):



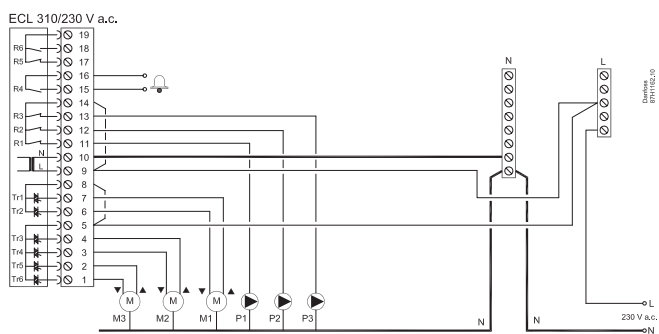
## 230 V a.c. - A376.1, A376.2



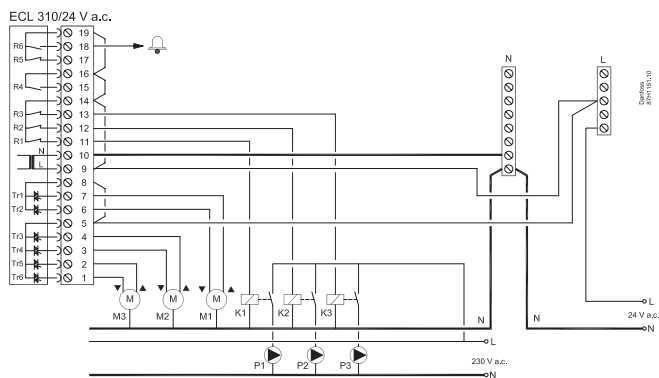
## 230 V a.c. - A376.3



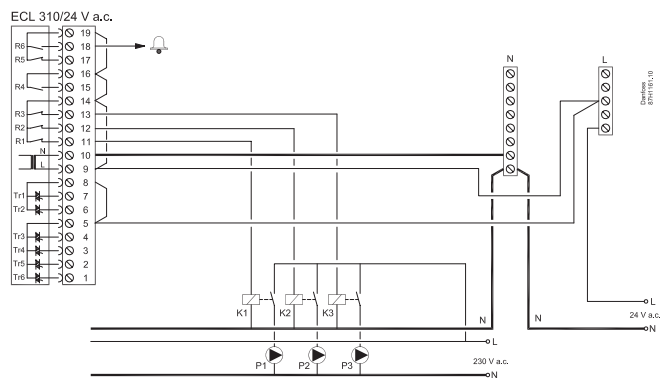
## 230 V a.c. - A376.9



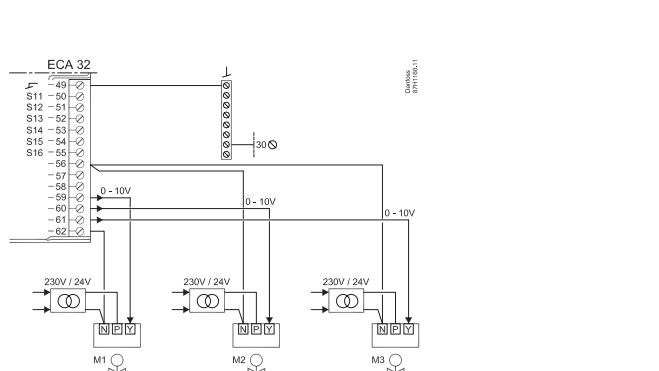
## 24 V a.c. - A376.1, A376.2



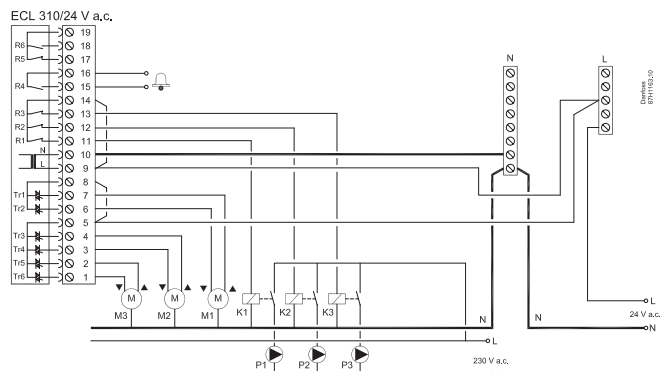
## 24 V a.c. - A376.3



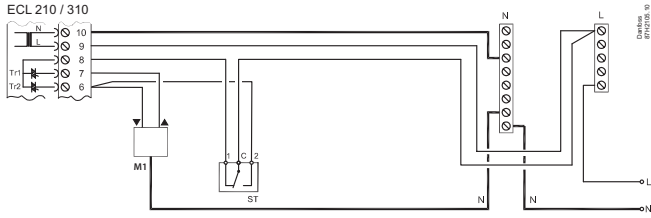
## 24 V a.c. - A376.3 - ECA 32



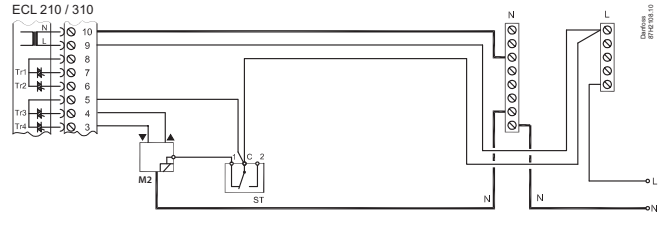
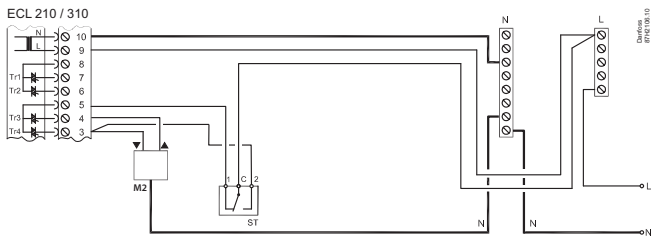
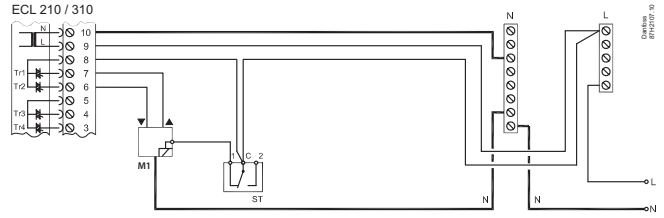
## 24 V a.c. - A376.9



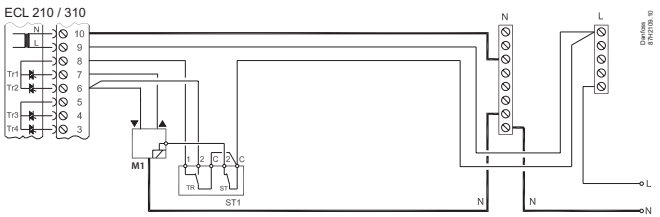
### 230 V a.c. / 24 V a.c. safety thermostat 1-step closing



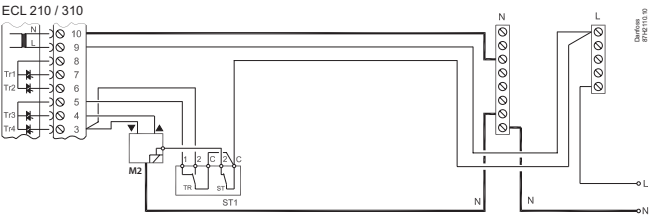
### 1-step closing



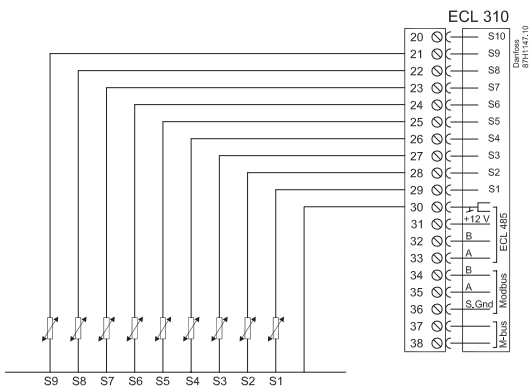
### 230 V a.c. / 24 V a.c. safety thermostat 2-step closing



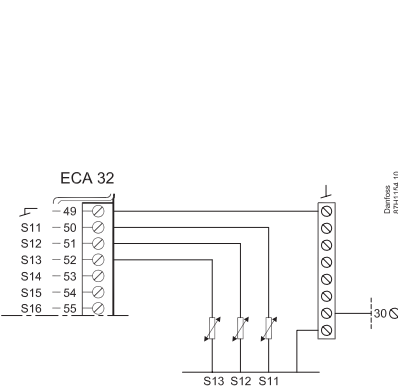
### 2-step closing



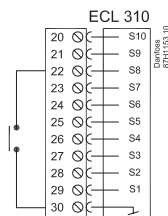
### Pt 1000 (1000 Ω / 0 °C)



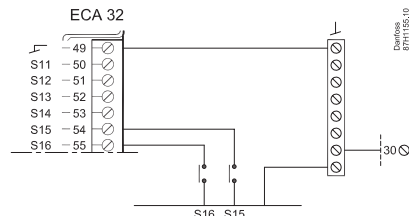
### Pt 1000 (1000 Ω / 0 °C) - A376.9 - ECA 32



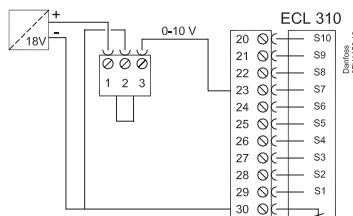
A376.2 / A376.9



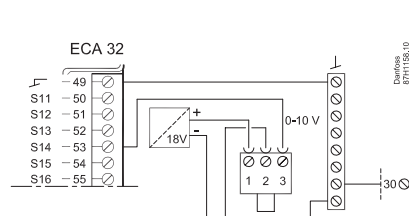
A376.9



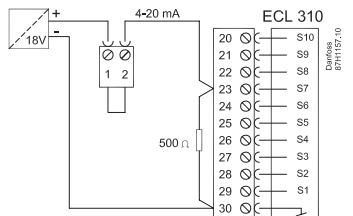
A376.9



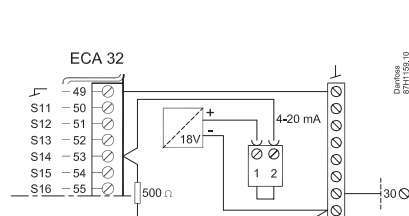
A376.9



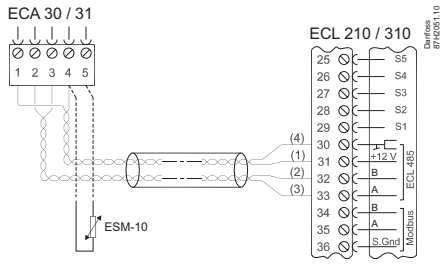
A376.9



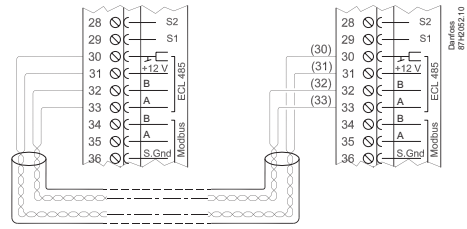
A376.9



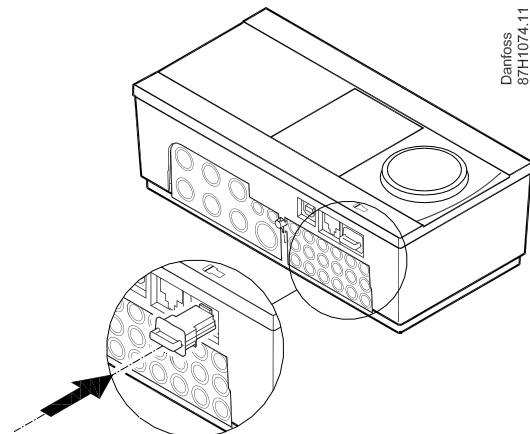
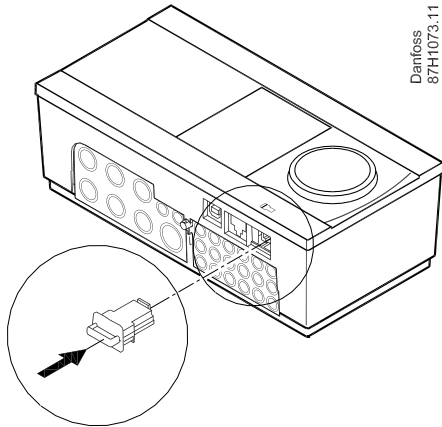
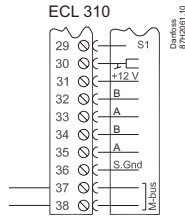
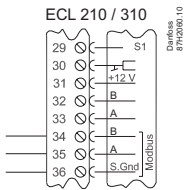
### ECA 30 / 31



### Master / slave



### Modbus / M-bus



ECL Comfort 310 / A376: <http://den.danfoss.com/>

