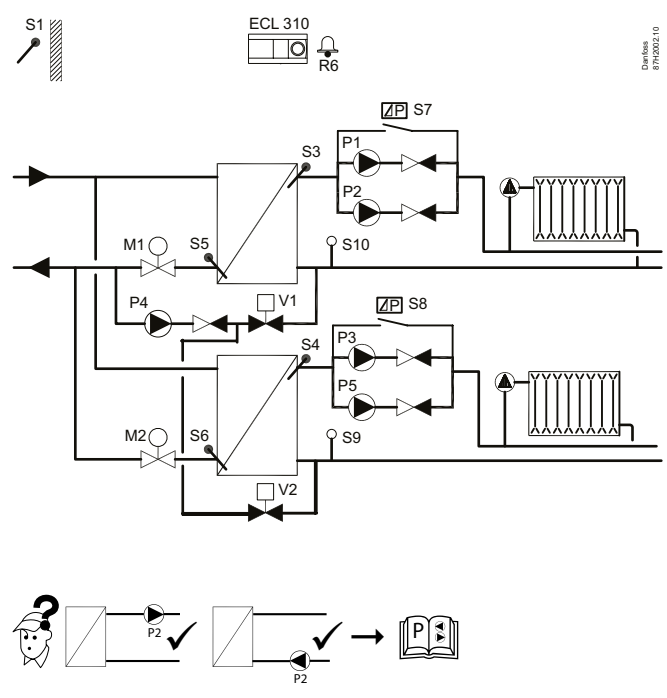


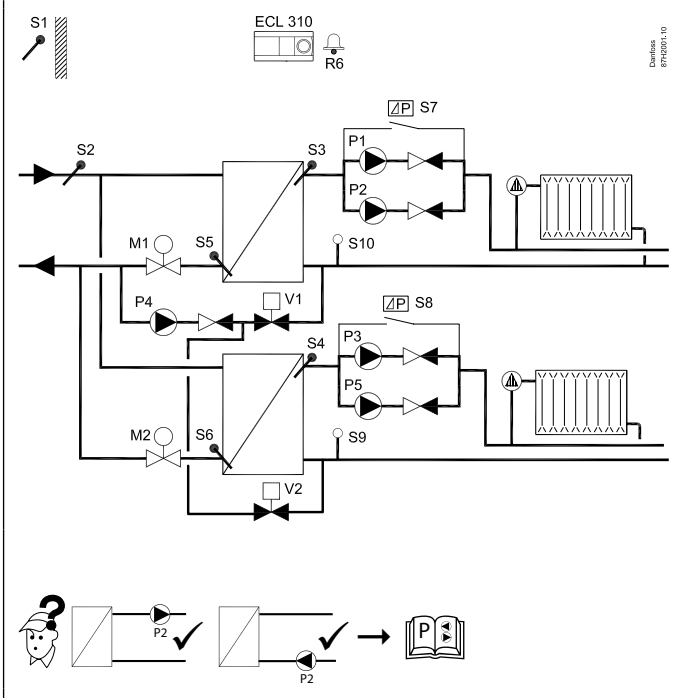
Mounting Guide

ECL Comfort 310, A361 (code no. 087H3804)

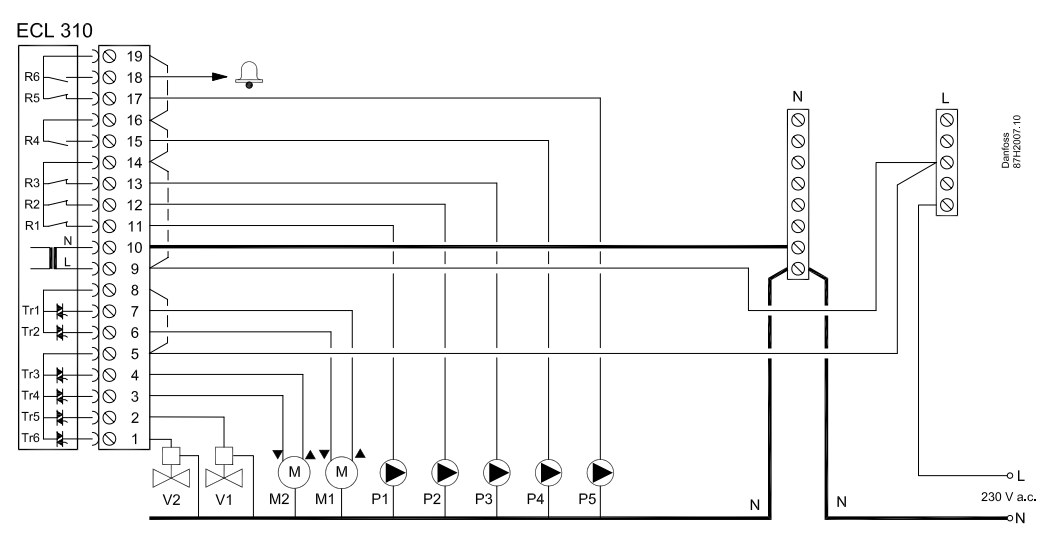
A361.1:



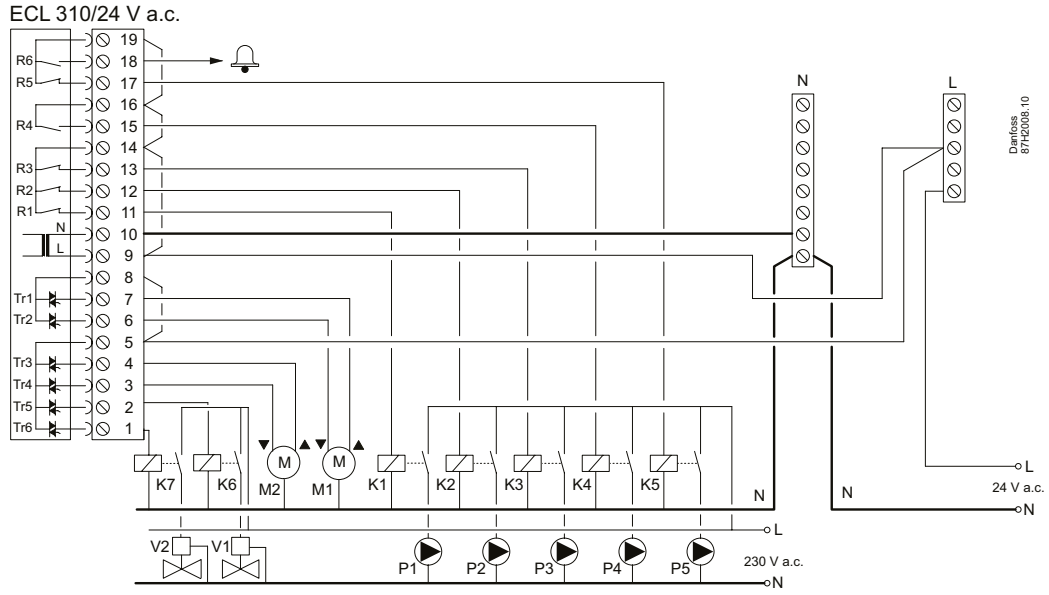
A361.2:



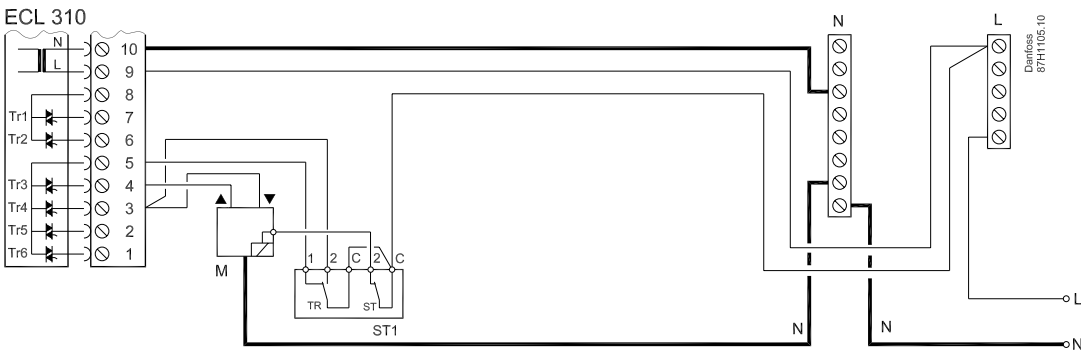
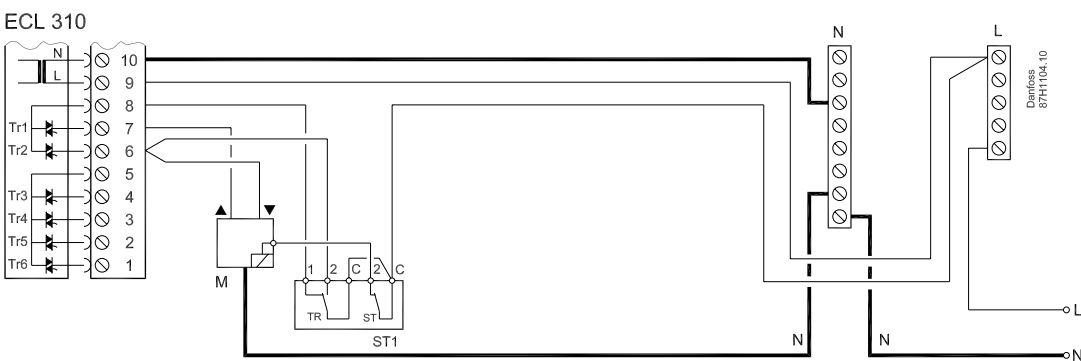
230 V a.c., A361.1 / A361.2



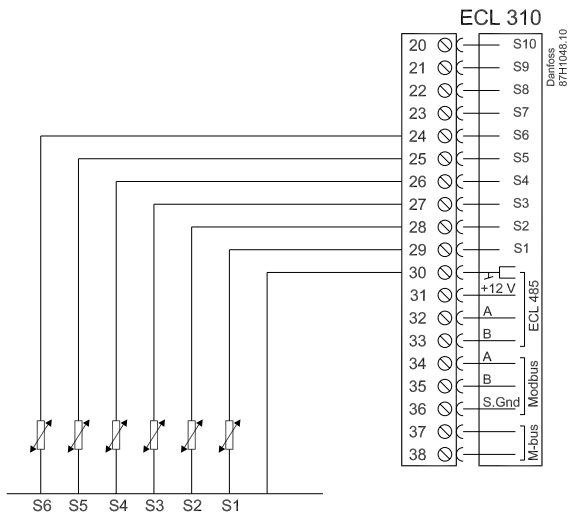
24 V a.c., A361.1 / A361.2



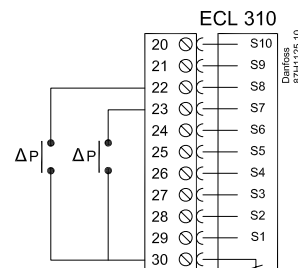
24 V a.c. / 230 V a.c. safety thermostat



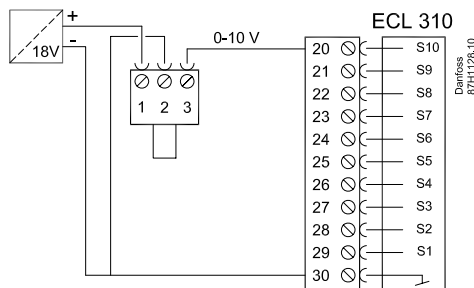
Pt 1000 (1000 Ω / 0 °C)
A361.1 (÷ S2) / A361.2



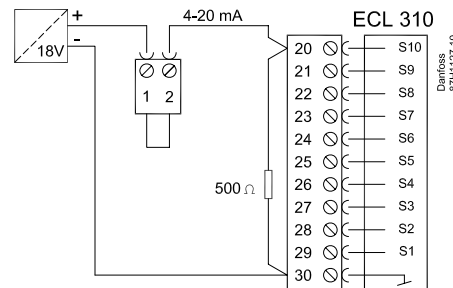
A361.1 / A361.2



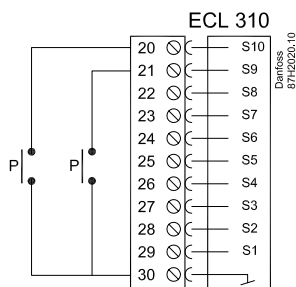
A361.1 / A361.2



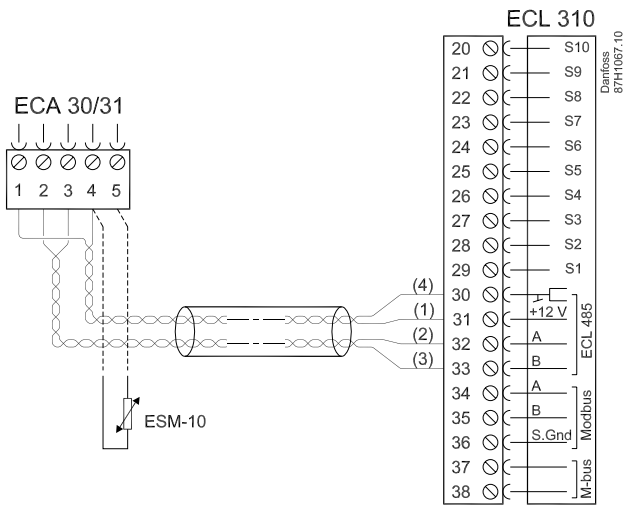
A361.1 / A361.2



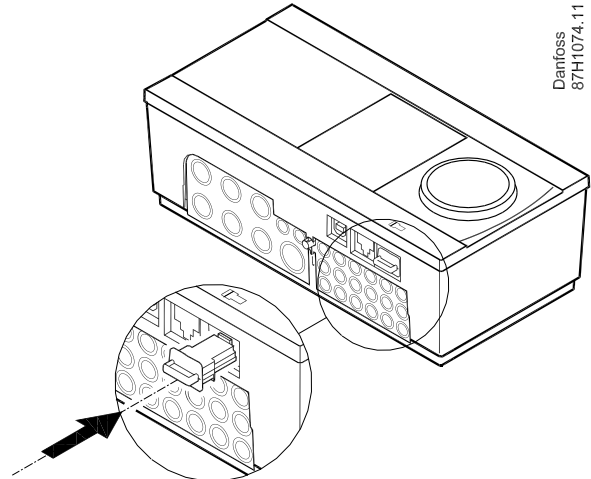
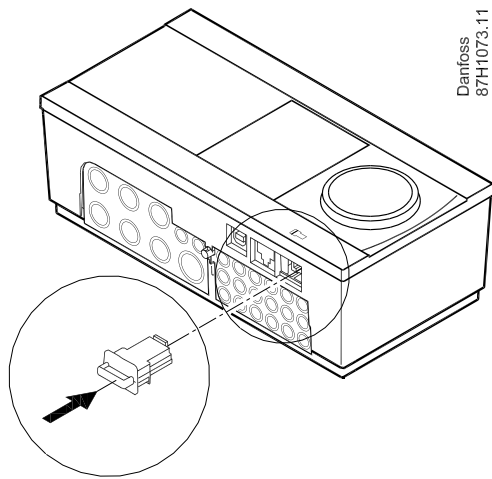
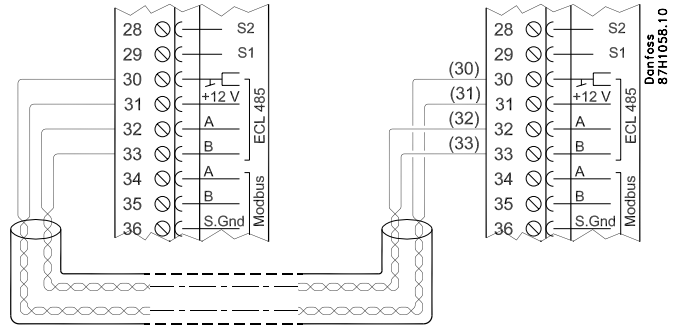
A361.1 / A362.2



ECA 30 / 31



Master / slave



ECL Comfort 310 / A361: <http://den.danfoss.com/>

