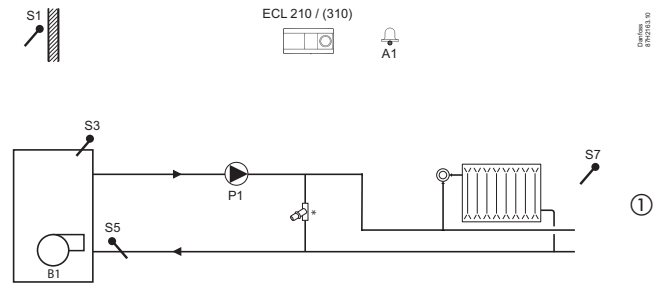


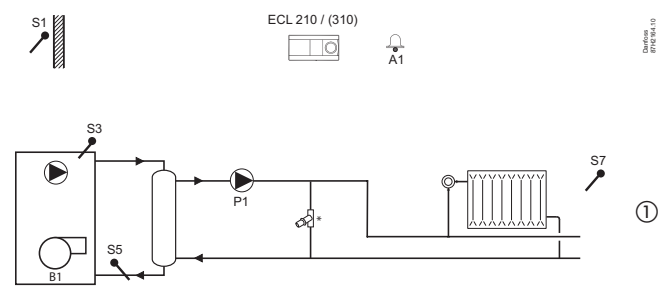
Mounting Guide

ECL Comfort 210/310, A275/A375 (code no. 087H3814)

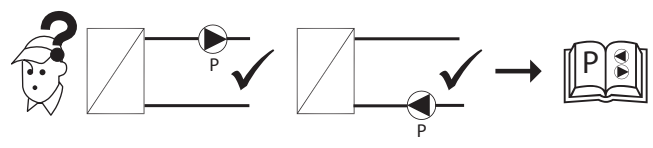
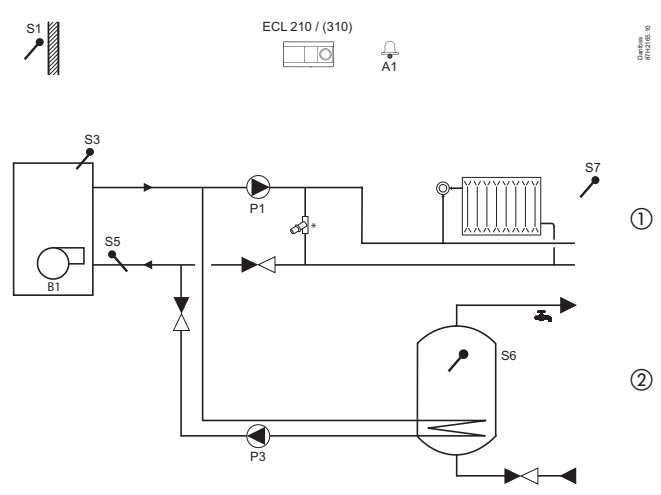
A275.1 (ex. a):



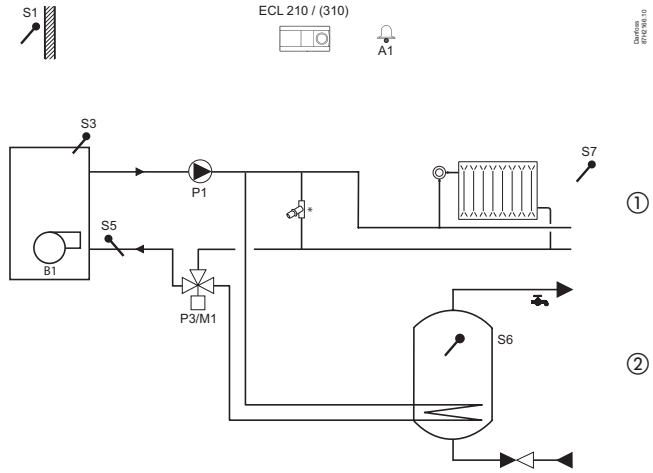
A275.1 (ex. b):



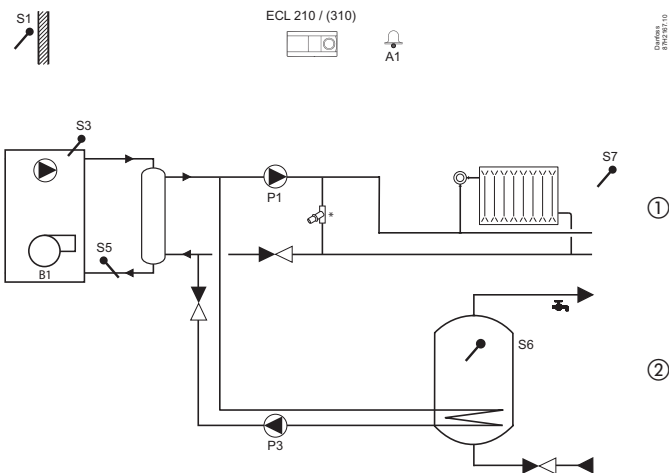
A275.2 (ex. a):



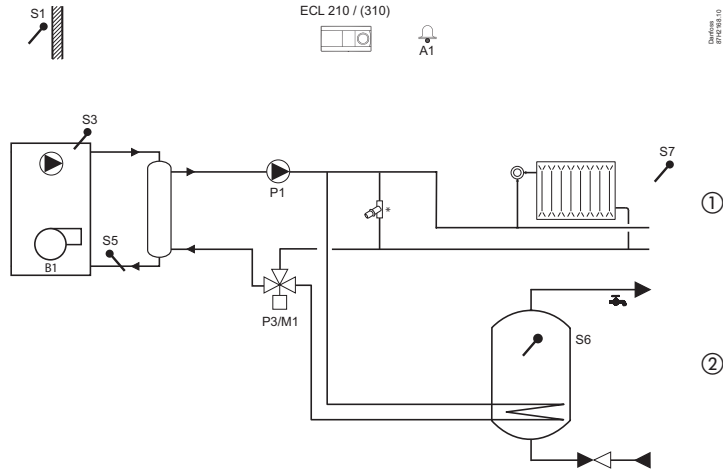
A275.2 (ex. b):



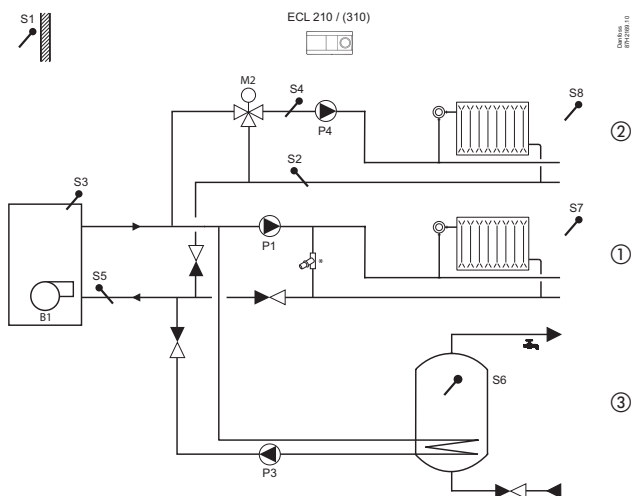
A275.2 (ex. c):



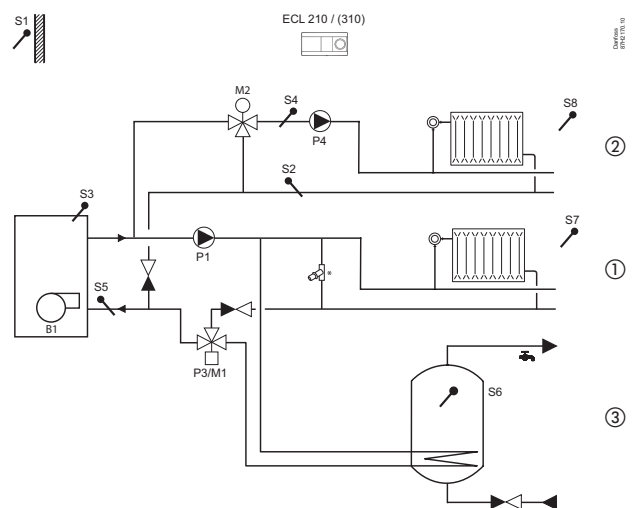
A275.2 (ex. d):



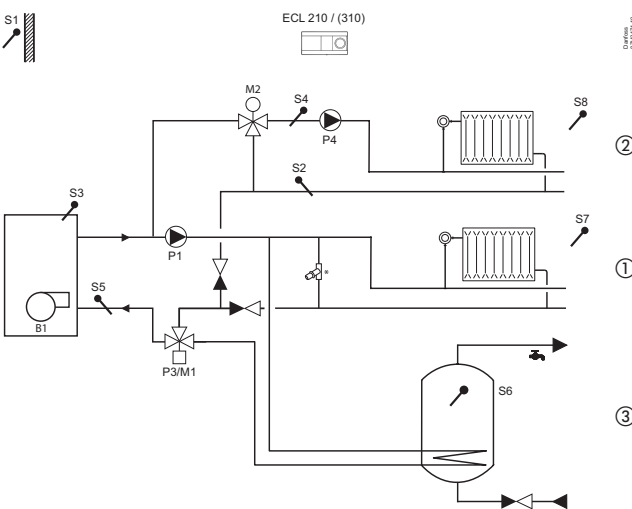
A275.3 (ex. a):



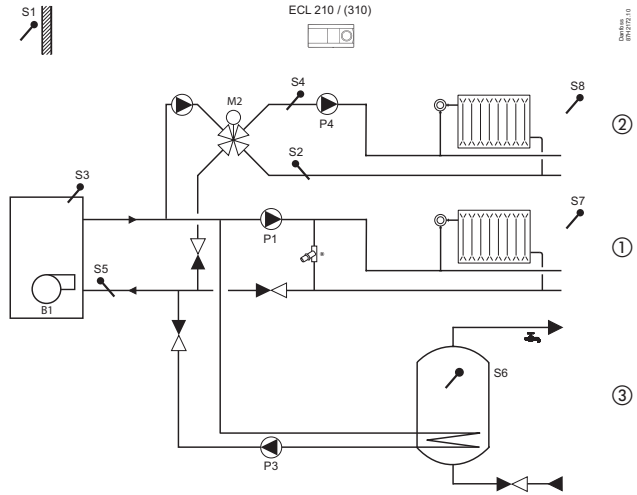
A275.3 (ex. b):



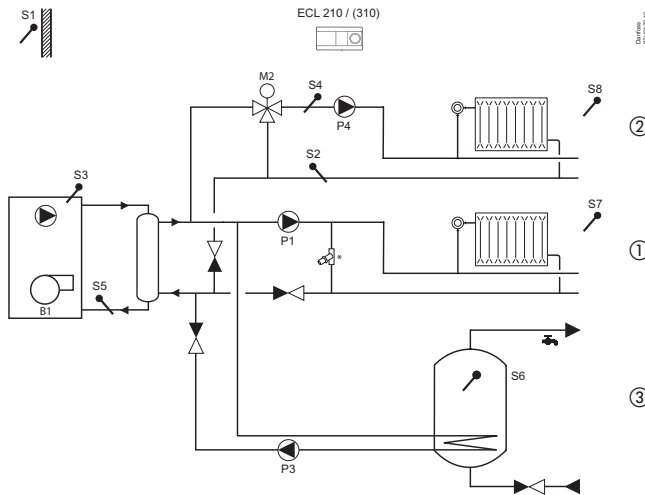
A275.3 (ex. c):



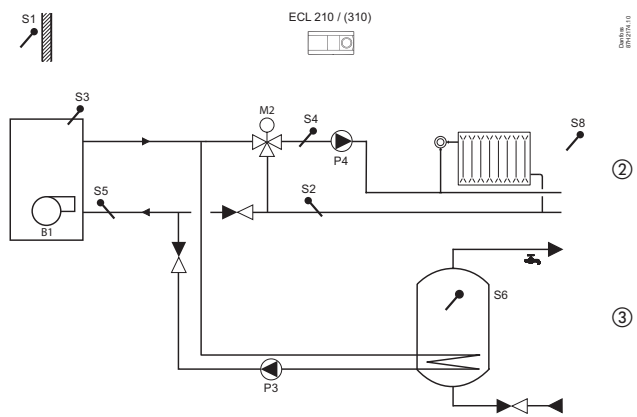
A275.3 (ex. d):



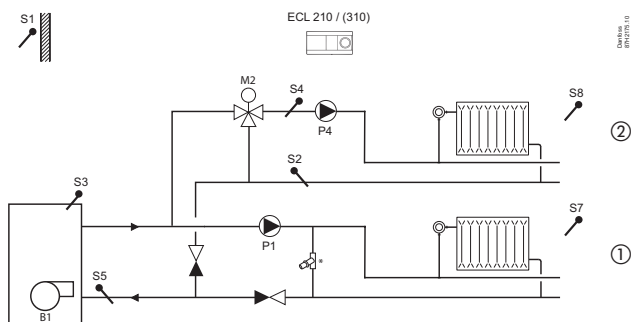
A275.3 (ex. e):



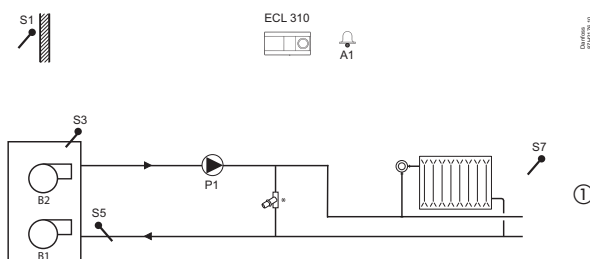
A275.3 (ex. f):



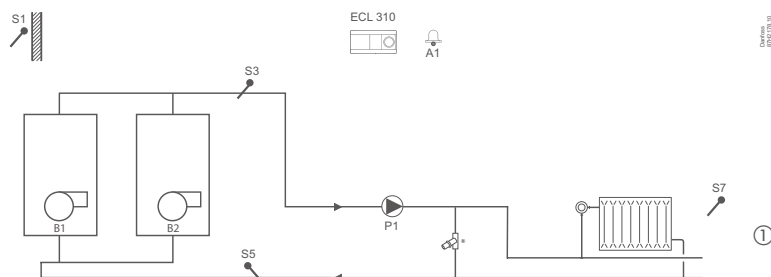
A275.3 (ex. g):



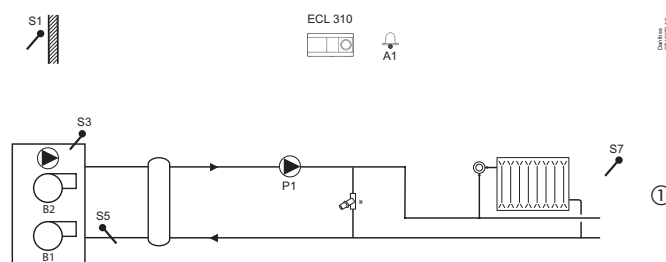
A375.1 (ex. a):



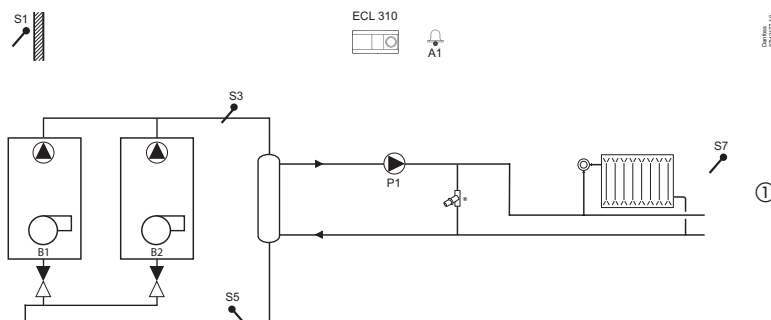
A375.1 (ex. b):



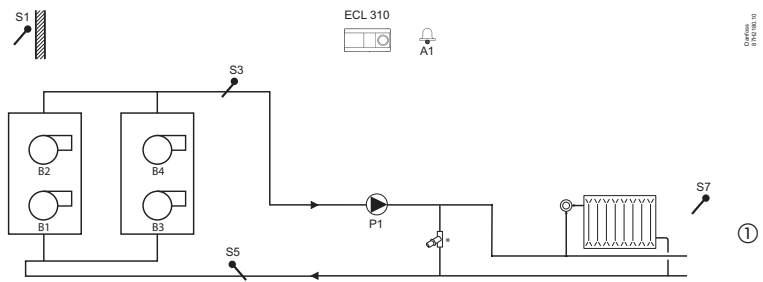
A375.1 (ex. c):



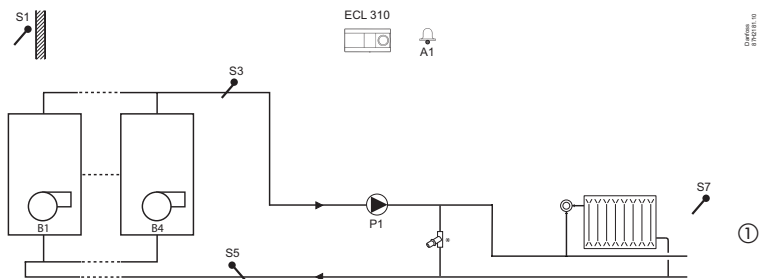
A375.1 (ex. d):



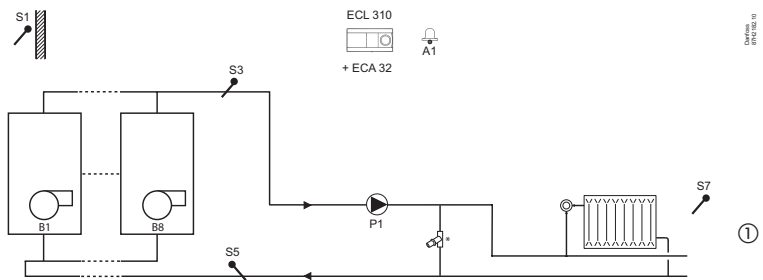
A375.1 (ex. e):



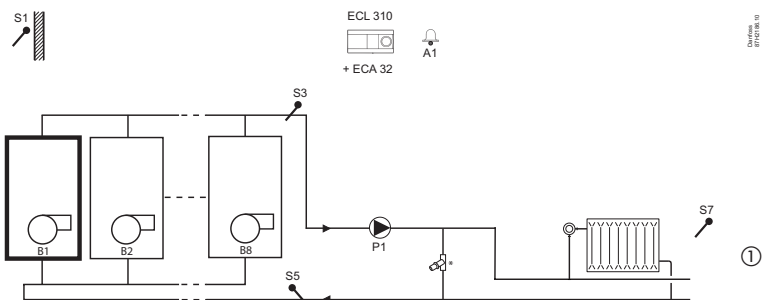
A375.1 (ex. f):



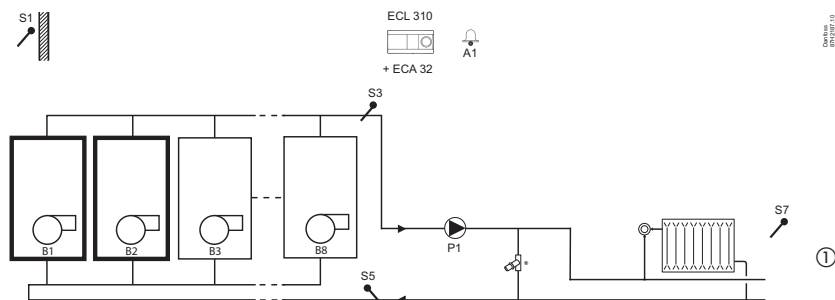
A375.1 (ex. g):



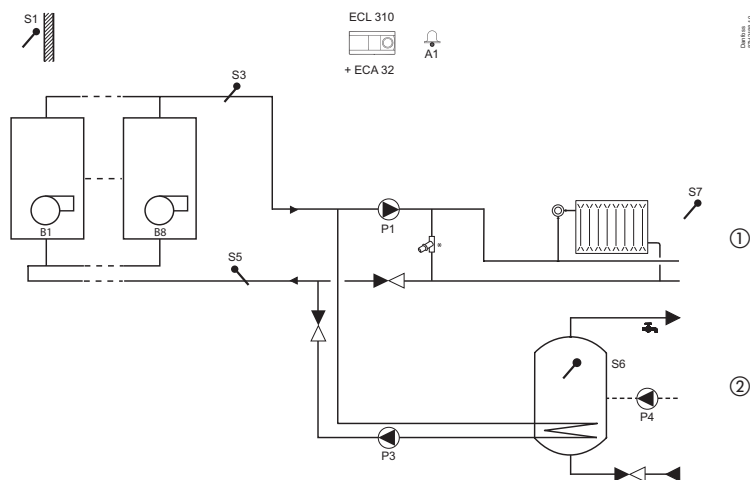
A375.1 (ex. h):



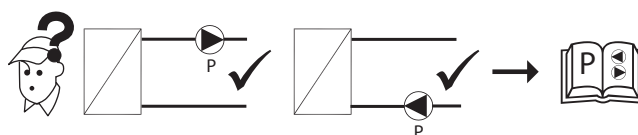
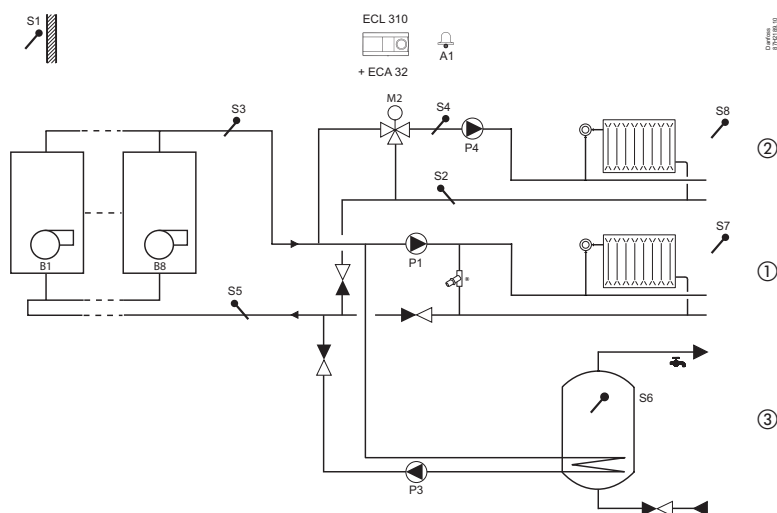
A375.1 (ex. i):



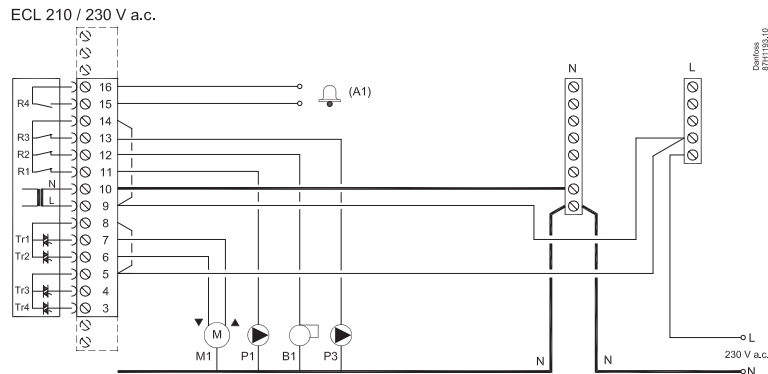
A375.2 (ex. a):



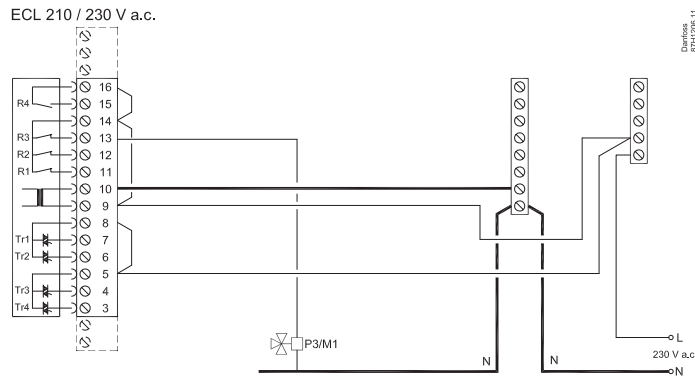
A375.3 (ex. a):



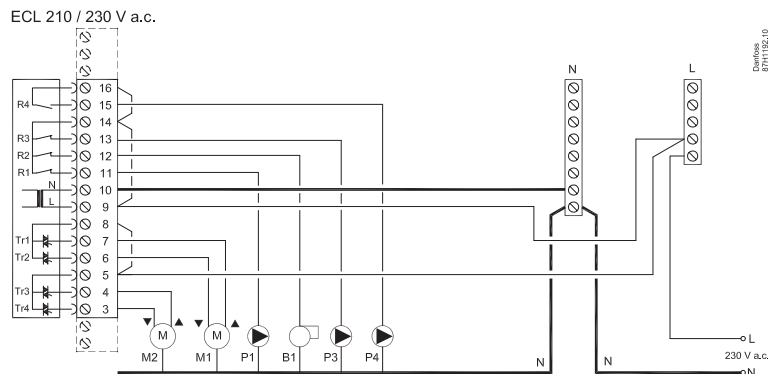
230 V a.c. - A275.1/A275.2



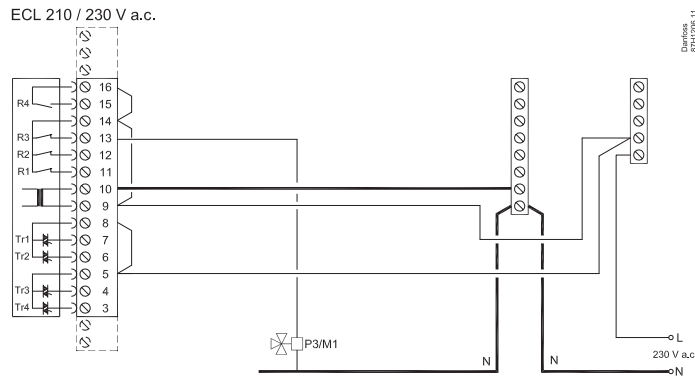
P3/M1 (A275.2)



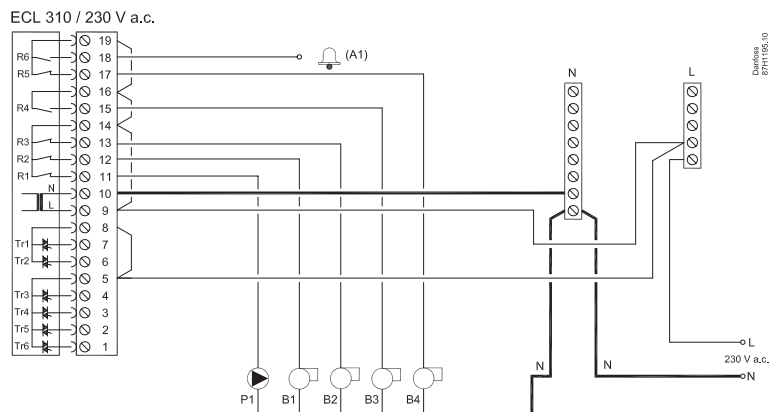
A275.3



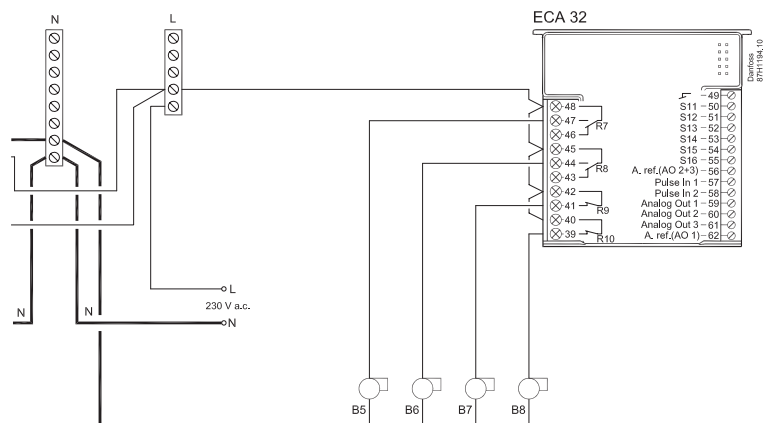
P3 / M1 (A275.3)



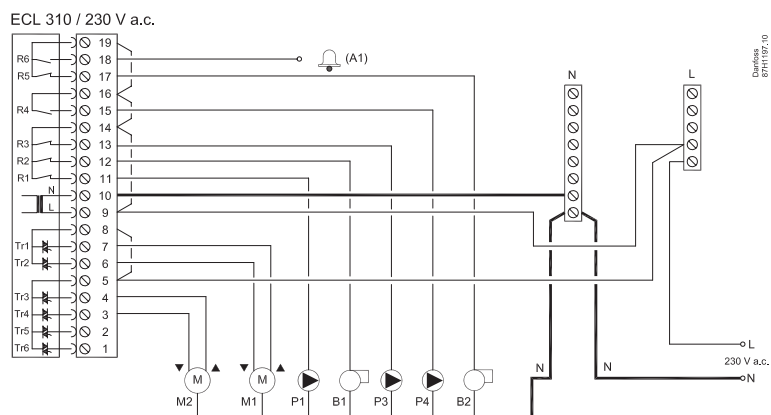
A375.1 (B1 ... B4)



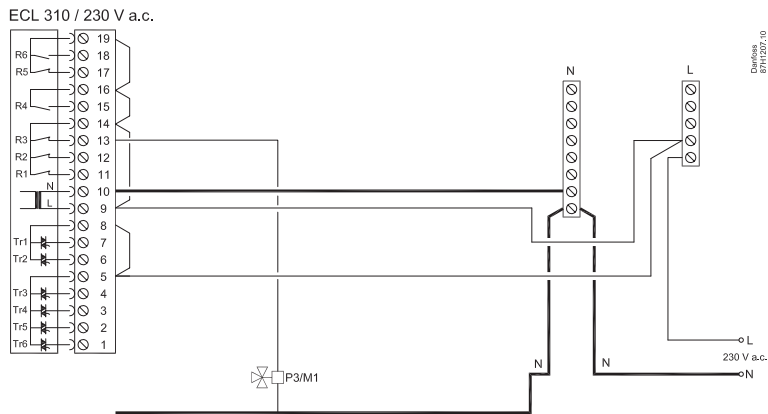
A375.1 (B5 ... B8)



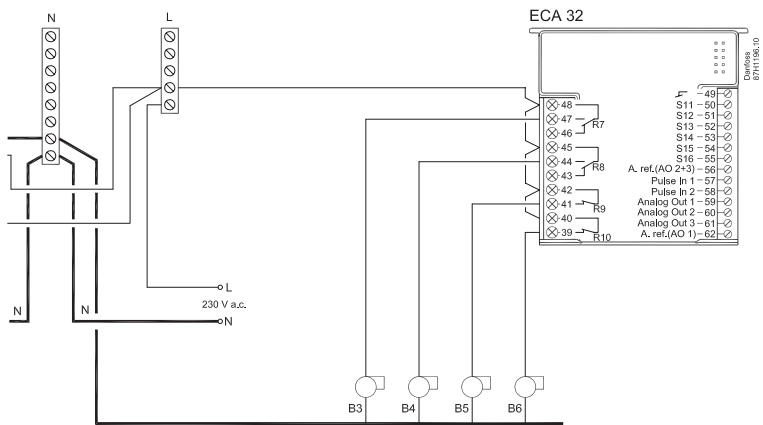
A375.2 / A375.3 (B1 ... B2)



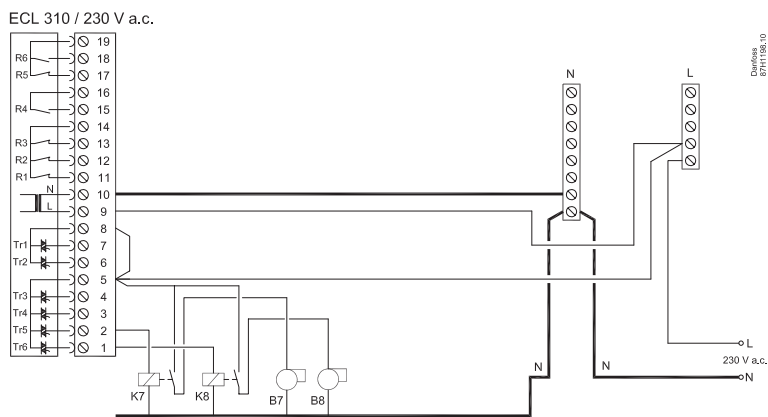
P3 / M1:



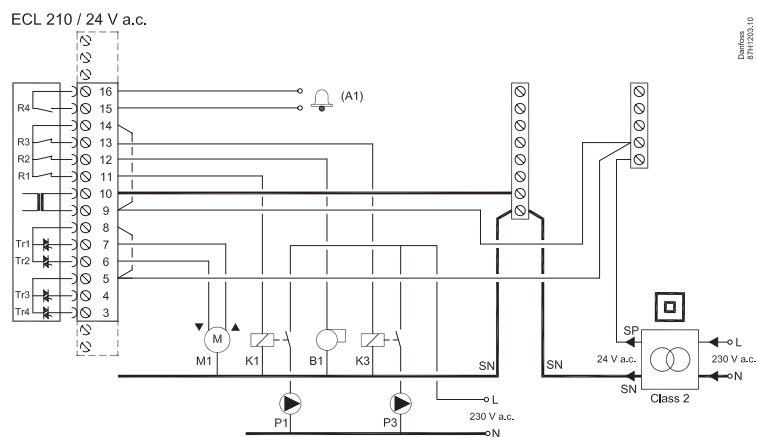
A375.2 / A375.3 (B3 ... B6)



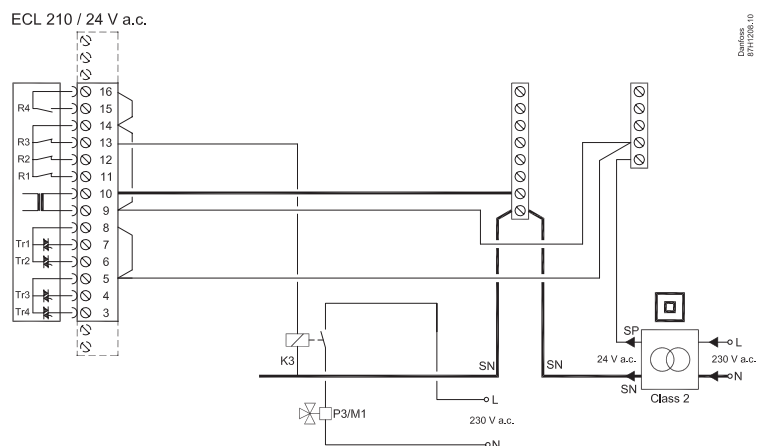
A375.2 / A375.3 (B7 ... B8)



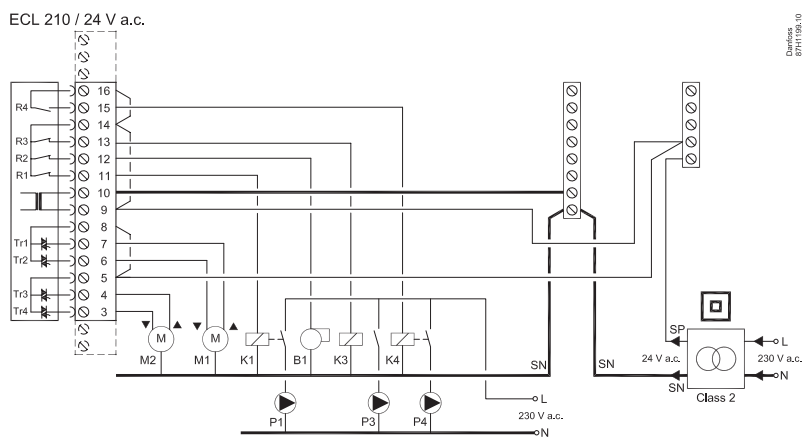
24 V a.c. - A275.1 / A275.2



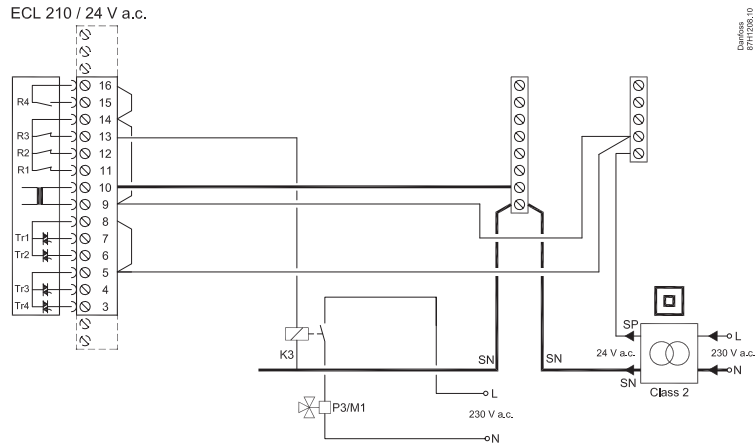
P3 / M1 (A275.2)



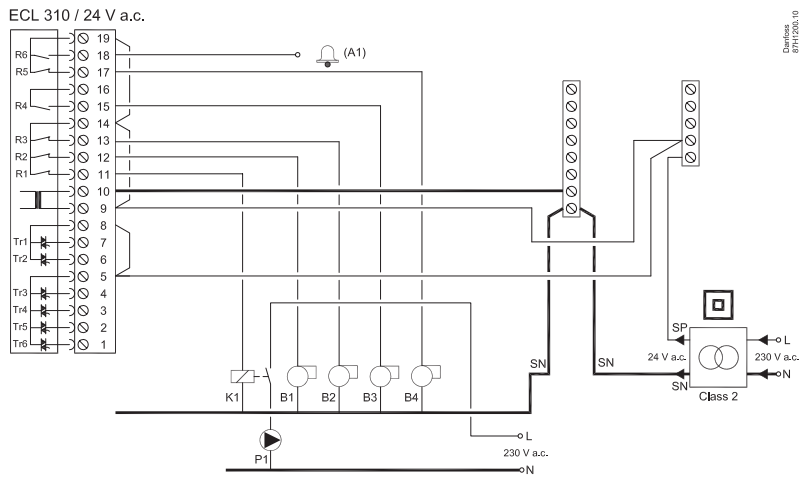
A275.3



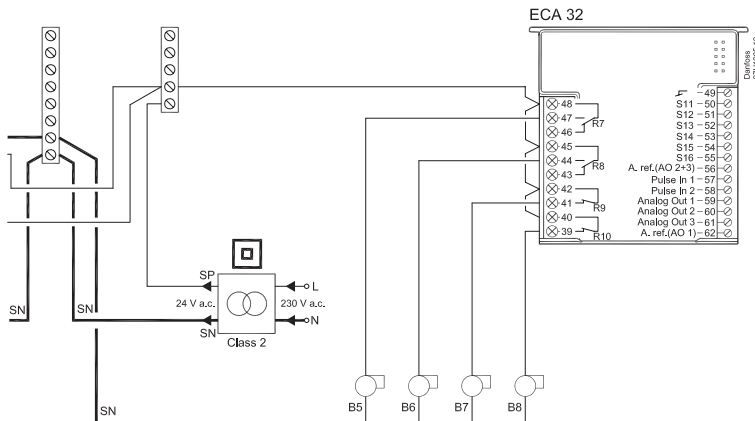
P3 / M1 (A275.3)



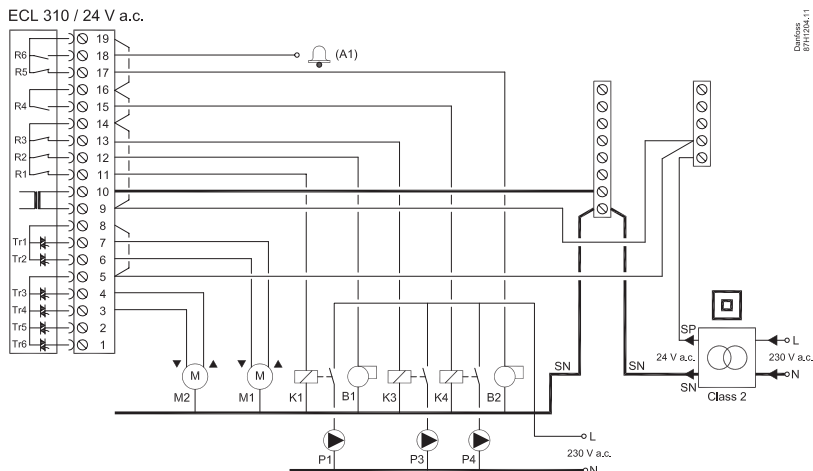
A375.1 (B1 ... B4)



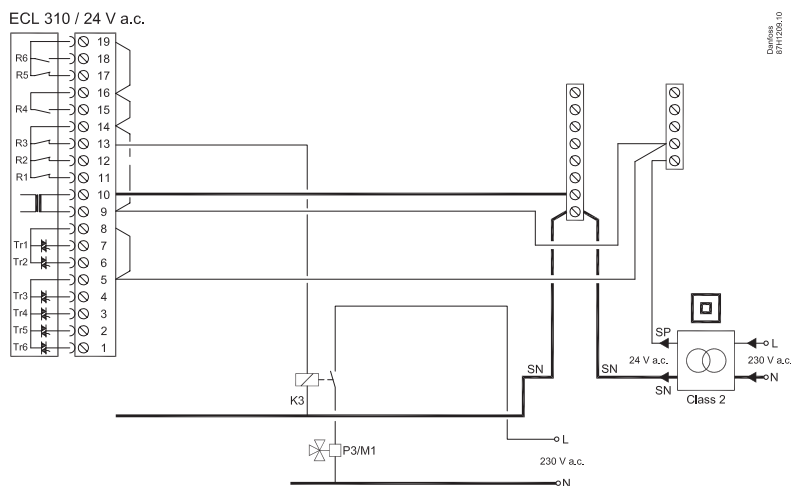
A375.1 (B5 ... B8)



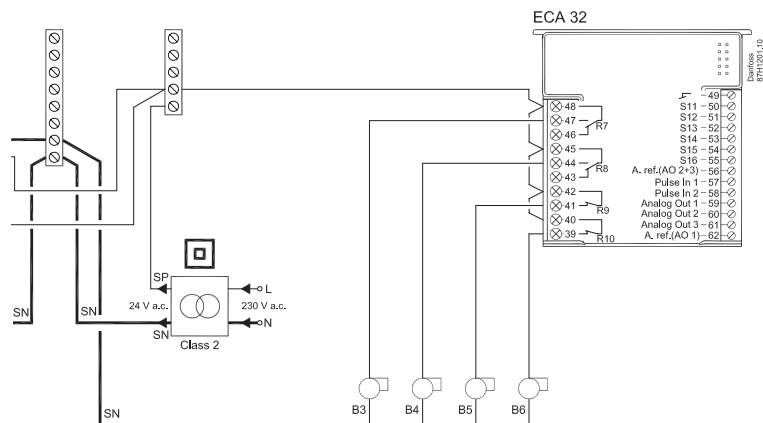
A375.2 / A375.3 (B1 ... B2)



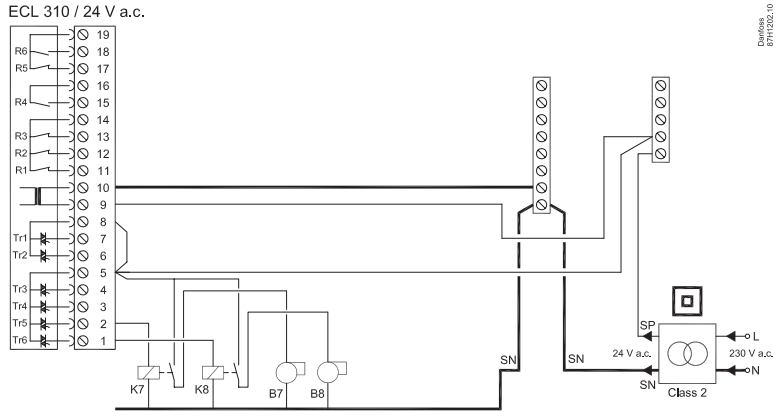
P3 / M1:



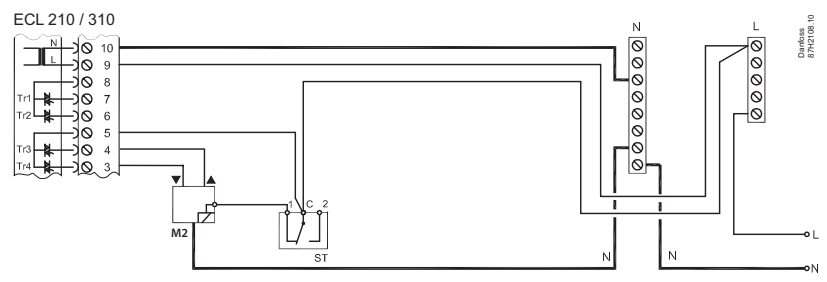
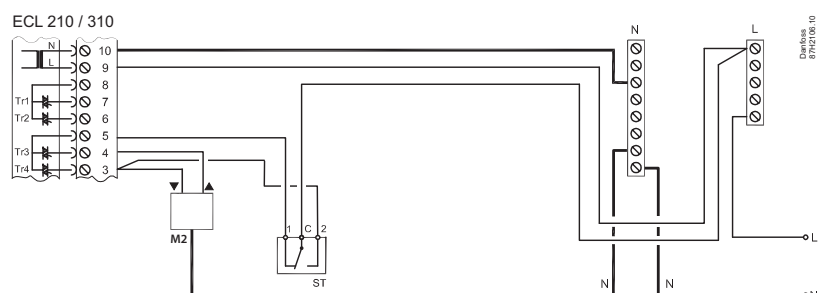
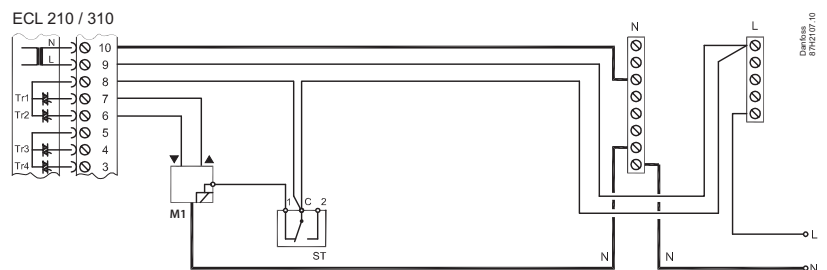
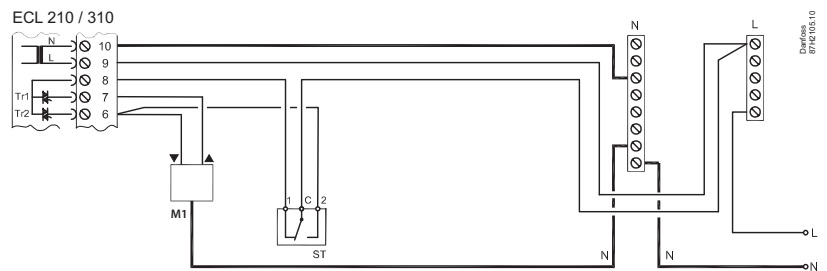
A375.2 / A375.3 (B3 ... B6)



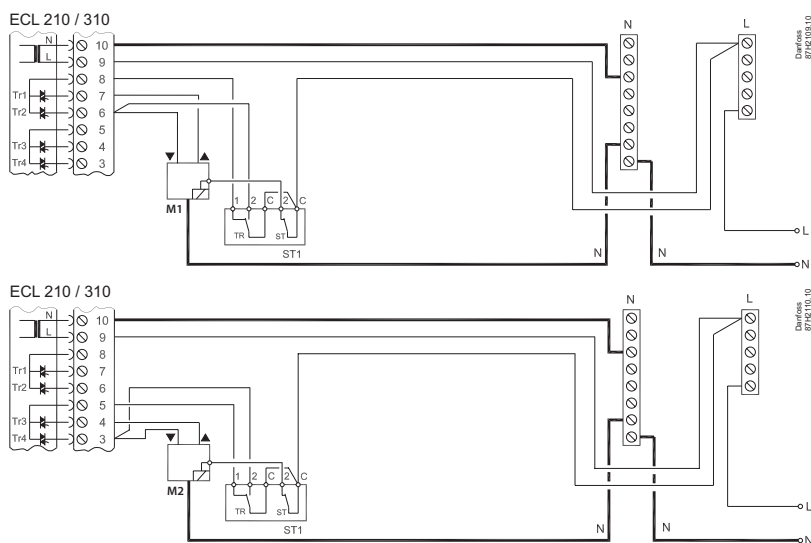
A375.2 / A375.3 (B7 ... B8)



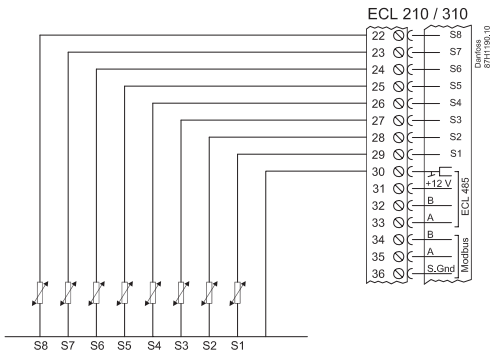
230 V a.c. / 24 V a.c. safety thermostat 1-step closing



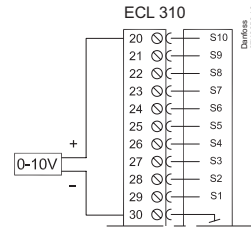
2-step closing



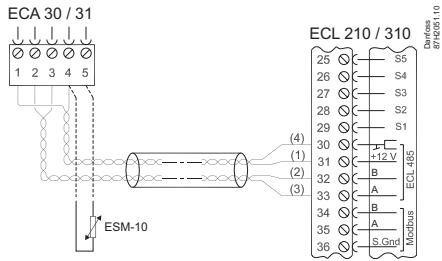
Pt 1000 (1000 Ω / 0 °C)



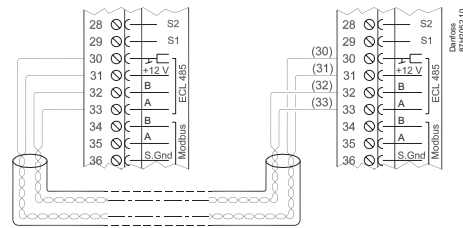
A375 (0-10 V)



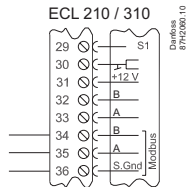
ECA 30 / 31



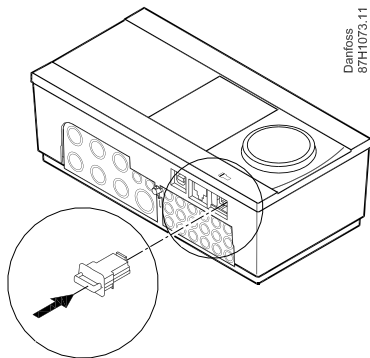
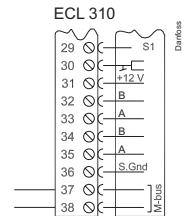
Master / slave



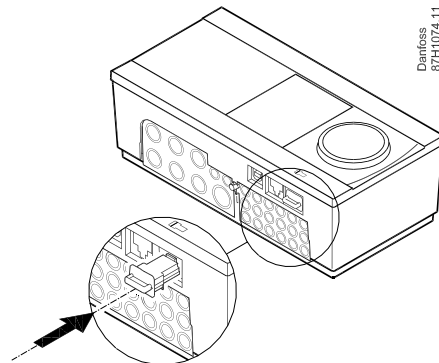
Modbus



M-bus



Danfoss
87H1073.11



Danfoss
87H1074.11



ECL Comfort 210/310, A275/A375: <http://den.danfoss.com/>