

## EASY REMOTE POWER MANAGEMENT FOR UPS

### The SNMP Card allows users to monitor and manage UPS to perform remote management

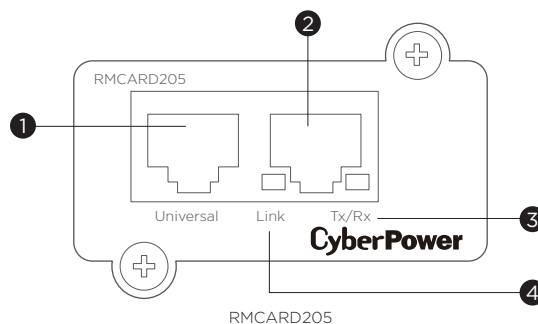
Ideal for UPS systems, the Remote Management Card Series provides remote and local management solution. It is an add-on component which can be inserted into a UPS expansion port, allowing users to easily monitor and control UPS status via web browsers, command line interface, and PowerPanel® Power Management Software. The cards are plug-and-play design, simple to install into compatible UPS. The RMCARDs' user-friendly interface supports multiple languages, easy firmware upgrade, and remote schedule/shutdown/start-up/reboot of UPS.

#### SERIES FEATURES

- Plug-and-play Installation
- User-friendly Web Interface
- Command Line Interface Supported
- Remotely Schedule Shutdown/ Start-up/ Reboot of the UPS
- Automatic Event Notifications
- Multi-language Supported
- User-upgradeable Firmware
- Syslog Supported
- Secure Authentication
- Compatible with ENVIROSENSOR

#### PRODUCT CALLOUTS

1. Universal (Serial) Port
2. Ethernet Port
3. Tx/Rx Indicator
4. Link Indicator



#### TECHNICAL SPECIFICATIONS

Model Name	RMCARD205
<b>Management &amp; Communications</b>	
LED Indicators	Tx/Rx, Link
Connectivity Port	RJ45, RJ45 (for Environmental Sensor)
Data Link Protocol	Ethernet 100Base-TX, Ethernet 10Base-T
Support Plug-and-Play Installation	Yes
Power Management Software	PowerPanel® Business (Recommended for small-medium scale management), PowerPanel® Enterprise (Recommended for large scale management)
User-upgradeable Firmware	Yes
Remote Management	Web Browser, Command Line Interface, NMS
Local Management	Web Interface, Command Line Interface
Event Notifications	E-mail, SNMP Traps, Syslog, SMS
Supported Protocols	IPv4/v6, SNMPv1/v3, HTTP/HTTPS, TCP/IP, UDP, DHCP, NTP, DNS, SMTP, SSH, SSL, TLS, Telnet, FTP, and Syslog
Authentication	RADIUS, LDAP, LDAPS, Windows AD
Multi-language Supported	Chinese (Traditional), Chinese (Simplified), English, French, German, Spanish
Environmental Sensor Supported	Yes
<b>Physical</b>	
Dimensions (WxHxD) (mm.)	54 x 36.1 x 76.5
Weight (g.)	38
<b>Certifications</b>	
Certifications*	CE, FCC Class A, EAC
Cisco Compatibility	Yes
RoHS	Yes

\*Certifications may vary according to different regions. Visit [www.cyberpower.com](http://www.cyberpower.com) for more information.  
#All specifications are subject to change without notice.