



CONDENSERLESS WATER CHILLER
FOR INDOOR INSTALLATION WITH
REMOTE CONDENSER
IT CAN BE COUPLED WITH REMOTE
CONDENSER CLIVET SERIES CEM

MDE-3

2.160-2.180-2.200-2.220-2.250-

2.280-2.300-2.320-2.340-2.360-2.390-2.420-2.450-

2.480-3.480-3.500-3.520-3.540-3.570-3.600-3.630

RECEPTION / POSITIONING

CONTENTS:

INSPECTION UPON RECEIPT
HANDLING
FUNCTIONAL CLEARANCES

INSTALLING ANTIVIBRATION MOUNTS
REMOVING THE PACKING

INSPECTION UPON RECEIPT

The units are delivered in special protective packing. When it arrives check the unit has not been damaged during transport and that it has been supplied complete with all the parts specified in the order. **If there is any visible damage make a note of it on the transport document, accompanied by the words: "ACCEPTED WITH RESERVATIONS DUE TO OBVIOUS DAMAGE TO PACKING"** since the delivery free ex factory includes cover for damage to be borne by the insurers in compliance with Italian law N° 450 of 22.08.85 "limite di risarcibilità".

IMPORTANT

EVERY OPERATION DESCRIBED BELOW MUST BE CARRIED OUT IN COMPLIANCE WITH THE SAFETY REGULATIONS IN FORCE CONCERNING BOTH THE EQUIPMENT USED AND THE OPERATING PROCEDURES ADOPTED.

ATTENTION

ALWAYS MAKE SURE THAT THE LIFTING CAPACITY OF THE EQUIPMENT USED IS SUITABLE FOR THE WEIGHT OF THE UNIT BEFORE CARRYING OUT ANY HANDLING OPERATIONS

Sizes		2.160	2.180	2.200	2.220	2.250	2.280	2.300	2.320	2.340	2.360	2.390	2.420	2.450	2.480
ST acoustic configuration															
Shipping weight	kg	2191	2288	2669	3000	3255	3245	3894	4304	4424	4434	4675	4736	5097	5117
Operating weight	kg	2353	2472	2891	3222	3550	3628	4356	4766	4847	4857	5081	5142	5572	5592
Acoustic configuration: Extremely low noise (EN)															
Shipping weight	kg	2418	2495	2895	3250	3506	3496	4194	4604	4724	4734	4975	5036	5398	5418
Operating weight	kg	2580	2679	3117	3472	3801	3879	4656	5066	5147	5157	5381	5442	5873	5893

Sizes		3.480	3.500	3.520	3.540	3.570	3.600	3.630
ST acoustic configuration								
Shipping weight	kg	7238	7274	7573	7582	7662	7742	7784
Operating weight	kg	7721	7757	8138	8147	8227	8307	8349
Acoustic configuration: Extremely low noise (EN)								
Shipping weight	kg	7617	7653	7952	7961	8041	8121	8163
Operating weight	kg	8100	8136	8517	8526	8606	8686	8728

WARNING

FOLLOWING THE ADVICE ON THE OUTSIDE OF THE PACKING WILL ENSURE THE UNIT REMAINS IN PERFECT CONDITION AND OPERATES CORRECTLY, TO THE BENEFIT OF THE END USER. THIS ADVICE IS AS FOLLOWS :

- HANDLE WITH CARE
- KEEP DRY
- UNDER NO CIRCUMSTANCES EVER PLACE OTHER OBJECTS ON TOP OF THE UNIT.
- DO NOT LEAVE THE UNITS WITH HEAT-SHRINKING PROTECTION UNDER THE SUN. AS A MATTER OF FACT, THE PRESSURE OF THE CIRCUITS CAN REACH SUCH A VALUE TO TRIP THE SAFETY VALVES.

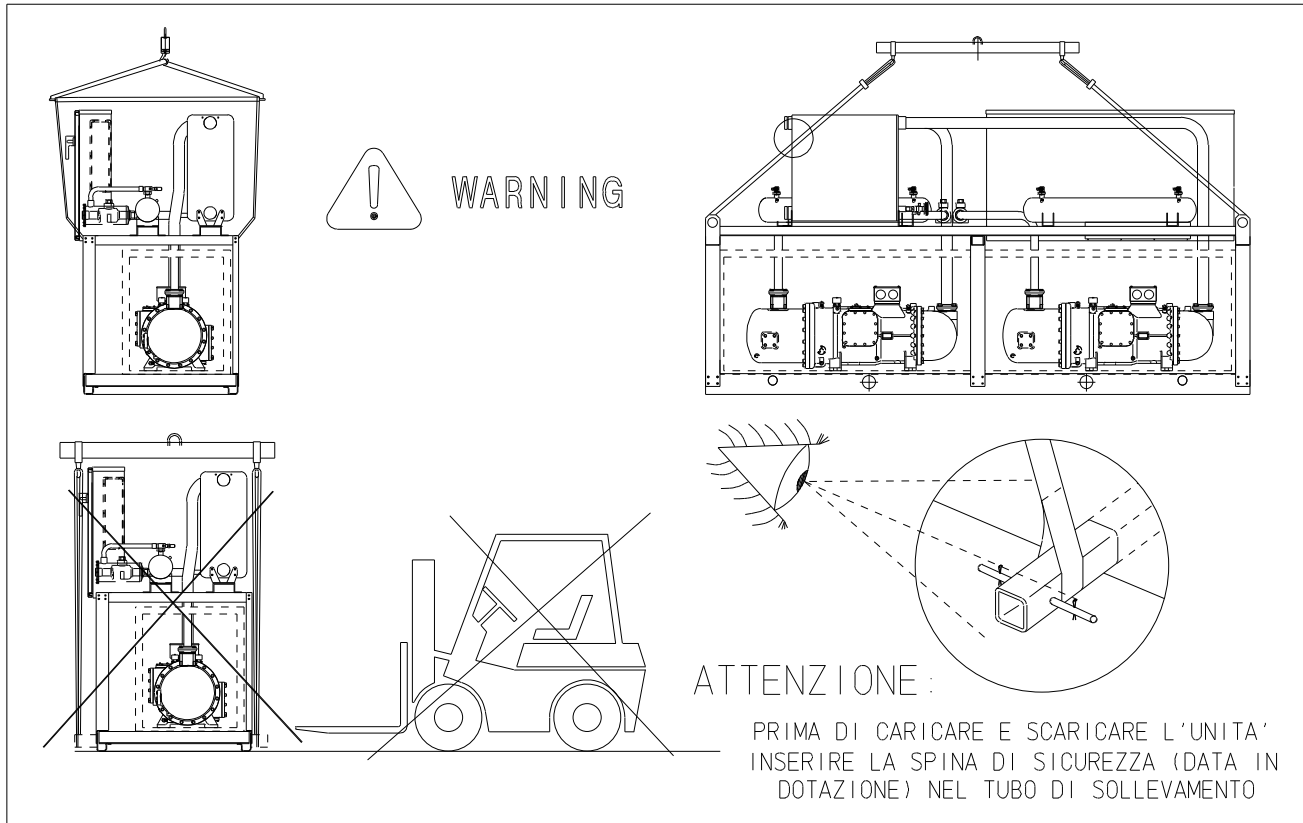


R3K0GB-1

HANDLING

HOISTING using a CRANE or SIMILAR

- Slide the provided lifting pipes into the holes in the base of the unit.
- Position the ends of the pipes that protrude from the unit so that you can insert the provided shear pins into the proper holes.
- Fit the lifting belts over the pipes between the safety rods and the base of the unit (see drawing).
- Gradually bring the lifting belts under tension, making sure they are positioned correctly. Make sure the unit is always in steady equilibrium.
- Start hoisting the unit.



FUNCTIONAL CLEARANCES

Correct positioning of the units is essential for optimum operation. When installing the units always observe the necessary operational and maintenance clearances.

IMPORTANT

WHILE PLACING THE UNIT, PLEASE MAKE SURE THAT THE FUNCTIONAL CLEARANCES ALLOW THE PERFORMANCE OF THE MAINTENANCE OPERATIONS. THIS IS REQUIRED FOR OPTIMUM UNIT OPERATION **AND PARTICULARLY FOR THE SAFETY OF AUTHORISED.**

INSTALLING ANTIVIBRATION MOUNTS

Check the floor leveling and sturdiness before the placement of the unit.

In order to avoid the transmission of vibration from the operating unit to its carrying structure, the use of antivibration materials to put under the supports of the unit is recommended. It is suggested to put a rubber layer between the points of support and the base of the unit, at least. Rubber antivibration mounts are supplied on demand and to be positioned by the installer under each point of support of the unit.

It is available to install proper antivibration on the water pipes in order to avoid the deformation of the pipes themselves.

Exemple of choice of mounts:

For size 2.160 ST order PE960005 antivibration mount kit.

Support: W1 with antivibration mount C6100028
W2 with antivibration mount C6100028

W3 with antivibration mount C6100028
W4 with antivibration mount C6100028

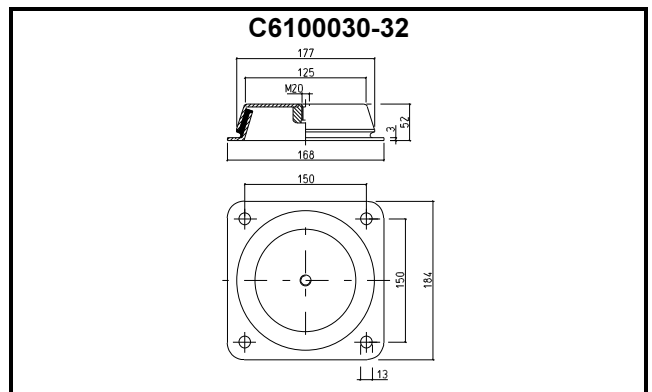
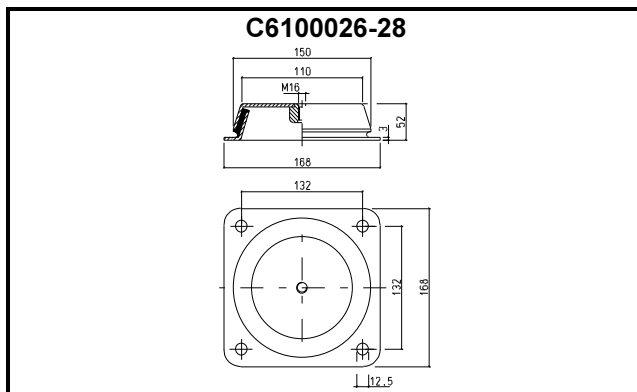
Table point of support / antivibration mount

Acoustic configuration: Standard (ST)

Size	Code	W1	W2	W3	W4
2.160	PE960005	C6100028	C6100028	C6100028	C6100028
2.180	PE960005	C6100028	C6100028	C6100028	C6100028
2.200	PE960005	C6100028	C6100028	C6100028	C6100028
2.220	PE960005	C6100028	C6100028	C6100028	C6100028
2.250	PE960005	C6100028	C6100028	C6100028	C6100028
2.280	PE980007	C6100032	C6100028	C6100032	C6100028
2.300	PE960007	C6100032	C6100032	C6100032	C6100032
2.320	PE960007	C6100032	C6100032	C6100032	C6100032
2.340	PE960007	C6100032	C6100032	C6100032	C6100032
2.360	PE960006	C6100030	C6100030	C6100030	C6100030
2.390	PE960006	C6100030	C6100030	C6100030	C6100030
2.420	PE960006	C6100030	C6100030	C6100030	C6100030
2.450	PE960006	C6100030	C6100030	C6100030	C6100030
2.480	PE960006	C6100030	C6100030	C6100030	C6100030
3.480	PE960006	C6100030	C6100030	C6100030	C6100030
3.500	PE960006	C6100030	C6100030	C6100030	C6100030
3.520	PE960006	C6100030	C6100030	C6100030	C6100030
3.540	PE960006	C6100030	C6100030	C6100030	C6100030
3.570	PE960006	C6100030	C6100030	C6100030	C6100030
3.600	PE960006	C6100030	C6100030	C6100030	C6100030
3.630	PE960006	C6100030	C6100030	C6100030	C6100030

Acoustic configuration: Extremely low noise (EN)

Size	Code	W1	W2	W3	W4
2.160	PE960005	C6100028	C6100028	C6100028	C6100028
2.180	PE960005	C6100028	C6100028	C6100028	C6100028
2.200	PE960005	C6100028	C6100028	C6100028	C6100028
2.220	PE960005	C6100028	C6100028	C6100028	C6100028
2.250	PE980007	C6100032	C6100028	C6100032	C6100028
2.280	PE960007	C6100032	C6100032	C6100032	C6100032
2.300	PE960007	C6100032	C6100032	C6100032	C6100032
2.320	PE960009	C6100030	C6100032	C6100030	C6100032
2.340	PE960006	C6100030	C6100030	C6100030	C6100030
2.360	PE960006	C6100030	C6100030	C6100030	C6100030
2.390	PE960006	C6100030	C6100030	C6100030	C6100030
2.420	PE960006	C6100030	C6100030	C6100030	C6100030
2.450	PE960006	C6100030	C6100030	C6100030	C6100030
2.480	PE960006	C6100030	C6100030	C6100030	C6100030
3.480	PE960006	C6100030	C6100030	C6100030	C6100030
3.500	PE960006	C6100030	C6100030	C6100030	C6100030
3.520	PE960006	C6100030	C6100030	C6100030	C6100030
3.540	PE960006	C6100030	C6100030	C6100030	C6100030
3.570	PE960006	C6100030	C6100030	C6100030	C6100030
3.600	PE960006	C6100030	C6100030	C6100030	C6100030
3.630	PE960006	C6100030	C6100030	C6100030	C6100030



REMOVING THE PACKING

Make sure you don't damage the unit while removing the heat-shrinking PVC packaging.

Dispose of the packing so that it is taken to specialist collection or recycling centres (respect the valid regulations).

CLIVET S.p.A. - Z. I. 32030 VILLAPAIERA - FELTRE (BL) Italy - Tel (0439) 3131 - Fax (0439) 313300 - sito web <http://www.clivet.com>

The data contained in this bulletin is not binding and may be changed by the manufacturer without prior notice. All reproduction, even partial, is prohibited. © Copyright - CLIVET S.p.A. - Feltre (BL) - Italy