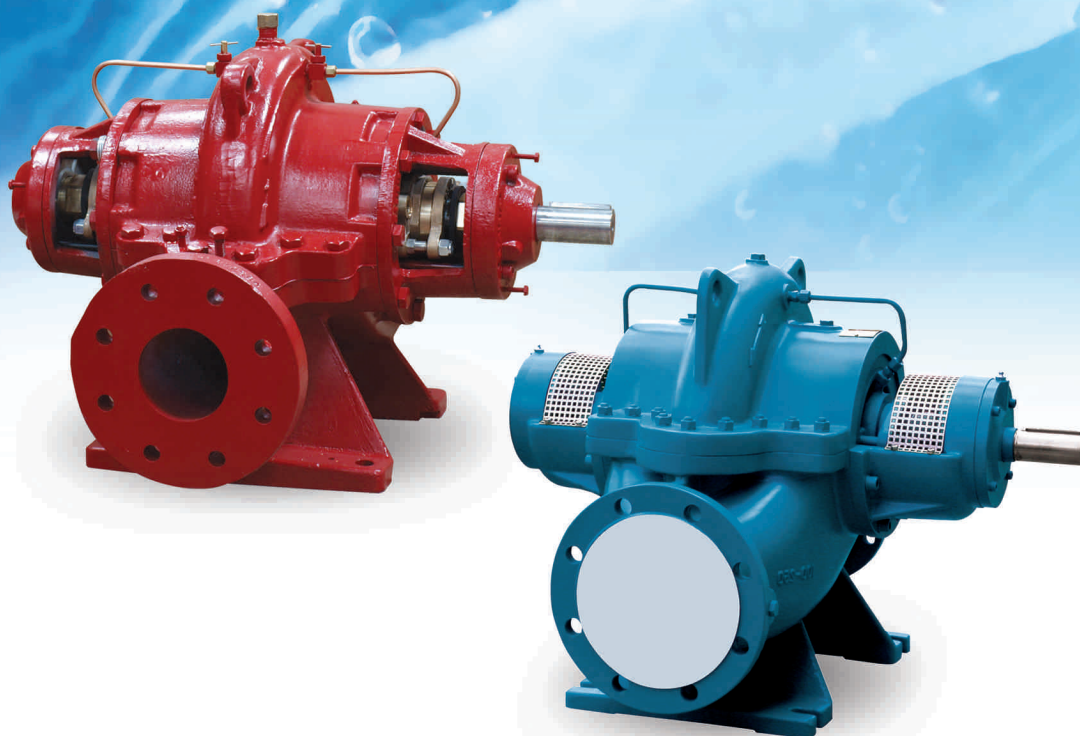


SCP

**Horizontal Split Case
Centrifugal Pumps**

n = **960** 1/min
n = **1450** 1/min
n = **2900** 1/min



 **calpeda**[®]

CE



Construction

Single-stage horizontal centrifugal pumps, with suction and discharge flanges on the same axis.

Split case design allows disassembly of pump hydraulic parts without disassembling suction and discharge flanges.

Double suction impeller design increases suction performance and balances axial forces on impeller and shaft.

Rated speed of rotation (50 Hz) : **SCP** = 2900 1/min.
SCP4 = 1450 1/min.
SCP6 = 960 1/min.

Connections: PN 16 / PN 25 flanges EN 1092-2.

Max.working pressure 16 (25) bar

Shaft sealing

- Standardized mechanical seal in accordance with ISO 3069.
- Stuffing box seal or different mechanical seals (on request).

Applications

- For clean liquids, without abrasives, which are non-aggressive for the pump materials (contents of solids up to 0.2%).
- For water supply.
- For heating, air conditioning, cooling and circulation plants.
- For civil and industrial applications and for agriculture.
- For fire fighting applications.
- For irrigation.

Operating conditions

Liquid temperature from -10°C to +120°C. (standard mechanical seal)

Ambient temperature up to 40°C.

Total suction lift up to 7 m.

Maximum permissible working pressure up to 16/25 bar.

Pump-Motor unit

SCP, SCP4, SCP6 pump connected to a standard electric motor in B3 construction form (IEC 72), IP 54 protection, three-phase 400 V, 50 Hz by means of a baseplate, driven by a flexible coupling and with coupling protection.

Special features on request

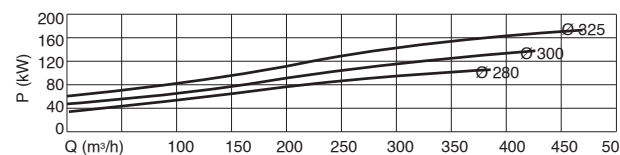
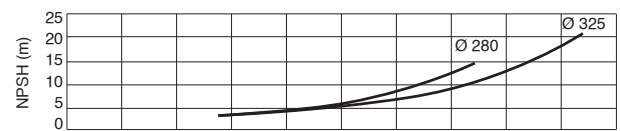
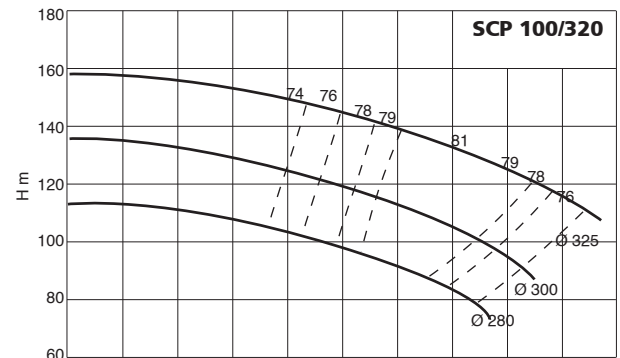
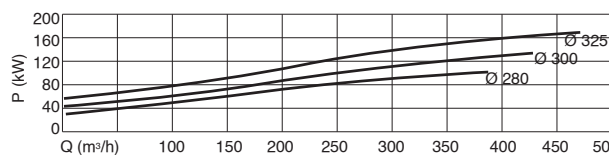
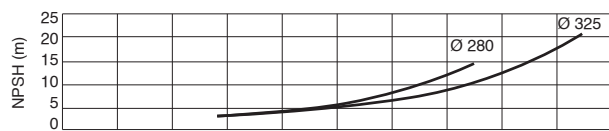
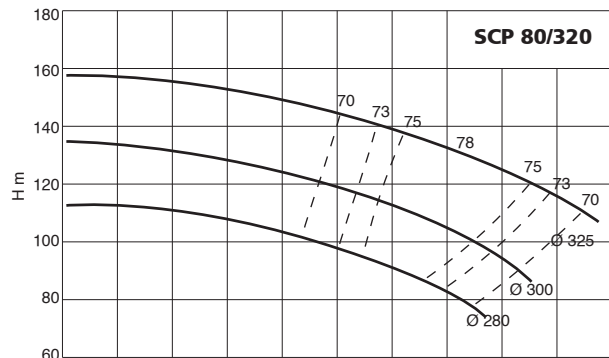
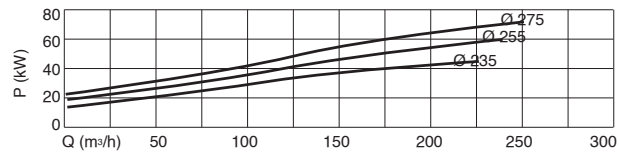
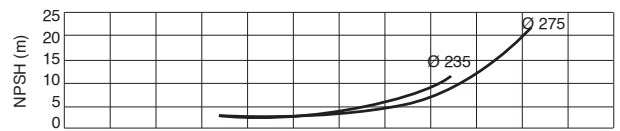
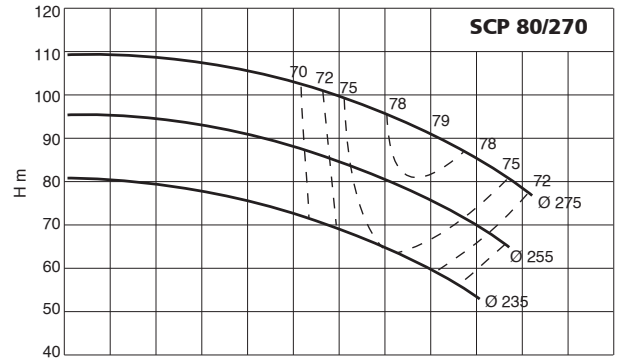
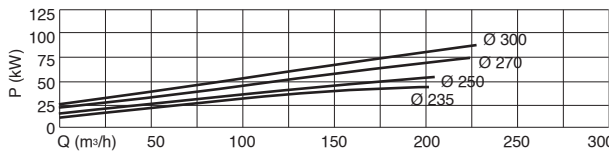
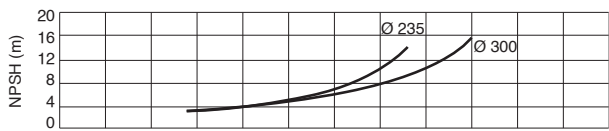
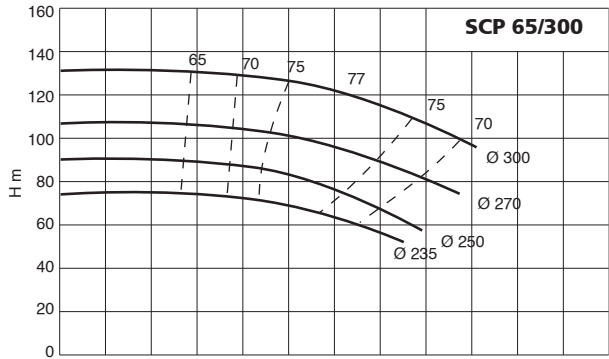
- Special mechanical seal.
- Different construction materials for specific applications.
- Higher or lower liquid or ambient temperatures.
- Other motor protection.
- Explosion proof motor.
- Motor for other voltage.
- Frequency 60 Hz (as per 60 Hz data sheet).

Materials

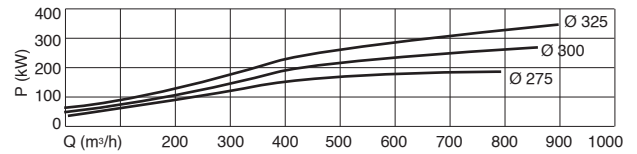
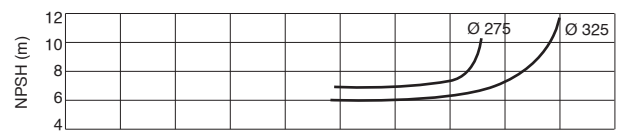
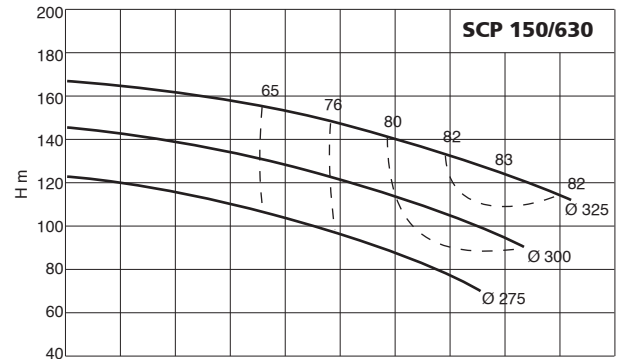
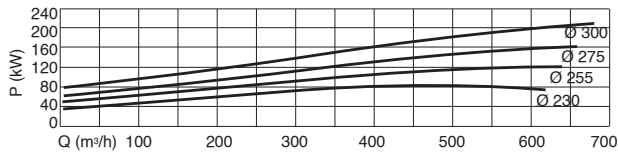
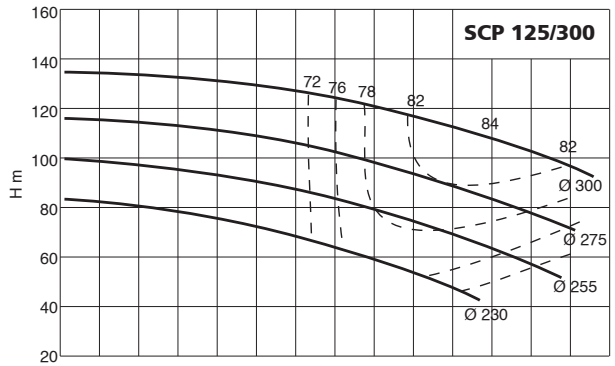
Pump casing	GG 25 (Optional GGG 40 / AISI 304 / AISI 316 / Bronze)
Sealing box	
Bearing housing	
Impeller	
Pump shaft	AISI 420 (Optional AISI 304 / AISI 316)
Wear rings	Bronze (Optional AISI 304 / AISI 316)
Mechanical seal	Silicon Carbide / Carbon Graphite*
Baseplate	DIN 17100 - St 37, epoxy coated
Coupling guard	EN 294 / DIN 31001, epoxy coated

* Different mechanical seals or soft gland packings are available upon request.

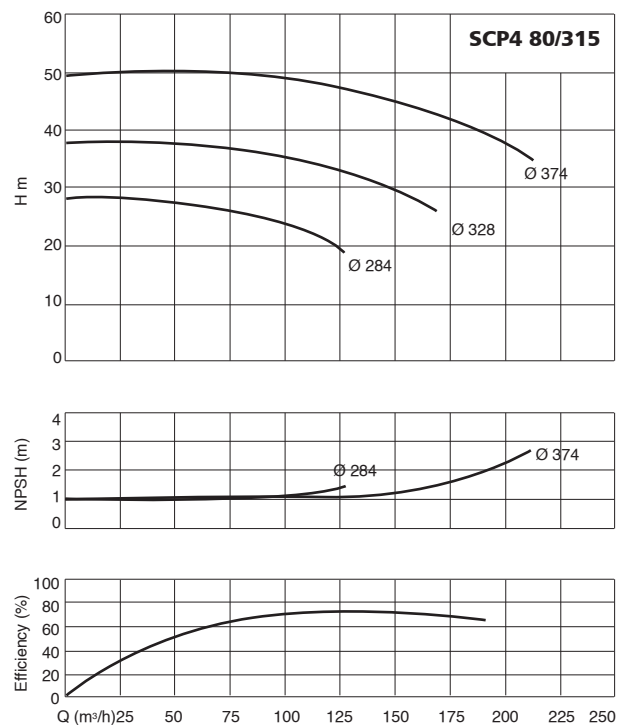
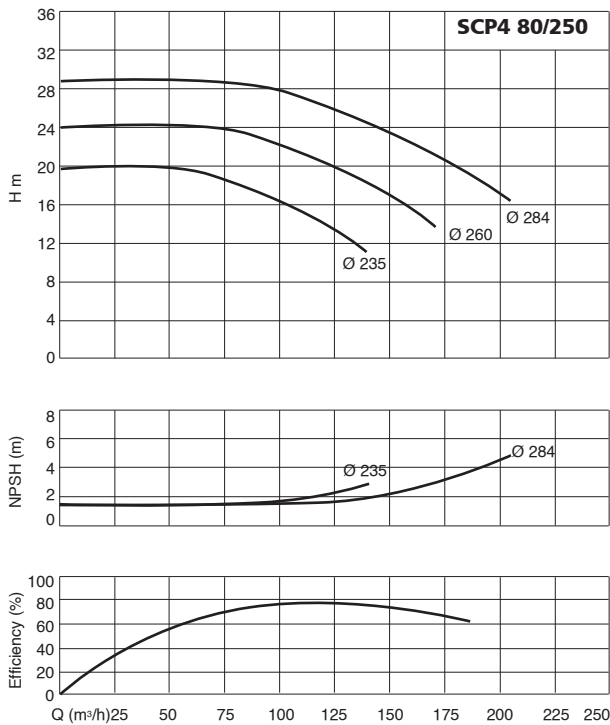
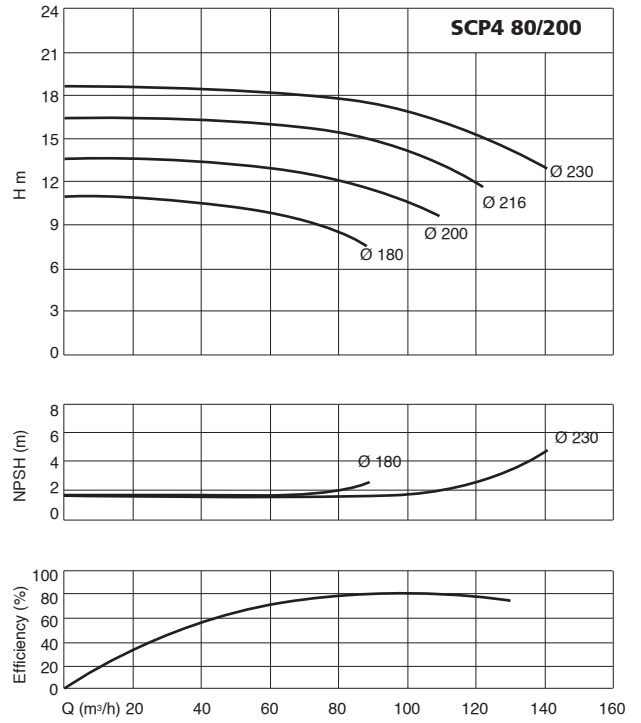
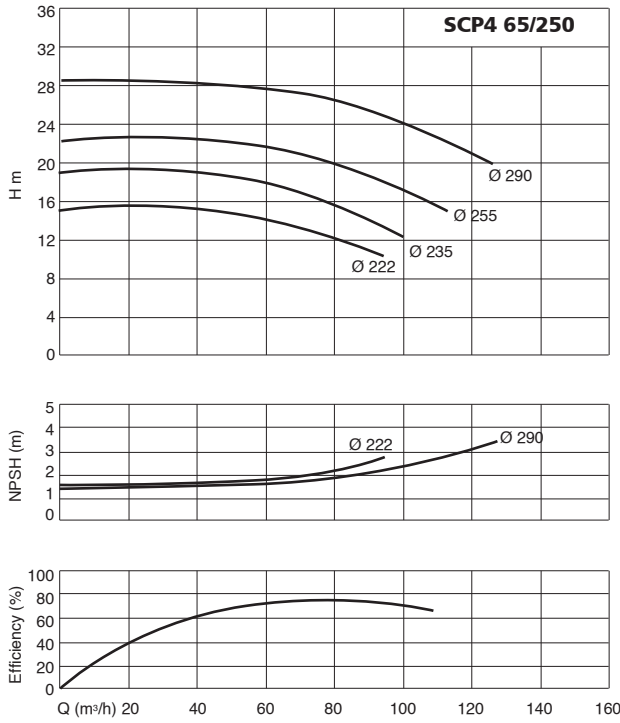
Characteristic curves n = 2900 1/min



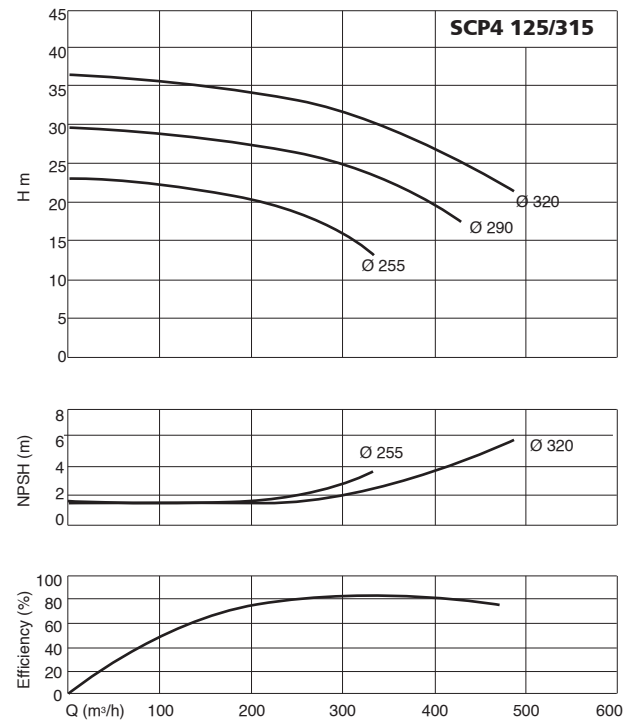
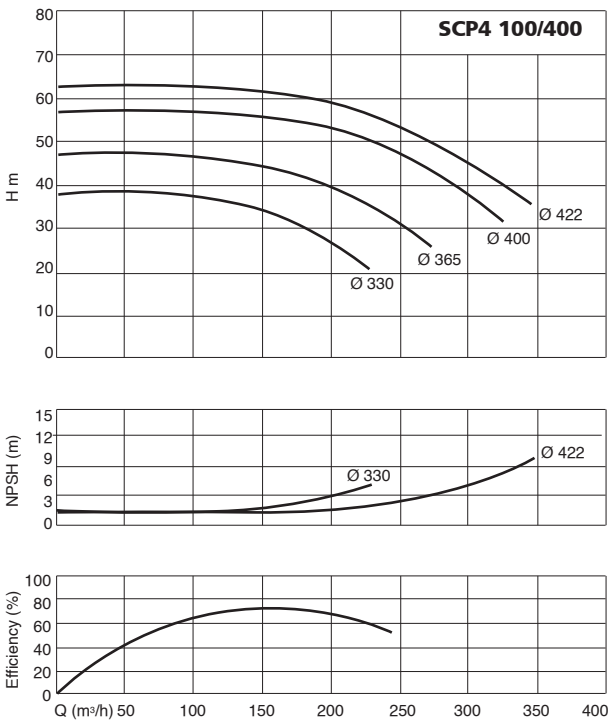
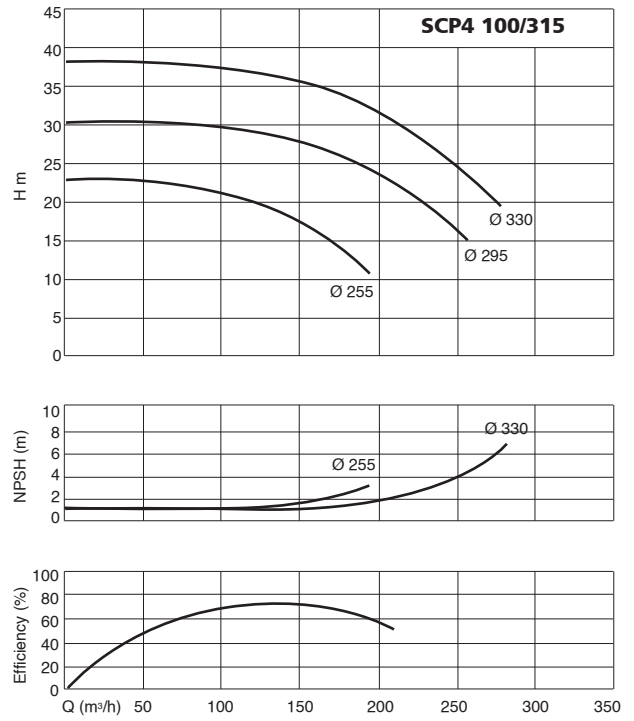
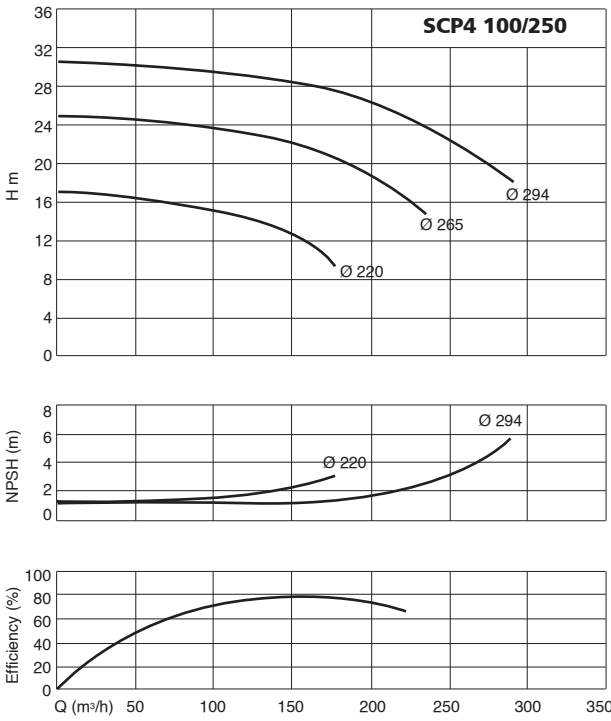
Characteristic curves n = 2900 1/min



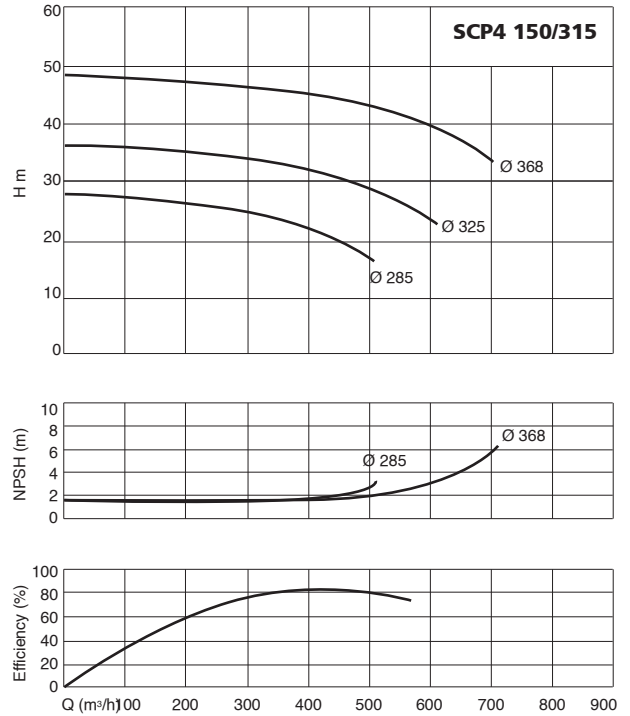
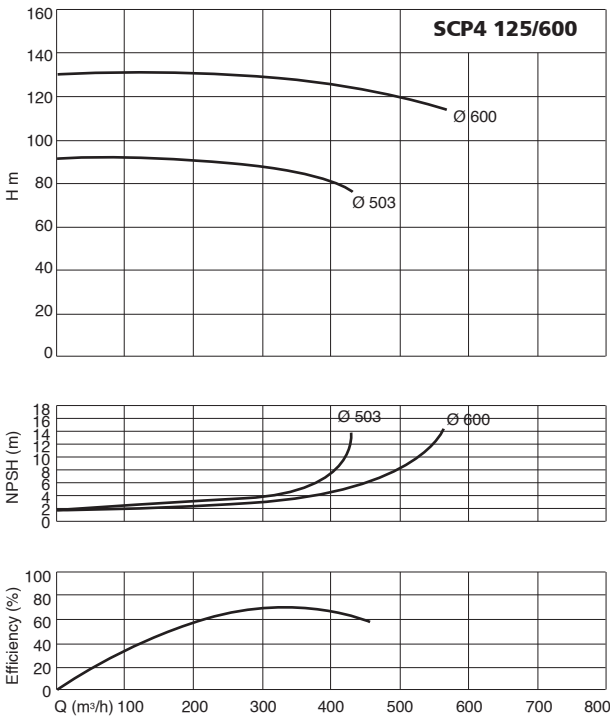
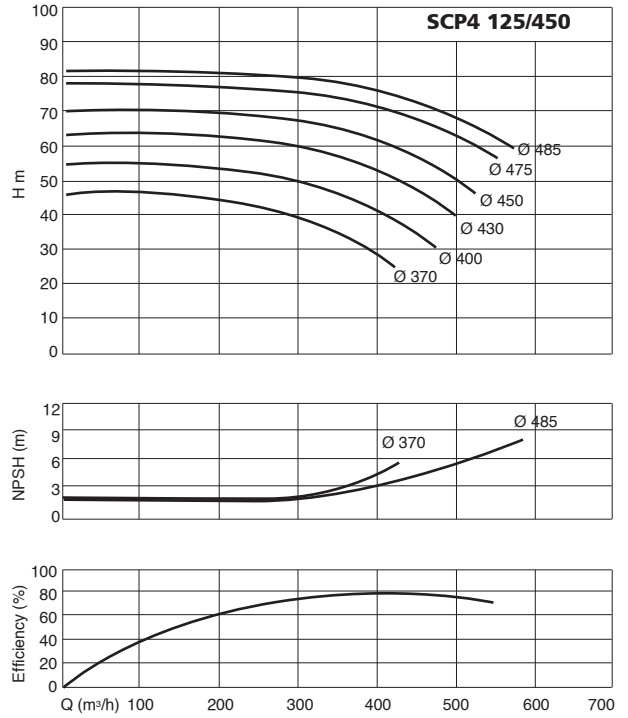
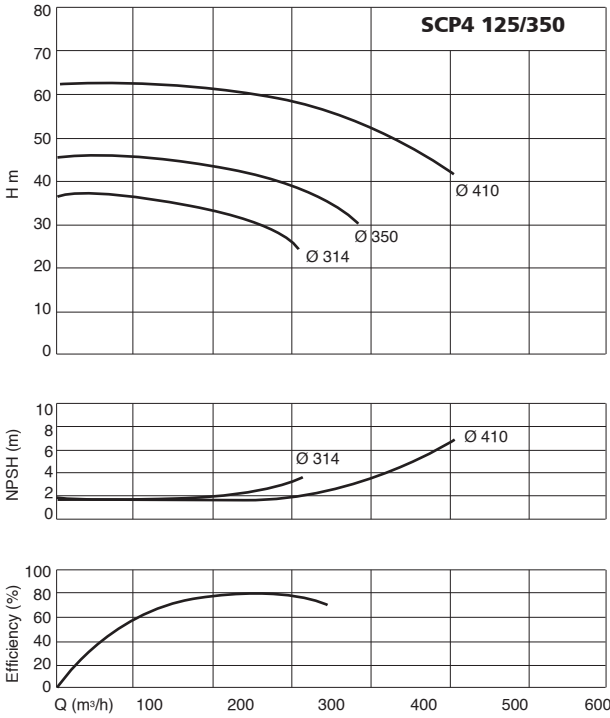
Characteristic curves n = 1450 1/min



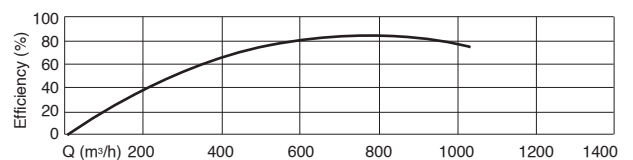
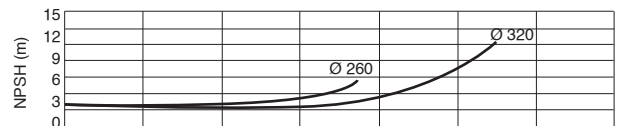
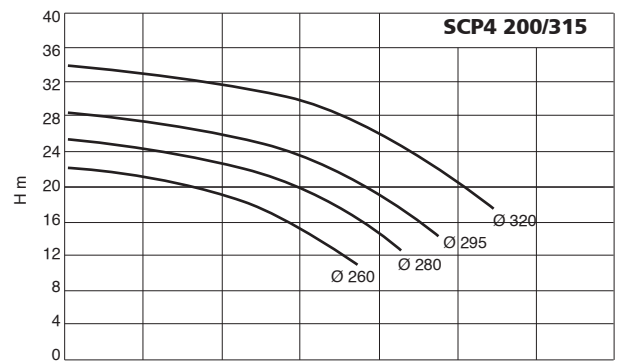
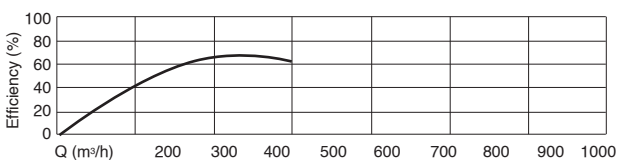
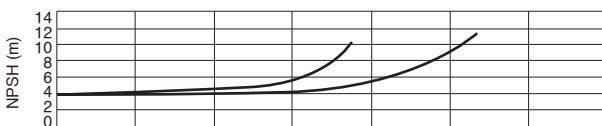
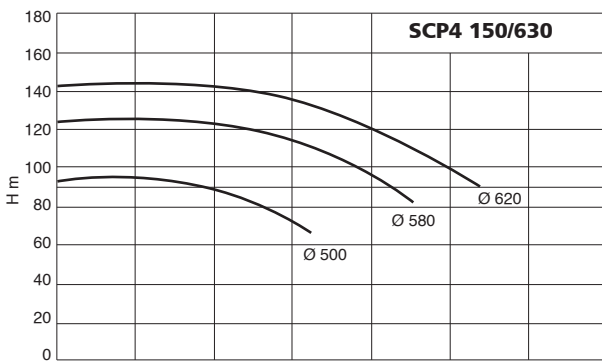
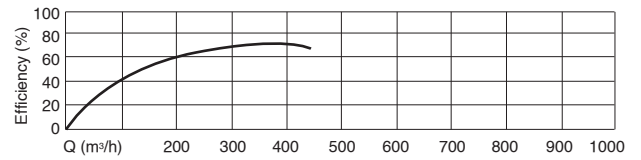
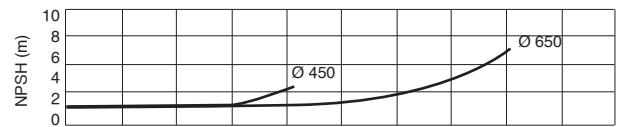
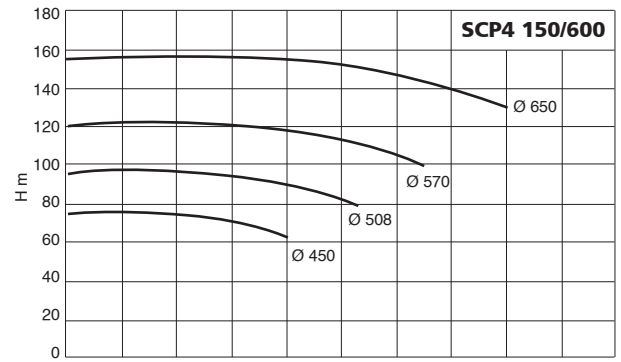
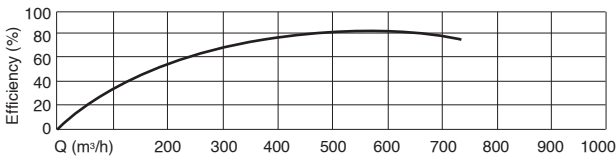
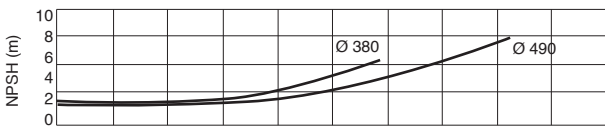
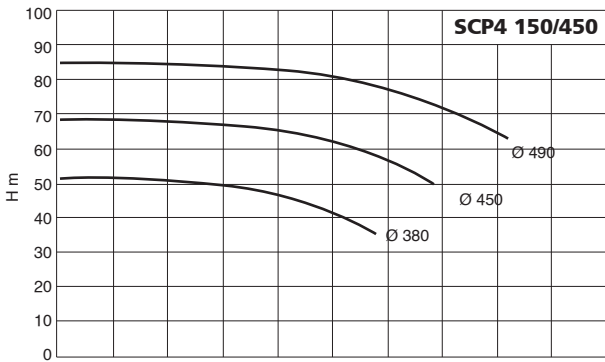
Characteristic curves n = 1450 1/min



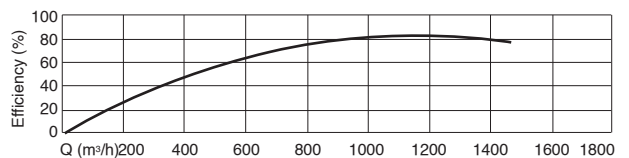
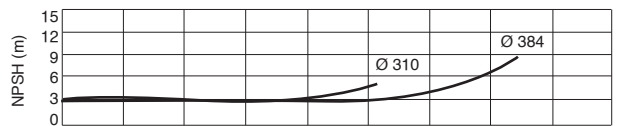
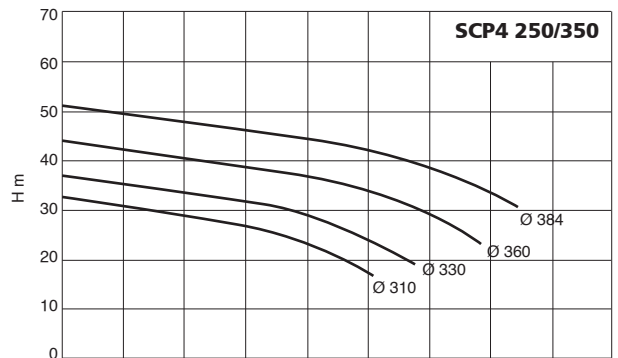
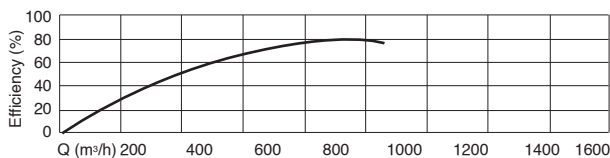
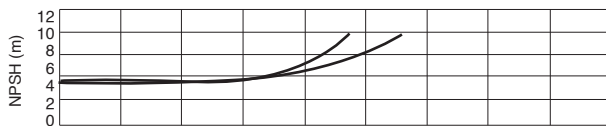
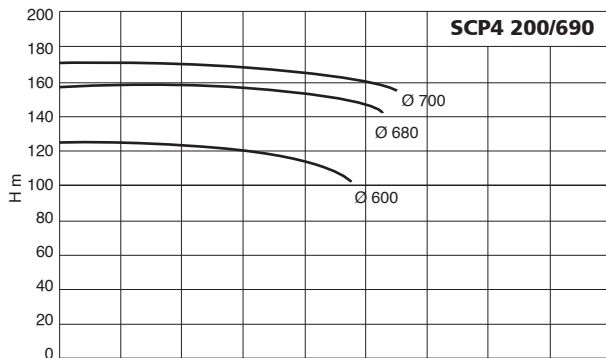
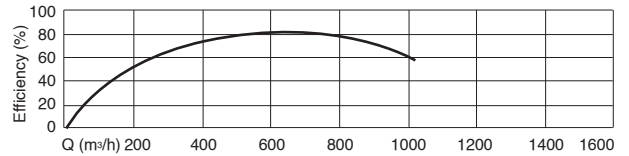
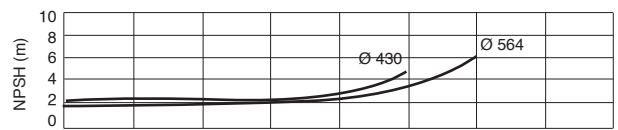
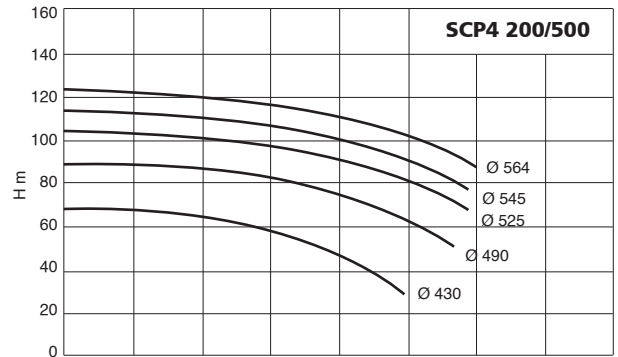
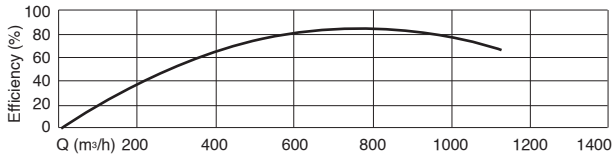
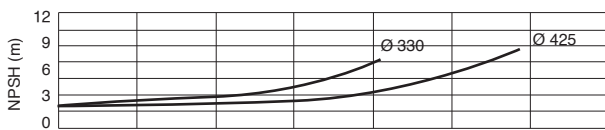
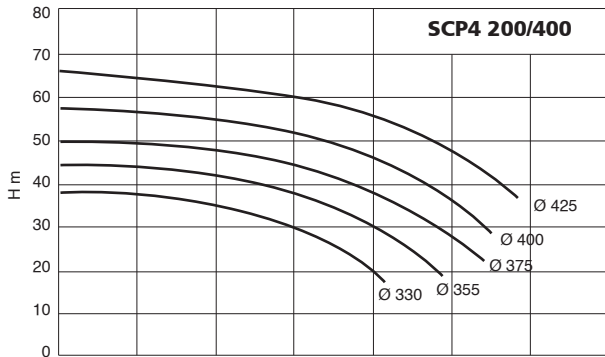
Characteristic curves n = 1450 1/min



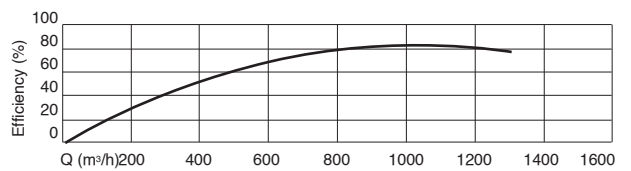
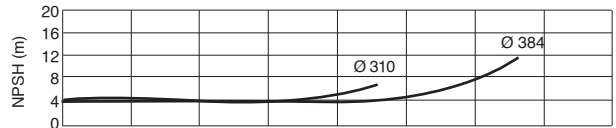
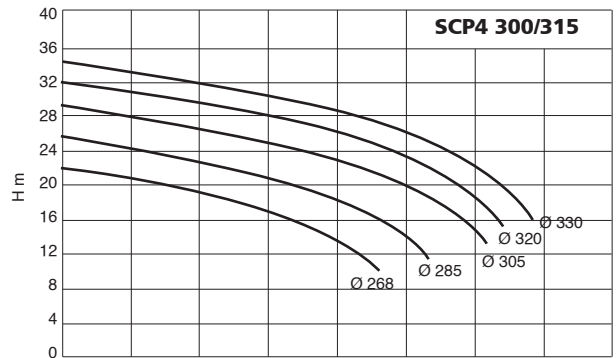
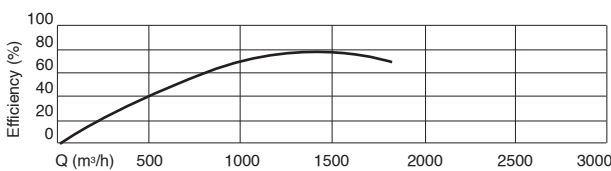
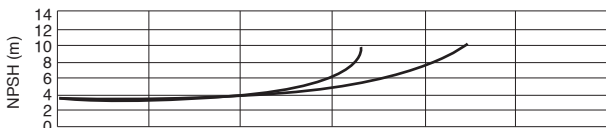
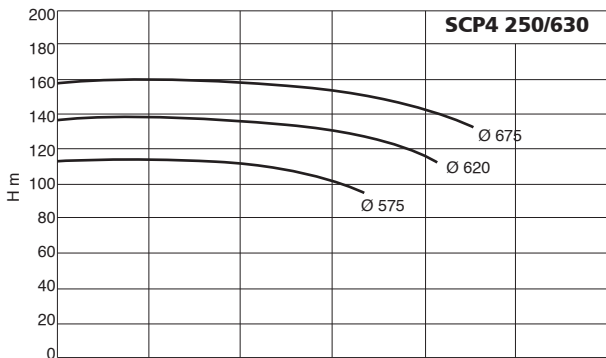
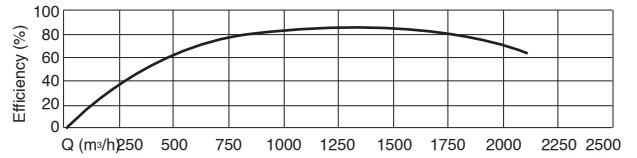
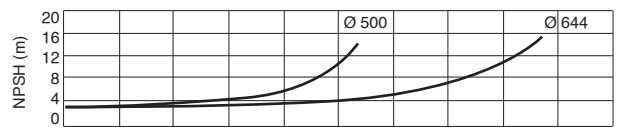
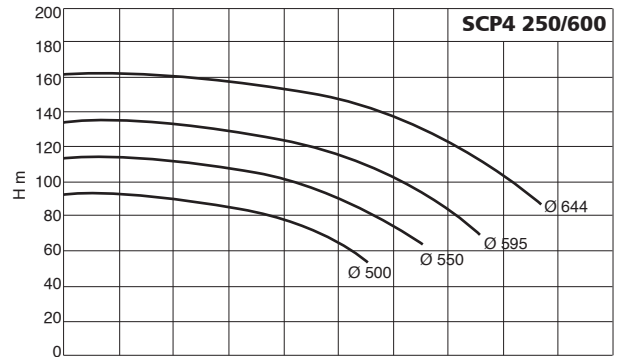
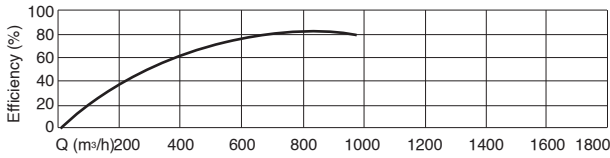
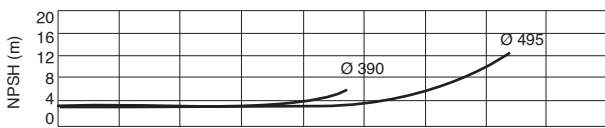
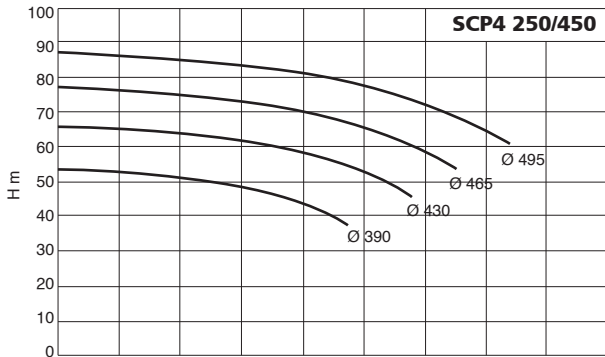
Characteristic curves n = 1450 1/min



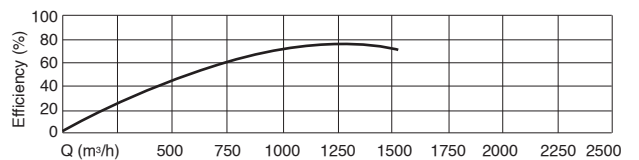
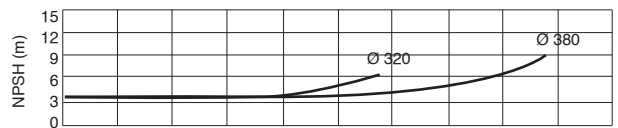
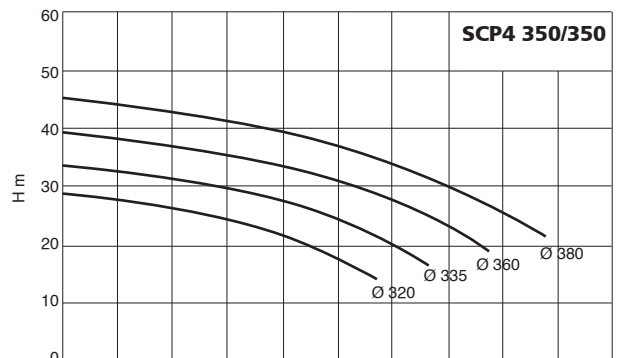
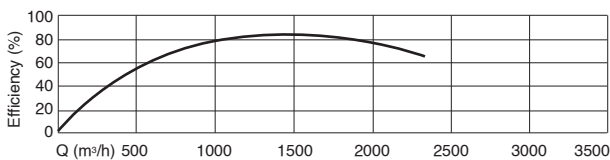
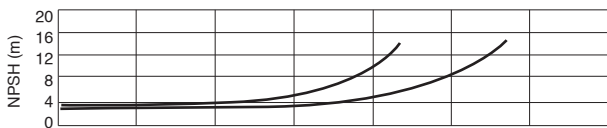
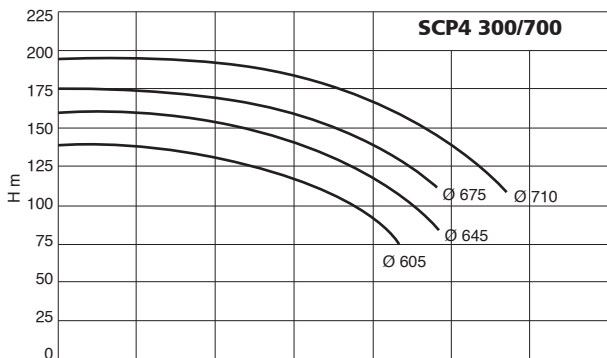
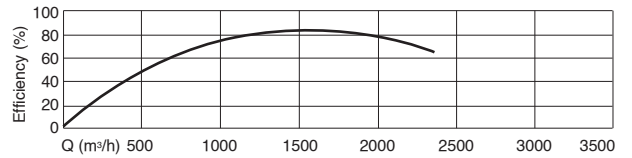
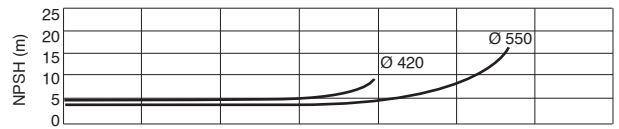
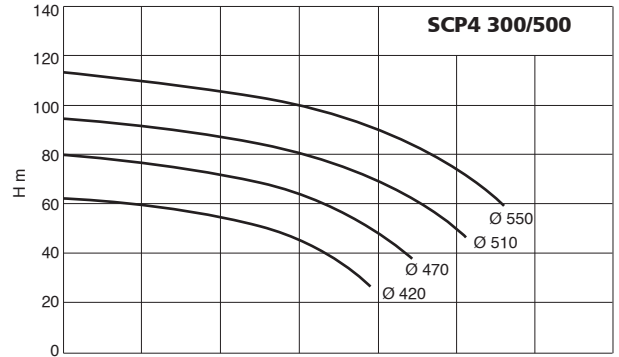
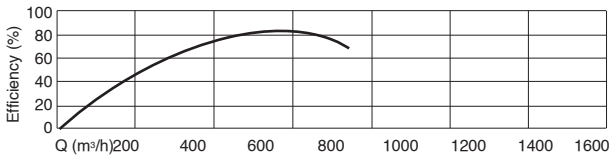
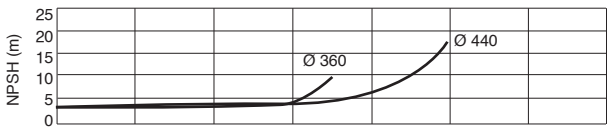
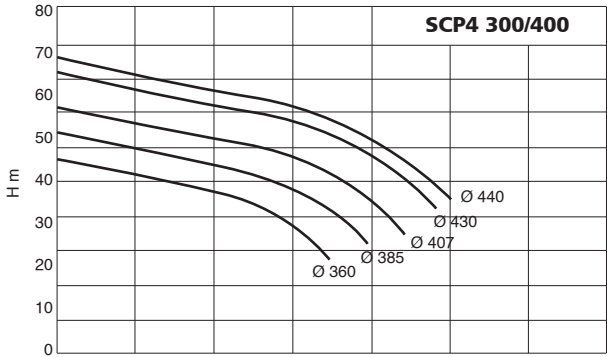
Characteristic curves n = 1450 1/min



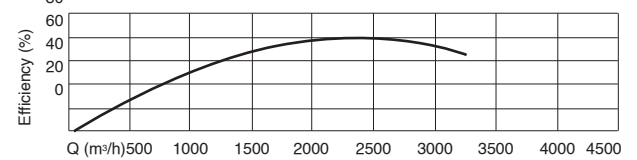
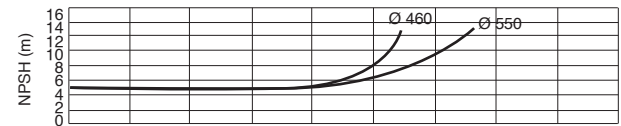
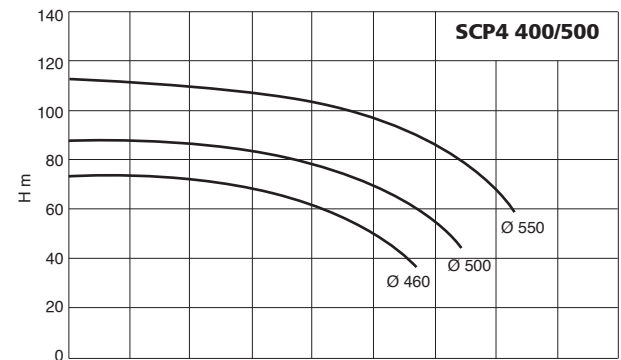
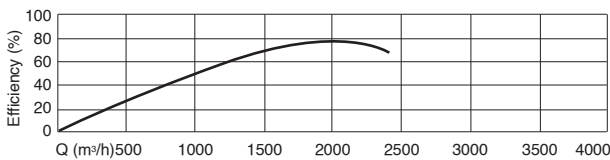
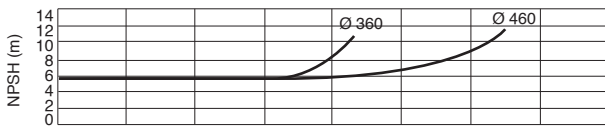
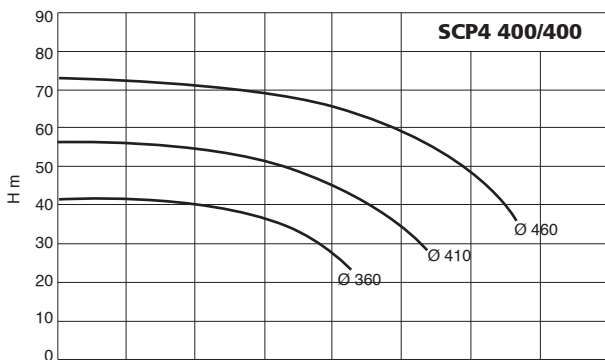
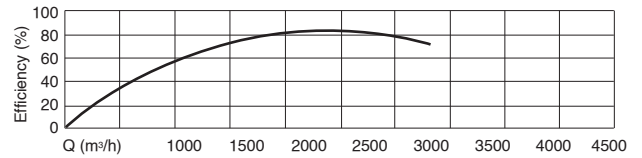
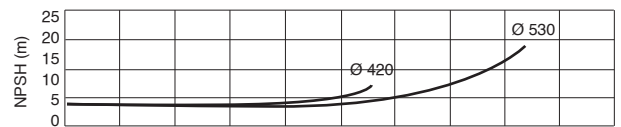
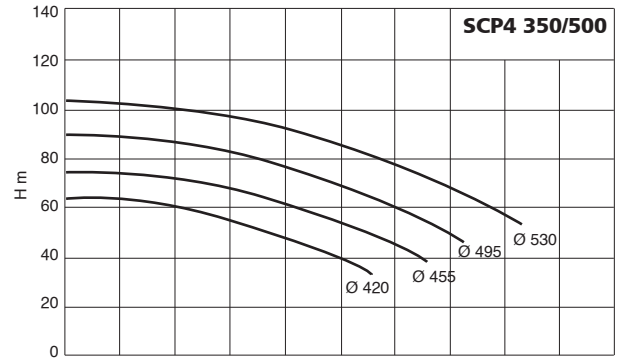
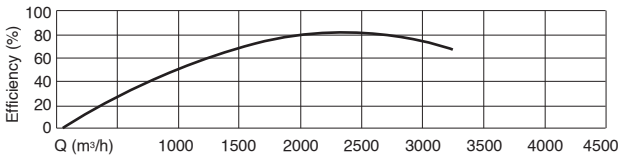
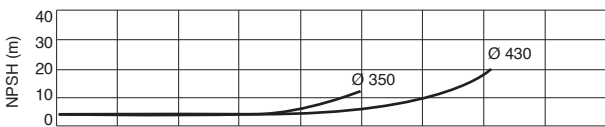
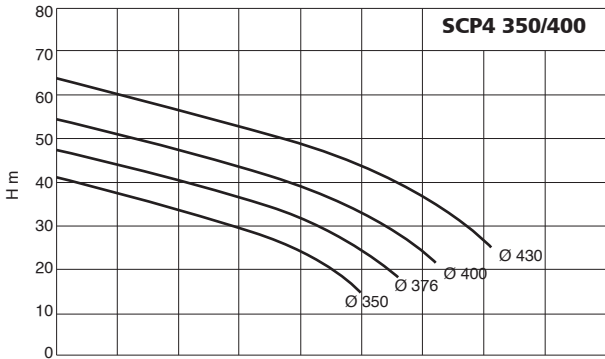
Characteristic curves n = 1450 1/min



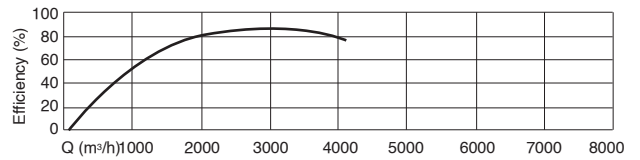
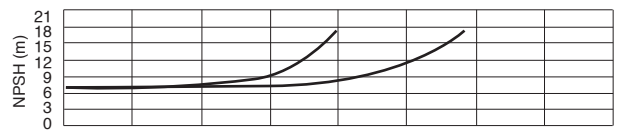
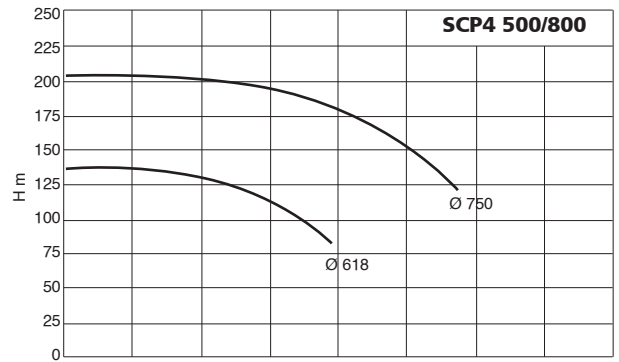
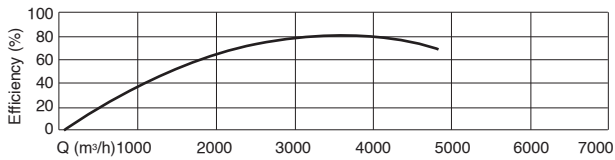
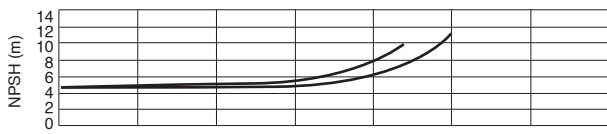
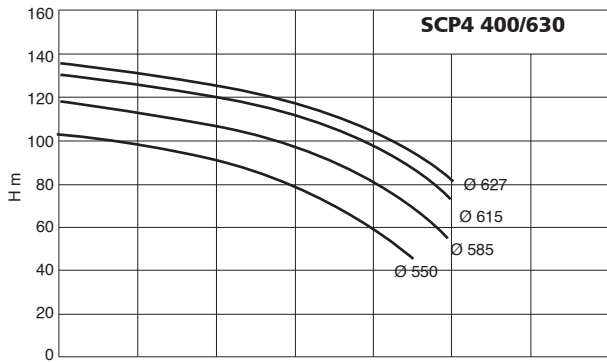
Characteristic curves n = 1450 1/min



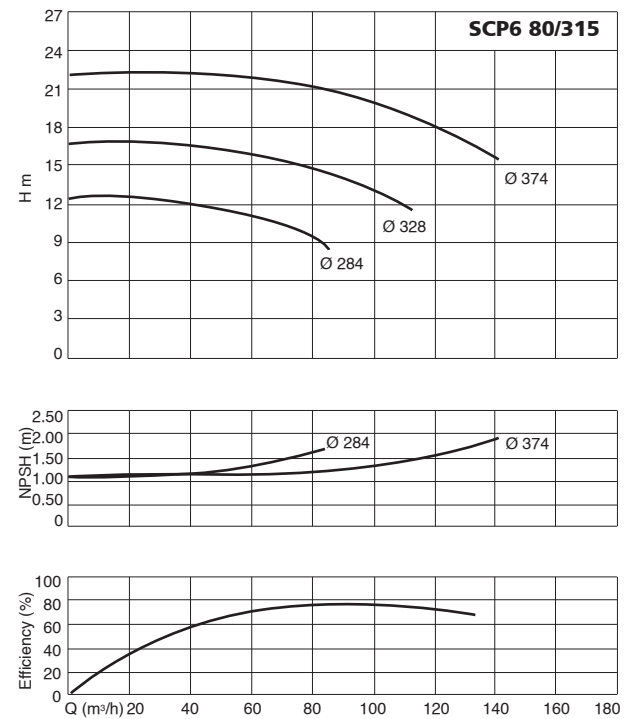
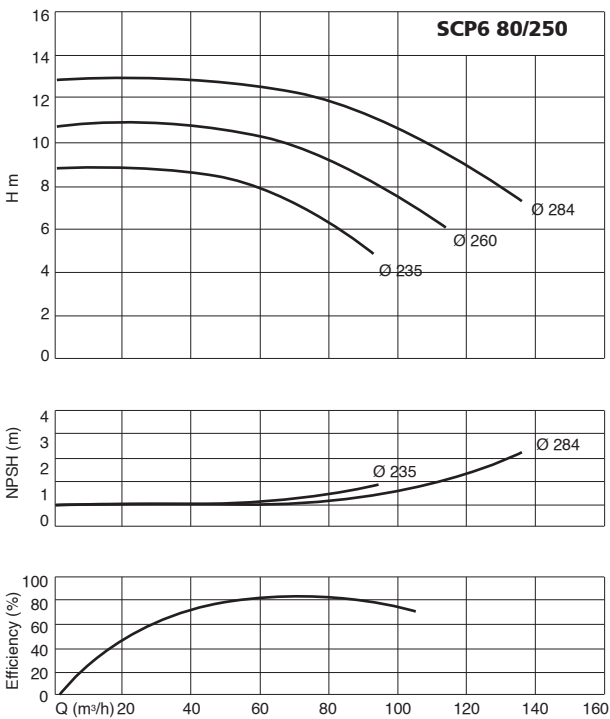
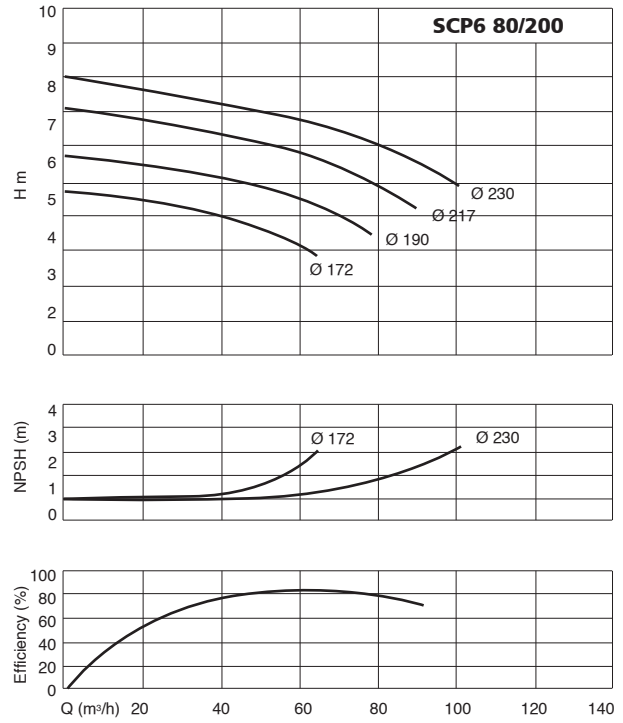
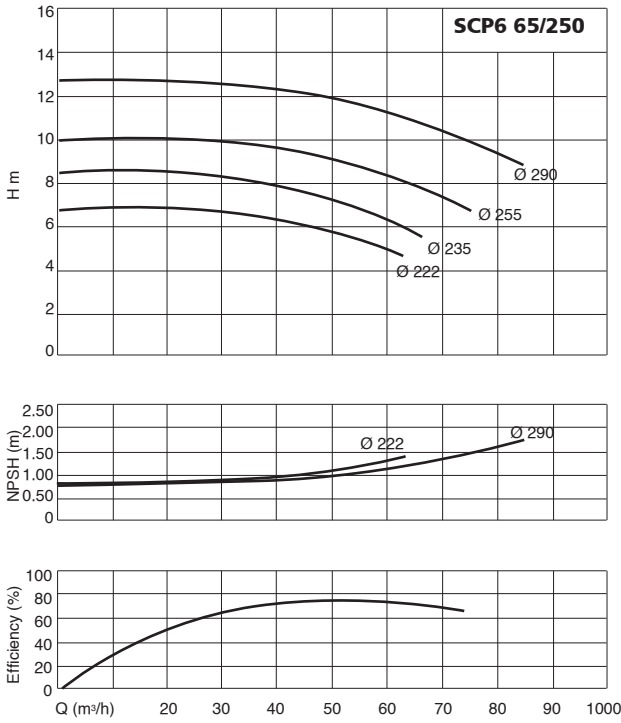
Characteristic curves n = 1450 1/min



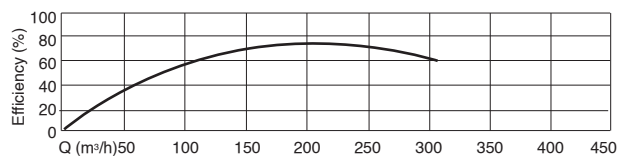
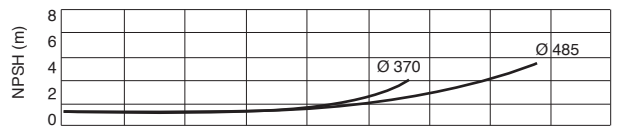
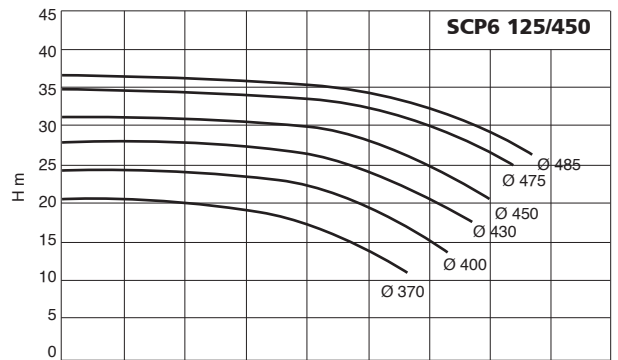
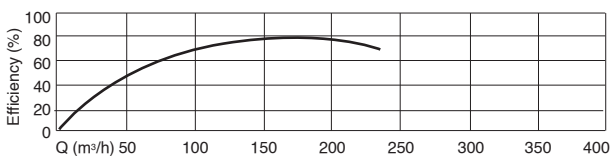
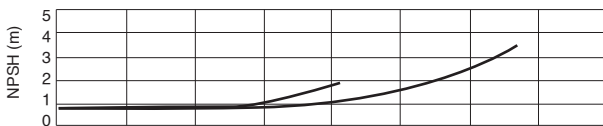
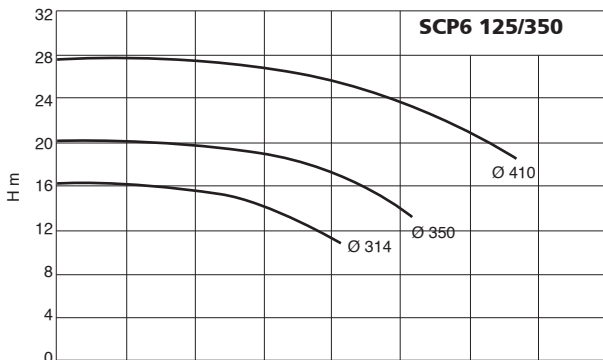
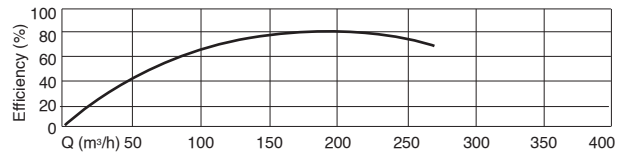
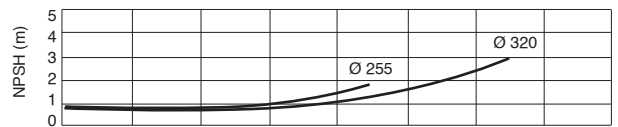
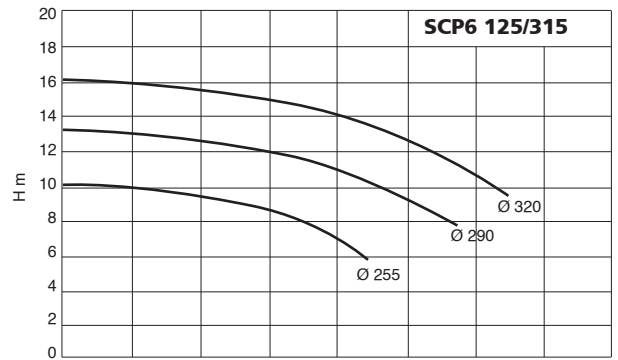
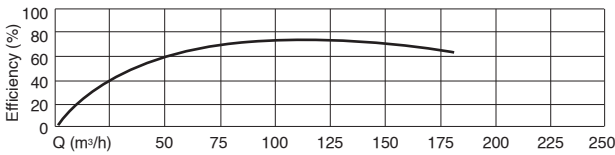
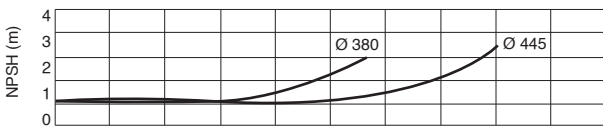
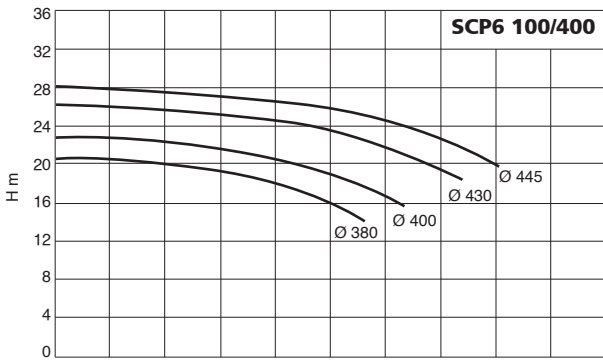
Characteristic curves n = 1450 1/min



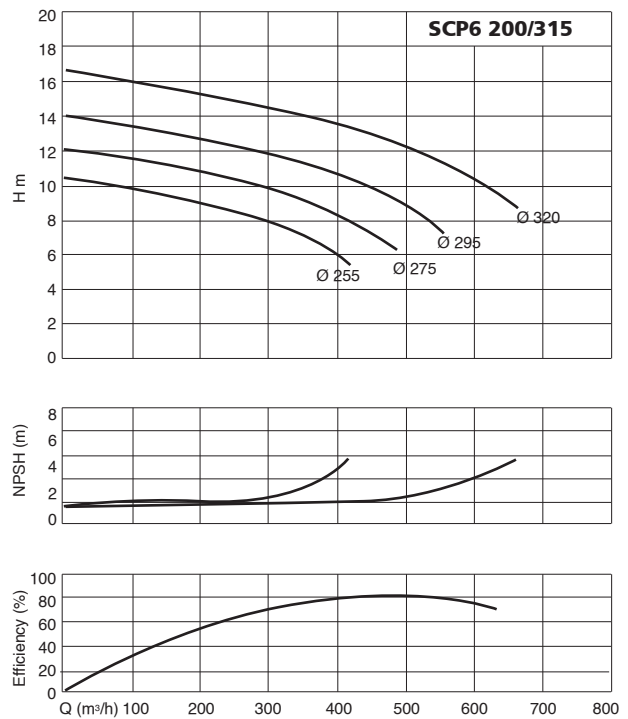
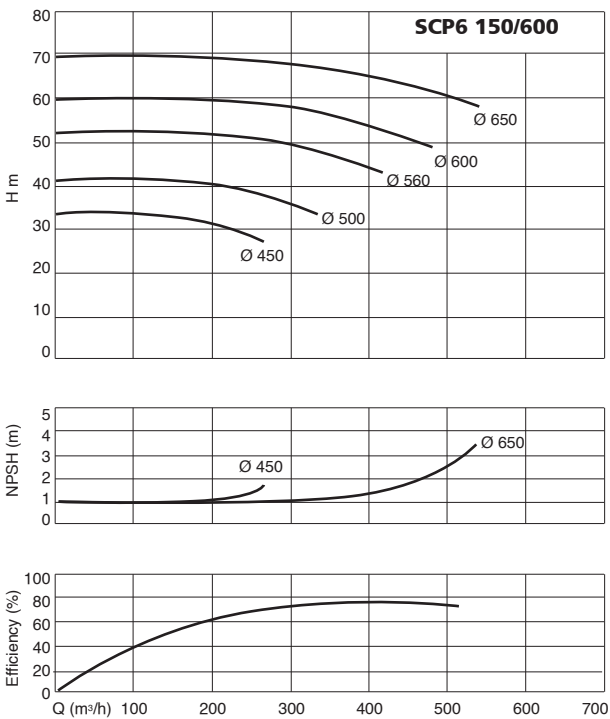
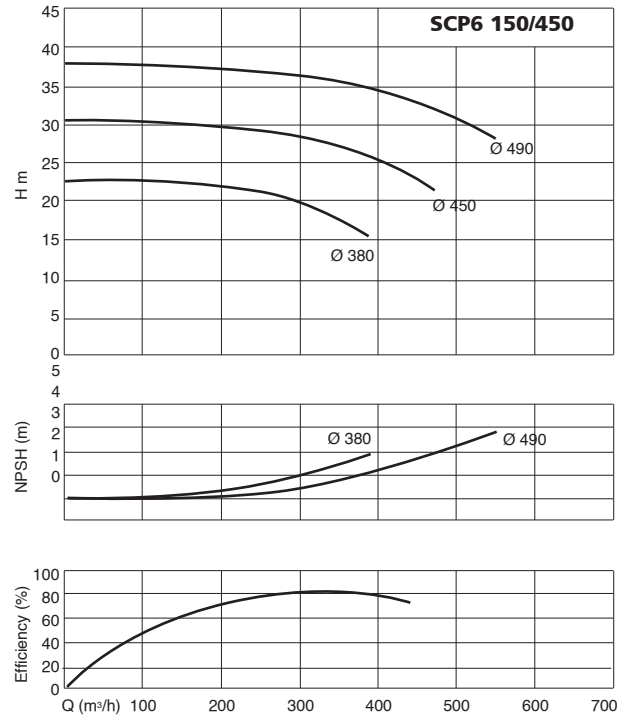
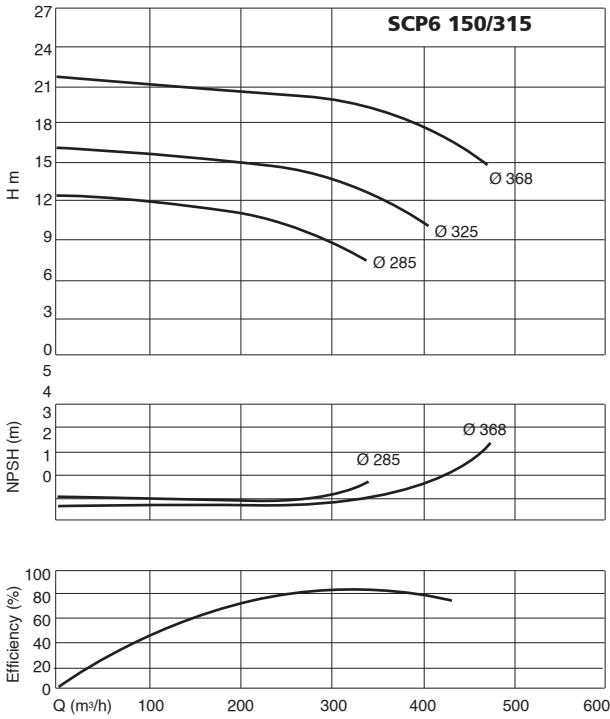
Characteristic curves n = 960 1/min



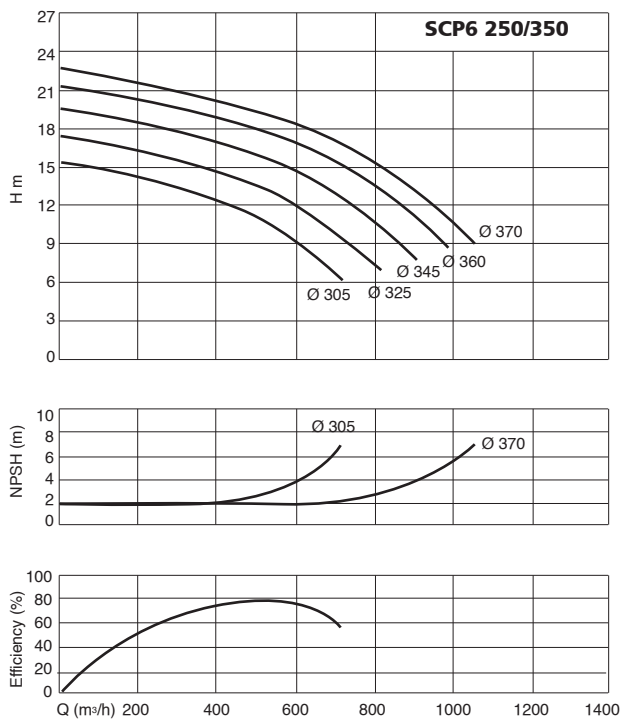
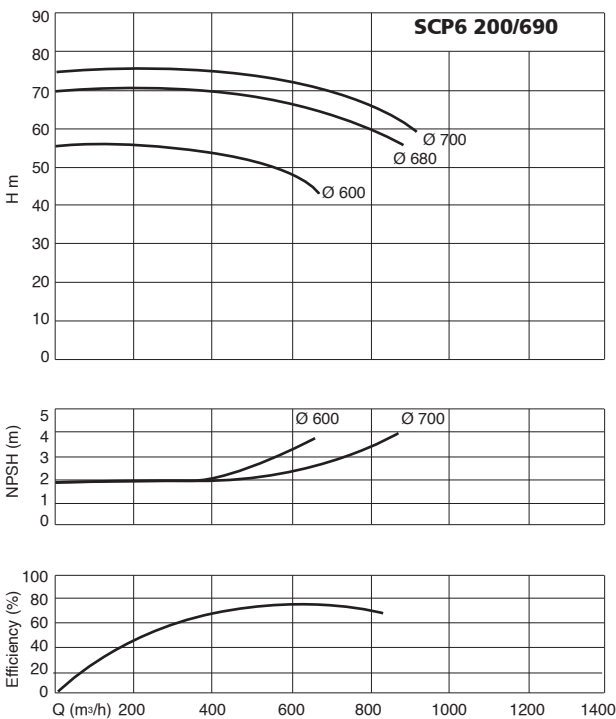
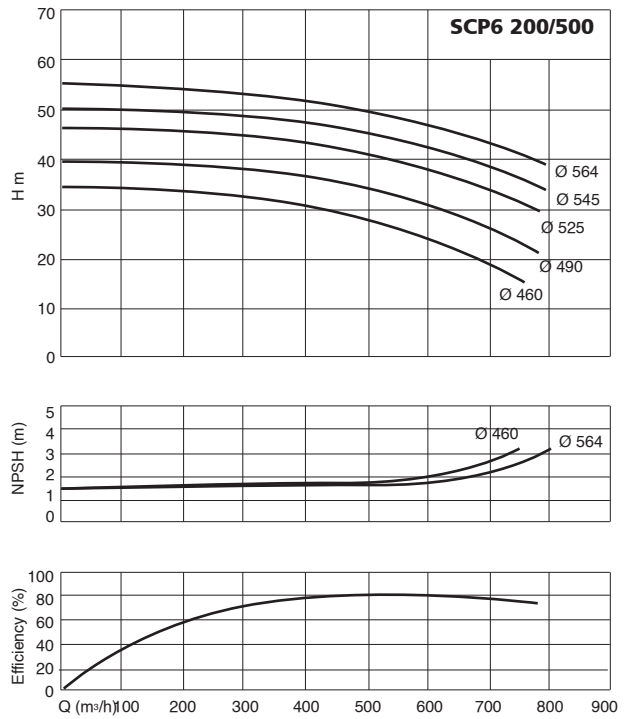
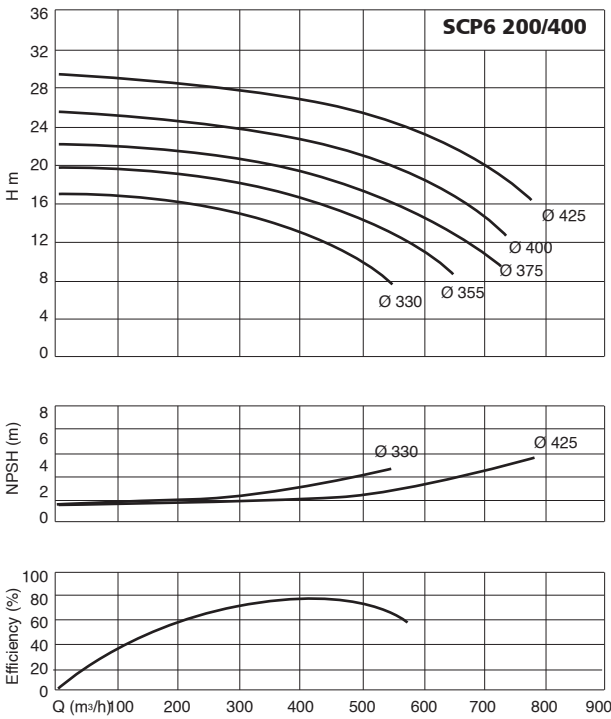
Characteristic curves n = 960 1/min



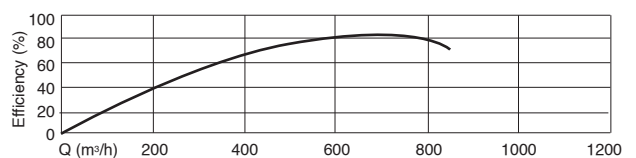
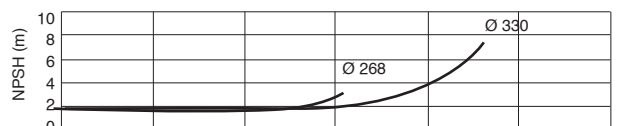
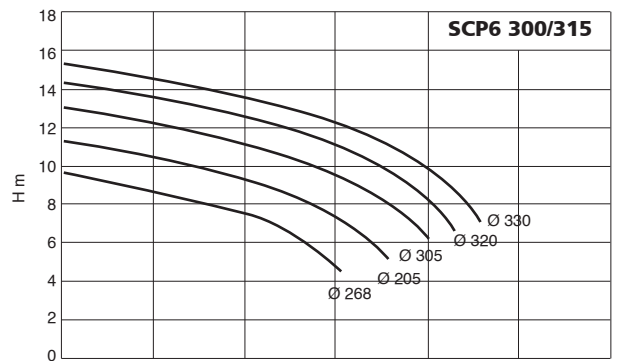
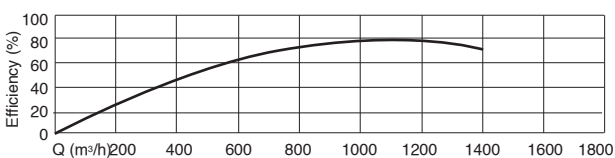
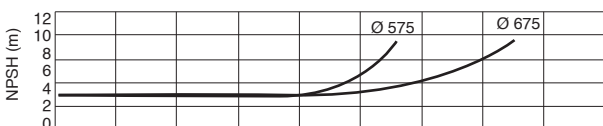
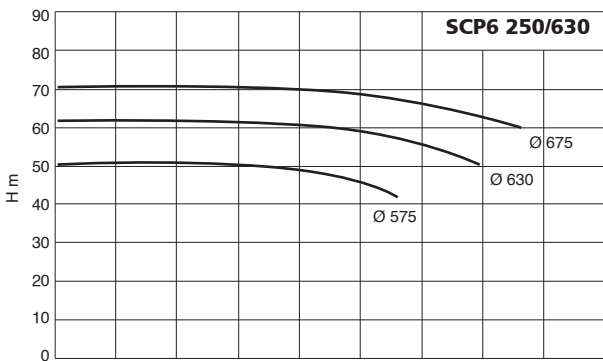
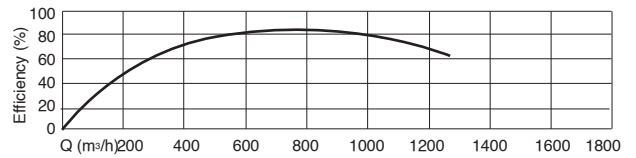
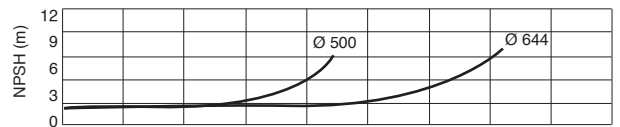
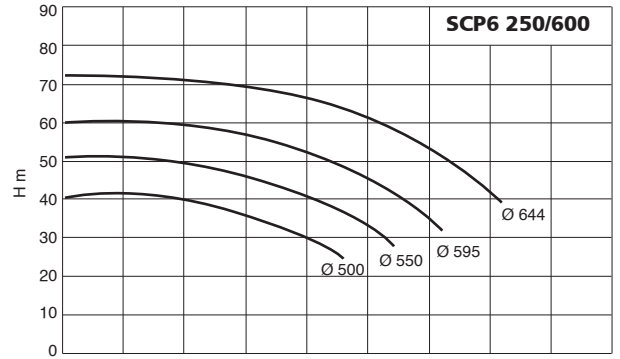
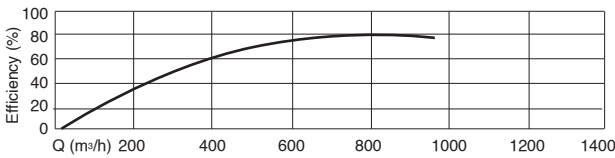
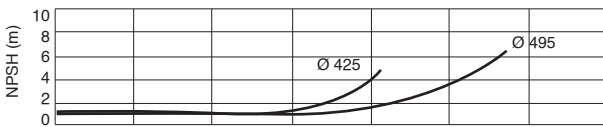
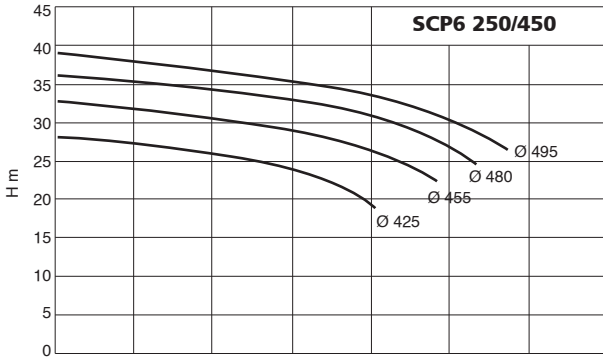
Characteristic curves n = 960 1/min



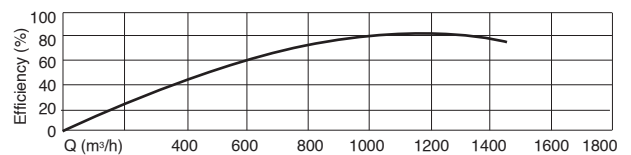
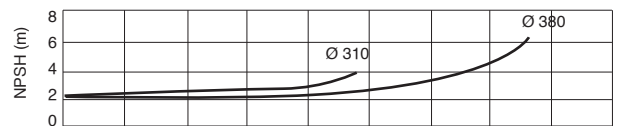
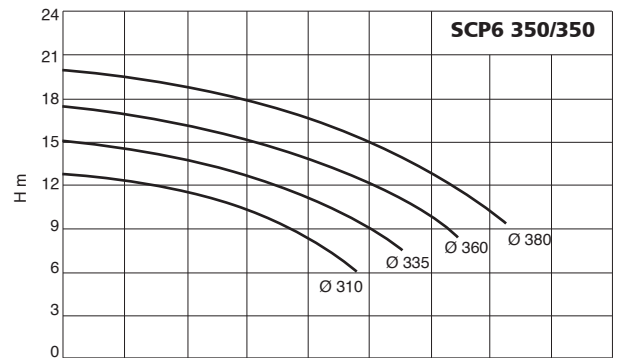
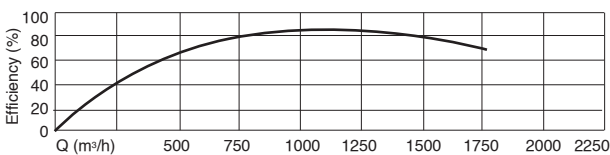
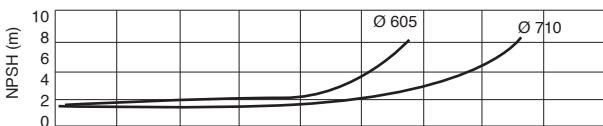
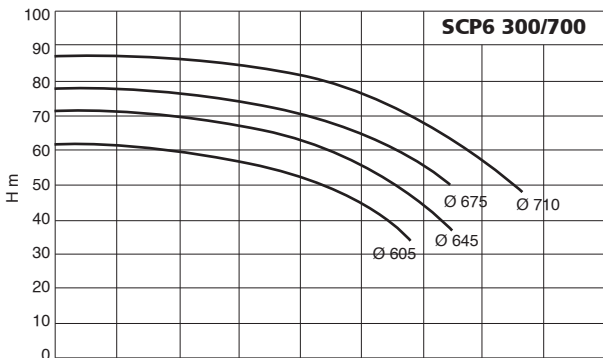
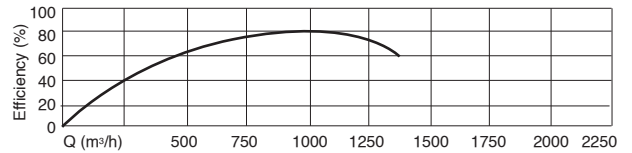
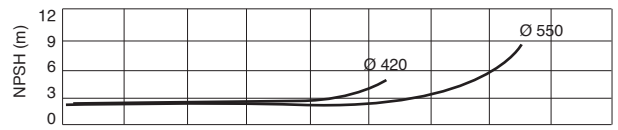
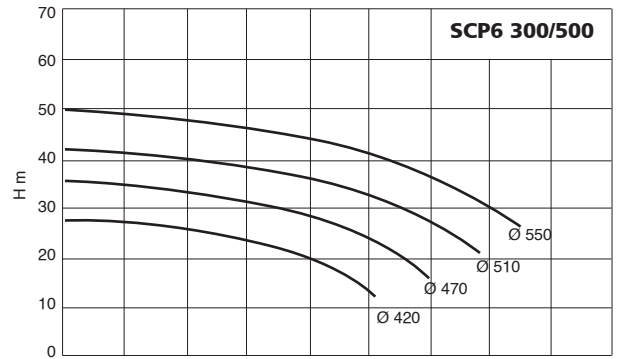
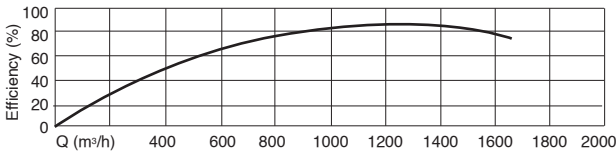
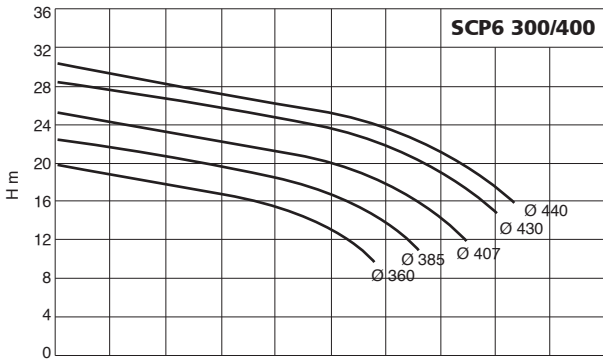
Characteristic curves n = 960 1/min



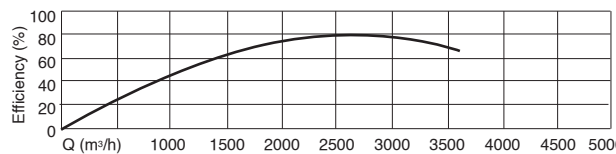
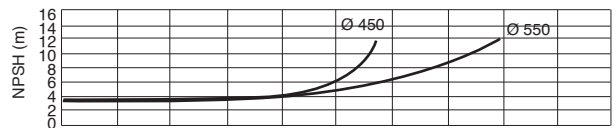
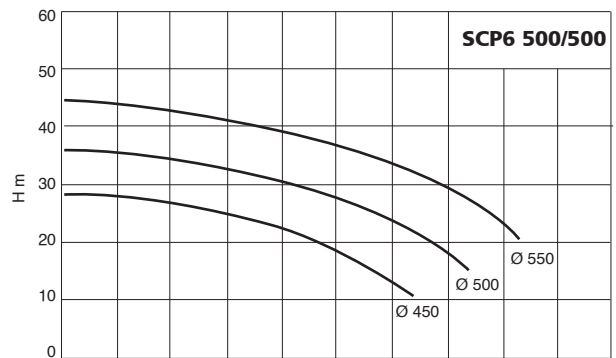
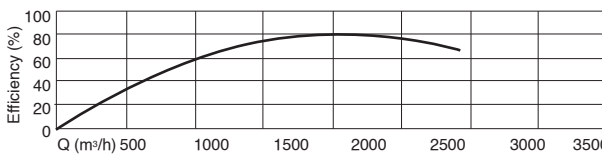
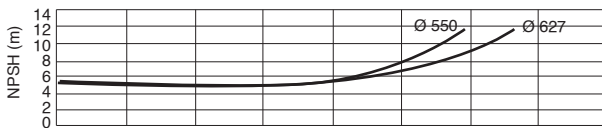
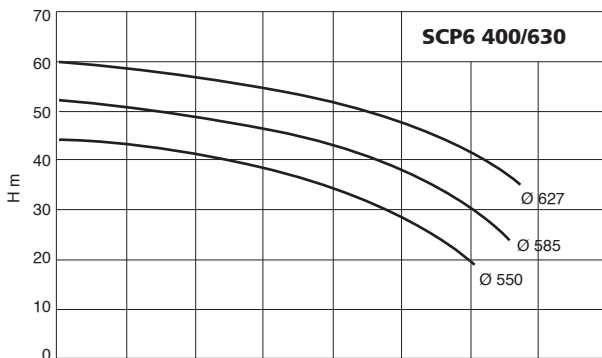
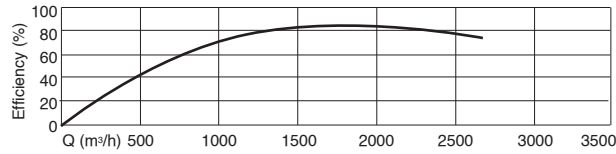
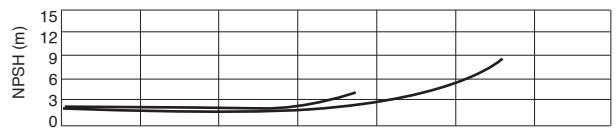
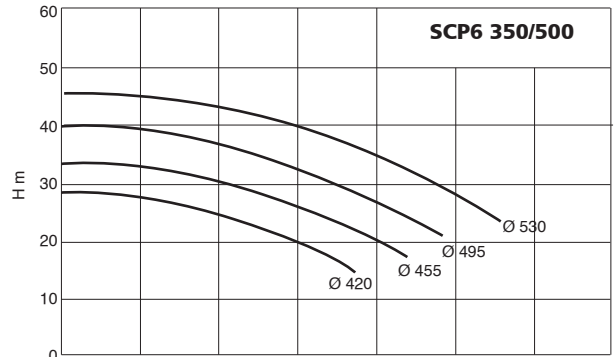
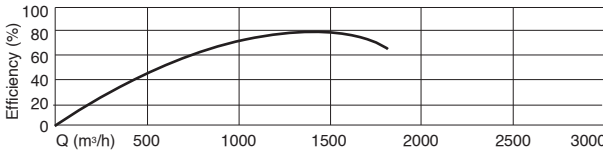
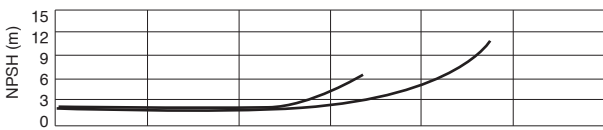
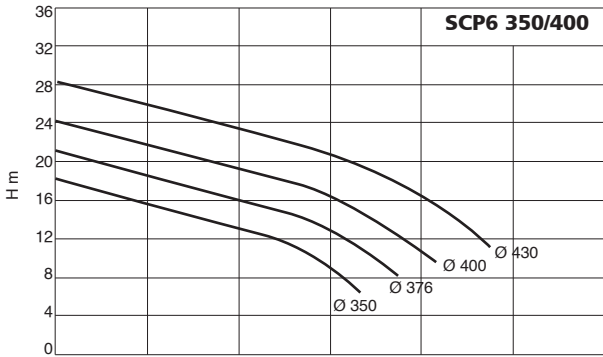
Characteristic curves n = 960 1/min



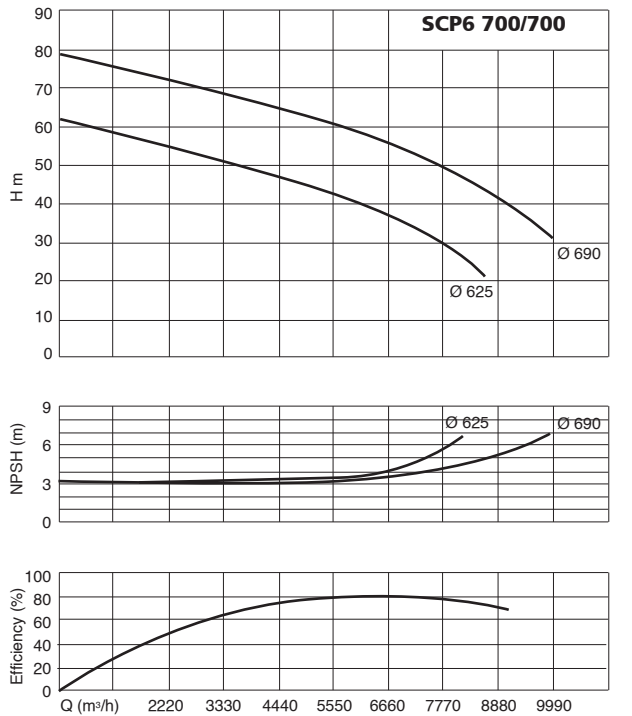
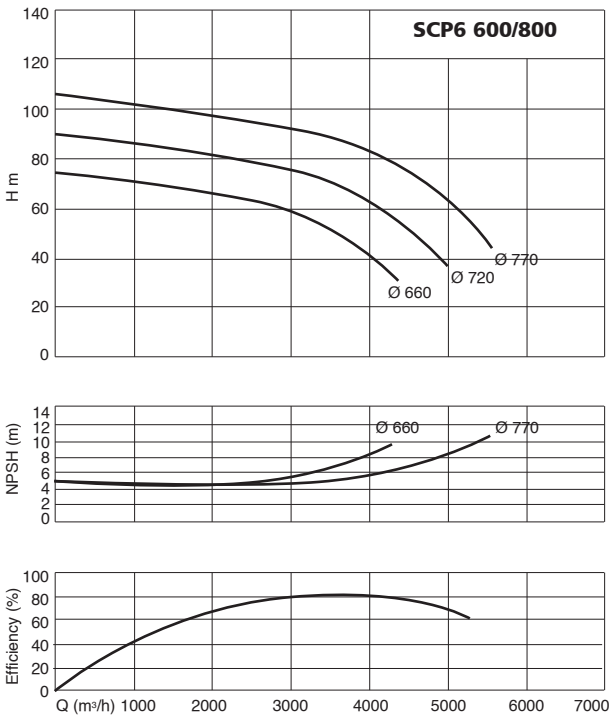
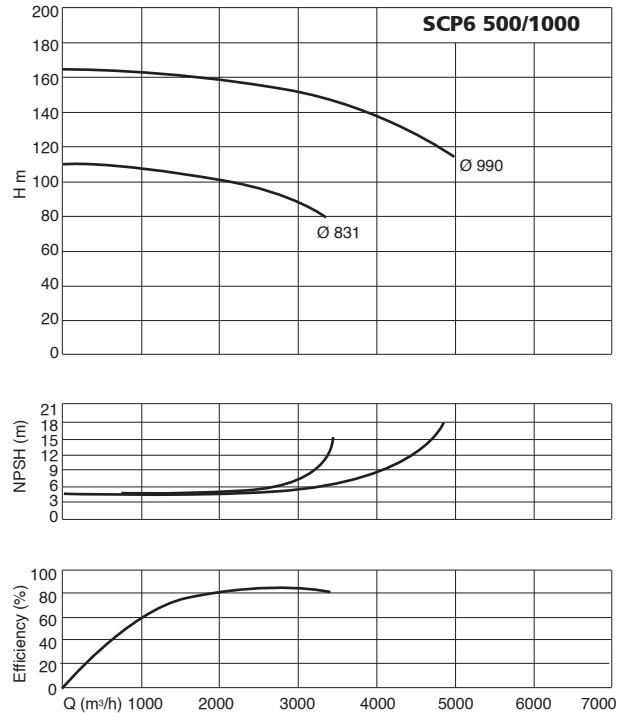
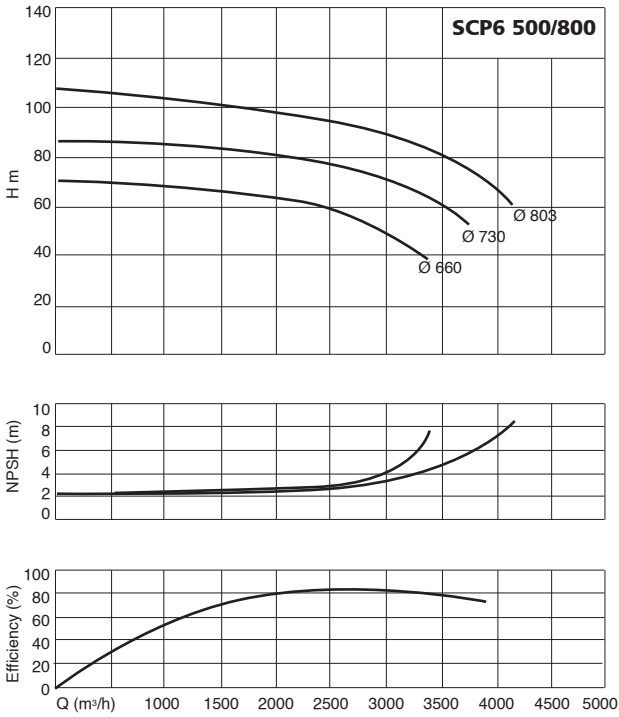
Characteristic curves n = 960 1/min



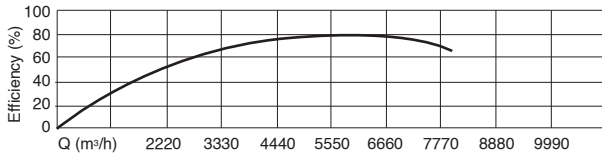
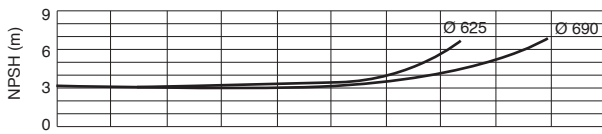
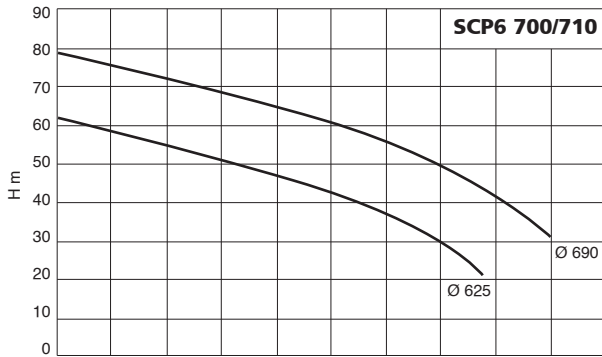
Characteristic curves n = 960 1/min



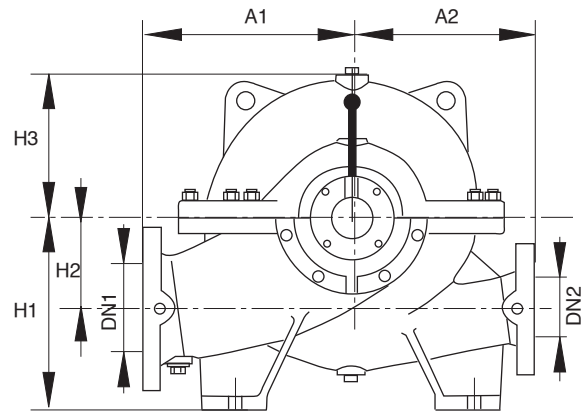
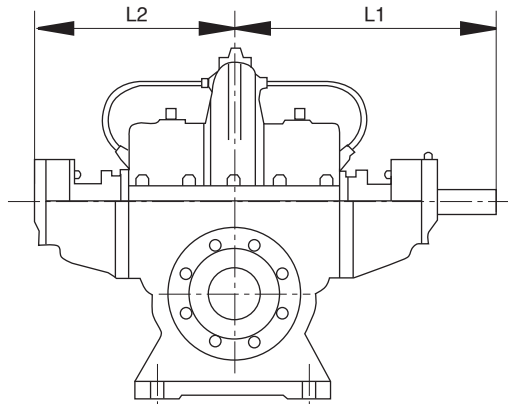
Characteristic curves n = 960 1/min



Characteristic curves n = 960 1/min



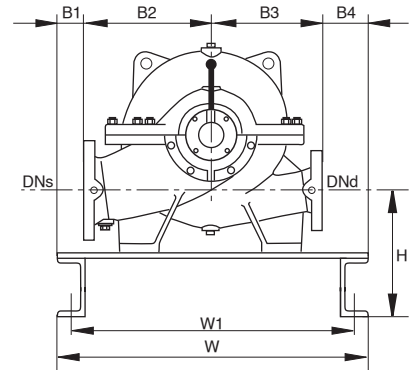
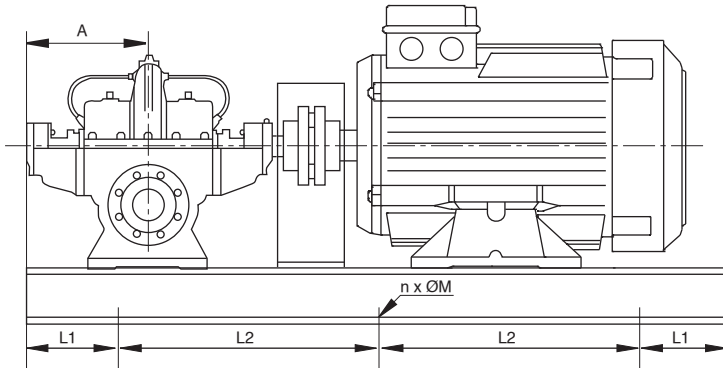
Dimensions and weights of bareshaft pumps



Pump Type	DN1	DN2	L1	L2	A1	A2	H1	H2	H3	Weight
SCP 65-250	100	65	400	310	320	280	300	140	200	165
SCP 65-300	100	65	400	310	360	300	300	140	265	180
SCP 80-200	125	80	400	310	320	280	300	140	200	165
SCP 80-250	125	80	400	310	320	280	300	140	230	175
SCP 80-315	125	80	400	310	360	300	300	140	270	197
SCP 100-250	150	100	450	350	360	310	355	170	235	220
SCP 100-315	150	100	450	350	360	310	355	170	250	250
SCP 100-400	150	100	450	350	420	370	355	170	310	270
SCP 125-315	200	125	530	400	420	370	400	200	280	302
SCP 125-350	200	125	530	400	470	450	400	200	315	325
SCP 125-450	200	125	585	450	500	450	400	200	355	410
SCP 150-315	200	150	585	450	470	400	400	200	335	395
SCP 150-450	200	150	585	450	500	450	400	200	390	430
SCP 200-315	250	200	645	500	500	450	500	240	315	490
SCP 200-400	250	200	645	500	500	450	500	240	380	550
SCP 200-500	250	200	645	500	550	500	560	300	380	700
SCP 250-350	300	250	645	500	600	500	600	300	370	700
SCP 250-450	300	250	645	500	600	500	600	300	415	780
SCP 250-600	300	250	710	540	650	550	600	300	440	1190
SCP 300-315	350	300	645	500	600	500	630	300	400	700
SCP 300-400	400	300	685	600	700	550	630	350	400	970
SCP 300-500	400	300	725	550	700	550	710	350	385	1500
SCP 300-700	400	300	750	550	850	700	710	400	600	1800
SCP 350-350	400	350	770	615	700	550	670	350	450	920
SCP 350-400	500	350	805	650	800	600	800	400	510	1350
SCP 350-500	500	350	825	650	800	600	800	400	510	1520

For dimensions not given in the table above, please consult our company.

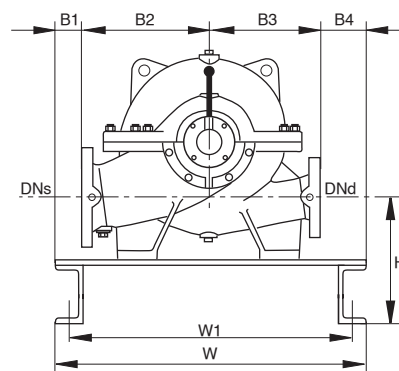
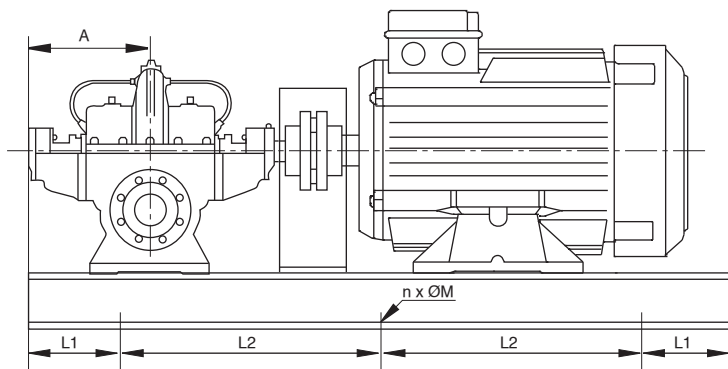
Dimensions and weights of pumps with electric motors



Pump Type	DN _s	DN _d	A	L1	L2	n x M	B1	B2	B3	B4	H	W	W1	kg
SCP 65-250 - 37 kW	100	65	310	200	600	4x16	-20	320	280	20	248	600	550	492
SCP 65-250 - 45 kW	100	65	310	200	600	4x16	-20	320	280	20	248	600	550	567
SCP 65-250 - 55 kW	100	65	310	200	650	4x16	-20	320	280	20	268	600	550	655
SCP 65-250 - 75 kW	100	65	310	200	700	4x16	30	320	280	70	270	700	650	841
SCP 65-250 - 90 kW	100	65	310	200	700	4x16	30	320	280	70	272	700	650	911
SCP 80-200 - 37 kW	125	80	310	200	600	4x16	-20	320	280	20	248	600	550	492
SCP 80-200 - 45 kW	125	80	310	200	600	4x16	-20	320	280	20	248	600	550	567
SCP 80-200 - 55 kW	125	80	310	200	650	4x16	-20	320	280	20	268	600	550	655
SCP 80-200 - 75 kW	125	80	310	200	700	4x16	30	320	280	70	270	700	650	841
SCP 80-250 - 75 kW	125	80	310	200	700	4x16	30	320	280	70	270	700	650	851
SCP 80-250 - 90 kW	125	80	310	200	700	4x16	30	320	280	70	272	700	650	921
SCP 80-250 - 110 kW	125	80	310	200	750	4x20	80	320	280	120	292	800	750	1,156
SCP 100-250 - 110 kW	150	100	350	200	800	6x16	40	360	310	90	317	800	750	1,211
SCP 100-250 - 132 kW	150	100	350	200	800	6x16	40	360	310	90	337	800	750	1,329
SCP 100-250 - 160 kW	150	100	350	200	800	6x18	40	360	310	90	337	800	750	1,454
SCP 100-315 - 132 kW	150	100	350	200	800	6x16	40	360	310	90	337	800	750	1,359
SCP 100-315 - 160 kW	150	100	350	200	800	6x18	40	360	310	90	339	800	750	1,509
SCP 100-315 - 185 kW	150	100	350	200	850	6x18	40	360	310	90	339	800	750	1,621
SCP 125-315 - 160 kW	200	125	400	200	900	6x18	-20	420	370	30	354	800	750	1,585
SCP 125-315 - 185 kW	200	125	400	200	900	6x18	-20	420	370	30	354	800	750	1,685
SCP 125-315 - 200 kW	200	125	400	200	900	6x18	-20	420	370	30	354	800	750	1,715
SCP 125-315 - 250 kW	200	125	400	200	1000	6x20	30	420	370	80	374	900	850	1,938
SCP4 65-250 - 4 kW	100	65	310	200	400	4x14	-20	320	280	20	225	600	550	239
SCP4 65-250 - 5.5 kW	100	65	310	200	400	4x14	-20	320	280	20	225	600	550	249
SCP4 65-250 - 7.5 kW	100	65	310	200	450	4x14	-20	320	280	20	225	600	550	261
SCP4 65-250 - 11 kW	100	65	310	200	500	4x14	-20	320	280	20	226	600	550	332
SCP4 80-200 - 3 kW	125	80	310	200	400	4x14	-20	320	280	20	225	600	550	231
SCP4 80-200 - 4 kW	125	80	310	200	400	4x14	-20	320	280	20	225	600	550	239
SCP4 80-200 - 5.5 kW	125	80	310	200	400	4x14	-20	320	280	20	225	600	550	249
SCP4 80-200 - 7.5 kW	125	80	310	200	450	4x14	-20	320	280	20	225	600	550	261
SCP4 80-250 - 7.5 kW	125	80	310	200	450	4x14	-20	320	280	20	225	600	550	271
SCP4 80-250 - 11 kW	125	80	310	200	500	4x14	-20	320	280	20	226	600	550	342
SCP4 80-250 - 15 kW	125	80	310	200	500	4x14	-20	320	280	20	246	600	550	378
SCP4 80-315 - 18.5 kW	125	80	310	200	550	4x14	-10	360	300	50	246	700	650	432
SCP4 80-315 - 22 kW	125	80	310	200	550	4x14	-10	360	300	50	246	700	650	457
SCP4 80-315 - 30 kW	125	80	310	200	600	4x16	-10	360	300	50	248	700	650	534
SCP4 100-250 - 7.5 kW	150	100	350	200	500	4x14	-10	360	310	40	251	700	650	332
SCP4 100-250 - 11 kW	150	100	350	200	550	4x14	-10	360	310	40	271	700	650	403
SCP4 100-250 - 15 kW	150	100	350	200	550	4x14	-10	360	310	40	271	700	650	435
SCP4 100-250 - 18.5 kW	150	100	350	200	600	4x14	-10	360	310	40	271	700	650	460
SCP4 100-250 - 22 kW	150	100	350	200	600	4x16	-10	360	310	40	273	700	650	502
SCP4 100-315 - 18.5 kW	150	100	350	200	600	4x16	-10	360	310	40	273	700	650	507
SCP4 100-315 - 22 kW	150	100	350	200	600	4x16	-10	360	310	40	273	700	650	532
SCP4 100-315 - 30 kW	150	100	350	200	650	4x16	-10	360	310	40	273	700	650	593

For dimensions not given in the table above, please consult our company.

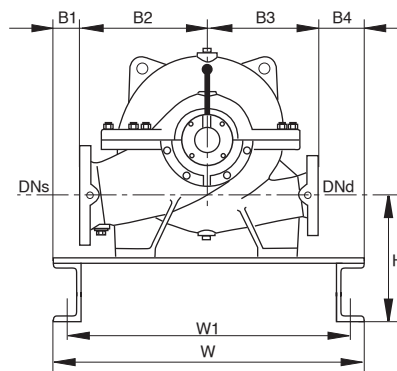
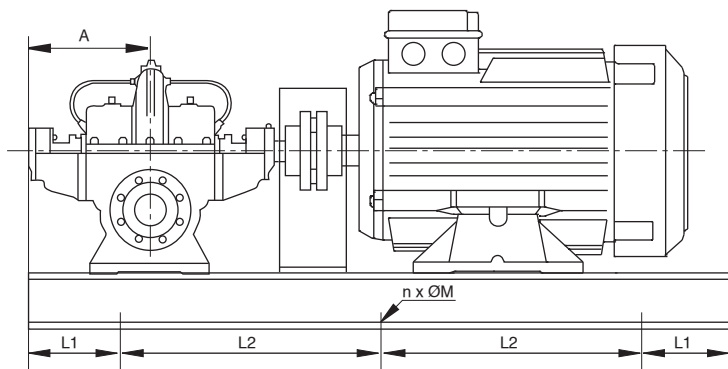
Dimensions and weights of pumps with electric motors



Pump Type	DNs	DNd	A	L1	L2	nxM	B1	B2	B3	B4	H	W	W1	kg
SCP4 100-400 - 30 kW	150	100	350	200	650	4x16	-20	420	370	30	293	800	750	631
SCP4 100-400 - 37 kW	150	100	350	200	650	4x16	-20	420	370	30	293	800	750	666
SCP4 100-400 - 45 kW	150	100	350	200	650	4x16	-20	420	370	30	293	800	750	711
SCP4 100-400 - 55 kW	150	100	350	200	700	4x16	-20	420	370	30	295	800	750	820
SCP4 125-315 - 30 kW	200	125	400	200	700	4x16	-20	420	370	30	308	800	750	670
SCP4 125-315 - 37 kW	200	125	400	200	700	4x16	-20	420	370	30	308	800	750	705
SCP4 125-315 - 45 kW	200	125	400	200	750	4x16	-20	420	370	30	310	800	750	781
SCP4 125-350 - 37 kW	200	125	400	200	700	4x16	30	470	450	50	308	1000	950	750
SCP4 125-350 - 45 kW	200	125	400	200	750	4x16	30	470	450	50	310	1000	950	833
SCP4 125-350 - 55 kW	200	125	400	200	750	4x16	30	470	450	50	310	1000	950	913
SCP4 125-350 - 75 kW	200	125	400	200	800	6x16	30	470	450	50	332	1000	950	1,097
SCP4 125-450 - 45 kW	200	125	450	200	800	6x14	0	500	450	50	310	1000	950	928
SCP4 125-450 - 55 kW	200	125	450	200	800	6x16	0	500	450	50	332	1000	950	1,052
SCP4 125-450 - 75 kW	200	125	450	200	850	6x16	0	500	450	50	332	1000	950	1,194
SCP4 125-450 - 90 kW	200	125	450	200	900	6x16	0	500	450	50	332	1000	950	1,286
SCP4 125-450 - 110 kW	200	125	450	200	950	6x16	0	500	450	50	352	1000	950	1,469
SCP4 125-450 - 132 kW	200	125	450	200	950	6x18	0	500	450	50	354	1000	950	1,625
SCP4 150-315 - 55 kW	200	150	450	200	800	6x14	-20	470	400	50	312	900	850	1,006
SCP4 150-315 - 75 kW	200	150	450	200	850	6x16	-20	470	400	50	332	900	850	1,159
SCP4 150-315 - 90 kW	200	150	450	200	900	6x16	-20	470	400	50	332	900	850	1,250
SCP4 150-450 - 110 kW	200	150	450	200	950	6x18	0	500	450	50	352	1000	950	1,489
SCP4 150-450 - 132 kW	200	150	450	200	950	6x18	0	500	450	50	354	1000	950	1,645
SCP4 150-450 - 160 kW	200	150	450	200	950	6x18	0	500	450	50	354	1000	950	1,770
SCP4 150-450 - 185 kW	200	150	450	200	1000	6x20	0	500	450	50	374	1000	950	1,897
SCP4 200-315 - 37 kW	250	200	500	200	850	6x14	0	500	450	50	372	1000	950	1,006
SCP4 200-315 - 45 kW	250	200	500	200	850	6x16	0	500	450	50	392	1000	950	1,064
SCP4 200-315 - 55 kW	250	200	500	200	900	6x16	0	500	450	50	392	1000	950	1,156
SCP4 200-315 - 75 kW	250	200	500	200	900	6x16	0	500	450	50	392	1000	950	1,286
SCP4 200-400 - 90 kW	250	200	500	200	950	6x16	0	500	450	50	412	1000	950	1,449
SCP4 200-400 - 110 kW	250	200	500	200	1000	6x18	0	500	450	50	414	1000	950	1,659
SCP4 200-400 - 132 kW	250	200	500	200	1000	6x18	0	500	450	50	414	1000	950	1,779
SCP4 200-400 - 160 kW	250	200	500	200	1000	6x20	0	500	450	50	434	1000	950	1,917
SCP4 200-500 - 185 kW	250	200	500	200	1050	6x20	0	550	500	50	434	1100	1050	2,209
SCP4 200-500 - 200 kW	250	200	500	200	1050	6x20	0	550	500	50	434	1100	1050	2,259
SCP4 200-500 - 250 kW	250	200	500	200	1150	6x20	0	550	500	50	454	1100	1050	2,593
SCP4 200-500 - 315 kW	250	200	500	200	1150	6x20	0	550	500	50	454	1100	1050	2,800
SCP4 200-500 - 355 kW	250	200	500	200	1150	6x20	0	550	500	50	454	1100	1050	2,943
SCP4 250-350 - 75 kW	300	250	500	200	900	6x18	-50	600	500	50	452	1100	1050	1,527
SCP4 250-350 - 90 kW	300	250	500	200	950	6x18	-50	600	500	50	454	1100	1050	1,660
SCP4 250-350 - 110 kW	300	250	500	200	1000	6x18	-50	600	500	50	454	1100	1050	1,835
SCP4 250-350 - 132 kW	300	250	500	200	1000	6x20	-50	600	500	50	474	1100	1050	1,969
SCP4 250-350 - 160 kW	300	250	500	200	1000	6x20	-50	600	500	50	474	1100	1050	2,094

For dimensions not given in the table above, please consult our company.

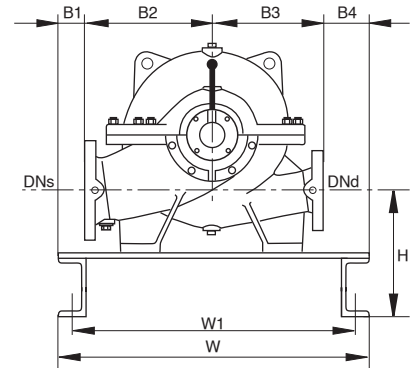
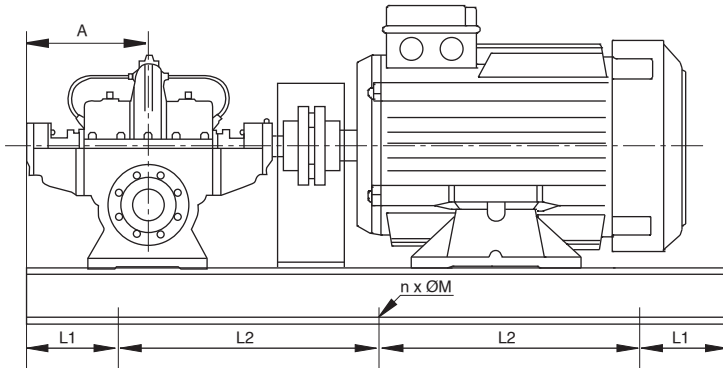
Dimensions and weights of pumps with electric motors



Pump Type	DNs	DNd	A	L1	L2	nxM	B1	B2	B3	B4	H	W	W1	kg
SCP4 250-450 - 200 kW	300	250	500	200	1050	6x20	-50	600	500	50	474	1100	1050	2,339
SCP4 250-450 - 250 kW	300	250	500	200	1150	6x20	-50	600	500	50	494	1100	1050	2,673
SCP4 250-450 - 315 kW	300	250	500	200	1150	6x20	-50	600	500	50	494	1100	1050	2,880
SCP4 250-450 - 355 kW	300	250	500	200	1150	6x20	-50	600	500	50	494	1100	1050	3,023
SCP4 300-315 - 37 kW	350	300	500	200	850	6x16	-50	600	500	50	462	1100	1050	1,248
SCP4 300-315 - 45 kW	350	300	500	200	850	6x16	-50	600	500	50	462	1100	1050	1,293
SCP4 300-315 - 55 kW	350	300	500	200	900	6x16	-50	600	500	50	462	1100	1050	1,386
SCP4 300-315 - 75 kW	350	300	500	200	900	6x18	-50	600	500	50	482	1100	1050	1,527
SCP4 300-315 - 90 kW	350	300	500	200	950	6x18	-50	600	500	50	484	1100	1050	1,660
SCP4 300-400 - 185 kW	400	300	600	200	1150	6x20	-50	700	550	100	474	1300	1250	2,587
SCP4 300-400 - 200 kW	400	300	600	200	1150	6x20	-50	700	550	100	474	1300	1250	2,637
SCP4 300-400 - 250 kW	400	300	600	200	1200	6x20	-50	700	550	100	474	1300	1250	2,941
SCP4 300-400 - 315 kW	400	300	600	200	1200	6x20	-50	700	550	100	474	1300	1250	3,148
SCP4 300-400 - 355 kW	400	300	600	200	1200	6x20	-50	700	550	100	474	1300	1250	3,291
SCP4 350-350 - 110 kW	400	350	615	200	1100	6x20	-50	700	550	100	494	1300	1250	2,157
SCP4 350-350 - 132 kW	400	350	615	200	1150	6x20	-50	700	550	100	494	1300	1250	2,295
SCP4 350-350 - 160 kW	400	350	615	200	1150	6x20	-50	700	550	100	494	1300	1250	2,420
SCP4 350-400 - 185 kW	500	350	650	200	1200	6x20	-50	800	600	150	594	1500	1450	3,047
SCP4 350-400 - 200 kW	500	350	650	200	1200	6x20	-50	800	600	150	594	1500	1450	3,097
SCP4 350-400 - 250 kW	500	350	650	200	1300	6x20	-50	800	600	150	594	1500	1450	3,423
SCP4 350-400 - 315 kW	500	350	650	200	1300	6x20	-50	800	600	150	614	1500	1450	3,650
SCP4 350-400 - 355 kW	500	350	650	200	1300	6x20	-50	800	600	150	614	1500	1450	3,793
SCP4 350-500 - 400 kW	500	350	650	200	1350	6x20	-50	800	600	150	614	1500	1450	4,150
SCP6 65-250 - 1.1 kW	100	65	310	200	350	4x14	-20	320	280	20	225	600	550	220
SCP6 65-250 - 1.5 kW	100	65	310	200	400	4x14	-20	320	280	20	225	600	550	229
SCP6 65-250 - 2.2 kW	100	65	310	200	400	4x14	-20	320	280	20	225	600	550	236
SCP6 65-250 - 3 kW	100	65	310	200	400	4x14	-20	320	280	20	225	600	550	246
SCP6 80-200 - 0.75 kW	125	80	310	200	350	4x14	-20	320	280	20	225	600	550	218
SCP6 80-200 - 1.1 kW	125	80	310	200	350	4x14	-20	320	280	20	225	600	550	220
SCP6 80-200 - 1.5 kW	125	80	310	200	400	4x14	-20	320	280	20	225	600	550	229
SCP6 80-200 - 2.2 kW	125	80	310	200	400	4x14	-20	320	280	20	225	600	550	236
SCP6 80-250 - 3 kW	125	80	310	200	400	4x14	-20	320	280	20	225	600	550	256
SCP6 80-250 - 4 kW	125	80	310	200	450	4x14	-20	320	280	20	225	600	550	267
SCP6 80-250 - 5.5 kW	125	80	310	200	450	4x14	-20	320	280	20	225	600	550	273
SCP6 80-315 - 5.5 kW	125	80	310	200	450	4x14	-10	360	300	50	225	700	650	300
SCP6 80-315 - 7.5 kW	125	80	310	200	500	4x14	-10	360	300	50	246	700	650	382
SCP6 80-315 - 11 kW	125	80	310	200	500	4x14	-10	360	300	50	246	700	650	398
SCP6 100-250 - 2.2 kW	150	100	350	200	450	4x14	-10	360	310	40	250	700	650	300
SCP6 100-250 - 3 kW	150	100	350	200	450	4x14	-10	360	310	40	251	700	650	317
SCP6 100-250 - 4 kW	150	100	350	200	500	4x14	-10	360	310	40	251	700	650	329
SCP6 100-250 - 5.5 kW	150	100	350	200	500	4x14	-10	360	310	40	251	700	650	335
SCP6 100-250 - 7.5 kW	150	100	350	200	550	4x14	-10	360	310	40	271	700	650	410

For dimensions not given in the table above, please consult our company.

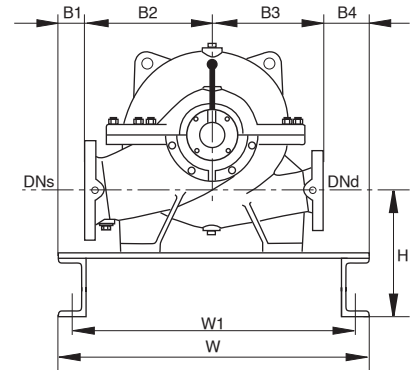
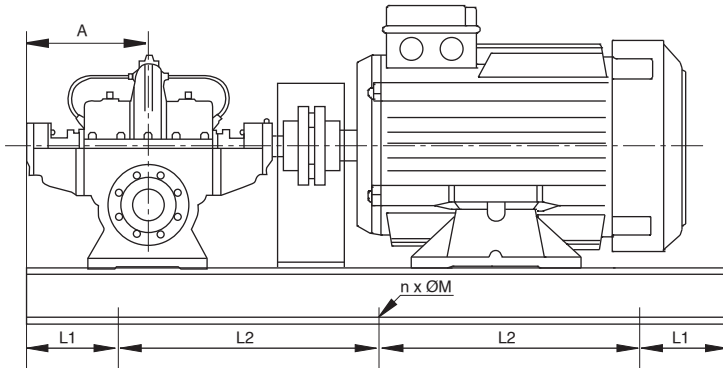
Dimensions and weights of pumps with electric motors



Pump Type	DNs	DNd	A	L1	L2	nxM	B1	B2	B3	B4	H	W	W1	kg
SCP6 100-315 - 4 kW	150	100	350	200	500	4x14	-10	360	310	40	251	700	650	359
SCP6 100-315 - 5.5 kW	150	100	350	200	500	4x14	-10	360	310	40	251	700	650	365
SCP6 100-315 - 7.5 kW	150	100	350	200	550	4x14	-10	360	310	40	271	700	650	440
SCP6 100-315 - 11 kW	150	100	350	200	550	4x14	-10	360	310	40	271	700	650	456
SCP6 100-400 - 7.5 kW	150	100	350	200	550	4x14	-20	420	370	30	271	800	750	467
SCP6 100-400 - 11 kW	150	100	350	200	550	4x16	-20	420	370	30	273	800	750	502
SCP6 100-400 - 15 kW	150	100	350	200	600	4x16	-20	420	370	30	273	800	750	564
SCP6 100-400 - 18.5 kW	150	100	350	200	650	4x16	-20	420	370	30	273	800	750	600
SCP6 125-315 - 5.5 kW	200	125	400	200	550	4x14	-20	420	370	30	286	800	750	434
SCP6 125-315 - 7.5 kW	200	125	400	200	600	4x16	-20	420	370	30	288	800	750	524
SCP6 125-315 - 11 kW	200	125	400	200	650	4x16	-20	420	370	30	288	800	750	547
SCP6 125-350 - 7.5 kW	200	125	400	200	600	4x16	30	470	450	50	288	1000	950	567
SCP6 125-350 - 11 kW	200	125	400	200	650	4x16	30	470	450	50	288	1000	950	591
SCP6 125-350 - 15 kW	200	125	400	200	650	4x16	30	470	450	50	308	1000	950	654
SCP6 125-350 - 18.5 kW	200	125	400	200	700	4x16	30	470	450	50	308	1000	950	691
SCP6 125-450 - 15 kW	200	125	450	200	700	4x16	0	500	450	50	308	1000	950	747
SCP6 125-450 - 18.5 kW	200	125	450	200	750	4x16	0	500	450	50	310	1000	950	814
SCP6 125-450 - 22 kW	200	125	450	200	750	4x16	0	500	450	50	310	1000	950	838
SCP6 125-450 - 30 kW	200	125	450	200	800	6x14	0	500	450	50	310	1000	950	938
SCP6 125-450 - 37 kW	200	125	450	200	800	6x16	0	500	450	50	332	1000	950	1,052
SCP6 125-450 - 45 kW	200	125	450	200	850	6x16	0	500	450	50	332	1000	950	1,194
SCP6 150-315 - 18.5 kW	200	150	450	200	750	4x16	-20	470	400	50	310	900	850	785
SCP6 150-315 - 22 kW	200	150	450	200	750	4x16	-20	470	400	50	310	900	850	809
SCP6 150-315 - 30 kW	200	150	450	200	800	6x14	-20	470	400	50	310	900	850	908
SCP6 150-450 - 30 kW	200	150	450	200	800	6x14	0	500	450	50	312	1000	950	990
SCP6 150-450 - 37 kW	200	150	450	200	800	6x16	0	500	450	50	332	1000	950	1,072
SCP6 150-450 - 45 kW	200	150	450	200	850	6x16	0	500	450	50	332	1000	950	1,214
SCP6 150-450 - 55 kW	200	150	450	200	900	6x16	0	500	450	50	332	1000	950	1,301
SCP6 200-315 - 15 kW	250	200	500	200	800	6x14	0	500	450	50	370	1000	950	875
SCP6 200-315 - 18.5 kW	250	200	500	200	800	6x14	0	500	450	50	370	1000	950	904
SCP6 200-315 - 22 kW	250	200	500	200	800	6x14	0	500	450	50	370	1000	950	928
SCP6 200-315 - 30 kW	250	200	500	200	850	6x16	0	500	450	50	392	1000	950	1,074
SCP6 200-400 - 22 kW	250	200	500	200	800	6x14	0	500	450	50	372	1000	950	1,020
SCP6 200-400 - 30 kW	250	200	500	200	850	6x16	0	500	450	50	392	1000	950	1,134
SCP6 200-400 - 37 kW	250	200	500	200	900	6x16	0	500	450	50	392	1000	950	1,216
SCP6 200-400 - 45 kW	250	200	500	200	900	6x16	0	500	450	50	392	1000	950	1,346
SCP6 200-400 - 55 kW	250	200	500	200	950	6x16	0	500	450	50	412	1000	950	1,444
SCP6 200-500 - 45 kW	250	200	500	200	900	6x18	0	550	500	50	412	1100	1050	1,527
SCP6 200-500 - 55 kW	250	200	500	200	950	6x18	0	550	500	50	414	1100	1050	1,655
SCP6 200-500 - 75 kW	250	200	500	200	1000	6x18	0	550	500	50	414	1100	1050	1,805
SCP6 200-500 - 90 kW	250	200	500	200	1000	6x20	0	550	500	50	434	1100	1050	1,929
SCP6 200-500 - 110 kW	250	200	500	200	1000	6x20	0	550	500	50	434	1100	1050	2,054

For dimensions not given in the table above, please consult our company.

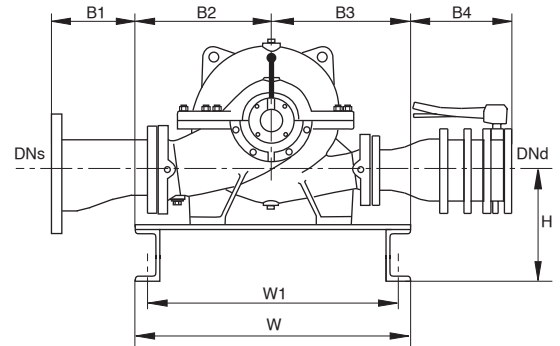
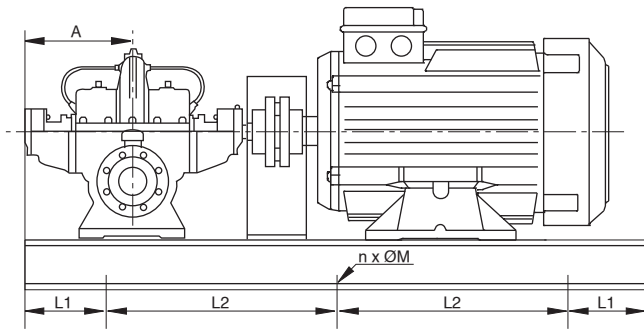
Dimensions and weights of pumps with electric motors



Pump Type	DN _s	DN _d	A	L1	L2	nxM	B1	B2	B3	B4	H	W	W1	kg
SCP6 250-350 - 18.5 kW	300	250	500	200	800	6x16	-50	600	500	50	432	1100	1050	1,176
SCP6 250-350 - 22 kW	300	250	500	200	800	6x16	-50	600	500	50	432	1100	1050	1,200
SCP6 250-350 - 30 kW	300	250	500	200	850	6x16	-50	600	500	50	432	1100	1050	1,303
SCP6 250-350 - 37 kW	300	250	500	200	900	6x16	-50	600	500	50	432	1100	1050	1,386
SCP6 250-350 - 45 kW	300	250	500	200	900	6x18	-50	600	500	50	452	1100	1050	1,527
SCP6 250-450 - 55 kW	300	250	500	200	950	6x18	-50	600	500	50	454	1100	1050	1,735
SCP6 250-450 - 75 kW	300	250	500	200	1000	6x20	-50	600	500	50	474	1100	1050	1,899
SCP6 250-450 - 90 kW	300	250	500	200	1000	6x20	-50	600	500	50	474	1100	1050	2,009
SCP6 250-450 - 110 kW	300	250	500	200	1000	6x20	-50	600	500	50	474	1100	1050	2,134
SCP6 250-600 - 185 kW	300	250	540	200	1200	6x20	-50	650	550	50	494	1200	1150	3,130
SCP6 250-600 - 200 kW	300	250	540	200	1200	6x20	-50	650	550	50	494	1200	1150	3,220
SCP6 250-600 - 250 kW	300	250	540	200	1200	6x20	-50	650	550	50	494	1200	1150	3,400
SCP6 300-315 - 11 kW	350	300	500	200	750	4x18	-50	600	500	50	462	1100	1050	1,078
SCP6 300-315 - 15 kW	350	300	500	200	800	6x16	-50	600	500	50	462	1100	1050	1,147
SCP6 300-315 - 18.5 kW	350	300	500	200	800	6x16	-50	600	500	50	462	1100	1050	1,176
SCP6 300-315 - 22 kW	350	300	500	200	800	6x16	-50	600	500	50	462	1100	1050	1,200
SCP6 300-315 - 30 kW	350	300	500	200	850	6x16	-50	600	500	50	462	1100	1050	1,303
SCP6 300-400 - 45 kW	400	300	600	200	1000	6x20	-50	700	550	100	434	1300	1250	1,918
SCP6 300-400 - 55 kW	400	300	600	200	1000	6x20	-50	700	550	100	454	1300	1250	2,006
SCP6 300-400 - 75 kW	400	300	600	200	1050	6x20	-50	700	550	100	454	1300	1250	2,159
SCP6 300-400 - 90 kW	400	300	600	200	1100	6x20	-50	700	550	100	454	1300	1250	2,287
SCP6 300-400 - 110 kW	400	300	600	200	1100	6x20	-50	700	550	100	454	1300	1250	2,412
SCP6 300-500 - 160 kW	400	300	550	200	1200	6x20	-50	700	550	100	554	1300	1250	3,371
SCP6 300-500 - 185 kW	400	300	550	200	1200	6x20	-50	700	550	100	554	1300	1250	3,471
SCP6 300-500 - 200 kW	400	300	550	200	1200	6x20	-50	700	550	100	574	1300	1250	3,579
SCP6 300-700 - 200 kW	400	300	550	200	1200	6x20	-50	850	700	100	524	1600	1550	3,971
SCP6 300-700 - 250 kW	400	300	550	200	1200	6x20	-50	850	700	100	524	1600	1550	4,151
SCP6 300-700 - 315 kW	400	300	550	200	1250	6x20	-50	850	700	100	524	1600	1550	4,553
SCP6 350-350 - 22 kW	400	350	615	200	950	6x16	-50	700	550	100	472	1300	1250	1,513
SCP6 350-350 - 30 kW	400	350	615	200	950	6x18	-50	700	550	100	472	1300	1250	1,603
SCP6 350-350 - 37 kW	400	350	615	200	1000	6x18	-50	700	550	100	474	1300	1250	1,738
SCP6 350-350 - 45 kW	400	350	615	200	1050	6x18	-50	700	550	100	474	1300	1250	1,885
SCP6 350-400 - 45 kW	500	350	650	200	1100	6x20	-50	800	600	150	574	1500	1450	2,404
SCP6 350-400 - 55 kW	500	350	650	200	1100	6x20	-50	800	600	150	574	1500	1450	2,479
SCP6 350-400 - 75 kW	500	350	650	200	1150	6x20	-50	800	600	150	594	1500	1450	2,651
SCP6 350-400 - 90 kW	500	350	650	200	1200	6x20	-50	800	600	150	594	1500	1450	2,782
SCP6 350-400 - 110 kW	500	350	650	200	1200	6x20	-50	800	600	150	594	1500	1450	2,907
SCP6 350-500 - 160 kW	500	350	650	200	1300	6x20	-50	800	600	150	594	1500	1450	3,493
SCP6 350-500 - 185 kW	500	350	650	200	1300	6x20	-50	800	600	150	594	1500	1450	3,593
SCP6 350-500 - 200 kW	500	350	650	200	1300	6x20	-50	800	600	150	614	1500	1450	3,703
SCP6 350-500 - 250 kW	500	350	650	200	1300	6x20	-50	800	600	150	614	1500	1450	3,883

For dimensions not given in the table above, please consult our company.

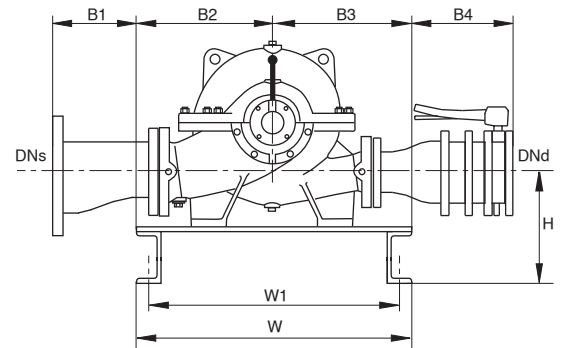
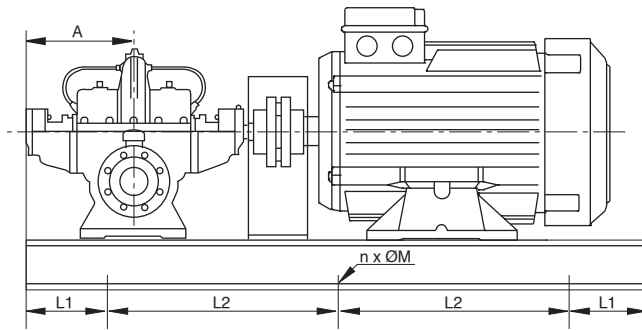
Dimensions and weights of pumping units with electric motors



Pump	DNs	DNd	A	L1	L2	nxM	B1	B2	B3	B4	H	W	W1	kg
SCP 65-250 - 37 kW	125	80	310	200	600	4x16	151	320	280	245	248	600	550	507
SCP 65-250 - 45 kW	125	80	310	200	600	4x16	151	320	280	245	248	600	550	582
SCP 65-250 - 55 kW	125	80	310	200	650	4x16	151	320	280	245	268	600	550	670
SCP 65-250 - 75 kW	125	80	310	200	700	4x16	201	320	280	295	270	700	650	856
SCP 65-250 - 90 kW	125	80	310	200	700	4x16	201	320	280	295	272	700	650	926
SCP 80-200 - 37 kW	150	100	310	200	600	4x16	166	320	280	364	248	600	550	511
SCP 80-200 - 45 kW	150	100	310	200	600	4x16	166	320	280	364	248	600	550	586
SCP 80-200 - 55 kW	150	100	310	200	650	4x16	166	320	280	364	268	600	550	674
SCP 80-200 - 75 kW	150	100	310	200	700	4x16	216	320	280	414	270	700	650	860
SCP 80-250 - 75 kW	150	100	310	200	700	4x16	216	320	280	414	270	700	650	870
SCP 80-250 - 90 kW	150	100	310	200	700	4x16	216	320	280	414	272	700	650	940
SCP 80-250 - 110 kW	150	100	310	200	750	4x20	266	320	280	464	292	800	750	1,175
SCP 100-250 - 110 kW	200	125	350	200	800	6x16	242	360	310	476	317	800	750	1,239
SCP 100-250 - 132 kW	200	125	350	200	800	6x16	242	360	310	476	337	800	750	1,357
SCP 100-250 - 160 kW	200	125	350	200	800	6x18	242	360	310	476	337	800	750	1,482
SCP 100-315 - 132 kW	200	125	350	200	800	6x16	242	360	310	476	337	800	750	1,387
SCP 100-315 - 160 kW	200	125	350	200	800	6x18	242	360	310	476	339	800	750	1,537
SCP 100-315 - 185 kW	200	125	350	200	850	6x18	242	360	310	476	339	800	750	1,649
SCP 125-315 - 160 kW	250	150	400	200	900	6x18	212	420	370	466	354	800	750	1,625
SCP 125-315 - 185 kW	250	150	400	200	900	6x18	212	420	370	466	354	800	750	1,725
SCP 125-315 - 200 kW	250	150	400	200	900	6x18	212	420	370	466	354	800	750	1,755
SCP 125-315 - 250 kW	250	150	400	200	1000	6x20	262	420	370	516	374	900	850	1,978
SCP4 65-250 - 4 kW	125	80	310	200	400	4x14	151	320	280	245	225	600	550	254
SCP4 65-250 - 5.5 kW	125	80	310	200	400	4x14	151	320	280	245	225	600	550	264
SCP4 65-250 - 7.5 kW	125	80	310	200	450	4x14	151	320	280	245	225	600	550	276
SCP4 65-250 - 11 kW	125	80	310	200	500	4x14	151	320	280	245	226	600	550	347
SCP4 80-200 - 3 kW	150	100	310	200	400	4x14	166	320	280	364	225	600	550	250
SCP4 80-200 - 4 kW	150	100	310	200	400	4x14	166	320	280	364	225	600	550	258
SCP4 80-200 - 5.5 kW	150	100	310	200	400	4x14	166	320	280	364	225	600	550	268
SCP4 80-200 - 7.5 kW	150	100	310	200	450	4x14	166	320	280	364	225	600	550	280
SCP4 80-250 - 7.5 kW	150	100	310	200	450	4x14	166	320	280	364	225	600	550	290
SCP4 80-250 - 11 kW	150	100	310	200	500	4x14	166	320	280	364	226	600	550	361
SCP4 80-250 - 15 kW	150	100	310	200	500	4x14	166	320	280	364	246	600	550	397
SCP4 80-315 - 18.5 kW	150	100	310	200	550	4x14	176	360	300	394	246	700	650	451
SCP4 80-315 - 22 kW	150	100	310	200	550	4x14	176	360	300	394	246	700	650	476
SCP4 80-315 - 30 kW	150	100	310	200	600	4x16	176	360	300	394	248	700	650	553
SCP4 100-250 - 7.5 kW	200	125	350	200	500	4x14	192	360	310	426	251	700	650	360
SCP4 100-250 - 11 kW	200	125	350	200	550	4x14	192	360	310	426	271	700	650	431
SCP4 100-250 - 15 kW	200	125	350	200	550	4x14	192	360	310	426	271	700	650	463
SCP4 100-250 - 18.5 kW	200	125	350	200	600	4x14	192	360	310	426	271	700	650	488
SCP4 100-250 - 22 kW	200	125	350	200	600	4x16	192	360	310	426	273	700	650	530
SCP4 100-315 - 18.5 kW	200	125	350	200	600	4x16	192	360	310	426	273	700	650	535
SCP4 100-315 - 22 kW	200	125	350	200	600	4x16	192	360	310	426	273	700	650	560
SCP4 100-315 - 30 kW	200	125	350	200	650	4x16	192	360	310	426	273	700	650	621

For dimensions not given in the table above, please consult our company.

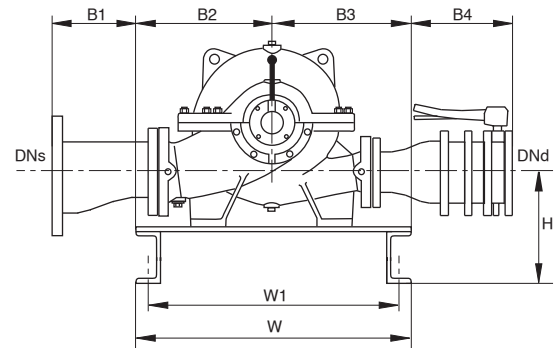
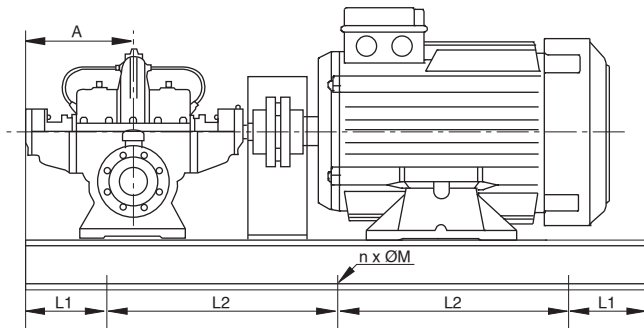
Dimensions and weights of pumping units with electric motors



Pump	DNs	DNd	A	L1	L2	nxM	B1	B2	B3	B4	H	W	W1	kg
SCP4 100-400 - 30 kW	200	125	350	200	650	4x16	182	420	370	416	293	800	750	659
SCP4 100-400 - 37 kW	200	125	350	200	650	4x16	182	420	370	416	293	800	750	694
SCP4 100-400 - 45 kW	200	125	350	200	650	4x16	182	420	370	416	293	800	750	739
SCP4 100-400 - 55 kW	200	125	350	200	700	4x16	182	420	370	416	295	800	750	848
SCP4 125-315 - 30 kW	250	150	400	200	700	4x16	212	420	370	466	308	800	750	710
SCP4 125-315 - 37 kW	250	150	400	200	700	4x16	212	420	370	466	308	800	750	745
SCP4 125-315 - 45 kW	250	150	400	200	750	4x16	212	420	370	466	310	800	750	821
SCP4 125-350 - 37 kW	250	150	400	200	700	4x16	262	470	450	486	308	1000	950	790
SCP4 125-350 - 45 kW	250	150	400	200	750	4x16	262	470	450	486	310	1000	950	873
SCP4 125-350 - 55 kW	250	150	400	200	750	4x16	262	470	450	486	310	1000	950	953
SCP4 125-350 - 75 kW	250	150	400	200	800	6x16	262	470	450	486	332	1000	950	1,137
SCP4 125-450 - 45 kW	250	150	450	200	800	6x14	232	500	450	486	310	1000	950	968
SCP4 125-450 - 55 kW	250	150	450	200	800	6x16	232	500	450	486	332	1000	950	1,092
SCP4 125-450 - 75 kW	250	150	450	200	850	6x16	232	500	450	486	332	1000	950	1,234
SCP4 125-450 - 90 kW	250	150	450	200	900	6x16	232	500	450	486	332	1000	950	1,326
SCP4 125-450 - 110 kW	250	150	450	200	950	6x16	232	500	450	486	352	1000	950	1,509
SCP4 125-450 - 132 kW	250	150	450	200	950	6x18	232	500	450	486	354	1000	950	1,665
SCP4 150-315 - 55 kW	250	200	450	200	800	6x14	212	470	400	568	312	900	850	1,046
SCP4 150-315 - 75 kW	250	200	450	200	850	6x16	212	470	400	568	332	900	850	1,199
SCP4 150-315 - 90 kW	250	200	450	200	900	6x16	212	470	400	568	332	900	850	1,290
SCP4 150-450 - 110 kW	250	200	450	200	950	6x18	232	500	450	568	352	1000	950	1,529
SCP4 150-450 - 132 kW	250	200	450	200	950	6x18	232	500	450	568	354	1000	950	1,685
SCP4 150-450 - 160 kW	250	200	450	200	950	6x18	232	500	450	568	354	1000	950	1,810
SCP4 150-450 - 185 kW	250	200	450	200	1000	6x20	232	500	450	568	374	1000	950	1,937
SCP4 200-315 - 37 kW	300	250	500	200	850	6x14	263	500	450	637	372	1000	950	1,076
SCP4 200-315 - 45 kW	300	250	500	200	850	6x16	263	500	450	637	392	1000	950	1,134
SCP4 200-315 - 55 kW	300	250	500	200	900	6x16	263	500	450	637	392	1000	950	1,226
SCP4 200-315 - 75 kW	300	250	500	200	900	6x16	263	500	450	637	392	1000	950	1,356
SCP4 200-400 - 90 kW	300	250	500	200	950	6x16	263	500	450	637	412	1000	950	1,519
SCP4 200-400 - 110 kW	300	250	500	200	1000	6x18	263	500	450	637	414	1000	950	1,729
SCP4 200-400 - 132 kW	300	250	500	200	1000	6x18	263	500	450	637	414	1000	950	1,849
SCP4 200-400 - 160 kW	300	250	500	200	1000	6x20	263	500	450	637	434	1000	950	1,987
SCP4 200-500 - 185 kW	300	250	500	200	1050	6x20	263	550	500	637	434	1100	1050	2,279
SCP4 200-500 - 200 kW	300	250	500	200	1050	6x20	263	550	500	637	434	1100	1050	2,329
SCP4 200-500 - 250 kW	300	250	500	200	1150	6x20	263	550	500	637	454	1100	1050	2,663
SCP4 200-500 - 315 kW	300	250	500	200	1150	6x20	263	550	500	637	454	1100	1050	2,870
SCP4 200-500 - 355 kW	300	250	500	200	1150	6x20	263	550	500	637	454	1100	1050	3,013
SCP4 250-350 - 75 kW	350	300	500	200	900	6x18	347	600	500	641	452	1100	1050	1,642
SCP4 250-350 - 90 kW	350	300	500	200	950	6x18	347	600	500	641	454	1100	1050	1,775
SCP4 250-350 - 110 kW	350	300	500	200	1000	6x18	347	600	500	641	454	1100	1050	1,950
SCP4 250-350 - 132 kW	350	300	500	200	1000	6x20	347	600	500	641	474	1100	1050	2,084
SCP4 250-350 - 160 kW	350	300	500	200	1000	6x20	347	600	500	641	474	1100	1050	2,209

For dimensions not given in the table above, please consult our company.

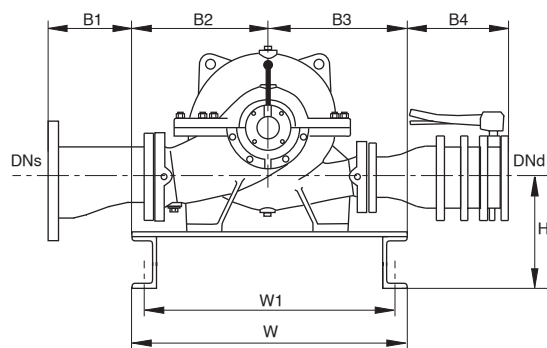
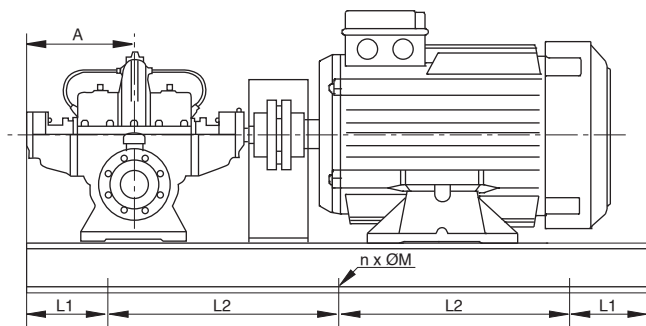
Dimensions and weights of pumping units with electric motors



Pump	DN _s	DN _d	A	L1	L2	nxM	B1	B2	B3	B4	H	W	W1	kg
SCP4 250-450 - 200 kW	350	300	500	200	1050	6x20	347	600	500	641	474	1100	1050	2,454
SCP4 250-450 - 250 kW	350	300	500	200	1150	6x20	347	600	500	641	494	1100	1050	2,788
SCP4 250-450 - 315 kW	350	300	500	200	1150	6x20	347	600	500	641	494	1100	1050	2,995
SCP4 250-450 - 355 kW	350	300	500	200	1150	6x20	347	600	500	641	494	1100	1050	3,138
SCP4 300-315 - 37 kW	400	350	500	200	850	6x16	443	600	500	870	462	1100	1050	1,448
SCP4 300-315 - 45 kW	400	350	500	200	850	6x16	443	600	500	870	462	1100	1050	1,493
SCP4 300-315 - 55 kW	400	350	500	200	900	6x16	443	600	500	870	462	1100	1050	1,586
SCP4 300-315 - 75 kW	400	350	500	200	900	6x18	443	600	500	870	482	1100	1050	1,727
SCP4 300-315 - 90 kW	400	350	500	200	950	6x18	443	600	500	870	484	1100	1050	1,860
SCP4 300-400 - 185 kW	500	350	600	200	1150	6x20	-50	700	550	920	474	1300	1250	2,857
SCP4 300-400 - 200 kW	500	350	600	200	1150	6x20	-50	700	550	920	474	1300	1250	2,907
SCP4 300-400 - 250 kW	500	350	600	200	1200	6x20	-50	700	550	920	474	1300	1250	3,211
SCP4 300-400 - 315 kW	500	350	600	200	1200	6x20	-50	700	550	920	474	1300	1250	3,418
SCP4 300-400 - 355 kW	500	350	600	200	1200	6x20	-50	700	550	920	474	1300	1250	3,561
SCP4 350-350 - 110 kW	500	400	615	200	1100	6x20	-50	700	550	1057	494	1300	1250	2,427
SCP4 350-350 - 132 kW	500	400	615	200	1150	6x20	-50	700	550	1057	494	1300	1250	2,565
SCP4 350-350 - 160 kW	500	400	615	200	1150	6x20	-50	700	550	1057	494	1300	1250	2,690
SCP4 350-400 - 185 kW	600	400	650	200	1200	6x20	-50	800	600	1107	594	1500	1450	3,447
SCP4 350-400 - 200 kW	600	400	650	200	1200	6x20	-50	800	600	1107	594	1500	1450	3,497
SCP4 350-400 - 250 kW	600	400	650	200	1300	6x20	-50	800	600	1107	594	1500	1450	3,823
SCP4 350-400 - 315 kW	600	400	650	200	1300	6x20	-50	800	600	1107	614	1500	1450	4,050
SCP4 350-400 - 355 kW	600	400	650	200	1300	6x20	-50	800	600	1107	614	1500	1450	4,193
SCP4 350-500 - 400 kW	600	400	650	200	1350	6x20	-50	800	600	1107	614	1500	1450	4,550
SCP6 65-250 - 1.1 kW	125	80	310	200	350	4x14	151	320	280	245	225	600	550	235
SCP6 65-250 - 1.5 kW	125	80	310	200	400	4x14	151	320	280	245	225	600	550	244
SCP6 65-250 - 2.2 kW	125	80	310	200	400	4x14	151	320	280	245	225	600	550	251
SCP6 65-250 - 3 kW	125	80	310	200	400	4x14	151	320	280	245	225	600	550	261
SCP6 80-200 - 0.75 kW	150	100	310	200	350	4x14	166	320	280	364	225	600	550	237
SCP6 80-200 - 1.1 kW	150	100	310	200	350	4x14	166	320	280	364	225	600	550	239
SCP6 80-200 - 1.5 kW	150	100	310	200	400	4x14	166	320	280	364	225	600	550	248
SCP6 80-200 - 2.2 kW	150	100	310	200	400	4x14	166	320	280	364	225	600	550	255
SCP6 80-250 - 3 kW	150	100	310	200	400	4x14	166	320	280	364	225	600	550	275
SCP6 80-250 - 4 kW	150	100	310	200	450	4x14	166	320	280	364	225	600	550	286
SCP6 80-250 - 5.5 kW	150	100	310	200	450	4x14	166	320	280	364	225	600	550	292
SCP6 80-315 - 5.5 kW	150	100	310	200	450	4x14	176	360	300	394	225	700	650	319
SCP6 80-315 - 7.5 kW	150	100	310	200	500	4x14	176	360	300	394	246	700	650	401
SCP6 80-315 - 11 kW	150	100	310	200	500	4x14	176	360	300	394	246	700	650	417
SCP6 100-250 - 2.2 kW	200	125	350	200	450	4x14	192	360	310	426	250	700	650	328
SCP6 100-250 - 3 kW	200	125	350	200	450	4x14	192	360	310	426	251	700	650	345
SCP6 100-250 - 4 kW	200	125	350	200	500	4x14	192	360	310	426	251	700	650	357
SCP6 100-250 - 5.5 kW	200	125	350	200	500	4x14	192	360	310	426	251	700	650	363

For dimensions not given in the table above, please consult our company.

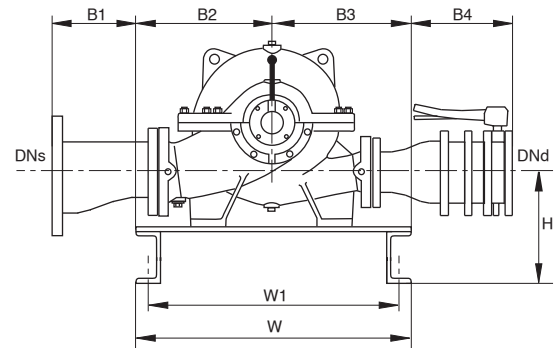
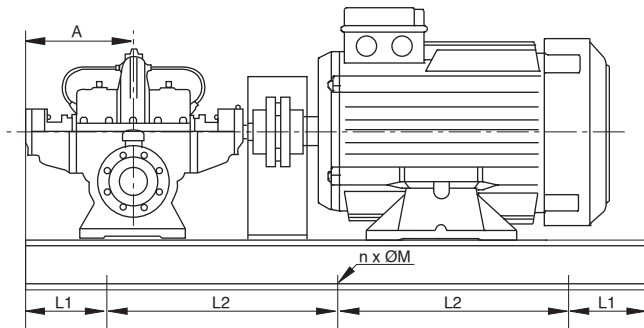
Dimensions and weights of pumping units with electric motors



Pump	DN _s	DN _d	A	L1	L2	nxM	B1	B2	B3	B4	H	W	W1	kg
SCP6 100-250 - 7.5 kW	200	125	350	200	550	4x14	192	360	310	426	271	700	650	438
SCP6 100-315 - 4 kW	200	125	350	200	500	4x14	192	360	310	426	251	700	650	387
SCP6 100-315 - 5.5 kW	200	125	350	200	500	4x14	192	360	310	426	251	700	650	393
SCP6 100-315 - 7.5 kW	200	125	350	200	550	4x14	192	360	310	426	271	700	650	468
SCP6 100-315 - 11 kW	200	125	350	200	550	4x14	192	360	310	426	271	700	650	484
SCP6 100-400 - 7.5 kW	200	125	350	200	550	4x14	182	420	370	416	271	800	750	495
SCP6 100-400 - 11 kW	200	125	350	200	550	4x16	182	420	370	416	273	800	750	530
SCP6 100-400 - 15 kW	200	125	350	200	600	4x16	182	420	370	416	273	800	750	592
SCP6 100-400 - 18.5 kW	200	125	350	200	650	4x16	182	420	370	416	273	800	750	628
SCP6 125-315 - 5.5 kW	250	150	400	200	550	4x14	212	420	370	466	286	800	750	474
SCP6 125-315 - 7.5 kW	250	150	400	200	600	4x16	212	420	370	466	288	800	750	564
SCP6 125-315 - 11 kW	250	150	400	200	650	4x16	212	420	370	466	288	800	750	587
SCP6 125-350 - 7.5 kW	250	150	400	200	600	4x16	262	470	450	486	288	1000	950	607
SCP6 125-350 - 11 kW	250	150	400	200	650	4x16	262	470	450	486	288	1000	950	631
SCP6 125-350 - 15 kW	250	150	400	200	650	4x16	262	470	450	486	308	1000	950	694
SCP6 125-350 - 18.5 kW	250	150	400	200	700	4x16	262	470	450	486	308	1000	950	731
SCP6 125-450 - 15 kW	250	150	450	200	700	4x16	232	500	450	486	308	1000	950	787
SCP6 125-450 - 18.5 kW	250	150	450	200	750	4x16	232	500	450	486	310	1000	950	854
SCP6 125-450 - 22 kW	250	150	450	200	750	4x16	232	500	450	486	310	1000	950	878
SCP6 125-450 - 30 kW	250	150	450	200	800	6x14	232	500	450	486	310	1000	950	978
SCP6 125-450 - 37 kW	250	150	450	200	800	6x16	232	500	450	486	332	1000	950	1,092
SCP6 125-450 - 45 kW	250	150	450	200	850	6x16	232	500	450	486	332	1000	950	1,234
SCP6 150-315 - 18.5 kW	250	200	450	200	750	4x16	212	470	400	568	310	900	850	825
SCP6 150-315 - 22 kW	250	200	450	200	750	4x16	212	470	400	568	310	900	850	849
SCP6 150-315 - 30 kW	250	200	450	200	800	6x14	212	470	400	568	310	900	850	948
SCP6 150-450 - 30 kW	250	200	450	200	800	6x14	232	500	450	568	312	1000	950	1,030
SCP6 150-450 - 37 kW	250	200	450	200	800	6x16	232	500	450	568	332	1000	950	1,112
SCP6 150-450 - 45 kW	250	200	450	200	850	6x16	232	500	450	568	332	1000	950	1,254
SCP6 150-450 - 55 kW	250	200	450	200	900	6x16	232	500	450	568	332	1000	950	1,341
SCP6 200-315 - 15 kW	300	250	500	200	800	6x14	263	500	450	637	370	1000	950	945
SCP6 200-315 - 18.5 kW	300	250	500	200	800	6x14	263	500	450	637	370	1000	950	974
SCP6 200-315 - 22 kW	300	250	500	200	800	6x14	263	500	450	637	370	1000	950	998
SCP6 200-315 - 30 kW	300	250	500	200	850	6x16	263	500	450	637	392	1000	950	1,144
SCP6 200-400 - 22 kW	300	250	500	200	800	6x14	263	500	450	637	372	1000	950	1,090
SCP6 200-400 - 30 kW	300	250	500	200	850	6x16	263	500	450	637	392	1000	950	1,204
SCP6 200-400 - 37 kW	300	250	500	200	900	6x16	263	500	450	637	392	1000	950	1,286
SCP6 200-400 - 45 kW	300	250	500	200	900	6x16	263	500	450	637	392	1000	950	1,416
SCP6 200-400 - 55 kW	300	250	500	200	950	6x16	263	500	450	637	412	1000	950	1,514
SCP6 200-500 - 45 kW	300	250	500	200	900	6x18	263	550	500	637	412	1100	1050	1,597
SCP6 200-500 - 55 kW	300	250	500	200	950	6x18	263	550	500	637	414	1100	1050	1,725
SCP6 200-500 - 75 kW	300	250	500	200	1000	6x18	263	550	500	637	414	1100	1050	1,875

For dimensions not given in the table above, please consult our company.

Dimensions and weights of pumping units with electric motors



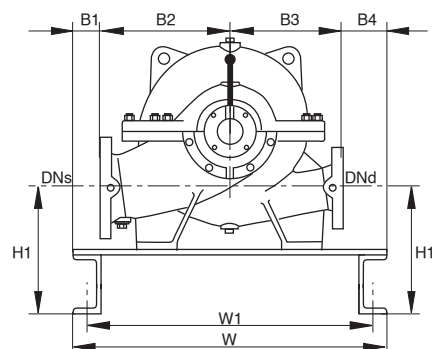
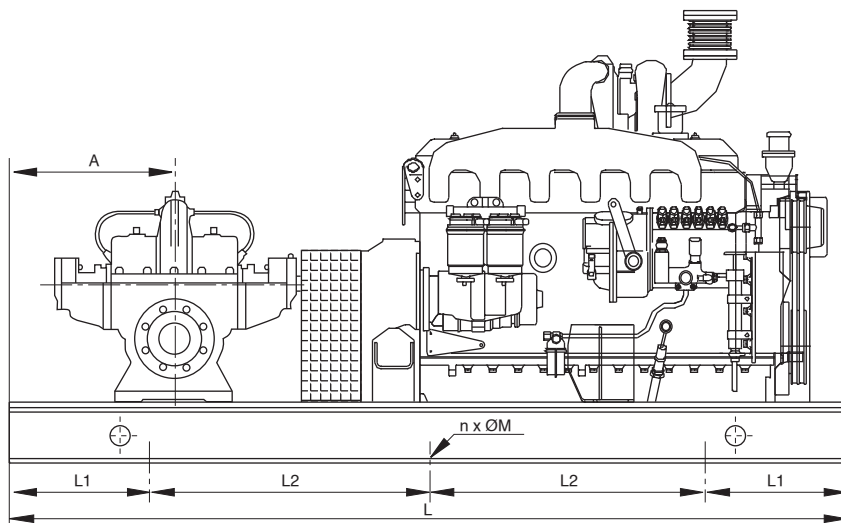
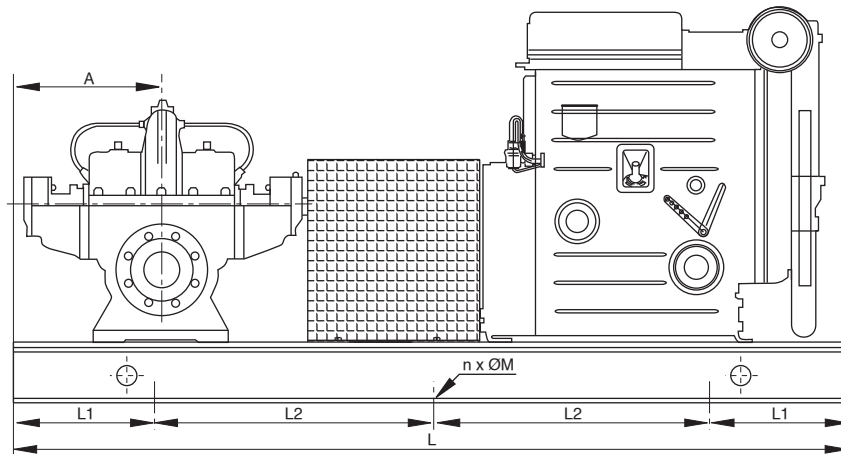
Pump	DNs	DNd	A	L1	L2	nxM	B1	B2	B3	B4	H	W	W1	kg
SCP6 200-500 - 90 kW	300	250	500	200	1000	6x20	263	550	500	637	434	1100	1050	1,999
SCP6 200-500 - 110 kW	300	250	500	200	1000	6x20	263	550	500	637	434	1100	1050	2,124
SCP6 250-350 - 18.5 kW	350	300	500	200	800	6x16	347	600	500	641	432	1100	1050	1,291
SCP6 250-350 - 22 kW	350	300	500	200	800	6x16	347	600	500	641	432	1100	1050	1,315
SCP6 250-350 - 30 kW	350	300	500	200	850	6x16	347	600	500	641	432	1100	1050	1,418
SCP6 250-350 - 37 kW	350	300	500	200	900	6x16	347	600	500	641	432	1100	1050	1,501
SCP6 250-350 - 45 kW	350	300	500	200	900	6x18	347	600	500	641	452	1100	1050	1,642
SCP6 250-450 - 55 kW	350	300	500	200	950	6x18	347	600	500	641	454	1100	1050	1,850
SCP6 250-450 - 75 kW	350	300	500	200	1000	6x20	347	600	500	641	474	1100	1050	2,014
SCP6 250-450 - 90 kW	350	300	500	200	1000	6x20	347	600	500	641	474	1100	1050	2,124
SCP6 250-600 - 185 kW	350	300	540	200	1200	6x20	347	650	550	641	494	1200	1150	3,245
SCP6 250-600 - 200 kW	350	300	540	200	1200	6x20	347	650	550	641	494	1200	1150	3,335
SCP6 250-600 - 250 kW	350	300	540	200	1200	6x20	347	650	550	641	494	1200	1150	3,515
SCP6 300-315 - 11 kW	400	350	500	200	750	4x18	443	600	500	870	462	1100	1050	1,278
SCP6 300-315 - 15 kW	400	350	500	200	800	6x16	443	600	500	870	462	1100	1050	1,347
SCP6 300-315 - 18.5 kW	400	350	500	200	800	6x16	443	600	500	870	462	1100	1050	1,376
SCP6 300-315 - 22 kW	400	350	500	200	800	6x16	443	600	500	870	462	1100	1050	1,400
SCP6 300-315 - 30 kW	400	350	500	200	850	6x16	443	600	500	870	462	1100	1050	1,503
SCP6 300-400 - 45 kW	500	350	600	200	1000	6x20	-50	700	550	920	434	1300	1250	2,188
SCP6 300-400 - 55 kW	500	350	600	200	1000	6x20	-50	700	550	920	454	1300	1250	2,276
SCP6 300-400 - 75 kW	500	350	600	200	1050	6x20	-50	700	550	920	454	1300	1250	2,429
SCP6 300-400 - 90 kW	500	350	600	200	1100	6x20	-50	700	550	920	454	1300	1250	2,557
SCP6 300-400 - 110 kW	500	350	600	200	1100	6x20	-50	700	550	920	454	1300	1250	2,682
SCP6 300-500 - 160 kW	500	350	550	200	1200	6x20	-50	700	550	920	554	1300	1250	3,641
SCP6 300-500 - 185 kW	500	350	550	200	1200	6x20	-50	700	550	920	554	1300	1250	3,741
SCP6 300-500 - 200 kW	500	350	550	200	1200	6x20	-50	700	550	920	574	1300	1250	3,849
SCP6 300-700 - 200 kW	500	350	550	200	1200	6x20	-50	850	700	920	524	1600	1550	4,241
SCP6 300-700 - 250 kW	500	350	550	200	1200	6x20	-50	850	700	920	524	1600	1550	4,421
SCP6 300-700 - 315 kW	500	350	550	200	1250	6x20	-50	850	700	920	524	1600	1550	4,823
SCP6 350-350 - 22 kW	500	400	615	200	950	6x16	-50	700	550	1057	472	1300	1250	1,783
SCP6 350-350 - 30 kW	500	400	615	200	950	6x18	-50	700	550	1057	472	1300	1250	1,873
SCP6 350-350 - 37 kW	500	400	615	200	1000	6x18	-50	700	550	1057	474	1300	1250	2,008
SCP6 350-350 - 45 kW	500	400	615	200	1050	6x18	-50	700	550	1057	474	1300	1250	2,155
SCP6 350-400 - 45 kW	600	400	650	200	1100	6x20	-50	800	600	1107	574	1500	1450	2,804
SCP6 350-400 - 55 kW	600	400	650	200	1100	6x20	-50	800	600	1107	574	1500	1450	2,879
SCP6 350-400 - 75 kW	600	400	650	200	1150	6x20	-50	800	600	1107	594	1500	1450	3,051
SCP6 350-400 - 90 kW	600	400	650	200	1200	6x20	-50	800	600	1107	594	1500	1450	3,182
SCP6 350-400 - 110 kW	600	400	650	200	1200	6x20	-50	800	600	1107	594	1500	1450	3,307
SCP6 350-500 - 160 kW	600	400	650	200	1300	6x20	-50	800	600	1107	594	1500	1450	3,893
SCP6 350-500 - 185 kW	600	400	650	200	1300	6x20	-50	800	600	1107	594	1500	1450	3,993
SCP6 350-500 - 200 kW	600	400	650	200	1300	6x20	-50	800	600	1107	614	1500	1450	4,103
SCP6 350-500 - 250 kW	600	400	650	200	1300	6x20	-50	800	600	1107	614	1500	1450	4,283

For dimensions not given in the table above, please consult our company.

SCP, SCP4, SCP6 Horizontal Split Case Centrifugal Pumps



Dimensions and weights of diesel engine driven pumps

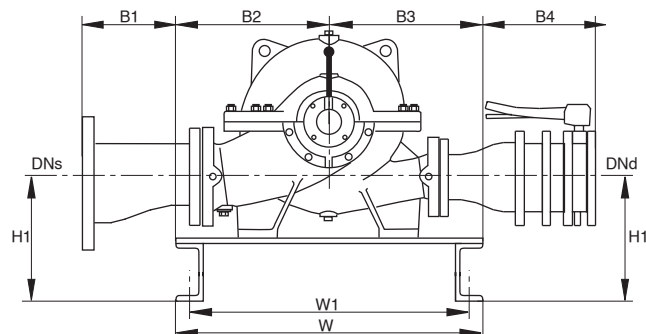
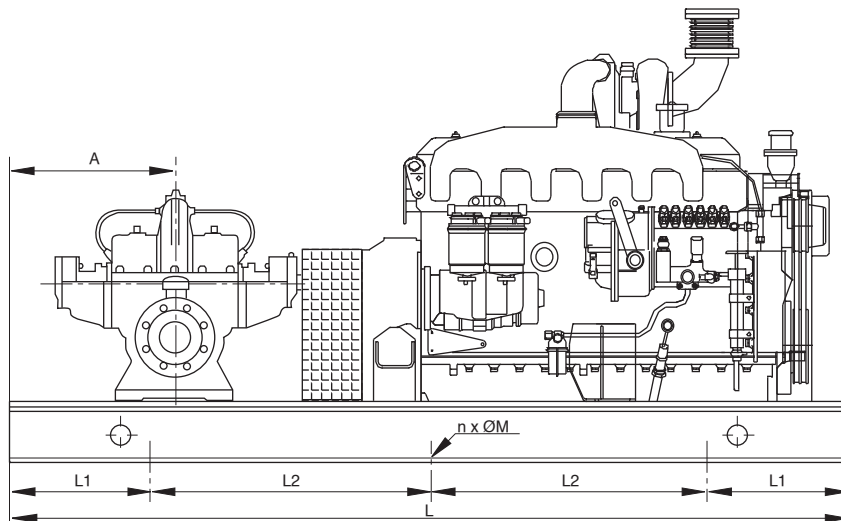
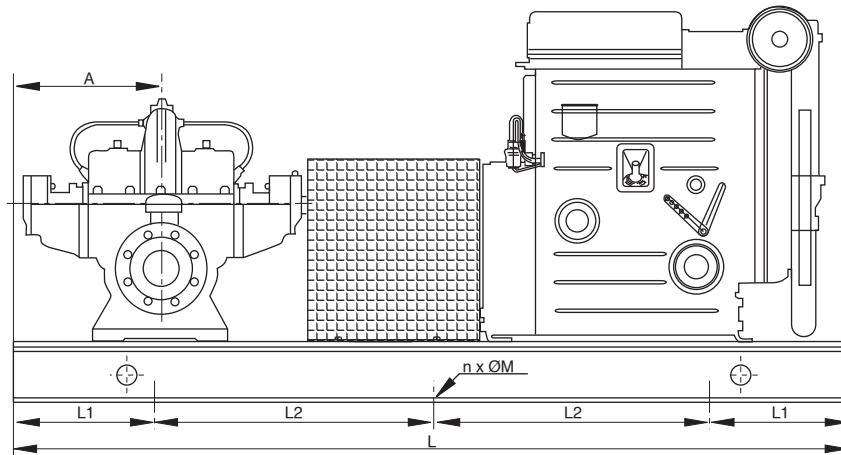


Dimensions and weights of diesel engine driven pumps

Pump type	DNs	DNd	L	L1	L2	A	W	W1	H1	B1	B2	B3	B4	n x M	kg
SCP 65/250 - HATZ 2G40	100	65	1500	200	550	310	650	610	408	5	320	280	45	6 X 14	280
SCP 65/250 - HATZ 3M41	100	65	1700	200	650	310	650	605	430	5	320	280	45	6 X 14	477
SCP 65/250 - HATZ 4M41	100	65	1800	200	700	310	650	605	430	5	320	280	45	6 X 14	521
SCP 65/250 - IVECO 8041i40	100	65	1900	200	750	310	650	605	430	5	320	280	45	6 X 14	653
SCP 65/250 - IVECO 8061i40	100	65	2000	200	800	310	650	600	450	5	320	280	45	6 X 16	816
SCP 80/250 - HATZ 2G40	125	80	1500	200	550	310	650	605	428	5	320	280	45	6 X 14	333
SCP 80/250 - HATZ 2M41	125	80	1500	200	550	310	650	605	428	5	320	280	45	6 X 14	459
SCP 80/250 - HATZ 3M41	125	80	1700	200	650	310	650	605	430	5	320	280	45	6 X 14	522
SCP 80/250 - HATZ 4M41	125	80	1800	200	700	310	650	605	430	5	320	280	45	6 X 14	566
SCP 80/250 - IVECO 8041i40	125	80	1900	200	750	310	650	605	430	5	320	280	45	6 X 14	698
SCP 80/250 - IVECO 8061i40	125	80	2000	200	800	310	650	600	450	5	320	280	45	6 X 16	861
SCP 80/315 - HATZ 2G40	100	80	1400	200	500	270	600	560	448	0	300	280	20	6 X 14	314
SCP 80/315 - HATZ 2M41	100	80	1400	200	500	270	600	555	468	0	300	280	20	6 X 14	448
SCP 80/315 - HATZ 3M41	100	80	1600	200	600	270	600	555	468	0	300	280	20	6 X 14	493
SCP 80/315 - HATZ 4M41	100	80	1700	200	650	270	600	555	470	0	300	280	20	6 X 14	552
SCP 80/315 - IVECO 8041i40	100	80	1800	200	700	270	600	555	470	0	300	280	20	6 X 14	683
SCP 80/315 - IVECO 8061i40	100	80	1900	200	750	270	600	550	490	0	300	280	20	6 X 16	845
SCP 80/315 - IVECO 8061SRi40	100	80	2100	200	850	270	600	545	510	0	300	280	20	6 X 18	874
SCP 100/250 - HATZ 2G40	150	100	1600	200	600	350	750	705	485	15	360	310	65	6 X 14	429
SCP 100/250 - HATZ 2M41	150	100	1600	200	600	350	750	705	485	15	360	310	65	6 X 14	555
SCP 100/250 - HATZ 3M41	150	100	1800	200	700	350	750	705	485	15	360	310	65	6 X 16	604
SCP 100/250 - HATZ 4M41	150	100	1900	200	750	350	750	700	505	15	360	310	65	6 X 16	659
SCP 100/250 - IVECO 8041i40	150	100	1900	200	750	350	750	700	505	15	360	310	65	6 X 16	783
SCP 100/250 - IVECO 8061i40	150	100	2100	200	850	350	750	700	505	15	360	310	65	6 X 16	946
SCP 100/250 - IVECO 8061Si40	150	100	2100	200	850	350	750	695	525	15	360	310	65	6 X 18	978
SCP 100/250 - IVECO 8061SRi40	150	100	2300	200	950	350	750	695	525	15	360	310	65	6 X 18	973
SCP 100/315 - HATZ 2G40	150	100	1700	200	650	390	750	705	465	15	360	320	55	6 X 14	528
SCP 100/315 - HATZ 2M41	150	100	1700	200	650	390	750	700	485	15	360	320	55	6 X 16	662
SCP 100/315 - HATZ 3M41	150	100	1900	200	750	390	750	700	485	15	360	320	55	6 X 16	713
SCP 100/315 - HATZ 4M41	150	100	2000	200	800	390	750	700	485	15	360	320	55	6 X 16	758
SCP 100/315 - IVECO 8041i40	150	100	2000	200	800	390	750	700	485	15	360	320	55	6 X 16	882
SCP 100/315 - IVECO 8061i40	150	100	2200	200	900	390	750	695	505	15	360	320	55	6 X 18	1057
SCP 100/315 - IVECO 8061Si40	150	100	2200	200	900	390	750	695	505	15	360	320	55	6 X 18	1077
SCP 100/315 - IVECO 8061SRi40	150	100	2400	200	1000	390	750	690	527	15	360	320	55	6 X 18	1109
SCP 125/450 - IVECO 8041i40	200	125	2100	200	850	400	950	900	550	5	470	450	25	6 X 16	969
SCP 125/450 - IVECO 8061i40	200	125	2200	200	900	400	950	900	550	5	470	450	25	6 X 16	1124
SCP 125/450 - IVECO 8061Si40	200	125	2200	200	900	400	950	895	570	5	470	450	25	6 X 18	1157
SCP 125/450 - IVECO 8061SRi40	200	125	2400	200	1000	400	950	895	570	5	470	450	25	6 X 18	1149
SCP 125/450 - IVECO 8210SRi40	200	125	2700	200	1150	400	950	895	570	5	470	450	25	6 X 18	1748
SCP 150/315 - HATZ 2M41	200	150	1700	200	650	365	700	650	510	0	350	265	85	6 X 16	701
SCP 150/315 - HATZ 3M41	200	150	1800	200	700	365	700	650	510	0	350	265	85	6 X 16	742
SCP 150/315 - HATZ 4M41	200	150	1900	200	750	365	700	650	510	0	350	265	85	6 X 16	786
SCP 150/315 - IVECO 8041i40	200	150	2000	200	800	365	700	650	510	0	350	265	85	6 X 16	919
SCP 150/450 - IVECO 8061Si40	200	150	2300	200	950	450	950	895	570	5	470	450	25	6 X 18	1403
SCP 150/450 - IVECO 8061SRi40	200	150	2500	200	1050	450	950	890	592	5	470	450	25	6 X 18	1440
SCP 150/450 - IVECO 8210SRi40	200	150	2900	200	1250	450	950	890	592	5	470	450	25	6 X 18	2067
SCP 200/315 - HATZ 2M41	200	200	1800	200	700	452	800	750	560	0	400	320	80	6 X 16	764
SCP 200/315 - HATZ 3M41	200	200	2000	200	800	452	800	750	560	0	400	320	80	6 X 16	815
SCP 200/315 - HATZ 4M41	200	200	2100	200	850	452	800	750	560	0	400	320	80	6 X 16	860
SCP 200/315 - IVECO 8041i40	200	200	2100	200	850	452	800	750	560	0	400	320	80	6 X 16	984
SCP 200/400 - IVECO 8061Si40	250	200	2400	200	1000	495	900	845	660	0	450	365	85	6 X 18	1325
SCP 200/400 - IVECO 8061SRi40	250	200	2600	200	1100	495	900	845	660	0	450	365	85	6 X 18	1318
SCP 200/400 - IVECO 8210SRi40	250	200	2900	200	1250	495	900	840	682	0	450	365	85	6 X 18	1973
SCP 200/500 - IVECO 8061SRi40	250	200	2600	200	1100	500	1100	1040	752	0	550	500	50	6 X 18	1455
SCP 200/500 - IVECO 8210SRi40	250	200	3000	200	1300	500	1100	1040	752	0	550	500	50	6 X 18	2093
SCP 250/350 - IVECO 8061Si40	300	250	2400	200	1000	495	1000	945	690	0	500	400	100	6 X 18	1574
SCP 250/350 - IVECO 8061SRi40	300	250	2600	200	1100	495	1000	940	712	0	500	400	100	6 X 18	1614
SCP 250/350 - IVECO 8210SRi40	300	250	2900	200	1250	495	1000	940	712	0	500	400	100	6 X 22	2231
SCP 250/450 - IVECO 8210SRi40	300	250	3000	200	1300	500	1200	1140	792	0	600	500	100	6 X 22	2581
SCP 300/400 - IVECO 8061SRi40	350	300	2700	200	1150	525	1050	990	722	20	505	500	25	6 X 22	1994
SCP 300/400 - IVECO 8210SRi40	350	300	3100	200	1350	525	1050	990	722	20	505	500	25	6 X 22	2628
SCP 300/500 - IVECO 8210SRi40	350	300	3100	200	1350	525	1200	1140	792	20	580	550	50	6 X 22	2722
SCP 350/400 - IVECO 8210SRi40	400	350	3200	200	1400	580	1200	1140	822	0	600	500	100	6 X 22	2988

For dimensions not given in the table above, please consult our company.

Dimensions and weights of diesel engine driven pumping systems



Dimensions and weights of diesel engine driven pumping systems

Pump type	DNs	DNd	L	L1	L2	A	W	W1	H1	B1	B2	B3	B4	n x M	kg
1-SCP 65/250 - HATZ 2G40	125	100	1500	200	550	310	650	610	408	285	325	325	342	6 X 14	315
1-SCP 65/250 - HATZ 3M41	125	100	1700	200	650	310	650	605	430	285	325	325	342	6 X 14	512
1-SCP 65/250 - HATZ 4M41	125	100	1800	200	700	310	650	605	430	285	325	325	342	6 X 14	556
1-SCP 65/250 - IVECO 8041i40	125	100	1900	200	750	310	650	605	430	285	325	325	342	6 X 14	688
1-SCP 65/250 - IVECO 8061i40	125	100	2000	200	800	310	650	600	450	285	325	325	342	6 X 16	851
1-SCP 80/250 - HATZ 2G40	150	125	1500	200	550	310	650	605	428	300	325	325	451	6 X 14	378
1-SCP 80/250 - HATZ 2M41	150	125	1500	200	550	310	650	605	428	300	325	325	451	6 X 14	504
1-SCP 80/250 - HATZ 3M41	150	125	1700	200	650	310	650	605	430	300	325	325	451	6 X 14	567
1-SCP 80/250 - HATZ 4M41	150	125	1800	200	700	310	650	605	430	300	325	325	451	6 X 14	611
1-SCP 80/250 - IVECO 8041i40	150	125	1900	200	750	310	650	605	430	300	325	325	451	6 X 14	743
1-SCP 80/250 - IVECO 8061i40	150	125	2000	200	800	310	650	600	450	300	325	325	451	6 X 16	906
1-SCP 80/315 - HATZ 2G40	150	125	1400	200	500	270	600	560	448	305	300	300	476	6 X 14	359
1-SCP 80/315 - HATZ 2M41	150	125	1400	200	500	270	600	555	468	305	300	300	476	6 X 14	493
1-SCP 80/315 - HATZ 3M41	150	125	1600	200	600	270	600	555	468	305	300	300	476	6 X 14	538
1-SCP 80/315 - HATZ 4M41	150	125	1700	200	650	270	600	555	470	305	300	300	476	6 X 14	597
1-SCP 80/315 - IVECO 8041i40	150	125	1800	200	700	270	600	555	470	305	300	300	476	6 X 14	728
1-SCP 80/315 - IVECO 8061i40	150	125	1900	200	750	270	600	550	490	305	300	300	476	6 X 16	890
1-SCP 80/315 - IVECO 8061SRi40	150	125	2100	200	850	270	600	545	510	305	300	300	476	6 X 18	919
1-SCP 100/250 - HATZ 2G40	200	150	1600	200	600	350	750	705	485	315	375	375	461	6 X 14	484
1-SCP 100/250 - HATZ 2M41	200	150	1600	200	600	350	750	705	485	315	375	375	461	6 X 14	610
1-SCP 100/250 - HATZ 3M41	200	150	1800	200	700	350	750	705	485	315	375	375	461	6 X 16	659
1-SCP 100/250 - HATZ 4M41	200	150	1900	200	750	350	750	700	505	315	375	375	461	6 X 16	714
1-SCP 100/250 - IVECO 8041i40	200	150	1900	200	750	350	750	700	505	315	375	375	461	6 X 16	838
1-SCP 100/250 - IVECO 8061i40	200	150	2100	200	850	350	750	700	505	315	375	375	461	6 X 16	1001
1-SCP 100/250 - IVECO 8061Si40	200	150	2100	200	850	350	750	695	525	315	375	375	461	6 X 18	1033
1-SCP 100/250 - IVECO 8061SRi40	200	150	2300	200	950	350	750	695	525	315	375	375	461	6 X 18	1028
1-SCP 100/315 - HATZ 2G40	200	150	1700	200	650	390	750	705	465	315	375	375	471	6 X 14	583
1-SCP 100/315 - HATZ 2M41	200	150	1700	200	650	390	750	700	485	315	375	375	471	6 X 16	717
1-SCP 100/315 - HATZ 3M41	200	150	1900	200	750	390	750	700	485	315	375	375	471	6 X 16	768
1-SCP 100/315 - HATZ 4M41	200	150	2000	200	800	390	750	700	485	315	375	375	471	6 X 16	813
1-SCP 100/315 - IVECO 8041i40	200	150	2000	200	800	390	750	700	485	315	375	375	471	6 X 16	937
1-SCP 100/315 - IVECO 8061i40	200	150	2200	200	900	390	750	695	505	315	375	375	471	6 X 18	1112
1-SCP 100/315 - IVECO 8061Si40	200	150	2200	200	900	390	750	695	505	315	375	375	471	6 X 18	1132
1-SCP 100/315 - IVECO 8061SRi40	200	150	2400	200	1000	390	750	690	527	315	375	375	471	6 X 18	1164
1-SCP 125/450 - IVECO 8041i40	250	200	2100	200	850	400	950	900	550	380	475	475	670	6 X 16	1039
1-SCP 125/450 - IVECO 8061i40	250	200	2200	200	900	400	950	900	550	380	475	475	670	6 X 16	1194
1-SCP 125/450 - IVECO 8061Si40	250	200	2200	200	900	400	950	895	570	380	475	475	670	6 X 18	1227
1-SCP 125/450 - IVECO 8061SRi40	250	200	2400	200	1000	400	950	895	570	380	475	475	670	6 X 18	1219
1-SCP 125/450 - IVECO 8210 SRi40	250	200	2700	200	1150	400	950	895	570	380	475	475	670	6 X 18	1818
1-SCP 150/315 - HATZ 2M41	250	200	1700	200	650	365	700	650	510	385	350	350	610	6 X 16	771
1-SCP 150/315 - HATZ 3M41	250	200	1800	200	700	365	700	650	510	385	350	350	610	6 X 16	812
1-SCP 150/315 - HATZ 4M41	250	200	1900	200	750	365	700	650	510	385	350	350	610	6 X 16	856
1-SCP 150/315 - IVECO 8041i40	250	200	2000	200	800	365	700	650	510	385	350	350	610	6 X 16	989
1-SCP 150/450 - IVECO 8061Si40	250	200	2300	200	950	450	950	895	570	380	475	475	670	6 X 18	1473
1-SCP 150/450 - IVECO 8061SRi40	250	200	2500	200	1050	450	950	890	592	380	475	475	670	6 X 18	1510
1-SCP 150/450 - IVECO 8210 SRi40	250	200	2900	200	1250	450	950	890	592	380	475	475	670	6 X 18	2137
1-SCP 200/315 - HATZ 2M41	250	250	1800	200	700	452	800	750	560	385	400	400	733	6 X 16	849
1-SCP 200/315 - HATZ 3M41	250	250	2000	200	800	452	800	750	560	385	400	400	733	6 X 16	900
1-SCP 200/315 - HATZ 4M41	250	250	2100	200	850	452	800	750	560	385	400	400	733	6 X 16	945
1-SCP 200/315 - IVECO 8041i40	250	250	2100	200	850	452	800	750	560	385	400	400	733	6 X 16	1069
1-SCP 200/400 - IVECO 8061Si40	300	300	2400	200	1000	495	900	845	660	460	450	450	890	6 X 18	1420
1-SCP 200/400 - IVECO 8061SRi40	300	300	2600	200	1100	495	900	845	660	460	450	450	890	6 X 18	1413
1-SCP 200/400 - IVECO 8210 SRi40	300	300	2900	200	1250	495	900	840	682	460	450	450	890	6 X 18	2068
1-SCP 200/500 - IVECO 8061SRi40	300	300	2200	200	900	500	1100	1040	752	460	550	550	925	6 X 18	1550
1-SCP 200/500 - IVECO 8210 SRi40	300	300	3000	200	1300	500	1100	1040	752	460	550	550	925	6 X 18	2188
1-SCP 250/350 - IVECO 8061Si40	350	300	2400	200	1000	495	1000	945	690	570	500	500	875	6 X 18	1684
1-SCP 250/350 - IVECO 8061SRi40	350	300	2600	200	1100	495	1000	940	712	570	500	500	875	6 X 18	1724
1-SCP 250/350 - IVECO 8210 SRi40	350	300	2900	200	1250	495	1000	940	712	570	500	500	875	6 X 22	2341
1-SCP 250/450 - IVECO 8210 SRi40	350	300	3000	200	1300	500	1200	1140	792	570	600	600	875	6 X 22	2691

For dimensions not given in the table above, please consult our company.