

# *SPARE PARTS CATALOGUE*

# **BAKI**

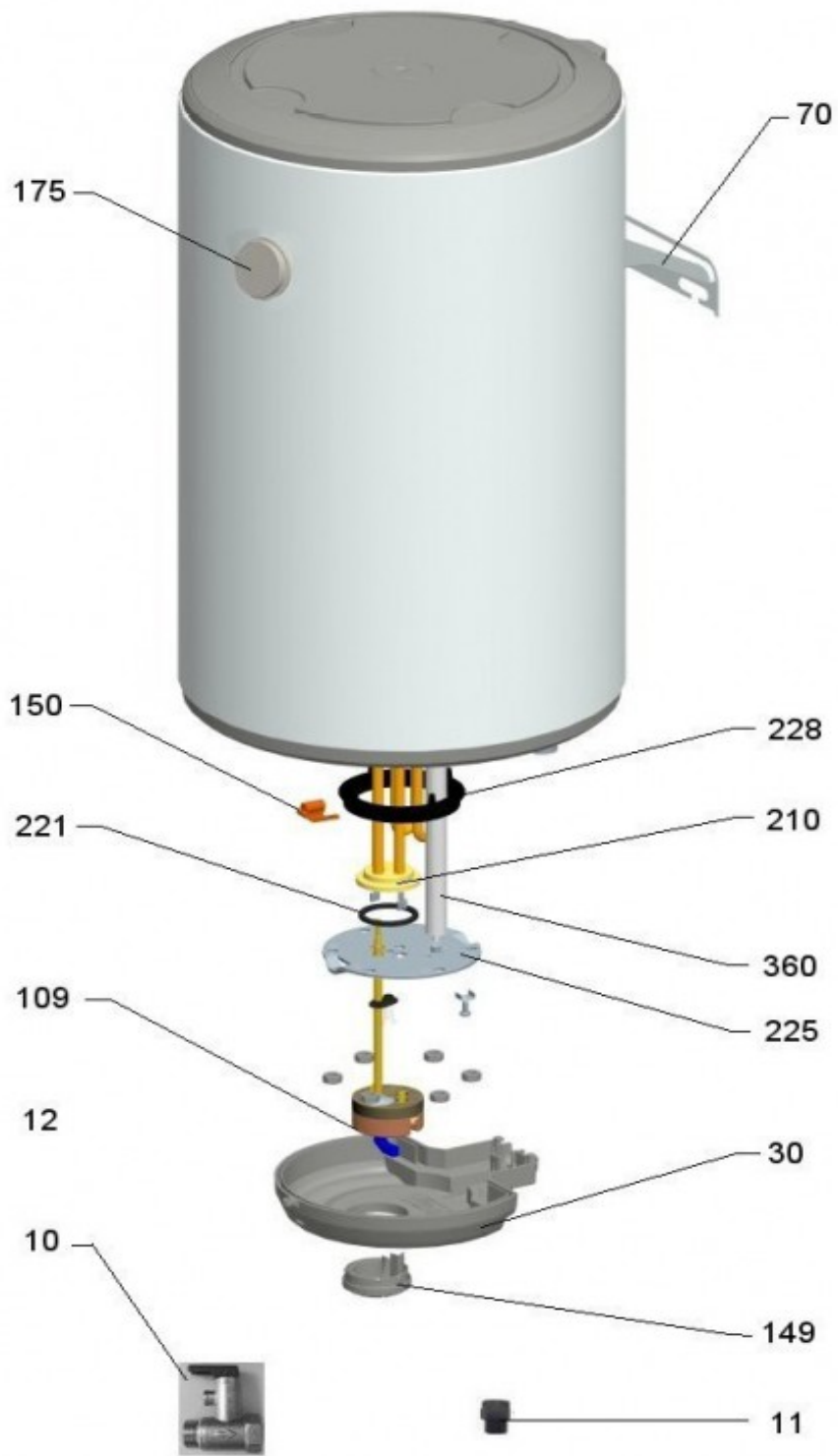
## *ELECTRIC WATER HEATERS*

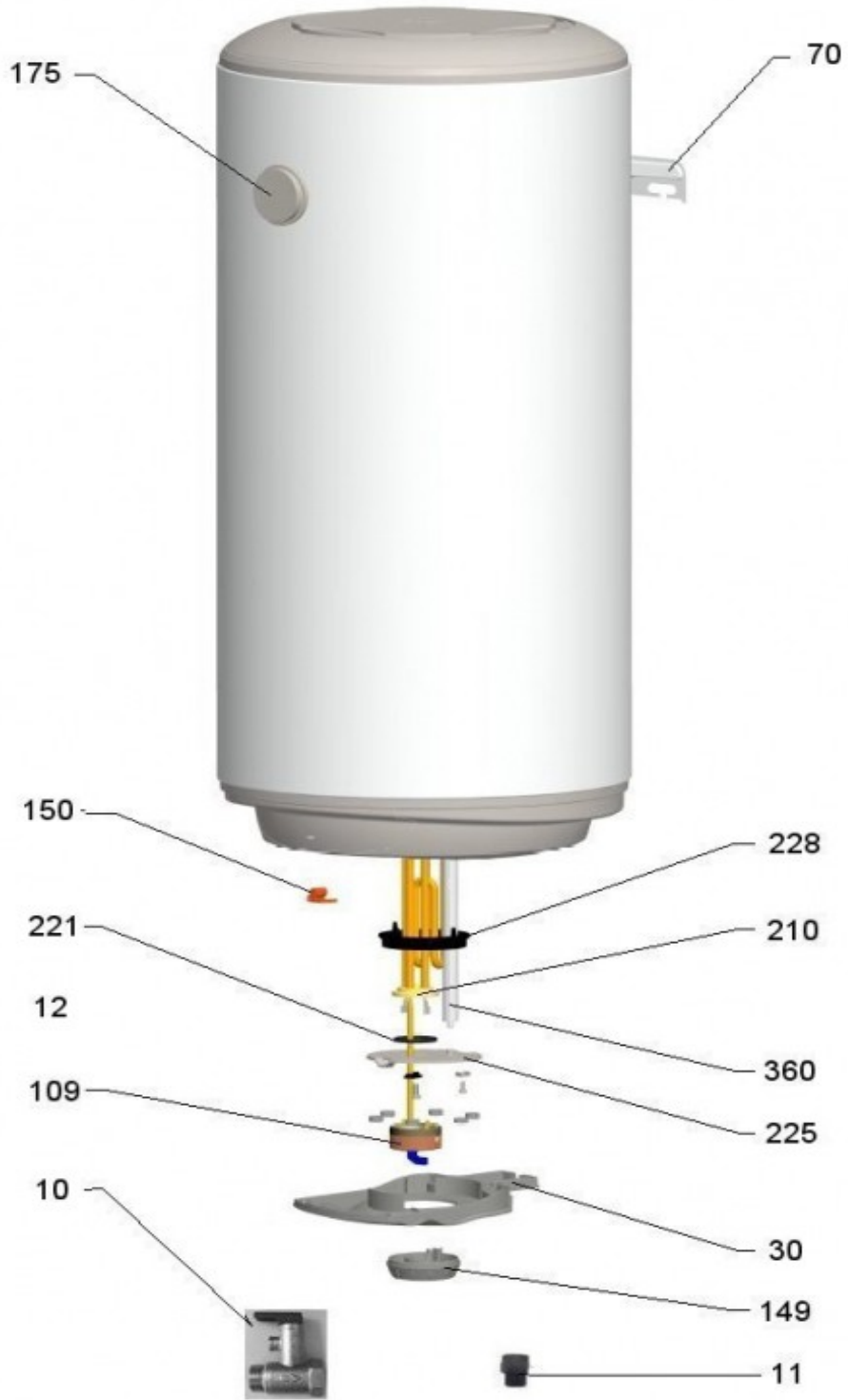


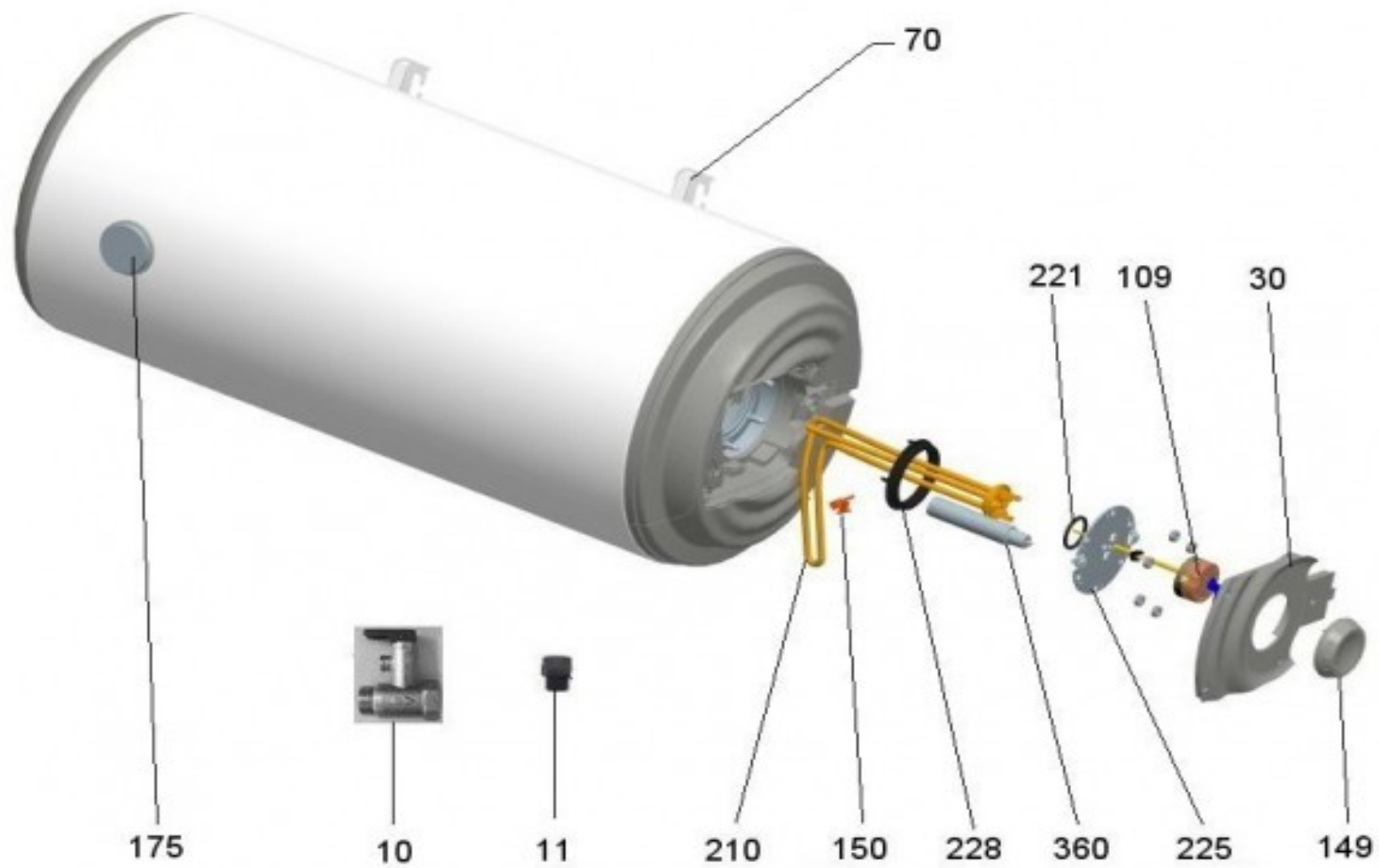




Tab 1







**BAXI**

**BAXI S.p.A.**  
**Via Trozzetti, 20**  
**36061 BASSANO DEL GRAPPA (VI)**  
**ITALY**  
**Tel. +390424517111**  
**Telefax +390424517379**  
**E-mail. [service@baxi.it](mailto:service@baxi.it)**