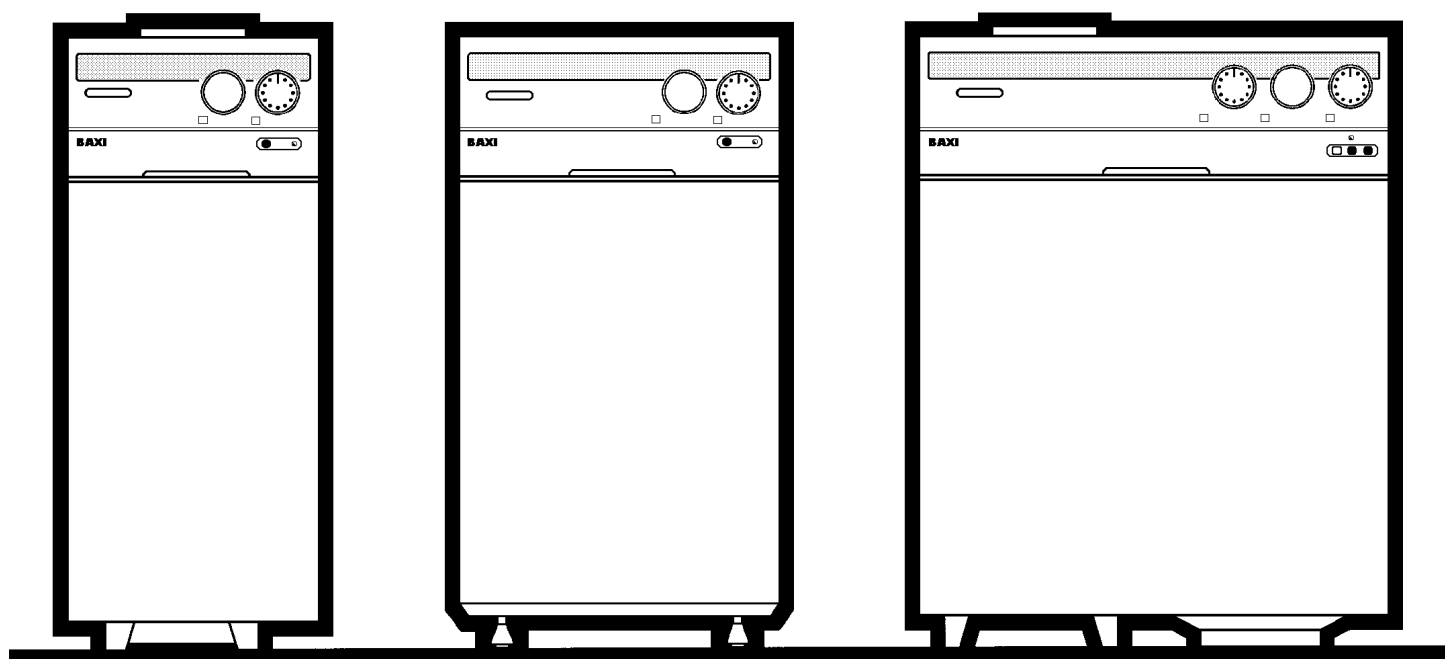


# BAXI

## SPARE PARTS

# *Slim*

*20 - 26 - 35 - 42 - 54 pN / 14 - 20 - 26 iPV / 20 - 26 iA50 / UB 80 - UB 120*



FLOOR STANDING BOILERS - STORAGE TANKS

— SEPTEMBER 1999 —

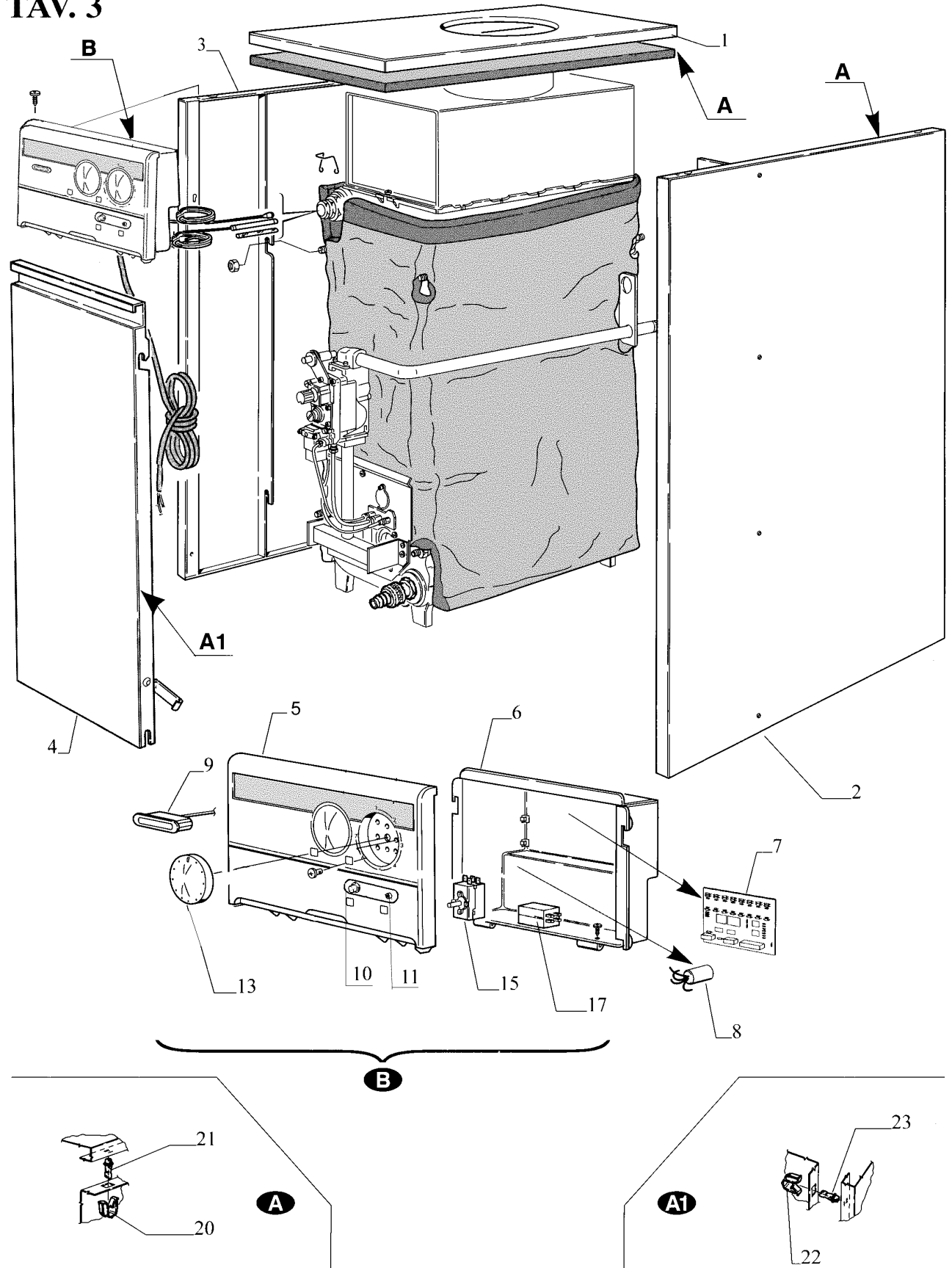
# ***Slim***

## **INDEX**

- Exploded drawing 20 pN- 26 pN Page 4
- Exploded drawing 35 pN - 42 pN - 54 pN Page 6
- Exploded drawing 14 iPV - 20 iPV - 26 iPV Page 8
- Exploded drawing 20 iA50 - 26 iA50 Page 10
- Components description and spare parts list Page 13
- Storage tanks UB 80 and UB 120 Page 16

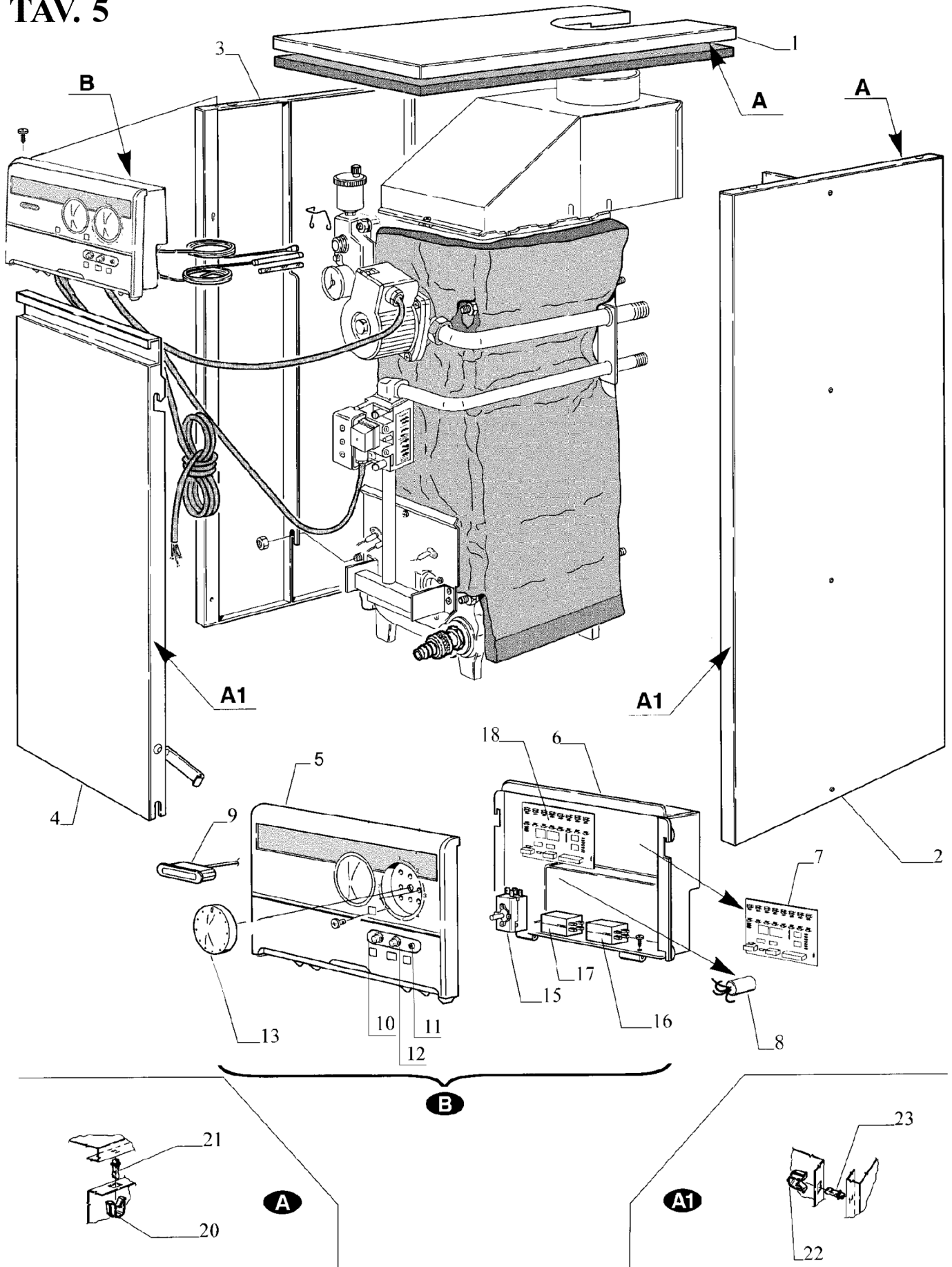


## TAV. 3

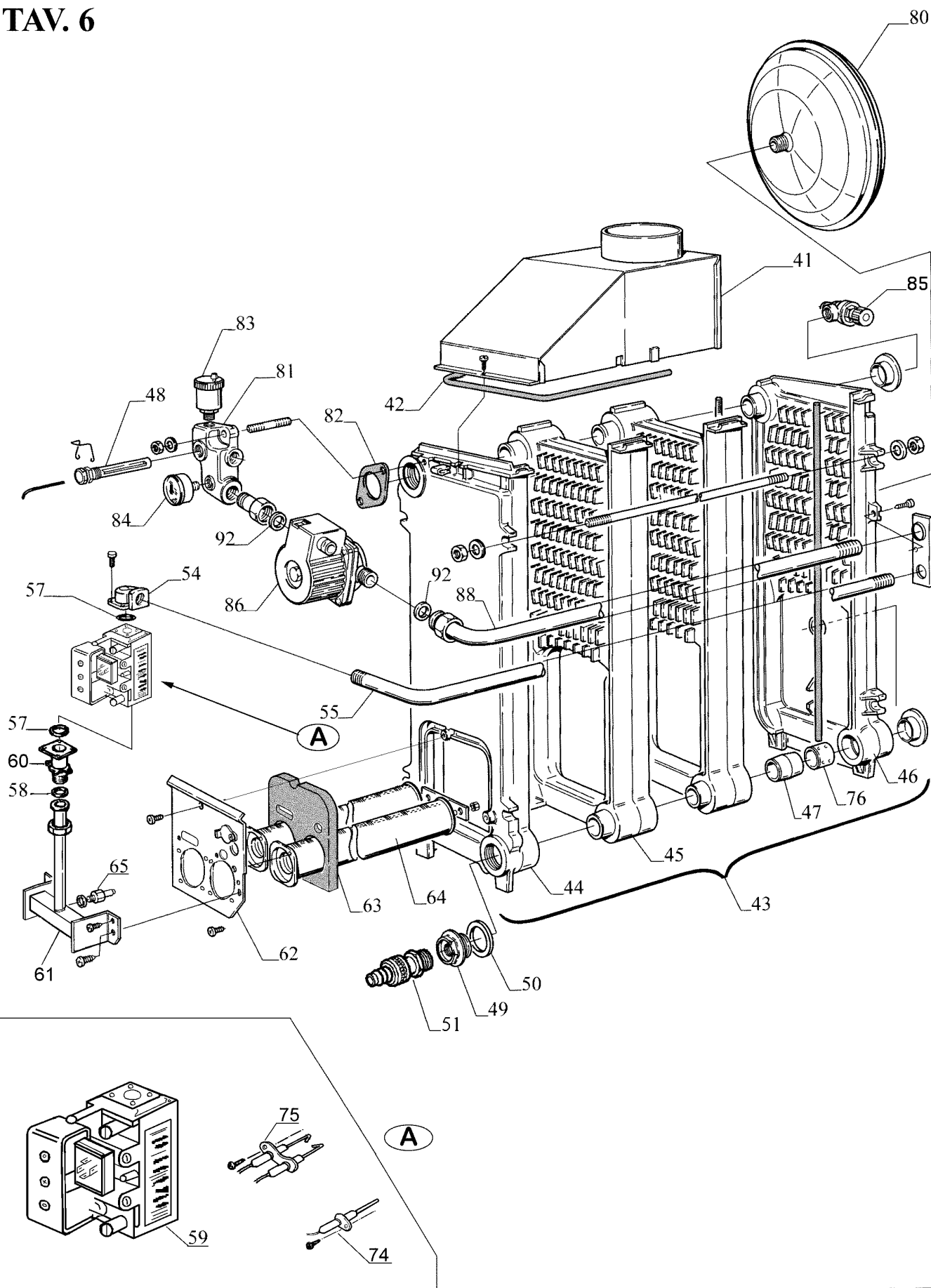




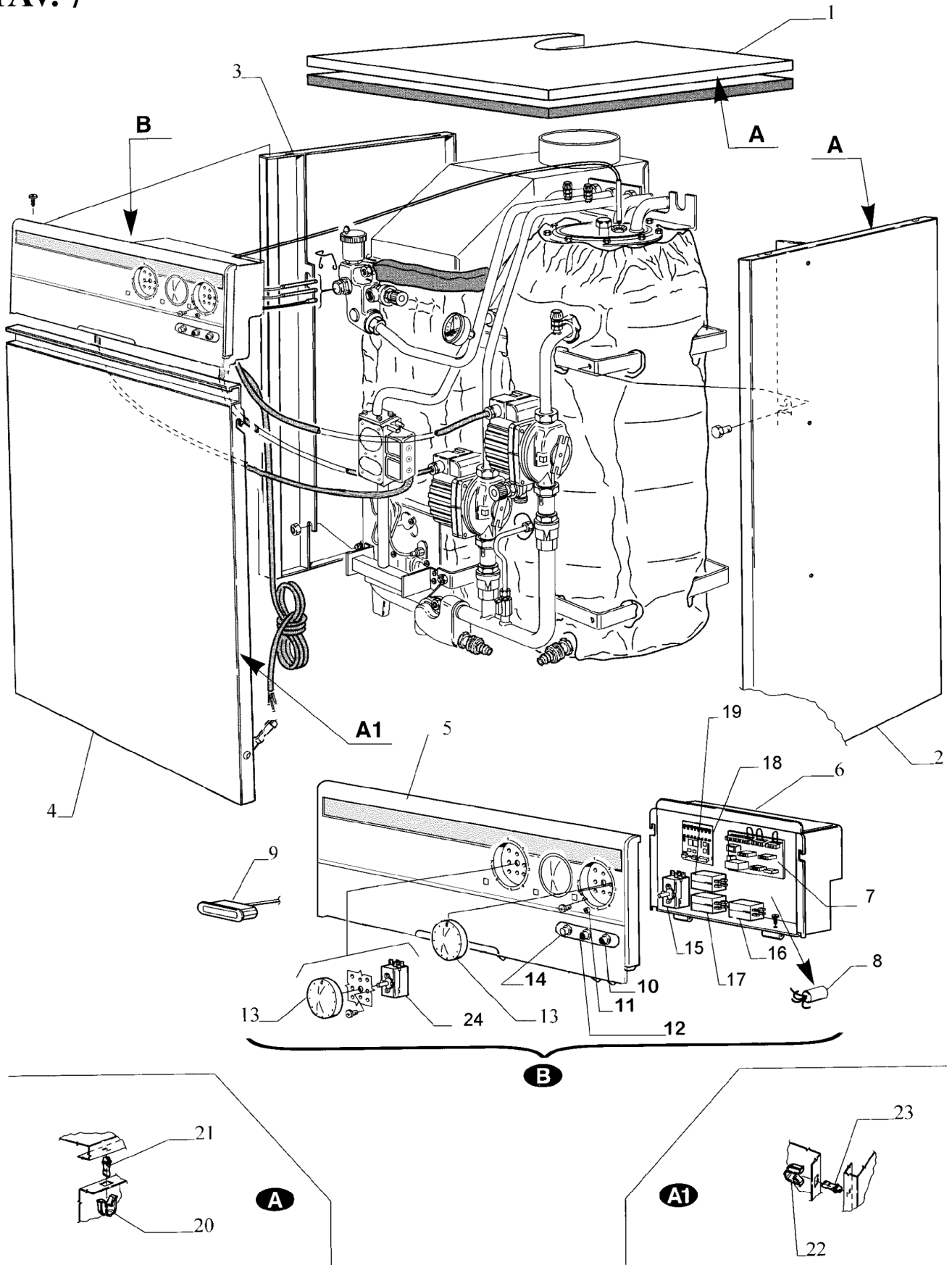
### TAV. 5



## TAV. 6

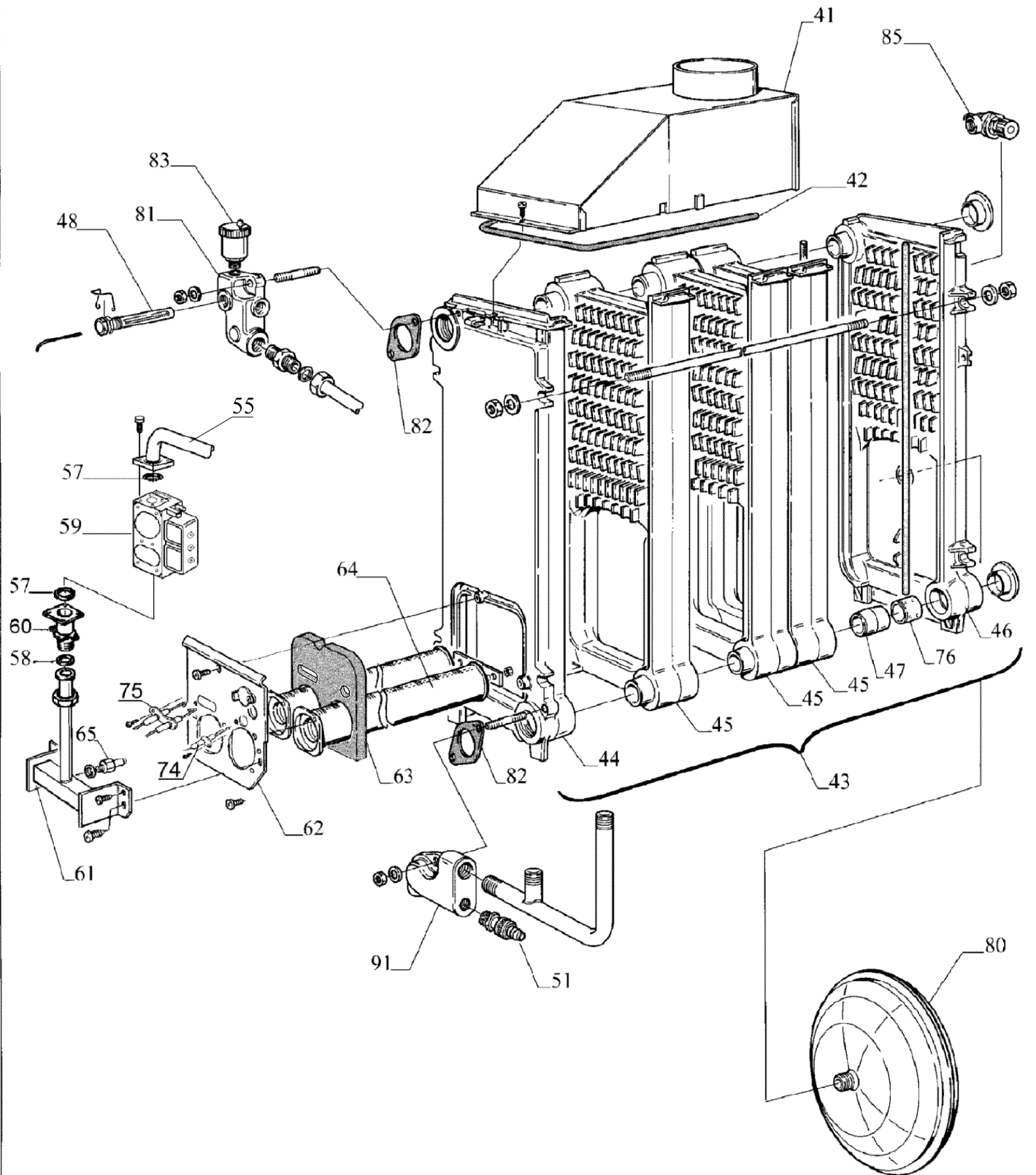


TAV. 7

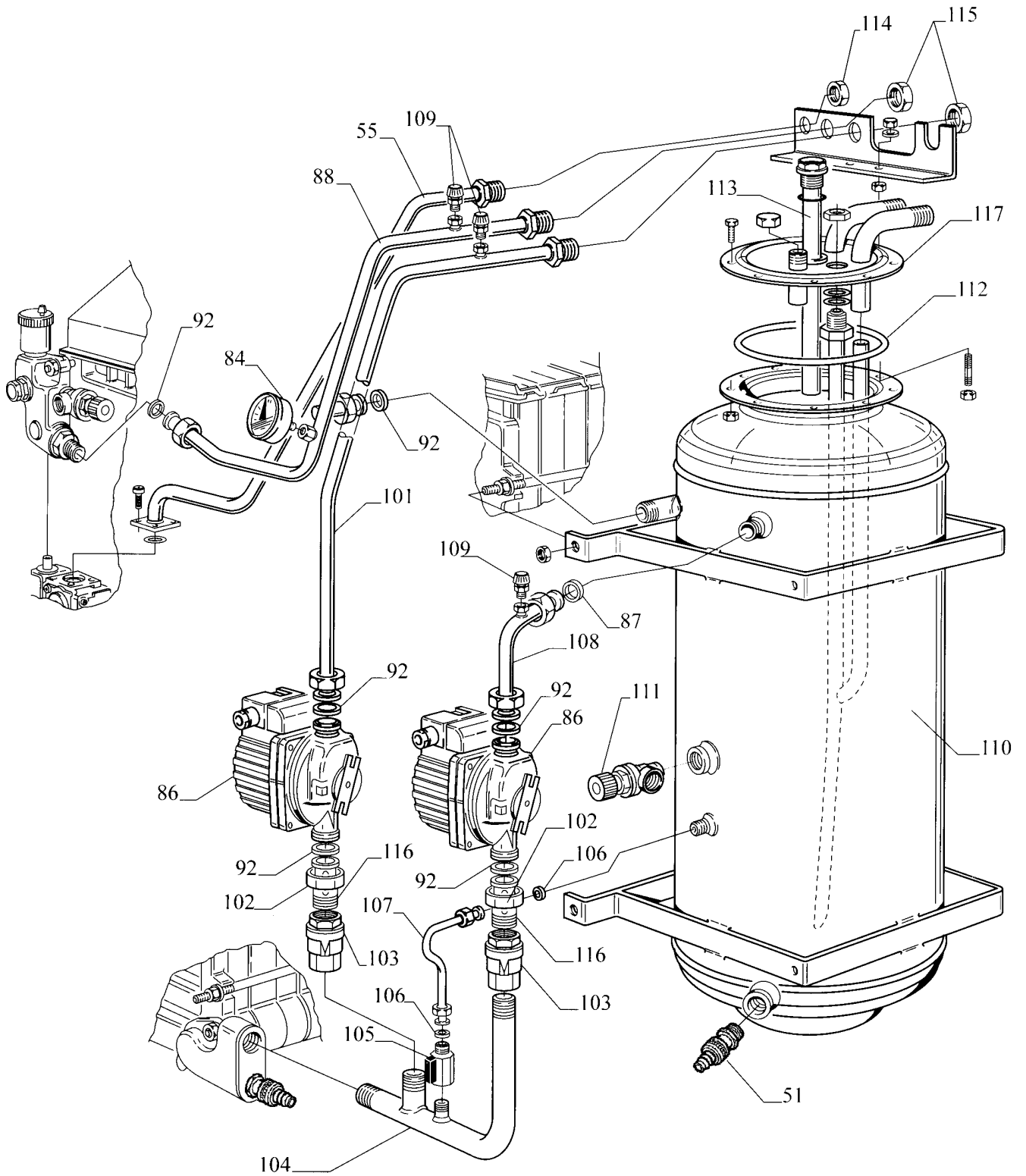




### TAV. 8



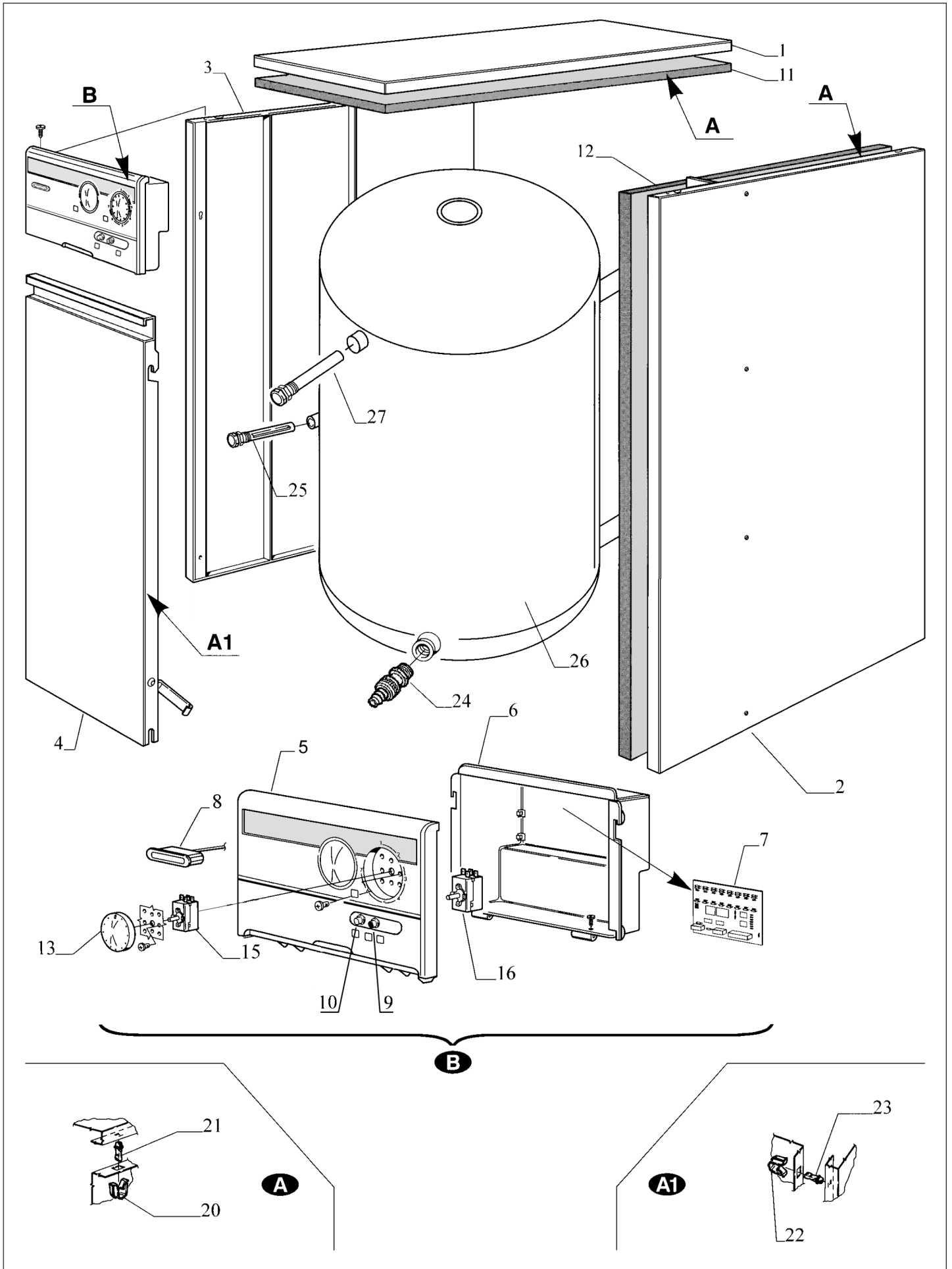
### TAV 9





	SLIM 20 PN	SLIM 26 PN	SLIM 35 PN	SLIM 42 PN	SLIM 54 PN	SLIM 14 IPV	SLIM 20 IPV	SLIM 26 IPV	SLIM 20 IA50	SLIM 26 IA50	
	WSB	WSB	WSB	WSB	WSB	WSB	WSB	WSB	WSB	WSB	
	411203000	411263000	411353000	411423000	411543000	411133010	411203010	411263010	414203010	414263010	
Pos.	tav. 1, 2	tav. 1, 2	tav. 3, 4	tav. 3, 4	tav. 3, 4	tav. 5, 6	tav. 5, 6	tav. 5, 6	tav. 7,8,9	tav. 7,8,9	Description
48	3603270	3603270	3603270	3603270	3603270	3608670	3608670	3608670	3608670	3608670	TRIPLE SHEATH
49	3101570	3101570	3101570	3101570	3101570	3101570	3101570	3101570	-	-	PLUG 1-1/4 " WITH HOLE
50	3400530	3400530	3400530	3400530	3400530	3400530	3400530	3400530	-	-	JOINT 1-1/4"
51	5646780	5646780	5646780	5646780	5646780	5646780	5646780	5646780	5646780	5646780	DRAINING TAP
52	3611870	3611870	-	-	-	-	-	-	-	-	SAFETY THERMOSTAT (KLIXON)
54	3200350	3200350	3200350	3200350	3200350	3202100	3202100	3202100	-	-	BEND CONNECTION 1/2"
55	3101430	3101440	3103210	3103220	3606240	3101420	3101430	3101440	3614330	3614330	GAS INLET PIPE
56	8433220	8433220	8433220	8433220	8433220	-	-	-	-	-	PIEZO IGNITOR
57	3400430	3400430	3400430	3400430	3400430						GASKET (O RING 2131)
57						5402010	5402010	5402010	5402010	5402010	GASKET (O RING 22,22 X 2,62)
57,1	3400460	3400460	3400460	3400460	3400460	-	-	-	-	-	GASKET (O RING 4106)
58	5404650	5404650	5404650	5404650	5404650	5404650	5404650	5404650	5404650	5404650	GASKET G3/4 17X24X2
59	3603800	3603800	3603800	3603800	3603800						GAS VALVE SIT NOVA 820011
59						3609790	3609790	3609790	3609790	3609790	GAS VALVE SIT TANDEM 830035
-	8440090	8440090	8440090	8440090	8440090						SOLENOID EV2
-						8440210	8440210	8440210	8440210	8440210	DOUBLE COIL 220V 50Hz
60	5206630	5206630	5206630	5206630	5206630	5206620	5206620	5206620	5206620	5206620	GAS VALVE PIPE FITTING
61	3614390	3614390	3614390	3614390	3614390	3614390	3614390	3614390	3614390	3614390	GAS RAMPE
62	3103170	3103170	3103170	3103170	3103170	3103160	3103160	3103160	3103160	3103160	RAMP SHIELD
63	3202510	3202510	3202510	3202510	3202510	3202520	3202520	3202520	3202520	3202520	RAMP SHIELD INSULATION
64	3602430	3602440	3602450	3602460	3602480	3602420	3602430	3602440	3602430	3602440	BURNER
65	3201450	3201460	3200620	3200630	3201490	3200450	3201450	3201460	3201450	3201460	NATURAL GAS INJECTOR
-	3201510	3200860	3201520	3201530	3200610	3201500	3201510	3200860	3201510	3200860	GPL INJECTOR
66	3603830	3603830	3603830	3603830	3603830	-	-	-	-	-	THERMOCOUPLE INTERRUPTION
67	3603860	3603860	3603860	3603860	3603860	-	-	-	-	-	THERMOCOUPLE
68	3200800	3200800	3200800	3200800	3200800	-	-	-	-	-	GAS VALVE - PILOT BURNER PIPE
69	8620240	8620240	8620240	8620240	8620240	-	-	-	-	-	IGNITION ELECTRODE (ex 8620000-interc.)
70	3201320	3201320	3201320	3201320	3201320	-	-	-	-	-	NATURAL GAS PILOT INJECTOR
-	3201330	3201330	3201330	3201330	3201330	-	-	-	-	-	LPG PILOT INJECTOR
71	3603790	3603790	3603790	3603790	3603790	-	-	-	-	-	PILOT BURNER
72	3400370	3400370	3400370	3400370	3400370	-	-	-	-	-	PILOT BURNER GASKET
73	8413540	8413540	8413540	8413540	8413540	-	-	-	-	-	PIEZO HIGH VOLTAGE CABLE
74	-	-	-	-	-	8620190	8620190	8620190	8620190	8620190	IONIZATION ELECTRODE
75	-	-	-	-	-	8620280	8620280	8620280	8620280	8620280	IGNITION ELECTRODES WITH CABLES
76	3101190	-	3101200	3101200	3101200	3101210	3101220	3101230	3101240	3101240	FLOW DISTRIBUTOR

	SLIM 20 PN	SLIM 26 PN	SLIM 35 PN	SLIM 42 PN	SLIM 54 PN	SLIM 14 IPV	SLIM 20 IPV	SLIM 26 IPV	SLIM 20 IA50	SLIM 26 IA50	
	WSB	WSB	WSB	WSB	WSB	WSB	WSB	WSB	WSB	WSB	
	411203000	411263000	411353000	411423000	411543000	411133010	411203010	411263010	411203010	414263010	
Pos.	tav. 1, 2	tav. 1, 2	tav. 3, 4	tav. 3, 4	tav. 3, 4	tav. 5, 6	tav. 5, 6	tav. 5, 6	tav. 7,8,9	tav. 7,8,9	Description
77	-	-	-	-	3604220	-	-	-	-	-	GAS SWITCH
-	3607120	3607130	3607140	3607150	3607160	3607110	3607120	3607130	3607120	3607130	LPG INJECTORS KIT
	KHW714027610	KHW714027710	KHW714027810	KHW714027910	KHW714028010	KHW714027510	KHW714027610	KHW714027710	KHW714027610	KHW714027710	LPG CONVERSION KIT
78	-	-	KHW714026810	KHW714026810	KHW714025410	-	-	-	-	-	FLUE TERMINAL WITH THERMOSTAT
-	-	-	3604180	3604180	3606390	-	-	-	-	-	FLUE TERMINAL
79	-	-	602890	602890	602890	-	-	-	-	-	FLUE SAFETY THERMOSTAT (8630040)
80	-	-	-	-	-	3603870	3603870	3603870	3603870	3603870	EXPANSION VESSEL
81	-	-	-	-	-	3101390	3101390	3101390	3101400	3101400	HEATING FLOW CONNECTION ELEMENT
82	-	-	-	-	-	3400470	3400470	3400470	3400470	3400470	FLANGE OVAL GASKET
83	-	-	-	-	-	5600730	5600730	5600730	5600730	5600730	AIR VENT
84	-	-	-	-	-	8922230	8922230	8922230	8922230	8922230	PRESSURE GAUGE
85	-	-	-	-	-	5619620	5619620	5619620	5619620	5619620	SAFETY VALVE 3 BAR
86	-	-	-	-	-	3615910*	3615910*	3615910*	3615920	3615920	PUMP (Wilco-Salmson) *alt. 3604130
87	-	-	-	-	-	-	-	-	5404650	5404650	GASKET
88	-	-	-	-	-	3101450	3101460	3101470	3602370	3602370	HEATING FLOW PIPE
91	-	-	-	-	-	-	-	-	3101410	3101410	HEATING RETURN CONNECTION ELEMENT
92	-	-	-	-	-	5405000	5405000	5405000	5405000	5405000	GASKET
101	-	-	-	-	-	-	-	-	3602380	3602380	HEATING RETURN PIPE
102	-	-	-	-	-	-	-	-	3200950	3200950	RING NUT
103	-	-	-	-	-	-	-	-	3603910	3603910	NON RETURN VALVE
104	-	-	-	-	-	-	-	-	3602400	3602400	PUMPS RETURN PIPE
105	-	-	-	-	-	-	-	-	5620240	5620240	FILLING TAP
106	-	-	-	-	-	-	-	-	3602390	3602390	FILLING PIPE
107	-	-	-	-	-	-	-	-	5404970	5404970	GASKET
108	-	-	-	-	-	-	-	-	3602410	3602410	STORAGE TANK RETURN PIPE
109	-	-	-	-	-	-	-	-	3603900	3603900	MANUAL AIR VENT
110	-	-	-	-	-	-	-	-	3603630	3603630	STORAGE TANK
111	-	-	-	-	-	-	-	-	3603920	3603920	SAFETY VALVE 6 bar
112	-	-	-	-	-	-	-	-	3400790	3400790	SEALING RING
113	-	-	-	-	-	-	-	-	3609530	3609530	ANODE
114	-	-	-	-	-	-	-	-	5204900	5204900	LOCK NUT 1/2 "
115	-	-	-	-	-	-	-	-	5204890	5204890	LOCK NUT 3/4"
116	-	-	-	-	-	-	-	-	3101310	3101310	CONNECTION ELEMENT
117	-	-	-	-	-	-	-	-	3606800	3606800	BOILER FLANGE
-	609530	609540	609550	609560	609570	609520	609530	609540	609530	609540	NATURAL GAS CONVERSION KIT



<b>Pos.</b>	<b>SLIM UB80 KSW 714027310</b>	<b>SLIM UB120 KSW 714027410</b>	<b>Description</b>
<b>1</b>	3107180	3107130	TOP PANEL
<b>2</b>	3610980	3611030	RIGHT PANEL
<b>3</b>	3610990	3611040	LEFT PANEL
<b>4</b>	3611010	3611080	DOOR
<b>5</b>	3616360	3616370	FRONT PANEL
<b>B</b>	3616270	3616280	COMPLETE CONTROL PANEL
<b>6</b>	3400650	3400650	ELECTRIC BOX
<b>7</b>	3606580	3606580	WIRING PCB
<b>8</b>	8630010	8630010	THERMOMETER
<b>9</b>	8620180	8620180	GREEN LAMP
<b>10</b>	8630150	8630150	SWITCH
<b>11</b>	3200300	3200320	TOP INSULATION
<b>12</b>	3201350	3201340	SIDE INSULATION
<b>13</b>	3613870	3613870	WHITE KNOB
<b>15</b>	8630060	8630060	ADJUSTING THERMOSTAT
<b>16</b>	8630240	8630240	LIMIT THERMOSTAT 85 °C
<b>20</b>	3400380	3400380	FASTENING F
<b>21</b>	3400390	3400390	FASTENING M
<b>22</b>	3400400	3400400	FASTENING F
<b>23</b>	3400410	3400410	FASTENING M
<b>24</b>	5646780	5646780	DRAINING TAP
<b>25</b>	3603260	3603260	TRIPLE SHEATH
<b>26</b>	3603610	3603620	STORAGE TANK
<b>27</b>	3609530	3609570	ANODE
<b>-</b>	KHW714026911		PUMP CONNECTION KIT UB-BOILER





# **BAXI**

**BAXI S.p.A.**  
**36061 BASSANO DEL GRAPPA (VI) ITALY**  
**Via Trozzetti, 20**  
**Tel. ++390424517111**  
**Telefax ++390424517379**