

# BAXI



Prime HT  
Only Heating

**SPARE PARTS CATALOGUE**

**- March 2011 -**



# HOW TO READ THE SPARE PARTS CATALOGUE

In the spare part catalogue, after the exploded diagrams, there are the components lists of the boilers; this is the meaning of the different columns:

Pos.	Identification number of the component in the exploded diagram of the boiler.
Description	Short description of the component.
Code	BAXI S.p.A. code of the component.
Tab. XX	XX is the exploded diagram number of the boiler taken into consideration.
From serial number	Date (year and week) identifying the beginning of production of a component (taken from the serial number of the boiler). e.g. B005: year 2000 (B identifies the decade 2000-2009; 0 identifies the year) – 5th week. If the box is empty, the component is in use from the beginning of production of the boiler.
To serial number	Date (year and week) identifying the end of production of a component (taken from the serial number of the boiler). e.g. B012: year 2000 (B identifies the decade 2000-2009; 0 identifies the year) – 12th week. If the box is empty, the component is still in use.
Interchangeable	It identifies the interchangeability between the new component and the old one. YES: components are interchangeable. NO: components are not interchangeable.

**BOILERS CONNECTION BOARD - EXPLODED VIEW**  
**TABELLA COLLEGAMENTO CODICE CALDAIA - ESPLOSO**  
**TABLERO UNIÓN CALDERA - EXPLOSIONADO**  
**TABLEAU CONNECTION CODEX CHAUDIERE - VUE ECLATEE**

BOILER CODE	BOILER DESCRIPTION	EXPLODED REF.
CODICE CALDAIA	DESCRIZIONE CALDAIA	RIF. ESPLOSO
CODIGO CALDERA	DESCRIPCION CALDERA	REF. EXPLOSIONADO
CODE CHAUDIÈRE	DESCRIPTION CHAUDIÈRE	RÉF. EXPLOSÉE
HLB435123001	PRIME HT 1.120	Tab 133
HLB435123002	PRIME HT 1.120	Tab 134
HLB435123003/4	PRIME HT 1.120	Tab 135
HLB435123005	PRIME HT 1.120	Tab 330
HLB435123006	PRIME HT 1.120	Tab 380
HLB435243001	PRIME HT 1.240	Tab 133
HLB435243002/3	PRIME HT 1.240	Tab 134
HLB435243004	PRIME HT 1.240	Tab 135
HLB435243005	PRIME HT 1.240	Tab 330
HLB435243006	PRIME HT 1.240	Tab 380

Prime HT  
Only Heating

21/03/2011

Pos	Code	Description code	HLB435123001												To serial number	From serial number	Interchangeable:	
			HLB435123001	HLB435123002	HLB435123003/4	HLB435123005	HLB435123006	HLB435243001	HLB435243002/3	HLB435243004	HLB435243005	HLB435243006						
2	5113450	PANEL ASSEMBLY - LEFT	•	•	•				•	•	•							B640
2	5116220	LEFT PANEL HT				•	•						•	•				
2	5116220	LEFT PANEL HT	•	•	•				•	•	•						B641	
3	5113440	PANEL ASSEMBLY - RIGHT	•	•	•				•	•	•							B640
3	5116210	RIGHT PANEL HT				•	•						•	•				
3	5116210	RIGHT PANEL HT	•	•	•				•	•	•						B641	
4	5114530	PANEL FRONT	•	•	•				•	•	•							B640





# Prime HT

## Only Heating

Pos	Code	Description code	HLB435243006	HLB435243005	HLB435243004	HLB435243002/3	HLB435243001	HLB435123006	HLB435123005	HLB435123003/4	HLB435123002	HLB435123001	To serial number	From serial number	Interchangeable:
			1.240	1.240	1.240	1.240	1.120	1.120	1.120	1.120	1.120				
113	617100	BY-PASS GR.	•	•	•	•	•	•	•	•	•	•			
119	605760	HYDRAULIC VENTURI ASSEMBLY	•	•	•	•	•	•	•	•	•	•			
120	600750	SPACER ASSEMBLY	•	•	•	•	•	•	•	•	•	•			
131	8434840	NTC SENSOR	•	•	•	•	•	•	•	•	•	•	B615		YES
131	8435400	NTC SENSOR						•	•					B616	
131	8435400	NTC SENSOR	•	•	•	•	•	•	•	•	•	•			
132	5402830	WASHER - SENSOR SEALING	•	•	•	•	•	•	•	•	•	•			
134	5212120	INJECTOR	•	•	•	•	•	•	•	•	•	•			
134	5212140	INJECTOR						•	•	•	•	•			
135	9950760	THERMOSTAT - LIMIT	•	•	•	•	•	•	•	•	•	•			
136	5672050	PIPE	•	•	•	•	•	•	•	•	•	•			
136	5681400	PIPE ASS.(3 WAY VALVE/EXCHANG)					•	•							
138	5402010	O RING 22.22x2.62	•	•	•	•	•	•	•	•	•	•			
139	5206620	CONNECTOR-GAS VALVE INLET	•	•	•	•	•	•	•	•	•	•			
140	5671930	GAS VALVE	•	•	•	•	•	•	•	•	•	•			
147	5664340	TRAVERSE	•	•	•	•	•	•	•	•	•	•			
147	5694730	TRAVERSE					•	•							
151	5407650	ELECTRICAL BOX COVER	•	•	•	•	•	•	•	•	•	•			
152	5672110	PRINT.CONTR.PAN.PRIME HT 1.240						•	•	•	•	•			
152	5672120	PRINT.CONTR.PAN.PRIME HT 1.120	•	•	•	•	•	•	•	•	•	•			
153	5407660	PANEL - ACCESS	•	•	•	•	•	•	•	•	•	•			
154	5676120	PCB SIEMENS LMU34 WITH INSTRUC	•	•	•	•	•	•	•	•	•	•	B540		YES
154	5680240	PCB LMU 34 SIEMENS	•	•	•	•	•	•	•	•	•	•	B620	B541	YES
154	5684110	PCB LMU 34 B	•	•	•	•	•	•	•	•	•	•	B635	B621	YES
154	5686050	GR.SCHEDA LMU 34 B C/ISTRUZ.					•	•					B944		
154	5686050	GR.SCHEDA LMU 34 B C/ISTRUZ.	•	•	•	•	•	•	•	•	•	•	B944	B636	
154	5703660	PCB LMU34 WITH INSTR.VERS.2.09													
154	5703660	PCB LMU34 WITH INSTR.VERS.2.09	•	•	•	•	•	•	•	•	•	•		B945	YES
166	8421590	TERMINAL BLOCK	•	•	•	•	•	•	•	•	•	•			





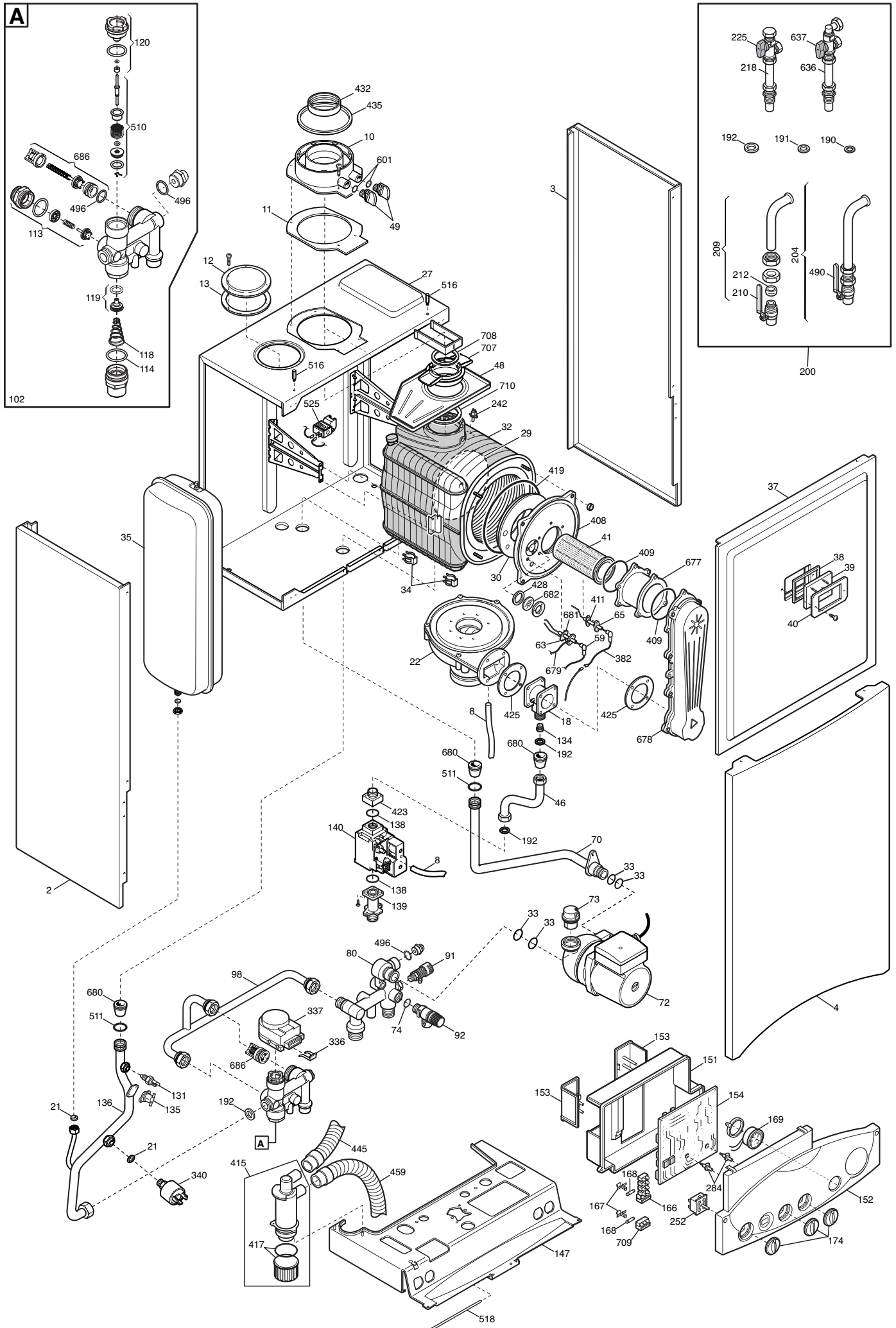
# Prime HT

## Only Heating

Pos	Code	Description code	HLB435243006	HLB435243005	HLB435243004	HLB435243003	HLB435243001	HLB435123006	HLB435123005	HLB435123003/4	HLB435123002	HLB435123001	To serial number	From serial number	Interchangeable:
			1.240	1.240	1.240	1.240	1.240	1.240	1.240	1.120	1.120	1.120			
382	8511130	FLAME SENSING CABLE	•	•	•	•	•	•	•	•	•	•			
408	5212900	COMB.CHAMBER UPPER COVER	•	•	•	•	•	•	•	•	•	•			
409	5410740	BURNER GASKET	•	•	•	•	•	•	•	•	•	•	C112		
409	710624300	BURNER GASKET HT	•	•	•	•	•	•	•	•	•	•		C113	YES
411	5409110	FLAME SENSING ELEC.GASKET	•	•	•	•	•	•	•	•	•	•	B938		
411	710185200	FLAME SENSING ELEC.GASKET	•	•	•	•	•	•	•	•	•	•		B939	YES
415	5409060	SYPHON	•	•	•	•	•	•	•	•	•	•	B515		YES
415	5677910	TRAP ASSEMBLY BASIC	•	•	•	•	•	•	•	•	•	•		B515	
415	5677910	TRAP ASSEMBLY BASIC					•	•							
417	615380	COND.SIPHON PLUG	•										B515		
419	5411000	COMB.CHAMBER GASKET	•	•	•	•	•	•	•	•	•	•			
421	5413120	ORING 12X3 EPDM	•	•	•	•	•	•	•	•	•	•			
423	5210410	GAS VALVE CONNECTOR	•	•	•	•	•	•	•	•	•	•			
425	5411420	FAN GASKET	•	•	•	•	•	•	•	•	•	•			
428	5409290	GASKET	•	•	•	•	•	•	•	•	•	•			
432	5410420	WASHER DIA 60 OUTLET BEND	•	•	•	•	•	•	•	•	•	•			
435	5407550	WASHER DIA100 OUTER ADAPT SEAL	•	•	•	•	•	•	•	•	•	•			
445	5410980	SILICONE PIPE	•	•	•	•	•	•	•	•	•	•			
459	5411610	DISCHARGE PIPE	•	•	•	•	•	•	•	•	•	•			
490	5625970	DHW INLET TAP WITH FILTER					•	•							
490	5636250	DHW INLET TAP	•	•	•	•	•	•	•	•	•	•			
496	400020	O-RING	•	•	•	•	•	•	•	•	•	•			
510	600760	DHW PADDLE ASSEMBLY	•	•	•	•	•	•	•	•	•	•			
511	5404600	O.R. 17,86x2,62	•	•	•	•	•	•	•	•	•	•			
516	5210670	STUD-FRONT PANEL	•	•	•	•	•	•	•	•	•	•			
518	5107180	PIN-HINGED FACIA PANEL 28/281	•	•	•	•	•	•	•	•	•	•			
525	8435260	IGNITOR	•	•	•	•	•	•	•	•	•	•			
601	5408560	O-RING 8,73x1,78	•	•	•	•	•	•	•	•	•	•			
631	5685240	AIR VENT PIPE - E125					•	•	•	•	•	•			

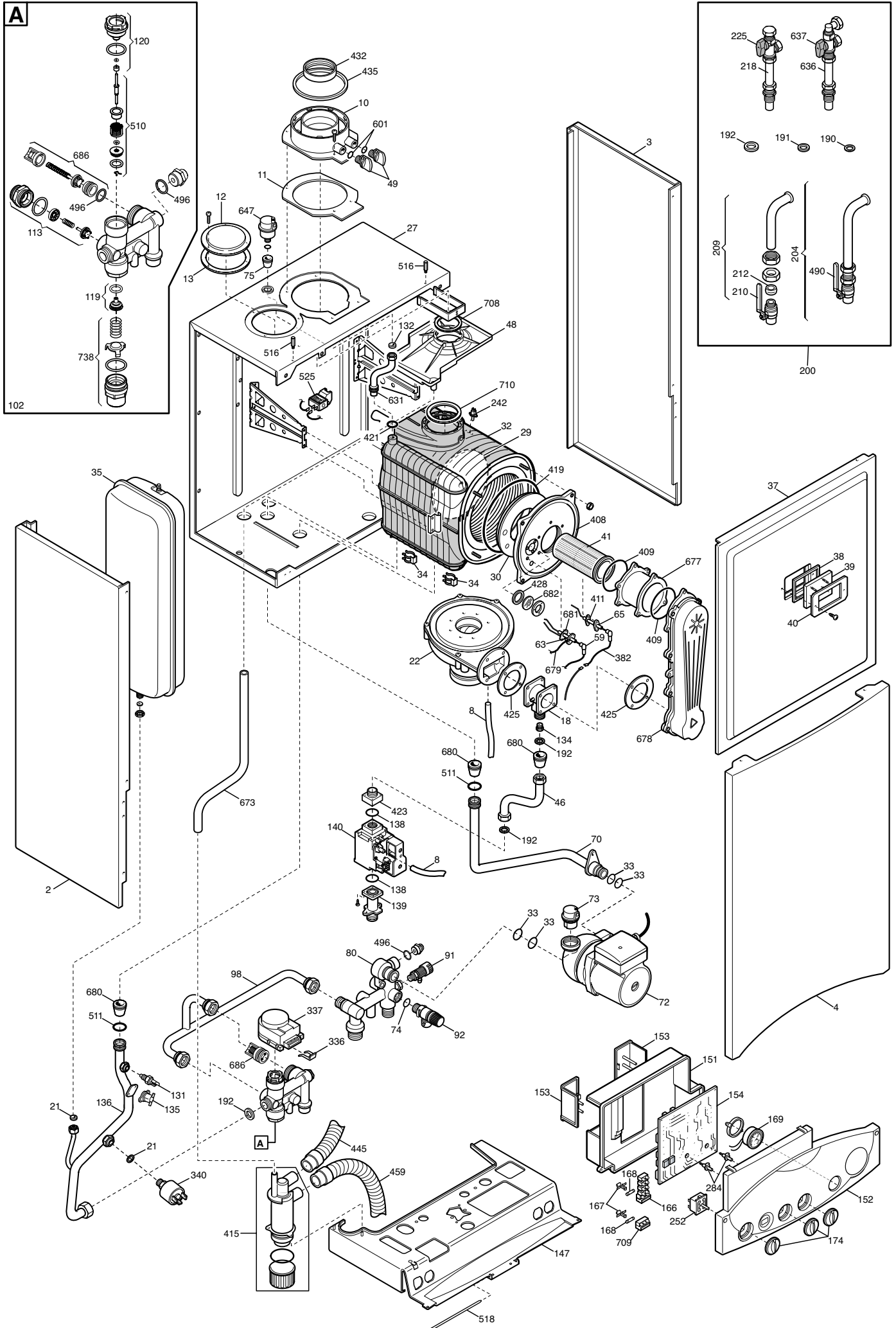


# Tab 133

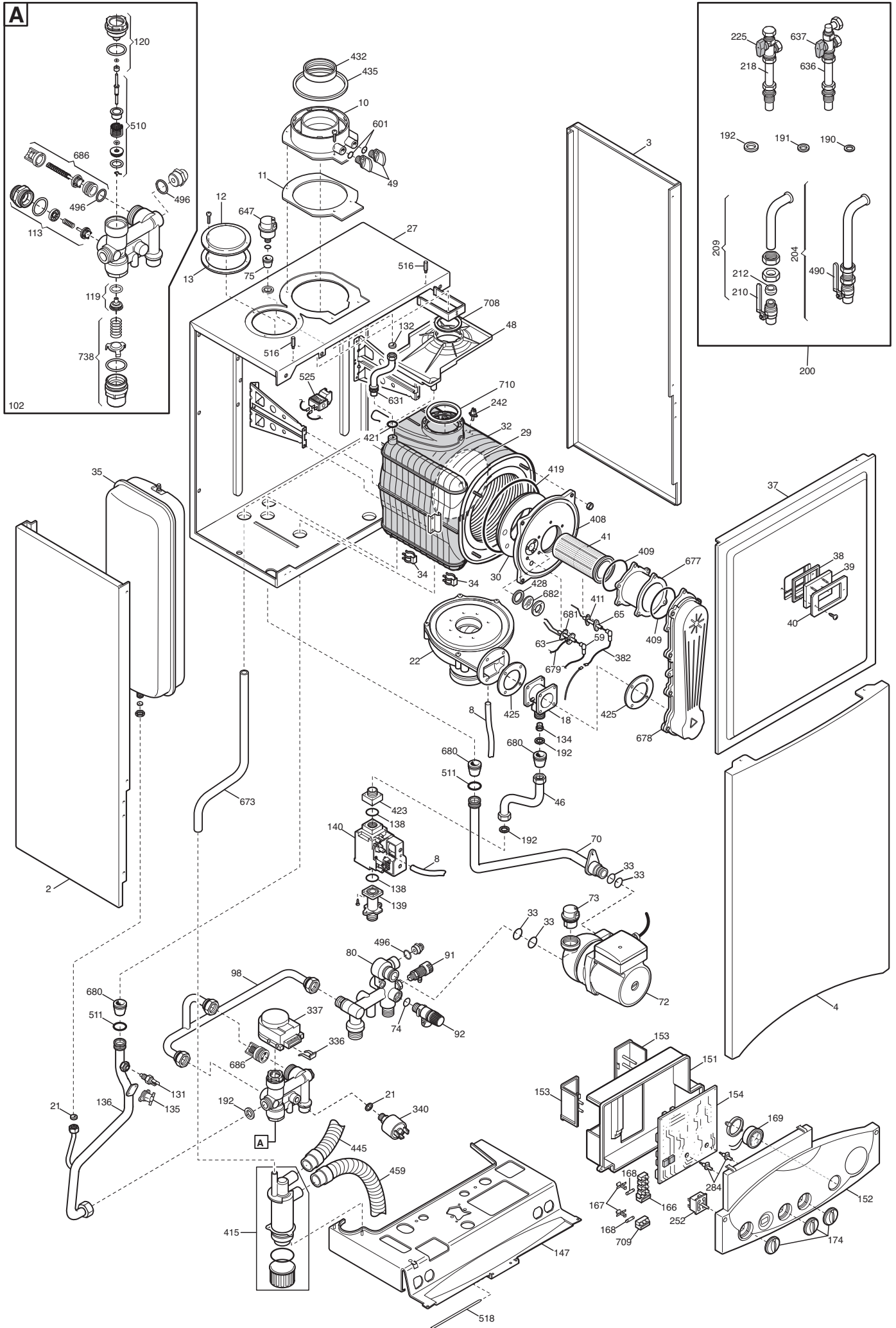




# Tab 135



# Tab 330





**BAXI**

**BAXI S.p.A.**  
**Via Trozzetti, 20**  
**36061 BASSANO DEL GRAPPA (VI)**  
**ITALY**  
**Tel. +390424517111**  
**Telefax +390424517379**  
**E-mail. [service@baxi.it](mailto:service@baxi.it)**