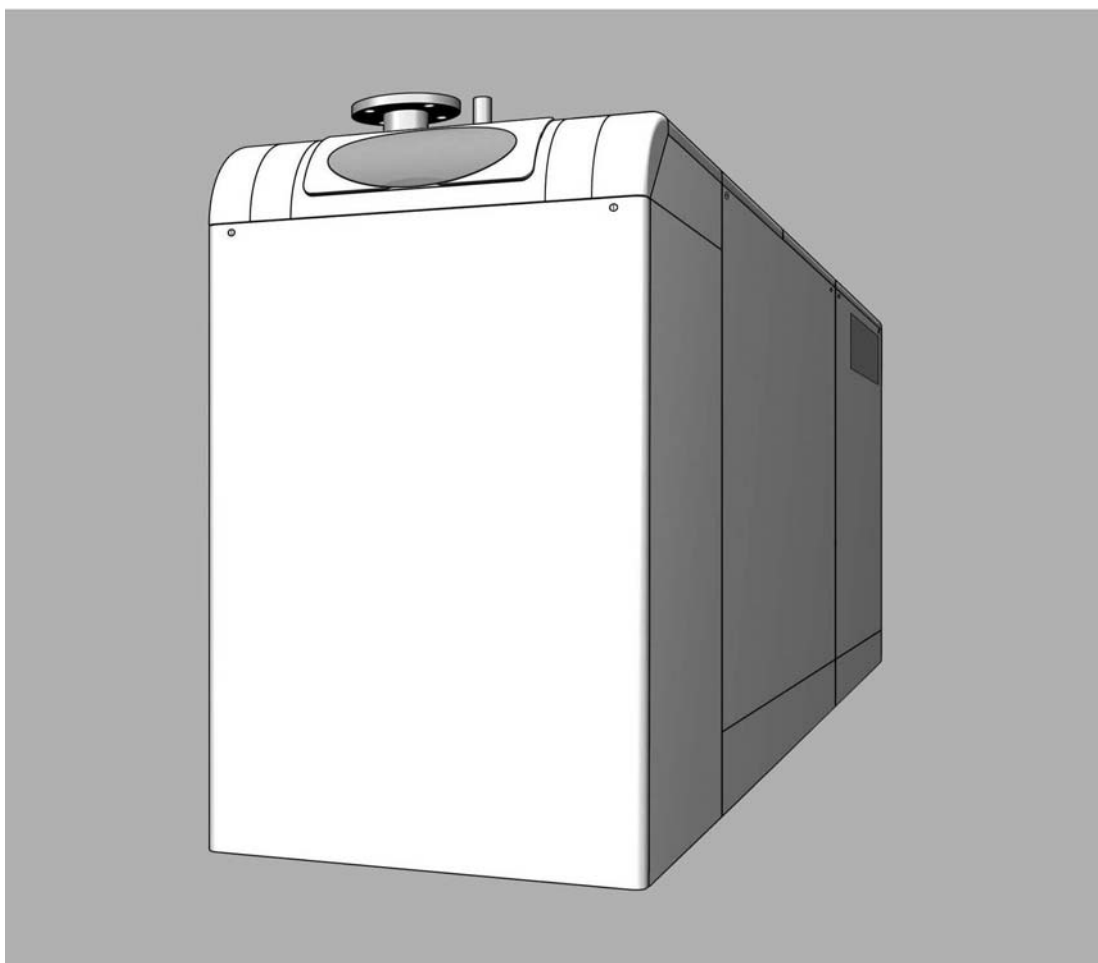


BAXI



POWER HT-A

SPARE PARTS CATALOGUE

- September 2013 -

Spare parts catalogue

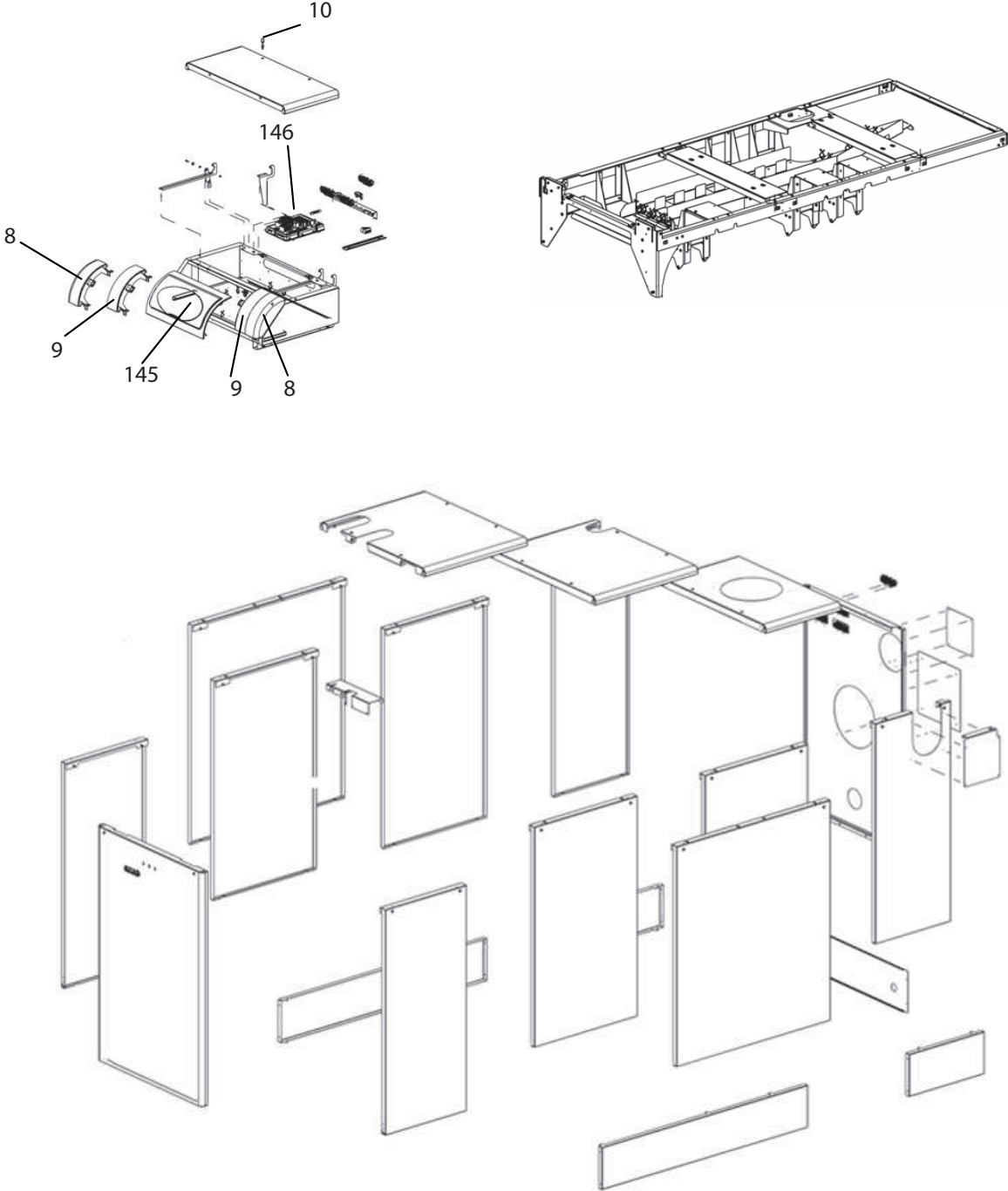
Pos.	Code	Description	LSX41143060 POWER HT 1.430	LSX41150060 POWER HT 1.500	LSX41157060 POWER HT 1.570	LSX41165060 POWER HT 1.650
		SHELL COMPONENTS				
8	620031	lateral cover of control
9	643276	adapter of cover of control panel middle piece
10	578899	quick lock 60 mm
		BOILER COMPONENTS				
44	730716400	collecting box condensed water SGB 400 E	.			
44	730716500	collecting box condensed water SGB 470-610 E		.	.	.
45	730716600	tightening cord
48	730716900	siphon SGB 410-610 E
72	730721100	gasket for maintenance flap SGB 400 E	.			
72	730721200	gasket for maintenance flap SGB 470 E		.		
72	730721300	gasket for maintenance flap SGB 540 E			.	
72	730721400	gasket for maintenance flap SGB 610 E				.
73	730721500	HEX tightening cord SGB 400-610 E
77	730721900	HEX SGB 400 E	.			
77	730722000	HEX SGB 470 E		.		
77	730722100	HEX SGB 540 E			.	
77	730722200	HEX SGB 610 E				.
78	730722300	sight glass SGB 400-610 E
82	57737300	Sheath
84	730723000	ignition and ionisation electrode
86	730723200	gasket for HEX covering sheet
94	730647300	pressure switch
96	730724500	ignition transfo
97	730724600	air pressure switch
o. A.	93692700	silicon hose 5x1.5 and T-piece
98	730724700	differential pressure switch SGB 400-610 E
o. A.	730730900	set of gaskets SGB 400-610 E
		BURNER COMPONENTS				
116	730726000	Venturi unit type VMU500 SGB 400-540 E	.	.	.	
116	730726100	Venturi unit type VMU680 SGB 610 E				.
120	730726500	fan type G3G250GN4426 SGB 400-610 E
121	730726600	air-flap SGB 400-610 E
122	730726700	connection for mixing unit
123	730726800	burner bar SGB 400 E	.			
123	730726900	burner bar SGB 470 E		.		
123	730727000	burner bar SGB 540 E			.	
123	730727100	burner bar SGB 610 E				.
124	730727200	burner insulation plate SGB 400-610 E
130	730727700	gas pressure switch SGB 400-540 E	.	.	.	
130	730727800	gas pressure switch SGB 610 E				.
131	730727900	gas valve type VR434VE5021 SGB 400-540 E	.	.	.	
131	730728000	gas valve type MBC 700-N SGB 610 E				.

Spare parts catalogue

132	730728100	gas filter SGB 400-540 E	•	•	•	•
o. A.	730730800	service set SGB 400 E	•	•	•	•
o. A.	730730900	set of gaskets SGB 400-610 E	•	•	•	•
		CONTROL COMPONENTS				
145	620017	hinged cover of control panel	•	•	•	•
146	730729100	central board LMS 14 SGB 400 E	•			
146	730729200	central board LMS 14 SGB 470 E		•		
146	730729300	central board LMS 14 SGB 540 E			•	
146	730729400	central board LMS 14 SGB 610 E				•
146	730729500	Service LMS14 - SGB125-610E programmable	•	•	•	•
o. A.	635936	fuse with holder	•	•	•	•
o. A.	627498	plug outdoor sensor	•	•	•	•
o. A.	644556	plug RAST 5 -K2	•	•	•	•
o. A.	641371	plug DHW pump	•	•	•	•
o. A.	730730100	harness SGB 400-610 E	•	•	•	•
o. A.	691949	QAC 34 B outdoor sensor	•	•	•	•
o. A.	811545	central board display (ES,FR,GB, IT,NL, PL)	•	•	•	•
o. A.	627436	rotary knob of display	•	•	•	•
o. A.	627405	switch grey	•	•	•	•
o. A.	627450	calipers grey	•	•	•	•

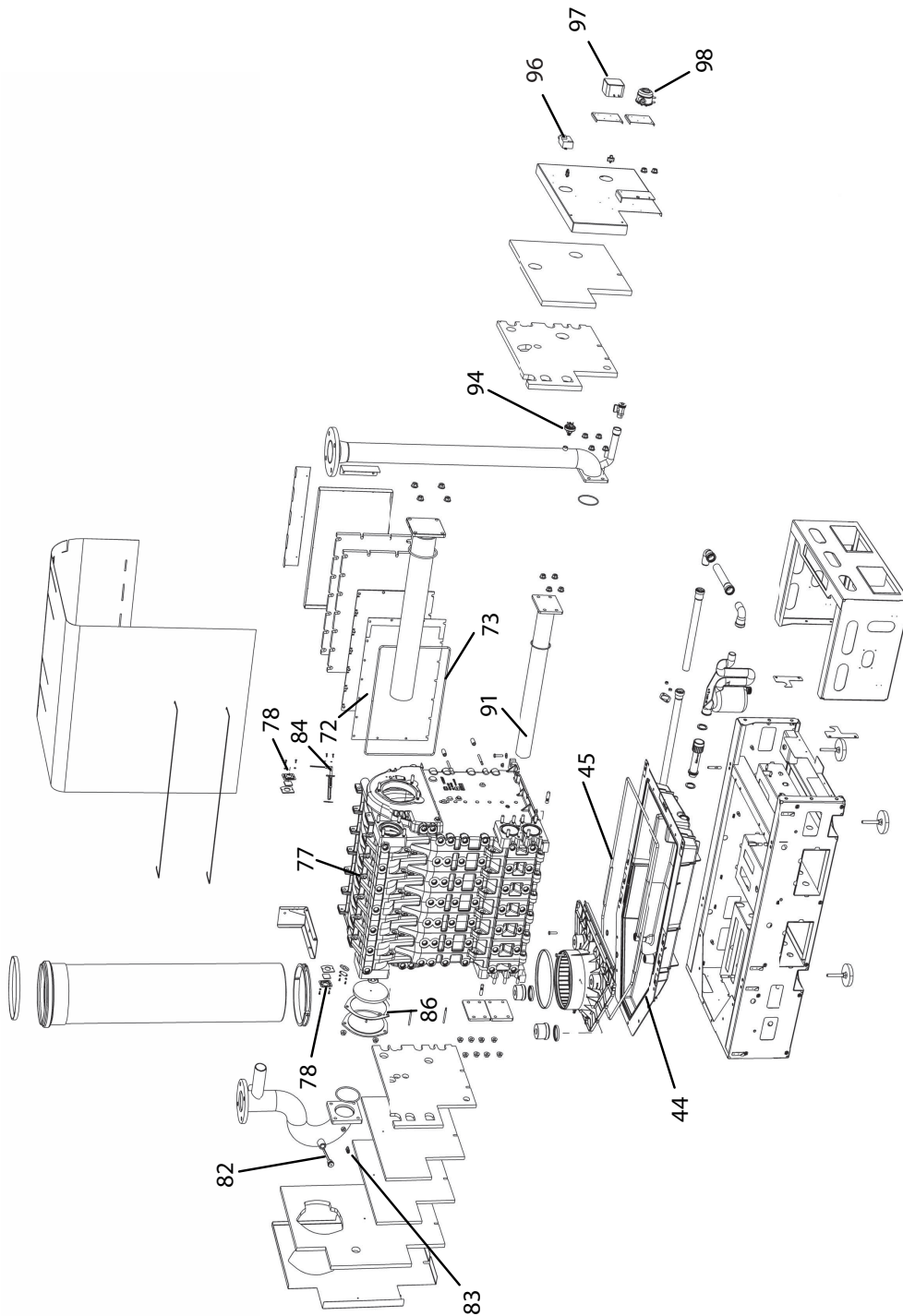
Power HT 430-650 kW

Shell and control components

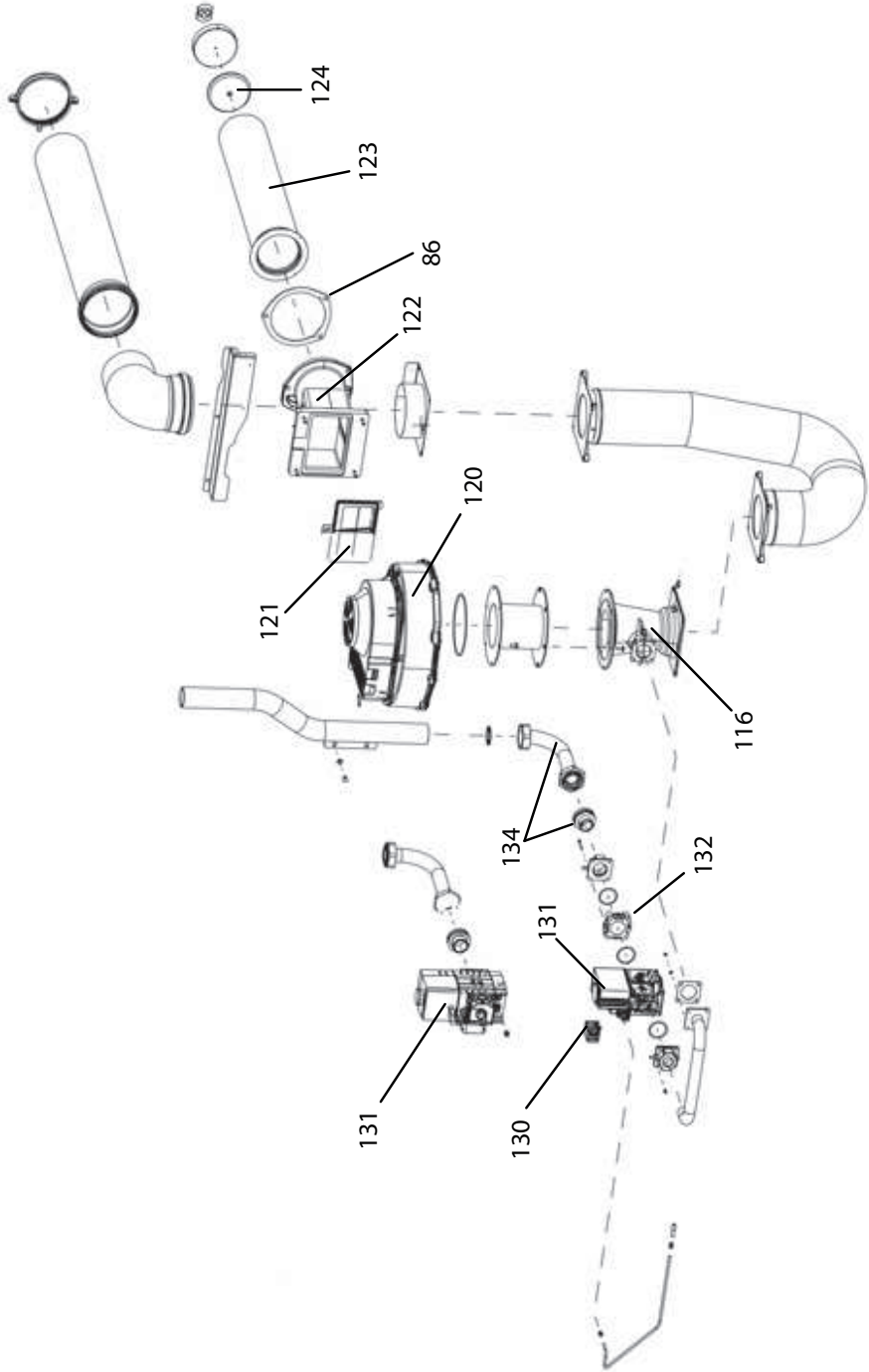


Power HT 430-650 kW

Boiler components



Burner components



BAXI

BAXI S.p.A.
Via Trozzetti, 20
36061 BASSANO DEL GRAPPA (VI)
ITALY
Tel. +390424517111
Telefax +390424517379
E-mail. service@baxi.it