

## COMBI FOR LUNA4 SERIES

# SPARE PARTS CATALOGUE

- January 2014 -

# HOW TO READ THE SPARE PARTS CATALOGUE

## HOW TO READ THE SPARE PARTS CATALOGUE

In the spare part catalogue, after the exploded diagrams, there are the components lists of the boilers; this is the meaning of the different columns:

**Pos.** Identification number of the component in the exploded diagram of the boiler.

**Description** Short description of the component.

**Code** BAXI S.p.A. code of the component.

**Tab. XX** XX is the exploded diagram number of the boiler taken into consideration.

**From serial number** Date (year and week) identifying the beginning of production of a component (taken from the serial number of the boiler).  
e.g. **1201**: **year 2012** (1 identifies the decade 2010-2019; 2 identifies the year) – **1th week**.  
If the box is empty, the component is in use from the beginning of production of the boiler.

**To serial number** Date (year and week) identifying the end of production of a component (taken from the serial number of the boiler).  
e.g. **1225**: **year 2012** (1 identifies the decade 2010-2019; 2 identifies the year) – **25<sup>th</sup> week**.

**Interchangeable** If the box is empty, the component is still in use.  
It identifies the interchangeability between the new component and the old one.

YES: components are interchangeable.

NO: components are not interchangeable.

### BOILERS CONNECTION BOARD - EXPLODED VIEW

### TABELLA COLLEGAMENTO CODICE CALDAIA - ESPLOSO

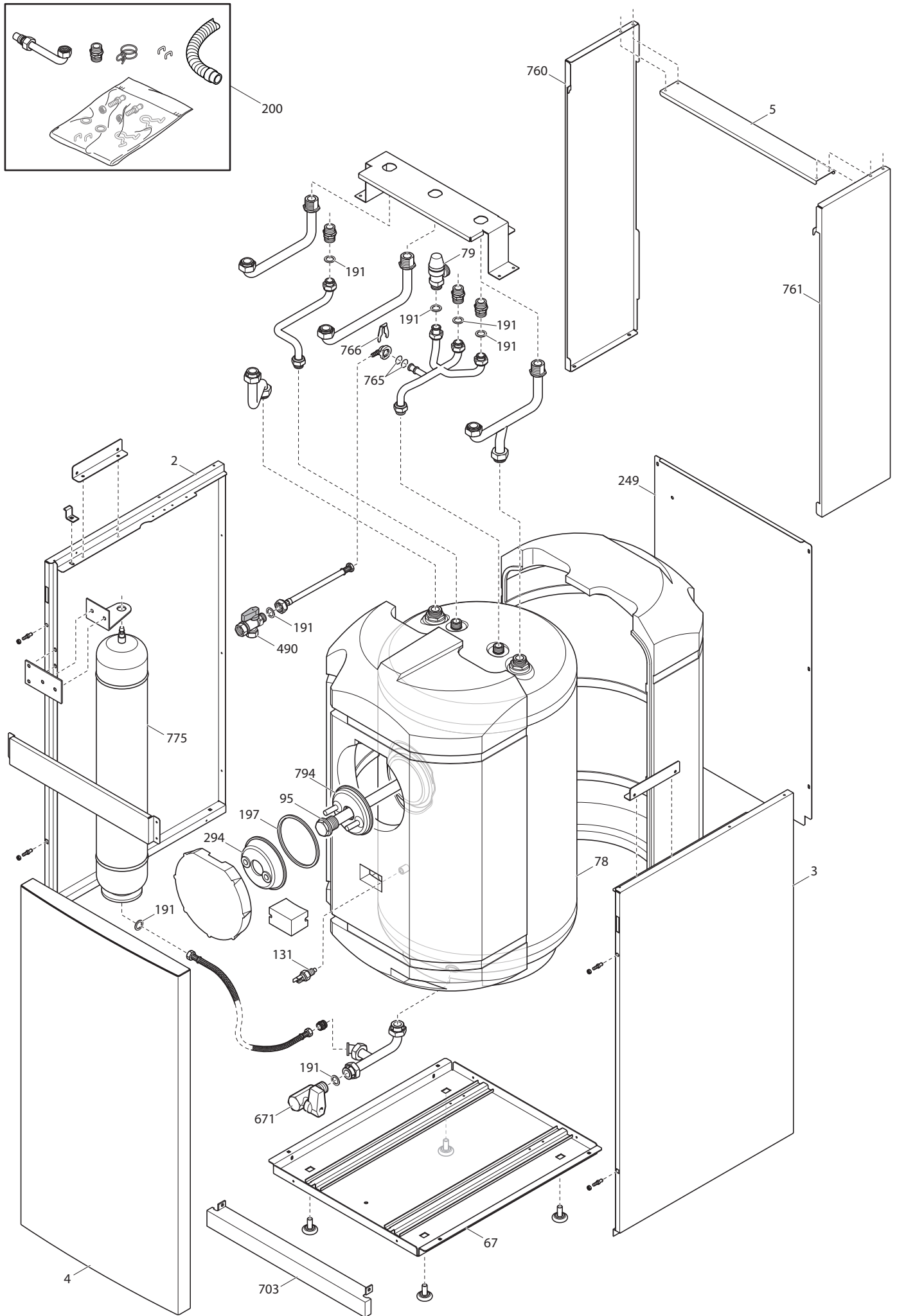
### TABLERO UNIÓN CALDERA - EXPLOSIONADO

### TABLEAU CONNECTION CODEX CHAUDIERE - VUE ECLATEE

| BOILER CODE    | BOILER DESCRIPTION    | EXPLODED REF.     |
|----------------|-----------------------|-------------------|
| CODICE CALDAIA | DESCRIZIONE CALDAIA   | RIF. ESPLOSO      |
| CODIGO CALDERA | DESCRIPCION CALDERA   | REF. EXPLOSIONADO |
| CODE CHAUDIÈRE | DESCRIPTION CHAUDIÈRE | RÉF. EXPLOSÉE     |
| 711349301      | COMBI 80L BAXI        | Tab 512           |
| 711349302      | COMBI 80L+ BAXI       | Tab 512           |

| Pos | Code      | Наименование                            | COMBI 80L + BAXI<br>711349301 | COMBI 80L + BAXI<br>711349302 | До серийного номера | Начиная с серийного<br>номера | Взаимозаменяемость | Код новой детали | модели COMBI 80L +<br>BAXI |
|-----|-----------|---|-------------------------------|-------------------------------|---------------------|-------------------------------|--------------------|------------------|----------------------------|
| 2   | 711518600 | Панель левая                            | X                             | X                             |                     |                               |                    |                  | XXX                        |
| 3   | 711518700 | Панель правая                           | X                             | X                             |                     |                               |                    |                  | XXX                        |
| 4   | 711350300 | Панель передняя                         | X                             | X                             |                     |                               |                    |                  | XXX                        |
| 5   | 3110030   | Планка крепления панелей горизонтальная | X                             | X                             |                     |                               |                    |                  | XXX                        |
| 67  | 3619910   | Поддон                                  | X                             | X                             |                     |                               |                    |                  | XXX                        |
| 78  | 711109100 | Бак с термоизоляцией                    | X                             | X                             |                     |                               |                    |                  | XXX                        |
| 79  | 9950620   | Клапан безопасности 8 BAR               | X                             | X                             |                     |                               |                    |                  | XXX                        |
| 95  | 3627180   | Анод магниевый                          | X                             | X                             |                     |                               |                    |                  | XXX                        |
| 191 | 5408970   | Уплотнение                              | X                             | X                             |                     |                               |                    |                  | XXX                        |
| 197 | 5412820   | Уплотнение фланца                       | X                             | X                             |                     |                               |                    |                  | XXX                        |
| 200 | 711350400 | Комплект гидравлических соединений      | X                             | X                             |                     |                               |                    |                  | XXX                        |
| 249 | 3109950   | Панель задняя                           | X                             | X                             |                     |                               |                    |                  | XXX                        |
| 294 | 5115820   | Фланец наружная часть                   | X                             | X                             |                     |                               |                    |                  | XXX                        |
| 490 | 710227300 | Кран G1/2                               | X                             | X                             |                     |                               |                    |                  | XXX                        |
| 671 | 5646780   | Кран сливной G 1/2                      | X                             | X                             |                     |                               |                    |                  | XXX                        |
| 760 | 711026200 | Панель дополнительная левая             | X                             | X                             |                     |                               |                    |                  | XXX                        |
| 761 | 711016500 | Панель дополнительная правая            | X                             | X                             |                     |                               |                    |                  | XXX                        |
| 765 | 710045700 | Уплотнение кольцевое d.9,19 X 2,62      | X                             | X                             |                     |                               |                    |                  | XXX                        |
| 775 | 7227490   | Бак расширительный 4 LT                 |                               | X                             |                     |                               |                    |                  | XXX                        |
| 794 | 5115810   | Фланец внутренняя часть                 | X                             | X                             |                     |                               |                    |                  | XXX                        |
| 806 | 710110600 | Клипса d.10                             | X                             | X                             |                     |                               |                    |                  | XXX                        |
| 999 | 8611980   | Проводка электрическая                  | X                             | X                             |                     |                               |                    |                  | XXX                        |

# Tab 512







**BAXI**

**BAXI S.p.A.**  
**Via Trozzetti, 20**  
**36061 BASSANO DEL GRAPPA (VI)**  
**ITALY**  
**Tel. +390424517111**  
**Telefax +390424517379**  
**E-mail. [service@baxi.it](mailto:service@baxi.it)**