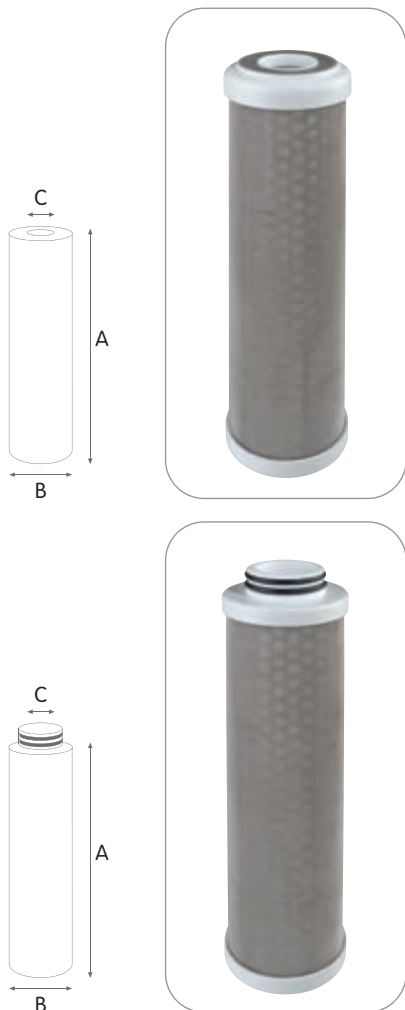




# RA A stainless steel washable net AISI 316

**Sediment filtration.**  
**Average life-span:** from 3 to 5 years.  
**Maintenance:** wash every month at least.



RA cartridges are available in a variety of:

**CONFIGURATIONS:**

- SX standard configuration double open end (DOE) available for every height and diameter.
- BX proprietary configuration with double o-ring collar 45 mm, suitable to PLUS 3P BX housings, DP housings, K DP housings.
- CX proprietary configuration with double o-ring collar 57 mm, suitable to PLUS 3P CX, K DP housings.

**MODELS:**

- RA MIGNON series 5”M OD 1.77” ID 0.71”, SX configuration.
- RA series from 4” to 20” OD 2.40” ID 1.10”, SX, BX, CX configurations.

**VARIANTS AVAILABLE ON MINIMUM QUANTITY:**

- Filter rates from 100 to 500 micron.

**CERTIFICATIONS**



RA cartridges are tested and certified under the most stringent procedures worldwide, in compliance with DM 25 (Italy), with the sanitary certification ACS (France), EAC/Ghostreghistrazia (Russia) and WaterMark (Australia).

**WORKING CONDITIONS**

Max working temperature 80°C (176°F)  
 Min working temperature 4°C (39,2°F)

**SPECIFICATIONS**

Non-toxic materials, suitable for drinking water.  
 Filter medium and inner armoring: stainless steel net AISI 316.  
 Inner core and end caps: polypropylene.  
 Flat seals SX: SEBS with antimicrobial technology.  
 O-rings BX and CX: EPDM.

Cartridges with stainless steel net and stainless steel inner armoring, with consistent water flow and very low pressure drop, standard filtration at 70 micron. Easy-to-wash filter net, long term durability of the materials and high collapse resistance make this cartridge range the most suitable for well water filtration. Available in 2 main versions: RA A made with AISI 316 stainless steel, RA C made with AISI 304 stainless steel. Height from 4” to 20”.

**RA A SX**

**STAINLESS STEEL AISI 316 WASHABLE NET WITH DOUBLE OPEN END (DOE)**

CODE	MODEL	NOMINAL HEIGHT	NOMINAL FILTRATION MICRON	RECOMMENDED FLOW RATE l/h	DIMENSIONS MM		
					A	B	C
<b>OD 1,77” x ID 0,71”</b>							
RA5060116	RA MIGNON A SX 70 mcr	5” M	70	800	122	50	20
<b>OD 2,40” x ID 1,10”</b>							
RA5061116	RA 4 A SX 70 mcr	4”	70	1000	101	70	30
RA5062116	RA 5 A SX 70 mcr	5”	70	1200	125	70	30
RA5064116	RA 7 A SX 70 mcr	7”	70	1700	173	70	30
RA5065116	RA 10 A SX 70 mcr	10”	70	2500	250	70	30
RA5067116	RA 20 A SX 70 mcr	20”	70	4000	505	70	30

**RA A BX**

**STAINLESS STEEL AISI 316 WASHABLE NET WITH DOUBLE O-RING COLLAR 45 MM**

CODE	MODEL	NOMINAL HEIGHT	NOMINAL FILTRATION MICRON	RECOMMENDED FLOW RATE l/h	DIMENSIONS MM		
					A	B	C
<b>OD 2,40” x ID 1,10”</b>							
RA5062216	RA 5 A BX 70 mcr	5”	70	1200	125	70	30
RA5064216	RA 7 A BX 70 mcr	7”	70	1700	173	70	30
RA5065216	RA 10 A BX 70 mcr	10”	70	2500	250	70	30
RA5067216	RA 20 A BX 70 mcr	20”	70	4000	505	70	30

**RA A CX**

**STAINLESS STEEL AISI 316 WASHABLE NET WITH DOUBLE O-RING COLLAR 57 MM**

CODE	MODEL	NOMINAL HEIGHT	NOMINAL FILTRATION MICRON	RECOMMENDED FLOW RATE l/h	DIMENSIONS MM		
					A	B	C
<b>OD 2,40” x ID 1,10”</b>							
RA5065316	RA 10 A CX 70 mcr	10”	70	2500	250	70	40
RA5067316	RA 20 A CX 70 mcr	20”	70	4000	505	70	40

SEDIMENT CARTRIDGES



# RA C stainless steel washable net AISI 304

**Sediment filtration.**  
**Average life-span:** from 3 to 5 years.  
**Maintenance:** wash every month at least.

## WORKING CONDITIONS

Max working temperature 80°C (176°F)  
 Min working temperature 4°C (39,2°F)

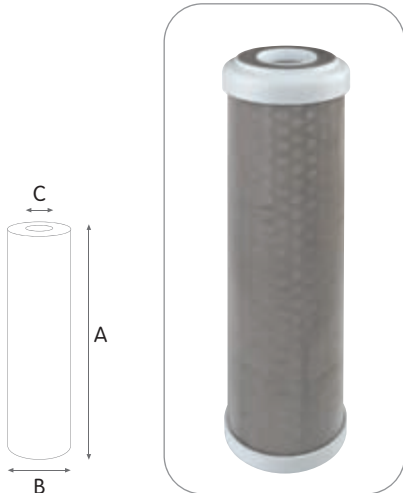
## SPECIFICATIONS

Non-toxic materials, suitable for drinking water.  
 Filter medium and inner armouring: stainless steel net AISI 304.  
 Inner core and end caps: polypropylene.  
 Flat seals SX: SEBS with antimicrobial technology.  
 O-rings BX and CX: EPDM.

## RA C SX

### STAINLESS STEEL AISI 304 WASHABLE NET WITH DOUBLE OPEN END (DOE)

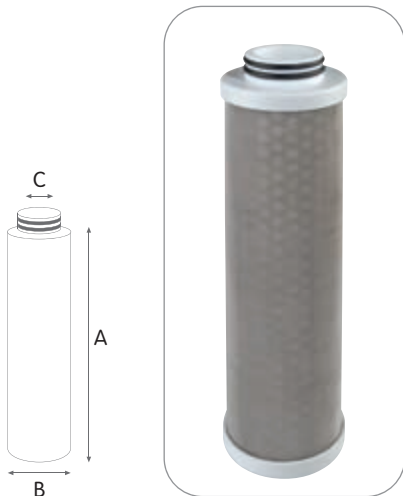
CODE	MODEL	NOMINAL HEIGHT	NOMINAL FILTRATION MICRON	RECOMMENDED FLOW RATE l/h	DIMENSIONS MM		
					A	B	C
<b>OD 1,77" x ID 0,71"</b>							
RA5080116	RA MIGNON C SX 70 mcr	5" M	70	800	122	50	20
<b>OD 2,40" x ID 1,10"</b>							
RA5081116	RA 4 C SX 70 mcr	4"	70	1000	101	70	30
RA5082116	RA 5 C SX 70 mcr	5"	70	1200	125	70	30
RA5084116	RA 7 C SX 70 mcr	7"	70	1700	173	70	30
RA5085116	RA 10 C SX 70 mcr	10"	70	2500	250	70	30
RA5087116	RA 20 C SX 70 mcr	20"	70	4000	505	70	30



## RA C BX

### STAINLESS STEEL AISI 304 WASHABLE NET WITH DOUBLE O-RING COLLAR 45 MM

CODE	MODEL	NOMINAL HEIGHT	NOMINAL FILTRATION MICRON	RECOMMENDED FLOW RATE l/h	DIMENSIONS MM		
					A	B	C
<b>OD 2,40" x ID 1,10"</b>							
RA5082216	RA 5 C BX 70 mcr	5"	70	1200	125	70	30
RA5084216	RA 7 C BX 70 mcr	7"	70	1700	173	70	30
RA5085216	RA 10 C BX 70 mcr	10"	70	2500	250	70	30
RA5087216	RA 20 C BX 70 mcr	20"	70	4000	505	70	30



## RA C CX

### STAINLESS STEEL AISI 304 WASHABLE NET WITH DOUBLE O-RING COLLAR 57 MM

CODE	MODEL	NOMINAL HEIGHT	NOMINAL FILTRATION MICRON	RECOMMENDED FLOW RATE l/h	DIMENSIONS MM		
					A	B	C
<b>OD 2,40" x ID 1,10"</b>							
RA5085316	RA 10 C CX 70 mcr	10"	70	2500	250	70	40
RA5087316	RA 20 C CX 70 mcr	20"	70	4000	505	70	40

### FLOW RATE vs PRESSURE DROP Δp

Tests carried on 10" elements type **RA 10 SX**.  
 Testing mode: 20°C, 3 BAR

