



## OASIS DP RO

Reverse Osmosis Units with Made in Italy components

## OASIS DP SANIC RO

Reverse Osmosis Units with Made in Italy components

Keep your filters protected  
with silver based Antimicrobial Technology



- GB** INSTRUCTIONS FOR INSTALLATION
- F** INSTRUCTIONS D'INSTALLATION
- E** INSTRUCCIONES PARA LA INSTALACIÓN
- D** INSTALLATIONSANWEISUNGEN
- RU** ИНСТРУКЦИИ ПО УСТАНОВКЕ
- KSA** تعليمات التثبيت



<b>ENGLISH</b> .....	p. 4
<b>FRANÇAIS</b> .....	p. 15
<b>ESPAÑOL</b> .....	p. 26
<b>DEUTSCH</b> .....	p. 37
<b>РУССКИЙ</b> .....	p. 48
<b>العربية</b> .....	p. 69

# OASIS DP - Reverse Osmosis Units

## INSTALLATION, USE AND MAINTENANCE MANUAL

GB

Dear Customer, thanks for choosing this Atlas Filtri product.

### 1. GENERAL INFORMATION

The indications in this manual apply to models:

OASIS DP STD  
OASIS DP PUMP  
OASIS DP UV  
OASIS DP PUMP-UV  
OASIS DP-F PUMP  
OASIS DP-F PUMP-UV



OASIS DP SANIC STD  
OASIS DP SANIC PUMP  
OASIS DP SANIC UV  
OASIS DP SANIC PUMP-UV  
OASIS DP-F SANIC PUMP  
OASIS DP-F SANIC PUMP-UV

OASIS DP is a device intended to process drinking water able to modify its organoleptic and chemical properties, reducing the saline content while guaranteeing microbiological safety.

Correct use and maintenance permit the reduction of most pollutants such as insecticides, pesticides, fertilisers, hazardous organic substances, heavy metals, pathogen micro-organisms.

#### 1.1 SYMBOLS USED

##### GENERAL INFORMATION



Indicates a warning or note on key functions or helpful information.

Pay the utmost attention to text marked with this symbol.



Indicates a manual adjustment that may also require the use of portable equipment or tools.



A measurement must be taken, a signal checked or a visual inspection made.

##### HAZARD INDICATIONS



Generic hazard, with risk to the user.



Electrical hazard.

##### PROHIBITION INDICATIONS



Prohibited.

#### 1.2 CONDITIONS OF USE



OASIS DP is not a drinking water maker. Do not use for uses intended for drinking water in the event of originally non-drinking water or of unknown quality.



Perform periodic routine maintenance to guarantee processed water drinking requirements and maintain the stated performance levels.

Use only with water with a pH between 6.5 and 9.5.

Observe the use limits indicated on the label.

Keep away from excessive heat and cold: min 4°C (39.2°F) - max 45°C (113°F).

In the event of prolonged disuse, remove the cartridges and membranes and, when reused, insert new ones. After servicing, let the water run for at least 5 minutes before using it.

➔ At the end of the OASIS device working life and relevant cartridges, membranes and UV lamps, discard according to current local law.

---

## 2. INSTALLATION

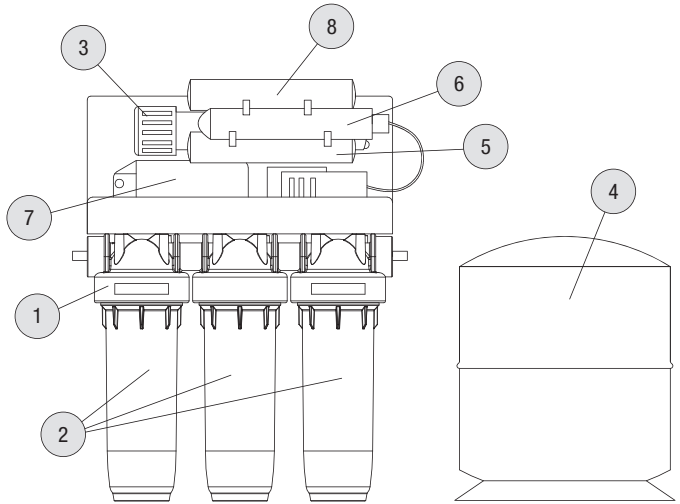
### 2.1 Preface

➔ Assembly and installation must be performed by qualified personnel according to current local regulations. Before performing any operation, carefully read the instructions in this manual. Keep the manual and protect it against anything that could compromise its legibility.

---

### 2.2 Main components

- 1 DP TRIO head for housings for filter cartridges
- 2 DP TRIO housing bowls for filter cartridges
- 3 RO VESSEL housing for osmosis membrane
- 4 Storage tank
- 5 AIC activated carbon post-filter
- 6 UV lamp (UV models)
- 7 Booster pump (PUMP models)
- 8 AIM re-mineralising post-filter




### 2.3 Connections diagram (fig. 1 and fig. 2)

➔ The percentage of dissolved salt and other rejected elements depends on the water quality, temperature, pressure and total amount of dissolved salts and varies according to the type of salt or elements.

Processing particularly turbid water or with many impurities can clog filters and/or membranes with the consequent loss of water flow.

---

 Sewage water, sea water or water with chemical, physical and bacteriological conditions that can not be subject to Reverse Osmosis (industrial water or chemical processing waste) cannot be processed.

---

 Ultraviolet ray lamps are hazardous to the eyes, avoid direct exposure.

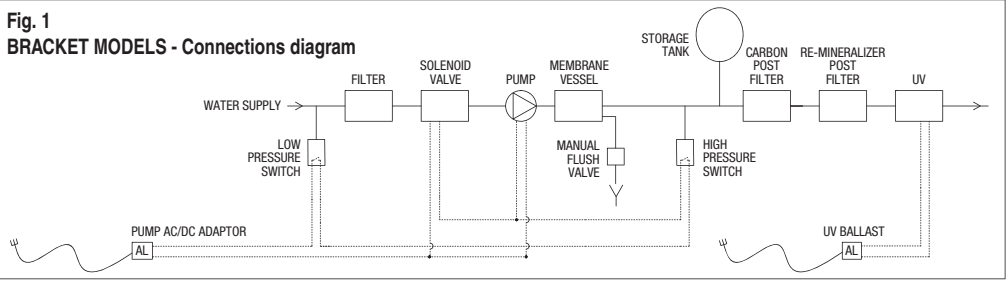
---

### 2.4 Technical specifications (tab. A)

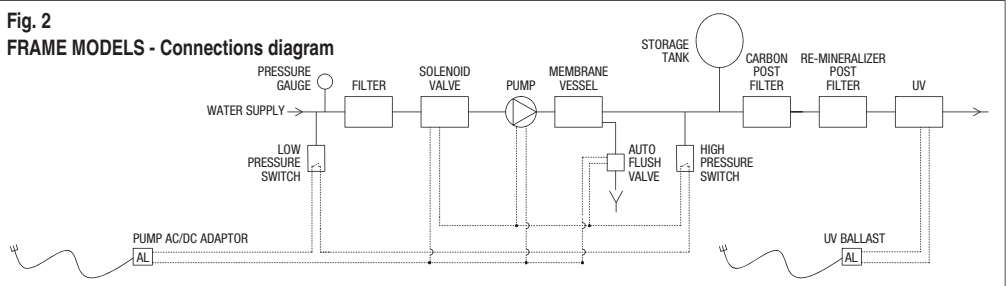
➔ Product use in working conditions other than the TECHNICAL SPECIFICATIONS is considered IMPROPER USE. The manufacturer cannot be held liable for any damages caused by improper use, by failure to observe what indicated in this manual, by repairs not performed by professionally qualified personnel or due to changes and alterations to the original device functions.

---

**Fig. 1**  
**BRACKET MODELS - Connections diagram**



**Fig. 2**  
**FRAME MODELS - Connections diagram**



**Tab. A**

		Model				
	Technical Specification	Unit of Measure	STD	UV	PUMP	PUMP UV
	Max dimensions Bracket model	mm	580x370x150	580x370x150	580x370x150	580x370x150
	Max dimensions Frame model (height x width x depth)	mm			510x380x200	510x380x200
	Metal storage tank dimensions	mm	280x345	280x345	280x345	280x345
	Plastic storage tank dimensions (diameter x height)	mm	284x400	284x400	284x400	284x400
	Weight	kg	5	5,5	7	7,5
	Max daily production 50 GPD	l	190	190	190	190
	Max daily production 100 GPD	l	380	380	380	380
	Percent recovery	%	20	20	20	20
	Saline rejection	%	90	90	95	95
	Bacterial rejection	%	> 98	> 98	> 98	> 98
Feed water	Max. feed water TDS	mg/l (ppm)	1000	1000	1000	1000
	Max. feed water temperature	°C	30	30	30	30
	Min. feed flow	l/h	100	100	100	100
	Min. feed pressure	bar	3	3	1	1
	Max. feed pressure	bar	8	8	3	3
UV	Electric power			Single phase + Grounding		Single phase + Grounding
	Rated voltage	V		220/230		220/230
	Frequency	Hz		50/60		50/60
	Absorbed current	A		0,1 - 0,12A		0,1 - 0,12A
	Power	W		6W		6W
Pump	Power type				Direct current	Direct current
	Rated voltage	V			24	24
	Head	psi			116	116

## 2.5 Production installation



Before installation, make sure the plumbing system has been installed as for the existing rules of the state of the art.

Install a bypass that permits unit's by-passing.

Install a check valve from the unit to the water mains.

For mains pressure over 8 bar (116 psi) a pressure reducer must be installed upstream from the product. Protect the product against "water hammer" using an appropriate anti-water hammer system (expansion vessels, shock absorbers).

For mains pressure under 3 bar, install pump models (PUMP, PUMP-UV).



Presence and efficiency of the grounding of the power line.

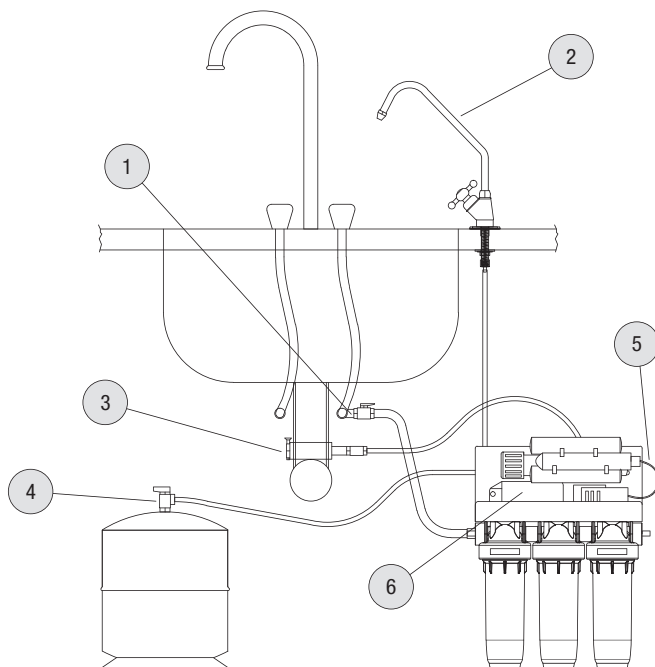
Power line compatibility with the electrical specifications of booster pump (for PUMP models) and UV lamp (for UV models).

Power wires diameter over 1 mm.

Mains voltage stability (voltage peaks under 10%).

### INSTALLATION DIAGRAM

- 1 Water supply
- 2 Processed water tap
- 3 Drain bracket
- 4 Storage tank tap
- 5 UV lamp power (optional)
- 6 Booster pump (optional)



### 2.5.1 Typical installation with 1/2" MF water intake

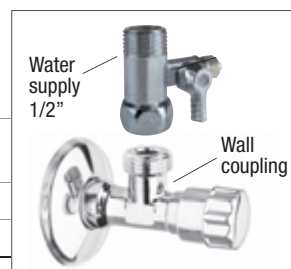


Unscrew the cold water hose nut from the wall coupling.

With sealing tape (PTFE), install the 1/2" MF water intake with the 1/4" tap.

Reassemble the previously detached hose on the water intake male.

Connect the OASIS 1/4" hose to the water intake.



## 2.5.2 Drain bracket installation



Install the drain bracket on the sink drain siphon.

Make sure the gasket correctly rests on the pipe and that the bolts are tight.

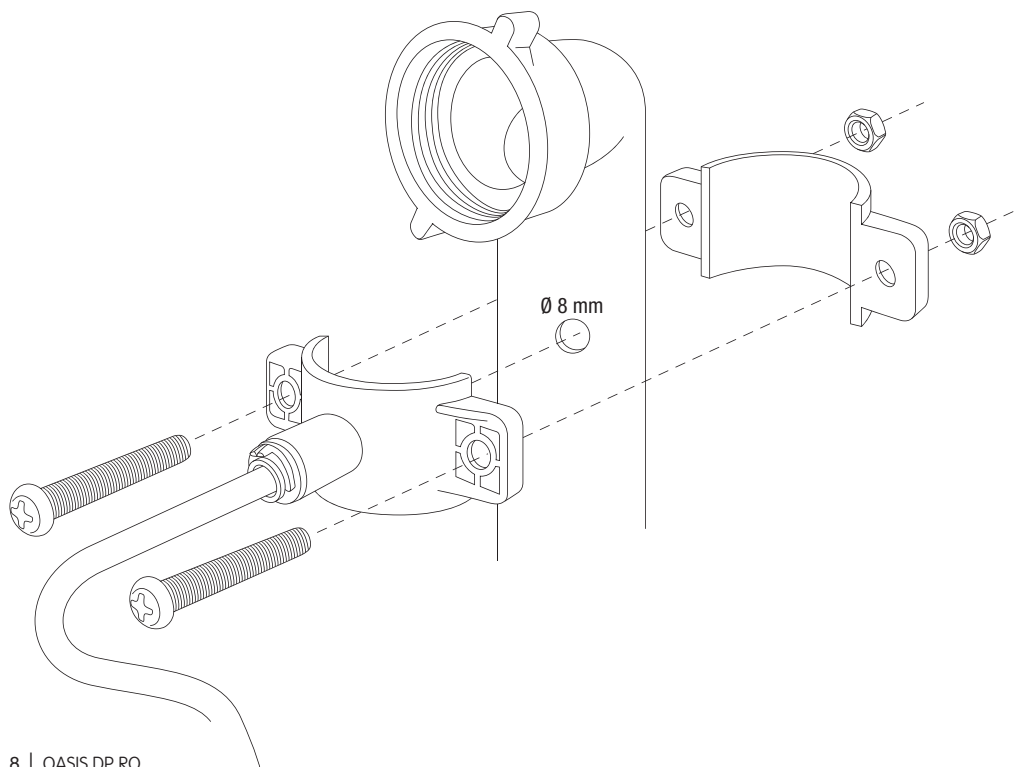
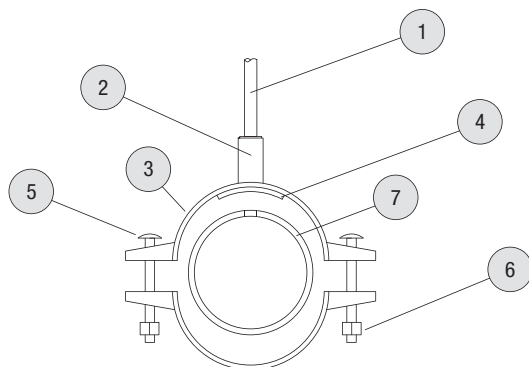
Remove the drain pipe fastening nut.

Using a drill with a 6mm bit, drill a hole on the drain siphon pipe where the nut was just removed.

Insert the drain pipe in the nut by about 2 cm and screw the fastening nut onto the bracket.

Tighten the fastening nut and install the check valve with the arrow facing the bracket, as close to the drain as possible.

- 1 Drain pipe
- 2 Quick coupling
- 3 Drain bracket
- 4 Gasket
- 5 Bolt
- 6 Bolt lock nut
- 7 Sink drain siphon pipe





### 2.5.3 Storage tank installation



Place the tank near the machine.

Loosen the fastening nut on the tank ball valve.

Insert the 1/4" tank connection pipe and tighten the fastening nut.

Connect the 1/4" pipe to the machine.

### 2.5.4 Dedicated tap installation



Drill a 12mm diameter hole on the sink bottom (no. 6), remove any burrs with a round file.

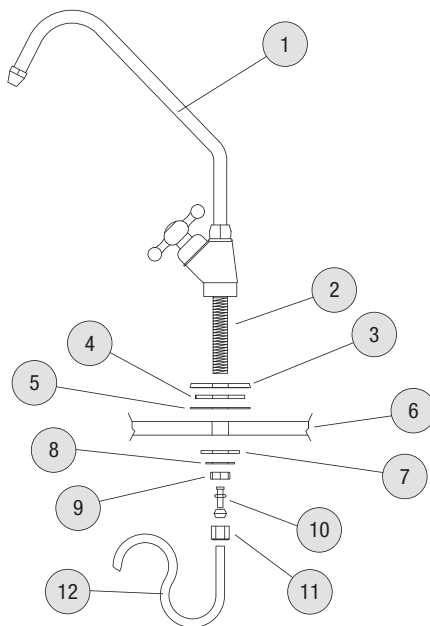
Place the gasket (no. 5) with spacer (no. 4) and chrome-plated base (no. 3) on the hole, insert the threaded tap rod (no. 2).

ON the bottom side, insert in order the gasket (no. 7), elastic washer (no. 8) and screw in the fastening nut (no. 9).

Insert the pipe (no. 12) in the end nut (no. 11) and plastic ring (no. 10).

Tighten the end nut (no. 11) on the threaded tap rod (no. 2).

- 1 Tap
- 2 Threaded tap rod
- 3 Chrome-plated base
- 4 Spacer
- 5 Gasket
- 6 Sink base
- 7 Gasket
- 8 Elastic washer
- 9 Lock nut
- 10 Plastic ring
- 11 End nut
- 12 1/4" permeated pipe



### 2.5.5 UV lamp, membrane and filter cartridge installation



To avoid potential damages during transport, the UV lamp is usually packaged separately; insert the supplied lamp in the unit.

To install the lamp, see section 3.1: "UV lamp replacement".

To install the membrane, see paragraph 3.2: "Membrane replacement".

To install the filter cartridge, see paragraph 3.3: "Filter cartridge replacement".

**WARNING: using cartridges other than original ones voids the warranty.**

## 2.6 Start up



The OASIS DP osmotic membrane is supplied dampened with a maintenance solution. Before using water, run for at least 10-15 minutes, flowing from the dedicated tap.

Absolutely prevent the membrane from drying by incautiously opening the unit. Install the membrane right after opening the package.

For UV, PUMP and PUMP UV models, never disconnect the power mains, always keeping the unit on.

In the UV lamp version, the first water flow when the tap is opened may be warm. Run water for several seconds before use.



Never turn off the UV lamp; if turned off, wait at least 30 minutes before turning it back on.

## 3. ROUTINE MAINTENANCE



Before performing any routine maintenance, make sure the power cord is unplugged.

Routine maintenance only refers to consumable part replacement.

We recommend routine maintenance be performed at least once every 3 months.

ELEMENT TO BE CHECKED	CHECK	FREQUENCY
Unit	Visually check integrity and conditions General cleaning Functional check	3-6 months (*)
Filter cartridges	Replacement	3-6 months (*)
AIC and AIM post-filters	Replacement	3 months (*)
UV lamp	Replacement	8000 hours (*)
RO Membrane	Replacement	3 years (*)

(\*) Special water conditions may require more frequent maintenance.



The PUMP, UV and PUMP-UV model electrical devices are powered with 220V - 50/60 Hz electrical current. Before performing any maintenance, make sure the power cord is unplugged.



To clean the device, do not use corrosive or acidic products or steel wool or steel brushes. Do not clean the device with direct jets of water or at high pressure.

### 3.1 UV lamp replacement

The machine is equipped with a UV germicide lamp whose working life is estimated at 8000 hours.



Ultraviolet ray lamps are hazardous to the eyes, avoid direct exposure.



Remove the rubber cap.

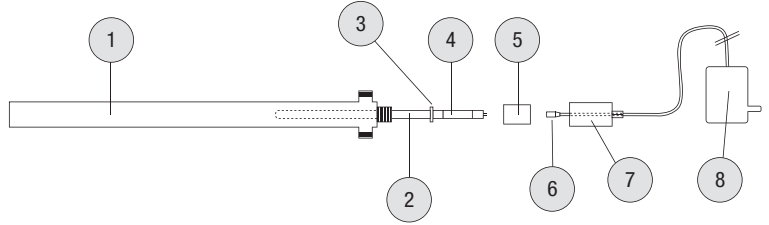
Gently remove the used UV lamp from the quartz tube.

Disconnect the lamp upper connector and end cable.

Replace the lamp and reassemble in its housing.

Connect the power cord.

- 1 UV lamp housing
- 2 Quartz tube
- 3 Gaskets
- 4 UV lamp
- 5 Gasket lock
- 6 End cable
- 7 Contact cap
- 8 Ballast



### 3.2 Osmotic membrane replacement



Run water from the tap over the sink to reduce circuit pressure.

Disconnect the connection pipe on the RO VESSEL top.

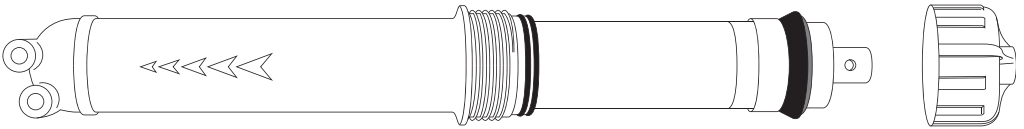
Unscrew the RO VESSEL top.

With a clamp, remove the membrane.

Insert a new membrane.

Screw in the RO VESSEL top.

Insert the connection pipes.



### 3.3 Filter cartridge replacement

Original cartridges are available in two practical and convenient KITS.

For OASIS DP models - **OASIS DP cartridge KIT** -

1. SEDIMENT - PP melt blown filter 5 micron
2. CTO Chlorine-Taste-Odor carbon G.A.C.
3. VOC Volatile-Organic-Compound carbon block filter 5 micron

For OASIS DP SANIC models - **OASIS DP SANIC cartridge KIT** -

1. SEDIMENT - String wound SANIC filter 5 micron
2. SEDIMENT - PP melt blown SANIC filter 5 micron.
3. VOC Volatile-Organic-Compound carbon block filter 5 micron

The average filter cartridge working life varies according to use, environmental conditions, pressure, etc. In general, changes in water taste, odour and colour indicate that the cartridge requires replacement.

- A. Before opening the container, turn off water supply tap and place a container under the system to collect any water that may spill when the cartridges are removed.
- B. Release product pressure by opening a downstream tap.
- C. Open the filter housing by unscrewing the bowl from the top.
- D. Remove the used cartridge.
- E. Gently clean the bowl with cold water and a soft sponge.
- F. Remove the protective film from the new cartridge.
- G. Insert the new cartridge in the bowl.
- H. Lubricate the bowl o-ring with the lubricant included in the package (Lubrikit). If the o-ring appears damaged, replace it with a new o-ring (o-ring included in the package) and lubricate with Lubrikit.
- I. Screw the bowl onto the head and tighten with a wrench, do not over tighten. If the wrench is not included in the package, purchase it separately.
- J. Slowly open the main water tap.
- K. Let water flow for about 5 minutes from a tap downstream from the product before use. This also allows air purge of the product.



Using cartridges other than original ones voids the warranty.

---

### 3.4 AIC activated carbon post-filter replacement



Remove the blue safety rings from the post-filter quick-fits (input and output).

Press the quick-fits coupling release ring to remove the input and output pipes.

---

Extract the used post-filter from the bracket and replace it with a new AIC post-filter (only use original spare parts or the warranty is voided).

---

Fit the pipes in the input and output, making sure the pipes are securely locked in the quick-fit.

---

Re-insert the safety rings in the quick-fits.

---

### 3.5 AIM re-mineralising post-filter replacement

Perform the replacement steps as in the procedure described in point 3.4.

## 4. NON-ROUTINE MAINTENANCE



Non-routine maintenance (repairs and/or replacement of non consumable parts) must be performed by personnel qualified by the manufacturer and accredited distributors, or the warranty is void.

---

**DATE**

**WORK TYPE**

---

---

---

---

---

---

---

---

---

---

## TROUBLESHOOTING

OASIS DP devices are constructed following strict quality controls and are subject to stringent efficiency and resistance tests. Following are a series of problems that may occur due to incorrect installation or maintenance or improper use, possible negligence or due to filter or part wear.

### Problem: The unit does not deliver water.

Cause	Solution
Inlet tap turned-off.	Turn-on the inlet tap.
Insufficient input pressure.	Make sure supply water mains pressure is not under 3 bar (43.5 psi) in models without pump and 0.5 bar (7.2 psi) in models with pump.
Filters clogged.	Check filter cartridge conditions; replace if clogged.
Shut-off valve broken.	Replace the shut-off valve (see section 4 non-routine maintenance).
Membrane clogged.	Replace the membrane.
Booster pump broken.	Replace the pump (see section 4 non-routine maintenance).

### Problem: The device continuously discharges water.

Cause	Solution
Hydraulic circuit leak.	Check pipes and quick-fits and look for leaks.
Shut-off valve broken.	Replace the shut-off valve (see section 4 non-routine maintenance).

### Problem: Delivered water has an unpleasant taste.

Cause	Solution
AIC active carbon post-filter depleted.	Replace the AIC post-filter.
Storage tank bacterially polluted.	Replace the storage tank (see section 4 non-routine maintenance).
RO membrane fault.	Replace the RO membrane.
UV lamp fault.	Replace the UV lamp.

### Problem: The booster pump does not start when dedicated (processed water) tap is turned-on.

Cause	Solution
No power supply.	Make sure the power cord is plugged in and there is power.
Pump broken.	Replace the pump (see section 4 non-routine maintenance).
Incorrect wiring.	Check pump and pressure gauge wiring in diagram 2.3. (see section 4 non-routine maintenance).
Pump AC/DC adaptor broken.	Replace the pump AC/DC adaptor (see section 4 non-routine maintenance).

### Problem: With dedeicated (processed water) tap turned-off, the booster pump restarts for several seconds.

Cause	Solution
Hydraulic circuit leak.	Check the hydraulic circuit to the drain tap and look for leaks.

## LIMITED WARRANTY

This Warranty is offered by Atlas Filtri S.r.l. - Via del Santo, 227 - 35010 Limena (ITALIA), as the finished product supplier.

A) Limited Warranty: Atlas Filtri S.r.l. guarantees that each product is free of factory defects in normal use and maintenance conditions for a period of 12 months from the date of purchase with reference to the following exclusions and limitations:

B) Exclusions - The warranty offered by Atlas Filtri S.r.l. is not applicable in the following cases:

(i) wear and tear of cartridges and any component part of normal operations, including gaskets without limitations.

(ii) Installation, tampering, modifications, negligent or incorrect maintenance, maintenance in conflict with the product instruction manual or performed by unskilled personnel.

(iii) Installation and/or use of non original parts and other components.

(iv) Product installation in unsuitable environments and/or in conditions not considered by the instruction manual.

C) Limitations - Atlas Filtri S.r.l. liability for this limited warranty is exclusively limited to the replacement of a product recognised as defective by the authorised dealer on business premises and during normal business hours, excluding shipping, installation and other repair costs. Defects and/or labour delays do not give rise to compensation or warranty extensions. TO THE MAXIMUM PERMITTED BY APPLICABLE LAW, ATLAS FILTRI S.r.l. CANNOT BE HELD LIABLE FOR ANY OTHER COST, LOSS OR DAMAGE, WHETHER DIRECT, ACCIDENTAL, PUNITIVE, CONSEQUENTIAL OR EXEMPLARY, THAT MAY ARISE IN ASSOCIATION WITH THE SALE OR USE OR IMPOSSIBILITY TO USE THE PRODUCT FOR ANY PURPOSE AND USE. This limited warranty is the sole solution and sole liability of Atlas Filtri S.r.l., for the warranty, contract or negligence reasons, for actual or alleged defects in Atlas Filtri S.r.l. product working conditions. EXCEPT FOR THAT SPECIFICALLY STATED HERETO, ANY WARRANTY IMPLIED BY LAW, INCLUDING ANY WARRANTY OR MARKETABILITY OR SUITABILITY FOR SPECIAL PURPOSES, IS EXPRESSLY EXCLUDED. THESE WARRANTY STATEMENTS ARE EXCLUSIVE AND REPLACE ANY OTHER POSSIBLE SOLUTION.

# OASIS DP - Appareils à Osmose Inverse

## NOTICE DE MONTAGE, D'UTILISATION ET D'ENTRETIEN

F

Cher client, merci d'avoir choisi ce produit Atlas Filtri.

### 1. INFORMATIONS GÉNÉRALES

Les indications de cette notice concernent les modèles:

OASIS DP STD  
OASIS DP PUMP  
OASIS DP UV  
OASIS DP PUMP-UV  
OASIS DP-F PUMP  
OASIS DP-F PUMP-UV



OASIS DP SANIC STD  
OASIS DP SANIC PUMP  
OASIS DP SANIC UV  
OASIS DP SANIC PUMP-UV  
OASIS DP-F SANIC PUMP  
OASIS DP-F SANIC PUMP-UV

OASIS DP est un appareil destiné au traitement de l'eau potable en mesure de modifier ses caractéristiques organoleptiques et chimiques et de réduire sa teneur en sel tout en garantissant sa sécurité microbiologique.

Une utilisation et un entretien corrects permettent de réduire les principaux polluants, tels que les insecticides, pesticides, engrais, substances organiques dangereuses, métaux lourds, micro-organismes pathogènes.

#### 1.1 SYMBOLES UTILISÉS

##### INDICATIONS DE CARACTÈRE GÉNÉRAL



Il indique un avertissement ou une remarque concernant des fonctions fondamentales ou des informations utiles. Faites très attention aux blocs de texte indiqués par ce symbole.



Il indique une intervention manuelle de réglage qui peut également comporter l'utilisation d'équipements portables ou d'outils.



Il faut relever une mesure, contrôler une signalisation, effectuer un contrôle visuel.

##### INDICATIONS DE DANGER



Danger général, avec risque pour l'utilisateur.



Danger de nature électrique.

##### INDICATIONS D'INTERDICTION



Interdiction.

#### 1.2 CONDITIONS D'UTILISATION



OASIS DP n'est pas un potabilisateur. Ne pas utiliser pour les usages destinés à l'eau potable en cas d'eau initialement non potable ou d'une qualité inconnue.



Effectuez régulièrement les opérations d'entretien périodique afin de garantir les exigences de potabilité de l'eau potable traitée et le maintien des performances déclarées.

N'utilisez que de l'eau ayant un pH compris entre 6.5 et 9.5.

Respectez les limites d'emploi indiquées sur les étiquettes.

Conservez à l'abri du gel et de la chaleur excessive : min. 4 °C (39.2 °F) - max. 45 °C (113 °F).

Si l'appareil n'est pas utilisé pendant une période prolongée, retirez les cartouches et les membranes et, à la prochaine utilisation, installez-en des nouvelles. Après les opérations d'entretien, faites circuler l'eau pendant au moins 5 minutes avant de l'utiliser.

➔ À la fin de la vie utile de l'appareil OASIS, de ses cartouches, des membranes et des lampes UV, procédez à leur élimination conformément aux lois locales en vigueur.

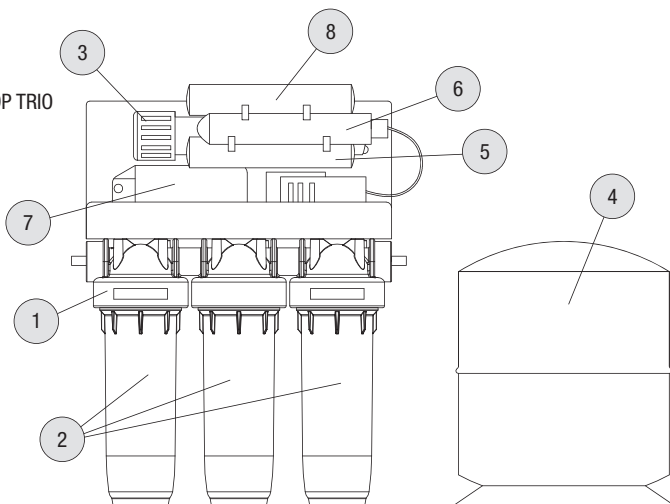
## 2. INSTALLATION

### 2.1 Avant-propos

➔ Les opérations de montage et d'installation doivent être exécutées par des personnes qualifiées conformément en réglementations locales en vigueur. Avant toute opération, il est nécessaire de lire attentivement les instructions figurant dans cette notice. Conservez la notice et protégez-la contre tout ce qui pourrait compromettre sa lisibilité.

### 2.2 Principaux composants

- 1 Extrémité supérieure conteneur DP TRIO pour cartouches filtrantes
- 2 Verres conteneur DP TRIO pour cartouches filtrantes
- 3 Conteneur RO VESSEL pour membrane osmotique
- 4 Vase d'accumulation
- 5 Post-filtre AIC - charbon actif
- 6 Lampe UV (modèles UV)
- 7 Pompe booster (modèles PUMP)
- 8 Post-filtre AIM - cartouche de reminéralisation



### 2.3 Schéma des raccordements (fig. 1 et fig. 2)

➔ Le pourcentage de sels dissouts et d'autres éléments réjctés dépend de la qualité de l'eau, de la température, de la pression et du total de sels dissouts et varie en fonction des types de sels ou d'éléments.

Le traitement des eaux particulièrement troubles ou contenant de nombreuses impuretés peut provoquer l'encrassement des préfiltres et/ou des membranes et réduire ainsi le débit d'eau.



Il n'est pas possible de traiter les eaux usées, les eaux de mer ou dans tous les cas les eaux dont les conditions chimiques, physiques et bactériologiques font en sorte qu'elles ne rentrent pas dans les possibilités pratiques de traitement par osmose inverse (eaux industrielles ou d'usines chimiques).



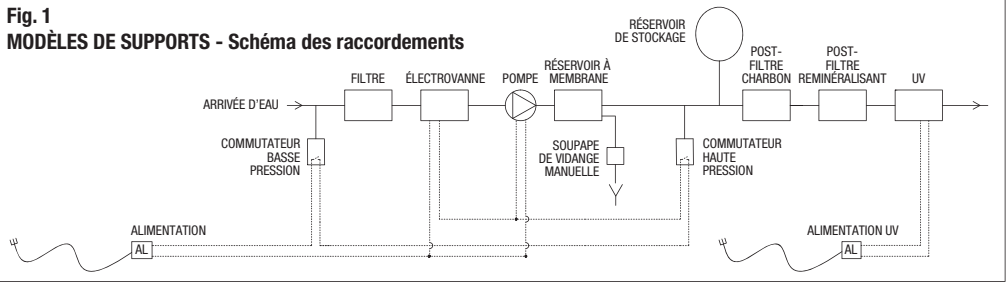
Les lampes à rayons ultraviolets sont dangereuses pour les yeux, éviter l'exposition directe.

### 2.4 Spécifications techniques (tab. A)

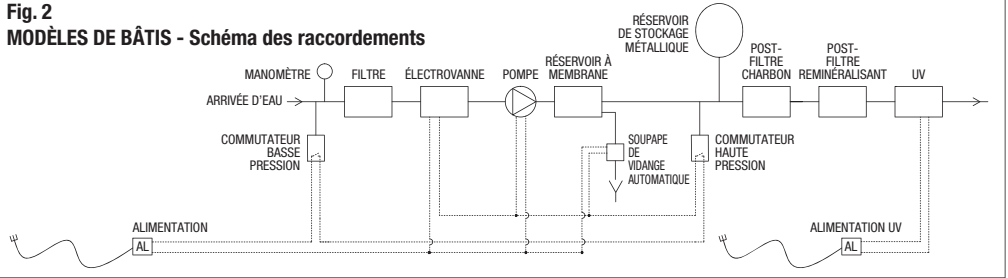
➔ L'utilisation du produit dans des conditions de fonctionnement différentes des SPÉCIFICATIONS TECHNIQUES est considérée comme une UTILISATION IMPROPRE. Le fabricant décline toute responsabilité quant aux dommages éventuellement causés par une utilisation impropre de l'équipement, par le non-respect des indications figurant dans cette notice, par des interventions de réparation n'ayant pas été exécutées par du personnel professionnellement qualifié ou dérivant de modifications ou altérant le fonctionnement initial de l'appareil.



**Fig. 1**  
**MODÈLES DE SUPPORTS - Schéma des raccords**



**Fig. 2**  
**MODÈLES DE BÂTIS - Schéma des raccords**



**Tab. A**

		Modèle			
Caractéristique technique	Unité de mesure	Standard	UV	PUMP	PUMP UV
Dimensions max. modèles de supports	mm	580x370x150	580x370x150	580x370x150	580x370x150
Dimensions max. modèles de bâtis (hauteur x largeur x profondeur)	mm			510x380x200	510x380x200
Dimensions du réservoir en métal	mm	280x345	280x345	280x345	280x345
Dimensions du réservoir en plastique (diamètre x hauteur)	mm	284x400	284x400	284x400	284x400
Poids	kg	5	5,5	7	7,5
Production max. journalière 50 GPD	l	190	190	190	190
Production max. journalière 100 GPD	l	380	380	380	380
Pourcentage de récupération	%	20	20	20	20
Réjection saline	%	90	90	95	95
Réjection bactérienne	%	> 98	> 98	> 98	> 98
<b>Eau d'alimentation</b>					
TDS max. de l'eau d'alimentation	mg/l (ppm)	1000	1000	1000	1000
Température max. de l'eau d'alimentation	°C	30	30	30	30
Débit min. d'alimentation	l/h	100	100	100	100
Pression min. d'alimentation	bar	3	3	1	1
Pression max. d'alimentation	bar	8	8	3	3
<b>UV</b>					
Alimentation électrique			Monophasé + Terre		Monophasé + Terre
Tension nominale	V		220/230		220/230
Fréquence	Hz		50/60		50/60
Courant absorbé	A		0,1 - 0,12A		0,1 - 0,12A
Puissance	W		6W		6W
<b>Pompe</b>					
Type d'alimentation				Courant continu	Courant continu
Tension nominale	V			24	24
Hauteur d'élévation	psi			116	116

## 2.5 Installation du produit



Avant de procéder à l'installation, vérifiez si l'installation hydraulique est réalisée suivant les règles de l'art.

Installez une dérivation permettant d'exclure l'appareil.

Installez un clapet anti-retour entre l'appareil et le réseau d'eau.

Si la pression du réseau d'eau dépasse 8 bars (116 psi), il faut installer un réducteur de pression en amont du produit. Protégez le produit contre d'éventuels « coups de bélier » en installant un système prévu à cet effet (vases d'expansion, amortisseurs).

Si la pression du réseau est inférieure à 3 bars, installez des modèles avec pompe (PUMP, PUMP-UV).



Circuit de mise à la terre de la ligne d'alimentation présent et efficace.

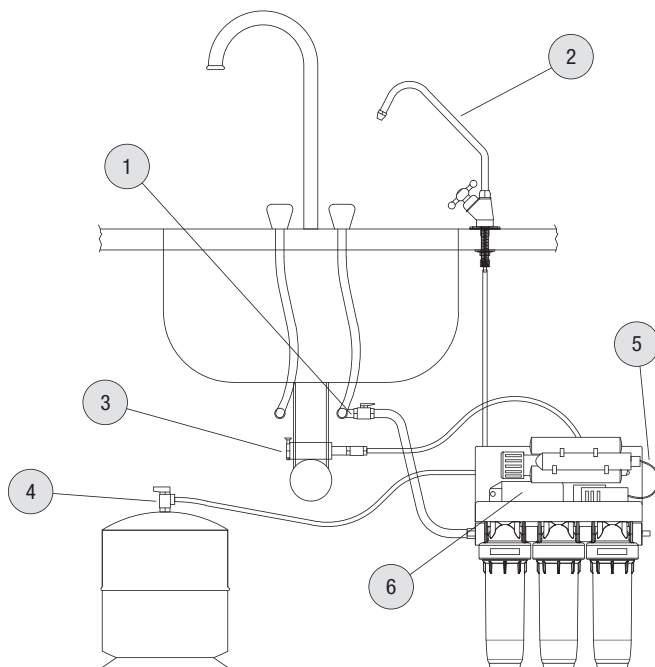
Compatibilité de la ligne d'alimentation avec les spécifications électriques du transformateur de la pompe booster (pour les modèles PUMP) et de la lampe UV (pour les modèles UV).

Câbles électriques du circuit d'alimentation ayant un diamètre supérieur à 1 mm.

Stabilité de la tension de réseau (écarts de tension inférieurs à 10%).

### SCHÉMA DE MONTAGE

- 1 Prise d'eau
- 2 Robinet de l'eau traitée
- 3 Collier d'évacuation
- 4 Robinet du réservoir
- 5 Alimentation lampe UV (en option)
- 6 Pompe booster (en option)



### 2.5.1 Installation type avec prise d'eau 1/2" MF

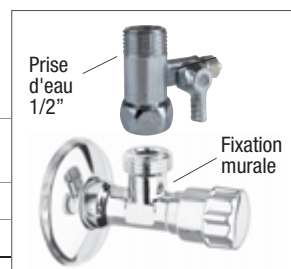


Dévissez la bague du flexible de l'eau froide de la fixation murale.

En utilisant du ruban d'étanchéité (PTFE), installez la prise d'eau de 1/2" MF avec un robinet 1/4".

Remontez le filet précédemment retiré sur le côté mâle de la prise d'eau.

Reliez le tuyau de 1/4" de l'OASIS à la prise d'eau.



## 2.5.2 Installation du collier d'évacuation



Installez le collier d'évacuation sur le siphon d'évacuation de l'évier.

Contrôlez que le joint appuie correctement sur le tuyau et que les boulons sont serrés.

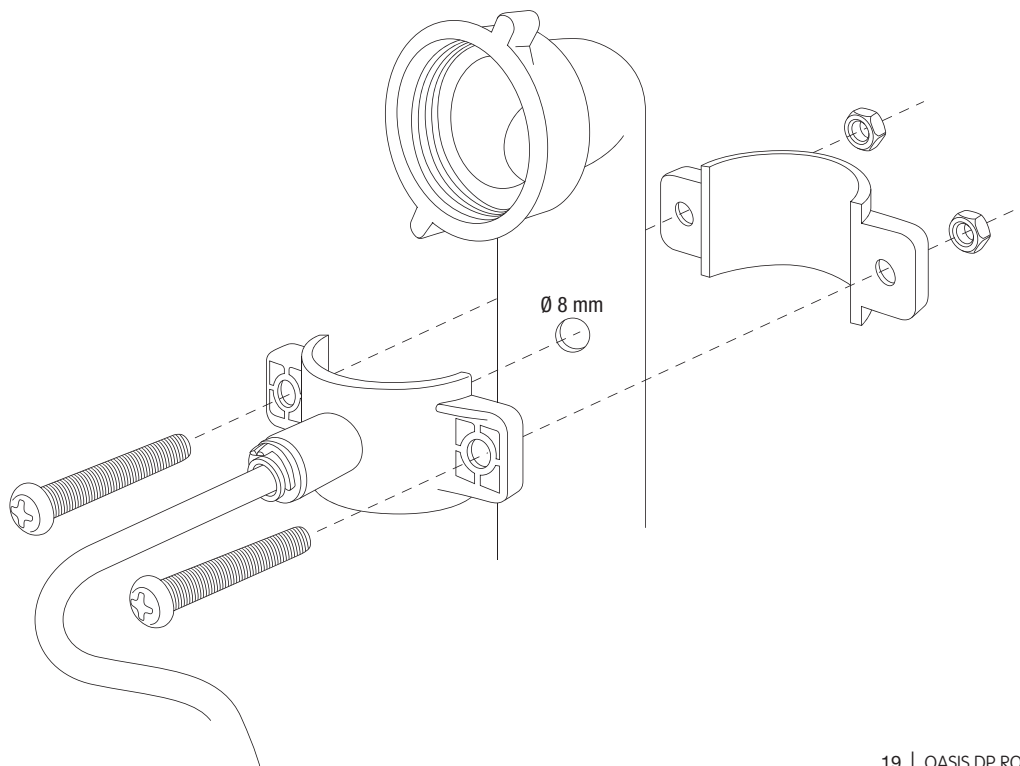
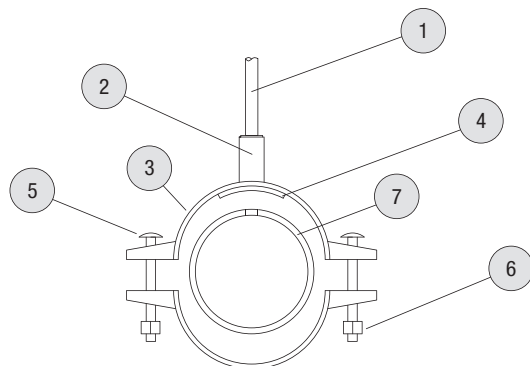
Démontez l'écrou de fixation du tuyau d'évacuation.

En utilisant une perceuse munie d'une pointe de 6 mm, percez un orifice sur le tuyau du siphon d'évacuation, au niveau de l'écrou que vous venez de démonter.

Introduisez le tuyau d'évacuation dans l'écrou sur environ 2 cm, puis vissez l'écrou de fixation sur le collier.

Serrez l'écrou de fixation et installez le clapet anti-retour avec la flèche orientée vers le collier, le plus près possible de l'écoulement.

- 1 Tuyau d'évacuation
- 2 Fixation rapide
- 3 Collier d'évacuation
- 4 Joint
- 5 Boulon
- 6 Écrou de fixation du boulon
- 7 Tuyau du siphon d'évacuation de l'évier



### 2.5.3 Installation du réservoir d'accumulation



Placez le réservoir à proximité de la machine.

Desserrez l'écrou de fixation situé sur le clapet à bille du réservoir.

Introduisez le tuyau 1/4" de raccordement du réservoir et serrez l'écrou de fixation.

Reliez le tuyau 1/4" à la machine.

### 2.5.4 Installation du robinet dédié



À l'aide d'une perceuse, percez un orifice de 12 mm de diamètre sur la base de l'évier (n° 6) et éliminez les éventuelles bavures en utilisant une lame ronde.

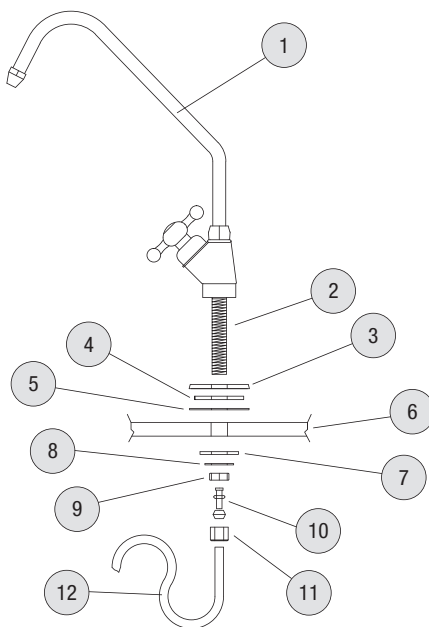
Montez le joint (n° 5), l'épaisseur (n° 4) et la base chromée (n° 3) sur l'orifice, puis introduisez la tige filetée du robinet (n° 2).

Du côté inférieur, introduisez dans l'ordre suivant le joint (n° 7), la rondelle élastique (n° 8) et vissez l'écrou de fixation (n° 9).

Introduisez le tuyau (n° 12) dans l'écrou final (n° 11) et dans l'ogive en plastique (n° 10).

Serrez l'écrou final (n° 11) sur la tige filetée du robinet (n° 2).

- 1 Robinet
- 2 Tige filetée du robinet
- 3 Base chromée
- 4 Épaisseur
- 5 Joint
- 6 Base de l'évier
- 7 Joint
- 8 Rondelle élastique
- 9 Écrou de fixation
- 10 Ogive en plastique
- 11 Écrou final
- 12 Tuyau 1/4" perméat



### 2.5.5 Installation de la lampe UV, de la membrane et des cartouches filtrantes



Pour éviter de possibles dommages lors du transport, la lampe UV est généralement emballée séparément ; installez la lampe fournie dans l'emballage.

Au sujet de l'installation de la lampe, consultez la section 3.1 : « Remplacement de la lampe UV ».

Au sujet de l'installation de la membrane, consultez le paragraphe 3.2 : « Remplacement de la membrane ».

Au sujet de l'installation des cartouches filtrantes, consultez le paragraphe 3.3 : « Remplacement des cartouches filtrantes ».

**ATTENTION : l'utilisation de cartouches différentes des cartouches d'origine entraîne la perte de validité de la garantie.**

## 2.6 Mise en marche



La membrane osmotique d'OASIS DP est fournie imbibée d'une solution de conservation. Avant d'utiliser l'eau, il faut la laisser s'écouler pendant 10-15 minutes au moins, en laissant le robinet dédié ouvert.

Évitez absolument de provoquer la déshydratation de la membrane, en ouvrant l'emballage sans faire attention. Installez la membrane immédiatement après avoir ouvert l'emballage.

Pour les modèles UV, PUMP et PUMP UV, il est nécessaire de ne jamais débrancher le raccordement électrique, en laissant toujours l'unité allumée.

Dans la version équipée de lampe UV, il est possible qu'au début, l'eau sortant du robinet soit chaude. Laisser s'écouler l'eau pendant quelques secondes avant son utilisation.



N'éteignez jamais le débactérisateur UV ; en cas d'extinction, attendez au moins 30 minutes avant de le rallumer.

## 3. ENTRETIEN ORDINAIRE



Avant d'effectuer toute opération d'entretien ordinaire, assurez-vous d'avoir débranché la fiche de courant.

L'entretien ordinaire ne concerne que le remplacement des composants sujets à usure.

Nous conseillons d'effectuer un entretien ordinaire au moins une fois tous les 3 mois.

ÉLÉMENT À CONTRÔLER	CONTRÔLE	FRÉQUENCE
Appareil	Contrôle visuel du bon état et de l'état de conservation Nettoyage général Contrôle du fonctionnement	3-6 MOIS (*)
Cartouches filtrantes	Remplacement	3-6 MOIS (*)
Post-filtres AIC et AIM	Remplacement	3 mois (*)
Lampe UV	Remplacement	8.000 heures (*)
Membrane d'osmose inverse	Remplacement	3 ans (*)

(\*) Des conditions particulières de l'eau peuvent exiger un entretien plus fréquent.



L'appareil électrique des modèles PUMP, UV et PUMP-UV est alimenté avec du courant électrique 220V - 50/60 Hz.

Avant d'effectuer l'entretien, assurez-vous d'avoir débranché la fiche de courant.



Pour nettoyer l'appareil, ne pas utiliser de produits corrosifs, d'acides, de pailles de fer ou de brosses en acier.

Ne pas laver l'appareil avec des jets d'eau directs ou sous haute pression.

### 3.1 Remplacement de la lampe UV

La machine est équipée d'une lampe germicide UV, dont la durée de vie utile est estimée à 8.000 heures.



Les lampes à rayons ultraviolets sont dangereuses pour les yeux, éviter l'exposition directe.



Ôtez la calotte en caoutchouc.

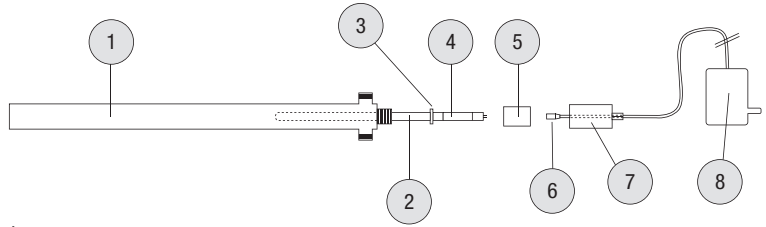
Extrayez délicatement la lampe UV usée du tube au quartz.

Détachez le connecteur supérieur et le câble final de la lampe.

Remplacez la lampe et remontez-la.

Branchez la fiche d'alimentation.

- 1 Corps débactérisateur
- 2 Tube au quartz
- 3 Joints
- 4 Lampe UV
- 5 Blocage de la gaine
- 6 Câble final
- 7 Bouchon couvre-contact
- 8 Transformateur



### 3.2 Remplacement de la membrane osmotique



Prélevez de l'eau du robinet au-dessus de l'évier pour réduire la pression du circuit.

Détachez le tuyau de raccordement sur l'extrémité du VESSEL.

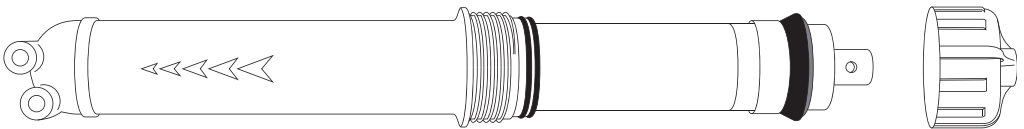
Dévissez l'extrémité du VESSEL.

À l'aide d'une pince, ôtez la membrane.

Introduisez la nouvelle membrane.

Revissez l'extrémité du VESSEL.

Introduisez les tuyaux de raccordement.



### 3.3 Remplacement des cartouches filtrantes

Les cartouches d'origine sont disponibles en deux KITS, pratiques et avantageux.

Pour les modèles OASIS DP - **KIT Cartouches OASIS DP -**

1. SÉDIMENT - Filtre en polypropylène fondu-soufflé de 5 microns
2. CTO Filtre charbon actif granulé contre chlore-goût-odeur
3. VOC - Bloc de charbon de 5 microns pour la réduction de composés organiques volatiles

Pour les modèles OASIS DP SANIC - **KIT Cartouches OASIS DP SANIC -**

1. SÉDIMENT - Filtre bobiné SANIC de 5 microns
2. SÉDIMENT - Filtre en polypropylène fondu-soufflé de 5 microns
3. VOC - Bloc de charbon de 5 microns pour la réduction de composés organiques volatiles

La durée de vie moyenne d'une cartouche filtrante varie en fonction de son utilisation, des conditions ambiantes, de la pression, etc. En général, les changements de goût, d'odeur ou de couleur de l'eau indiquent qu'il faudrait remplacer la cartouche.

- A. Avant d'ouvrir le conteneur, fermez le robinet principal d'eau et placez un bassin en dessous du système pour recueillir l'eau susceptible de s'écouler pendant le retrait des cartouches.
- B. Éliminez la pression du produit en ouvrant un robinet situé en aval.
- C. Ouvrez le conteneur en dévissant le verre de l'extrémité.
- D. Retirez la cartouche usée.
- E. Nettoyez délicatement le verre avec de l'eau froide et une éponge souple.
- F. Retirez le film de protection de la cartouche neuve.
- G. Introduisez la cartouche neuve dans le verre.
- H. Lubrifiez le joint torique du verre en utilisant le lubrifiant compris dans l'emballage (Lubrikit). En cas de détérioration du joint torique, remplacez-le par un joint torique neuf (joints toriques compris dans l'emballage) et lubrifiez ensuite avec Lubrikit.
- I. Vissez le verre sur l'extrémité et serrez, sans exagérer, en utilisant la clé. Si la clé n'est pas comprise dans l'emballage, il faut l'acheter séparément.
- J. Ouvrez lentement le robinet principal d'eau.
- K. Laissez l'eau s'écouler pendant 5 minutes d'un robinet situé en aval du produit avant de l'utiliser. Cette opération permet aussi d'évacuer l'air du produit.



L'utilisation de cartouches différentes des cartouches d'origine entraîne la perte de validité de la garantie.

---

### 3.4 Remplacement du post-filtre AIC - charbon actif



Ôtez les anneaux bleus de sécurité des raccords rapides du post-filtre (entrée et sortie).

Appuyez sur la bague de décrochage des raccords rapides pour retirer les tuyaux d'entrée et de sortie.

Extrayez le post-filtre usé du collier et remplacez-le par un nouveau post-filtre AIC (n'utilisez que des pièces de rechange d'origine, sous peine de perte de validité de la garantie).

Fixez les tuyaux aux raccords d'entrée et de sortie, en contrôlant que les tuyaux sont bien bloqués dans le raccord rapide.

Introduisez à nouveau les anneaux de sécurité dans les raccords rapides.

---

### 3.5 Remplacement du post-filtre AIM - cartouche de reminéralisation

Effectuer les opérations de remplacement selon les procédures indiquées au point 3.4.

## 4. ENTRETIEN EXTRAORDINAIRE



L'entretien extraordinaire (interventions de réparation et/ou remplacement de composants non sujets à usure) doit être effectué par du personnel qualifié par le fournisseur et par les distributeurs agréés, sous peine de perte de validité de la garantie.

---

**DATE**

**TYPE D'INTERVENTION**

---

---

---

---

---

---

---

---

## SOLUTION DES ANOMALIES

Les appareils OASIS DP sont fabriqués en suivant les contrôles de qualité les plus rigides et ils sont soumis à des tests sévères d'efficacité et de résistance. Nous reportons ci-dessous une série d'inconvénients pouvant se présenter à cause de défauts au niveau du montage ou de l'entretien, d'un usage autre que celui indiqué, d'une négligence durant l'utilisation ou de l'usure du filtre et de ses pièces.

### Anomalie : L'appareil ne fournit pas d'eau.

Cause	Solution
Robinet d'entrée fermé.	Ouvrir le robinet d'entrée.
Pression insuffisante en entrée.	Vérifier que la pression du réseau d'alimentation en eau n'est pas inférieure à 3 bars (43.5 psi) dans les modèles sans pompe et à 0,5 bar (7.2 psi) dans les modèles avec pompe.
Filtres encrassés.	Contrôler l'état des cartouches filtrantes ; si elles sont encrassées, les remplacer.
Vanne d'arrêt en panne.	Remplacer la vanne d'arrêt (voir section 4 entretien extraordinaire).
Membrane encrassée.	Remplacer la membrane.
Pompe booster en panne.	Remplacer la pompe (voir section 4 entretien extraordinaire).

### Anomalie : L'appareil évacue constamment de l'eau.

Cause	Solution
Perte au niveau du circuit hydraulique.	Contrôler les tuyaux et les raccords à la recherche de pertes.
Vanne d'arrêt en panne.	Remplacer la vanne d'arrêt (voir section 4 entretien extraordinaire).

### Anomalie : L'eau fournie a un goût désagréable.

Cause	Solution
Post-filtre AIC à charbon actif usé.	Remplacer le post-filtre AIC.
Vase d'accumulation pollué bactériologiquement.	Remplacer le vase d'accumulation (voir section 4 entretien extraordinaire).
Membrane RO détériorée.	Remplacer la membrane.
Lampe UV détériorée.	Remplacer la lampe UV.

### Anomalie : À l'ouverture du robinet, la pompe booster ne démarre pas

Cause	Solution
Absence d'alimentation électrique.	S'assurer que la fiche est branchée et qu'il y a du courant.
Pompe brûlée.	Remplacer la pompe (voir section 4 entretien extraordinaire).
Câblage erroné.	Vérifier le câblage de la pompe et du pressostat de pression maximale schéma 2.3. (voir section 4 entretien extraordinaire).
Boîtier d'alimentation de la pompe brûlé.	Remplacer le boîtier d'alimentation de la pompe (voir section 4 entretien extraordinaire).

### Anomalie : Lorsque le robinet est fermé, la pompe booster se remet en marche pendant quelques secondes.

Cause	Solution
Perte au niveau du circuit hydraulique.	Contrôler le circuit hydraulique jusqu'au robinet de prélèvement à la recherche de pertes.



## GARANTIE LIMITÉE

Cette garantie est offerte par Atlas Filtri S.r.l. - Via del Santo, 227 - 35010 Limena (ITALIA), en tant que fournisseur du produit fini.

A) Garantie limitée : Atlas Filtri S.r.l. garantit pendant une période de 12 mois à partir de la date d'achat du produit que chaque produit est exempt, en conditions normales d'utilisation et d'entretien, de défauts de matériau et d'usinage, en tenant compte des exclusions et des limitations suivantes:

B) Exclusions - La garantie offerte par Atlas Filtri S.r.l. n'est pas applicable dans les cas suivants :

(i) usure des cartouches et de tout autre composant comme conséquence du fonctionnement normal, y compris sans limitations également les joints.

(ii) Installation, manipulation, modifications, absence ou erreur d'entretien, entretien effectué sans respecter les indications figurant dans la notice d'instructions du produit ou effectué par du personnel non qualifié.

(iii) Installation et/ou utilisation d'éléments et autres composants non d'origine.

(iv) Installation du produit dans des milieux non adéquats et/ou dans des conditions non envisagées dans la notice d'instructions.

C) Limitations - La responsabilité de Atlas Filtri S.r.l. dans le cadre de cette garantie limitée est exclusivement limitée au remplacement du produit reconnu défectueux par un distributeur agréé sur son lieu normal d'activité pendant les heures normales de travail, à l'exclusion des coûts d'expédition, d'installation et autres coûts de réparation. Tout défaut et/ou retard d'exécution ne donne pas droit à des compensations ou des extensions de la garantie. JUSQU'AU PLAFOND AUTORISÉ PAR LA LOI APPLICABLE, ATLAS FILTRI S.r.l. NE SERA RESPONSABLE POUR AUCUNE AUTRE DÉPENSE, PERTE OU DOMMAGE, DIRECT, ACCIDENTEL, PUNITIF, CONSÉQUENT OU EXEMPLAIRE, SUSCEPTIBLES DE SE PRODUIRE EN RAPPORT AVEC LA VENTE OU AVEC L'UTILISATION OU AVEC L'IMPOSSIBILITÉ D'UTILISER LE PRODUIT POUR N'IMPORTE QUEL BUT ET UTILISATION. Cette garantie limitée constitue la seule mesure corrective offerte et la seule responsabilité de Atlas Filtri S.r.l., tant pour garantie, contrat ou causes de négligence, en ce qui concerne des défauts effectifs ou soupçonnés dans les conditions de fonctionnement des produits de Atlas Filtri S.r.l. À L'EXCEPTION DE CE QUI EST EXPLICITEMENT SPÉCIFIÉ ICI, TOUTE GARANTIE IMPLIQUÉE PAR LES LOIS, Y COMPRIS TOUTE GARANTIE OU APTITUDE À LA VENTE OU CONFORMITÉ À DES OBJECTIFS PARTICULIERS, EST EXPRESSÉMENT EXCLUE. LESDITES DÉCLARATIONS DE GARANTIE SONT EXCLUSIVES ET REMPLACENT TOUTE AUTRE MESURE CORRECTIVE POSSIBLE.

# OASIS DP - Equipos para Ósmosis Inversa

## MANUAL DE INSTALACIÓN, USO Y MANTENIMIENTO

E

Estimado Cliente, gracias por elegir este producto Atlas Filtri.

### 1. INFORMACIONES GENERALES

Las instrucciones en este manual se aplican a los siguientes modelos:

OASIS DP STD  
OASIS DP PUMP  
OASIS DP UV  
OASIS DP PUMP-UV  
OASIS DP-F PUMP  
OASIS DP-F PUMP-UV



OASIS DP SANIC STD  
OASIS DP SANIC PUMP  
OASIS DP SANIC UV  
OASIS DP SANIC PUMP-UV  
OASIS DP-F SANIC PUMP  
OASIS DP-F SANIC PUMP-UV

OASIS DP es un dispositivo destinado para el tratamiento de agua potable capaz de alterar las características organolépticas y químicas de la misma, reducir su contenido de sal al tiempo que garantiza la seguridad microbiológica.

El uso y el mantenimiento correctos permiten la reducción de los principales contaminantes, tales como insecticidas, pesticidas, fertilizantes, sustancias orgánicas peligrosas, metales pesados, microorganismos patógenos.

#### 1.1 SÍMBOLOS UTILIZADOS

##### INDICACIONES GENERALES



Indica una advertencia o una nota en funciones claves o información útil. Preste mucha atención a los bloques de texto indicadas por este símbolo.



Indica un ajuste manual que también puede incluir el uso de equipo portátil o herramientas.



Se requiere para detectar un valor de medida, comprobar una indicación o hacer una comprobación visual.

##### INDICACIONES DE PELIGRO



Peligro genérico, con el riesgo para el usuario.



Riesgo eléctrico.

##### INDICACIONES DE PROHIBICIÓN



Prohibición.

#### 1.2 CONDICIONES DE USO



OASIS DP no es un potabilizador: No utilizar para los usos previstos para el agua potable en caso de agua no potable originalmente o de calidad desconocida.



Realizar mantenimiento periódico regular para garantizar los requisitos de potabilidad del agua potable tratada y el mantenimiento de las prestaciones declaradas.

Usar sólo para agua con pH entre 6.5 y 9.5.

Respetar los límites de uso indicados en las etiquetas.

Mantener protegido de heladas y calor excesivos: min 4°C (39.2°F) - max 45°C (113°F).

Si no se utiliza durante mucho tiempo, retire los cartuchos y membranas y, para restaurar, insertar otros nuevos. Después del mantenimiento, haga circular agua durante al menos 5 minutos antes de utilizarla.



Al final del período de uso del equipo OASIS, sus cartuchos, membranas, y lámparas UV, proceder a su eliminación de acuerdo con las normativas locales vigentes.

## 2. INSTALACIÓN

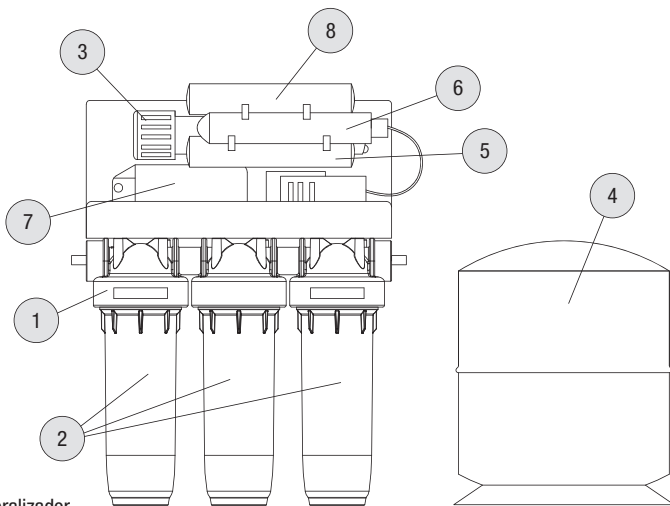
### 2.1 Introducción



El montaje y la instalación deben ser realizados por personas calificadas de acuerdo con las regulaciones locales. Antes de cualquier acción que sea necesaria es necesario leer cuidadosamente las instrucciones contenidas en este manual. Guardar el manual y protegerlo de lo que podría poner en peligro la legibilidad del mismo.

### 2.2 Principales componentes

- 1 Cabezal contenedor DP TRIO para cartuchos filtrantes
- 2 Vasos contenedor DP TRIO para cartuchos filtrantes
- 3 Contenedor RO VESSEL para membrana osmótica
- 4 Vaso de acumulación
- 5 Post-filtro AIC - carbón activo
- 6 Lámpara UV (modelos UV)
- 7 Bomba booster (modelos PUMP)
- 8 Post-filtro AIM - cartucho re-mineralizador



### 2.3 Esquema de conexión (Fig. 1 y Fig. 2)



El porcentaje de sales disueltas y otros elementos rechazados está influenciada por la calidad del agua, la temperatura, la presión, y las sales totales disueltas y es diferente dependiendo de los tipos de sales o elementos.

El tratamiento de agua particularmente turbia o con muchas impurezas pueden obstruir los prefiltros y/o las membranas, causando una pérdida de flujo de agua.



No se puede tratar aguas residuales, agua de mar u otras aguas en condiciones químicas, físicas y biológicas que no entran dentro de las posibilidades prácticas de tratamiento por Ósmosis Inversa (reflujo industrial o tratamiento químico).



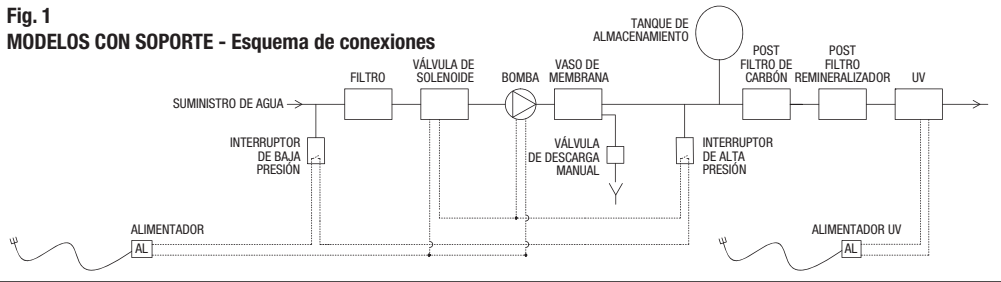
Los rayos ultravioletas son peligrosos para los ojos, evitar la exposición directa.

### 2.4 Especificaciones técnicas (tabla A)

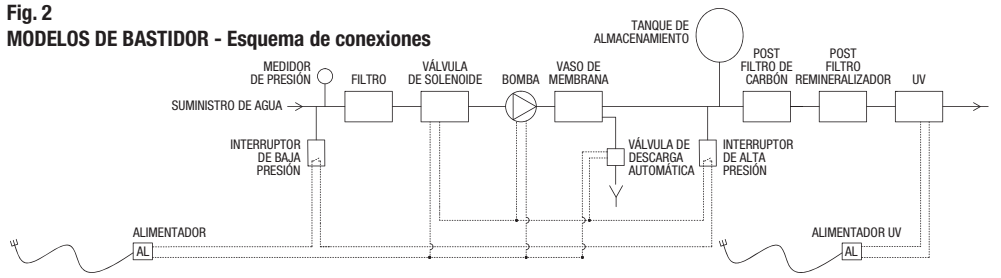


El uso del producto en condiciones de funcionamiento distintas de las ESPECIFICACIONES TÉCNICAS se considera INCORRECTO. El fabricante no se hace responsable de los daños causados por el uso indebido del equipo, el incumplimiento de las recomendaciones de este manual, de las reparaciones no realizadas por personal cualificado o derivados de modificaciones, o que alteren el funcionamiento original de la unidad.

**Fig. 1**  
**MODELOS CON SOPORTE - Esquema de conexiones**



**Fig. 2**  
**MODELOS DE BASTIDOR - Esquema de conexiones**



**Tab. A**

		Modelo			
Característica técnica	Unidad de medición	STD	UV	PUMP	PUMP UV
Dimensiones máx. modelos con soporte	mm	580x370x150	580x370x150	580x370x150	580x370x150
Dimensiones máx. modelos de bastidor (altura x anchura x profundidad)	mm			510x380x200	510x380x200
Dimensiones del tanque de metal	mm	280x345	280x345	280x345	280x345
Dimensiones del tanque de plástico (diámetro x altura)	mm	284x400	284x400	284x400	284x400
Peso	kg	5	5,5	7	7,5
Producción máxima diaria 50 GPD	l	190	190	190	190
Producción máxima diaria 100 GPD	l	380	380	380	380
Índice de recuperación	%	20	20	20	20
Rechazo de sales	%	90	90	95	95
Rechazo bacteriano	%	> 98	> 98	> 98	> 98
<b>Agua de alimentación</b>					
Máx. TDS agua de alimentación	mg/l (ppm)	1000	1000	1000	1000
Temp. máx. agua de alimentación	°C	30	30	30	30
Caudal mínimo de alimentación	l/h	100	100	100	100
Presión mínima de alimentación	bar	3	3	1	1
Presión máxima de alimentación	bar	8	8	3	3
<b>UV</b>					
Alimentación eléctrica			Monofásica + Tierra		Monofásica + Tierra
Tensión nominal	V		220/230		220/230
Frecuencia	Hz		50/60		50/60
Frecuencia (corriente absorbida)	A		0,1 - 0,12A		0,1 - 0,12A
Potencia	W		6W		6W
<b>Bomba</b>					
Tipo de alimentación				Corriente continua	Corriente continua
Tensión nominal	V			24	24
Altura de elevación	psi			116	116

## 2.5 Instalación del producto



Antes de la instalación, compruebe que la instalación hidráulica se haya realizado correctamente conforme a las reglas del arte.

Instalar un by-pass que permita la exclusión de la unidad.

Instalar una válvula de retención de la unidad a la red de suministro de agua.

En caso de una presión de alimentación superior a 8 bar (116 psi) se debe instalar un reductor de presión aguas arriba del producto. Proteger el producto contra el "martilleo de agua" mediante un sistema apropiado anti-martilleo (vasos de expansión, amortiguadores).

En caso de presión de la red inferior a 3 bar instalar modelos con bomba (PUMP, PUMP-UV).



Presencia y eficiencia de la puesta a tierra de la línea de alimentación.

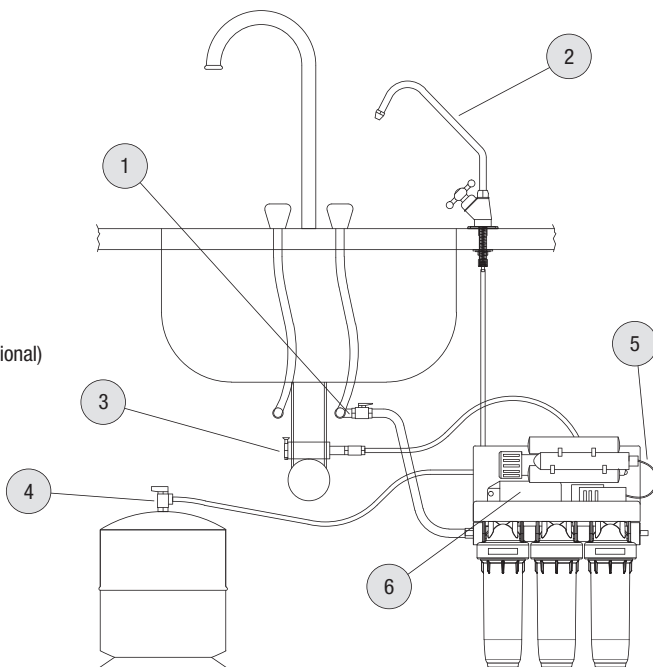
Compatibilidad de la línea de alimentación con las especificaciones eléctricas del transformador de la bomba de refuerzo (para los modelos PUMP) y la lámpara UV (para los modelos UV).

Cables eléctricos del circuito de alimentación de un diámetro superior a 1 mm.

Estabilidad de la tensión de red (fluctuación de la tensión de menos de 10%).

### DIAGRAMA DE INSTALACIÓN

- 1 Toma de agua
- 2 Grifo de agua tratada
- 3 Abrazadera de desagüe
- 4 Grifo del depósito
- 5 Alimentación de la lámpara UV (opcional)
- 6 Bomba booster (opcional)



#### 2.5.1 Instalación típica con toma de agua 1/2" MF

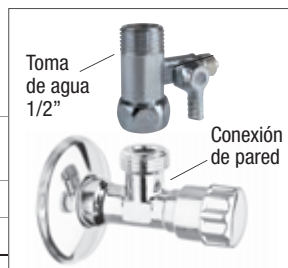


Desenroscar la abrazadera de la manguera de agua fría de la conexión de pared.

Con la cinta de sellado (PTFE), instalar la toma de agua de 1/2" MF con grifo de 1/4".

Vuelva a colocar la manguera retirada anteriormente en el macho de la toma de agua.

Conectar la manguera de 1/4" del OASIS a la toma de agua.



## 2.5.2 Instalación de la abrazadera de desagüe



Instalar la abrazadera de desagüe en el sifón de desagüe del fregadero.

Comprobar que el sello se sitúe correctamente en la tubería y que los tornillos estén apretados.

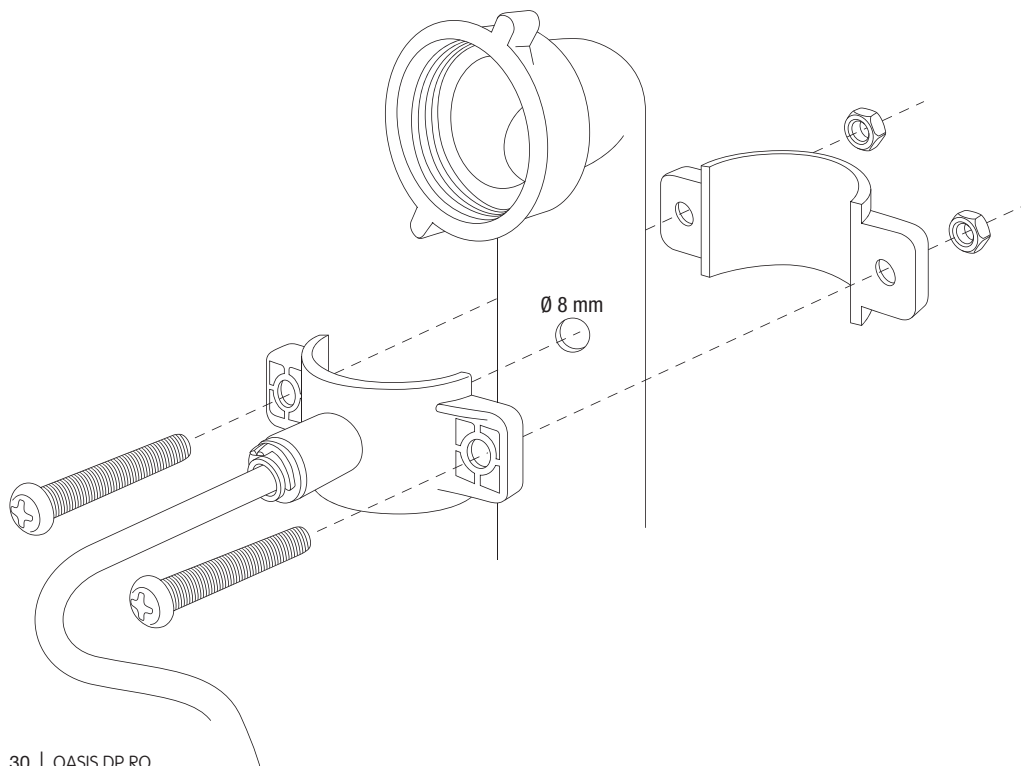
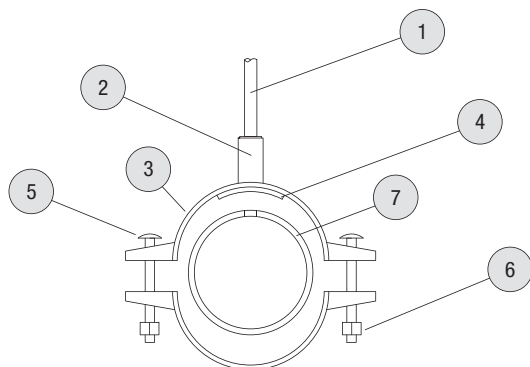
Quitar la tuerca de sujeción del tubo de desagüe.

Con el uso de un taladro con broca de 6 mm, perforar un agujero en el tubo de sifón de desagüe, en correspondencia de la tuerca desmontada.

Insertar el tubo de desagüe en la tuerca aproximadamente 2 cm y apretar la tuerca de fijación en la brida.

Apretar la tuerca de fijación e instalar la válvula de retención con la flecha apuntando hacia la brida, lo más cerca posible del desagüe.

- 1 Tubo de desagüe
- 2 Fijación rápida
- 3 Abrazadera de desagüe
- 4 Junta
- 5 Pasador
- 6 Tuerca de fijación del pasador
- 7 Tubo sifón de desagüe del fregadero



### 2.5.3 Instalación del tanque de acumulación



Coloque el tanque en las proximidades de la máquina.

Aflojar la tuerca de fijación colocada en la válvula de bolas del depósito.

Insertar el tubo de 1/4" de conexión del depósito y apretar la tuerca de fijación.

Conectar el tubo de 1/4" a la máquina.

### 2.5.4 Instalación del grifo dedicado



Con un taladro, perforar un agujero de 12 mm de diámetro en la base del fregadero (n. 6), eliminar las rebabas con una lima redonda.

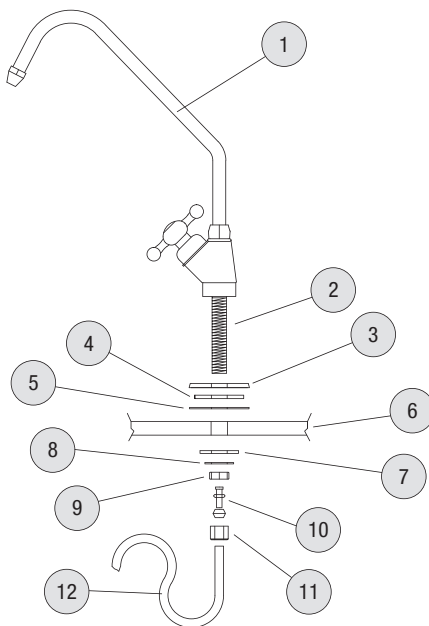
Colocar la junta (n. 5), el espesor (n. 4) y la base cromada (n. 3) en el agujero, a continuación, insertar la varilla roscada del grifo (n. 2).

En la parte inferior, insertar en secuencia la junta (n. 7), la arandela elástica (n. 8) y atornillar la tuerca de fijación (n. 9).

Insertar el tubo (n. 12) en la tuerca terminal (n. 11) y en la ojiva de plástico (n. 10).

Apretar la tuerca terminal (n. 11) en la varilla roscada del grifo (n. 2).

- 1 Grifo
- 2 Varilla roscada del grifo
- 3 Base cromada
- 4 Espesor
- 5 Guarnición
- 6 Base del fregadero
- 7 Junta
- 8 Arandela elástica
- 9 Tuerca de fijación
- 10 Refuerzo termina 1/4"
- 11 Tuerca terminal
- 12 Tubería de 1/4" permeado



### 2.5.5 Instalación de la lámpara UV, de la membrana y de los cartuchos de filtrado



Para evitar daños durante el transporte, la lámpara UV por lo general se envasa por separado; insertar la lámpara suministrada en el paquete.

Para la instalación de la lámpara, consultar la sección 3.1: "Sustitución de la lámpara UV".

Para la instalación de la membrana, ver el párrafo 3.2: "Sustitución de la membrana".

Para la instalación de las cartuchos de filtrado, ver el párrafo 3.3: "Sustitución de los cartuchos de filtrado".

**ATENCIÓN:** el uso de cartuchos distintos de los genuinos anula la garantía.

## 2.6 Puesta en marcha



La membrana osmótica de OASIS DP se suministra empacado en una solución de mantenimiento. Antes de usar el agua es necesario dejarla correr al menos 10 a 15 minutos, haciéndola fluir por el grifo dedicado.

Evitar absolutamente la deshidratación de la membrana, abriendo el paquete imprudentemente. Instalar la membrana inmediatamente después de abrir el paquete.

Para los modelos UV, PUMP y PUMP UV, nunca debe desconectar la conexión eléctrica, manteniendo la unidad siempre encendida.

En la versión con lámpara UV, la primera agua suministrada cuando se abre el grifo puede estar caliente. Dejar fluir el agua durante unos segundos antes de usar.



Nunca apagar el esterilizador de UV; si se apaga, esperar al menos 30 minutos antes de volverlo a encender.

## 3. MANTENIMIENTO ORDINARIO



Antes de realizar cualquier operación de mantenimiento de rutina, asegurarse de que el enchufe de corriente esté desconectado.

El mantenimiento de rutina se refiere a la sustitución de los componentes consumibles.

Se recomienda realizar el mantenimiento de rutina al menos una vez cada 3 meses.

ELEMENTO A COMPROBAR	CONTROL	FRECUENCIA
Aparato	Control visual de la integridad y estado de conservación Limpieza general Verificación funcional	3-6 MESES (*)
Cartuchos de filtración	Sustitución	3-6 MESES (*)
Postfiltros AIC y AIM	Sustitución	3 meses (*)
Lámpara UV	Sustitución	8.000 horas (*)
Membrana de ósmosis inversa	Sustitución	3 meses (*)

(\*) Las condiciones particulares del agua pueden requerir un mantenimiento más frecuente.



El aparato eléctrico de los modelos PUMP, UV y PUMP-UV se suministra con corriente eléctrica de 220V - 50/60 Hz. Antes de realizar el mantenimiento, asegurarse de que el enchufe de corriente esté desconectado.



Para limpiar el equipo, no utilizar productos corrosivos, ácidos, lana de acero o cepillos de acero. No lavar el equipo con chorros de agua directos o de alta presión.

### 3.1 Sustitución de la lámpara UV

La máquina está equipada con una lámpara germicida UV, cuya vida útil se estima en 8.000 horas.



Los rayos ultravioletas son peligrosos para los ojos, evitar la exposición directa.



Retirar la tapa de goma.

Retirar con cuidado la lámpara UV desgastada del tubo de cuarzo.

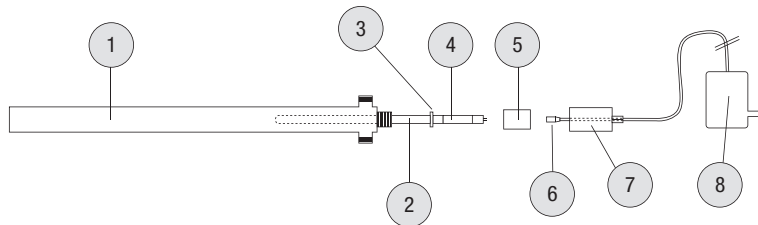
Retirar el conector superior y cable terminal de la lámpara.

Sustituir la lámpara y volverla a montar en su alojamiento.

Conectar el enchufe de alimentación.



- 1 Cuerpo del esterilizador
- 2 Tubo de cuarzo
- 3 Junta
- 4 Lámpara UV
- 5 Bloqueo de envoltura
- 6 Cable terminal
- 7 Tapón cobrecontacto
- 8 Transformador



### 3.2 Sustitución de la membrana osmótica



Eliminar el agua del grifo sobre el fregadero para quitar presión al circuito.

Desconectar el tubo de conexión en el cabezal del VASO.

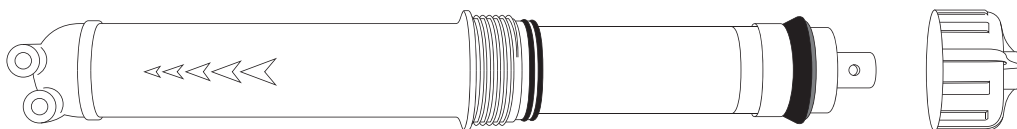
Desenrosque el cabezal del VASO.

Utilizando pinzas, retirar la membrana.

Insertar la nueva membrana.

Volver a enroscar el cabezal del VASO.

Insertar los tubos de conexión.



### 3.3 Sustitución de los cartuchos de filtrado

Los cartuchos originales están disponibles en dos kit prácticos y asequibles.

Para los modelos OASIS DP - **KIT Cartuchos OASIS DP -**

1. SEDIMENTO - Filtro de polipropileno melt blown de 5 micras
2. Carbón activado granular (G.A.C.) - Reducción del olor y el sabor de cloro (CTO)
3. VOC - Bloque de carbón de 5 micras, para reducir los compuestos orgánicos volátiles

Para los modelos OASIS DP SANIC - **KIT Cartuchos OASIS DP SANIC -**

1. SEDIMENTO - Filtro SANIC de hilo bobinado de 5 micras
2. SEDIMENTO - Filtro SANIC de polipropileno melt blown de 5 micras
3. VOC - Bloque de carbón de 5 micras, para reducir los compuestos orgánicos volátiles

La vida media de un cartucho de filtro varía dependiendo del uso, las condiciones ambientales, LA presión, etc. En general, los cambios en el sabor, olor o color del agua indican que el cartucho debe ser reemplazado.

- A. Antes de abrir el contenedor cerrar el grifo de agua principal y colocar un recipiente bajo el sistema para recoger el agua que sale al retirar los cartuchos.
- B. Quitar la presión del producto abriendo el grifo sobrefregadero.
- C. Abrir el contenedor desenroscando el vaso del cabezal.
- D. Desmontar el cartucho usado.
- E. Limpiar suavemente el vaso con agua fría y una esponja suave.
- F. Retirar la película protectora del nuevo cartucho.
- G. Introducir el cartucho nuevo en el vaso.
- H. Lubricar la junta tórica del vaso con el lubricante incluido en el paquete (Lubrikit). Si la junta tórica está dañada, reemplazarla con una nueva junta tórica (suministrada) y luego lubricar con Lubrikit.
- I. Enroscar el vaso al cabezal y apretar con la llave, no apretar demasiado. Si la clave no se incluye en el paquete se debe comprar por separado.
- J. Abrir lentamente el grifo de agua principal.
- K. Dejar fluir agua corriente durante 5 minutos de un grifo aguas abajo del producto antes de su uso. Esta operación también permite la descarga del aire del producto.



El uso de cartuchos distintos de los genuinos anula la garantía.

---

### 3.4 Sustitución del post-filtro AIC - carbón activado



Retirar los anillos azules de la seguridad de los enganches rápidos del post-filtro (entrada y salida).

Presionar el anillo de desenganche de los enganches rápidos para extraer los tubos de entrada y salida.

Retirar el postfiltro usado de la brida y cambiarlo por uno nuevo postfiltro AIC (utilizar solo recambios originales para evitar que la garantía quede anulada).

Conectar los tubos a los racores de entrada y salida, asegurándose de que los tubos estén en el enganche rápido.

Volver a insertar los anillos de seguridad en los enganches rápidos.

---

### 3.5 Sustitución del post-filtro AIM - cartucho re-mineralizador

Efectuar las operaciones de sustitución según los procedimientos especificados en el párrafo 3.4.

## 4. MANTENIMIENTO EXTRAORDINARIO



El mantenimiento extraordinario (reparación y/o reemplazo de piezas no consumibles) debe ser realizado por personal cualificado de la empresa y los distribuidores acreditados, o se pierde la garantía.

---

FECHA

TIPO DE INTERVENCIÓN

---

---

---

---

---

---

---

---

---

---

## GUÍA PARA SOLUCIONAR LOS PROBLEMAS

Los equipos OASIS DP están realizados siguiendo los controles de calidad más estrictos y sometidos a severas pruebas de eficiencia y resistencia. A continuación se presentan una serie de inconvenientes que se pueden manifestar debido a defectos de instalación, mantenimiento o usos disconformes a los indicados, por posibles desatenciones en el uso o, por último, debido al desgaste del filtro y de sus partes.

### Problema: El dispositivo no entrega agua.

Causa	Solución
Grifo de entrada cerrado.	Abrir el grifo de entrada.
Presión insuficiente a la entrada.	Comprobar que la presión de la red de alimentación de agua no sea inferior a 3 bar (43,5 psi) en los modelos sin bomba y a 0,5 bar (7,2 psi) en los modelos con bomba
Filtros atascados.	Comprobar el estado de los cartuchos de filtro; si se encuentra sucios, reemplazarlos.
Válvula de cierre rota.	Volver a colocar la válvula de cierre (ver sección 4 de mantenimiento extraordinario).
Atascamiento de la membrana.	Sustituir la membrana.
Bomba booster rota.	Sustituir la bomba (ver sección 4 de mantenimiento extraordinario).

### Problema: El equipo descarga continuamente agua.

Causa	Solución
Pérdida en el circuito hidráulico.	Controlar los tubos y racores en búsqueda de pérdidas.
Válvula de cierre rota.	Volver a colocar la válvula de cierre (ver sección 4 de mantenimiento extraordinario).

### Problema: El agua tratada tiene un sabor desagradable.

Causa	Solución
Post-filtro AIC de carbón activado desgastado.	Reemplazar el post-filtro AIC.
Vaso de acumulación bacteriológicamente contaminado.	Sustituir el vaso de acumulación (ver sección 4 de mantenimiento extraordinario).
Membrana RO rota.	Sustituir la membrana.
Lámpara UV rota.	Sustituir la lámpara UV.

### Problema: Al abrir el grifo, la bomba de refuerzo no arranca.

Causa	Solución
Falla de energía eléctrica.	Asegúrese de que el enchufe esté insertado y que haya corriente.
Bomba quemada.	Sustituir la bomba (ver sección 4 de mantenimiento extraordinario).
Cableado incorrecto.	Comprobar el cableado de la bomba y del presóstato de máxima esquema 2.3. (ver sección 4 de mantenimiento extraordinario).
Alimentador de la bomba quemado.	Sustituir el alimentador de la bomba (ver sección 4 de mantenimiento extraordinario).

### Problema: Con el grifo cerrado, la bomba de refuerzo se reinicia durante unos segundos.

Causa	Solución
Pérdida en el circuito hidráulico.	Comprobar el circuito hidráulico hasta que el grifo de extracción en busca de fugas.

## GARANTÍA LIMITADA

Garantía ofrecida por Atlas Filtri S.r.l. - Via del Santo, 227 - 35010 Limena (ITALIA, en calidad de suministrar del producto acabado.

A) Garantía limitada: Atlas Filtri S.r.l. garantiza por un periodo de 12 meses desde la fecha de compra del producto que cada producto, bajo un uso y servicio normales, está libre de defectos en materiales y mano de obra, con referencia a las siguientes exclusiones y limitaciones:

B) Exclusiones - La garantía ofrecida por Atlas Filtri S.r.l. se aplica en los siguientes casos:

(I) desgaste de los cartuchos y cualquier componente como parte de la operación normal, incluyendo, sin limitación, también las juntas.

(II) instalación, alteración, modificación, incorrección o falta de mantenimiento, mantenimiento no realizado de acuerdo con el manual de instrucciones del producto o realizado por personal no cualificado.

(III) instalación y/o uso de piezas u otros componentes no originales.

(IV) instalación de este producto en ambientes inadecuados y/o en condiciones que no están contempladas en el manual de instrucciones.

C) Limitaciones - La responsabilidad de Atlas Filtri S.r.l. de esta garantía limitada se limita únicamente a la sustitución del producto reconocido como defectuoso por un distribuidor autorizado en el lugar habitual de trabajo y en horas de trabajo normales, excluyendo los gastos de envío, instalación y otros gastos de reparación. Los defectos y/o retrasos de ejecución no son elegibles para la compensación o para garantías extendidas. EN LA MEDIDA MÁXIMA PERMITIDA POR LA LEY APLICABLE, ATLAS FILTRI S.r.l. NO SERA RESPONSABLE DE NINGÚN GASTO, PÉRDIDA O DAÑO, SEA DIRECTO, INCIDENTAL, PUNITIVO, CONSECUENTE O EJEMPLAR, QUE PUEDA PLANTERASE EN RELACIÓN CON LA VENTA, EL USO O LA IMPOSIBILIDAD DE USAR EL PRODUCTO PARA CUALQUIER FINALIDAD Y USO. Esta garantía limitada es el único recurso y es de total responsabilidad de Atlas Filtri S.r.l., tanto por garantía, contrato o motivos de negligencia, con respecto a los defectos reales o sospechados en las condiciones de funcionamiento de los productos de Atlas Filtri S.r.l. EXCEPTO LO EXPRESAMENTE INDICADO EN EL PRESENTE, TODAS LAS GARANTÍAS IMPLÍCITAS POR LEY, INCLUYENDO CUALQUIER GARANTIA DE COMERCIALIZACION O APTITUD PARA UN PROPÓSITO PARTICULAR, QUEDA EXPRESAMENTE EXCLUIDA. LAS ANTERIORES DECLARACIONES DE GARANTÍA SON EXCLUSIVAS Y SUSTITUYEN CUALQUIER OTRO RECURSO POSIBLE.

# OASIS DP - Umkehrosmosegeräte

## HANDBUCH FÜR INSTALLATION, GEBRAUCH UND WARTUNG



Sehr geehrter Kunde, wir danken Ihnen für die Entscheidung für dieses Produkt von Atlas Filtri.

### 1. ALLGEMEINE INFORMATIONEN

Die Angaben in dieser Bedienungsanleitung gelten für die folgenden Modelle:

OASIS DP STD  
OASIS DP PUMP  
OASIS DP UV  
OASIS DP PUMP-UV  
OASIS DP-F PUMP  
OASIS DP-F PUMP-UV



OASIS DP SANIC STD  
OASIS DP SANIC PUMP  
OASIS DP SANIC UV  
OASIS DP SANIC PUMP-UV  
OASIS DP-F SANIC PUMP  
OASIS DP-F SANIC PUMP-UV

OASIS DP ist ein zur Aufbereitung von Trinkwasser bestimmtes Gerät, das in der Lage ist, seine organoleptischen und chemischen Charakteristika und seinen Salzgehalt zu verändern und gleichzeitig die mikrobiologische Sicherheit zu garantieren. Bei korrektem Gebrauch und entsprechender Wartung wird die Verringerung der häufigsten Schadstoffe, wie z.B. von Insektiziden, Pestiziden, Düngemitteln, gefährlichen organischen Substanzen, Schwermetallen und krankheitserregenden Mikroorganismen ermöglicht.

#### 1.1 VERWENDETE SYMBOLE

##### ALLGEMEINE HINWEISE



Weist auf einen Warnhinweis oder einen Hinweis zu den Schlüsselfunktionen oder nützliche Informationen hin. Widmen Sie den mit diesem Symbol gekennzeichneten Textblöcken größte Aufmerksamkeit.



Weist auf einen manuellen Einstellungsvorgang hin, der auch die Verwendung von tragbaren Geräten oder Werkzeugen vorsehen kann.



Es ist erforderlich, einen Wert zu messen, eine Meldung zu kontrollieren oder eine Sichtprüfung durchzuführen.

##### GEFAHRENHINWEISE



Allgemeine Gefahr, die Risiken für den Benutzer birgt.



Gefahr durch Elektrizität.

##### VERBOTSHINWEISE



Verbot.

#### 1.2 BENUTZUNGSBEDINGUNGEN



OASIS DP ist kein Trinkwasseraufbereiter. Im Fall von nicht aus dem Trinkwassernetz stammendem oder Wasser unbekannter Qualität nicht für Trinkwasserzwecke verwenden.



Führen Sie regelmäßige Instandhaltungsvorgänge durch, um die Trinkwasseranforderungen des aufbereiteten Trinkwassers und den Erhalt der erklärten Leistungen zu garantieren.

Verwenden Sie ausschließlich Wasser mit einem pH-Wert von 6,5 bis 9,5.

Beachten Sie die auf den Etiketten angegebenen Grenzwerte.

Schützen Sie das Gerät vor Frost und zu hohen Temperaturen: min. 4°C (39.2°F) - max. 45°C (113°F).

Bei längerer Nichtbenutzung die Filterpatronen und die Membranen entnehmen und vor der erneuten Verwendung neue einsetzen. Lassen Sie nach der Wartung mindestens fünf Minuten lang Wasser durchfließen, bevor Sie das Gerät verwenden.



Am Ende der Lebensdauer des Geräts der Serie OASIS, der jeweiligen Filterpatronen, der Membranen und der UV-Leuchten das Gerät entsprechend der vor Ort geltenden gesetzlichen Bestimmungen entsorgen.

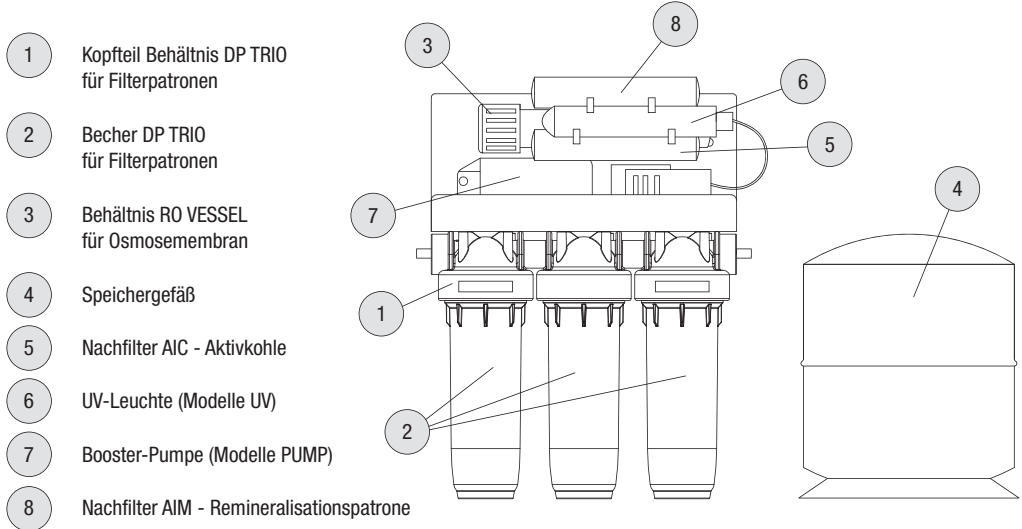
## 2. INSTALLATION

### 2.1 Einleitung



Die Montage- und Installationsvorgänge müssen gemäß den vor Ort geltenden Bestimmungen von Fachleuten ausgeführt werden. Vor jeglichen Vorgängen sind die in dieser Bedienungsanleitung enthaltenen Anweisungen aufmerksam zu lesen. Bewahren Sie die Bedienungsanleitung auf und schützen Sie sie vor Bedingungen, die ihre Lesbarkeit beeinträchtigen könnten.

### 2.2 Hauptbestandteile



### 2.3 Anschlussplan (Abb. 1 und Abb. 2)



Der Prozentsatz der gelösten Salze und der anderen zurückgehaltenen Elemente wird von der Wasserqualität, der Temperatur, dem Druck und der Gesamtheit der gelösten Salze beeinflusst und ändert sich abhängig von den jeweiligen Salzen oder Elementen.

Die Aufbereitung besonders trüben oder verunreinigten Wassers kann zur Verstopfung der Vorfilter bzw. der Membranen und damit zur Verringerung des Wasserdurchflusses führen.



Es können keine Abwässer oder Meerwasser bzw. in jedem Fall Wasser mit chemischen, physikalischen und bakteriologischen Voraussetzungen aufbereitet werden, die durch die praktischen Möglichkeiten der Aufbereitung durch Umkehrosmose ausgeschlossen sind (Abwässer aus Industrie und chemischen Behandlungen).



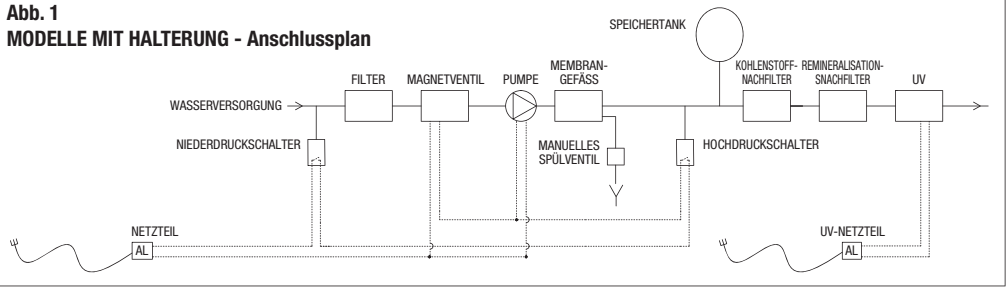
Die UV-Leuchten sind für die Augen gefährlich, daher sollte eine direkte Aussetzung der Strahlen vermieden werden.

### 2.4 Technische Daten (Tab. A)

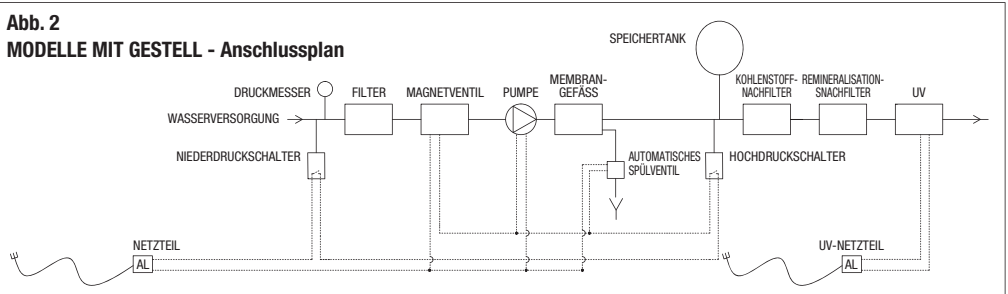


Die Verwendung des Produkts unter anderen Betriebsbedingungen als den in den TECHNISCHEN DATEN beschriebenen wird als UNSACHGEMÄßER GEBRAUCH betrachtet. Der Hersteller haftet nicht für eventuelle Schäden durch den unsachgemäßen Gebrauch des Geräts, die Nichtbeachtung der in dieser Anleitung enthaltenen Anweisungen, Reparatureingriffe durch fachlich nicht qualifiziertes Personal oder durch Änderungen, die die ursprüngliche Funktionsweise des Geräts verändern.

**Abb. 1**  
**MODELLE MIT HALTERUNG - Anschlussplan**



**Abb. 2**  
**MODELLE MIT GESTELL - Anschlussplan**



**Tab. A**

		Modell				
Technische Eigenschaft		Maßeinheit	Standard	UV	PUMP	PUMP UV
	Max. Abmessungen Modelle mit Halterung	mm	580x370x150	580x370x150	580x370x150	580x370x150
	Max. Abmessungen Modelle mit Gestell (Höhe x Breite x Tiefe)	mm			510x380x200	510x380x200
	Maße des Behälters aus Metall	mm	280x345	280x345	280x345	280x345
	Maße des Behälters aus Kunststoff (Durchmesser x Höhe)	mm	284x400	284x400	284x400	284x400
	Gewicht	kg	5	5,5	7	7,5
	Max. Tagesproduktion 50 GPD	l	190	190	190	190
	Max. Tagesproduktion 100 GPD	l	380	380	380	380
	Rückgewinnungsanteil	%	20	20	20	20
	Salzrückhaltung	%	90	90	95	95
	Bakterienrückhaltung	%	> 98	> 98	> 98	> 98
Speisewasser	Max. TDS Speisewasser	mg/l (ppm)	1000	1000	1000	1000
	Max. Speisewassertemperatur	°C	30	30	30	30
	Mindestspeisewasserdurchfluss	l/h	100	100	100	100
	Mindestspeisewasserdruck	bar	3	3	1	1
	Max. Speisewasserdruck	bar	8	8	3	3
UV	Stromversorgung			Einphasig + Erdung		Einphasig + Erdung
	Nennspannung	V		220/230		220/230
	Frequenz	Hz		50/60		50/60
	Stromaufnahme	A		0,1 - 0,12A		0,1 - 0,12A
	Leistung	W		6W		6W
Pumpe	Stromversorgungsart				Gleichstrom	Gleichstrom
	Nennspannung	V			24	24
	Förderhöhe	psi			116	116

## 2.5 Installation des Produkts



Prüfen Sie vor der Installation, ob die Hydraulikanlage sachgemäß installiert wurde.

Installieren Sie einen Bypass, der den Ausschuss des Geräts gestattet.

Installieren Sie ein Rückschlagventil vom Gerät zum Wasserversorgungsnetz.

Im Falle eines Versorgungsdrucks von mehr als 8 bar (116 psi) muss vor dem Produkt ein Druckminderer installiert werden. Schützen Sie das Produkt mittels eines geeigneten Wasserschlagschutzsystems vor eventuellen Wasserschlägen (Ausdehnungsgefäß, Stoßdämpfer).

Installieren Sie im Fall eines Versorgungsdrucks von unter 3 bar Modelle mit Pumpe (PUMP, PUMP-UV).



Einrichtung und Wirkungsgrad der Erdung der Versorgungsleitung.

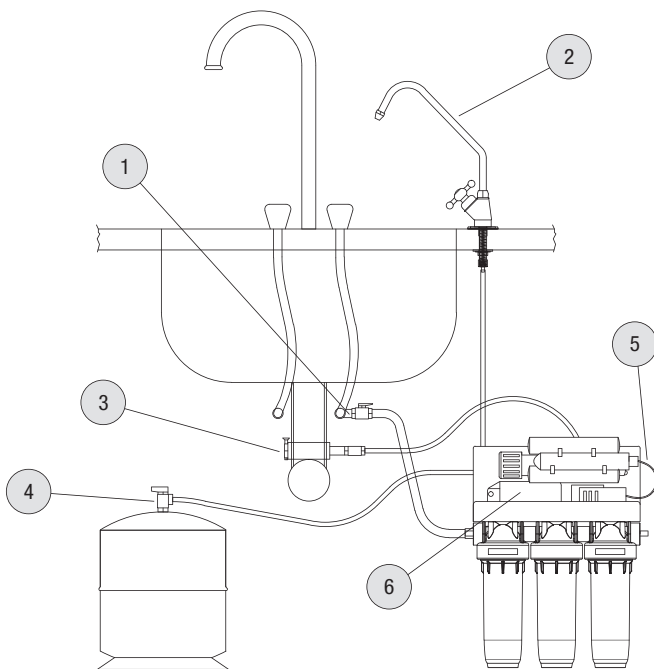
Kompatibilität der Versorgungsleitung mit den elektrischen Daten des Transformators der Booster-Pumpe (für die Modelle PUMP) und der UV-Leuchte (für die Modelle UV).

Stromkabel des Versorgungskreises mit einem Durchmesser von über 1 mm.

Stabilität der Netzspannung (Spannungsschwankungen unter 10 %).

### INSTALLATIONSPLAN

- 1 Wasseranschluss
- 2 Wasserhahn aufbereitetes Wasser
- 3 Abflusshalterung
- 4 Tankhahn
- 5 Versorgung UV-Leuchte (Option)
- 6 Booster-Pumpe (Option)



### 2.5.1 Typische Installation mit Wasseranschluss 1/2" Außen-/Innengewinde



Die Mutter des Kaltwasserschlauchs von der Wandbefestigung lösen.

Mit Dichtungsband (PTFE) den 1/2"-Anschluss mit Außen-/Innengewinde mit 1/4"-Hahn installieren.

Den zuvor entfernten Schlauch wieder auf dem Außengewinde des Wasseranschlusses anbringen.

Den 1/4"-Schlauch des OASIS-Geräts an den Wasseranschluss anschließen.





## 2.5.2 Installation der Abflusshalterung



Abflusshalterung an der Abflussleitung des Waschbeckens installieren.

Überprüfen, ob die Dichtung korrekt auf dem Schlauch anliegt und die Schraubenbolzen fest sitzen.

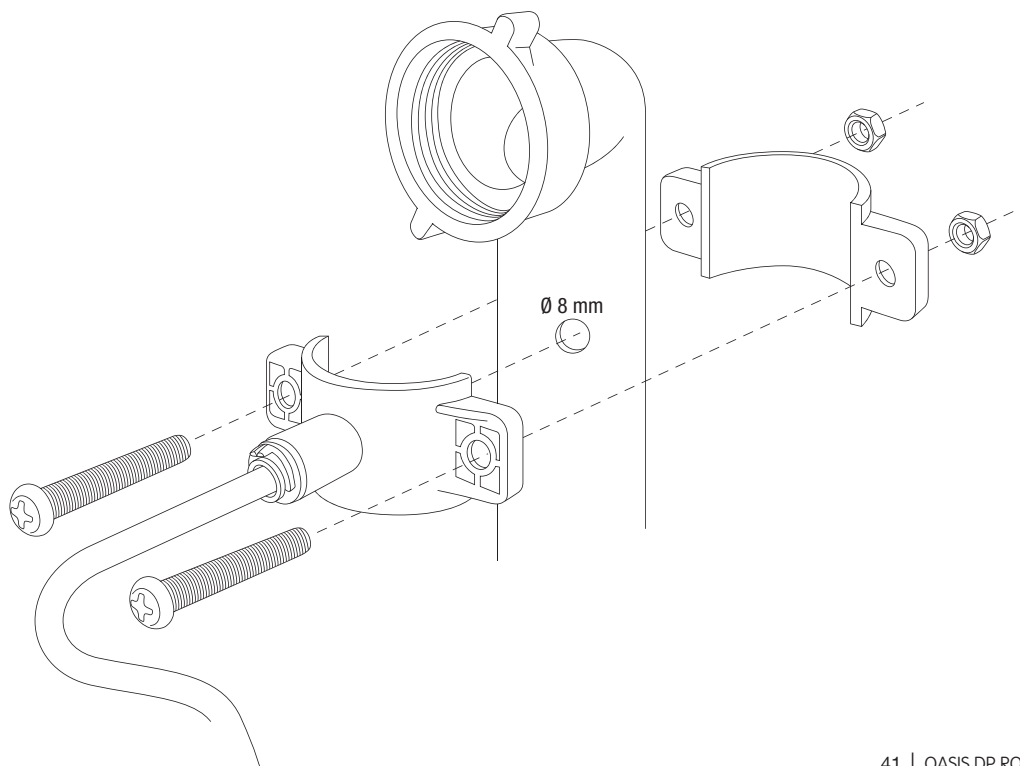
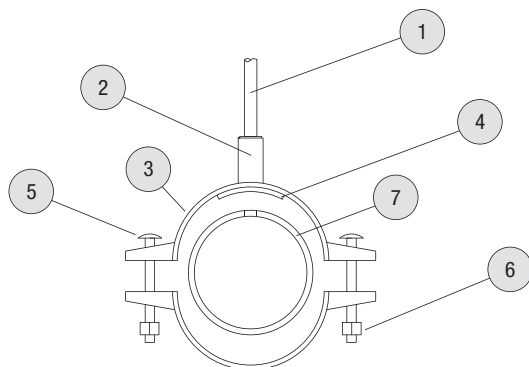
Die Befestigungsmutter des Abflussrohrs entfernen.

Unter Verwendung eines Bohrers mit einer 6 mm-Spitze auf der Abflussleitung auf der Höhe der soeben entfernten Mutter eine Bohrung anbringen.

Das Abflussrohr ca. 2 cm in die Mutter einführen und die Befestigungsmutter auf der Halterung verschrauben.

Die Befestigungsmutter anziehen und das Rückschlagventil mit dem Pfeil zur Halterung gerichtet so nahe wie möglich am Abfluss anziehen.

- 1 Abflussrohr
- 2 Schnellanschluss
- 3 Abflusshalterung
- 4 Dichtung
- 5 Schraubenbolzen
- 6 Schraubenmutter
- 7 Abflussleitung des Waschbeckens



### 2.5.3 Installation des Speichertanks



Den Tank in der Nähe der Maschine aufstellen.

Die Befestigungsmutter am Kugelventil des Tanks lösen.

Die 1/4"-Anschlussleitung des Tanks einsetzen und die Befestigungsmutter anziehen.

Die 1/4"-Anschlussleitung an die Maschine anschließen.

### 2.5.4 Installation des Spezialhahns



Mit einem Bohrer eine Bohrung mit einem Durchmesser von 12 mm an der Basis des Waschbeckens (Nr. 6) anbringen und eventuelle Grate mit einer Rundfeile entfernen.

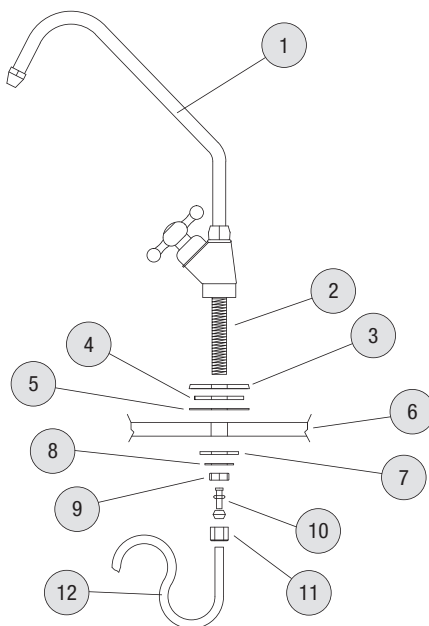
Die Dichtung (Nr. 5), Das Abstandsstück (Nr. 4) und die verchromte Basis (Nr. 3) auf der Öffnung positionieren, dann die Gewindestange des Wasserhahns (Nr. 2) einsetzen.

Auf der Unterseite der Reihenfolge nach die Dichtung (Nr. 7) und die Federscheibe (Nr. 8) einsetzen und die Befestigungsmutter (Nr. 9) verschrauben.

Die Leitung (Nr. 12) in die Endmutter (Nr. 11) und in die Kunststoffspitze (Nr. 10) einsetzen.

Die Endmutter (Nr. 11) auf die Gewindestange des Wasserhahns (Nr. 2) setzen.

- 1 Wasserhahn
- 2 Gewindestange des Wasserhahns
- 3 Verchromte Basis
- 4 Abstandsstück
- 5 Dichtung
- 6 Waschbeckenbasis
- 7 Dichtung
- 8 Federscheibe
- 9 Befestigungsmutter
- 10 Kunststoffspitze
- 11 Endmutter
- 12 1/4"-Permeatleitung



### 2.5.5 Installation der UV-Leuchte, der Membran und der Filterpatronen



Um mögliche Transportschäden zu vermeiden wird die UV-Leuchte normalerweise getrennt verpackt. Die in der Packung enthaltene Leuchte einsetzen.

Zur Installation der Leuchte siehe Abschnitt 3.1: "Ersetzen der UV-Leuchte".

Zur Installation der Membran siehe Abschnitt 3.2: "Ersetzen der Membran".

Zur Installation der Filterpatronen siehe Abschnitt 3.3: "Ersetzen der Filterpatronen".

**ACHTUNG: Die Verwendung anderer als Originalpatronen führt zum Erlöschen der Garantie.**

## 2.6 Inbetriebnahme



Die Osmosemembran von OASIS DP wird mit einer Erhaltungslösung getränkt geliefert. Vor der Verwendung des Wassers muss dieses mindestens 10-15 Minuten laufen und aus dem entsprechenden Wasserhahn abgelassen werden.

Das Austrocknen der Membran durch unvorsichtiges Öffnen der Packung unbedingt vermeiden. Die Membran sofort nach dem Öffnen der Packung installieren.

Für die Modelle UV, PUMP und PUMP UV darf der elektrische Anschluss nie unterbrochen werden und das Gerät muss stets eingeschaltet bleiben.

Bei der Version mit UV-Leuchte kann das beim Öffnen aus dem Wasserhahn austretende Wasser warm sein. Das Wasser vor der Verwendung einige Sekunden laufen lassen.



Den UV-Entkeimer nie ausschalten. Im Fall des Ausschaltens vor dem erneuten Einschalten mindestens 30 Minuten abwarten.

## 3. LAUFENDE INSTANDHALTUNG



Vergewissern Sie sich vor jeglichen Vorgängen der laufenden Instandhaltung, dass der Netzstecker gezogen ist.

Die laufende Instandhaltung bezieht sich nur auf das Ersetzen von Verbrauchsmaterialien. Die Durchführung der laufenden Instandhaltung wird mindestens alle 3 Monate empfohlen.

ZU KONTROLLIERENDE ELEMENTE	KONTROLLE	HÄUFIGKEIT
Gerät	Sichtprüfung der Unversehrtheit und des Erhaltungszustands - Allgemeine Reinigung Funktionsprüfung	3-6 MONATE (*)
Filterpatronen	Ersetzen	3-6 MONATE (*)
Nachfilter AIC und AIM	Ersetzen	Alle 3 Monate (*)
UV-Leuchte	Ersetzen	Alle 8.000 Stunden (*)
Umkehrosmosemembran	Ersetzen	Alle 3 Jahre (*)

(\*) Bei besonderen Wasserbedingungen kann eine häufigere Instandhaltung erforderlich sein.



Das Elektrogerät der Modelle PUMP, UV und PUMP-UV wird mit einem Strom von 220V - 50/60 Hz versorgt. Vergewissern Sie sich vor der Instandhaltung, dass der Netzstecker gezogen ist.



Zur Reinigung des Geräts keine ätzenden oder sauren Produkte, Stahlwollschwämme oder Stahlbürsten verwenden. Das Gerät nicht mit direkten Wasserstrahlen oder Hochdruckreinigern waschen.

### 3.1 Ersetzen der UV-Leuchte

Die Maschine ist mit einer keimabtötenden UV-Leuchte ausgestattet, deren Lebensdauer auf 8.000 Stunden geschätzt wird.



Die UV-Leuchten sind für die Augen gefährlich, daher sollte eine direkte Aussetzung der Strahlen vermieden werden.



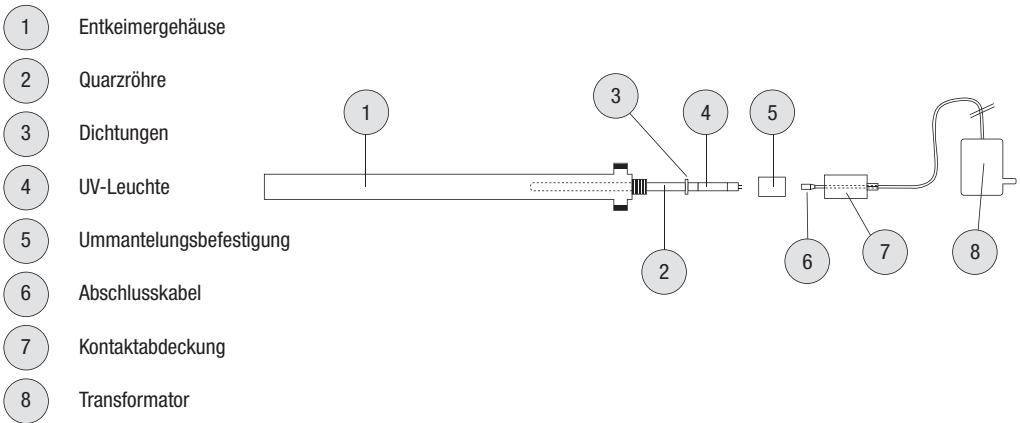
Die Gummikappe abziehen.

Die alte UV-Lampe vorsichtig aus der Quarzröhre entnehmen.

Den oberen Verbinder und das Abschlusskabel der Leuchte lösen.

Die Leuchte ersetzen und wieder an Ort und Stelle anbringen.

Den Netzstecker wieder einstecken.



### 3.2 Ersetzen der Osmosemembran



Wasser aus dem Hahn über dem Waschbecken ablassen, um Druck aus dem Kreislauf abzulassen.

Die Anschlussleitung auf dem Kopfteil des VESSELS lösen.

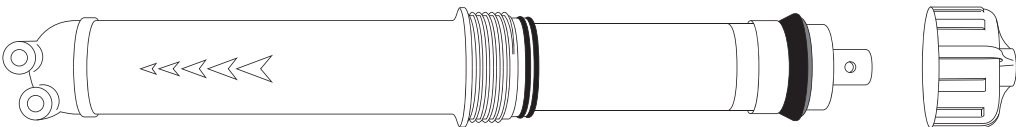
Das Kopfteil des VESSELS lösen.

Die Membran mit einer Pinzette entnehmen.

Die neue Membran einsetzen.

Das Kopfteil des VESSELS wieder verschrauben.

Die Anschlussleitungen einführen.



### 3.3 Ersetzen der Filterpatronen

Die Originalpatronen sind in zwei praktischen und bequemen SETS erhältlich.

Für die Modelle OASIS DP - **SET OASIS DP-Patronen** -

1. SEDIMENT - PP Meltblown-Filter 5 Micron
2. CTO Chlorine-Taste-Odor gekörnte Aktivkohle
3. VOC - Kohleblock zu 5 Mikron zur Reduzierung von flüchtigen organischen Verbindungen

Für die Modelle OASIS DP SANIC - **SET OASIS DP-Patronen** -

1. SEDIMENT - String Wound SANIC-Filter 5 Micron
2. SEDIMENT - PP Meltblown SANIC-Filter 5 Micron
3. VOC - Kohleblock zu 5 Mikron zur Reduzierung von flüchtigen organischen Verbindungen

Die durchschnittliche Lebensdauer einer Filterpatrone hängt vom Gebrauch, den Umgebungsbedingungen, dem Druck, usw. ab. Im Allgemeinen weisen Geschmacks-, Geruchs- oder Farbänderungen des Wassers darauf hin, dass die Patrone ersetzt werden sollte.

- A. Vor dem Öffnen des Behälters den Hauptwasserhahn schließen und eine Schüssel unter das System stellen, um das eventuell während des Entfernens der Patronen austretende Wasser aufzufangen.
- B. Den Druck aus dem Gerät ablassen und dazu den darunter liegenden Hahn öffnen.
- C. Den Behälter durch Lösen des Bechers vom Kopfteil öffnen.
- D. Die gebrauchte Patrone entfernen.
- E. Den Becher vorsichtig mit kaltem Wasser und einem weichen Schwamm reinigen.
- F. Die Schutzfolie von der neuen Patrone entfernen.
- G. Die neue Patrone in den Becher einsetzen.
- H. Den O-Ring des Bechers mit dem im Lieferumfang enthaltenen Schmiermittel einschmieren (Lubrikit). Sollte der O-Ring beschädigt sein, diesen durch einen neuen ersetzen (O-Ring im Lieferumfang enthalten) und dann mit Lubrikit einschmieren.
- I. Den Becher am Kopf verschrauben und mit dem Schlüssel nicht zu fest anziehen. Ist der Schlüssel nicht in der Packung enthalten, muss dieser separat erworben werden.
- J. Den Hauptwasserhahn langsam öffnen.
- K. Vor der Verwendung 5 Minuten lang Wasser aus dem Hahn nach dem Gerät abfließen lassen. Dieser Vorgang gestattet auch das Ablassen von Luft aus dem Gerät.



Die Verwendung anderer als Originalpatronen führt zum Erlöschen der Garantie.

---

### 3.4 Ersetzen des Nachfilters AIC - Aktivkohle



Die blauen Sicherheitsringe aus den Schnellanschlüssen des Nachfilters entnehmen (Ein- und Auslass).

Auf den Ring zum Lösen der Schnellanschlüsse drücken, um die Ein- und Auslassleitungen zu entfernen.

Den alten Nachfilter aus der Halterung entnehmen und durch einen neuen Nachfilter AIC ersetzen (nur Originalersatzteile verwenden, da sonst die Garantie erlischt).

Die Leitungen an die Ein- und Auslassarmaturen anschließen und dabei kontrollieren, ob die Leitungen fest im Schnellanschluss sitzen.

Die Sicherheitsringe wieder in die Schnellanschlüsse einsetzen.

---

### 3.5 Ersetzen des Nachfilters AIM - Remineralisationspatrone

Die Vorgänge zum Ersetzen gemäß den unter Punkt 3.4 angegebenen Anweisungen durchführen.

## 4. AUSSERPLANMÄSSIGE INSTANDHALTUNG



Die außerplanmäßige Instandhaltung (Reparatureingriffe bzw. Ersetzen von anderen als Verbrauchsmaterialien) darf ausschließlich durch vom Zulieferer und die akkreditierten Vertreter qualifizierte Fachleute erfolgen, andernfalls erlischt die Garantie.

---

**DATUM**

**ART DES EINGRIFFS**

---

---

---

---

---

## PROBLEMLÖSUNGSHILFE

Die Geräte der Serie OASIS DP werden unter Einhaltung der strengsten Qualitätskontrollen hergestellt und strengen Leistungs- und Belastungstests unterzogen. Im Folgenden werden eine Reihe von Störungen oder Problemen gezeigt, die aufgrund von Fehlern bei Installation und Wartung, nach einer vom vorgesehenen Verwendungszweck abweichenden Nutzung, wegen Unachtsamkeiten im Betrieb bzw. schlussendlich durch Verschleiß des Filters und seiner Komponenten, auftreten können.

### Problem: Das Gerät gibt kein Wasser aus.

Ursache	Lösung
Einlasshahn geschlossen.	Den Einlasshahn öffnen.
Unzureichender Eingangsdruck.	Überprüfen, ob der Druck des Wasserversorgungsnetzes bei den Modellen ohne Pumpe nicht unter 3 bar (43,5 psi) und bei den Modellen mit Pumpe unter 0,5 bar (7,2 psi) liegt.
Verstopfte Filter.	Den Zustand der Filterpatronen kontrollieren. Bei Verstopfung ersetzen.
Absperrventil defekt.	Das Absperrventil ersetzen (sh. Abschnitt 4 außerordentliche Instandhaltung).
Verstopfte Membran.	Die Membran ersetzen.
Booster-Pumpe defekt.	Die Pumpe ersetzen (sh. Abschnitt 4 außerordentliche Instandhaltung).

### Problem: Das Gerät lässt ununterbrochen Wasser ab.

Ursache	Lösung
Verlust im Wasserkreislauf.	Die Leitungen und Fittings auf Verluste überprüfen.
Absperrventil defekt.	Das Absperrventil ersetzen (sh. Abschnitt 4 außerordentliche Instandhaltung).

### Problem: Das ausgegebene Wasser hat einen unangenehmen Geschmack.

Ursache	Lösung
Der Nachfilter AIC mit Aktivkohle ist verbraucht.	Den Nachfilter AIC ersetzen.
Speichergefäß bakteriologisch verschmutzt.	Das Speichergefäß ersetzen (sh. Abschnitt 4 Außerordentliche Instandhaltung).
RO-Membran defekt.	Die Membran ersetzen.
UV-Leuchte defekt.	Die UV-Leuchte ersetzen.

### Problem: Beim Öffnen des Hahns startet die Booster-Pumpe nicht.

Ursache	Lösung
Stromversorgung nicht eingeschaltet.	Vergewissern Sie sich, dass der Stecker eingesteckt und die Stromversorgung vorhanden ist.
Pumpe durchgebrannt.	Die Pumpe ersetzen (sh. Abschnitt 4 Außerordentliche Instandhaltung).
Fehlerhafte Verkabelung.	Die Verkabelung der Pumpe und des Druckmessers gemäß Plan 2.3 überprüfen. (sh. Abschnitt 4 Außerordentliche Instandhaltung).
Netzteil der Pumpe durchgebrannt.	Das Netzteil der Pumpe ersetzen (sh. Abschnitt 4 Außerordentliche Instandhaltung).

### Problem: Bei geschlossenem Hahn schaltet sich die Booster-Pumpe einige Sekunden lang wieder ein.

Ursache	Lösung
Verlust im Wasserkreislauf.	Den Wasserkreislauf bis zum Entnahmehahn auf Verluste überprüfen.

## EINGESCHRÄNKTE GARANTIE

Diese Garantie wird von Atlas Filtri S.r.l. - Via del Santo, 227 - 35010 Limena (ITALIA) als Zulieferer des Endprodukts geleistet.

A) Eingeschränkte Garantie: Atlas Filtri S.r.l. garantiert für einen Zeitraum von 12 Monaten ab dem Kaufdatum, dass jedes Produkt bei normalen Gebrauchs- und Wartungsbedingungen frei von Material- und Herstellungsfehlern ist. Dabei gelten die folgenden Ausschlüsse und Einschränkungen:

B) Ausschlüsse - Die von Atlas Filtri S.r.l. geleistete Garantie gilt in den folgenden Fällen nicht:

(i) Verschleiß und Abnutzung der Patronen und jeglicher Bestandteile als Teil des normalen Betriebs. Dies gilt ohne Einschränkungen auch für die Dichtungen.

(ii) Installation, missbräuchliche Eingriffe, Änderungen, keine oder nicht korrekte Instandhaltung, nicht gemäß der Bedienungsanleitung des Produkts oder durch unqualifiziertes Personal erfolgte Instandhaltung.

(iii) Installation bzw. Verwendung von Nicht-Original-Ersatz- oder anderen Teilen.

(iv) Installation des Produkts in ungeeigneten Umgebungen bzw. unter nicht von der Bedienungsanleitung vorgesehenen Bedingungen.

C) Einschränkungen - Die Haftung von Atlas Filtri S.r.l. bezüglich dieser Garantie beschränkt sich ausschließlich auf das als von einem autorisierten Händler am jeweiligen Arbeitsplatz während der normalen Arbeitsstunden defekt anerkannte Produkt unter Ausschluss der Versand-, Installations- und sonstigen Reparaturkosten. Defekte bzw. Verzögerungen bei der Ausführung führen zu keinem Anspruch auf Entschädigung oder Garantieverlängerung. BIS ZU DEM VON DEN GELTENDEN BESTIMMUNGEN VORGESEHENEN HÖCHSTBETRAG HAFTET ATLAS FILTRI S.r.l. NICHT FÜR JEDLICHE WEITERE KOSTEN, VERLUSTE ODER SCHÄDEN, SOLLTEN DIESE DIREKT, VERSEHENTLICH, ALS STRAFE, FOLGE ODER EXEMPLARISCH IN VERBINDUNG MIT DEM VERKAUF ODER DEM GEBRAUCH ODER DER UNMÖGLICHKEIT DES GEBRAUCHS DES PRODUKTS GLEICH ZU WELCHEN ZWECKEN AUFTRETEN. Diese eingeschränkte Garantie stellt die einzige angebotene Wiedergutmachung und die alleinige Haftung von Atlas Filtri S.r.l. sowohl hinsichtlich der Garantie, des Vertrags oder aus Gründen der Nachlässigkeit in Hinblick auf die tatsächlichen oder angeblichen Defekte der Funktionsbedingungen der Produkte von Atlas Filtri S.r.l. dar. AUSSER DEN AUSDRÜCKLICH ANGEGEBENEN WERDEN JEDLICHE GESETZLICH VORGESEHENEN GEWÄHRLEISTUNGEN, DIE JEDLICHE GARANTIE ODER MARKTFÄHIGKEIT ODER EIGNUNG ZU BESONDEREN ZWECKEN EINSCHLIESSEN, AUSDRÜCKLICH AUSGESCHLOSSEN. DIE OBEN GENANNTE GARANTIEERKLÄRUNGEN GELTEN EXKLUSIV UND ANSTELLE JEDLICHER SONSTIGEN MÖGLICHEN WIEDERGUTMACHUNGEN.

# OASIS DP - Аппараты обратного осмоса

## РУКОВОДСТВО ПО УСТАНОВКЕ, ЭКСПЛУАТАЦИИ И ТЕХОБСЛУЖИВАНИЮ

RU

Уважаемый Клиент, благодарим за выбор данного изделия компании Atlas Filtri.

### 1. ОБЩАЯ ИНФОРМАЦИЯ

Указания данного руководства применяются к моделям:

OASIS DP STD  
OASIS DP PUMP  
OASIS DP UV  
OASIS DP PUMP-UV  
OASIS DP-F PUMP  
OASIS DP-F PUMP-UV



OASIS DP SANIC STD  
OASIS DP SANIC PUMP  
OASIS DP SANIC UV  
OASIS DP SANIC PUMP-UV  
OASIS DP-F SANIC PUMP  
OASIS DP-F SANIC PUMP-UV

OASIS DP - аппаратура, предназначенная для очистки питьевой воды, которая может изменять ее органолептические и химические характеристики, снижает содержание в ней солей, одновременно гарантируя микробиологическую надежность. Правильная эксплуатация и обслуживание позволяют уменьшить количество таких наиболее загрязняющих веществ как инсектициды, пестициды, удобрения, опасные органические вещества, тяжелые металлы, патогенные микроорганизмы.

#### 1.1 ИСПОЛЬЗУЕМЫЕ УСЛОВНЫЕ ОБОЗНАЧЕНИЯ

##### УКАЗАНИЯ ОБЩЕГО ХАРАКТЕРА



Означает предупреждение или примечание, касающееся ключевых функций или полезных сведений. Уделять максимальное внимание текстовым блокам, обозначенным этим условным знаком.



Означает работу по настройке вручную, которая может предусматривать также использование переносного оборудования или инструментов.



Требуется определить измеряемое значение, проверить сигнал, осуществить визуальную проверку.

##### ЗНАКИ ОПАСНОСТИ



Общая опасность с риском для пользователя.



Опасность электрического характера.

##### ЗАПРЕЩАЮЩИЕ ЗНАКИ



Запрет.

#### 1.2 УСЛОВИЯ ЭКСПЛУАТАЦИИ



OASIS DP не является опреснителем. Его нельзя использовать в целях, для которых предназначена питьевая вода, если первоначальная вода не была питьевой или ее качество не известно.



Регулярно проводить периодическое обслуживание с тем, чтобы гарантировать удовлетворение требованиям пригодности для питья обработанной питьевой воды и сохранение заявленных эксплуатационных характеристик.

Использовать только для воды с коэффициентом pH в интервале от 6.5 до 9.5.

Соблюдать ограничения по использованию, указанные на этикетках.

Избегать чрезмерного охлаждения и нагрева: мин. 4°C (39.2°F) - макс. 45°C (113°F).

В случае длительного неиспользования извлечь картриджи и мембраны, а после возобновления использования вставить новые. После техобслуживания дать воде стечь в течение, по крайней мере, 5 минут, прежде чем ее использовать.





По окончании периода эксплуатации аппарата OASIS, соответствующих картриджей, мембран и УФ-ламп, обеспечить утилизацию в соответствии с действующими нормами местного законодательства.

## 2. УСТАНОВКА

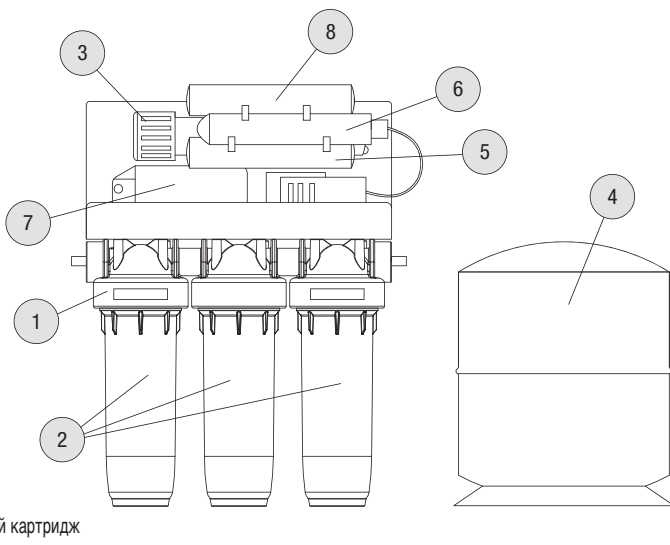
### 2.1 Предисловие



Работы по монтажу и установке должны осуществляться квалифицированными лицами в соответствии с действующим местным законодательством. Перед началом любых операций необходимо внимательно прочитать инструкции, содержащиеся в данном руководстве. Необходимо хранить руководство, защищая его от воздействий, которые могут поставить под угрозу его читабельность.

### 2.2 Главные компоненты

- 1 Головка контейнера DP TRIO для фильтрующих картриджей
- 2 Стаканы контейнера DP TRIO для фильтрующих картриджей
- 3 Контейнер RO VESSEL для осмотической мембраны
- 4 Накопительная емкость
- 5 Постфильтр AIC - активированный уголь
- 6 УФ-лампа (модели UV)
- 7 Бустерный насос (модели PUMP)
- 8 Постфильтр AIM - реминерализующий картридж



### 2.3 Схема соединений (рис. 1 и рис. 2)



Процент растворенных солей и других непропущенных элементов зависит от качества воды, температуры, давления и общего количества растворенных солей и отличается в зависимости от типов солей или элементов.

Очистка сильно мутной воды или сильно загрязненной воды может вызвать засорение фильтров предварительной очистки и/или мембран с последующей потерей расхода воды.



Не могут очищаться сточные воды, морская вода или воды, которые находятся в таком химическом, физическом и бактериологическом состоянии, которое не соответствует практической возможности осуществления очистки путем обратного осмоса (промышленные сточные воды или сточные воды после химических обработок).



Лампы с ультрафиолетовыми лучами опасны для глаз, необходимо избегать их прямого воздействия.

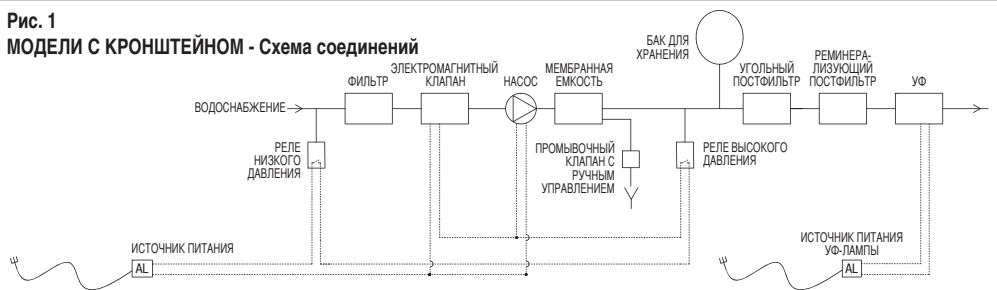
### 2.4 Технические характеристики (таб. А)



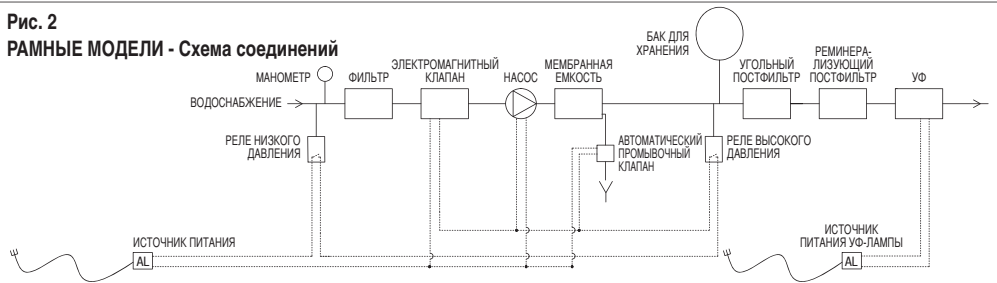
Эксплуатация изделия в рабочих условиях, отличных от указанных в ТЕХНИЧЕСКИХ ХАРАКТЕРИСТИКАХ, считается ИСПОЛЬЗОВАНИЕМ НЕ ПО НАЗНАЧЕНИЮ.

Изготовитель не несет ответственности за возможный ущерб, причиненный использованием не по назначению оборудования, несоблюдением указаний данного руководства, ремонтными работами, осуществленными не имеющим профессиональной квалификации персоналом, или вытекающими из модификаций или которые могут исказить первоначальную работу аппарата.

**Рис. 1**  
**МОДЕЛИ С КРОНШТЕЙНОМ - Схема соединений**



**Рис. 2**  
**РАМНЫЕ МОДЕЛИ - Схема соединений**



**Таб. А**

		Модель				
Техническая характеристика		Единица измерения	Стандарт	UV	PUMP	PUMP UV
Макс. размеры модели с кронштейном		mm	580x370x150	580x370x150	580x370x150	580x370x150
Макс. размеры рамные модели (высота x ширина x глубина)		mm			510x380x200	510x380x200
Размеры металлического бака		mm	280x345	280x345	280x345	280x345
Размеры пластикового бака (диаметр x высота)		mm	284x400	284x400	284x400	284x400
Вес		kg	5	5,5	7	7,5
Макс. ежедневная производительность 50 GPD		l	190	190	190	190
Макс. ежедневная производительность 100 GPD		l	380	380	380	380
Процент рекуперации		%	20	20	20	20
Степень обессоливания		%	90	90	95	95
Степень удаления бактерий		%	> 98	> 98	> 98	> 98
Подаваемая вода	Макс. уровень TDS питающей воды	mg/l (ppm)	1000	1000	1000	1000
	Макс. температура питающей воды	°C	30	30	30	30
	Мин. расход питающей воды	l/h	100	100	100	100
	Мин. давление питающей воды	bar	3	3	1	1
	Макс. давление питающей воды	bar	8	8	3	3
UV	Электропитание			Однофазное + Земля		Однофазное + Земля
	Номинальное напряжение	V		220/230		220/230
	Частота	Hz		50/60		50/60
	Потребляемый ток	A		0,1 - 0,12A		0,1 - 0,12A
	Мощность	W		6V		6V
Насос	Тип питания				Постоянный ток	Постоянный ток
	Номинальное напряжение	V			24	24
	Напор	psi			116	116

## 2.5 Установка изделия



Перед установкой проверить, чтобы гидравлическая система была выполнена в соответствии с современным уровнем развития науки и техники.

Установить перепускной клапан, который позволит исключить работу аппарата.

Установить невозвратный клапан от аппарата к водопроводной сети.

В случае, если давление в сети превысит 8 бар (116 фунт-сила на квадратный дюйм), должен быть установлен редуктор давления на входе изделия. Защищать изделие от возможных "гидравлических ударов" с помощью надлежащей системы защиты от гидравлического удара (расширительные бачки, амортизаторы).

В случае давления в сети ниже 3 бар установить модели с насосом (PUMP, PUMP-UV).



Наличие и эффективность заземления питающей линии.

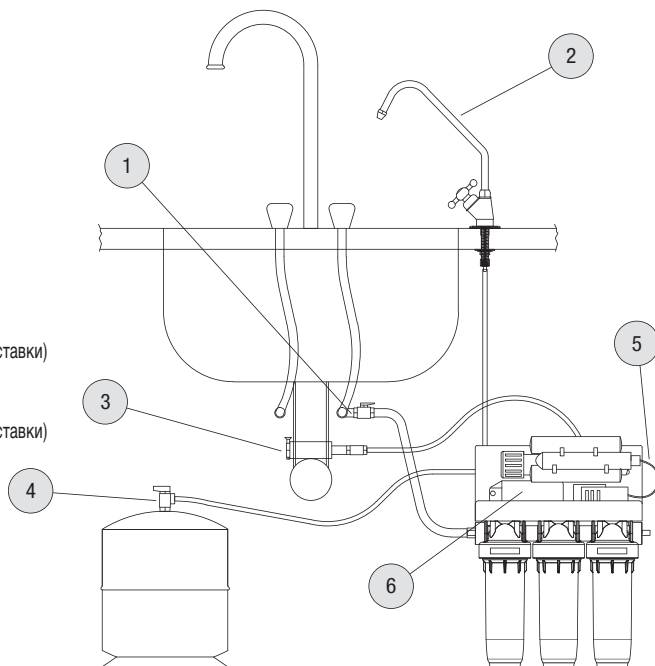
Совместимость питающей линии с электрическими характеристиками трансформатора бустерного насоса (для моделей PUMP) и УФ-лампы (для моделей UV).

Электрические кабели контура питания диаметром больше 1 мм.

Стабильность напряжения сети (перепады напряжения меньше 10%).

### СХЕМА УСТАНОВКИ

- 1 Водозаборник
- 2 Кран очищенной воды
- 3 Сливной хомут
- 4 Кран бака
- 5 Питание УФ-лампы (не входит в стандартный комплект поставки)
- 6 Бустерный насос (не входит в стандартный комплект поставки)



### 2.5.1 Типовая установка с водозаборником диаметром 1/2" наружная-внутренняя резьба



Вывинтить зажимное кольцо шланга холодной воды из настенного соединения.

С помощью герметичной ленты (ПТФЭ) установить водозаборник диаметром 1/2" наружная-внутренняя резьба с краном диаметром 1/4".

Установить ранее отсоединенный шланг на наружную резьбу водозаборника.

Подсоединить трубу диаметром 1/4" системы OASIS к водозаборнику.



## 2.5.2 Установка сливного хомута



Установить сливной хомут на сливной сифон раковины.

Проверить, чтобы уплотнение надлежащим образом легло на трубу и чтобы болты были туго затянуты.

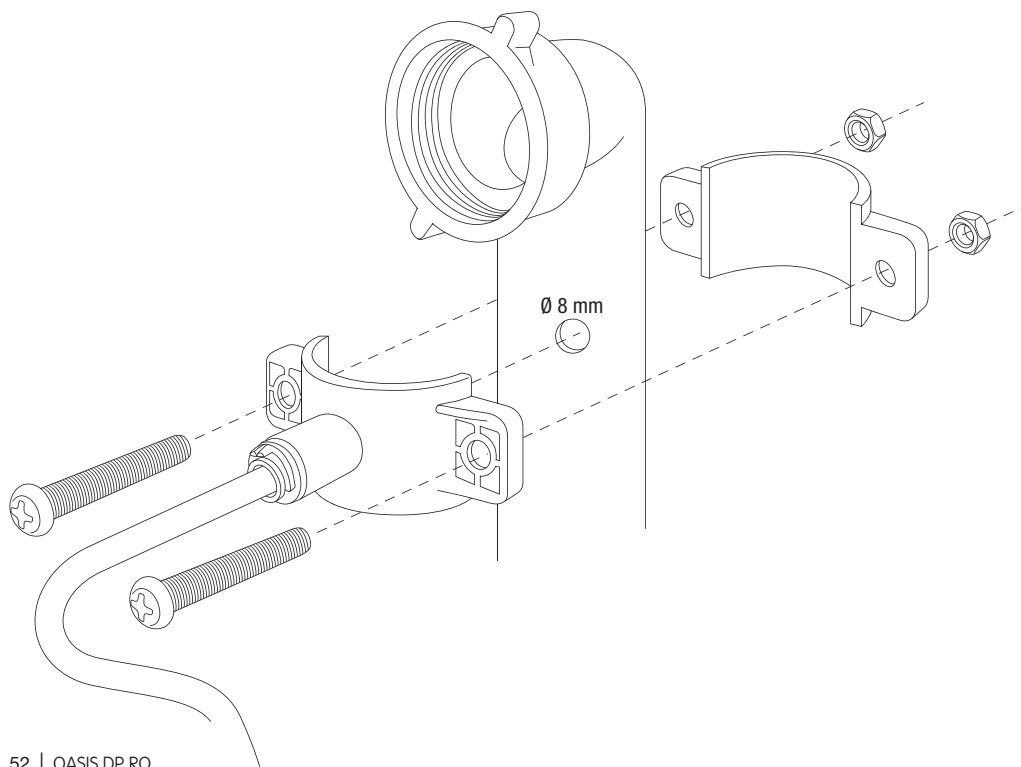
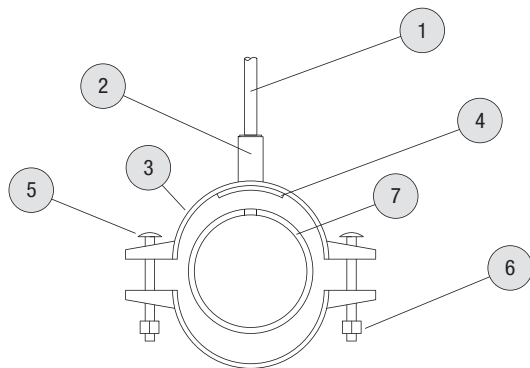
Развинтить крепежную гайку сточной трубы.

С помощью дрели со сверлом 6 мм просверлить отверстие в трубе сливного сифона, рядом только что развинченной гайкой.

Вставить сточную трубу в гайку примерно на 2 см и привинтить крепежную гайку к хомуту.

Туго затянуть крепежную гайку и установить невозвратный клапан со стрелкой, повернутой к хомуту, как можно ближе к сливу.

- 1 Сточная труба
- 2 Быстроразъемное крепление
- 3 Сливной хомут
- 4 Уплотнение
- 5 Болт
- 6 Крепежная гайка болта
- 7 Труба сливного сифона раковины



### 2.5.3 Установка накопительного бака



Установить бак недалеко от аппарата.

Ослабить крепежную гайку, расположенную на шаровом клапане бака.

Вставить соединительную трубу бака диаметром 1/4" и крепко затянуть крепежную гайку.

Подсоединить трубу диаметром 1/4" к аппарату.

### 2.5.4 Установка специально предназначенного крана



С помощью дрели проделать отверстие диаметром 12 мм в основании раковины (№ 6), удалить, если есть, заусенцы с помощью круглого напильника.

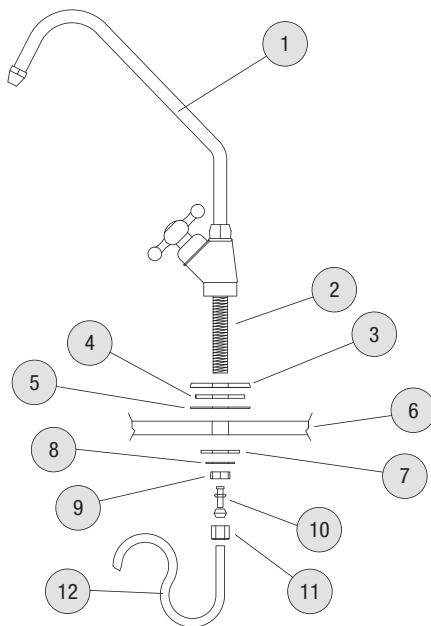
Установить уплотнитель (№ 5), прокладку (№ 4) и хромированное основание (№ 3) на отверстие, затем вставить нарезной стержень крана (№ 2).

На нижней стороне в следующей последовательности вставить: уплотнение (№ 7), упругую шайбу (№ 8) и закрутить крепежную гайку (№ 9).

Вставить трубу (№ 12) в концевую гайку (№ 11) и в пластмассовый наконечник (№ 10).

Затянуть концевую гайку (№ 11) на нарезном стержне крана (№ 2).

- 1 Кран
- 2 Нарезной стержень крана
- 3 Хромированное основание
- 4 Прокладка
- 5 Уплотнение
- 6 Основание раковины
- 7 Уплотнение
- 8 Упругая шайба
- 9 Крепежная гайка
- 10 Пластмассовый наконечник
- 11 Концевая гайка
- 12 Трубопровод диаметром 1/4" для пермеата



### 2.5.5 Установка УФ-лампы, мембраны и фильтрующих картриджей



Во избежание возможных повреждений при транспортировке УФ-лампа обычно упаковывается отдельно; вставить лампу, поставленную в упаковке.

Для установки лампы смотреть раздел 3.1: "Замена УФ-лампы".

Для установки мембраны смотреть параграф 3.2: "Замена мембраны".

Для установки фильтрующих картриджей смотреть параграф 3.3: "Замена фильтрующих картриджей".

**ВНИМАНИЕ:** использование нефирменных картриджей делает гарантию недействительной.

## 2.6 Пуск



Осмотическая мембрана OASIS DP поставляется смоченной в сохраняющем ее растворе. Прежде чем использовать воду, нужно подождать 10-15 минут, пока он стечет, открыв для этого специальный кран.

Категорически избегать обезвоживания мембраны, неосторожно открыв упаковку. Установить мембрану сразу после того, как упаковка была открыта.

В случае моделей UV, PUMP и PUMP UV никогда нельзя отключать электрическое соединение, оставляя блок постоянно включенным.

В модели с УФ-лампой первая вода, вытекающая при открытии крана, может быть горячей. Необходимо дать воде стечь в течение нескольких секунд, прежде чем ее использовать.



Никогда не выключать УФ-стерилизатор; если он был выключен, подождать по крайней мере 30 минут, прежде чем его снова включить.

## 3. ПЛАНОВОЕ ТЕХНИЧЕСКОЕ ОБСЛУЖИВАНИЕ



Перед выполнением каких-либо работ по плановому техобслуживанию убедитесь, что штепсельная вилка вынута из розетки.

Плановое техобслуживание касается только замены расходимых компонентов.

Рекомендуется проводить плановое техобслуживание по крайней мере один раз в 3 месяца.

ПОДЛЕЖАЩИЙ ПРОВЕРКЕ КОМПОНЕНТ	ПРОВЕРКА	ПЕРИОДИЧНОСТЬ
Аппарат	Визуальная проверка целостности и сохранности Общая очистка Функциональная проверка	3-6 МЕСЯЦЕВ (*)
Фильтрующие картриджи	Замена	3-6 МЕСЯЦЕВ (*)
Постфильтры AIC и AIM	Замена	3 месяца (*)
УФ-лампа	Замена	8.000 часов (*)
Мембрана обратного осмоса	Замена	3 года

(\*) Особое состояние воды может потребовать более частого проведения техобслуживания.



К электрическому аппарату моделей PUMP, UV и PUMP-UV подается питание от электросети с напряжением 220 В - 50/60 Гц. Перед выполнением техобслуживания убедитесь, что штепсельная вилка вынута из розетки.



Для очистки аппарата нельзя использовать коррозионные средства, кислоты, стальные губки или щетки. Нельзя мыть аппарат с помощью прямых водных струй или под высоким давлением.

### 3.1 Замена УФ-лампы

Аппарат оборудован гермицидной УФ-лампой, полезный срок службы которой составляет 8.000 часов.



Лампы с ультрафиолетовыми лучами опасны для глаз, необходимо избегать их прямого воздействия.



Снять резиновую крышку.

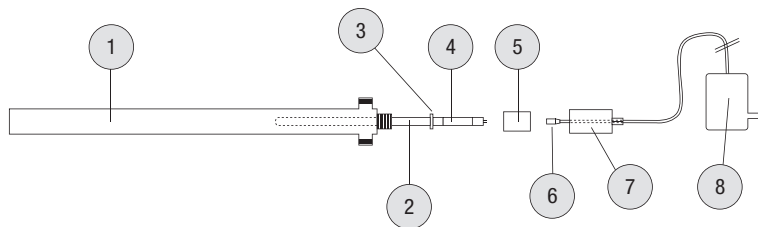
Аккуратно снять отработавшую УФ-лампу с кварцевой трубки.

Отсоединить верхний разъем и оконечный кабель лампы.

Заменить лампу и снова установить ее на место.

Подключить штепсель шнура питания.

- 1 Корпус стерилизатора
- 2 Кварцевая трубка
- 3 Уплотнения
- 4 УФ-лампа
- 5 Устройство, блокирующее кожу
- 6 Оконечный кабель
- 7 Крышка контактов
- 8 Трансформатор



### 3.2 Замена осмотической мембраны



Слить воду из крана над раковиной, чтобы снять давление в контуре.

Отсоединить соединительную трубу на торцевой части VESSEL.

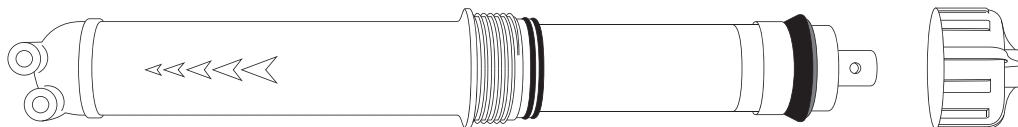
Развинтить торцевую часть VESSEL.

С помощью клещей снять мембрану.

Вставить новую мембрану.

Снова завинтить торцевую часть VESSEL.

Вставить соединительные трубы.



### 3.3 Замена фильтрующих картриджей

Фирменные картриджи имеются в наличии в двух практических и удобных КОМПЛЕКТАХ.

Для моделей OASIS DP - **КОМПЛЕКТ Картриджей OASIS DP -**

1. СЕДИМЕНТАЦИОННЫЙ - полипропиленовый фильтр, сделанный фильерно-раздувным способом, 5 мкм
2. Удаляющий вкус и запах хлора, с гранулированным активированным углем
3. ЛОВ - Угольный блок 5 микрон для сокращения летучих органических веществ

Для моделей OASIS DP SANIC - **КОМПЛЕКТ Картриджей OASIS DP SANIC -**

1. СЕДИМЕНТАЦИОННЫЙ - фильтр SANIC, изготовленный методом намотки нитки, 5 мкм
2. СЕДИМЕНТАЦИОННЫЙ - полипропиленовый фильтр SANIC, сделанный фильерно-раздувным способом, 5 мкм
3. ЛОВ - Угольный блок 5 микрон для сокращения летучих органических веществ

Средний срок службы фильтрующего картриджа варьирует в зависимости от эксплуатации, условий окружающей среды, давления и т.д. В целом, изменение вкуса, запаха или цвета воды указывает на то, что картридж должен быть заменен.

- A. Перед тем, как открыть контейнер, необходимо закрыть главный кран и установить под системой емкость для сбора воды, если она будет вытекать во время снятия картриджа.
- B. Стравить давление из изделия, открыв кран на выходе.
- C. Открыть контейнер, вывинтив стакан из головки.
- D. Извлечь использованный картридж.
- E. Аккуратно помыть стакан холодной водой с мягкой губкой.
- F. Снять защитную пленку с нового картриджа.
- G. Вставить новый картридж в стакан.
- H. Смазать уплотняющее кольцо круглого сечения с помощью смазочного материала, входящего в упаковку (Lubrikit). Если уплотняющее кольцо круглого сечения повреждено, необходимо заменить его на новое (уплотняющие кольца круглого сечения входят в упаковку), а затем смазать с помощью Lubrikit.
- I. Ввинтить стакан в головку и крепко затянуть ключом, не прилагая избыточного усилия при затяжке. Если ключ не входит в упаковку, необходимо его купить отдельно.
- J. Медленно открыть главный кран воды.
- K. Перед использованием дать воде стечь в течение 5 минут из крана, находящегося на выходе изделия. Эта операция позволяет также выпустить воздух из изделия.



Использование нефирменных картриджа делает гарантию недействительной.

### 3.4 Замена постфильтра АИС - активированный уголь



Снять синие предохранительные кольца с быстрых коннекторов постфильтра (вход и выход).

Нажать на расцепляющее кольцо быстрых коннекторов, чтобы снять входные и выходные трубы.

Извлечь использованный постфильтр из хомута и заменить его на новый постфильтр АИС (использовать только фирменные запчасти, в противном случае гарантия утратит свою силу).

Сцепить трубы с впускными и выпускными патрубками, проверяя, чтобы трубы были заблокированы в быстром коннекторе.

Снова вставить предохранительные кольца в быстрые коннекторы.

### 3.5 Замена постфильтра АИМ - реминерализующий картридж

Повторить операции по замене в соответствии с процедурами, указанными в пункте 3.4.

## 4. ВНЕПЛАНОВОЕ ТЕХНИЧЕСКОЕ ОБСЛУЖИВАНИЕ



Внеплановое техническое обслуживание (работы по ремонту и/или замене непотребляемых компонентов) должно осуществляться квалифицированным персоналом поставщика или имеющих разрешение дистрибьюторов, в противном случае гарантия утратит свою силу.

**ДАТА**

**ТИП РАБОТЫ**



## УКАЗАНИЯ ПО УСТРАНЕНИЮ НЕИСПРАВНОСТЕЙ

Аппараты OASIS DP были изготовлены с соблюдением самых строгих проверок качества и подвергались жестким испытаниям на эффективность и прочность. В результате был выявлен ряд неисправностей, которые могут возникнуть по причине неправильной установки, технического обслуживания, небрежного или не предусмотренного производителем использования, или из-за износа фильтра и его частей.

### Проблема: Из аппарата не вытекает вода.

Причина	Решение
Входной кран закрыт.	Открыть входной кран.
Недостаточное давление на входе.	Проверить, чтобы давление водопроводной сети подачи воды не было ниже 3 бар (43.5 фунт-сила на квадратный дюйм) в моделях без насоса и 0,5 бар (7.2 фунт-сила на квадратный дюйм) в моделях с насосом.
Фильтры засорены.	Проверить состояние фильтрующих картриджей; если они засорены - заменить их.
Отсекающий клапан поврежден.	Заменить отсекающий клапан (см. раздел 4 "Внеплановое техническое обслуживание").
Мембрана засорена.	Заменить мембрану.
Бустерный насос поврежден.	Заменить насос (см. раздел 4 "Внеплановое техническое обслуживание").

### Проблема: Из аппарата постоянно выливается вода.

Причина	Решение
Утечка в гидравлическом контуре.	Проверить трубы и фитинги, чтобы найти утечку.
Отсекающий клапан поврежден.	Заменить отсекающий клапан (см. раздел 4 "Внеплановое техническое обслуживание").

### Проблема: Вытекающая вода имеет неприятный вкус.

Причина	Решение
Ресурс постфильтра AIC с активированным углем израсходован.	Заменить постфильтр AIC.
Накопительная емкость бактериологически загрязнена.	Заменить накопительную емкость (см. раздел 4 "Внеплановое техническое обслуживание").
Мембрана RO повреждена.	Заменить мембрану.
УФ-лампа повреждена.	Заменить УФ-лампу.

### Проблема: При открытии крана бустерный насос не начинает работать

Причина	Решение
Отсутствие электропитания.	Убедиться, что штепсельная вилка вставлена в розетку и что есть ток.
Насос сгорел.	Заменить насос (см. раздел 4 "Внеплановое техническое обслуживание").
Ошибочная кабельная проводка.	Проверить кабельную проводку насоса и реле максимального давления по схеме 2.3 (см. раздел 4 "Внеплановое техническое обслуживание").
Сгорел источник питания насоса.	Заменить источник питания насоса (см. раздел 4 "Внеплановое техническое обслуживание").

### Проблема: При закрытом кране происходит запуск бустерного насоса на несколько секунд.

Причина	Решение
Утечка в гидравлическом контуре.	Проверить гидравлический контур до разборного крана в поисках утечек.

## ОГРАНИЧЕННАЯ ГАРАНТИЯ

Эта гарантия предложена компанией Atlas Filtri S.r.l. - Via del Santo, 227 - 35010 Limena (ITALIA); выступающей в поставщика готового изделия.

A) Ограниченная гарантия: Atlas Filtri S.r.l. в течение 12 месяцев со дня покупки изделия гарантирует, что ни у одного нового изделия, в обычных условиях эксплуатации и обслуживания, нет дефектов материалов или производственного брака, со ссылкой на следующие исключения и ограничения:

B) Исключения - Гарантия, предложенная компанией Atlas Filtri S.r.l., не распространяется на следующие случаи:

- (i) износ картриджей и любого компонента как часть нормальной работы, включая без ограничений также и уплотнители.
- (ii) Установка, самовольное изменение характеристик, модификации, отсутствие или ошибочность обслуживания, обслуживание, осуществленное не в соответствии с руководством к этому изделию или осуществленное неквалифицированным персоналом.
- (iii) Установка и/или применение нефирменных частей и других компонентов.
- (iv) Установка изделия в неподходящих помещениях и/или в условиях, не предусмотренных в руководстве.

C) Ограничения - Ответственность компании Atlas Filtri S.r.l. по этой ограниченной гарантии сводится только к замене изделия, которое было признано дефектным имеющим разрешение поставщиком в его обычном месте деятельности во время нормальных рабочих часов, исключая расходы на пересылку, установку и другие расходы на ремонт. Дефекты и/или задержки в выполнении не дают права на компенсации или расширение гарантии. ATLAS FILTRI S.r.l. НЕ СЕТ ОТВЕТСТВЕННОСТЬ ДО МАКСИМУМА, ПРЕДУСМОТРЕННОГО ПРИМЕНЯЕМЫМ ЗАКОНОДАТЕЛЬСТВОМ, И НЕ БУДЕТ НЕСТИ ОТВЕТСТВЕННОСТЬ НИ ЗА КАКИЕ ДРУГИЕ РАСХОДЫ, ПОТЕРИ ИЛИ УЩЕРБ, ТАМ, ГДЕ ПРЯМЫЕ, СЛУЧАЙНЫЕ УБЫТКИ, УБЫТКИ, ПРИСУЖДАЕМЫЕ В ПОРЯДКЕ НАКАЗАНИЯ, КОСВЕННЫЕ УБЫТКИ ИЛИ УБЫТКИ, ПРИСУЖДАЕМЫЕ В ПОКАЗАТЕЛЬНОМ ПОРЯДКЕ, ВОЗНИКЛИ В СВЯЗИ С ПРОДАЖЕЙ, ЭКСПЛУАТАЦИЕЙ ИЛИ НЕВОЗМОЖНОСТЬЮ ИСПОЛЬЗОВАТЬ ИЗДЕЛИЕ В ЛЮБЫХ ЦЕЛЯХ И ДЛЯ ЛЮБОГО НАЗНАЧЕНИЯ. Эта ограниченная гарантия представляет собой единственное предложенное средство и единственную ответственность Atlas Filtri S.r.l., как по гарантии, договору или по причинам небрежности, за фактические или подозреваемые дефекты в условиях работы изделий Atlas Filtri S.r.l. ЗА ИСКЛЮЧЕНИЕМ СПЕЦИАЛЬНО УКАЗАННЫХ ЗДЕСЬ ПОЛОЖЕНИЙ, ЛЮБАЯ ГАРАНТИЯ, ПРЕДУСМОТРЕННАЯ ЗАКОНОДАТЕЛЬСТВОМ, ВКЛЮЧАЯ ЛЮБУЮ ГАРАНТИЮ, ТОВАРНОСТЬ ИЛИ ПРИГОДНОСТЬ ДЛЯ ОСОБЫХ ЦЕЛЕЙ, В ЯВНО ВЫРАЖЕННОЙ ФОРМЕ ИСКЛЮЧАЕТСЯ. ВЫШЕПРИВЕДЕННЫЕ ГАРАНТИЙНЫЕ ЗАЯВЛЕНИЯ ЯВЛЯЮТСЯ ИСКЛЮЧИТЕЛЬНЫМИ И ЗАМЕНЯЮТ СОБОЙ ЛЮБОЕ ДРУГОЕ ВОЗМОЖНОЕ СРЕДСТВО.

هذا الضمان مقدم من قبل شركة Atlas Filtri S.r.l. - Via del Santo, ٢٢٧ - ٣٥٠١٠ Limena (ITALIA)، باعتبارها المورد للمنتج النهائي. (أ) الضمان المحدود تضمن Atlas Filtri S.r.l. لمدة ١٢ شهرا من تاريخ شراء المنتج أن كل منتج خال من العيوب في الخامة والصنع في ظروف الاستخدام والصيانة العاديين، مع الإشارة إلى الاستثناءات والقيود التالية:

(ب) استثناءات - الضمان الذي تقدمه Atlas Filtri S.r.l. لا ينطبق في الحالات التالية:

(١) التهاك وفساد الخراطيش كجزء من التشغيل العادي بما في ذلك حشوات الغزل بلا قيود.

(٢) تركيب أو العبث في، أو تعديل، أو غياب أو عدم صحة الصيانة، أو صيانة تمت بالمخالفة لدليل تعليمات المنتج أو يقوم بها أفراد غير مؤهلين.

(٣) تركيب و / أو استخدام مكونات غير أصلية وغيرها من العناصر.

(٤) تركيب المنتج في بيئات غير لائقة و / أو في حالات لا يشملها دليل التعليمات.

(ج) القيود - إن مسؤولية Atlas Filtri S.r.l. في هذا الضمان المحدود تقتصر فقط على استبدال المنتج الذي يعتمد الموزع المعتمد أنه معيب في المكان الطبيعي لتشغيله خلال ساعات العمل العادية، باستثناء تكاليف الشحن والتركيب، وأية تكاليف إصلاح أخرى. العيوب و / أو التأخير في التنفيذ لا تعطي الحق في تمديد الضمان أو الحصول على تعويضات. إلى الحد الأقصى الذي تسمح به القوانين المعمول بها، لن تكون "ATLAS FILTRI S.r.l." مسؤولة عن أي نفقات أخرى نفقة أو خسارة أو ضرر، إذا نشأت مباشرة أو عرضية أو عقابية أو لاحقة أو على سبيل المثال، قد تنشأ بسبب البيع أو الاستخدام أو استحالة استخدام المنتج لأي غرض أو استغلال. يمثل هذا الضمان المحدود العلاج الوحيد المقدم من Atlas Filtri S.r.l. والمسؤولية الوحيدة عليها، سواء على سبيل الضمان، أو العقد أو إهمال الأسباب، فيما يتعلق بالعيوب الفعلية أو المشتبه فيها في ظروف التشغيل الخاصة بمنتجات Atlas Filtri S.r.l. وباستثناء ما عرض هنا تحديدا فإن أي ضمان يفرضه القانون بما في ذلك كل ضمان أو صلاحية التجارة أو مناسبة المنتج للاستخدامات الخاصة مستبعد صراحة. البيانات المذكورة أعلاه عن الضمانات حصرية وتحل محل أي علاج آخر محتمل.

## دليل استكشاف الأخطاء وإصلاحها

يتم تصنيع الأجهزة OASIS DP باتتباع ضوابط الجودة الأكثر صرامة مع اختبار شامل لتحقيق الكفاءة والقدرة على التحمل. فيما يلي عدد من المشكلات التي قد تحدث بسبب عيوب في تركيب أو صيانة أو استخدام مختلف عن المشار إليه، أو ربما وقعت أثناء الاستخدام غير الحريص، أو بسبب تهالك الفلتر أو أحد أجزائه.

المشكلة: الجهاز لا يخرج مياه.	
السبب	الحل
صنبور المدخل مغلق.	افتح صنبور الدخول.
ضغط الإدخال غير كاف.	تحقق من أن ضغط شبكة مياه التغذية ليس منخفضا. عن ٣ بار (٤٣.٥ باسكال) في الموديلات بدون المضخة وعن ٠.٥ بار (٧.٢ باسكال) في الموديلات بالمضخة
الفلتر مسدود.	تحقق من حالة خرطيش الفلتر. وإذا كانت مسدودة، بدلها.
صمام الإيقاف معطوب.	استبدل صمام الإغلاق (انظر القسم ٤ الخاص بالصيانة غير العادية).
الغشاء به انسداد.	استبدل الغشاء.
معزز المضخة معطوب.	استبدل المضخة (انظر القسم ٤ الخاص بالصيانة).

المشكلة: الوحدة تقوم بصرف المياه باستمرار.	
السبب	الحل
تسرب في الدائرة الهيدروليكية.	راجع الخرطوم والوصلات للتحقق من وجود تسرب.
صمام الإيقاف معطوب.	استبدل صمام الإغلاق (انظر القسم ٤ الخاص بالصيانة غير العادية).

المشكلة: المياه الناتجة لها طعم كريه.	
السبب	الحل
معقب مرشح الكربون المنشط AIC نفذ	استبدل معقب فلتر AIC.
وعاء التخزين ملوث بالكثيريا.	استبدل وعاء التخزين (انظر القسم ٤ الخاص بالصيانة غير العادية).
غشاء RO معطوب.	استبدل الغشاء.
مصباح الأشعة فوق البنفسجية معطوب.	استبدل مصباح الأشعة فوق البنفسجية.

المشكلة: عند فتح الصنبور، لا يعمل معزز المضخة	
السبب	الحل
انقطاع التغذية الكهربائية.	تأكد من إدخال القابس وأن هناك تيار كهربائي.
المضخة محروقة.	استبدل المضخة (انظر القسم ٤ الخاص بالصيانة).
تركيب الأسلاك غير صحيح.	تحقق من أسلاك المضخة ومفتاح الضغط حسب مخطط ٢.٣.
محول تغذية المضخة بالتيار محترق.	(انظر القسم ٤ الخاص بالصيانة غير العادية). استبدل أداة تغذية المضخة (انظر القسم ٤ الخاص بالصيانة غير العادية).

المشكلة: والصنبور مغلق تتم إعادة تشغيل معزز المخضبة لوضع ثوان.	
السبب	الحل
تسرب في الدائرة الهيدروليكية.	راجع الدائرة الهيدروليكية حتى الصنبور للكشف عن التسريب.

متوسط عمر خرطوشة فلتر يختلف تبعاً للاستخدام، والظروف البيئية، والضغط، الخ. وبشكل عام، فإن التغيير في الطعم والرائحة أو اللون في المياه يشير إلى أن الخرطوشة يجب استبدالها.

أ. قبل فتح الحاوية أغلق صنوبر الماء الرئيسي وضع وعاء تحت النظام لجمع الماء الذي يخرج عند إزالة الخرطوشة.

ب. أزل الضغط من المنتج عن طريق فتح الصنوبر المركب في أوله.

ج. افتح الحاوية عن طريق إزالة الكوب من الرأس.

د. قم بإزالة الخرطوشة المستخدمة.

هـ. امسح برفق الزجاج بالماء البارد واسفجة ناعمة.

و. أزل الغشاء الواقي للخرطوشة الجديدة.

ز. أدخل خرطوشة جديدة في الكوب.

ح. قم بتشحيم الحلقة المستديرة بزيت التشحيم الوارد في العبوة (Lubrikit). في حالة تلف الحلقة المستديرة، استبدلها بحلقة جديدة (الحلقات المستديرة واردة في العبوة) ثم

شحمها زيت التشحيم Lubrikit.

ط. أربط الكوب في الرأس وأحكم الربط بمفك، ولا تتبالغ في إحكام الربط. إذا لم يتم تضمين المفك في العبوة يجب شراؤه بشكل منفصل.

ك. افتح ببضء صنوبر الماء الرئيسي.

ل. اترك المياه تتدفق لمدة ٥ دقائق من صنوبر البدء في المنتج قبل الاستخدام. تسمح هذه العملية بتفريغ الهواء من المنتج.

استخدام خرطوشة أخرى مختلفة عن الأصلية يبطل الضمان.

#### ٣.٤ استبدال معقب مرشح - AIC كربون نشط



اسحب حلقات الأمان الزرقاء من المشابك السريعة لمعقب الفلتر (المدخلات والمخرجات).

اضغط على حلقة تحرير المشابك السريعة لتخرج أنابيب المدخلات والمخرجات.

اسحب معقب الفلتر من السداة واستبدله بمعقب فلتر AIC جديد (استخدم قطع الغيار الأصلية فقط، وإلا سقط الضمان).

قم بتوصيل الأنابيب بتوصيلات المدخل والمخرج، مع التأكد من تأمين الأنابيب في المشابك السريعة.

أعد تركيب حلقات الأمان في المشابك السريعة.

#### ٣.٥ استبدال معقب مرشح - AIM خرطوشة إعادة إضافة أملاح معدنية

قم بتنفيذ عمليات الاستبدال وفقاً للإجراءات المحددة في الفقرة ٣.٤.

#### ٤ - الصيانة غير العادية

يجب أن تتم صيانة (إصلاح / أو استبدال الأجزاء غير القابلة للاستهلاك) من قبل أشخاص مؤهلين من المورد والموزعين المعتمدين، وإلا فقدت الضمان.

نوع التدخل

التاريخ

١ الجسم المزيل للبكتريا

٢ أنبوب الكوارتز

٣ أطواق العزل

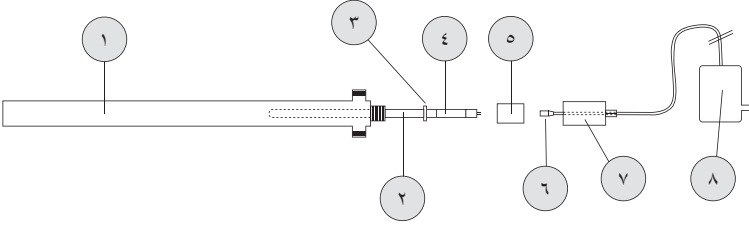
٤ مصباح الأشعة فوق  
البنفسجية

٥ أداة وقف حركة الغمد

٦ كابل طرفي

٧ سداة تغطي نقطة التوصيل

٨ محول



### ٣.٢ استبدال الغشاء التناضحي

دع المياه تجري من الصنبور فوق الحوض لإزالة الضغط من الدائرة.



افصل انبوب توصيل رأس ال RO VESSEL

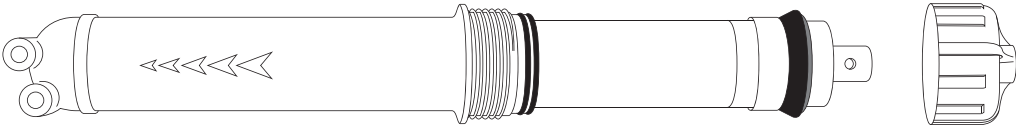
فك برغي رأس ال RO VESSEL

باستخدام كمشاة، أزل الغشاء.

أدخل الغشاء الجديد.

أعد ربط برغي رأس ال RO VESSEL

قم بإدراج أنابيب الربط.



### ٣.٣ استبدال خراطيش الترشيح .

الخراطيش الأصلية متاحة بطاقمين عمليين مناسبين.

لموديلات - OASIS DP خراطيش OASIS DP

١. الترسيبات - PP فلتز اللصق الانصهاري ٥ ميكرون

٢. CTO كلورين - مذاق - رائحة كربون G.A.C.

٣. VOC - كتلة كربون من ٥ ميكرون لتخفيض المكونات العضوية المتناثرة أو الطائفة.

لموديلات - OASIS DP SANIC خراطيش SANIC OASIS DP-

١. الترسيبات - فلتز SANIC بالأوتار الملتفة ٥ ميكرون

٢. الترسيبات - PP فلتز SANIC اللصق الانصهاري ٥ ميكرون.

٣. VOC - كتلة كربون من ٥ ميكرون لتخفيض المكونات العضوية المتناثرة أو الطائفة.

يتم تزويد الغشاء التناضحي OASIS DP منقوع محلول حافظ. قبل استخدام المياه من ضروري تركها تجري لمدة ١٠-١٥ دقيقة على الأقل، بتركها تتدفق من الصنبور المخصص.

تجنب جفاف الغشاء، بالقيام بفتح العبوة دون حرص. قم بتثبيت الغشاء مباشرة بعد فتح العبوة.

لموديلات UV، PUMP و PUMP UV لا تفصل بتاتا التوصيل الكهربائي، مع الحفاظ على الوحدة قيد العمل على الدوام.

في النسخة التي تحتوي على مصباح الأشعة فوق البنفسجية، فإن أول ماء يخرج من الصنبور قد يكون ساخنا. اجعل الماء يتدفق لبلع ثوان قبل استخدامه.

لا تطفئ بتاتا مصباح الأشعة فوق البنفسجية. في حالة انقطاع الكهرباء، انتظر ٣٠ دقيقة على الأقل قبل إعادة التشغيل.



### ٣.١ - الصيانة الدورية

قبل القيام بأي أعمال الصيانة روتينية، تأكد من فصل قابس الطاقة.



تعني الصيانة العادية استبدال المكونات المستهلكة. ننصح بإجراء الصيانة الدورية مرة واحدة على الأقل كل ٣ أشهر.

عنصر يجب التحقق منه	فحص	فترات الفحص
الجهاز	فحص بصري لسلامة المنتج وحالة الحفظ النظافة العامة التحقق الوظيفي	٢-٣ أشهر (*)
الخراطيش المرشحة	استبدال	٢-٣ أشهر (*)
معدبات الفلاتر AIM و AIC	استبدال	٣ شهور (*)
مصباح الأشعة فوق البنفسجية	استبدال	٨,٠٠٠ ساعة (*)
غشاء التناضح العكسي	استبدال	٣ سنوات (*)

(\*) هناك حالات خاصة للمياه يمكنها أن تتطلب فترات صيانة أكثر تقارباً.

التجهيز الكهربائي في موديلات PUMP، UV و PUMP-UV يغذيها تيار كهربائي ٢٢٠ فولط - ٦٠/٥٠ هرتز. قبل القيام بأي أعمال صيانة، تأكد من فصل قابس الطاقة.



لتنظيف الجهاز، لا تستخدم المنظفات الأكلة أو الأحماض، والصوف الصلب أو فرش الصلب. لا تغسل الجهاز بتيارات الماء المباشرة أو المضغوطة ضغطاً عالياً.



### ٣.١ استبدال مصباح الأشعة فوق البنفسجية

وقد تم تجهيز الجهاز بمصباح مبيد للجراثيم بالأشعة فوق البنفسجية، والتي تقدر عمرها التشغيلي بنحو ٨٠٠٠ ساعة.

مصابيح الأشعة فوق البنفسجية خطيرة على العينين، فتجنب التعرض المباشر.



قم بإزالة الغطاء المطاطي.



أزل بحرص مصباح الأشعة فوق البنفسجية المستهلكة من أنبوب الكوارتز.

قم بإزالة الرابط العلوي والكابل الطرفي للمصباح.

استبدل المصباح وأعد تركيبه في مكانه.

قم بتوصيل قابس الكهرباء.



ضع الخزان بالقرب من محيط الجهاز.

قم بتخفيف صامولة التثبيت على صمام الخزان الكروي.

قم بإدراج أنبوب ٤/١ بوصة موصل بالخزان ثم شد ربط الصامولة.

قم بتوصيل أنبوب ٤/١ بوصة إلى الجهاز.

## ٢.٥.٤ تركيب صنبور مخصص



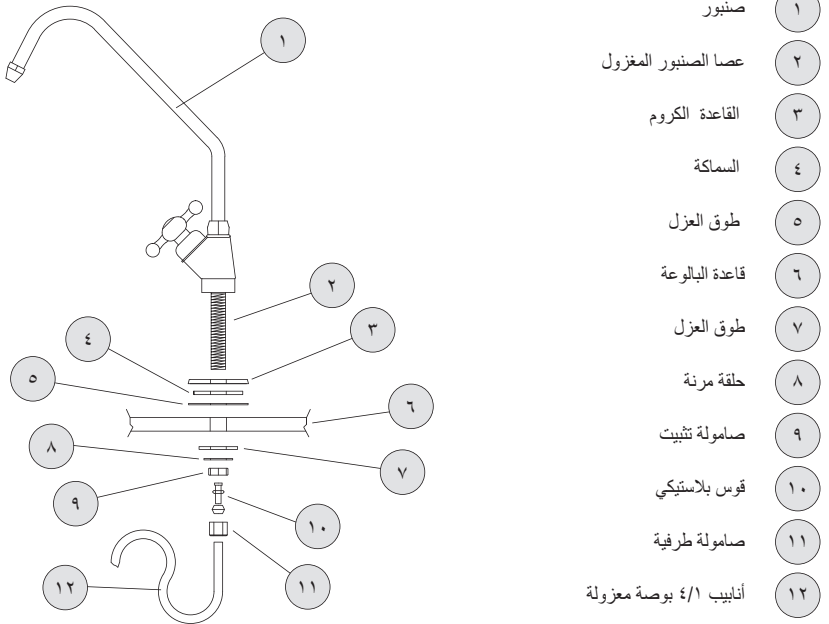
بواسطة منقلب قم بعمل ثقب ١٢ مم على قاعدة البالوعة (رقم ٦)، وأزل أية نتوءات محتملة بواسطة ملف مستدير.

قم بتثبيت حشوة العزل (رقم ٥) والقاعدة الكروم (رقم ٣) على الثقب، ثم أدخل العصا المغزولة للصنبور (رقم ٢).

على الجزء السفلي، أدخل حشوة عزل (رقم ٧) والحلقة المرنة (رقم ٨) واربط صامولة التثبيت (رقم ٩).

قم بإدراج أنبوب (رقم ١٢) في الصامولة الطرفية (رقم ١١) والقوس البلاستيكي (رقم ١٠).

قم بتثبيت ربط الصامولة الطرفية (رقم ١١) على العصا المغزولة للصنبور (رقم ٢).



## ٢.٥.٥ تركيب مصباح الأشعة فوق البنفسجية، والغشاء وخرائطش الترشيح

لمنع الضرر أثناء النقل، عادة ما يتم تركيب مصباح الأشعة فوق البنفسجية على حدة. قم بإدراج المصباح المتوفر مع العبوة.

لتركيب المصباح، انظر القسم ٣.١: "استبدال مصباح الأشعة فوق البنفسجية".

لتركيب الغشاء، انظر القسم ٣.٢: "استبدال الغشاء".

لتركيب خراطيش الترشيح، انظر القسم ٣.٣: "استبدال خراطيش الترشيح".

تحذير: استخدام خراطيش أخرى مختلفة عن الأصلية يبطل الضمان.





قم بتثبيت سدادة التصريف على سيفون صرف الحوض.

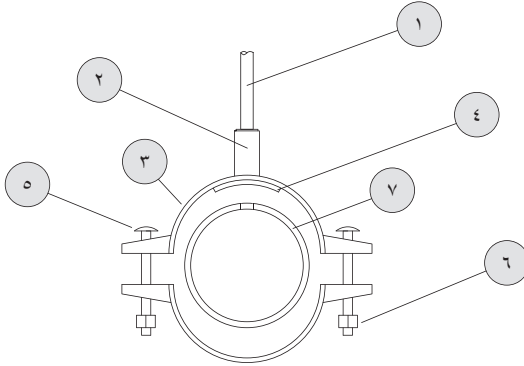
تأكد من أن حشوة العزل تستند بشكل صحيح على الأنابيب وأن البراغي محكمة الغلق.

قم بفك صامولة التثبيت من أنبوب الصرف.

باستخدام مثقاب ٦ مم اصنع ثقباً على أنبوب سيفون الصرف بما يقابل مكان الصامولة التي فككتها توأ.

قم بإدراج خرطوم التصريف في الصامولة لحوالي ٢ سم ثم قم بتثديد صامولة تثبيت السدادة.

قم بتثديد صامولة التثبيت وتركيب صمام منع الارتجاع والسهم يشير نحو السدادة، أقرب ما يمكن إلى العادم.



١ أنبوب التصريف

٢ التثبيت السريع

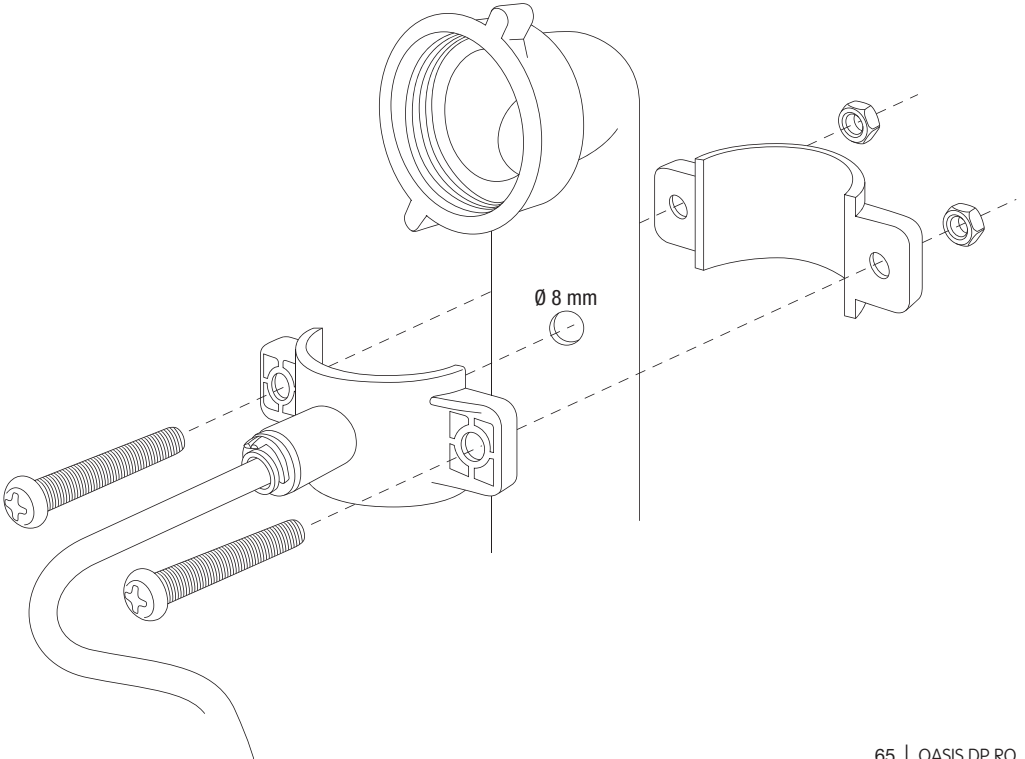
٣ سدادة تصريف

٤ طوق العزل

٥ برغي

٦ صامولة تثبيت البرغي

٧ أنبوب سيفون تصريف الحوض



قبل التركيب، تأكد من أن نظام السباكة يتوافق مع القواعد الفنية.

قم بتركيب تمريرة تسمح باستبعاد الوحدة.

قم بتثبيت صمام عدم الارتجاع من الوحدة لإمدادات المياه.

في حالة ارتفاع ضغط الشبكة عن ٨ بار (١١٦ باسكال) يجب أن يتم تثبيت مخفض ضغط في بداية الوحدة.  
قم بحماية المنتج ضد "المطرقة المائية" عن طريق نظام مضاد للمطرقة مناسب (أو عية توسيع وامتصاص صدمات).

في حالة انخفاض ضغط الشبكة إلى أقل من ٣ بار قم بتثبيت الموديلات المزودة بالمضخة (PUMP, PUMP-UV).

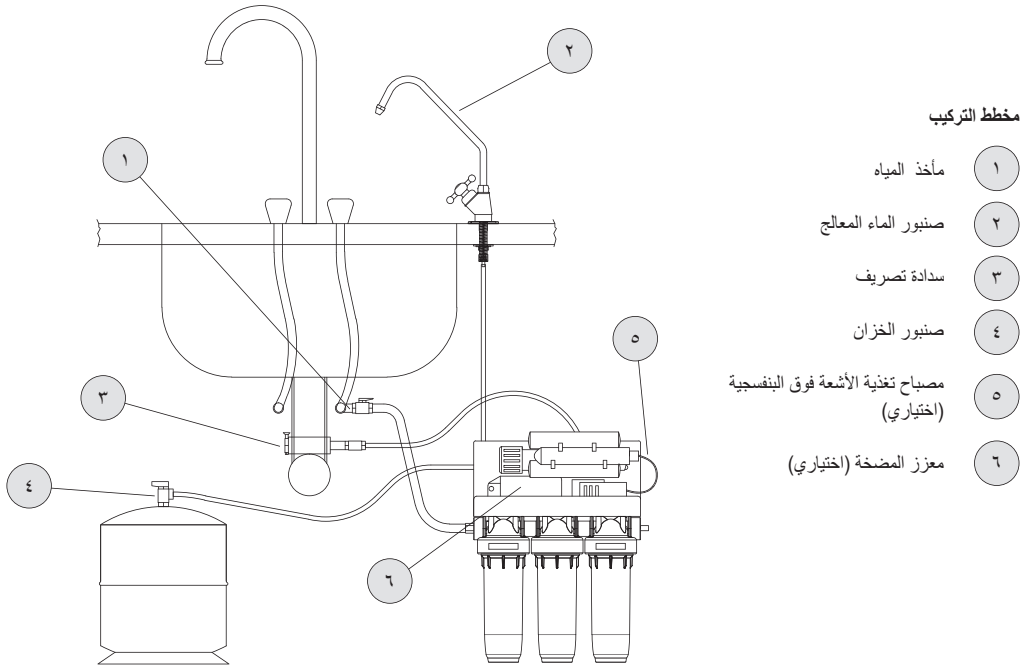


وجود وكفاءة التوصيل بالخط الأرضي.

توافق خط التغذية مع المواصفات الكهربائية لمحور معزز المضخة (موديلات المضخة PUMP) ومصباح الأشعة فوق البنفسجية (موديلات UV).

الأسلاك الكهربائية في دائرة امدادات الطاقة بقطر أكبر من ١ مم.

استقرار التيار الكهربائي في الشبكة (تنذب التيار الكهربائي أقل من ١٠٪).



### ٢.٥.١ تثبيت نموذجي بمأخذ المياه ٢/١ بوصة MF

فك الخرطوم المرن للماء البارد من مشبكه على الجدار.

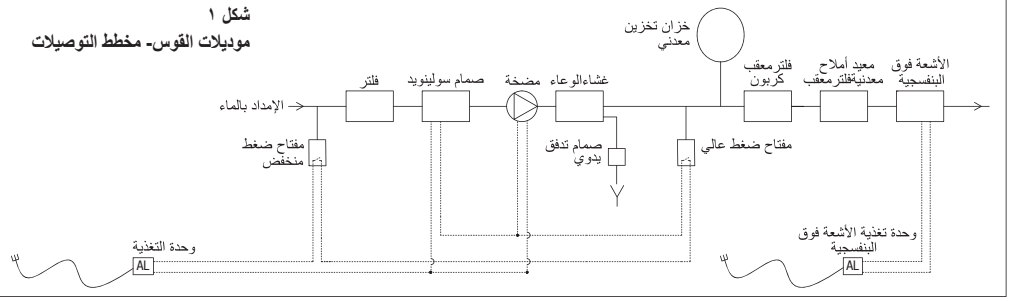
بواسطة شريط عزل (PTFE)، قم بتثبيت مأخذ المياه ٢/١ بوصة MF بصنبور ٤/١ بوصة.

أعد تركيب الخرطوم المرن الذي سبق أن أزلته على وصلة مذكر مأخذ المياه.

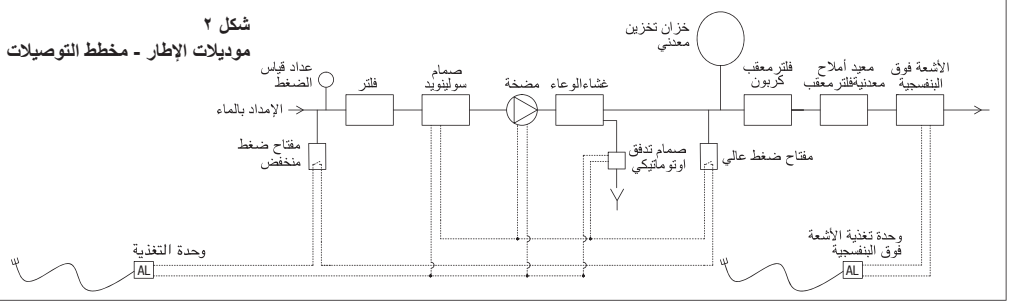
قم بتوصيل خرطوم ٤/١ بوصة من جهاز OASIS إلى مأخذ المياه.



شكل ١  
موديلات القوس- مخطط التوصيلات



شكل ٢  
موديلات الإطار - مخطط التوصيلات



جدول ١

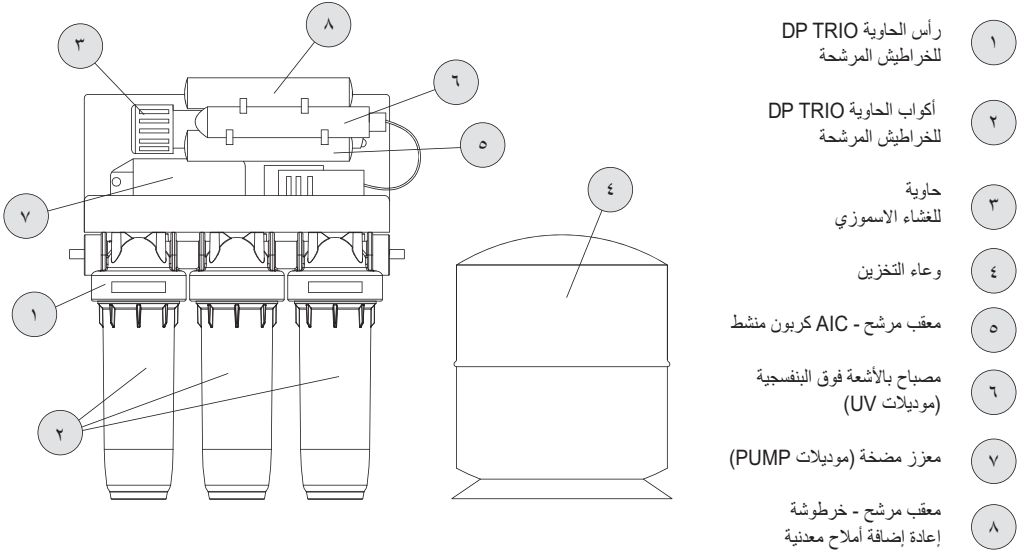
					موديل
PUMP+UV	PUMP	UV	معيار قياسي	وحدة قياس	مواصفة فنية
580x370x150 510x380x200	580x370x150 510x380x200	580x370x150	580x370x150	mm mm	الحد الأقصى لموديلات القوس الحد الأقصى لموديلات الإطار (ارتفاع x عرض x عمق)
280x345 284x400	280x345 284x400	280x345 284x400	280x345 284x400	mm mm	أبعاد الخزان المعدني أبعاد الخزان البلاستيكي (القطر x الارتفاع)
7,5	7	5,5	5	kg	الوزن
190	190	190	190	l	الحد الأقصى للإنتاج اليومي ٥٠ GPD
380	380	380	380	l	الحد الأقصى للإنتاج اليومي ١٠٠ GPD
20	20	20	20	%	معدل الاسترداد
95	95	90	90	%	طرد الملح
> 98	> 98	> 98	> 98	%	طرد البكتيريا
1000	1000	1000	1000	mg/l (ppm)	الحد الأقصى لإجمالي المواد المذابة TDS في المياه المغذاة
30	30	30	30	°C	الحد الأقصى لدرجة حرارة المياه المغذاة
100	100	100	100	l/h	الحد الأدنى لتدفق التغذية
1	1	3	3	bar	الحد الأدنى لضغط التغذية
3	3	8	8	bar	الحد الأقصى لضغط التغذية
مرحلة واحدة + أرضي	مرحلة واحدة + أرضي				التغذية الكهربائية
220/230		220/230		V	الفولطية الاسمية
50/60		50/60		Hz	التردد
0,1-0,12A		0,1-0,12A		A	استهلاك التيار
6W		6W		W	القدرة
تيار مستمر	تيار مستمر				نوع التغذية
24	24			V	الفولطية الاسمية
116	116			psi	معدل الانتشار

## ٢. التركيب

### ٢.١ تمهيد

يجب أن يتم تنفيذ التجميع والتركيب من قبل أشخاص مؤهلين وفقا للوائح المحلية السارية. قبل القيام بأية عملية من الضروري قراءة التعليمات الواردة في هذا الدليل بعناية. حافظ على الدليل واعمل على حمايته ما استطعت من كل ما يمكن أن يؤثر سلبا على سهولة قراءته.

### ٢.٢ المكونات الرئيسية



### ٢.٣ مخطط التوصيلات (الشكل ١ والشكل ٢)

تتأثر نسبة الأملاح الذائبة والعناصر الأخرى التي تم طردها بنوعية المياه، ودرجة الحرارة، والضغط، ومجموع الأملاح الذائبة وتختلف حسب نوعيات الأملاح أو العناصر.

معالجة المياه المعكرة بوضوح أو التي تحتوي على شوائب كثيرة يمكن أن تؤدي إلى انسداد الفلاتر التمهيدية و / أو الأغشية، مما تسبب في فقدان في انتاجية المياه.

لا يمكن علاج مياه الصرف، ومياه البحر أو مياه أخرى بمواصفات كيميائية وفيزيائية و بكتريولوجية لا تندرج ضمن الإمكانيات العملية للمعالجة عن طريق التناضح العكسي (و كذلك مياه الصرف الصناعي و التشغيل الكيميائي).

مصباح الأشعة فوق البنفسجية خطرة على العينين، فتجنب التعرض المباشر.



### ٢.٤ المواصفات الفنية (الجدول A)

يعتبر استخدام المنتج في ظروف التشغيل المختلفة عن المواصفات الفنية استخداما غير صحيح. الشركة المصنعة ليست مسؤولة عن أي ضرر ناتج عن الاستخدام غير السليم للمعدات، وعدم الامتثال للتوصيات الواردة في هذا الدليل، ومن الإصلاحات التي لم تتخذ من قبل موظفين مؤهلين أو الناشئة عن التعديلات أو التي تغير طرق التشغيل الأصلية للوحدة.

عميلنا العزيز، شكراً لاختياركم هذا المنتج من Atlas Filtri

### ١. معلومات عامة

تنطبق الإرشادات الواردة في هذا الدليل على الموديلات:

OASIS DP SANIC STD  
OASIS DP SANIC PUMP  
OASIS DP SANIC UV  
OASIS DP SANIC PUMP-UV  
OASIS DP-F SANIC PUMP  
OASIS DP-F SANIC PUMP-UV



OASIS DP STD  
OASIS DP PUMP  
OASIS DP UV  
OASIS DP PUMP-UV  
OASIS DP-F PUMP  
OASIS DP-F PUMP-UV

OASIS DP هو جهاز معد لمعالجة مياه الشرب يمكن أن يغير المواصفات الحسية والكيميائية لها، ويقلل كمية الملح مع ضمان سلامتها الميكروبيولوجية. إن الاستخدام والصيانة الصحيحة يسمحان بالحد من الملوثات الرئيسية، مثل المبيدات الحشرية والمبيدات والأسمدة والمواد العضوية الخطرة، والمعادن الثقيلة، والكانثات الدقيقة المسببة للأمراض.

### ١.١ الرموز المستخدمة

#### إرشادات ذات طابع عام

تشير إلى تحذير أو ملاحظة على وظائف رئيسية أو معلومات مفيدة. يرجى إيلاء أقصى اهتمام لأجزاء النص التي يشير إليها هذا الرمز.

يشير إلى تدخل يدوي لضبط يستلزم أيضاً استخدام تجهيزات ومعدات يدوية.



يتطلب منك الكشف عن قيمة القياس، والتأكد من التحذير، وعمل معاينة بصرية.



#### إشارات الخطر

خطر عام، مع خطر على المستخدم.



مخاطر كهربائية الطابع.



#### إشارات الحظر

حظر.



### ١.٢ شروط الاستخدام

OASIS DP ليس جهاز تحويل الماء لماء شرب. لا تستخدمه في الاستخدامات المخصصة لمياه الشرب في حالة المياه غير الصالحة للشرب في الأصل أو إذا كانت من نوعية غير معروفة.



قم بإجراء صيانة دورية منتظمة لضمان متطلبات صلاحية الماء للشرب لمياه الشرب المعالجة والحفاظ على الأداء المعن.

فقط استخدام مع المياه ذات درجة الحموضة ما بين ٦.٥ و ٩.٥.

يجب احترام قيود الاستخدام المبينة في بطاقات التسمية.

يجب حمايته من الصقيع والحرارة المفرطة: الحد الأدنى ٤ درجة مئوية (٣٩.٢ فهرنهايت) - الحد الأقصى ٤٥ درجة مئوية (١١٣ درجة فهرنهايت).

إذا لم يتم استخدامه لفترات طويلة، أزل الخراطيش والأغشية وعند إعادة التشغيل، أعد إدخالها. بعد الصيانة، اترك الماء يتدفق لمدة ٥ دقائق على الأقل قبل استخدامه.







**Atlas Filtri S.r.l.**

Headquarter: via Pierobon 32 - Production site: via del Santo, 227  
35010 LIMENA (Padova) - ITALY - Tel. +39.049.769055 - Fax +39.049.769994  
[www.atlasfiltri.com](http://www.atlasfiltri.com) - e-mail: [atlas@atlasfiltri.com](mailto:atlas@atlasfiltri.com)

**ATLAS FILTRI and SANIC** are registered trade marks of ATLAS FILTRI S.r.l.

Unauthorized use of the registered trade marks is strictly forbidden and legally persecuted.

Images and texts are property of ATLAS FILTRI S.r.l., which reserves the rights to change products design and specification without prior notice.

COMPANY WITH  
MANAGEMENT SYSTEM  
CERTIFIED BY DNV GL  
= ISO 9001 =  
= ISO 14001 =  
= OHSAS 18001 =