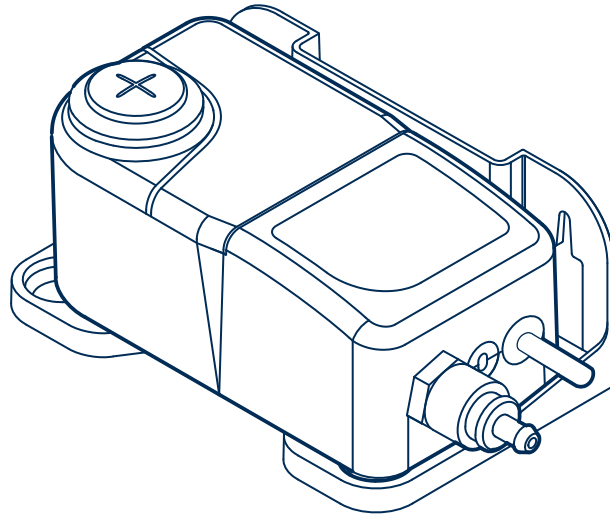
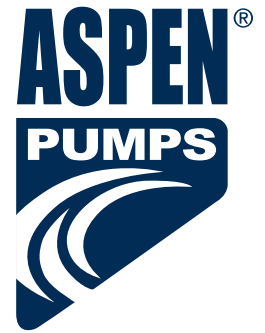




85kW max.

BOILER OUTPUT

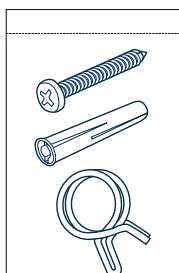
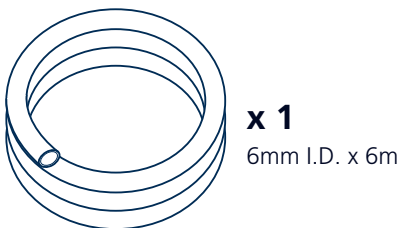
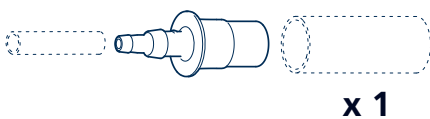
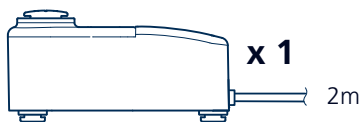
1kW = 3400 BTUs



Compact Boiler Pump

INSTRUCTIONS

In the box



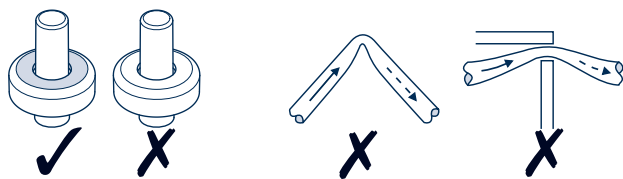
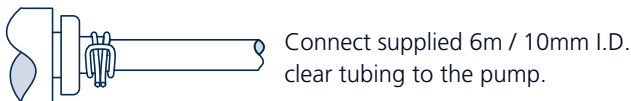
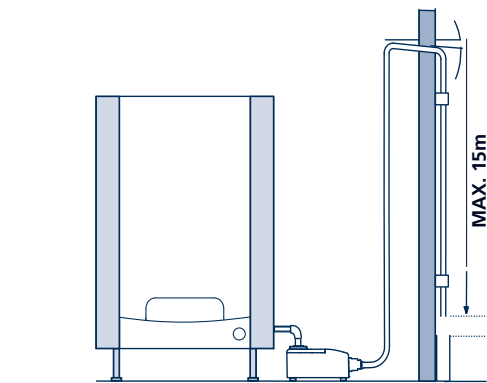
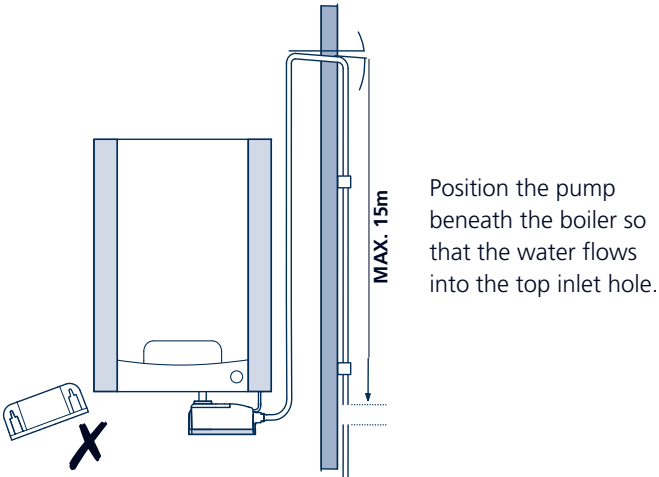
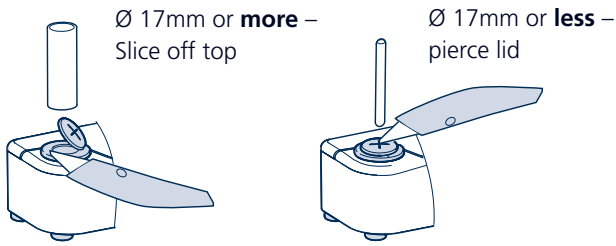
Safety

- If pump fails, the safety float switch will shut off boiler operation.
- Pump suitable for boiler with heat output 85kW condensate PH value +2.7.
- **Do not handle pump in wet conditions or with wet hands.**
- To reduce the risk of electric shock, ensure electrical supply is permanently wired to earth.

Specification

- Inlet up to 28mm
- Tank capacity: 0.24L
- High level safety cut-out
- Outlet size: 6mm
- Maximum water temperature: 60°C
- Maximum noise level: 35 dB(A) at 1m

Installation



Prevent any kinks or trapped parts.

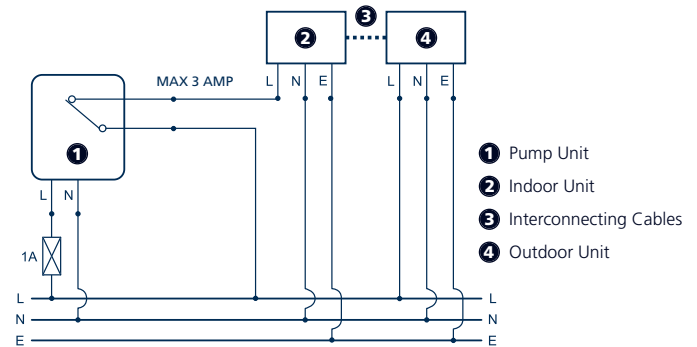
- If unable to create a downward slope at the highest point, an inverted U must be formed in the tubing.
- When tubing from the pump goes to a soil stack or waste pipe, always use a waste trap or a 75mm U trap formed within the tubing at the exit point.
- Where tubing from the pump goes to external soil and vent stack, extra care must be taken to prevent condensate from freezing and causing blockage.

Power Supply

- 230V AC 16W
- 1PH 50/60 Hz
- 3A alarm wires, normally closed
- Double insulated

Electrical Connections

Live: Brown
Neutral: Blue
Safety switch: 2x Black Earth – Yellow/Green



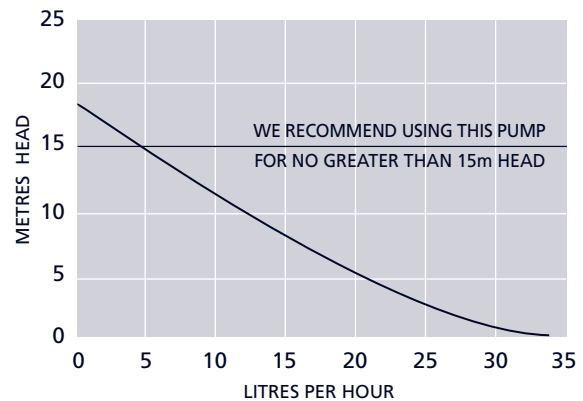
- ⚠ The pre-wired safety switch **SHOULD ALWAYS** be utilised.
- If a fused plug is used, a 3 amp fuse is recommended.

Commissioning & Maintenance

- Before servicing the pump, make sure the electrical power is disconnected at the fuse box for both the pump and boiler.
- When commissioning the pump please check for debris in the pump tank. Remove any material that might block the drain line or drain into the boiler pump.
- Regularly clean the holding tank and floats with warm water and soap. Rinse completely when finished.
- Check the inlet and outlet piping ensuring that there are no restrictions in the tubing.

Contact Aspen Pumps for further help.

Performance



For further information please visit
www.aspenpumps.com
 or contact +44 (0)1323 848842

designed by engineers for engineers



Whilst every care has been taken to ensure that the information included in this document was accurate at the time of printing, we reserve the right to change specifications at any time.