

► Air Cooled Screw Chillers

SLS 1402 to 8404

With or without total heat recovery



293 to 1646 kW



Technical Brochure

TM SLS134-A.2GB

Date : November 2006

Supersedes : TM SLS134-A.1GB/09.05

Airwell

Advantages

Frame and cabinet

- **Homogeneous and strong protection of metallic parts** from air ambient pollution thanks to new painting booth. All the metal panels and the **frame components are individually painted before assembling the unit** that gives outstanding corrosion resistance even on the shadow parts.
- Components location to enable a full inspection and an easy maintenance.
- **Rain protection door and sun shield** to do an additional protection of the electrical box and also for the service man during the unit start-up or maintenance.
- **Compressor box** : the box protects the compressors and reduces the noise. It is available as standard on all versions, **with or without sound proof insulation**.

Range, versions and options

- **Wide and deep range** : from 250 up to 1700 kW with **47 sizes** to meet perfectly the cooling capacity request of each job without extra cost.
- **3 versions** : **BLN, LN and ELN** to meet the demand of maximum noise level of different area of location.
- Huge number of options to configure the unit for a large field of application.

General

The new **SLS air cooled screw chillers** have been designed and optimized to operate with **HFC 134a refrigerant**. The components such as compressors and shell and tube heat exchangers have also been designed and optimized for this refrigerant.

The models **SLS 1402 to 4802** can be equipped, as optional, with **total heat recovery system** (composed mainly of additional condensers, liquid receivers and 4-way valves) allowing to recover all the condensing heat for the production of domestic hot water.

These chillers are available in **2 ranges** : **Standard (SLS STD) and High Efficiency (SLS HE)**.

The **SLS STD range** is composed of **23 sizes, 1402 to 8404**, covering a nominal cooling capacity range from **293 to 1646 kW**.

The models **SLS STD 1402 to 4802 (15 sizes)** consist of **2 independent refrigerant circuits** with one screw compressor on each circuit and a double circuit shell and tube type heat exchanger. These models are based on 3 frame sizes : 4, 6 and 8 meter long frames.

The models **SLS STD 5004 to 8404 (8 sizes)** are composed of **4 independent refrigerant circuits** with one screw compressor on each circuit and two double circuit shell and tube type heat exchangers. Each unit is supplied with two independent electrical boards located on each end of the unit. These units are based on 8, 10 and 12 meter long frames.

The **SLS HE range** is composed of **24 sizes, 1402 to 8404**, covering a nominal cooling capacity range from **304 to 1686 kW**.

The models **SLS HE 1402 to 4802 (15 sizes)** consist of **2 independent refrigerant circuits** with one screw compressor on each circuit and a double circuit shell and tube type heat exchanger.

Components option for HFC 134a

- **Screw compressor design is optimized for HFC 134a.**
- **Shell and tube evaporator design is optimized for HFC 134a.**
- Condenser coil is made in our factory to reach a high level of quality and flexibility.

High level of performance

- **High efficiency range (HE)** : each size performs higher efficiency level versus the STD range to meet the market requirement of unit with **compressor COP > 3**.

Compact foot print

- Up to 850 kW with a **6 meter long frame**.
- Up to 1100 kW with a **8 meter long frame**.

Integrated water pump kit

- **Optional integrated water pump kit** is available to meet the request of «plug and play» unit.

These models are based on 3 frame sizes : 4, 6 and 8 meter long frames.

The models **SLS HE 4804 to 8404 (9 sizes)** are composed of **4 independent refrigerant circuits** with one screw compressor on each circuit and two double circuit shell and tube type heat exchangers. Each unit is supplied with two independent electrical boards located on each end of the unit. These units are based on 12 meter long frame.

Each of the two ranges (SLS STD and SLS HE) is available in **3 versions** : **base low noise (BLN), low noise (LN) and extra low noise (ELN)**.

BLN version : This version is equipped with Delta connected fans. Each fan is located in an externally mounted nozzle profile housing generating low sound level. The compressors are housed in a protective box.

LN version : The units of this version have the same condenser coils and fans as the BLN units, but the fans are Star connected. Each fan is located in an externally mounted nozzle profile housing. In addition, the units are equipped with an acoustically insulated box mounted on compressors.

ELN version : The ELN units have the same equipment as the LN ones (same condenser coils and fans). The fans are Star connected for all sizes. In addition, the units are equipped with fan speed controller, acoustically insulated compressors box, and flexible pipes as well as mufflers mounted on compressor discharge lines.

The SLS HE high efficiency range differs from the SLS STD standard one by the greater surface area condenser coils and by the greater number of fans.

Technical Description

Frame and cabinet

The unit frame and cabinet are made of heavy gauge galvanized steel, fastened with non-corrosive screws and bolts.

The galvanized steel parts are coated with polyester resin based white colour (RAL 9001) painting.

Semi-hermetic screw compressors

The compressors installed in the SLS units are of semi-hermetic twin screw type integrating step type cooling capacity control system.

All compressors are fitted with an electronic control system ensuring the following functions :

- protection against high temperature and excessive load ;
- correct direction of rotation ;
- phase monitoring.

The main features of cooling capacity control of each compressor are stated below :

- compressor capacity reduction by means of solenoid valves ;
- capacity reduction steps relating to each compressor : 25% (at start-up and pump down), 50%, 75% and 100% ;
- 6 capacity steps are then provided on 2 refrigerant circuit units : 25%, 50%, 63%, 75%, 87% and 100% and 9 steps on 4 refrigerant circuit units.

Furthermore, the screw compressors are provided with control devices to make the SLS units more reliable :

- electric motor temperature sensor ;
- discharge temperature sensor.

The compressors are supplied with a Part-Winding and/or Star-Delta starting system (refer to section "Compressor electrical data").

Refrigerant circuits

Each SLS unit has 2 or 4 independent refrigerant circuits according to the models.

Each refrigerant circuit is composed of components as shown in the section "Refrigerant flow diagram".

Evaporators

Shell and tube type evaporators optimized for operation with HFC 134a refrigerant. The twin units are fitted with two independent exchangers that can be connected by inlet and outlet connecting manifolds supplied as optional extra.

They are insulated with a 19 mm thick closed cell foam material and are fitted with an electric cable resistance on the external surface to prevent the unit from freezing at a low temperature (down to -18 °C), when the unit is off.

Total heat recovery condensers (optional)

Shell and tube type condensers fitted on the gas discharge lines, in parallel with the standard cooling circuits.

Each unit is equipped with two heat recovery condensers, one on each circuit.

Thanks to the 4-way valves used in the heat recovery system, the mode switching from cooling only mode to heat recovery mode is totally synchronized.

With such system, there is no any refrigerant stagnation in the condenser coils where all the fans are off, because the compressors suck all the refrigerant from the coils. Thus, influence of wind or air temperature is avoided during heat recovery operation.

Condenser coils

The condenser coils are consisting of seamless 1/2" copper tubes, arranged in staggered rows, mechanically expanded into corrugated aluminium fins.

The coil circuiting has been specially designed to increase the performance of the refrigerant.

Condenser coil fans

The condenser fans are of direct drive axial type and are composed of wing contour aluminium blades. All fans have diameter of 800 mm. Each of them is fitted with a painted steel protective guard.

Each fan is equipped with a nozzle profile housing which generates low noise level during the operation of the unit.

Fan controls

The standard units operate with an external air temperature down to -5 °C thanks to the use of a fan step controller which consists in deactivating a certain number of fans for each step.

A stepless fan speed controller can be supplied as optional in order to allow the units to operate with an external air temperature down to -18 °C.

The minimum external operating temperature on ELN units is -18 °C, thanks to the stepless fan speed controller supplied as standard.

Electrical board

Electrical board is a metal box of IP54 weather protection, arranged inside the unit and protected by a horizontally pivoted external panel.

On the twin units, an auxiliary electrical board (IP54) is located at the opposite end of the unit. In this case, 2-point power supply connections will be supplied. Single point power supply connections can be provided as optional.

Control and safety devices

All the SLS units are fitted with the following devices :

Safety :

- Main disconnect switch equipped with an emergency stop.
- HP switches (two on each circuit) set to 22 bars : manual reset from control board.
- LP transducers (one on each circuit) used as pressure switches and set to 1 bar : manual reset from control board. Transducers allow also suction pressure reading.
- Anti-freeze temperature sensor (set to +3 °C).
- Maximum discharge temperature sensor (not displayed).
- Discharge line safety valve set to 24.5 bars.
- Heat recovery line safety valve set to 24.5 bars.
- Suction line safety valve set to 16.5 bars.

Control :

- HP transducers (one on each circuit).
- Evaporator water inlet temperature sensor.
- Evaporator water outlet temperature sensor.
- Ambient air temperature sensor.
- Heat recovery condenser temperature sensors.

Controls

The SLS units are supplied with a microprocessor based electronic control and management system ensuring the following functions :

→ Management of liquid / pump down solenoid valves :

- Compressor starts when solenoid valve is energized.
- Pump down takes place when solenoid valve is de-energized.

→ Management of compressor operation :

- Start-up / Stop.
- Management of delays at start-up.

Technical Description (cont'd)

→ Chilled water temperature control on evaporator water return or leaving :

- Control on return water : proportional type (RWT P) or integral proportional type (RWT P+I) with integration time to be parameterized.
- Control on leaving water (LWT).
- Standard control : RWT P.

→ Evaporator anti-freeze protection.

→ Fan protection.

→ Hydraulic module management.

→ Management of high and low pressure alarms.

→ Remote control management :

- Unit start-up and stop.
- Alarm signalling.

→ Programming of 4 hour periods with 4 different set points.

→ Alarm records.

→ Counting of compressor and pump (if present) operation hours.

→ Operating mode «Night/Low noise» (for version ELN only).

The electronic controller provides for a clear signalling, on the LCD, of any unit control parameters, such as :

- Display of the circuit 1 and circuit 2 discharge pressure.
- Display of the circuit 1 and circuit 2 suction pressure.
- Display of the return water temperature.
- Display of the leaving water temperature.
- Display of the ambient air temperature.
- Display of the various alarms and operation states :
 - Inlet water temperature.
 - Outlet water temperature.
 - High / low pressure.
 - Ambient air temperature.
 - Evaporator anti-freeze.
 - Lack of water.
 - Phase sequence monitoring.
 - Compressor thermal protection.
 - Fan thermal protection.
 - Remote unit OFF.
- Remote ON/OFF contact.
- Contacts for the forced unloading of compressors or for the second set point.
- Contacts signalling that the compressors are running.
- Contact signalling that the unit is switched on.
- Contact signalling that the unit is alarmed.

Reference standards

The following applies to all the sizes and versions belonging to the SLS units :

- ✓ Machine directive : EEC 98/37 (EN 292/1, EN 292/2)
- ✓ Low Voltage Directive : EEC 73/23 (EN 60204-1, EN 60439-1)
- ✓ Electromagnetic Compatibility Directive : EEC 89/336 as modified by Directive EEC 92/31 (EN 50081-1, EN 50082-2)
- ✓ Pressure Equipment Directive : 97/23/CE

Factory-installed options

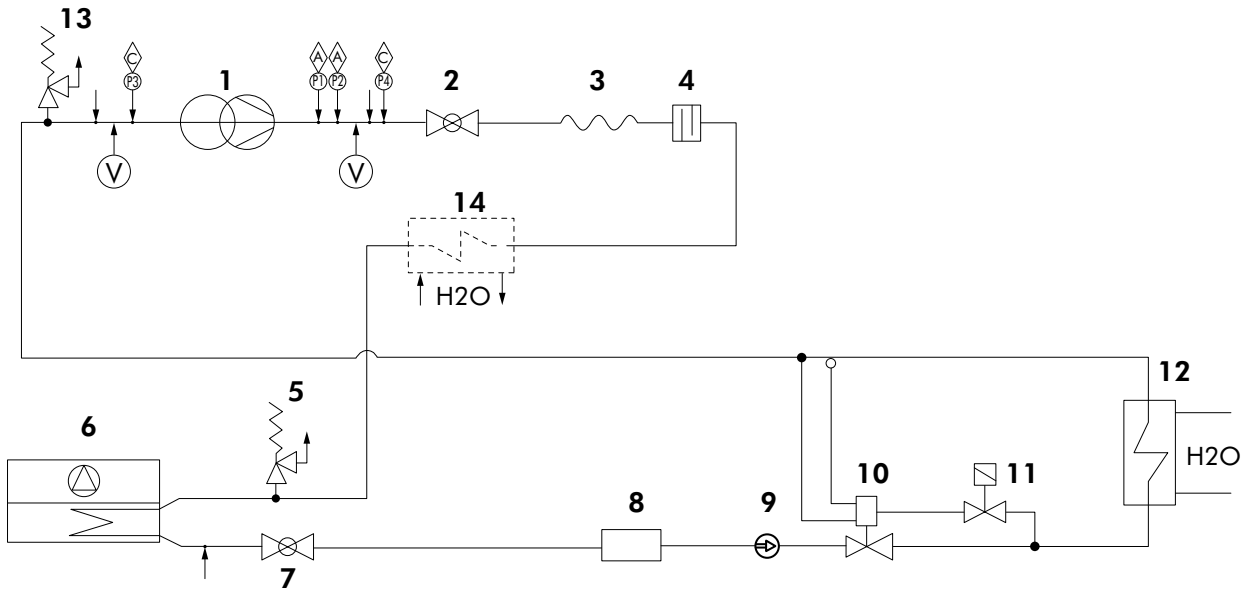
- Condenser coils with blue fins covered with a coating easing the flowing of water.
- Condenser coils with "Fin Guard Silver" (polyurethane) coated fins.
- Condenser coils with copper fins.
- LP & HP manometers.
- Condenser coil guards.
- Chiller grilles.
- Special inverter fans (SIF) with ESP > 100 Pa (for version BLN only).
- Fan speed controller for version BLN (not compatible with option SIF).
- Compressor soft starting.
- Power factor correction capacitors.
- Electronic expansion valves.
- Compressor Star/Delta starting (sizes 1402 to 2002).
- Compressor suction valves.
- Compressor liquid injection.
- Compressor oil cooler.
- Compressor oil level switch.
- Compressor acoustic box (for version BLN).
- Water pump acoustic box.
- Total heat recovery.
- Desuperheater.
- Antifreeze electric heater for hydraulic manifolds.
- 1 or 2 low/high pressure pump kits with accessories.
- Single point power supply connections (for the twin units).
- GSM modem :
 - For information communication and transfer by SMS (SIM card not supplied).
- Data logger :
 - Electronic board memorizing machine information intended for maintenance works :
 - Last memorized alarms (date and type).
 - Entering and leaving water temperature report.
 - Suction and discharge pressure report.

Field-installed accessories

- Flow switch.
- Rubber pads.
- Spring anti-vibration mounts.
- Remote wall mounted display terminal.
- Chiller-Net :
 - Master/slaves control up to 4 units maximum.
- Modbus protocol kit for BMS.
- Lonwork protocol kit for BMS.
- Bacnet protocol kit for BMS.
- Hydraulic manifolds for single point in/out water connections (for twin units).
- External hydraulic module (with 1 or 2 low or high pressure pump(s) + accessories) equipped with an insulated water tank :
 - 1000 litres : model SLS 1402-1602.
 - 1500 litres : models SLS 1802 to 2702.
 - 2500 litres : models SLS 2802 to 4602.

Refrigerant Flow Diagrams

Unit without total heat recovery

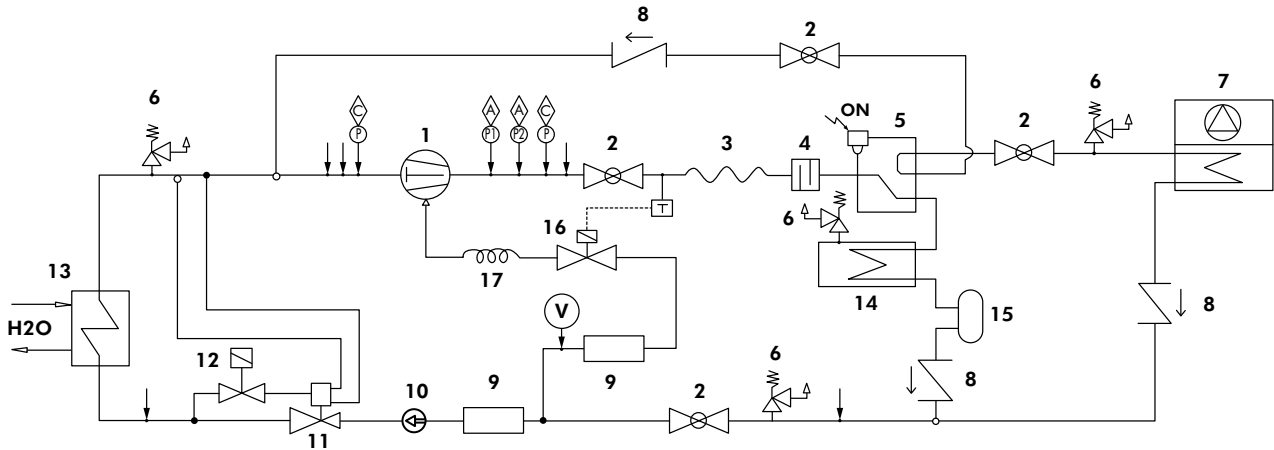


Note : Each unit has 2 or 4 refrigerant circuits according to the models. For reasons of readability, one circuit only is shown.

COMPONENTS		SAFETY DEVICES	
1	Screw compressor	8	Filter
2	Discharge valve	9	Sight glass
3	Flexible pipe (ELN version only)	10	Thermostatic expansion valve
4	Muffler (ELN version only)	11	Solenoid valve
5	Safety valve	12	Shell and tube heat exchanger
6	Condenser coil	13	Safety valve
7	Liquid valve	14	Desuperheater (optional)
		↑	Pump down points
		Ⓧ	Pressure tapping and refrigerant charging/discharging points
		⚠	High pressure switch
		Ⓞ	Transducers

Refrigerant Flow Diagrams (cont'd)

Unit with total heat recovery (optional)



Note : Each unit has 2 refrigerant circuits. For reasons of readability, one circuit only is shown. Liquid injection is supplied as optional.

COMPONENTS	
1	Screw compressor
2	Shut off valve
3	Flexible pipe (ELN version only)
4	Muffler (ELN version only)
5	4-way valve
6	Safety valve
7	Condenser coil
8	Non-return valve
9	Filter
10	Sight glass
11	Thermostatic expansion valve
12	Solenoid valve
13	Evaporator
14	Heat recovery heat exchanger
15	Liquid receiver
16	Solenoid valve
17	Capillary

SAFETY DEVICES	
	Pump down points
	Pressure tapping and refrigerant charging/discharging points
	High pressure switch
	Transducers

Operating Limits - SLS STD

SLS STD			1402		1602		1802		1902		2002		2202			
			Min.	Max.	Min.	Max.	Min.	Max.	Min.	Max.	Min.	Max.	Min.	Max.		
Warm liquid	Water outlet temperature		°C		+30 to +60											
	Water temperature difference		K		+3 to +8											
	Flow rate (1)		l/h		19848	52928	22314	59504	25043	66780	28268	75382	31275	83399	33338	88902
	Pressure drop (1)		kPa		13.6	96.9	15.0	106.5	18.9	134.2	15.6	111.1	19.1	136.0	14.6	104.0
	Maximum operating pressure - Water side		bar		10											
Chiller	Liquid outlet temperature	Water	°C		+5 to +15											
		Water temp. difference	K		3 to 8											
	Pressure drop (1)		kPa		10.83	76.99	13.42	95.42	7.86	55.87	9.91	70.47	12.20	86.72	13.57	96.51
	Flow rate (1)		l/h		31498	83993	35067	93511	39302	104805	44140	117705	48966	130577	51654	137743
	Maximum operating pressure - Water side		bar		16											
Ambient Air	Air entering temperature	BLN Version	°C		-5 (2) to 45		-5 (2) to 44		-5 (2) to 45		-5 (2) to 44		-5 (2) to 45		-5 (2) to 44	
		LN Version	°C		-5 (2) to 42		-5 (2) to 41		-5 (2) to 42		-5 (2) to 41		-5 (2) to 42		-5 (2) to 41	
		ELN Version	°C		-18 to 42		-18 to 41		-18 to 42		-18 to 41		-18 to 42		-18 to 41	
	External static pressure	Standard fans	Pa		0											
		High pressure fans	Pa		100											
Recommended chilled water volume of the system (3)			l		2198		2447		2742		3080		3416		3604	
Nominal supply voltage			V		400 V / 3 Ø / 50 Hz (4)											

SLS STD			2502		2702		3002		3202		3402			
			Min.	Max.	Min.	Max.	Min.	Max.	Min.	Max.	Min.	Max.		
Warm liquid	Water outlet temperature		°C		+30 to +60									
	Water temperature difference		K		+3 to +8									
	Flow rate (1)		l/h		35723	95261	38113	101634	42163	112435	45264	120704	49302	131472
	Pressure drop (1)		kPa		16.8	119.4	19.1	135.9	8.7	62.2	10.1	71.6	12.0	85.0
	Maximum operating pressure - Water side		bar		10									
Chiller	Liquid outlet temperature	Water	°C		+5 to +15									
		Water temp. difference	K		3 to 8									
	Pressure drop (1)		kPa		13.07	92.93	14.81	105.33	21.81	155.09	16.01	113.85	18.98	134.96
	Flow rate (1)		l/h		55212	147232	58781	156749	66682	177819	70950	189200	77250	205999
	Maximum operating pressure - Water side		bar		16									
Ambient Air	Air entering temperature	BLN Version	°C		-5 (2) to 43		-5 (2) to 43		-5 (2) to 45		-5 (2) to 45		-5 (2) to 45	
		LN Version	°C		-5 (2) to 40		-5 (2) to 40		-5 (2) to 42		-5 (2) to 42		-5 (2) to 42	
		ELN Version	°C		-18 to 40		-18 to 40		-18 to 42		-18 to 42		-18 to 42	
	External static pressure	Standard fans	Pa		0									
		High pressure fans	Pa		100									
Recommended chilled water volume of the system (3)			l		3852		4101		4652		4950		5390	
Nominal supply voltage			V		400 V / 3 Ø / 50 Hz (4)									

- (1) At nominal conditions for SLS BLN units.
(2) Minimum ambient temperature : -18 °C with fan speed controller (optional).
(3) Data given for a water volume of 7.5 litres/kW.
(4) Tolerance : 400 V ± 10 %.

Operating Limits - SLS STD (cont'd)

SLS STD			3602		4202		4602		4802		5004		5404			
			Min.	Max.	Min.	Max.	Min.	Max.	Min.	Max.	Min.	Max.	Min.	Max.		
Warm liquid	Water outlet temperature		°C		+30 to +60						-	-	-	-		
	Water temperature difference		K		+3 to +8						-	-	-	-		
	Flow rate (1)		l/h		52363	139634	57469	153251	62162	165764	65967	175913	-	-		
	Pressure drop (1)		kPa		13.5	95.9	16.2	115.5	16.4	116.6	18.5	131.3	-	-		
	Maximum operating pressure - Water side		bar		10						-	-	-	-		
Chiller	Liquid outlet temperature	Water	°C		+ 5 to + 15											
		Water temp. difference	K		3 to 8											
	Pressure drop (1)		kPa		21.16	150.49	18.02	128.13	23.42	166.53	26.26	186.75	13.07	92.93	14.81	105.33
	Flow rate (1)		l/h		81571	217523	88505	236013	97696	260523	103458	275888	55212	147232	58781	156749
	Maximum operating pressure - Water side		bar		16											
Ambient Air	Air entering temperature	BLN Version	°C		-5 (2) to 45		-5 (2) to 43		-5 (2) to 44		-5 (2) to 44		-5 (2) to 43		-5 (2) to 43	
		LN Version	°C		-5 (2) to 42		-5 (2) to 40		-5 (2) to 41		-5 (2) to 41		-5 (2) to 40		-5 (2) to 40	
		ELN Version	°C		-18 to 42		-18 to 40		-18 to 41		-18 to 41		-18 to 40		-18 to 40	
	External static pressure	Standard fans	Pa		0											
		High pressure fans	Pa		100											
Recommended chilled water volume of the system (3)			l		5691		6175		6816		7218		7704		8202	
Nominal supply voltage			V		400 V / 3 Ø / 50 Hz (4)											

SLS STD			5704		6004		6404		6804		7204		8404			
			Min.	Max.	Min.	Max.	Min.	Max.	Min.	Max.	Min.	Max.	Min.	Max.		
Chiller	Liquid outlet temperature	Water	°C		+ 5 to + 15											
		Water temp. difference	K		3 to 8											
	Pressure drop (1)		kPa		19.30	137.26	21.81	155.09	16.01	113.85	18.98	134.96	21.16	150.49	18.02	128.13
	Flow rate (1)		l/h		62732	167284	66682	177819	70950	189200	77250	205999	81571	217523	88505	236013
	Maximum operating pressure - Water side		bar		16											
Ambient Air	Air entering temperature	BLN Version	°C		-5 (2) to 43		-5 (2) to 45		-5 (2) to 45		-5 (2) to 45		-5 (2) to 45		-5 (2) to 43	
		LN Version	°C		-5 (2) to 40		-5 (2) to 42		-5 (2) to 42		-5 (2) to 42		-5 (2) to 42		-5 (2) to 40	
		ELN Version	°C		-18 to 40		-18 to 42		-18 to 42		-18 to 42		-18 to 42		-18 to 40	
	External static pressure	Standard fans	Pa		0											
		High pressure fans	Pa		100											
Recommended chilled water volume of the system (3)			l		8753		9305		9900		10779		11382		12350	
Nominal supply voltage			V		400 V / 3 Ø / 50 Hz (4)											

- (1) At nominal conditions for SLS BLN units. On models 5004 to 8404, the flow rate and pressure drop are given for each evaporator.
(2) Minimum ambient temperature : -18 °C with fan speed controller (optional).
(3) Data given for a water volume of 7.5 litres/kW.
(4) Tolerance : 400 V ± 10 %.

Operating Limits - SLS HE

SLS HE			1402		1602		1802		1902		2002		2402			
			Min.	Max.	Min.	Max.	Min.	Max.	Min.	Max.	Min.	Max.	Min.	Max.		
Warm liquid	Water outlet temperature		°C		+30 to +60											
	Water temperature difference		K		+3 to +8											
	Flow rate (1)		l/h		19848	52928	22314	59504	25043	66780	28268	75382	31616	84309	34756	92682
	Pressure drop (1)		kPa		13.6	96.9	15.0	106.5	18.9	134.2	15.6	111.1	12.7	90.3	14.3	101.6
	Maximum operating pressure - Water side		bar		10											
Chiller	Liquid outlet temperature	Water	°C		+5 to +15											
		Water temp. difference	K		3 to 8											
	Pressure drop (1)		kPa		11.7	82.9	14.4	102.4	8.4	59.7	10.6	75.5	12.8	91.2	14.0	99.3
	Flow rate (1)		l/h		32680	87147	36335	96893	40635	108360	45688	121833	50224	133931	57083	152220
	Maximum operating pressure - Water side		bar		16											
Ambient Air	Air entering temperature	BLN Version	°C		-5 (2) to 48		-5 (2) to 47		-5 (2) to 47		-5 (2) to 47		-5 (2) to 47		-5 (2) to 48	
		LN Version	°C		-5 (2) to 45		-5 (2) to 44		-5 (2) to 44		-5 (2) to 44		-5 (2) to 44		-5 (2) to 45	
		ELN Version	°C		-18 to 45		-18 to 44		-18 to 44		-18 to 44		-18 to 44		-18 to 45	
	External static pressure	Standard fans	Pa		0											
		High pressure fans	Pa		100											
Recommended chilled water volume of the system (3)			l		2280		2535		2835		3188		3504		3983	
Nominal supply voltage			V		400 V / 3 Ø / 50 Hz (4)											

SLS HE			2602		2802		3002		3202		3402		3602			
			Min.	Max.	Min.	Max.	Min.	Max.	Min.	Max.	Min.	Max.	Min.	Max.		
Warm liquid	Water outlet temperature		°C		+30 to +60											
	Water temperature difference		K		+3 to +8											
	Flow rate (1)		l/h		37535	100094	40380	107681	43298	115460	45264	120704	49302	131472	55763	148702
	Pressure drop (1)		kPa		12.9	91.4	14.9	105.8	17.1	121.6	10.1	71.6	12.0	85.0	13.2	93.8
	Maximum operating pressure - Water side		bar		10											
Chiller	Liquid outlet temperature	Water	°C		+5 to +15											
		Water temp. difference	K		3 to 8											
	Pressure drop (1)		kPa		18.5	131.4	20.7	147.1	10.7	75.8	18.3	130.1	22.2	158.2	25.9	184.4
	Flow rate (1)		l/h		61383	163687	64930	173147	69488	185301	75852	202272	83635	223027	90300	240800
	Maximum operating pressure - Water side		bar		16											
Ambient Air	Air entering temperature	BLN Version	°C		-5 (2) to 48		-5 (2) to 48		-5 (2) to 47		-5 (2) to 48		-5 (2) to 48		-5 (2) to 48	
		LN Version	°C		-5 (2) to 45		-5 (2) to 45		-5 (2) to 44		-5 (2) to 45		-5 (2) to 45		-5 (2) to 45	
		ELN Version	°C		-18 to 45		-18 to 45		-18 to 44		-18 to 45		-18 to 45		-18 to 45	
	External static pressure	Standard fans	Pa		0											
		High pressure fans	Pa		100											
Recommended chilled water volume of the system (3)			l		4283		4530		4848		5292		5835		6300	
Nominal supply voltage			V		400 V / 3 Ø / 50 Hz (4)											

- (1) At nominal conditions for SLS BLN units.
(2) Minimum ambient temperature : -18 °C with fan speed controller (optional).
(3) Data given for a water volume of 7.5 litres/kW.
(4) Tolerance : 400 V ± 10 %.

Operating Limits - SLS HE (cont'd)

SLS HE			4202		4602		4802		4804		5204		5604			
			Min.	Max.	Min.	Max.	Min.	Max.	Min.	Max.	Min.	Max.	Min.	Max.		
Warm liquid	Water outlet temperature		°C		+30 to +60				-	-	-	-	-	-		
	Water temperature difference		K		+3 to +8				-	-	-	-	-	-		
	Flow rate (1)		l/h		60122	160325	62162	165764	65967	175913	-	-	-	-		
	Pressure drop (1)		kPa		15.3	109.0	16.4	116.6	18.5	131.3	-	-	-	-		
	Maximum operating pressure - Water side		bar		10				-	-	-	-	-	-		
Chiller	Liquid outlet temperature	Water	°C		+5 to +15											
		Water temp. difference	K		3 to 8											
	Pressure drop (1)		kPa		21.2	151.1	24.7	175.5	27.7	197.2	14.0	99.3	18.5	131.4	20.7	147.1
	Flow rate (1)		l/h		96105	256280	100298	267460	106318	283513	57083	152220	61383	163687	64930	173147
	Maximum operating pressure - Water side		bar		16											
Ambient Air	Air entering temperature	BLN Version	°C		-5 (2) to 47		-5 (2) to 47		-5 (2) to 47		-5 (2) to 48		-5 (2) to 48			
		LN Version	°C		-5 (2) to 44		-5 (2) to 44		-5 (2) to 44		-5 (2) to 45		-5 (2) to 45			
		ELN Version	°C		-18 to 44		-18 to 44		-18 to 44		-18 to 45		-18 to 45			
	External static pressure	Standard fans	Pa		0											
		High pressure fans	Pa		100											
Recommended chilled water volume of the system (3)			l		6705		6998		7418		7965		8565		9060	
Nominal supply voltage			V		400 V / 3 Ø / 50 Hz (4)											

SLS HE			6004		6404		6804		7204		7804		8404			
			Min.	Max.	Min.	Max.	Min.	Max.	Min.	Max.	Min.	Max.	Min.	Max.		
Chiller	Liquid outlet temperature	Water	°C		+5 to +15											
		Water temp. difference	K		3 to 8											
	Pressure drop (1)		kPa		10.7	75.8	13.1	93.5	14.6	103.8	16.1	114.7	17.9	127.1	19.0	135.0
	Flow rate (1)		l/h		69488	185301	75594	201584	79668	212449	83737	223299	88000	234665	90671	241789
	Maximum operating pressure - Water side		bar		16											
Ambient Air	Air entering temperature	BLN Version	°C		-5 (2) to 47		-5 (2) to 47		-5 (2) to 44		-5 (2) to 44		-5 (2) to 44			
		LN Version	°C		-5 (2) to 44		-5 (2) to 44		-5 (2) to 41		-5 (2) to 41		-5 (2) to 41			
		ELN Version	°C		-18 to 44		-18 to 44		-18 to 41		-18 to 41		-18 to 41			
	External static pressure	Standard fans	Pa		0											
		High pressure fans	Pa		100											
Recommended chilled water volume of the system (3)			l		9696		10548		1117		11684		12279		12652	
Nominal supply voltage			V		400 V / 3 Ø / 50 Hz (4)											

- (1) At nominal conditions for SLS BLN units. On models 4804 to 8404, the flow rate and pressure drop are given for each evaporator.
(2) Minimum ambient temperature : -18 °C with fan speed controller (optional).
(3) Data given for a water volume of 7.5 litres/kW.
(4) Tolerance : 400 V ± 10 %.

Correction Factors

Fouling factors

EVAPORATOR			CONDENSER		
Fouling factor (m ² .°C/kW)	Cooling capacity factor	Power input factor	Fouling factor (m ² .°C/kW)	Cooling capacity factor	Power input factor
0.044	1.000	1.000	0.044	1.000	1.000
0.088	0.987	0.995	0.088	0.987	1.023
0.176	0.964	0.985	0.176	0.955	1.068
0.352	0.915	0.962	0.352	0.910	1.135

Altitude factors

Altitude (m)	Cooling capacity factor	Power input factor
0	1.000	1.000
600	0.987	1.010
1200	0.973	1.020
1800	0.958	1.029
2400	0.943	1.038

Ethylene glycol solution correction factors

Ethylene glycol percent by weight	%	10	20	30	35	40
Freezing point	°C	-4	-10	-17	-21	-25
Cooling capacity correction factors (1)		0.995	0.985	0.970	0.963	0.955
Power input correction factors (1)		0.998	0.995	0.985	0.983	0.980
Flow rate correction factors		1.015	1.050	1.085	1.123	1.160
Pressure drop correction factors (2)		1.070	1.160	1.235	1.283	1.330

(1) Factors applicable only for glycol solution leaving temperature ≥ 7 °C. For temperatures < 7 °C, refer to table «Low temperature operation correction factors».

(2) Factors applicable only for glycol solution leaving temperature ≥ 5 °C. For temperatures < 5 °C, refer to table "Pressure drop correction factors for low temperature operation".

Low temperature operation correction factors

Leaving water temperature	°C	7	4	2	0	-2	-4	-6	-8
Minimum ethylene glycol percent	%	0	10	10	20	20	30	30	35
Cooling capacity correction factors		1.000	0.887	0.816	0.748	0.685	0.624	0.568	0.513
Power input correction factors		1.000	0.940	0.900	0.865	0.826	0.788	0.753	0.718

Pressure drop correction factors for low temperature operation

Ethylene glycol percent by weight	Glycol solution leaving temperature (°C)	Pressure drop correction factors
10%	5	1.071
	4	1.076
	3	1.081
	2	1.085
20%	1	1.193
	0	1.200
	-1	1.208
	-2	1.215
30%	-3	1.299
	-4	1.306
	-5	1.320
	-6	1.333

Physical Data - SLS STD - BLN Version

SLS STD BLN		1402	1602	1802	1902	2002	2202	2502	2702	3002	3202	3402	3602
Nominal cooling capacity (1)	kW	293.0	326.2	365.6	410.6	455.5	480.5	513.6	546.8	620.3	660.0	718.6	758.8
Power input (2)	kW	90.3	105.1	118.5	136.1	149.2	164.7	177.9	191.1	194.2	215.1	234.6	254.1
EER		3.2	3.1	3.1	3.0	3.1	2.9	2.9	2.9	3.2	3.1	3.1	3.0
Number of refrigerant circuits		2	2	2	2	2	2	2	2	2	2	2	2
Number of capacity steps		6											
COMPRESSORS													
Number		2	2	2	2	2	2	2	2	2	2	2	2
Type		Screw											
EVAPORATOR													
Number		1	1	1	1	1	1	1	1	1	1	1	1
Type		Shell and tube											
Water connections	inches	5	5	6	6	6	6	6	6	6	8	8	8
Water content per evaporator	litres	114	114	162	162	162	162	184	184	222	295	295	295
CONDENSERS													
Number of coils		4	4	4	4	4	4	4	4	4	4	4	4
Face area per coil	m ²	4	4	4	4	4	4	4	4	6	6	6	6
Number of rows		3	3	3	3	4	4	4	4	3	3	3/4	4
FANS													
Number of fans		4	4	6	7	8	8	8	8	12	12	12	12
Nominal fan speed	rpm	900	900	900	900	900	900	900	900	900	900	900	900
Total air flow	m ³ /h	95000	95000	131800	134900	138000	138000	138000	138000	231000	231000	225000	220000
Total power	kW	7.2	7.2	10.8	12.6	14.4	14.4	14.4	14.4	21.6	21.6	21.6	21.6
WEIGHT													
Shipping weight	kg	4020	4040	4290	4650	5210	5210	5310	5330	6960	7600	7760	7930
Operating weight	kg	4130	4150	4450	4810	5370	5380	5500	5520	7180	7890	8060	8220
SOUND LEVELS													
Sound power levels (3)	dB(A)	96	96	97	98	98	98	98	98	100	100	100	100
Sound pressure levels at 10 m (4)	dB(A)	64	64	65	66	66	66	66	66	68	68	68	68
DIMENSIONS (5)													
Length	mm	4000	4000	4000	4000	4000	4000	4000	4000	6000	6000	6000	6000
Width	mm	2200	2200	2200	2200	2200	2200	2200	2200	2200	2200	2200	2200
Height	mm	2550	2550	2550	2550	2550	2550	2550	2550	2550	2550	2550	2550

(1) Data based on leaving chilled water temperature of 7 °C and ambient air temperature of 35 °C.

(2) Data given for compressors only.

(3) Sound levels given at fully loaded conditions. Sound power level values refer to ISO 3744 and Eurovent 8/1. Tolerance ± 2dB.

(4) Sound pressure level values refer to ISO 3744. Tolerance 2dB.

(5) Indicative data. Always refer to dimensions indicated on the drawing.

Physical Data - SLS STD - BLN Version (cont'd)

SLS STD BLN		4202	4602	4802	5004	5404	5704	6004	6404	6804	7204	8404
Nominal cooling capacity (1)	kW	823.3	908.8	962.4	1027.2	1093.6	1167.1	1240.6	1320.0	1437.2	1517.6	1646.6
Power input (2)	kW	289.5	292.7	312.9	355.8	382.2	385.3	388.4	430.2	469.2	508.2	579.0
EER		2.8	3.1	3.1	2.9	2.9	3.0	3.2	3.1	3.1	3.0	2.8
Number of refrigerant circuits		2	2	2	4	4	4	4	4	4	4	4
Number of capacity steps		6				9						
COMPRESSORS												
Number		2	2	2	4	4	4	4	4	4	4	4
Type		Screw										
EVAPORATORS												
Number		1	1	1	2	2	2	2	2	2	2	2
Type		Shell and tube										
Water connections	inches	8	8	8	6	6	6	6	8	8	8	8
Water content per evaporator	litres	462	423	423	184	184	184/222	222	295	295	295	462
CONDENSERS												
Number of coils		4	4	4	8	8	8	8	8	8	8	8
Face area per coil	m ²	6	8	8	8	8	10	12	12	12	12	12
Number of rows		4	4	4	4	4	3/4	3	3	3/4	4	4
FANS												
Number of fans		12	14	14	16	16	20	24	24	24	24	24
Nominal fan speed	rpm	900	900	900	900	900	900	900	900	900	900	900
Total air flow	m ³ /h	220000	275000	275000	276000	276000	369000	462000	462000	450000	440000	440000
Total power	kW	21.6	25.2	25.2	28.8	28.8	36	43.2	43.2	43.2	43.2	43.2
WEIGHT												
Shipping weight	kg	8210	10820	10850	10620	10660	12290	13910	15190	15520	15850	16420
Operating weight	kg	8680	11240	11270	10990	11030	12690	14350	15780	16110	16440	17350
SOUND LEVELS												
Sound power levels (3)	dB(A)	100	100	100	101	101	102	103	103	103	103	103
Sound pressure levels at 10 m (4)	dB(A)	68	68	68	69	69	69	70	70	70	70	70
DIMENSIONS (5)												
Length	mm	6000	8000	8000	8000	8000	10000	12000	12000	12000	12000	12000
Width	mm	2200	2200	2200	2200	2200	2200	2200	2200	2200	2200	2200
Height	mm	2550	2550	2550	2550	2550	2550	2550	2550	2550	2550	2550

(1) Data based on leaving chilled water temperature of 7 °C and ambient air temperature of 35 °C.

(2) Data given for compressors only.

(3) Sound levels given at fully loaded conditions. Sound power level values refer to ISO 3744 and Eurovent 8/1. Tolerance ± 2dB.

(4) Sound pressure level values refer to ISO 3744. Tolerance 2dB.

(5) Indicative data. Always refer to dimensions indicated on the drawing.

Physical Data - SLS STD - LN Version

SLS STD LN		1402	1602	1802	1902	2002	2202	2502	2702	3002	3202	3402	3602
Nominal cooling capacity (1)	kW	275.4	306.6	343.7	386.0	428.2	451.7	482.8	514.0	583.1	620.4	675.5	713.3
Power input (2)	kW	95.7	111.4	125.6	144.3	158.2	174.6	188.6	202.6	205.9	228.0	248.7	269.3
EER		2.9	2.8	2.7	2.7	2.7	2.6	2.6	2.5	2.8	2.7	2.7	2.6
Number of refrigerant circuits		2	2	2	2	2	2	2	2	2	2	2	2
Number of capacity steps		6											
COMPRESSORS													
Number		2	2	2	2	2	2	2	2	2	2	2	2
Type		Screw											
EVAPORATOR													
Number		1	1	1	1	1	1	1	1	1	1	1	1
Type		Shell and tube											
Water connections	inches	5	5	6	6	6	6	6	6	6	8	8	8
Water content per evaporator	litres	114	114	162	162	162	162	184	184	222	295	295	295
CONDENSERS													
Number of coils		4	4	4	4	4	4	4	4	4	4	4	4
Face area per coil	m ²	4	4	4	4	4	4	4	4	6	6	6	6
Number of rows		3	3	3	3	4	4	4	4	3	3	3/4	4
FANS													
Number of fans		4	4	6	7	8	8	8	8	12	12	12	12
Nominal fan speed	rpm	700	700	700	700	700	700	700	700	700	700	700	700
Total air flow	m ³ /h	64600	64600	89624	91732	93840	93840	93840	93840	157080	157080	153000	149600
Total power	kW	5	5	7.5	8.75	10	10	10	10	15	15	15	15
WEIGHT													
Shipping weight	kg	4140	4160	4410	4770	5330	5330	5430	5450	7080	7720	7880	8050
Operating weight	kg	4250	4270	4570	4930	5490	5500	5620	5640	7300	8010	8180	8340
SOUND LEVELS													
Sound power levels (3)	dB(A)	91	91	92	92	92	92	92	92	94	94	94	94
Sound pressure levels at 10 m (4)	dB(A)	59	59	60	60	60	60	60	60	62	62	62	62
DIMENSIONS (5)													
Length	mm	4000	4000	4000	4000	4000	4000	4000	4000	6000	6000	6000	6000
Width	mm	2200	2200	2200	2200	2200	2200	2200	2200	2200	2200	2200	2200
Height	mm	2550	2550	2550	2550	2550	2550	2550	2550	2550	2550	2550	2550

(1) Data based on leaving chilled water temperature of 7 °C and ambient air temperature of 35 °C.

(2) Data given for compressors only.

(3) Sound levels given at fully loaded conditions. Sound power level values refer to ISO 3744 and Eurovent 8/1. Tolerance ± 2dB.

(4) Sound pressure level values refer to ISO 3744. Tolerance 2dB.

(5) Indicative data. Always refer to dimensions indicated on the drawing.

Physical Data - SLS STD - LN Version (cont'd)

SLS STD LN		4202	4602	4802	5004	5404	5704	6004	6404	6804	7204	8404
Nominal cooling capacity (1)	kW	773.9	854.3	904.7	965.6	1028.0	1097.1	1166.2	1240.8	1351.0	1426.5	1547.8
Power input (2)	kW	306.9	310.3	331.7	377.1	405.1	408.4	411.7	456.0	497.4	538.7	613.7
EER		2.5	2.8	2.7	2.6	2.5	2.7	2.8	2.7	2.7	2.6	2.5
Number of refrigerant circuits		2	2	2	4	4	4	4	4	4	4	4
Number of capacity steps		6				9						
COMPRESSORS												
Number		2	2	2	4	4	4	4	4	4	4	4
Type		Screw										
EVAPORATORS												
Number		1	1	1	2	2	2	2	2	2	2	2
Type		Shell and tube										
Water connections	inches	8	8	8	6	6	6	6	8	8	8	8
Water content per evaporator	litres	462	423	423	184	184	184/222	222	295	295	295	462
CONDENSERS												
Number of coils		4	4	4	8	8	8	8	8	8	8	8
Face area per coil	m ²	6	8	8	8	8	10	12	12	12	12	12
Number of rows		4	4	4	4	4	3/4	3	3	3/4	4	4
FANS												
Number of fans		12	14	14	16	16	20	24	24	24	24	24
Nominal fan speed	rpm	700	700	700	700	700	700	700	700	700	700	700
Total air flow	m ³ /h	149600	187000	187000	187680	187680	250920	314160	314160	306000	299200	299200
Total power	kW	15	17.5	17.5	20	20	25	30	30	30	30	30
WEIGHT												
Shipping weight	kg	8330	10940	10970	10860	10900	12530	14150	15430	15760	16090	16660
Operating weight	kg	8800	11360	11390	11230	11270	12930	14590	16020	16350	16680	17590
SOUND LEVELS												
Sound power levels (3)	dB(A)	94	94	94	95	95	96	97	97	97	97	97
Sound pressure levels at 10 m (4)	dB(A)	62	62	62	63	63	63	64	64	64	64	64
DIMENSIONS (5)												
length	mm	6000	8000	8000	8000	8000	10000	12000	12000	12000	12000	12000
Width	mm	2200	2200	2200	2200	2200	2200	2200	2200	2200	2200	2200
Height	mm	2550	2550	2550	2550	2550	2550	2550	2550	2550	2550	2550

(1) Data based on leaving chilled water temperature of 7 °C and ambient air temperature of 35 °C.

(2) Data given for compressors only.

(3) Sound levels given at fully loaded conditions. Sound power level values refer to ISO 3744 and Eurovent 8/1. Tolerance ± 2dB.

(4) Sound pressure level values refer to ISO 3744. Tolerance 2dB.

(5) Indicative data. Always refer to dimensions indicated on the drawing.

Physical Data - SLS STD - ELN Version

SLS STD ELN		1402	1602	1802	1902	2002	2202	2502	2702	3002	3202	3402	3602
Nominal cooling capacity (1)	kW	275.4	306.6	343.7	386.0	428.2	451.7	482.8	514.0	583.1	620.4	675.5	713.3
Power input (2)	kW	95.7	111.4	125.6	144.3	158.2	174.6	188.6	202.6	205.9	228.0	248.7	269.3
EER		2.9	2.8	2.7	2.7	2.7	2.6	2.6	2.5	2.8	2.7	2.7	2.6
Number of refrigerant circuits		2	2	2	2	2	2	2	2	2	2	2	2
Number of capacity steps		6											
COMPRESSORS													
Number		2	2	2	2	2	2	2	2	2	2	2	2
Type		Screw											
EVAPORATOR													
Number		1	1	1	1	1	1	1	1	1	1	1	1
Type		Shell and tube											
Water connections	inches	5	5	6	6	6	6	6	6	6	8	8	8
Water content per evaporator	litres	114	114	162	162	162	162	184	184	222	295	295	295
CONDENSERS													
Number of coils		4	4	4	4	4	4	4	4	4	4	4	4
Face area per coil	m ²	4	4	4	4	4	4	4	4	6	6	6	6
Number of rows		3	3	3	3	4	4	4	4	3	3	3/4	4
FANS													
Number of fans		4	4	6	7	8	8	8	8	12	12	12	12
Nominal fan speed	rpm	700	700	700	700	700	700	700	700	700	700	700	700
Total air flow	m ³ /h	64600	64600	89624	91732	93840	93840	93840	93840	157080	157080	153000	149600
Total power	kW	5	5	7.5	8.75	10	10	10	10	15	15	15	15
WEIGHT													
Shipping weight	kg	4140	4160	4410	4770	5330	5330	5430	5450	7080	7720	7880	8050
Operating weight	kg	4250	4270	4570	4930	5490	5500	5620	5640	7300	8010	8180	8340
SOUND LEVELS													
Sound power levels (3)	dB(A)	87	87	88	88	88	88	88	88	90	90	90	90
Sound pressure levels at 10 m (4)	dB(A)	55	55	56	56	56	56	56	56	58	58	58	58
DIMENSIONS (5)													
Length	mm	4000	4000	4000	4000	4000	4000	4000	4000	6000	6000	6000	6000
Width	mm	2200	2200	2200	2200	2200	2200	2200	2200	2200	2200	2200	2200
height	mm	2550	2550	2550	2550	2550	2550	2550	2550	2550	2550	2550	2550

(1) Data based on leaving chilled water temperature of 7 °C and ambient air temperature of 35 °C.

(2) Data given for compressors only.

(3) Sound levels given at fully loaded conditions. Sound power level values refer to ISO 3744 and Eurovent 8/1. Tolerance ± 2dB.

(4) Sound pressure level values refer to ISO 3744. Tolerance 2dB.

(5) Indicative data. Always refer to dimensions indicated on the drawing.

Physical Data - SLS STD - ELN Version (cont'd)

SLS STD ELN		4202	4602	4802	5004	5404	5704	6004	6404	6804	7204	8404
Nominal cooling capacity (1)	kW	773.9	854.3	904.7	965.6	1028.0	1097.1	1166.2	1240.8	1351.0	1426.5	1547.8
Power input (2)	kW	306.9	310.3	331.7	377.1	405.1	408.4	411.7	456.0	497.4	538.7	613.7
EER		2.5	2.8	2.7	2.6	2.5	2.7	2.8	2.7	2.7	2.6	2.5
Number of refrigerant circuits		2	2	2	4	4	4	4	4	4	4	4
Number of capacity steps		6			9							
COMPRESSORS												
Number		2	2	2	4	4	4	4	4	4	4	4
Type		Screw										
EVAPORATORS												
Number		1	1	1	2	2	2	2	2	2	2	2
Type		Shell and tube										
Water connections	inches	8	8	8	6	6	6	6	8	8	8	8
Water content per evaporator	litres	462	423	423	184	184	184/222	222	295	295	295	462
CONDENSERS												
Number of coils		4	4	4	8	8	8	8	8	8	8	8
Face area per coil	m ²	6	8	8	8	8	10	12	12	12	12	12
Number of rows		4	4	4	4	4	3/4	3	3	3/4	4	4
FANS												
Number of fans		12	14	14	16	16	20	24	24	24	24	24
Nominal fan speed	rpm	700	700	700	700	700	700	700	700	700	700	700
Total air flow	m ³ /h	149600	187000	187000	187680	187680	250920	314160	314160	306000	299200	299200
Total power	kW	15	17.5	17.5	20	20	25	30	30	30	30	30
WEIGHT												
Shipping weight	kg	8330	10940	10970	10860	10900	12530	14150	15430	15760	16090	16660
Operating weight	kg	8800	11360	11390	11230	11270	12930	14590	16020	16350	16680	17590
SOUND LEVELS												
Sound power levels (3)	dB(A)	90	90	90	91	91	92	93	93	93	93	93
Sound pressure levels at 10 m (4)	dB(A)	58	58	58	59	59	59	60	60	60	60	60
DIMENSIONS (5)												
Length	mm	6000	8000	8000	8000	8000	10000	12000	12000	12000	12000	12000
Width	mm	2200	2200	2200	2200	2200	2200	2200	2200	2200	2200	2200
Height	mm	2550	2550	2550	2550	2550	2550	2550	2550	2550	2550	2550

(1) Data based on leaving chilled water temperature of 7 °C and ambient air temperature of 35 °C.

(2) Data given for compressors only.

(3) Sound levels given at fully loaded conditions. Sound power level values refer to ISO 3744 and Eurovent 8/1. Tolerance ± 2dB.

(4) Sound pressure level values refer to ISO 3744. Tolerance 2dB.

(5) Indicative data. Always refer to dimensions indicated on the drawing.

Physical Data - SLS STD with Total Heat Recovery

SLS STD		1402	1602	1802	1902	2002	2202	2502
Nominal cooling capacity (1)	kW	304.7	339.2	380.2	427.0	473.7	499.7	534.1
Power input (1) (2)	kW	84.0	97.7	110.2	126.6	138.8	153.2	165.4
Heat rejection (1)	kW	369.3	415.1	465.9	525.9	581.9	620.2	664.6
EER		3.6	3.5	3.5	3.4	3.4	3.3	3.2
Number of refrigerant circuits		2	2	2	2	2	2	2
Number of capacity steps		6						
COMPRESSORS								
Number		2	2	2	2	2	2	2
Type		Screw						
EVAPORATOR								
Number		1	1	1	1	1	1	1
Type		Shell and tube						
Water connections diameter - Inlet/Outlet	inches	5	5	6	6	6	6	6
Connection type		To be welded						
Water content per evaporator	litres	114	114	162	162	162	162	184
HEAT RECOVERY CONDENSERS								
Number		2	2	2	2	2	2	2
Type		Shell and tube						
Water connections diameter - Inlet/Outlet	inches	2"1/2	2"1/2	2"1/2	3"	3"	3"	3"
Connection type		Female gas threaded						
Water content per condenser	litres	15	17	17	28	28	31	31
WEIGHT								
Shipping weight	kg	4300	4340	4660	5180	5740	5770	5870
Operating weight	kg	4440	4490	4860	5400	5960	6000	6120
DIMENSIONS (3)								
Length	mm	4000	4000	4000	4000	4000	4000	4000
Width	mm	2200	2200	2200	2200	2200	2200	2200
Height	mm	2550	2550	2550	2550	2550	2550	2550

(1) Data based on leaving chilled water temperature of 7 °C and condenser leaving water temperature of 45 °C.

(2) Data given for compressors only.

(3) Indicative data. Always refer to dimensions indicated on the drawing.

Physical Data - SLS STD with Total Heat Recovery (cont'd)

SLS STD		2702	3002	3202	3402	3602	4202	4602	4802
Nominal cooling capacity (1)	kW	568.7	645.1	686.4	747.3	789.2	856.2	945.2	1000.9
Power input (1) (2)	kW	177.7	180.6	200.0	218.2	236.3	269.2	272.2	291.0
Heat rejection (1)	kW	709.1	784.4	842.1	917.2	974.2	1069.2	1156.5	1227.3
EER		3.2	3.6	3.4	3.4	3.3	3.2	3.5	3.4
Number of refrigerant circuits		2	2	2	2	2	2	2	2
Number of capacity steps		6							
COMPRESSORS									
Number		2	2	2	2	2	2	2	2
Type		Screw							
EVAPORATOR									
Number		1	1	1	1	1	1	1	1
Type		Shell and tube							
Water connections diameter - Inlet/Outlet	inches	6	6	8	8	8	8	8	8
Connection type		To be welded							
Water content per evaporator	litres	184	222	295	295	295	462	423	423
HEAT RECOVERY CONDENSERS									
Number		2	2	2	2	2	2	2	2
Type		Shell and tube							
Water connections diameter - Inlet/Outlet	inches	3"	4"	4"	4"	4"	4"	5"	5"
Connection type		Female gas threaded							
Water content per condenser	litres	31	48	48	48	48	48	52	52
WEIGHT									
Shipping weight	kg	5890	7710	8350	8520	8680	8970	11830	11860
Operating weight	kg	6140	8030	8740	8910	9070	9530	12360	12390
DIMENSIONS (3)									
Length	mm	4000	6000	6000	6000	6000	6000	8000	8000
Width	mm	2200	2200	2200	2200	2200	2200	2200	2200
Height	mm	2550	2550	2550	2550	2550	2550	2550	2550

(1) Data based on leaving chilled water temperature of 7 °C and condenser leaving water temperature of 45 °C.

(2) Data given for compressors only.

(3) Indicative data. Always refer to dimensions indicated on the drawing.

Physical Data - SLS HE - BLN Version

SLS HE BLN		1402	1602	1802	1902	2002	2402	2602	2802	3002	3202	3402	3602
Nominal cooling capacity (1)	kW	304.0	338.0	378.0	425.0	467.2	531.0	571.0	604.0	646.4	705.6	778.0	840.0
Power input (2)	kW	85.8	99.5	116.3	132.7	143.3	154.9	163.1	171.2	188.9	193.8	214.4	234.9
EER		3.5	3.4	3.3	3.2	3.3	3.4	3.5	3.5	3.4	3.6	3.6	3.6
Number of refrigerant circuits		2	2	2	2	2	2	2	2	2	2	2	2
Number of capacity steps		6											
COMPRESSORS													
Number		2	2	2	2	2	2	2	2	2	2	2	2
Type		Screw											
EVAPORATOR													
Number		1	1	1	1	1	1	1	1	1	1	1	1
Type		Shell and tube											
Water connections	inches	5	5	6	6	6	6	6	6	8	8	8	8
Water content per evaporator	litres	114	114	162	162	162	184	222	222	295	295	295	295
CONDENSERS													
Number of coils		4	4	4	4	4	4	4	4	4	8	8	8
Face area per coil	m ²	4	4	4	4	6	6	6	6	6	8	8	8
Number of rows		3	3	3	3/4	3	3	3/4	4	4	4	4	4
FANS													
Number of fans		6	6	8	8	8	10	10	10	12	14	14	16
Nominal fan speed	rpm	900	900	900	900	900	900	900	900	900	900	900	900
Total air flow	m ³ /h	134000	134000	150000	144000	172400	216000	210000	204000	220000	275000	275000	286800
Total power	kW	10.8	10.8	14.4	14.4	14.4	18	18	18	21.6	25.2	25.2	28.8
WEIGHT													
Shipping weight	kg	4090	4110	4360	4790	6170	6340	6580	6760	7470	10370	10400	10500
Operating weight	kg	4210	4230	4530	4950	6330	6530	6800	6980	7770	10670	10690	10790
SOUND LEVELS													
Sound power levels (3)	dB(A)	97	97	98	98	98	99	99	99	100	100	100	101
Sound pressure levels at 10 m (4)	dB(A)	65	65	66	66	66	67	67	67	68	68	68	69
DIMENSIONS (5)													
Length	mm	4000	4000	4000	4000	6000	6000	6000	6000	6000	8000	8000	8000
Width	mm	2200	2200	2200	2200	2200	2200	2200	2200	2200	2200	2200	2200
Height	mm	2550	2550	2550	2550	2550	2550	2550	2550	2550	2550	2550	2550

(1) Data based on leaving chilled water temperature of 7 °C and ambient air temperature of 35 °C.

(2) Data given for compressors only.

(3) Sound levels given at fully loaded conditions. Sound power level values refer to ISO 3744 and Eurovent 8/1. Tolerance ± 2dB.

(4) Sound pressure level values refer to ISO 3744. Tolerance 2dB.

(5) Indicative data. Always refer to dimensions indicated on the drawing.

Physical Data - SLS HE - BLN Version (cont'd)

SLS HE BLN		4202	4602	4802	4804	5204	5604	6004	6404	6804	7204	7804	8404
Nominal cooling capacity (1)	kW	894.0	933.0	989.0	1062.0	1142.0	1208.0	1292.8	1406.4	1482.2	1557.9	1637.2	1686.9
Power input (2)	kW	266.3	280.2	298.5	309.8	326.2	342.4	377.8	419.8	467	514.2	543.3	575.0
EER		3.4	3.3	3.3	3.4	3.5	3.5	3.4	3.4	3.2	3.0	3.0	2.9
Number of refrigerant circuits		2	2	2	4	4	4	4	4	4	4	4	4
Number of capacity steps		6				9							
COMPRESSORS													
Number		2	2	2	4	4	4	4	4	4	4	4	4
Type		Screw											
EVAPORATOR													
Number		1	1	1	2	2	2	2	2	2	2	2	2
Type		Shell and tube											
Water connections	inches	8	8	8	6	6	6	8	8	8	8	8	8
Water content per evaporator	litres	462	423	423	184	222	222	295	462	462	462	423	423
CONDENSERS													
Number of coils		8	8	8	8	8	8	8	8	8	8	8	8
Face area per coil	m ²	8	8	8	12	12	12	12	12	12	12	12	12
Number of rows		4	5	5	3	3/4	4	4	4	4	4	4	4
FANS													
Number of fans		16	16	16	20	20	20	24	24	24	24	24	24
Nominal fan speed	rpm	900	900	900	900	900	900	900	900	900	900	900	900
Total air flow	m ³ /h	286000	265000	265000	432000	420000	408000	440000	440000	440000	440000	440000	440000
Total power	kW	28.8	28.8	28.8	36	36	36	43.2	43.2	43.2	43.2	43.2	43.2
WEIGHT													
Shipping weight	kg	10790	11240	11270	12680	13160	13510	14940	16050	16100	16140	16480	16610
Operating weight	kg	11250	11700	11730	13050	13600	13960	15530	16980	17020	17060	17330	17460
SOUND LEVELS													
Sound power levels (3)	dB(A)	101	101	101	102	102	102	103	103	103	103	103	103
Sound pressure levels at 10 m (4)	dB(A)	69	69	69	69	69	69	70	70	70	70	70	70
DIMENSIONS (5)													
Length	mm	8000	8000	8000	12000	12000	12000	12000	12000	12000	12000	12000	12000
Width	mm	2200	2200	2200	2200	2200	2200	2200	2200	2200	2200	2200	2200
Height	mm	2550	2550	2550	2550	2550	2550	2550	2550	2550	2550	2550	2550

(1) Data based on leaving chilled water temperature of 7 °C and ambient air temperature of 35 °C.

(2) Data given for compressors only.

(3) Sound levels given at fully loaded conditions. Sound power level values refer to ISO 3744 and Eurovent 8/1. Tolerance ± 2dB.

(4) Sound pressure level values refer to ISO 3744. Tolerance 2dB.

(5) Indicative data. Always refer to dimensions indicated on the drawing.

Physical Data - SLS HE - LN Version

SLS HE LN		1402	1602	1802	1902	2002	2402	2602	2802	3002	3202	3402	3602
Nominal cooling capacity (1)	kW	291.8	324.5	362.9	408.0	448.5	509.8	548.2	579.8	620.5	677.4	746.9	806.4
Power input (2)	kW	90.9	105.5	123.3	140.7	151.9	164.2	172.9	181.5	200.2	205.4	227.3	249.0
EER		3.2	3.1	2.9	2.9	3.0	3.1	3.2	3.2	3.1	3.3	3.3	3.2
Number of refrigerant circuits		2	2	2	2	2	2	2	2	2	2	2	2
Number of capacity steps		6											
COMPRESSORS													
Number		2	2	2	2	2	2	2	2	2	2	2	2
Type		Screw											
EVAPORATOR													
Number		1	1	1	1	1	1	1	1	1	1	1	1
Type		Shell and tube											
Water connections	inches	5	5	6	6	6	6	6	6	8	8	8	8
Water content per evaporator	litres	114	114	162	162	162	184	222	222	295	295	295	295
CONDENSERS													
Number of coils		4	4	4	4	4	4	4	4	4	8	8	8
Face area per coil	m ²	4	4	4	4	6	6	6	6	6	8	8	8
Number of rows		3	3	3	3/4	3	3	3/4	4	4	4	4	4
FANS													
Number of fans		6	6	8	8	8	10	10	10	12	14	14	16
Nominal fan speed	rpm	700	700	700	700	700	700	700	700	700	700	700	700
Total air flow	m ³ /h	91120	91120	102000	97920	117232	146880	142800	138720	149600	187000	187000	195024
Total power	kW	7.5	7.5	10	10	10	12.5	12.5	12.5	15	17.5	17.5	20
WEIGHT													
Shipping weight	kg	4210	4230	4480	4910	6290	6460	6700	6880	7590	10490	10520	10620
Operating weight	kg	4330	4350	4650	5070	6450	6650	6920	7100	7890	10790	10810	10910
SOUND LEVELS													
Sound power levels (3)	dB(A)	92	92	92	92	92	93	93	93	94	94	94	95
Sound pressure levels at 10 m (4)	dB(A)	60	60	60	60	60	61	61	61	62	62	62	63
DIMENSIONS (5)													
Length	mm	4000	4000	4000	4000	6000	6000	6000	6000	6000	8000	8000	8000
Width	mm	2200	2200	2200	2200	2200	2200	2200	2200	2200	2200	2200	2200
Height	mm	2550	2550	2550	2550	2550	2550	2550	2550	2550	2550	2550	2550

(1) Data based on leaving chilled water temperature of 7 °C and ambient air temperature of 35 °C.

(2) Data given for compressors only.

(3) Sound levels given at fully loaded conditions. Sound power level values refer to ISO 3744 and Eurovent 8/1. Tolerance ± 2dB.

(4) Sound pressure level values refer to ISO 3744. Tolerance 2dB.

(5) Indicative data. Always refer to dimensions indicated on the drawing.

Physical Data - SLS HE - LN Version (cont'd)

SLS HE LN		4202	4602	4802	4804	5204	5604	6004	6404	6804	7204	7804	8404
Nominal cooling capacity (1)	kW	858.2	895.7	949.4	1019.5	1096.3	1159.7	1241.1	1350.1	1422.9	1495.6	1571.7	1619.4
Power input (2)	kW	282.3	297.0	316.4	328.4	345.8	362.9	400.5	445.0	495.0	545.1	575.9	609.5
EER		3.0	3.0	3.0	3.1	3.2	3.2	3.1	3.0	2.9	2.7	2.7	2.7
Number of refrigerant circuits		2	2	2	4	4	4	4	4	4	4	4	4
Number of capacity steps		6			9								
COMPRESSORS													
Number		2	2	2	4	4	4	4	4	4	4	4	4
Type		Screw											
EVAPORATOR													
Number		1	1	1	2	2	2	2	2	2	2	2	2
Type		Shell and tube											
Water connections	inches	8	8	8	6	6	6	8	8	8	8	8	8
Water content per evaporator	litres	462	423	423	184	222	222	295	462	462	462	423	423
CONDENSERS													
Number of coils		8	8	8	8	8	8	8	8	8	8	8	8
Face area per coil	m ²	8	8	8	12	12	12	12	12	12	12	12	12
Number of rows		4	5	5	3	3/4	4	4	4	4	4	4	4
FANS													
Number of fans		16	16	16	20	20	20	24	24	24	24	24	24
Nominal fan speed	rpm	700	700	700	700	700	700	700	700	700	700	700	700
Total air flow	m ³ /h	194480	180200	180200	293760	285600	277440	299200	299200	299200	299200	299200	299200
Total power	kW	20	20	20	25	25	25	30	30	30	30	30	30
WEIGHT													
Shipping weight	kg	10910	11360	11390	12920	13400	13750	15180	16290	16340	16380	16720	16850
Operating weight	kg	11370	11820	11850	13290	13840	14200	15770	17220	17260	17300	17570	17700
SOUND LEVELS													
Sound power levels (3)	dB(A)	95	95	95	96	96	96	97	97	97	97	97	97
Sound pressure levels at 10 m (4)	dB(A)	63	63	63	63	63	63	64	64	64	64	64	64
DIMENSIONS (5)													
Length	mm	8000	8000	8000	12000	12000	12000	12000	12000	12000	12000	12000	12000
Width	mm	2200	2200	2200	2200	2200	2200	2200	2200	2200	2200	2200	2200
Height	mm	2550	2550	2550	2550	2550	2550	2550	2550	2550	2550	2550	2550

(1) Data based on leaving chilled water temperature of 7 °C and ambient air temperature of 35 °C.

(2) Data given for compressors only.

(3) Sound levels given at fully loaded conditions. Sound power level values refer to ISO 3744 and Eurovent 8/1. Tolerance ± 2dB.

(4) Sound pressure level values refer to ISO 3744. Tolerance 2dB.

(5) Indicative data. Always refer to dimensions indicated on the drawing.

Physical Data - SLS HE - ELN Version

SLS HE ELN		1402	1602	1802	1902	2002	2402	2602	2802	3002	3202	3402	3602
Nominal cooling capacity (1)	kW	291.8	324.5	362.9	408.0	448.5	509.8	548.2	579.8	620.5	677.4	746.9	806.4
Power input (2)	kW	90.9	105.5	123.3	140.7	151.9	164.2	172.9	181.5	200.2	205.4	227.3	249.0
EER		3.2	3.1	2.9	2.9	3.0	3.1	3.2	3.2	3.1	3.3	3.3	3.2
Number of refrigerant circuits		2	2	2	2	2	2	2	2	2	2	2	2
Number of capacity steps		6											
COMPRESSORS													
Number		2	2	2	2	2	2	2	2	2	2	2	2
Type		Screw											
EVAPORATORS													
Number		1	1	1	1	1	1	1	1	1	1	1	1
Type		Shell and tube											
Water connections	inches	5	5	6	6	6	6	6	6	8	8	8	8
Water content per evaporator	litres	114	114	162	162	162	184	222	222	295	295	295	295
CONDENSERS													
Number of coils		4	4	4	4	4	4	4	4	4	8	8	8
Face area per coil	m ²	4	4	4	4	6	6	6	6	6	8	8	8
Number of rows		3	3	3	3/4	3	3	3/4	4	4	4	4	4
FANS													
Number of fans		6	6	8	8	8	10	10	10	12	14	14	16
Nominal fan speed	rpm	700	700	700	700	700	700	700	700	700	700	700	700
Total air flow	m ³ /h	91120	91120	102000	97920	117232	146880	142800	138720	149600	187000	187000	195024
Total power	kW	7.5	7.5	10	10	10	12.5	12.5	12.5	15	17.5	17.5	20
WEIGHT													
Shipping weight	kg	4210	4230	4480	4910	6290	6460	6700	6880	7590	10490	10520	10620
Operating weight	kg	4330	4350	4650	5070	6450	6650	6920	7100	7890	10790	10810	10910
SOUND LEVELS													
Sound power levels (3)	dB(A)	86	86	87	87	87	87	87	87	88	88	88	89
Sound pressure levels at 10 m (4)	dB(A)	54	54	55	55	55	55	55	55	56	56	56	57
DIMENSIONS (5)													
Length	mm	4000	4000	4000	4000	6000	6000	6000	6000	6000	8000	8000	8000
Width	mm	2200	2200	2200	2200	2200	2200	2200	2200	2200	2200	2200	2200
Height	mm	2550	2550	2550	2550	2550	2550	2550	2550	2550	2550	2550	2550

(1) Data based on leaving chilled water temperature of 7 °C and ambient air temperature of 35 °C.

(2) Data given for compressors only.

(3) Sound levels given at fully loaded conditions. Sound power level values refer to ISO 3744 and Eurovent 8/1. Tolerance ± 2dB.

(4) Sound pressure level values refer to ISO 3744. Tolerance 2dB.

(5) Indicative data. Always refer to dimensions indicated on the drawing.

Physical Data - SLS HE - ELN Version (cont'd)

SLS HE ELN		4202	4602	4802	4804	5204	5604	6004	6404	6804	7204	7804	8404
Nominal cooling capacity (1)	kW	858.2	895.7	949.4	1019.5	1096.3	1159.7	1241.1	1350.1	1422.9	1495.6	1571.7	1619.4
Power input (2)	kW	282.3	297.0	316.4	328.4	345.8	362.9	400.5	445.0	495.0	545.1	575.9	609.5
EER		3.0	3.0	3.0	3.1	3.2	3.2	3.1	3.0	2.9	2.7	2.7	2.7
Number of refrigerant circuits		2	2	2	4	4	4	4	4	4	4	4	4
Number of capacity steps		6			9								
COMPRESSORS													
Number		2	2	2	4	4	4	4	4	4	4	4	4
Type		Screw											
EVAPORATORS													
Number		1	1	1	2	2	2	2	2	2	2	2	2
Type		Shell and tube											
Water connections	inches	8	8	8	6	6	6	8	8	8	8	8	8
Water content per evaporator	litres	462	423	423	184	222	222	295	462	462	462	423	423
CONDENSERS													
Number of coils		8	8	8	8	8	8	8	8	8	8	8	8
Face area per coil	m ²	8	8	8	12	12	12	12	12	12	12	12	12
Number of rows		4	5	5	3	3/4	4	4	4	4	4	4	4
FANS													
Number of fans		16	16	16	20	20	20	24	24	24	24	24	24
Nominal fan speed	rpm	700	700	700	700	700	700	700	700	700	700	700	700
Total air flow	m ³ /h	194480	180200	180200	293760	285600	277440	299200	299200	299200	299200	299200	299200
Total power	kW	20	20	20	25	25	25	30	30	30	30	30	30
WEIGHT													
Shipping weight	kg	10910	11360	11390	12920	13400	13750	15180	16290	16340	16380	16720	16850
Operating weight	kg	11370	11820	11850	13290	13840	14200	15770	17220	17260	17300	17570	17700
SOUND LEVELS													
Sound power levels (3)	dB(A)	89	89	89	90	90	90	91	91	93	93	93	93
Sound pressure levels at 10 m (4)	dB(A)	57	57	57	57	57	57	58	58	60	60	60	60
DIMENSIONS (5)													
Length	mm	8000	8000	8000	12000	12000	12000	12000	12000	12000	12000	12000	12000
Width	mm	2200	2200	2200	2200	2200	2200	2200	2200	2200	2200	2200	2200
Height	mm	2550	2550	2550	2550	2550	2550	2550	2550	2550	2550	2550	2550

(1) Data based on leaving chilled water temperature of 7 °C and ambient air temperature of 35 °C.

(2) Data given for compressors only.

(3) Sound levels given at fully loaded conditions. Sound power level values refer to ISO 3744 and Eurovent 8/1. Tolerance ± 2dB.

(4) Sound pressure level values refer to ISO 3744. Tolerance 2dB.

(5) Indicative data. Always refer to dimensions indicated on the drawing.

Physical Data - SLS HE with Total Heat Recovery

SLS HE		1402	1602	1802	1902	2002	2402	2602	2802
Nominal cooling capacity (1)	kW	304.7	339.2	380.2	427.0	485.9	533.5	580.1	628.2
Power input (1) (2)	kW	84.0	97.7	110.2	126.6	133.3	147.2	154.9	162.6
Heat rejection (1)		369.3	415.1	465.9	525.9	588.2	646.6	698.3	751.3
EER		3.6	3.5	3.5	3.4	3.6	3.6	3.7	3.9
Number of refrigerant circuits		2	2	2	2	2	2	2	2
Number of capacity steps		6							
COMPRESSORS									
Number		2	2	2	2	2	2	2	2
Type		Screw							
EVAPORATOR									
Number		1	1	1	1	1	1	1	1
Type		Shell and tube							
Water connections diameter - Inlet/Outlet	inches	5	5	6	6	6	6	6	6
Connection type		To be welded							
Water content per evaporator	litres	114	114	162	162	162	184	222	222
HEAT RECOVERY CONDENSERS									
Number		2	2	2	2	2	2	2	2
Type		Shell and tube							
Water connections diameter - Inlet/Outlet	inches	2"1/2	2"1/2	2"1/2	3"	3"	3"	3"	3"
Connection type		Female gas threaded							
Water content per condenser	litres	15	17	17	28	32	34	36	36
WEIGHT									
Shipping weight	kg	4370	4420	4740	5320	6730	6920	7170	7340
Operating weight	kg	4520	4560	4930	5540	6950	7170	7460	7640
DIMENSIONS (3)									
Length	mm	4000	4000	4000	4000	6000	6000	6000	6000
Width	mm	2200	2200	2200	2200	2200	2200	2200	2200
Height	mm	2550	2550	2550	2550	2550	2550	2550	2550

(1) Data based on leaving chilled water temperature of 7 °C and condenser leaving water temperature of 45 °C.

(2) Data given for compressors only.

(3) Indicative data. Always refer to dimensions indicated on the drawing.

Physical Data - SLS HE with Total Heat Recovery (cont'd)

SLS HE		3002	3202	3402	3602	4202	4602	4802
Nominal cooling capacity (1)	kW	672.3	686.4	747.3	873.6	929.8	945.2	1000.9
Power input (1) (2)	kW	175.7	200.0	218.2	218.5	247.7	272.2	291.0
Heat rejection (1)	kW	805.5	842.1	917.2	1037.5	1118.5	1156.5	1227.3
EER		3.8	3.4	3.4	4.0	3.8	3.5	3.4
Number of refrigerant circuits		2	2	2	2	2	2	2
Number of capacity steps		6						
COMPRESSORS								
Number		2	2	2	2	2	2	2
Type		Screw						
EVAPORATOR								
Number		1	1	1	1	1	1	1
Type		Shell and tube						
Water connections diameter - Inlet/Outlet	inches	8	8	8	8	8	8	8
Connection type		To be welded						
Water content per evaporator	litres	295	295	295	295	462	423	423
HEAT RECOVERY CONDENSERS								
Number		2	2	2	2	2	2	2
Type		Shell and tube						
Water connections diameter - Inlet/Outlet	inches	3"	4"	4"	5"	5"	5"	5"
Connection type		Female gas threaded						
Water content per condenser	litres	36	48	48	52	52	52	52
WEIGHT								
Shipping weight	kg	8060	11130	11150	11510	11800	12290	12320
Operating weight	kg	8420	11520	11540	11910	12370	12820	12850
DIMENSIONS (3)								
Length	mm	6000	8000	8000	8000	8000	8000	8000
Width	mm	2200	2200	2200	2200	2200	2200	2200
Height	mm	2550	2550	2550	2550	2550	2550	2550

(1) Data based on leaving chilled water temperature of 7 °C and condenser leaving water temperature of 45 °C.

(2) Data given for compressors only.

(3) Indicative data. Always refer to dimensions indicated on the drawing.

Electrical Data - SLS STD

Compressors - 400 V/50 Hz ± 10%

SLS STD	Circuits	Starting type	Power input at nominal conditions (kW)	Current input at nominal conditions (A)	Power input at max. conditions (kW)	Current input at max. conditions FLA (A)	Starting current LRA (A)	Crankcase heater 230 V/1 Ph (W)
1402	1	P/W	37	66	78	124	290	200
	2	P/W	37	66	78	124	290	200
1602	1	P/W	55	93	88	144	350	200
	2	P/W	55	93	88	144	350	200
1802	1	P/W	63	103	96	162	423	200
	2	P/W	63	103	96	162	423	200
1902	1	P/W	63	103	96	162	423	200
	2	P/W	79	133	110	180	520	300
2002	1	P/W	79	133	110	180	520	300
	2	P/W	79	133	110	180	520	300
2202	1	Y/Δ	87	146	120	215	314	300
	2	Y/Δ	87	146	120	215	314	300
2502	1	Y/Δ	87	146	120	215	314	300
	2	Y/Δ	97	164	131	231	341	300
2702	1	Y/Δ	97	164	131	231	341	300
	2	Y/Δ	97	164	131	231	341	300
3002	1	Y/Δ	97	164	131	231	341	300
	2	Y/Δ	114	187	155	280	436	300
3202	1	Y/Δ	111	189	153	260	374	200
	2	Y/Δ	111	189	153	260	374	200
3402	1	Y/Δ	111	189	153	260	374	200
	2	Y/Δ	125	213	174	295	453	200
3602	1	Y/Δ	125	213	174	295	453	200
	2	Y/Δ	125	213	174	295	453	200
4202	1	Y/Δ	132	224	183	310	543	200
	2	Y/Δ	132	224	183	310	543	200
4602	1	Y/Δ	149	246	204	310	586	300
	2	Y/Δ	166	273	222	360	650	300
4802	1	Y/Δ	166	273	222	360	650	300
	2	Y/Δ	166	273	222	360	650	300

Fans - SLS STD BLN

Sizes	1402	1602	1802	1902	2002	2202	2502	2702	3002	3202	3402	3602	4202	4602	4802
Number	4	4	6	7	8	8	8	8	12	12	12	12	12	14	14
Nominal power per fan kW	2	2	2	2	2	2	2	2	2	2	2	2	2	2	2
Max. running current per fan A	4	4	4	4	4	4	4	4	4	4	4	4	4	4	4
Total power kW	8	8	12	14	16	16	16	16	24	24	24	24	24	28	28
Total maximum current A	16	16	24	28	32	32	32	32	48	48	48	48	48	56	56

Fans - SLS STD LN-ELN

Sizes	1402	1602	1802	1902	2002	2202	2502	2702	3002	3202	3402	3602	4202	4602	4802
Number	4	4	6	7	8	8	8	8	12	12	12	12	12	14	14
Nominal power per fan kW	1.25	1.25	1.25	1.25	1.25	1.25	1.25	1.25	1.25	1.25	1.25	1.25	1.25	1.25	1.25
Max. running current per fan A	2.3	2.3	2.3	2.3	2.3	2.3	2.3	2.3	2.3	2.3	2.3	2.3	2.3	2.3	2.3
Total power kW	5	5	7.5	8.75	10	10	10	10	15	15	15	15	15	17.5	17.5
Total maximum current A	9.2	9.2	13.8	16.1	18.4	18.4	18.4	18.4	27.6	27.6	27.6	27.6	27.6	32.2	32.2

Units - SLS STD BLN

Sizes	1402	1602	1802	1902	2002	2202	2502	2702	3002	3202	3402	3602	4202	4602	4802
Nominal current input A	148	202	230	264	298	324	342	360	376	425	449	473	497	575	602
Maximum current input A	264	304	348	370	392	462	478	494	510	568	603	638	668	726	776
Nominal power input kW	82	118	138	156	174	190	200	210	218	246	260	274	288	343	360
Maximum power input kW	164	184	204	220	236	256	267	278	286	330	351	371	389	454	472
Maximum starting current A	393	467	560	661	678	497	524	535	646	604	683	708	808	923	958
Unit aM fuses A	315	315	400	400	400	500	500	500	630	630	800	800	800	800	800
Phase cable cross section mm ²	240	240	2 x 120	2 x 120	2 x 120	2 x 185	2 x 185	2 x 185	2 x 240	2 x 240	2 x 300	2 x 300	2 x 300	2 x 300	2 x 300

Units - SLS STD LN-ELN

Sizes	1402	1602	1802	1902	2002	2202	2502	2702	3002	3202	3402	3602	4202	4602	4802
Nominal current input A	141	195	220	252	284	310	328	346	356	405	429	453	476	551	578
Maximum current input A	257	297	338	358	378	448	464	480	490	548	583	618	648	702	752
Nominal power input kW	79	115	134	151	168	184	194	204	209	237	251	265	279	333	350
Maximum power input kW	161	181	200	215	230	250	261	272	277	321	342	362	380	444	462
Maximum starting current A	386	460	550	650	664	483	510	521	625	584	663	687	788	899	934
Unit aM fuses A	315	315	400	400	400	500	500	500	630	630	800	800	800	800	800
Phase cable cross section mm ²	240	240	2 x 120	2 x 120	2 x 120	2 x 185	2 x 185	2 x 185	2 x 240	2x240	2 x 300	2 x 300	2 x 300	2 x 300	2 x 300

Electrical Data - SLS STD (cont'd)

Compressors - 400 V/50 Hz \pm 10%

SLS STD	Twin units	Circuits	Starting type	Power input at nominal conditions (kW)	Current input at nominal conditions (A)	Power input at max. conditions (kW)	Current input at max. conditions FLA (A)	Starting current LRA (A)	Crankcase heater 230 V/1 Ph (W)
5004	2502	1	Y/ Δ	87	146	120	215	314	300
		2	Y/ Δ	97	164	131	231	341	300
	2502	3	Y/ Δ	87	146	120	215	314	300
		4	Y/ Δ	97	164	131	231	341	300
5404	2702	1	Y/ Δ	97	164	131	231	341	300
		2	Y/ Δ	97	164	131	231	341	300
	2702	1	Y/ Δ	97	164	131	231	341	300
		2	Y/ Δ	97	164	131	231	341	300
5704	2702	1	Y/ Δ	97	164	131	231	341	300
		2	Y/ Δ	97	164	131	231	341	300
	3002	3	Y/ Δ	97	164	131	231	341	300
		4	Y/ Δ	114	187	155	280	436	300
6004	3002	1	Y/ Δ	97	164	131	231	341	300
		2	Y/ Δ	114	187	155	280	436	300
	3002	3	Y/ Δ	97	164	131	231	341	300
		4	Y/ Δ	114	187	155	280	436	300
6404	3202	1	Y/ Δ	111	189	153	260	374	200
		2	Y/ Δ	111	189	153	260	374	200
	3202	1	Y/ Δ	111	189	153	260	374	200
		2	Y/ Δ	111	189	153	260	374	200
6804	3402	1	Y/ Δ	111	189	153	260	374	200
		2	Y/ Δ	125	213	174	295	453	200
	3402	1	Y/ Δ	111	189	153	260	374	200
		2	Y/ Δ	125	213	174	295	453	200
7204	3602	1	Y/ Δ	125	213	174	295	453	200
		2	Y/ Δ	125	213	174	295	453	200
	3602	1	Y/ Δ	125	213	174	295	453	200
		2	Y/ Δ	125	213	174	295	453	200
8404	4202	1	Y/ Δ	132	224	183	310	543	200
		2	Y/ Δ	132	224	183	310	543	200
	4202	1	Y/ Δ	132	224	183	310	543	200
		2	Y/ Δ	132	224	183	310	543	200

Fans - SLS STD BLN

Sizes	5004		5404		5704		6004		6404		6804		7204		8404	
	2502	2502	2702	2702	2702	3002	3002	3002	3202	3202	3402	3402	3602	3602	4202	4202
Number	8	8	8	8	8	12	12	12	12	12	12	12	12	12	12	12
Nominal power per fan	kW		2	2	2	2	2	2	2	2	2	2	2	2	2	2
Max. running current per fan	A		4	4	4	4	4	4	4	4	4	4	4	4	4	4
Total power	kW		16	16	16	24	24	24	24	24	24	24	24	24	24	24
Total maximum current	A		32	32	32	48	48	48	48	48	48	48	48	48	48	48

Fans - SLS STD LN-ELN

Sizes	5004		5404		5704		6004		6404		6804		7204		8404	
	2502	2502	2702	2702	2702	3002	3002	3002	3202	3202	3402	3402	3602	3602	4202	4202
Number	8	8	8	8	8	12	12	12	12	12	12	12	12	12	12	12
Nominal power per fan	kW		1.25	1.25	1.25	1.25	1.25	1.25	1.25	1.25	1.25	1.25	1.25	1.25	1.25	1.25
Max. running current per fan	A		2.3	2.3	2.3	2.3	2.3	2.3	2.3	2.3	2.3	2.3	2.3	2.3	2.3	2.3
Total power	kW		10	10	10	15	15	15	15	15	15	15	15	15	15	15
Total maximum current	A		18.4	18.4	18.4	27.6	27.6	27.6	27.6	27.6	27.6	27.6	27.6	27.6	27.6	27.6

Electrical Data - SLS STD (cont'd)

Units - SLS STD BLN

Sizes		5004		5404		5704		6004		6404		6804		7204		8404	
		2502	2502	2702	2702	2702	3002	3002	3002	3202	3202	3402	3402	3602	3602	4202	4202
Nominal current input	A	342	342	360	360	360	399	399	399	425	425	449	449	473	473	497	497
Maximum current input	A	478	478	494	494	494	559	559	559	568	568	603	603	638	638	668	668
Total maximum current input	A	956		988		1053		1118		1136		1206		1276		1336	
Nominal power input	kW	200	200	210	210	210	235	235	235	246	246	260	260	274	274	288	288
Maximum power input	kW	267	267	278	278	278	310	310	310	330	330	351	351	371	371	389	389
Total maximum power input	kW	534		556		588		620		660		702		743		778	
Maximum starting current	A	524	497	535	535	535	551	646	646	604	604	683	683	708	708	808	808
Total starting current	A	868		890		985		1051		1016		1120		1169		1290	
Unit aM fuses	A																
Phase cable cross section	mm ²																

Units - STD LN-ELN

Sizes		5004		5404		5704		6004		6404		6804		7204		8404	
		2502	2502	2702	2702	2702	3002	3002	3002	3202	3202	3402	3402	3602	3602	4202	4202
Nominal current input	A	328	328	346	346	346	379	379	379	405	405	429	429	453	453	476	476
Maximum current input	A	464	464	480	480	480	539	539	539	548	548	583	583	618	618	648	648
Total maximum current input	A	929		961		1019		1077		1095		1165		1235		1295	
Nominal power input	kW	194	194	204	204	204	226	226	226	237	237	251	251	265	265	279	279
Maximum power input	kW	261	261	272	272	272	301	301	301	321	321	342	342	362	362	380	380
Total maximum power input	kW	522		544		573		602		642		684		725		760	
Maximum starting current	A	510	510	521	521	521	625	625	625	584	584	663	663	687	687	788	788
Total starting current	A	841		863		958		1011		975		1079		1128		1249	
Unit aM fuses	A	500	500	500	500	500	630	630	630	630	630	800	800	800	800	800	800
Phase cable cross section	mm ²	2 x 185	2 x 185	2 x 185	2 x 185	2 x 185	2 x 240	2 x 240	2 x 240	2 x 240	2 x 240	2 x 300	2 x 300	2 x 300	2 x 300	2 x 300	2 x 300

Electrical Data - SLS HE

Compressors - 400 V/50 Hz ± 10%

SLS HE	Circuits	Starting type	Power input at nominal conditions (kW)	Current input at nominal conditions (A)	Power input at max. conditions (kW)	Current input at max. conditions FLA (A)	Starting current LRA (A)	Crankcase heater 230 V/1 Ph (W)
1402	1	P/W	37	66	78	124	290	200
	2	P/W	37	66	78	124	290	200
1602	1	P/W	55	93	88	144	350	200
	2	P/W	55	93	88	144	350	200
1802	1	P/W	63	103	96	162	423	200
	2	P/W	63	103	96	162	423	200
1902	1	P/W	63	103	96	162	423	200
	2	P/W	79	133	110	180	520	300
2002	1	P/W	79	133	110	180	520	300
	2	P/W	79	133	110	180	520	300
2402	1	Y/Δ	87	146	120	215	314	300
	2	Y/Δ	87	146	120	215	314	300
2602	1	Y/Δ	87	146	120	215	314	300
	2	Y/Δ	97	164	131	231	341	300
2802	1	Y/Δ	97	164	131	231	341	300
	2	Y/Δ	97	164	131	231	341	300
3002	1	Y/Δ	97	164	131	231	341	300
	2	Y/Δ	114	187	155	280	436	300
3202	1	Y/Δ	111	189	153	260	374	200
	2	Y/Δ	111	189	153	260	374	200
3402	1	Y/Δ	111	189	153	260	374	200
	2	Y/Δ	125	213	174	295	453	200
3602	1	Y/Δ	125	213	174	295	453	200
	2	Y/Δ	125	213	174	295	453	200
4202	1	Y/Δ	132	224	183	310	543	200
	2	Y/Δ	132	224	183	310	543	200
4602	1	Y/Δ	149	246	204	310	586	300
	2	Y/Δ	166	273	222	360	650	300
4802	1	Y/Δ	166	273	222	360	650	300
	2	Y/Δ	166	273	222	360	650	300

Fans - SLS HE BLN

Sizes	1402	1602	1802	1902	2002	2402	2602	2802	3002	3202	3402	3602	4202	4602	4802
Number	6	6	8	8	8	10	10	10	12	12	12	12	16	16	16
Nominal power per fan kW	2	2	2	2	2	2	2	2	2	2	2	2	2	2	2
Max. running current per fan A	4	4	4	4	4	4	4	4	4	4	4	4	4	4	4
Total power kW	12	12	16	16	16	20	20	20	24	24	24	24	32	32	32
Total maximum current A	24	24	32	32	32	40	40	40	48	48	48	48	64	64	64

Fans - SLS HE LN-ELN

Sizes	1402	1602	1802	1902	2002	2402	2602	2802	3002	3202	3402	3602	4202	4602	4802
Number	6	6	8	8	8	10	10	10	12	12	12	12	16	16	16
Nominal power per fan kW	1.25	1.25	1.25	1.25	1.25	1.25	1.25	1.25	1.25	1.25	1.25	1.25	1.25	1.25	1.25
Max. running current per fan A	2.3	2.3	2.3	2.3	2.3	2.3	2.3	2.3	2.3	2.3	2.3	2.3	2.3	2.3	2.3
Total power kW	7.5	7.5	10	10	10	12.5	12.5	12.5	15	15	15	15	20	20	20
Total maximum current A	13.8	13.8	18.4	18.4	18.4	23	23	23	27.6	27.6	27.6	27.6	36.8	36.8	36.8

Units - SLS HE BLN

Sizes	1402	1602	1802	1902	2002	2402	2602	2802	3002	3202	3402	3602	4202	4602	4802
Nominal current input A	156	210	238	268	298	332	350	368	376	425	449	473	513	583	610
Maximum current input A	272	312	356	374	392	470	486	502	510	568	603	638	684	734	784
Nominal power input kW	86	122	142	158	174	194	204	214	218	246	260	274	296	347	364
Maximum power input kW	168	188	208	222	236	260	271	282	286	330	351	371	397	458	476
Maximum running current A	401	475	568	665	678	505	532	543	646	604	683	708	824	931	966
Unit aM fuses A	315	315	400	400	400	500	500	500	630	630	800	800	800	800	800
Phase cable cross section mm ²	240	240	2 x 120	2 x 120	2 x 120	2 x 185	2 x 185	2 x 185	2 x 240	2 x 240	2 x 300	2 x 300	2 x 300	2 x 300	2 x 300

Units - SLS HE LN-ELN

Sizes	1402	1602	1802	1902	2002	2402	2602	2802	3002	3202	3402	3602	4202	4602	4802
Nominal current input A	146	200	224	254	284	315	333	351	356	405	429	453	486	556	583
Maximum current input A	262	302	342	360	378	453	469	485	490	548	583	618	657	707	757
Nominal power input kW	82	118	136	152	168	187	197	207	209	237	251	265	284	335	352
Maximum power input kW	164	184	202	216	230	253	264	275	277	321	342	362	385	446	464
Maximum running current A	391	465	555	652	664	488	515	526	625	584	663	687	797	904	939
Unit aM fuses A	315	315	400	400	400	500	500	500	630	630	800	800	800	800	800
Phase cable cross section mm ²	240	240	2 x 120	2 x 120	2 x 120	2 x 185	2 x 185	2 x 185	2 x 240	2 x 240	2 x 300	2 x 300	2 x 300	2 x 300	2 x 300

Electrical Data - SLS HE (cont'd)

Compressors - 400 V/50 Hz ± 10%

SLS HE	Twin units	Circuits	Starting type	Power input at nominal conditions (kW)	Current input at nominal conditions (A)	Power input at max. conditions (kW)	Current input at max. conditions FLA (A)	Starting current LRA (A)	Crankcase heater 230 V/1 Ph (W)
4804	2402	1	Y/Δ	87	146	120	215	314	300
		2	Y/Δ	87	146	120	215	314	300
	2402	1	Y/Δ	87	146	120	215	314	300
		2	Y/Δ	87	146	120	215	314	300
5204	2602	1	Y/Δ	87	146	120	215	314	300
		2	Y/Δ	97	164	131	231	341	300
	2602	1	Y/Δ	87	146	120	215	314	300
		2	Y/Δ	97	164	131	231	341	300
5604	2802	1	Y/Δ	97	164	131	231	341	300
		2	Y/Δ	97	164	131	231	341	300
	2802	1	Y/Δ	97	164	131	231	341	300
		2	Y/Δ	97	164	131	231	341	300
6004	3002	1	Y/Δ	97	164	131	231	341	300
		2	Y/Δ	114	187	155	280	436	300
	3002	3	Y/Δ	97	164	131	231	341	300
		4	Y/Δ	114	187	155	280	436	300
6404	3202	1	Y/Δ	111	189	153	260	374	200
		2	Y/Δ	111	189	153	260	374	200
	3202	1	Y/Δ	111	189	153	260	374	200
		2	Y/Δ	111	189	153	260	374	200
6804	3402	1	Y/Δ	111	189	153	260	374	200
		2	Y/Δ	125	213	174	295	453	200
	3402	1	Y/Δ	111	189	153	260	374	200
		2	Y/Δ	125	213	174	295	453	200
7204	3602	1	Y/Δ	125	213	174	295	453	200
		2	Y/Δ	125	213	174	295	453	200
	3602	1	Y/Δ	125	213	174	295	453	200
		2	Y/Δ	125	213	174	295	453	200
7804	3602	1	Y/Δ	125	213	174	295	453	200
		2	Y/Δ	125	213	174	295	453	200
	4202	1	Y/Δ	132	224	183	310	543	200
		2	Y/Δ	132	224	183	310	543	200
8404	4202	1	Y/Δ	132	224	183	310	543	200
		2	Y/Δ	132	224	183	310	543	200
	4202	1	Y/Δ	132	224	183	310	543	200
		2	Y/Δ	132	224	183	310	543	200

Fans - SLS HE BLN

Sizes	4804		5204		5604		6004		6404		6804		7204		7804		8404	
	2402	2402	2602	2602	2802	2802	3002	3002	3202	3202	3402	3402	3602	3602	3602	4202	4202	4202
Number	10	10	10	10	10	10	12	12	12	12	12	12	12	12	12	12	12	12
Nominal power per fan	kW		2	2	2	2	2	2	2	2	2	2	2	2	2	2	2	2
Max. running current per fan	A		4	4	4	4	4	4	4	4	4	4	4	4	4	4	4	4
Total power	kW		20	20	20	20	24	24	24	24	24	24	24	24	24	24	24	24
Total maximum current	A		40	40	40	40	48	48	48	48	48	48	48	48	48	48	48	48

Fans - SLS HE LN-ELN

Sizes	4804		5204		5604		6004		6404		6804		7204		7804		8404	
	2402	2402	2602	2602	2802	2802	3002	3002	3202	3202	3402	3402	3602	3602	3602	4202	4202	4202
Number	10	10	10	10	10	10	12	12	12	12	12	12	12	12	12	12	12	12
Nominal power per fan	kW		1.25	1.25	1.25	1.25	1.25	1.25	1.25	1.25	1.25	1.25	1.25	1.25	1.25	1.25	1.25	1.25
Max. running current per fan	A		2.3	2.3	2.3	2.3	2.3	2.3	2.3	2.3	2.3	2.3	2.3	2.3	2.3	2.3	2.3	2.3
Total power	kW		12.5	12.5	12.5	12.5	15	15	15	15	15	15	15	15	15	15	15	15
Total maximum current	A		23	23	23	23	27.6	27.6	27.6	27.6	27.6	27.6	27.6	27.6	27.6	27.6	27.6	27.6

Electrical Data - SLS HE (cont'd)

Units SLS HE BLN

Sizes		4804		5204		5604		6004		6404		6804		7204		7804		8404	
		2402	2402	2602	2602	2802	2802	3002	3002	3202	3202	3402	3402	3602	3602	3602	4202	4202	4202
Nominal current input	A	332	332	350	350	368	368	399	399	422	422	452	452	473	473	473	497	540	540
Maximum current input	A	470	470	486	486	502	502	559	559	608	608	638	638	638	638	638	668	668	668
Total maximum current input	A	940		972		1004		1118		1216		1276		1276		1306		1336	
Nominal power input	kW	194	194	204	204	214	214	235	235	252	252	273	273	274	274	274	288	322	322
Maximum power input	kW	260	260	271	271	282	282	310	310	334	334	383	383	371	371	371	389	432	432
Total maximum power input	kW	520		542		564		620		668		766		743		761		864	
Maximum starting current	A	505	505	505	505	543	543	646	646	680	680	709	709	708	708	708	808	851	851
Total starting current	A	846		895		906		1051		1120		1170		1169		1190		1333	
Unit aM fuses	A																		
Phase cable cross section	mm ²																		

Units SLS HE LN-ELN

Sizes		4804		5204		5604		6004		6404		6804		7204		7804		8404	
		2402	2402	2602	2602	2802	2802	3002	3002	3202	3202	3402	3402	3602	3602	3602	4202	4202	4202
Nominal current input	A	315	315	333	333	351	351	379	379	402	402	432	432	453	453	453	476	520	520
Maximum current input	A	453	453	469	469	485	485	539	539	588	588	618	618	618	618	618	648	648	648
Total maximum current input	A	906		938		970		1077		1175		1235		1235		1265		1295	
Nominal power input	kW	186.5	186.5	196.5	196.5	206.5	206.5	226	226	243	243	264	264	265	265	265	279	313	313
Maximum power input	kW	252.5	252.5	263.5	263.5	274.5	274.5	301	301	325	325	374	374	362	362	362	380	423	423
Total maximum power input	kW	505		527		549		602		650		748		725		743		846	
Maximum starting current	A	488	488	515	515	526	526	625	625	660	660	689	689	687	687	687	788	831	831
Total starting current	A	812		861		872		1011		1079		1129		1128		1149		1292	
Unit aM fuses	A	500	500	500	500	500	500	630	630	630	630	800	800	800	800	800	800	800	800
Phase cable cross section	mm ²	2 x 185	2 x 185	2 x 185	2 x 185	2 x 185	2 x 185	2 x 240	2 x 240	2 x 240	2 x 240	2 x 300	2 x 300	2 x 300	2 x 300	2 x 300	2 x 300	2 x 300	2 x 300

Sound Data - SLS STD

Models		Frequencies (Hz)							Lw global dB(A)	Lp global dB(A)*
		125	250	500	1000	2000	4000	8000		
SLS BLN	1402	90.0	89.0	96.8	90.5	85.0	69.5	58.3	96	64
	1602	90.0	89.0	96.8	90.5	85.0	69.5	58.3	96	64
	1802	91.0	90.0	97.8	91.5	86.0	70.5	59.3	97	65
	1902	92.0	91.0	98.8	92.5	87.0	71.5	60.3	98	66
	2002	92.0	91.0	98.8	92.5	87.0	71.5	60.3	98	66
	2202	92.0	91.0	98.8	92.5	87.0	71.5	60.3	98	66
	2502	92.0	91.0	98.8	92.5	87.0	71.5	60.3	98	66
	2702	92.0	91.0	98.8	92.5	87.0	71.5	60.3	98	66
	3002	94.0	93.0	100.8	94.5	89.0	73.5	62.3	100	68
	3202	94.0	93.0	100.8	94.5	89.0	73.5	62.3	100	68
	3402	94.0	93.0	100.8	94.5	89.0	73.5	62.3	100	68
	3602	94.0	93.0	100.8	94.5	89.0	73.5	62.3	100	68
	4202	94.0	93.0	100.8	94.5	89.0	73.5	62.3	100	68
	4602	94.0	93.0	100.8	94.5	89.0	73.5	62.3	100	68
	4802	94.0	93.0	100.8	94.5	89.0	73.5	62.3	100	68
	5004	95.0	94.0	101.8	95.5	90.0	74.5	63.3	101	69
	5404	95.0	94.0	101.8	95.5	90.0	74.5	63.3	101	69
	5704	96.0	95.0	102.8	96.5	91.0	75.5	64.3	102	69
6004	97.0	96.0	103.8	97.5	92.0	76.5	65.3	103	70	
6404	97.0	96.0	103.8	97.5	92.0	76.5	65.3	103	70	
6804	97.0	96.0	103.8	97.5	92.0	76.5	65.3	103	70	
7204	97.0	96.0	103.8	97.5	92.0	76.5	65.3	103	70	
8404	97.0	96.0	103.8	97.5	92.0	76.5	65.3	103	70	
SLS LN	1402	85.0	84.0	91.8	85.5	80.0	64.5	53.3	91	59
	1602	85.0	84.0	91.8	85.5	80.0	64.5	53.3	91	59
	1802	86.0	85.0	92.8	86.5	81.0	65.5	54.3	92	60
	1902	86.0	85.0	92.8	86.5	81.0	65.5	54.3	92	60
	2002	86.0	85.0	92.8	86.5	81.0	65.5	54.3	92	60
	2202	86.0	85.0	92.8	86.5	81.0	65.5	54.3	92	60
	2502	86.0	85.0	92.8	86.5	81.0	65.5	54.3	92	60
	2702	86.0	85.0	92.8	86.5	81.0	65.5	54.3	92	60
	3002	88.0	87.0	94.8	88.5	83.0	67.5	56.3	94	62
	3202	88.0	87.0	94.8	88.5	83.0	67.5	56.3	94	62
	3402	88.0	87.0	94.8	88.5	83.0	67.5	56.3	94	62
	3602	88.0	87.0	94.8	88.5	83.0	67.5	56.3	94	62
	4202	88.0	87.0	94.8	88.5	83.0	67.5	56.3	94	62
	4602	88.0	87.0	94.8	88.5	83.0	67.5	56.3	94	62
	4802	88.0	87.0	94.8	88.5	83.0	67.5	56.3	94	62
	5004	89.0	88.0	95.8	89.5	84.0	68.5	57.3	95	63
	5404	89.0	88.0	95.8	89.5	84.0	68.5	57.3	95	63
	5704	90.0	89.0	96.8	90.5	85.0	69.5	58.3	96	63
6004	91.0	90.0	97.8	91.5	86.0	70.5	59.3	97	64	
6404	91.0	90.0	97.8	91.5	86.0	70.5	59.3	97	64	
6804	91.0	90.0	97.8	91.5	86.0	70.5	59.3	97	64	
7204	91.0	90.0	97.8	91.5	86.0	70.5	59.3	97	64	
8404	91.0	90.0	97.8	91.5	86.0	70.5	59.3	97	64	
SLS ELN (1)	1402	80.7	79.7	87.5	81.2	75.7	60.2	49.0	87	55
	1602	80.7	79.7	87.5	81.2	75.7	60.2	49.0	87	55
	1802	82.0	81.0	88.8	82.5	77.0	61.5	50.3	88	56
	1902	82.0	81.0	88.8	82.5	77.0	61.5	50.3	88	56
	2002	82.0	81.0	88.8	82.5	77.0	61.5	50.3	88	56
	2202	82.0	81.0	88.8	82.5	77.0	61.5	50.3	88	56
	2502	82.0	81.0	88.8	82.5	77.0	61.5	50.3	88	56
	2702	82.0	81.0	88.8	82.5	77.0	61.5	50.3	88	56
	3002	84.0	83.0	90.8	84.5	79.0	63.5	52.3	90	58
	3202	84.0	83.0	90.8	84.5	79.0	63.5	52.3	90	58
	3402	84.0	83.0	90.8	84.5	79.0	63.5	52.3	90	58
	3602	84.0	83.0	90.8	84.5	79.0	63.5	52.3	90	58
	4202	84.0	83.0	90.8	84.5	79.0	63.5	52.3	90	58
	4602	84.0	83.0	90.8	84.5	79.0	63.5	52.3	90	58
	4802	84.0	83.0	90.8	84.5	79.0	63.5	52.3	90	58
	5004	85.0	84.0	91.8	85.5	80.0	64.5	53.3	91	59
	5404	85.0	84.0	91.8	85.5	80.0	64.5	53.3	91	59
	5704	86.0	85.0	92.8	86.5	81.0	65.5	54.3	92	59
6004	87.0	86.0	93.8	87.5	82.0	66.5	55.3	93	60	
6404	87.0	86.0	93.8	87.5	82.0	66.5	55.3	93	60	
6804	87.0	86.0	93.8	87.5	82.0	66.5	55.3	93	60	
7204	87.0	86.0	93.8	87.5	82.0	66.5	55.3	93	60	
8404	87.0	86.0	93.8	87.5	82.0	66.5	55.3	93	60	

(*) Sound pressure levels given at 10 meters in free field conditions according to ISO 3744.

(1) Sound pressure and power levels are given for an ambient air temperature of 32 °C.

Sound Data - SLS HE

Models		Frequencies (Hz)							Lw global dB(A)	Lp global dB(A)*
		125	250	500	1000	2000	4000	8000		
SLS BLN	1402	91.0	90.0	97.8	91.5	86.0	70.5	59.3	97	65
	1602	91.0	90.0	97.8	91.5	86.0	70.5	59.3	97	65
	1802	92.0	91.0	98.8	92.5	87.0	71.5	60.3	98	66
	1902	92.0	91.0	98.8	92.5	87.0	71.5	60.3	98	66
	2002	92.0	91.0	98.8	92.5	87.0	71.5	60.3	98	66
	2402	93.0	92.0	99.8	93.5	88.0	72.5	61.3	99	67
	2602	93.0	92.0	99.8	93.5	88.0	72.5	61.3	99	67
	2802	93.0	92.0	99.8	93.5	88.0	72.5	61.3	99	67
	3002	94.0	93.0	100.8	94.5	89.0	73.5	62.3	100	68
	3202	94.0	93.0	100.8	94.5	89.0	73.5	62.3	100	68
	3402	94.0	93.0	100.8	94.5	89.0	73.5	62.3	100	68
	3602	95.0	94.0	101.8	95.5	90.0	74.5	63.3	101	69
	4202	95.0	94.0	101.8	95.5	90.0	74.5	63.3	101	69
	4602	95.0	94.0	101.8	95.5	90.0	74.5	63.3	101	69
	4802	95.0	94.0	101.8	95.5	90.0	74.5	63.3	101	69
	4804	96.0	95.0	102.8	96.5	91.0	75.5	64.3	102	69
	5204	96.0	95.0	102.8	96.5	91.0	75.5	64.3	102	69
	5604	96.0	95.0	102.8	96.5	91.0	75.5	64.3	102	69
	6004	97.0	96.0	103.8	97.5	92.0	76.5	65.3	103	70
	6404	97.0	96.0	103.8	97.5	92.0	76.5	65.3	103	70
6804	97.0	96.0	103.8	97.5	92.0	76.5	65.3	103	70	
7204	97.0	96.0	103.8	97.5	92.0	76.5	65.3	103	70	
7804	97.0	96.0	103.8	97.5	92.0	76.5	65.3	103	70	
8404	97.0	96.0	103.8	97.5	92.0	76.5	65.3	103	70	
SLS LN	1402	86.0	85.0	92.8	86.5	81.0	65.5	54.3	92	60
	1602	86.0	85.0	92.8	86.5	81.0	65.5	54.3	92	60
	1802	86.0	85.0	92.8	86.5	81.0	65.5	54.3	92	60
	1902	86.0	85.0	92.8	86.5	81.0	65.5	54.3	92	60
	2002	86.0	85.0	92.8	86.5	81.0	65.5	54.3	92	60
	2402	87.0	86.0	93.8	87.5	82.0	66.5	55.3	93	61
	2602	87.0	86.0	93.8	87.5	82.0	66.5	55.3	93	61
	2802	87.0	86.0	93.8	87.5	82.0	66.5	55.3	93	61
	3002	88.0	87.0	94.8	88.5	83.0	67.5	56.3	94	62
	3202	88.0	87.0	94.8	88.5	83.0	67.5	56.3	94	62
	3402	88.0	87.0	94.8	88.5	83.0	67.5	56.3	94	62
	3602	89.0	88.0	95.8	89.5	84.0	68.5	57.3	95	63
	4202	89.0	88.0	95.8	89.5	84.0	68.5	57.3	95	63
	4602	89.0	88.0	95.8	89.5	84.0	68.5	57.3	95	63
	4802	89.0	88.0	95.8	89.5	84.0	68.5	57.3	95	63
	4804	90.0	89.0	96.8	90.5	85.0	69.5	58.3	96	63
	5204	90.0	89.0	96.8	90.5	85.0	69.5	58.3	96	63
	5604	90.0	89.0	96.8	90.5	85.0	69.5	58.3	96	63
	6004	91.0	90.0	97.8	91.5	86.0	70.5	59.3	97	64
	6404	91.0	90.0	97.8	91.5	86.0	70.5	59.3	97	64
6804	91.0	90.0	97.8	91.5	86.0	70.5	59.3	97	64	
7204	91.0	90.0	97.8	91.5	86.0	70.5	59.3	97	64	
7804	91.0	90.0	97.8	91.5	86.0	70.5	59.3	97	64	
8404	91.0	90.0	97.8	91.5	86.0	70.5	59.3	97	64	
SLS ELN (1)	1402	79.7	78.7	86.5	80.2	74.7	59.2	48.0	86	54
	1602	79.7	78.7	86.5	80.2	74.7	59.2	48.0	86	54
	1802	80.7	79.7	87.5	81.2	75.7	60.2	49.0	87	55
	1902	80.7	79.7	87.5	81.2	75.7	60.2	49.0	87	55
	2002	80.7	79.7	87.5	81.2	75.7	60.2	49.0	87	55
	2402	80.7	79.7	87.5	81.2	75.7	60.2	49.0	87	55
	2602	80.7	79.7	87.5	81.2	75.7	60.2	49.0	87	55
	2802	80.7	79.7	87.5	81.2	75.7	60.2	49.0	87	55
	3002	82.0	81.0	88.8	82.5	77.0	61.5	50.3	88	56
	3202	82.0	81.0	88.8	82.5	77.0	61.5	50.3	88	56
	3402	82.0	81.0	88.8	82.5	77.0	61.5	50.3	88	56
	3602	83.0	82.0	89.8	83.5	78.0	62.5	51.3	89	57
	4202	83.0	82.0	89.8	83.5	78.0	62.5	51.3	89	57
	4602	83.0	82.0	89.8	83.5	78.0	62.5	51.3	89	57
	4802	83.0	82.0	89.8	83.5	78.0	62.5	51.3	89	57
	4804	84.0	83.0	90.8	84.5	79.0	63.5	52.3	90	57
	5204	84.0	83.0	90.8	84.5	79.0	63.5	52.3	90	57
	5604	84.0	83.0	90.8	84.5	79.0	63.5	52.3	90	57
	6004	85.0	84.0	91.8	85.5	80.0	64.5	53.3	91	58
	6404	85.0	84.0	91.8	85.5	80.0	64.5	53.3	91	58
6804	87.0	86.0	93.8	87.5	82.0	66.5	55.3	93	60	
7204	87.0	86.0	93.8	87.5	82.0	66.5	55.3	93	60	
7804	87.0	86.0	93.8	87.5	82.0	66.5	55.3	93	60	
8404	87.0	86.0	93.8	87.5	82.0	66.5	55.3	93	60	

(*) Sound pressure levels given at 10 meters in free field conditions according to ISO 3744.

(1) Sound pressure and power levels are given for an ambient air temperature of 32 °C.

Cooling Capacities - SLS STD - BLN Version

Models	LWT (°C)	Ambient air temperature (°C)													
		25		30		32		35		38		40		45	
		Cooling capacity (kW)	Power input (kW)	Cooling capacity (kW)	Power input (kW)	Cooling capacity (kW)	Power input (kW)	Cooling capacity (kW)	Power input (kW)	Cooling capacity (kW)	Power input (kW)	Cooling capacity (kW)	Power input (kW)	Cooling capacity (kW)	Power input (kW)
SLS 1402 BLN	5	301.8	74.9	287.1	81.3	281.3	84.2	272.5	88.5	263.7	92.3	257.8	94.8	240.3	102.0
	6	313.5	75.9	298.9	82.2	293.0	85.1	284.2	89.4	273.7	93.7	266.6	96.6	249.1	102.9
	7	325.2	76.8	310.6	83.1	303.5	86.0	293.0	90.3	282.5	94.6	275.4	97.5	257.8	104.7
	8	337.0	77.7	319.4	84.0	313.5	86.9	304.7	91.2	294.2	95.5	287.1	98.4	266.6	106.6
	9	348.7	77.7	331.1	84.9	324.1	87.8	313.5	92.1	303.0	97.0	295.9	100.2	278.4	107.5
	10	360.4	78.6	342.8	85.8	335.8	89.0	325.2	93.9	314.7	98.2	307.7	101.1		
	12	382.7	80.2	363.6	87.6	356.2	90.7	345.2	95.4	334.3	100.4	327.0	103.7		
15	416.9	82.4	396.0	90.3	387.9	93.6	375.9	98.4	364.7	103.8	357.2	107.4			
SLS 1602 BLN	5	336.0	87.2	319.7	94.6	313.2	98.0	303.4	103.0	293.6	107.4	287.1	110.4		
	6	349.0	88.3	332.7	95.6	326.2	99.0	316.4	104.0	304.7	109.1	296.8	112.5		
	7	362.1	89.3	345.8	96.7	337.9	100.1	326.2	105.1	314.5	110.1	306.6	113.5		
	8	375.1	90.4	355.6	97.7	349.0	101.1	339.2	106.2	327.5	111.2	319.7	114.6		
	9	388.2	90.4	368.6	98.8	360.8	102.2	349.0	107.2	337.3	112.9	329.5	116.7		
	10	401.2	91.4	381.7	99.8	373.8	103.6	362.1	109.3	350.3	114.3	342.5	117.7		
	12	426.0	93.3	404.8	101.9	396.6	105.6	384.3	111.1	372.1	116.8	364.0	120.7		
15	464.2	96.0	440.8	105.1	431.9	108.9	418.5	114.6	406.0	120.8	397.6	125.0			
SLS 1802 BLN	5	376.6	98.4	358.3	106.7	351.0	110.4	340.0	116.1	329.0	121.1	321.7	124.4	299.8	133.9
	6	391.2	99.5	372.9	107.8	365.6	111.6	354.6	117.3	341.5	123.0	332.7	126.8	310.8	135.1
	7	405.8	100.7	387.5	109.0	378.8	112.8	365.6	118.5	352.4	124.2	343.7	128.0	321.7	137.5
	8	420.4	101.9	398.5	110.2	391.2	114.0	380.2	119.7	367.1	125.4	358.3	129.2	332.7	139.8
	9	435.1	101.9	413.1	111.4	404.4	115.2	391.2	120.9	378.0	127.3	369.3	131.5	347.3	141.0
	10	449.7	103.1	427.8	112.6	419.0	116.8	405.8	123.2	392.7	128.9	383.9	132.7		
	12	477.5	105.2	453.7	114.9	444.5	119.1	430.7	125.3	417.1	131.7	408.0	136.0		
15	520.2	108.2	494.1	118.5	484.1	122.8	469.1	129.2	455.0	136.2	445.7	140.9			
SLS 1902 BLN	5	422.9	113.0	402.4	122.5	394.2	126.8	381.9	133.4	369.5	139.1	361.3	142.9		
	6	439.3	114.3	418.8	123.9	410.6	128.2	398.3	134.7	383.5	141.3	373.6	145.6		
	7	455.8	115.7	435.2	125.2	425.4	129.6	410.6	136.1	395.8	142.6	386.0	147.0		
	8	472.2	117.0	447.6	126.6	439.3	130.9	427.0	137.5	412.2	144.0	402.4	148.3		
	9	488.6	117.0	464.0	127.9	454.1	132.3	439.3	138.8	424.6	146.2	414.7	151.1		
	10	505.0	118.4	480.4	129.3	470.5	134.2	455.8	141.5	441.0	148.1	431.1	152.4		
	12	536.2	120.9	509.6	132.0	499.2	136.8	483.7	143.9	468.4	151.3	458.2	156.2		
15	584.3	124.3	554.9	136.1	543.7	141.0	526.8	148.3	511.0	156.4	500.5	161.8			
SLS 2002 BLN	5	469.2	123.8	446.4	134.3	437.3	139.1	423.6	146.2	410.0	152.5	400.8	156.7	373.5	168.6
	6	487.4	125.3	464.6	135.8	455.5	140.5	441.8	147.7	425.4	154.9	414.5	159.6	387.2	170.1
	7	505.6	126.8	482.8	137.3	471.9	142.0	455.5	149.2	439.1	156.4	428.2	161.1	400.8	173.1
	8	523.8	128.3	496.5	138.8	487.4	143.5	473.7	150.7	457.3	157.9	446.4	162.6	414.5	176.1
	9	542.0	128.3	514.7	140.2	503.8	145.0	487.4	152.2	471.0	160.2	460.1	165.6	432.7	177.5
	10	560.3	129.8	532.9	141.7	522.0	147.1	505.6	155.2	489.2	162.3	478.3	167.1		
	12	594.9	132.5	565.3	144.7	553.8	149.9	536.6	157.7	519.6	165.9	508.3	171.3		
15	648.2	136.2	615.6	149.2	603.1	154.6	584.4	162.6	566.9	171.5	555.3	177.4			
SLS 2202 BLN	5	494.9	136.7	470.9	148.2	461.3	153.5	446.9	161.4	432.5	168.3	422.8	172.9		
	6	514.1	138.3	490.1	149.9	480.5	155.1	466.1	163.1	448.8	171.0	437.3	176.2		
	7	533.4	140.0	509.3	151.5	497.8	156.8	480.5	164.7	463.2	172.6	451.7	177.9		
	8	552.6	141.6	523.7	153.2	514.1	158.4	499.7	166.3	482.4	174.3	470.9	179.5		
	9	571.8	141.6	543.0	154.8	531.4	160.1	514.1	168.0	496.8	176.9	485.3	182.8		
	10	591.0	143.3	562.2	156.5	550.7	162.4	533.4	171.3	516.1	179.2	504.5	184.5		
	12	627.5	146.3	596.3	159.8	584.2	165.5	566.0	174.1	548.2	183.1	536.2	189.1		
15	683.8	150.4	649.4	164.7	636.2	170.6	616.5	179.5	598.0	189.3	585.7	195.8			
SLS 2502 BLN	5	529.0	147.7	503.3	160.1	493.1	165.8	477.6	174.3	462.2	181.8	452.0	186.8		
	6	549.6	149.4	523.9	161.9	513.6	167.6	498.2	176.1	479.7	184.7	467.4	190.4		
	7	570.1	151.2	544.4	163.7	532.1	169.4	513.6	177.9	495.1	186.4	482.8	192.1		
	8	590.6	153.0	559.8	165.4	549.6	171.1	534.1	179.7	515.7	188.2	503.3	193.9		
	9	611.2	153.0	580.4	167.2	568.0	172.9	549.6	181.5	531.1	191.1	518.7	197.5		
	10	631.7	154.8	600.9	169.0	588.6	175.4	570.1	185.0	551.6	193.6	539.3	199.2		
	12	670.8	158.0	637.4	172.6	624.5	178.8	605.0	188.0	585.9	197.8	573.2	204.2		
15	730.9	162.4	694.1	177.9	680.0	184.3	658.9	193.9	639.2	204.5	626.1	211.5			
SLS 2702 BLN	5	563.2	158.6	535.9	172.0	524.9	178.1	508.5	187.3	492.1	195.3	481.2	200.7		
	6	585.1	160.5	557.7	173.9	546.8	180.0	530.4	189.2	510.7	198.4	497.6	204.5		
	7	606.9	162.4	579.6	175.8	566.5	181.9	546.8	191.1	527.1	200.3	514.0	206.4		
	8	628.8	164.3	596.0	177.7	585.1	183.8	568.7	193.0	549.0	202.2	535.9	208.3		
	9	650.7	164.3	617.9	179.6	604.8	185.7	585.1	194.9	565.4	205.2	552.3	212.1		
	10	672.6	166.3	639.8	181.5	626.6	188.4	606.9	198.7	587.3	207.9	574.1	214.0		
	12	714.1	169.7	678.6	185.4	664.8	192.0	644.1	202.0	623.8	212.4	610.2	219.4		
15	778.1	174.5	739.0	191.1	724.0	198.0	701.5	208.3	680.5	219.7	666.5	227.2			
SLS 3002 BLN	5	638.9	161.2	607.9	174.8	595.5	181.0	576.9	190.3	558.3	198.5	545.9	203.9	508.6	219.4
	6	663.7	163.1	632.7	176.7	620.3	182.9	601.7	192.3	579.4	201.6	564.5	207.8	527.3	221.4
	7	688.5	165.1	657.5	178.7	642.6	184.9	620.3	194.2	598.0	203.5	583.1	209.7	545.9	225.3
	8	713.3	167.0	676.1	180.6	663.7	186.8	645.1	196.1	622.8	205.5	607.9	211.7	564.5	229.2
	9	738.2	167.0	700.9	182.5	686.1	188.8	663.7	198.1	641.4	208.6	626.5	215.6	589.3	231.1
	10	763.0	169.0	725.8	184.5	710.9	191.5	688.5	202.0	666.2	211.3	651.3	217.5		
	12	810.1	172.4	769.8	188.4	754.2	195.1	730.7	205.3	707.6	215.9	692.3	222.9		
15	882.7	177.3	838.3	194.2	821.3	201.2	795.8	211.7	772.0	223.2	756.1	230.9			

LWT : Leaving water temperature.

Cooling Capacities - SLS STD - BLN Version (cont'd)

Models	LWT (°C)	Ambient air temperature (°C)													
		25		30		32		35		38		40		45	
		Cooling capacity (kW)	Power input (kW)	Cooling capacity (kW)	Power input (kW)	Cooling capacity (kW)	Power input (kW)	Cooling capacity (kW)	Power input (kW)	Cooling capacity (kW)	Power input (kW)	Cooling capacity (kW)	Power input (kW)	Cooling capacity (kW)	Power input (kW)
SLS 6004 BLN	5	1277.8	322.4	1215.8	349.6	1191.0	362.0	1153.8	380.6	1116.5	396.9	1091.7	407.8	1017.3	438.9
	6	1327.4	326.3	1265.4	353.4	1240.6	365.9	1203.4	384.5	1158.7	403.2	1128.9	415.6	1054.5	442.8
	7	1377.1	330.1	1315.0	357.3	1285.3	369.8	1240.6	388.4	1195.9	407.0	1166.2	419.5	1091.7	450.5
	8	1426.7	334.0	1352.3	361.2	1327.4	373.6	1290.2	392.3	1245.6	410.9	1215.8	423.4	1128.9	458.3
	9	1476.3	334.0	1401.9	365.1	1372.1	377.5	1327.4	396.2	1282.8	417.1	1253.0	431.1	1178.6	462.2
	10	1525.9	337.9	1451.5	369.0	1421.7	383.0	1377.1	403.9	1332.4	422.6	1302.6	435.0		
	12	1620.2	344.9	1539.7	376.7	1508.4	390.3	1461.4	410.5	1415.3	431.7	1384.5	445.9		
15	1765.4	354.6	1676.6	388.4	1642.6	402.4	1591.7	423.4	1544.1	446.4	1512.3	461.8			
SLS 6404 BLN	5	1359.6	357.1	1293.6	387.2	1267.2	400.9	1227.6	421.6	1188.0	439.7	1161.6	451.7	1082.4	486.1
	6	1412.4	361.4	1346.4	391.5	1320.0	405.2	1280.4	425.9	1232.9	446.5	1201.2	460.3	1122.0	490.4
	7	1465.2	365.7	1399.2	395.8	1367.5	409.6	1320.0	430.2	1272.5	450.8	1240.8	464.6	1161.6	499.0
	8	1518.0	370.0	1438.8	400.1	1412.4	413.9	1372.8	434.5	1325.3	455.2	1293.6	468.9	1201.2	507.6
	9	1570.8	370.0	1491.6	404.4	1459.9	418.2	1412.4	438.8	1364.9	462.0	1333.2	477.5	1254.0	511.9
	10	1623.6	374.3	1544.4	408.7	1512.7	424.2	1465.2	447.4	1417.7	468.1	1386.0	481.8		
	12	1723.9	382.0	1638.2	417.3	1604.9	432.3	1555.0	454.7	1505.9	478.2	1473.1	493.9		
15	1878.4	392.8	1783.9	430.2	1747.8	445.7	1693.6	468.9	1642.9	494.5	1609.1	511.5			
SLS 6804 BLN	5	1480.3	389.4	1408.5	422.3	1379.7	437.3	1336.6	459.8	1293.5	479.5	1264.7	492.7	1178.5	530.2
	6	1537.8	394.1	1465.9	427.0	1437.2	442.0	1394.1	464.5	1342.3	487.0	1307.9	502.0	1221.6	534.9
	7	1595.3	398.8	1523.4	431.7	1488.9	446.7	1437.2	469.2	1385.5	491.7	1351.0	506.7	1264.7	544.3
	8	1652.8	403.5	1566.5	436.4	1537.8	451.4	1494.7	473.9	1442.9	496.4	1408.5	511.4	1307.9	553.7
	9	1710.3	403.5	1624.0	441.0	1589.5	456.1	1537.8	478.6	1486.1	503.9	1451.6	520.8	1365.3	558.3
	10	1767.8	408.2	1681.5	445.7	1647.0	462.6	1595.3	488.0	1543.6	510.5	1509.1	525.5		
	12	1877.0	416.6	1783.7	455.1	1747.4	471.5	1693.0	495.9	1639.6	521.6	1603.9	538.6		
15	2045.1	428.4	1942.3	469.2	1902.9	486.1	1843.9	511.4	1788.7	539.3	1751.9	557.9			
SLS 7204 BLN	5	1563.1	421.8	1487.2	457.4	1456.9	473.6	1411.4	498.0	1365.8	519.4	1335.5	533.6	1244.4	574.3
	6	1623.8	426.9	1548.0	462.5	1517.6	478.7	1472.1	503.1	1417.4	527.5	1381.0	543.8	1290.0	579.3
	7	1684.5	432.0	1608.7	467.5	1572.2	483.8	1517.6	508.2	1463.0	532.6	1426.5	548.9	1335.5	589.5
	8	1745.2	437.1	1654.2	472.6	1623.8	488.9	1578.3	513.3	1523.7	537.7	1487.2	553.9	1381.0	599.7
	9	1805.9	437.1	1714.9	477.7	1678.5	494.0	1623.8	518.4	1569.2	545.8	1532.8	564.1	1441.7	604.8
	10	1866.6	442.1	1775.6	482.8	1739.2	501.1	1684.5	528.5	1629.9	552.9	1593.5	569.2		
	12	1982.0	451.3	1883.5	493.0	1845.2	510.6	1787.7	537.2	1731.3	564.9	1693.6	583.4		
15	2159.5	464.0	2050.9	508.2	2009.4	526.5	1947.1	553.9	1888.8	584.1	1850.0	604.2			
SLS 8404 BLN	5	1696.0	480.6	1613.7	521.1	1580.7	539.6	1531.3	567.4	1481.9	591.7	1449.0	608.0		
	6	1761.9	486.4	1679.5	526.9	1646.6	545.4	1597.2	573.2	1537.9	601.0	1498.4	619.5		
	7	1827.7	492.2	1745.4	532.7	1705.9	551.2	1646.6	579.0	1587.3	606.8	1547.8	625.3		
	8	1893.6	497.9	1794.8	538.5	1761.9	557.0	1712.5	584.8	1653.2	612.6	1613.7	631.1		
	9	1959.5	497.9	1860.7	544.3	1821.1	562.8	1761.9	590.6	1702.6	621.8	1663.1	642.7		
	10	2025.3	503.7	1926.5	550.1	1887.0	570.9	1827.7	602.2	1768.4	630.0	1728.9	648.5		
	12	2150.5	514.2	2043.5	561.6	2002.0	581.8	1939.7	612.0	1878.4	643.6	1837.6	664.7		
15	2343.1	528.6	2225.3	579.0	2180.2	599.8	2112.6	631.1	2049.4	665.5	2007.2	688.4			

LWT : Leaving water temperature.

Cooling Capacities - SLS STD - LN Version

Models	LWT (°C)	Ambient air temperature (°C)													
		25		30		32		35		38		40		45	
		Cooling capacity (kW)	Power input (kW)	Cooling capacity (kW)	Power input (kW)	Cooling capacity (kW)	Power input (kW)	Cooling capacity (kW)	Power input (kW)	Cooling capacity (kW)	Power input (kW)	Cooling capacity (kW)	Power input (kW)	Cooling capacity (kW)	Power input (kW)
SLS 1402 LN	5	283.7	79.4	269.9	86.1	264.4	89.2	256.1	93.8	247.9	97.8	242.4	100.5		
	6	294.7	80.4	280.9	87.1	275.4	90.2	267.2	94.8	257.2	99.4	250.6	102.4		
	7	305.7	81.4	291.9	88.1	285.3	91.1	275.4	95.7	265.5	100.3	258.9	103.4		
	8	316.7	82.3	300.2	89.0	294.7	92.1	286.4	96.7	276.5	101.3	269.9	104.3		
	9	327.7	82.3	311.2	90.0	304.6	93.0	294.7	97.6	284.8	102.8	278.2	106.2		
	10	338.8	83.3	322.2	90.9	315.6	94.4	305.7	99.5	295.8	104.1	289.2	107.2		
	12	359.7	85.0	341.8	92.8	334.9	96.2	324.4	101.2	314.2	106.4	307.4	109.9		
15	391.9	87.4	372.2	95.7	364.7	99.2	353.4	104.3	342.8	110.0	335.7	113.8			
SLS 1602 LN	5	315.8	92.5	300.5	100.3	294.4	103.8	285.2	109.2	276.0	113.9	269.8	117.0		
	6	328.1	93.6	312.8	101.4	306.6	104.9	297.4	110.3	286.4	115.6	279.0	119.2		
	7	340.4	94.7	325.0	102.5	317.7	106.1	306.6	111.4	295.6	116.8	288.2	120.3		
	8	352.6	95.8	334.2	103.6	328.1	107.2	318.9	112.5	307.9	117.9	300.5	121.4		
	9	364.9	95.8	346.5	104.7	339.1	108.3	328.1	113.6	317.1	119.7	309.7	123.7		
	10	377.2	96.9	358.8	105.8	351.4	109.8	340.4	115.9	329.3	121.2	322.0	124.8		
	12	400.5	98.9	380.5	108.1	372.8	111.9	361.2	117.8	349.8	123.8	342.2	127.9		
15	436.3	101.7	414.4	111.4	406.0	115.4	393.4	121.4	381.6	128.1					
SLS 1802 LN	5	354.0	104.3	336.8	113.0	329.9	117.1	319.6	123.1	309.3	128.4	302.4	131.9		
	6	367.7	105.5	350.5	114.3	343.7	118.3	333.4	124.4	321.0	130.4	312.7	134.4		
	7	381.5	106.8	364.3	115.6	356.0	119.6	343.7	125.6	331.3	131.6	323.0	135.7		
	8	395.2	108.0	374.6	116.8	367.7	120.8	357.4	126.9	345.0	132.9	336.8	136.9		
	9	409.0	108.0	388.3	118.1	380.1	122.1	367.7	128.1	355.3	134.9	347.1	139.4		
	10	422.7	109.3	402.1	119.3	393.8	123.9	381.5	130.6	369.1	136.7	360.8	140.7		
	12	448.8	111.5	426.5	121.8	417.8	126.2	404.8	132.8	392.1	139.6	383.5	144.2		
15	489.0	114.7	464.4	125.6	455.0	130.1	440.9	136.9	427.7	144.4	418.9	149.4			
SLS 1902 LN	5	397.5	119.7	378.2	129.8	370.5	134.5	358.9	141.4	347.4	147.4	339.6	151.5		
	6	413.0	121.2	393.7	131.3	386.0	135.9	374.4	142.8	360.5	149.7	351.2	154.4		
	7	428.4	122.6	409.1	132.7	399.9	137.3	386.0	144.3	372.1	151.2	362.8	155.8		
	8	443.9	124.1	420.7	134.2	413.0	138.8	401.4	145.7	387.5	152.6	378.2	157.2		
	9	459.3	124.1	436.1	135.6	426.9	140.2	413.0	147.2	399.1	154.9	389.8	160.1		
	10	474.7	125.5	451.6	137.1	442.3	142.2	428.4	150.0	414.5	157.0	405.3	161.6		
	12	504.1	128.1	479.0	139.9	469.3	145.0	454.7	152.5	440.3	160.4	430.7	165.6		
15	549.2	131.7	521.6	144.3	511.0	149.5	495.2	157.2	480.4	165.8					
SLS 2002 LN	5	441.0	131.3	419.6	142.3	411.0	147.4	398.2	155.0	385.4	161.6	376.8	166.1		
	6	458.1	132.8	436.7	143.9	428.2	149.0	415.3	156.6	399.9	164.2	389.6	169.2		
	7	475.3	134.4	453.9	145.5	443.6	150.6	428.2	158.2	412.8	165.7	402.5	170.8		
	8	492.4	136.0	466.7	147.1	458.1	152.1	445.3	159.7	429.9	167.3	419.6	172.4		
	9	509.5	136.0	483.8	148.7	473.6	153.7	458.1	161.3	442.7	169.9	432.5	175.5		
	10	526.6	137.6	501.0	150.2	490.7	155.9	475.3	164.5	459.9	172.1	449.6	177.1		
	12	559.2	140.4	531.4	153.4	520.6	158.9	504.4	167.2	488.5	175.8	477.8	181.6		
15	609.3	144.4	578.6	158.2	566.9	163.8	549.3	172.4	532.9	181.8	521.9	188.0			
SLS 2202 LN	5	465.2	144.9	442.6	157.1	433.6	162.7	420.1	171.1	406.5	178.4	397.5	183.3		
	6	483.3	146.6	460.7	158.9	451.7	164.5	438.1	172.8	421.9	181.2	411.0	186.8		
	7	501.4	148.4	478.8	160.6	467.9	166.2	451.7	174.6	435.4	183.0	424.6	188.5		
	8	519.4	150.1	492.3	162.4	483.3	167.9	469.7	176.3	453.5	184.7	442.6	190.3		
	9	537.5	150.1	510.4	164.1	499.5	169.7	483.3	178.1	467.0	187.5	456.2	193.8		
	10	555.6	151.9	528.5	165.9	517.6	172.1	501.4	181.6	485.1	189.9	474.3	195.5		
	12	589.9	155.0	560.6	169.3	549.2	175.4	532.1	184.5	515.3	194.1	504.1	200.4		
15	642.7	159.4	610.4	174.6	598.0	180.9	579.5	190.3	562.1	200.7					
SLS 2502 LN	5	497.3	156.5	473.1	169.7	463.5	175.8	449.0	184.8	434.5	192.7	424.8	198.0		
	6	516.6	158.4	492.4	171.6	482.8	177.6	468.3	186.7	450.9	195.7	439.3	201.8		
	7	535.9	160.3	511.8	173.5	500.2	179.5	482.8	188.6	465.4	197.6	453.8	203.7		
	8	555.2	162.2	526.2	175.4	516.6	181.4	502.1	190.5	484.7	199.5	473.1	205.5		
	9	574.5	162.2	545.5	177.3	534.0	183.3	516.6	192.3	499.2	202.5	487.6	209.3		
	10	593.8	164.1	564.9	179.1	553.3	185.9	535.9	196.1	518.5	205.2				
	12	630.5	167.5	599.2	182.9	587.0	189.5	568.7	199.3	550.8	209.6				
15	687.0	172.2	652.4	188.6	639.2	195.4	619.4	205.5	600.9	216.7					
SLS 2702 LN	5	529.4	168.1	503.7	182.3	493.4	188.8	478.0	198.5	462.6	207.0	452.3	212.7		
	6	550.0	170.2	524.3	184.3	514.0	190.8	498.6	200.5	480.1	210.3	467.7	216.7		
	7	570.5	172.2	544.8	186.4	532.5	192.8	514.0	202.6	495.5	212.3	483.2	218.8		
	8	591.1	174.2	560.3	188.4	550.0	194.9	534.6	204.6	516.0	214.3	503.7	220.8		
	9	611.7	174.2	580.8	190.4	568.5	196.9	550.0	206.6	531.5	217.6	519.1	224.8		
	10	632.2	176.2	601.4	192.4	589.0	199.7	570.5	210.7	552.0	220.4				
	12	671.3	179.9	637.9	196.5	624.9	203.5	605.5	214.1	586.4	225.2				
15	731.4	184.9	694.6	202.6	680.6	209.9	659.5	220.8	639.7	232.8					
SLS 3002 LN	5	600.6	170.9	571.4	185.3	559.8	191.9	542.3	201.7	524.8	210.4	513.1	216.1		
	6	623.9	172.9	594.7	187.3	583.1	193.9	565.6	203.8	544.6	213.7	530.6	220.3		
	7	647.2	175.0	618.1	189.4	604.1	196.0	583.1	205.9	562.1	215.7	548.1	222.3		
	8	670.5	177.0	635.6	191.4	623.9	198.0	606.4	207.9	585.4	217.8	571.4	224.4		
	9	693.9	177.0	658.9	193.5	644.9	200.1	623.9	210.0	602.9	221.1	588.9	228.5		
	10	717.2	179.1	682.2	195.6	668.2	203.0	647.2	214.1	626.2	224.0	612.2	230.6		
	12	761.5	182.8	723.6	199.7	708.9	206.8	686.9	217.6	665.2	228.8	650.7	236.3		
15	829.7	187.9	788.0	205.9	772.0	213.3	748.1	224.4	725.7	236.6	710.8	244.8			

LWT : Leaving water temperature.

Cooling Capacities - SLS STD - LN Version (cont'd)

Models	LWT (°C)	Ambient air temperature (°C)													
		25		30		32		35		38		40		45	
		Cooling capacity (kW)	Power input (kW)	Cooling capacity (kW)	Power input (kW)	Cooling capacity (kW)	Power input (kW)	Cooling capacity (kW)	Power input (kW)	Cooling capacity (kW)	Power input (kW)	Cooling capacity (kW)	Power input (kW)	Cooling capacity (kW)	Power input (kW)
SLS 3202 LN	5	639.0	189.2	608.0	205.2	595.6	212.5	577.0	223.4	558.4	233.0	546.0	239.4		
	6	663.8	191.5	632.8	207.5	620.4	214.8	601.8	225.7	579.5	236.7	564.6	244.0		
	7	688.6	193.8	657.6	209.8	642.7	217.1	620.4	228.0	598.1	239.0	583.2	246.2		
	8	713.5	196.1	676.2	212.0	663.8	219.3	645.2	230.3	622.9	241.2	608.0	248.5		
	9	738.3	196.1	701.1	214.3	686.2	221.6	663.8	232.6	641.5	244.9	626.6	253.1		
	10	763.1	198.4	725.9	216.6	711.0	224.8	688.6	237.1	666.3	248.1	651.4	255.4		
	12	810.2	202.5	770.0	221.2	754.3	229.1	730.8	241.0	707.8	253.5	692.4	261.8		
15	882.8	208.2	838.4	228.0	821.4	236.2	796.0	248.5	772.1	262.1	756.3	271.1			
SLS 3402 LN	5	695.7	189.2	662.0	205.2	648.5	212.5	628.2	223.4	607.9	233.0	594.4	239.4		
	6	722.8	208.9	689.0	226.3	675.5	234.3	655.2	246.2	630.9	258.1	614.7	266.1		
	7	749.8	211.4	716.0	228.8	699.8	236.7	675.5	248.7	651.2	260.6	635.0	268.6		
	8	776.8	213.9	736.3	231.3	722.8	239.2	702.5	251.2	678.2	263.1	662.0	271.1		
	9	803.8	213.9	763.3	233.8	747.1	241.7	722.8	253.6	698.5	267.1	682.2	276.0		
	10	830.8	216.3	790.3	236.2	774.1	245.2	749.8	258.6	725.5	270.6	709.3	278.5		
	12	882.2	220.8	838.3	241.2	821.3	249.9	795.7	262.9	770.6	276.4	753.8	285.5		
15	961.2	227.0	912.9	248.7	894.4	257.6	866.6	271.1	840.7	285.8	823.4	295.7			
SLS 3602 LN	5	734.7	223.6	699.0	242.4	684.7	251.0	663.3	264.0	641.9	275.3	627.7	282.8		
	6	763.2	226.3	727.5	245.1	713.3	253.7	691.9	266.7	666.2	279.6	649.1	288.2		
	7	791.7	228.9	756.1	247.8	738.9	256.4	713.3	269.3	687.6	282.3	670.5	290.9		
	8	820.3	231.6	777.5	250.5	763.2	259.1	741.8	272.0	716.1	285.0	699.0	293.6		
	9	848.8	231.6	806.0	253.2	788.9	261.8	763.2	274.7	737.5	289.3	720.4	299.0		
	10	877.3	234.3	834.5	255.9	817.4	265.6	791.7	280.1	766.1	293.0	748.9	301.7		
	12	931.5	239.2	885.2	261.3	867.2	270.6	840.2	284.7	813.7	299.4	796.0	309.2		
15	1015.0	245.9	963.9	269.3	944.4	279.0	915.1	293.6	887.7	309.6	869.5	320.3			
SLS 4202 LN	5	797.1	254.7	758.4	276.2	742.9	286.0	719.7	300.7	696.5	313.6	681.0	322.2		
	6	828.1	257.8	789.4	279.3	773.9	289.1	750.7	303.8	722.8	318.5	704.3	328.4		
	7	859.0	260.8	820.3	282.3	801.8	292.1	773.9	306.9	746.0	321.6	727.5	331.4		
	8	890.0	263.9	843.6	285.4	828.1	295.2	804.9	309.9	777.0	324.7	758.4	334.5		
	9	920.9	263.9	874.5	288.5	855.9	298.3	828.1	313.0	800.2	329.6	781.6	340.6		
	10	951.9	267.0	905.5	291.5	886.9	302.6	859.0	319.1	831.2	333.9				
	12	1010.7	272.5	960.5	297.7	940.9	308.3	911.7	324.4	882.9	341.1				
15	1101.3	280.2	1045.9	306.9	1024.7	317.9	992.9	334.5	963.2	352.7					
SLS 4602 LN	5	879.9	257.5	837.2	279.2	820.1	289.2	794.5	304.1	768.8	317.1	751.8	325.8		
	6	914.1	260.6	871.4	282.3	854.3	292.3	828.6	307.2	797.9	322.1	777.4	332.0		
	7	948.2	263.7	905.5	285.4	885.0	295.4	854.3	310.3	823.5	325.2	803.0	335.1		
	8	982.4	266.8	931.2	288.5	914.1	298.5	888.4	313.4	857.7	328.3	837.2	338.2		
	9	1016.6	266.8	965.3	291.6	944.8	301.6	914.1	316.5	883.3	333.2	862.8	344.4		
	10	1050.8	269.9	999.5	294.7	979.0	305.9	948.2	322.7	917.5	337.6	897.0	347.5		
	12	1115.7	275.5	1060.2	301.0	1038.7	311.8	1006.3	327.9	974.6	344.9	953.4	356.2		
15	1215.6	283.3	1154.5	310.3	1131.1	321.4	1096.0	338.2	1063.2	356.6					
SLS 4802 LN	5	931.8	275.3	886.6	298.5	868.5	309.1	841.3	325.0	814.2	339.0	796.1	348.3		
	6	968.0	278.6	922.7	301.8	904.7	312.4	877.5	328.4	844.9	344.3	823.2	354.9		
	7	1004.2	281.9	958.9	305.1	937.2	315.8	904.7	331.7	872.1	347.6	850.4	358.2		
	8	1040.4	285.2	986.1	308.5	968.0	319.1	940.8	335.0	908.3	350.9	886.6	361.5		
	9	1076.5	285.2	1022.3	311.8	1000.5	322.4	968.0	338.3	935.4	356.2	913.7	368.2		
	10	1112.7	288.6	1058.4	315.1	1036.7	327.0	1004.2	344.9	971.6	360.9	949.9	371.5		
	12	1181.5	294.5	1122.7	321.7	1099.9	333.3	1065.7	350.6	1032.0	368.7	1009.6	380.8		
15	1287.3	302.8	1222.6	331.7	1197.8	343.6	1160.7	361.5	1125.9	381.2					
SLS 5004 LN	5	994.5	313.0	946.3	339.4	926.9	351.5	898.0	369.6	869.0	385.4	849.7	396.0		
	6	1033.2	316.8	984.9	343.2	965.6	355.3	936.6	373.4	901.8	391.5	878.7	403.5		
	7	1071.8	320.6	1023.5	347.0	1000.3	359.0	965.6	377.1	930.8	395.3	907.6	407.3		
	8	1110.4	324.3	1052.5	350.7	1033.2	362.8	1004.2	380.9	969.4	399.0	946.3	411.1		
	9	1149.0	324.3	1091.1	354.5	1067.9	366.6	1033.2	384.7	998.4	405.1	975.2	418.6		
	10	1187.6	328.1	1129.7	358.3	1106.5	371.9	1071.8	392.2	1037.0	410.3				
	12	1261.0	334.9	1198.3	365.8	1174.0	379.0	1137.4	398.6	1101.5	419.2				
15	1374.0	344.3	1304.9	377.1	1278.5	390.7	1238.8	411.1	1201.7	433.5					
SLS 5404 LN	5	1058.8	336.3	1007.4	364.6	986.9	377.6	956.0	397.0	925.2	414.0	904.6	425.4		
	6	1099.9	340.3	1048.5	368.7	1028.0	381.6	997.1	401.1	960.1	420.5	935.5	433.5		
	7	1141.1	344.4	1089.7	372.7	1065.0	385.7	1028.0	405.1	991.0	424.6	966.3	437.5		
	8	1182.2	348.4	1120.5	376.8	1099.9	389.7	1069.1	409.2	1032.1	428.6	1007.4	441.6		
	9	1223.3	348.4	1161.6	380.8	1137.0	393.8	1099.9	413.2	1062.9	435.1	1038.3	449.7		
	10	1264.4	352.5	1202.7	384.9	1178.1	399.5	1141.1	421.3	1104.1	440.8				
	12	1342.5	359.8	1275.8	393.0	1249.9	407.1	1211.0	428.2	1172.7	450.3				
15	1462.8	369.9	1389.2	405.1	1361.1	419.7	1318.9	441.6	1279.4	465.7					
SLS 5704 LN	5	1130.0	339.0	1075.1	367.6	1053.2	380.6	1020.3	400.2	987.4	417.4	965.4	428.8		
	6	1173.9	343.1	1119.0	371.7	1097.1	384.7	1064.2	404.3	1024.7	423.9	998.3	437.0		
	7	1217.8	347.2	1162.9	375.7	1136.6	388.8	1097.1	408.4	1057.6	428.0	1031.2	441.1		
	8	1261.6	351.2	1195.8	379.8	1173.9	392.9	1141.0	412.5	1101.5	432.1	1075.1	445.2		
	9	1305.5	351.2	1239.7	383.9	1213.4	397.0	1173.9	416.6	1134.4	438.6	1108.0	453.3		
	10	1349.4	355.3	1283.6	388.0	1257.2	402.7	1217.8	424.8	1178.3	444.4				
	12	1432.8	362.7	1361.5	396.2	1333.9	410.4	1292.4	431.7	1251.5	454.0				
15	1561.1	372.9	1482.6	408.4	1452.6	423.1	1407.5	445.2	1365.4	469.4					

LWT : Leaving water temperature.

Cooling Capacities - SLS STD - LN Version (cont'd)

Models	LWT (°C)	Ambient air temperature (°C)													
		25		30		32		35		38		40		45	
		Cooling capacity (kW)	Power input (kW)	Cooling capacity (kW)	Power input (kW)	Cooling capacity (kW)	Power input (kW)	Cooling capacity (kW)	Power input (kW)	Cooling capacity (kW)	Power input (kW)	Cooling capacity (kW)	Power input (kW)	Cooling capacity (kW)	Power input (kW)
SLS 6004 LN	5	1201.1	341.7	1142.8	370.5	1119.5	383.7	1084.5	403.5	1049.5	420.8	1026.2	432.3		
	6	1247.8	345.8	1189.5	374.6	1166.2	387.8	1131.2	407.6	1089.2	427.3	1061.2	440.5		
	7	1294.4	349.9	1236.1	378.8	1208.1	391.9	1166.2	411.7	1124.2	431.5	1096.2	444.6		
	8	1341.1	354.1	1271.1	382.9	1247.8	396.1	1212.8	415.8	1170.8	435.6	1142.8	448.8		
	9	1387.7	354.1	1317.8	387.0	1289.8	400.2	1247.8	419.9	1205.8	442.2	1177.8	457.0		
	10	1434.4	358.2	1364.4	391.1	1336.4	405.9	1294.4	428.2	1252.5	447.9	1224.5	461.1		
	12	1523.0	365.6	1447.3	399.3	1417.9	413.7	1373.7	435.2	1330.4	457.6	1301.4	472.6		
	15	1659.5	375.9	1576.0	411.7	1544.1	426.5	1496.2	448.8	1451.4	473.2	1421.6	489.5		
SLS 6404 LN	5	1278.0	378.5	1216.0	410.4	1191.2	425.0	1153.9	446.9	1116.7	466.0	1091.9	478.8		
	6	1327.7	383.0	1265.6	415.0	1240.8	429.6	1203.6	451.4	1158.9	473.3	1129.1	487.9		
	7	1377.3	387.6	1315.2	419.5	1285.5	434.1	1240.8	456.0	1196.1	477.9	1166.4	492.5		
	8	1426.9	392.2	1352.5	424.1	1327.7	438.7	1290.4	460.6	1245.8	482.4	1216.0	497.0		
	9	1476.6	392.2	1402.1	428.6	1372.3	443.2	1327.7	465.1	1283.0	489.7	1253.2	506.2		
	10	1526.2	396.7	1451.7	433.2	1422.0	449.6	1377.3	474.2	1332.6	496.1	1302.8	510.7		
	12	1620.5	404.9	1539.9	442.3	1508.6	458.2	1461.7	482.0	1415.5	506.9	1384.7	523.5		
	15	1765.7	416.3	1676.9	456.0	1642.9	472.4	1591.9	497.0	1544.3	524.1	1512.5	542.2		
SLS 6804 LN	5	1391.5	412.8	1323.9	447.7	1296.9	463.6	1256.4	487.5	1215.9	508.3	1188.9	522.3		
	6	1445.5	417.8	1378.0	452.6	1351.0	468.6	1310.4	492.4	1261.8	516.3	1229.4	532.2		
	7	1499.6	422.8	1432.0	457.6	1399.6	473.5	1351.0	497.4	1302.3	521.3	1269.9	537.2		
	8	1553.6	427.8	1472.6	462.6	1445.5	478.5	1405.0	502.4	1356.4	526.2	1323.9	542.2		
	9	1607.7	427.8	1526.6	467.6	1494.2	483.5	1445.5	507.3	1396.9	534.2	1364.5	552.1		
	10	1661.7	432.7	1580.6	472.5	1548.2	490.4	1499.6	517.3	1450.9	541.2	1418.5	557.1		
	12	1764.4	441.7	1676.6	482.5	1642.6	499.8	1591.4	525.8	1541.2	552.9	1507.7	571.0		
	15	1922.4	454.1	1825.7	497.4	1788.8	515.3	1733.3	542.2	1681.4	571.7	1646.8	591.4		
SLS 7204 LN	5	1469.3	447.1	1398.0	484.8	1369.5	502.1	1326.7	527.9	1283.9	550.6	1255.4	565.6		
	6	1526.4	452.5	1455.1	490.2	1426.5	507.5	1383.7	533.3	1332.4	559.2	1298.2	576.4		
	7	1583.5	457.9	1512.1	495.6	1477.9	512.8	1426.5	538.7	1375.2	564.6	1341.0	581.8		
	8	1640.5	463.3	1554.9	501.0	1526.4	518.2	1483.6	544.1	1432.3	569.9	1398.0	587.2		
	9	1697.6	463.3	1612.0	506.4	1577.8	523.6	1526.4	549.5	1475.0	578.6	1440.8	598.0		
	10	1754.6	468.7	1669.1	511.8	1634.8	531.2	1583.5	560.2	1532.1	586.1	1497.9	603.3		
	12	1863.1	478.4	1770.4	522.5	1734.5	541.3	1680.5	569.4	1627.4	598.8	1592.0	618.4		
	15	2030.0	491.8	1927.9	538.7	1888.8	558.1	1830.3	587.2	1775.5	619.2	1739.0	640.5		
SLS 8404 LN	5	1594.2	509.4	1516.8	552.3	1485.9	572.0	1439.5	601.4	1393.0	627.2	1362.1	644.4		
	6	1656.2	515.5	1578.8	558.5	1547.8	578.1	1501.4	607.6	1445.6	637.0	1408.5	656.7		
	7	1718.1	521.6	1640.7	564.6	1603.5	584.2	1547.8	613.7	1492.1	643.2	1454.9	662.8		
	8	1780.0	527.8	1687.1	570.7	1656.2	590.4	1609.7	619.8	1554.0	649.3	1516.8	668.9		
	9	1841.9	527.8	1749.0	576.9	1711.9	596.5	1656.2	626.0	1600.4	659.1	1563.3	681.2		
	10	1903.8	533.9	1810.9	583.0	1773.8	605.1	1718.1	638.2	1662.3	667.7				
	12	2021.4	545.0	1920.9	595.3	1881.9	616.6	1823.3	648.7	1765.7	682.2				
	15	2202.5	560.3	2091.7	613.7	2049.4	635.8	1985.8	668.9	1926.4	705.4				

LWT : Leaving water temperature.

Cooling Capacities - SLS STD - ELN Version (cont'd)

Models	LWT (°C)	Ambient air temperature (°C)													
		25		30		32		35		38		40		45	
		Cooling capacity (kW)	Power input (kW)	Cooling capacity (kW)	Power input (kW)	Cooling capacity (kW)	Power input (kW)	Cooling capacity (kW)	Power input (kW)	Cooling capacity (kW)	Power input (kW)	Cooling capacity (kW)	Power input (kW)	Cooling capacity (kW)	Power input (kW)
SLS 6004 ELN	5	1165.1	363.9	1108.6	394.6	1085.9	408.6	1084.5	403.5	1049.5	420.8	1026.2	432.3		
	6	1210.4	368.3	1153.8	399.0	1131.2	413.0	1131.2	407.6	1089.2	427.3	1061.2	440.5		
	7	1255.6	372.7	1199.0	403.4	1171.9	417.4	1166.2	411.7	1124.2	431.5	1096.2	444.6		
	8	1300.9	377.1	1233.0	407.8	1210.4	421.8	1212.8	415.8	1170.8	435.6	1142.8	448.8		
	9	1346.1	377.1	1278.2	412.2	1251.1	426.2	1247.8	419.9	1205.8	442.2	1177.8	457.0		
	10	1391.4	381.5	1323.5	416.5	1296.3	432.3	1294.4	428.2	1252.5	447.9	1224.5	461.1		
	12	1477.3	389.4	1403.9	425.3	1375.3	440.6	1373.7	435.2	1330.4	457.6	1301.4	472.6		
	15	1609.7	400.3	1528.7	438.5	1497.7	454.2	1496.2	448.8	1451.4	473.2	1421.6	489.5		
SLS 6404 ELN	5	1239.7	403.1	1179.5	437.1	1155.4	452.6	1153.9	446.9	1116.7	466.0	1091.9	478.8		
	6	1287.8	407.9	1227.6	441.9	1203.6	457.5	1203.6	451.4	1158.9	473.3	1129.1	487.9		
	7	1336.0	412.8	1275.8	446.8	1246.9	462.3	1240.8	456.0	1196.1	477.9	1166.4	492.5		
	8	1384.1	417.7	1311.9	451.6	1287.8	467.2	1290.4	460.6	1245.8	482.4	1216.0	497.0		
	9	1432.3	417.7	1360.0	456.5	1331.2	472.0	1327.7	465.1	1283.0	489.7	1253.2	506.2		
	10	1480.4	422.5	1408.2	461.4	1379.3	478.8	1377.3	474.2	1332.6	496.1	1302.8	510.7		
	12	1571.9	431.2	1493.7	471.1	1463.4	488.0	1461.7	482.0	1415.5	506.9	1384.7	523.5		
	15	1712.7	443.4	1626.5	485.6	1593.6	503.1	1591.9	497.0	1544.3	524.1	1512.5	542.2		
SLS 6804 ELN	5	1349.8	439.7	1284.2	476.8	1258.0	493.7	1256.4	487.5	1215.9	508.3	1188.9	522.3		
	6	1402.2	445.0	1336.6	482.1	1310.4	499.0	1310.4	492.4	1261.8	516.3	1229.4	532.2		
	7	1454.6	450.3	1389.1	487.4	1357.6	504.3	1351.0	497.4	1302.3	521.3	1269.9	537.2		
	8	1507.0	455.6	1428.4	492.6	1402.2	509.6	1405.0	502.4	1356.4	526.2	1323.9	542.2		
	9	1559.4	455.6	1480.8	497.9	1449.3	514.9	1445.5	507.3	1396.9	534.2	1364.5	552.1		
	10	1611.8	460.9	1533.2	503.2	1501.8	522.3	1499.6	517.3	1450.9	541.2	1418.5	557.1		
	12	1711.4	470.4	1626.3	513.8	1593.3	532.3	1591.4	525.8	1541.2	552.9	1507.7	571.0		
	15	1864.8	483.6	1771.0	529.7	1735.1	548.8	1733.3	542.2	1681.4	571.7	1646.8	591.4		
SLS 7204 ELN	5	1425.3	476.2	1356.1	516.3	1328.4	534.7	1326.7	527.9	1283.9	550.6	1255.4	565.6		
	6	1480.6	481.9	1411.4	522.1	1383.7	540.4	1383.7	533.3	1332.4	559.2	1298.2	576.4		
	7	1536.0	487.7	1466.8	527.8	1433.6	546.2	1426.5	538.7	1375.2	564.6	1341.0	581.8		
	8	1591.3	493.4	1508.3	533.6	1480.6	551.9	1483.6	544.1	1432.3	569.9	1398.0	587.2		
	9	1646.7	493.4	1563.6	539.3	1530.4	557.7	1526.4	549.5	1475.0	578.6	1440.8	598.0		
	10	1702.0	499.1	1619.0	545.0	1585.8	565.7	1583.5	560.2	1532.1	586.1	1497.9	603.3		
	12	1807.2	509.5	1717.3	556.5	1682.4	576.5	1680.5	569.4	1627.4	598.8	1592.0	618.4		
	15	1969.1	523.8	1870.0	573.7	1832.2	594.4	1830.3	587.2	1775.5	619.2	1739.0	640.5		
SLS 8404 ELN	5	1546.4	542.5	1471.3	588.2	1441.3	609.1	1439.5	601.4	1393.0	627.2	1362.1	644.4		
	6	1606.5	549.0	1531.4	594.8	1501.4	615.7	1501.4	607.6	1445.6	637.0	1408.5	656.7		
	7	1666.5	555.6	1591.5	601.3	1555.4	622.2	1547.8	613.7	1492.1	643.2	1454.9	662.8		
	8	1726.6	562.1	1636.5	607.8	1606.5	628.8	1609.7	619.8	1554.0	649.3	1516.8	668.9		
	9	1786.6	562.1	1696.5	614.4	1660.5	635.3	1656.2	626.0	1600.4	659.1	1563.3	681.2		
	10	1846.7	568.6	1756.6	620.9	1720.6	644.4	1718.1	638.2	1662.3	667.7				
	12	1960.8	580.4	1863.3	634.0	1825.4	656.7	1823.3	648.7	1765.7	682.2				
	15	2136.4	596.7	2029.0	653.6	1987.9	677.1	1985.8	668.9	1926.4	705.4				

LWT : Leaving water temperature.

Cooling Capacities - SLS HE - BLN Version (cont'd)

Models	LWT (°C)	Ambient air temperature (°C)															
		25		30		32		35		38		40		45		48	
		Cooling capacity (kW)	Power input (kW)	Cooling capacity (kW)	Power input (kW)	Cooling capacity (kW)	Power input (kW)	Cooling capacity (kW)	Power input (kW)	Cooling capacity (kW)	Power input (kW)	Cooling capacity (kW)	Power input (kW)	Cooling capacity (kW)	Power input (kW)	Cooling capacity (kW)	Power input (kW)
SLS 6004 BLN	5	1331.6	313.6	1266.9	340.0	1241.1	352.1	1202.3	370.2	1163.5	386.1	1137.7	396.7	1060.1	426.9		
	6	1383.3	317.4	1318.7	343.8	1292.8	355.9	1254.0	374.0	1207.5	392.2	1176.4	404.2	1098.9	430.7		
	7	1435.0	321.1	1370.4	347.6	1339.3	359.7	1292.8	377.8	1246.3	395.9	1215.2	408.0	1137.7	438.2		
	8	1486.7	324.9	1409.2	351.4	1383.3	363.4	1344.5	381.6	1298.0	399.7	1266.9	411.8	1176.4	445.8		
	9	1538.4	324.9	1460.9	355.1	1429.8	367.2	1383.3	385.4	1336.8	405.8	1305.7	419.4	1228.2	449.6		
	10	1590.1	328.7	1512.6	358.9	1481.5	372.5	1435.0	392.9	1388.5	411.0	1357.4	423.1	1266.9	457.1		
	12	1688.4	335.5	1604.5	366.5	1571.8	379.6	1522.9	399.3	1474.8	420.0	1442.8	433.7	1347.1	467.7		
15	1839.7	344.9	1747.1	377.8	1711.7	391.4	1658.7	411.8	1609.0	434.2	1575.9	449.2	1469.9	485.1			
SLS 6404 BLN	5	1448.6	348.4	1378.3	377.8	1350.1	391.3	1308.0	411.4	1265.8	429.0	1237.6	440.8	1153.2	474.4		
	6	1504.8	352.6	1434.5	382.0	1406.4	395.5	1364.2	415.6	1313.6	435.8	1279.8	449.2	1195.4	478.6		
	7	1561.1	356.8	1490.8	386.2	1457.0	399.6	1406.4	419.8	1355.8	440.0	1322.0	453.4	1237.6	487.0		
	8	1617.4	361.0	1533.0	390.4	1504.8	403.8	1462.7	424.0	1412.0	444.1	1378.3	457.6	1279.8	495.4		
	9	1673.6	361.0	1589.2	394.6	1555.5	408.0	1504.8	428.2	1454.2	450.9	1420.5	466.0	1336.1	499.6		
	10	1729.9	365.2	1645.5	398.8	1611.7	413.9	1561.1	436.6	1510.5	456.7	1476.7	470.2	1378.3	508.0		
	12	1836.8	372.8	1745.4	407.2	1710.0	421.8	1656.7	443.7	1604.4	466.6	1569.5	481.9	1465.5	519.7		
15	2001.3	383.3	1900.6	419.8	1862.2	434.9	1804.4	457.6	1750.4	482.5	1714.4	499.1	1599.1	539.0			
SLS 6804 BLN	5	1526.7	387.6	1452.6	420.3	1422.9	435.2	1378.4	457.7	1334.0	477.3	1304.3	490.4				
	6	1586.0	392.3	1511.8	425.0	1482.2	439.9	1437.7	462.3	1384.4	484.7	1348.8	499.7				
	7	1645.2	397.0	1571.1	429.6	1535.6	444.6	1482.2	467.0	1428.8	489.4	1393.3	504.4				
	8	1704.5	401.6	1615.6	434.3	1586.0	449.3	1541.5	471.7	1488.1	494.1	1452.6	509.0				
	9	1763.8	401.6	1674.9	439.0	1639.3	453.9	1586.0	476.3	1532.6	501.6	1497.0	518.4				
	10	1823.1	406.3	1734.2	443.7	1698.6	460.5	1645.2	485.7	1591.9	508.1	1556.3	523.0				
	12	1935.8	414.7	1839.5	453.0	1802.1	469.2	1746.0	493.6	1690.9	519.1	1654.1	536.1				
15	2109.2	426.4	2003.1	467.0	1962.5	483.8	1901.7	509.0	1844.7	536.8	1806.8	555.3					
SLS 7204 BLN	5	1604.6	426.8	1526.7	462.8	1495.6	479.2	1448.8	503.9	1402.1	525.5	1371.0	539.9				
	6	1667.0	431.9	1589.1	467.9	1557.9	484.4	1511.2	509.1	1455.1	533.7	1417.7	550.2				
	7	1729.3	437.1	1651.4	473.1	1614.0	489.5	1557.9	514.2	1501.8	538.9	1464.4	555.3				
	8	1791.6	442.2	1698.1	478.2	1667.0	494.7	1620.2	519.3	1564.1	544.0	1526.7	560.5				
	9	1853.9	442.2	1760.4	483.3	1723.0	499.8	1667.0	524.5	1610.9	552.3	1573.5	570.8				
	10	1916.2	447.4	1822.7	488.5	1785.4	507.0	1729.3	534.8	1673.2	559.4	1635.8	575.9				
	12	2034.6	456.6	1933.5	498.8	1894.2	516.7	1835.2	543.5	1777.3	571.6	1738.6	590.3				
15	2216.9	469.5	2105.4	514.2	2062.7	532.7	1998.8	560.5	1939.0	591.0	1899.1	611.4					
SLS 7804 BLN	5	1686.3	450.9	1604.5	489.0	1571.7	506.4	1522.6	532.4	1473.5	555.3	1440.7	570.5				
	6	1751.8	456.4	1669.9	494.4	1637.2	511.8	1588.1	537.9	1529.1	563.9	1489.9	581.3				
	7	1817.3	461.8	1735.4	499.8	1696.1	517.2	1637.2	543.3	1578.3	569.4	1539.0	586.8				
	8	1882.8	467.2	1784.5	505.3	1751.8	522.7	1702.7	548.7	1643.7	574.8	1604.5	592.2				
	9	1948.3	467.2	1850.0	510.7	1810.7	528.1	1751.8	554.2	1692.9	583.5	1653.6	603.1				
	10	2013.8	472.7	1915.5	516.1	1876.2	535.7	1817.3	565.0	1758.4	591.1	1719.1	608.5				
	12	2138.2	482.5	2031.9	527.0	1990.6	545.9	1928.6	574.3	1867.7	603.9	1827.1	623.7				
15	2329.7	496.0	2212.6	543.3	2167.7	562.9	2100.5	592.2	2037.7	624.5	1995.7	646.0					
SLS 8404 BLN	5	1737.5	477.3	1653.2	517.5	1619.4	535.9	1568.8	563.5	1518.2	587.7	1484.5	603.8				
	6	1805.0	483.0	1720.6	523.3	1686.9	541.7	1636.3	569.3	1575.6	596.9	1535.1	615.3				
	7	1872.5	488.8	1788.1	529.0	1747.6	547.4	1686.9	575.0	1626.2	602.6	1585.7	621.0				
	8	1939.9	494.5	1838.7	534.8	1805.0	553.2	1754.4	580.8	1693.6	608.4	1653.2	626.8				
	9	2007.4	494.5	1906.2	540.5	1865.7	558.9	1805.0	586.5	1744.3	617.6	1703.8	638.3				
	10	2074.9	500.3	1973.7	546.3	1933.2	567.0	1872.5	598.0	1811.7	625.6	1771.2	644.0				
	12	2203.1	510.6	2093.6	557.8	2051.0	577.8	1987.2	607.8	1924.4	639.2	1882.6	660.1				
15	2400.5	525.0	2279.7	575.0	2233.6	595.7	2164.3	626.8	2099.5	660.9	2056.3	683.7					

LWT : Leaving water temperature.

Cooling Capacities - SLS HE - LN Version (cont'd)

Models	LWT (°C)	Ambient air temperature (°C)													
		25		30		32		35		38		40		45	
		Cooling capacity (kW)	Power input (kW)	Cooling capacity (kW)	Power input (kW)	Cooling capacity (kW)	Power input (kW)	Cooling capacity (kW)	Power input (kW)	Cooling capacity (kW)	Power input (kW)	Cooling capacity (kW)	Power input (kW)	Cooling capacity (kW)	Power input (kW)
SLS 6004 LN	5	1278.3	332.4	1216.3	360.4	1191.4	373.2	1154.2	392.5	1117.0	409.3	1092.2	420.5		
	6	1328.0	336.4	1265.9	364.4	1241.1	377.2	1203.9	396.5	1159.2	415.7	1129.4	428.5		
	7	1377.6	340.4	1315.6	368.4	1285.8	381.2	1241.1	400.5	1196.4	419.7	1166.6	432.5		
	8	1427.3	344.4	1352.8	372.4	1328.0	385.3	1290.7	404.5	1246.1	423.7	1216.3	436.5		
	9	1476.9	344.4	1402.4	376.4	1372.6	389.3	1328.0	408.5	1283.3	430.1	1253.5	444.5		
	10	1526.5	348.4	1452.1	380.4	1422.3	394.9	1377.6	416.5	1332.9	435.7	1303.1	448.5		
	12	1620.9	355.6	1540.3	388.5	1509.0	402.4	1462.0	423.3	1415.8	445.2	1385.1	459.7		
	15	1766.1	365.6	1677.2	400.5	1643.3	414.9	1592.3	436.5	1544.7	460.3	1512.9	476.2		
SLS 6404 LN	5	1390.6	369.3	1323.1	400.5	1296.1	414.7	1255.6	436.1	1215.1	454.8	1188.1	467.2		
	6	1444.7	373.8	1377.1	404.9	1350.1	419.2	1309.6	440.5	1261.0	461.9	1228.6	476.1		
	7	1498.7	378.2	1431.2	409.4	1398.7	423.6	1350.1	445.0	1301.5	466.3	1269.1	480.6		
	8	1552.7	382.7	1471.7	413.8	1444.7	428.1	1404.1	449.4	1355.5	470.8	1323.1	485.0		
	9	1606.7	382.7	1525.7	418.3	1493.3	432.5	1444.7	453.9	1396.0	477.9	1363.6	493.9		
	10	1660.7	387.1	1579.7	422.7	1547.3	438.8	1498.7	462.8	1450.1	484.1	1417.7	498.4		
	12	1763.3	395.1	1675.6	431.6	1641.6	447.1	1590.5	470.4	1540.2	494.6	1506.8	510.8		
	15	1921.3	406.3	1824.6	445.0	1787.7	461.0	1732.2	485.0	1680.4	511.5	1645.8	529.1		
SLS 6804 LN	5	1465.6	410.9	1394.5	445.5	1366.0	461.4	1323.3	485.1	1280.6	505.9	1252.2	519.8		
	6	1522.5	415.8	1451.4	450.5	1422.9	466.3	1380.2	490.1	1329.0	513.8	1294.8	529.7		
	7	1579.4	420.8	1508.3	455.4	1474.1	471.3	1422.9	495.0	1371.7	518.8	1337.5	534.6		
	8	1636.3	425.7	1551.0	460.4	1522.5	476.2	1479.8	500.0	1428.6	523.7	1394.5	539.6		
	9	1693.3	425.7	1607.9	465.3	1573.7	481.2	1522.5	504.9	1471.3	531.7	1437.1	549.5		
	10	1750.2	430.7	1664.8	470.3	1630.7	488.1	1579.4	514.8	1528.2	538.6	1494.1	554.4		
	12	1858.3	439.6	1765.9	480.2	1730.0	497.4	1676.2	523.2	1623.3	550.3				
	15	2024.8	452.0	1923.0	495.0	1884.0	512.8	1825.6	539.6	1771.0	569.0				
SLS 7204 LN	5	1540.5	452.4	1465.7	490.5	1435.8	508.0	1390.9	534.2	1346.0	557.0	1316.1	572.3		
	6	1600.3	457.8	1525.5	496.0	1495.6	513.4	1450.7	539.6	1396.9	565.8	1361.0	583.2		
	7	1660.1	463.3	1585.3	501.4	1549.4	518.9	1495.6	545.1	1441.7	571.2	1405.8	588.7		
	8	1719.9	468.7	1630.2	506.9	1600.3	524.3	1555.4	550.5	1501.6	576.7	1465.7	594.1		
	9	1779.7	468.7	1690.0	512.3	1654.1	529.8	1600.3	556.0	1546.4	585.4	1510.5	605.0		
	10	1839.6	474.2	1749.8	517.8	1713.9	537.4	1660.1	566.9	1606.3	593.0	1570.4	610.5		
	12	1953.2	484.0	1856.1	528.7	1818.4	547.7	1761.8	576.1	1706.2	605.9				
	15	2128.2	497.6	2021.2	545.1	1980.2	564.7	1918.8	594.1	1861.4	626.5				
SLS 7804 LN	5	1618.9	478.0	1540.3	518.3	1508.8	536.7	1461.7	564.4	1414.5	588.6	1383.1	604.7		
	6	1681.7	483.8	1603.1	524.1	1571.7	542.5	1524.6	570.1	1468.0	597.8	1430.3	616.2		
	7	1744.6	489.5	1666.0	529.8	1628.3	548.3	1571.7	575.9	1515.1	603.5	1477.4	622.0		
	8	1807.5	495.3	1713.2	535.6	1681.7	554.0	1634.6	581.7	1578.0	609.3	1540.3	627.7		
	9	1870.3	495.3	1776.0	541.3	1738.3	559.8	1681.7	587.4	1625.2	618.5	1587.4	639.2		
	10	1933.2	501.0	1838.9	547.1	1801.2	567.8	1744.6	598.9	1688.0	626.6	1650.3	645.0		
	12	2052.7	511.4	1950.6	558.6	1911.0	578.7	1851.5	608.7	1793.0	640.2				
	15	2236.5	525.8	2124.1	575.9	2081.0	596.6	2016.5	627.7	1956.2	661.9				
SLS 8404 LN	5	1668.0	505.9	1587.0	548.6	1554.6	568.1	1506.1	597.3	1457.5	622.9	1425.1	640.0		
	6	1732.8	512.0	1651.8	554.6	1619.4	574.1	1570.8	603.4	1512.5	632.7	1473.7	652.2		
	7	1797.6	518.1	1716.6	560.7	1677.7	580.2	1619.4	609.5	1561.1	638.8	1522.3	658.3		
	8	1862.3	524.2	1765.2	566.8	1732.8	586.3	1684.2	615.6	1625.9	644.9	1587.0	664.4		
	9	1927.1	524.2	1829.9	572.9	1791.1	592.4	1732.8	621.7	1674.5	654.6	1635.6	676.5		
	10	1991.9	530.3	1894.7	579.0	1855.9	601.0	1797.6	633.9	1739.3	663.1	1700.4	682.6		
	12	2115.0	541.2	2009.8	591.2	1969.0	612.4	1907.7	644.2	1847.4	677.5				
	15	2304.4	556.5	2188.5	609.5	2144.2	631.4	2077.7	664.4	2015.5	700.6				

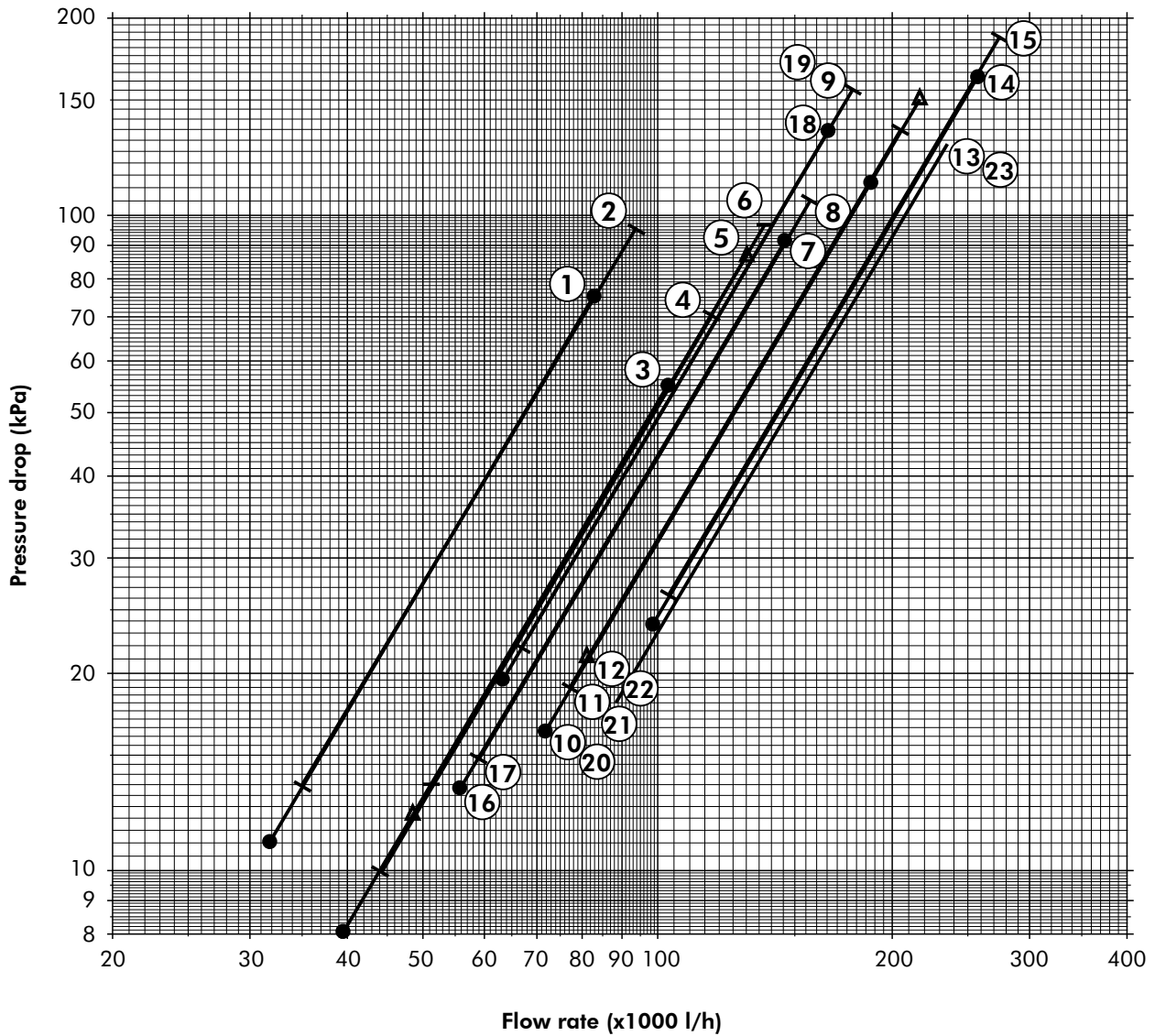
LWT : Leaving water temperature.

Cooling Capacities - SLS HE - ELN Version (cont'd)

Models	LWT (°C)	Ambient air temperature (°C)													
		25		30		32		35		38		40		45	
		Cooling capacity (kW)	Power input (kW)	Cooling capacity (kW)	Power input (kW)	Cooling capacity (kW)	Power input (kW)	Cooling capacity (kW)	Power input (kW)	Cooling capacity (kW)	Power input (kW)	Cooling capacity (kW)	Power input (kW)	Cooling capacity (kW)	Power input (kW)
SLS 6004 ELN	5	1227.2	360.6	1167.6	391.1	1143.8	405.0	1154.2	392.5	1117.0	409.3	1092.2	420.5		
	6	1274.8	365.0	1215.3	395.4	1191.4	409.3	1203.9	396.5	1159.2	415.7	1129.4	428.5		
	7	1322.5	369.3	1262.9	399.7	1234.3	413.7	1241.1	400.5	1196.4	419.7	1166.6	432.5		
	8	1370.2	373.7	1298.7	404.1	1274.8	418.0	1290.7	404.5	1246.1	423.7	1216.3	436.5		
	9	1417.8	373.7	1346.3	408.4	1317.7	422.3	1328.0	408.5	1283.3	430.1	1253.5	444.5		
	10	1465.5	378.0	1394.0	412.8	1365.4	428.4	1377.6	416.5	1332.9	435.7	1303.1	448.5		
	12	1556.0	385.8	1478.7	421.5	1448.6	436.6	1462.0	423.3	1415.8	445.2	1385.1	459.7		
	15	1695.4	396.7	1610.2	434.5	1577.5	450.2	1592.3	436.5	1544.7	460.3	1512.9	476.2		
SLS 6404 ELN	5	1348.9	393.3	1283.4	426.5	1257.3	441.7	1255.6	436.1	1215.1	454.8	1188.1	467.2		
	6	1401.3	398.1	1335.8	431.3	1309.6	446.4	1309.6	440.5	1261.0	461.9	1228.6	476.1		
	7	1453.7	402.8	1388.2	436.0	1356.8	451.2	1350.1	445.0	1301.5	466.3	1269.1	480.6		
	8	1506.1	407.6	1427.5	440.7	1401.3	455.9	1404.1	449.4	1355.5	470.8	1323.1	485.0		
	9	1558.5	407.6	1479.9	445.5	1448.5	460.6	1444.7	453.9	1396.0	477.9	1363.6	493.9		
	10	1610.9	412.3	1532.3	450.2	1500.8	467.3	1498.7	462.8	1450.1	484.1	1417.7	498.4		
	12	1710.4	420.8	1625.4	459.7	1592.3	476.2	1590.5	470.4	1540.2	494.6	1506.8	510.8		
	15	1863.6	432.7	1769.9	473.9	1734.0	491.0	1732.2	485.0	1680.4	511.5	1645.8	529.1		
SLS 6804 ELN	5	1421.6	437.6	1352.6	474.5	1325.0	491.3	1323.3	485.1	1280.6	505.9	1252.2	519.8		
	6	1476.8	442.8	1407.8	479.7	1380.2	496.6	1380.2	490.1	1329.0	513.8	1294.8	529.7		
	7	1532.0	448.1	1463.0	485.0	1429.9	501.9	1422.9	495.0	1371.7	518.8	1337.5	534.6		
	8	1587.3	453.4	1504.4	490.3	1476.8	507.2	1479.8	500.0	1428.6	523.7	1394.5	539.6		
	9	1642.5	453.4	1559.7	495.6	1526.5	512.4	1522.5	504.9	1471.3	531.7	1437.1	549.5		
	10	1697.7	458.7	1614.9	500.8	1581.7	519.8	1579.4	514.8	1528.2	538.6	1494.1	554.4		
	12	1802.6	468.2	1713.0	511.4	1678.1	529.7	1676.2	523.2	1623.3	550.3				
	15	1964.1	481.3	1865.3	527.2	1827.5	546.2	1825.6	539.6	1771.0	569.0				
SLS 7204 ELN	5	1494.2	481.8	1421.7	522.4	1392.7	541.0	1390.9	534.2	1346.0	557.0	1316.1	572.3		
	6	1552.3	487.6	1479.7	528.2	1450.7	546.8	1450.7	539.6	1396.9	565.8	1361.0	583.2		
	7	1610.3	493.4	1537.8	534.0	1502.9	552.6	1495.6	545.1	1441.7	571.2	1405.8	588.7		
	8	1668.3	499.2	1581.3	539.8	1552.3	558.4	1555.4	550.5	1501.6	576.7	1465.7	594.1		
	9	1726.4	499.2	1639.3	545.7	1604.5	564.2	1600.3	556.0	1546.4	585.4	1510.5	605.0		
	10	1784.4	505.0	1697.3	551.5	1662.5	572.4	1660.1	566.9	1606.3	593.0	1570.4	610.5		
	12	1894.6	515.5	1800.4	563.1	1763.8	583.3	1761.8	576.1	1706.2	605.9				
	15	2064.4	530.0	1960.5	580.5	1920.8	601.4	1918.8	594.1	1861.4	626.5				
SLS 7804 ELN	5	1570.3	509.1	1494.1	552.0	1463.6	571.6	1461.7	564.4	1414.5	588.6	1383.1	604.7		
	6	1631.3	515.2	1555.1	558.1	1524.6	577.8	1524.6	570.1	1468.0	597.8	1430.3	616.2		
	7	1692.3	521.3	1616.0	564.3	1579.4	583.9	1571.7	575.9	1515.1	603.5	1477.4	622.0		
	8	1753.2	527.5	1661.8	570.4	1631.3	590.0	1634.6	581.7	1578.0	609.3	1540.3	627.7		
	9	1814.2	527.5	1722.8	576.5	1686.2	596.2	1681.7	587.4	1625.2	618.5	1587.4	639.2		
	10	1875.2	533.6	1783.7	582.7	1747.1	604.7	1744.6	598.9	1688.0	626.6	1650.3	645.0		
	12	1991.1	544.6	1892.1	594.9	1853.6	616.3	1851.5	608.7	1793.0	640.2				
	15	2169.4	560.0	2060.3	613.3	2018.6	635.4	2016.5	627.7	1956.2	661.9				
SLS 8404 ELN	5	1618.0	538.8	1539.4	584.2	1508.0	605.0	1506.1	597.3	1457.5	622.9	1425.1	640.0		
	6	1680.8	545.3	1602.3	590.7	1570.8	611.5	1570.8	603.4	1512.5	632.7	1473.7	652.2		
	7	1743.6	551.7	1665.1	597.2	1627.4	618.0	1619.4	609.5	1561.1	638.8	1522.3	658.3		
	8	1806.5	558.2	1712.2	603.7	1680.8	624.5	1684.2	615.6	1625.9	644.9	1587.0	664.4		
	9	1869.3	558.2	1775.1	610.2	1737.4	630.9	1732.8	621.7	1674.5	654.6	1635.6	676.5		
	10	1932.1	564.7	1837.9	616.7	1800.2	640.0	1797.6	633.9	1739.3	663.1	1700.4	682.6		
	12	2051.5	576.4	1949.5	629.6	1909.9	652.2	1907.7	644.2	1847.4	677.5				
	15	2235.3	592.6	2122.9	649.1	2079.9	672.5	2077.7	664.4	2015.5	700.6				

LWT : Leaving water temperature.

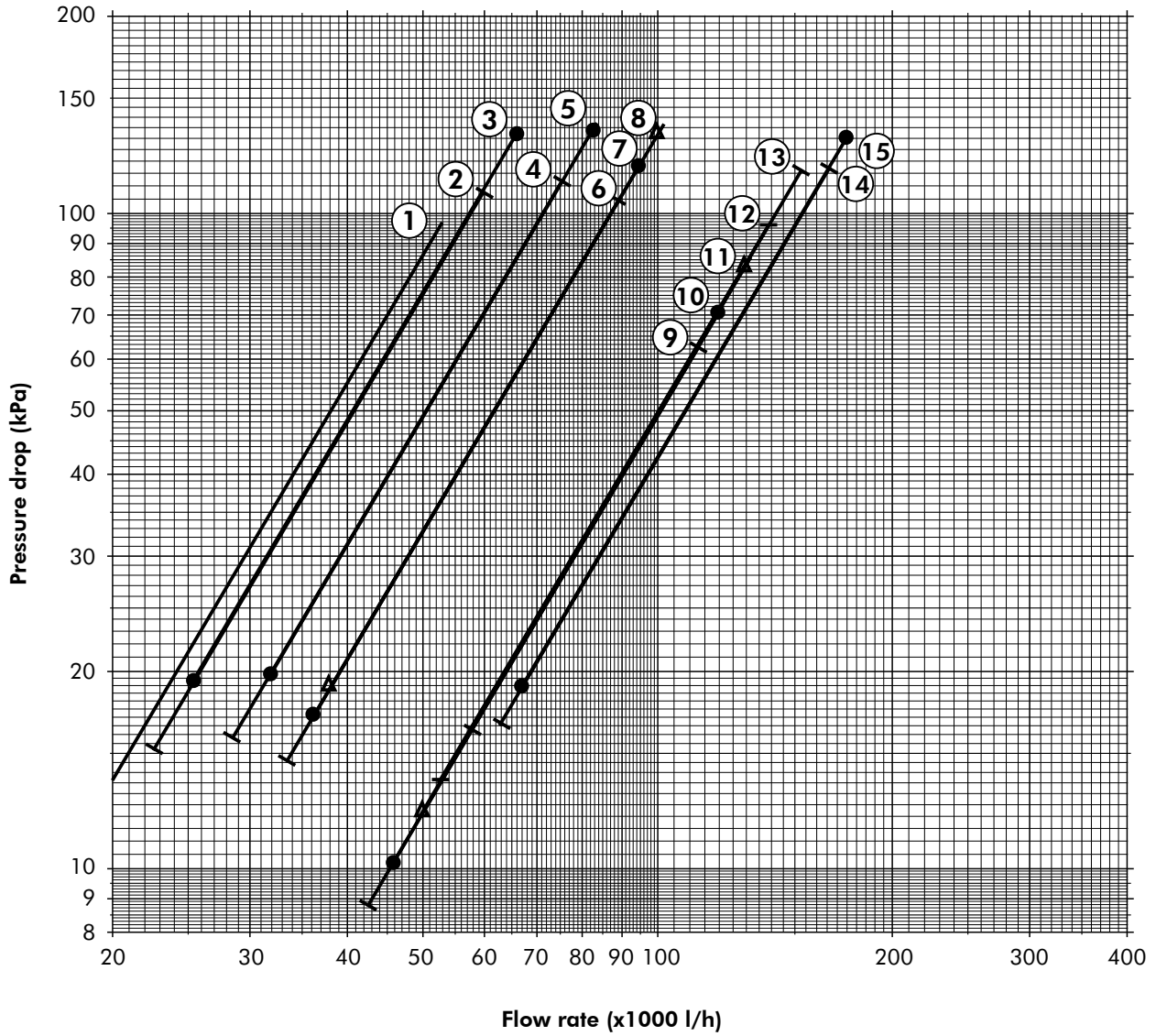
Evaporator Water Pressure Drops - SLS STD



1	SLS STD 1402	9	SLS STD 3002	17	SLS STD 5404*
2	SLS STD 1602	10	SLS STD 3202	18	SLS STD 5704*
3	SLS STD 1802	11	SLS STD 3402	19	SLS STD 6004*
4	SLS STD 1902	12	SLS STD 3602	20	SLS STD 6404*
5	SLS STD 2002	13	SLS STD 4202	21	SLS STD 6804*
6	SLS STD 2202	14	SLS STD 4602	22	SLS STD 7204*
7	SLS STD 2502	15	SLS STD 4802	23	SLS STD 8404*
8	SLS STD 2702	16	SLS STD 5004*		

(*) The water pressure drops correspond to the unit water flow rate divided by 2.

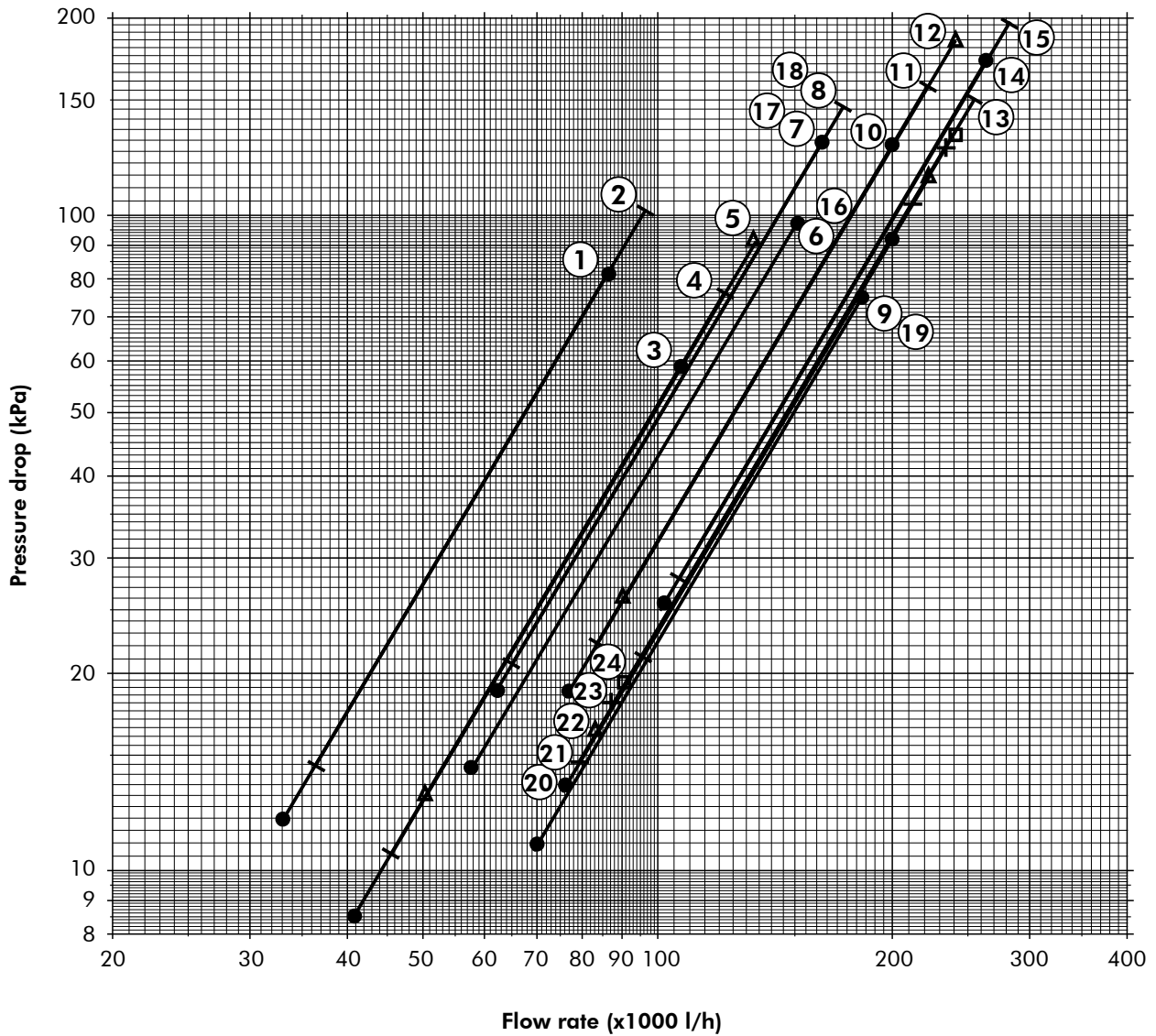
Condenser Water Pressure Drops - SLS STD with Total Heat Recovery



1	SLS STD 1402	9	SLS STD 3002
2	SLS STD 1602	10	SLS STD 3202
3	SLS STD 1802	11	SLS STD 3402
4	SLS STD 1902	12	SLS STD 3602
5	SLS STD 2002	13	SLS STD 4202
6	SLS STD 2202	14	SLS STD 4602
7	SLS STD 2502	15	SLS STD 4802
8	SLS STD 2702		

Note : Data are given for one condenser

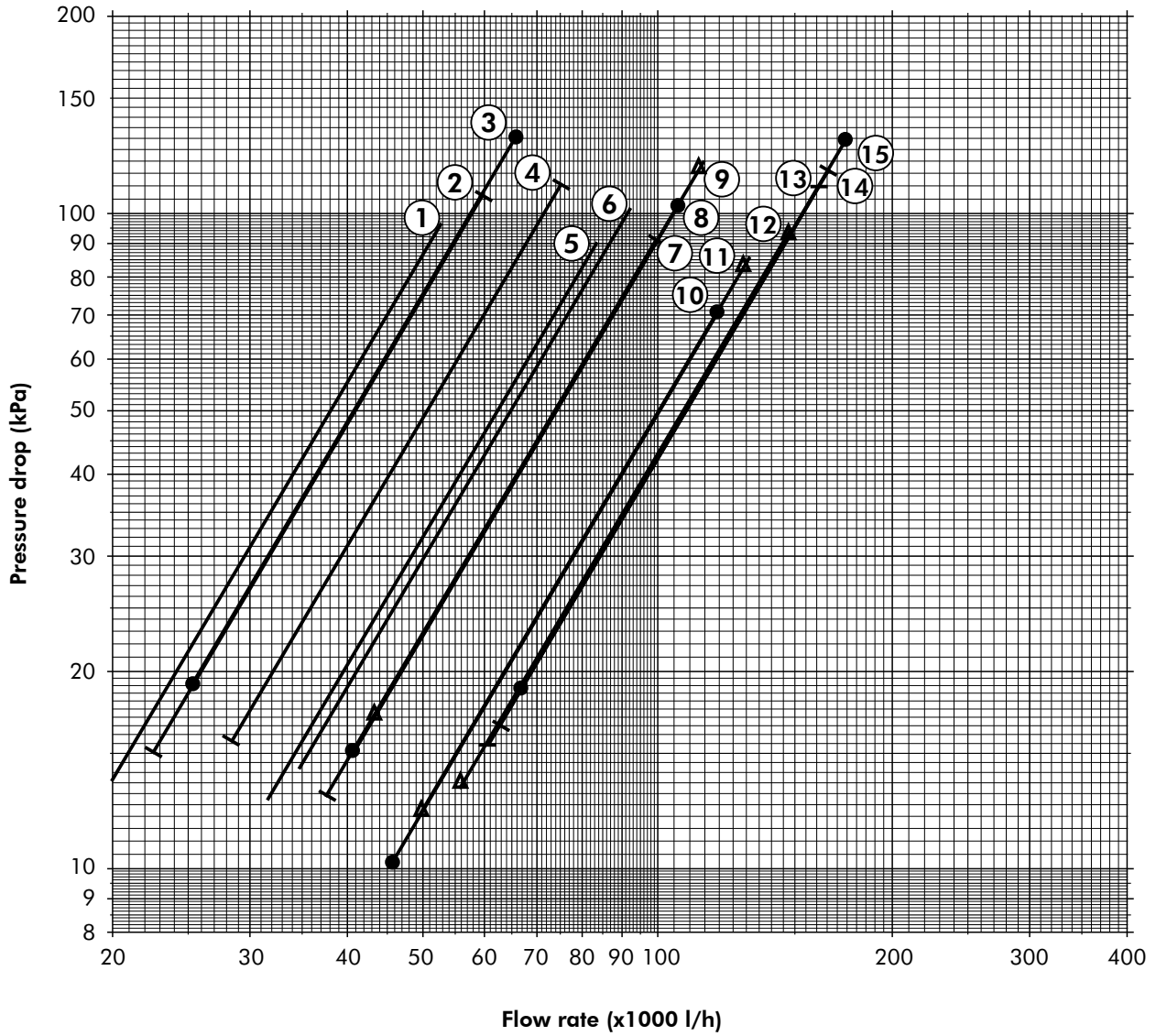
Evaporator Water Pressure Drops - SLS HE



1	SLS HE 1402	9	SLS HE 3002	17	SLS HE 5204*
2	SLS HE 1602	10	SLS HE 3202	18	SLS HE 5604*
3	SLS HE 1802	11	SLS HE 3402	19	SLS HE 6004*
4	SLS HE 1902	12	SLS HE 3602	20	SLS HE 6404*
5	SLS HE 2002	13	SLS HE 4202	21	SLS HE 6804*
6	SLS HE 2402	14	SLS HE 4602	22	SLS HE 7204*
7	SLS HE 2602	15	SLS HE 4802	23	SLS HE 7804*
8	SLS HE 2802	16	SLS HE 4804*	24	SLS HE 8404*

(*) The water pressure drops correspond to the unit water flow rate divided by 2.

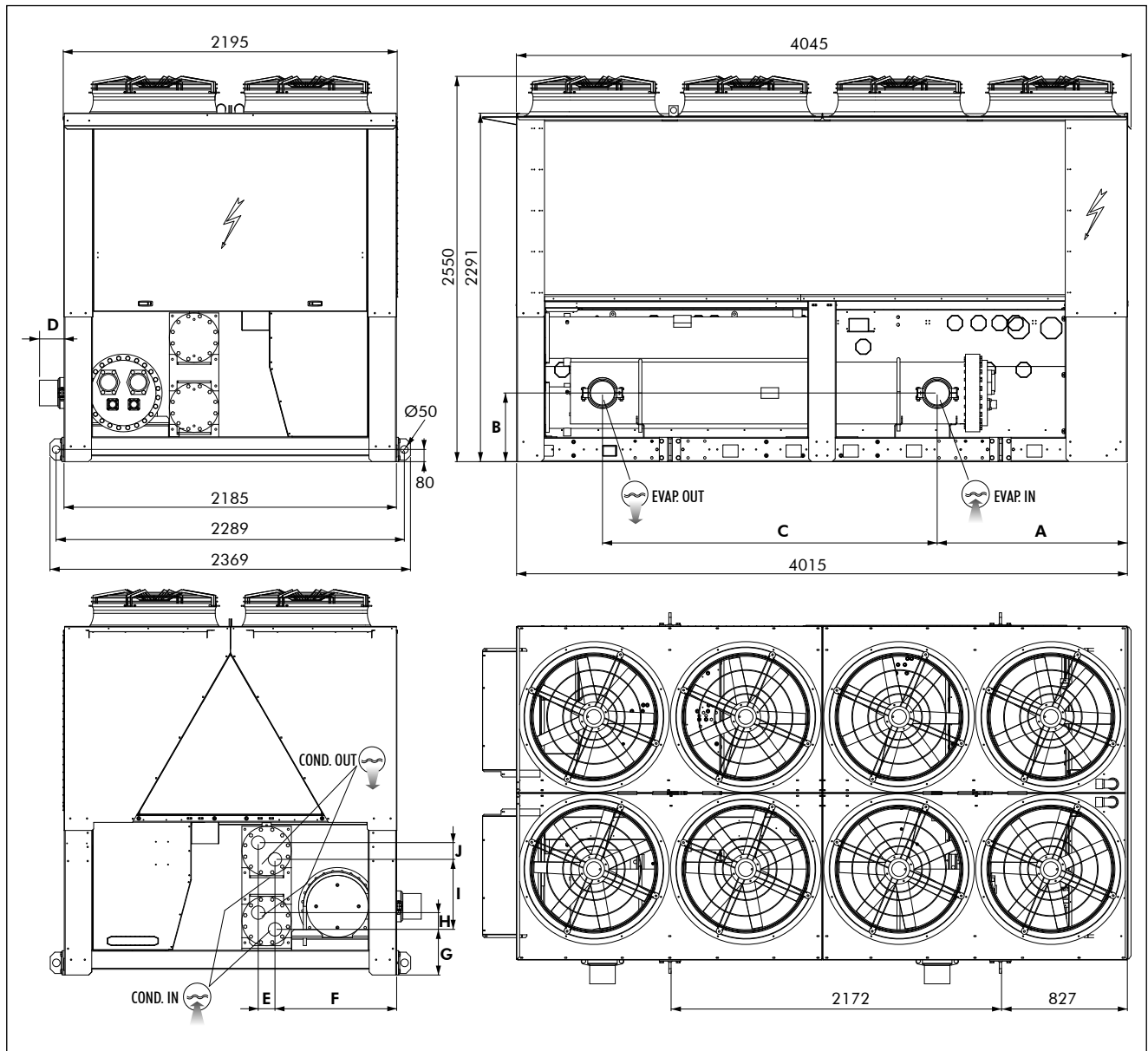
Condenser Water Pressure Drops - SLS HE with Total Heat Recovery



1	SLS HE 1402	9	SLS HE 3002
2	SLS HE 1602	10	SLS HE 3202
3	SLS HE 1802	11	SLS HE 3402
4	SLS HE 1902	12	SLS HE 3602
5	SLS HE 2002	13	SLS HE 4202
6	SLS HE 2402	14	SLS HE 4602
7	SLS HE 2602	15	SLS HE 4802
8	SLS HE 2802		

Note : Data are given for one condenser

Dimensions (mm) - 4 meter Frame



SLS STD							
Sizes	A	B	C	D	Water inlet	Water outlet	Number of fans
1402	1250	410	2250	80	DN 125	DN 125	4
1602	1250	410	2250	80	DN 125	DN 125	4
1802	1250	450	2200	160	DN 150	DN 150	6
1902	1250	450	2200	160	DN 150	DN 150	7
2002	1250	450	2200	160	DN 150	DN 150	8
2202	1250	450	2200	160	DN 150	DN 150	8
2502	1250	450	2200	160	DN 150	DN 150	8
2702	1250	450	2200	160	DN 150	DN 150	8

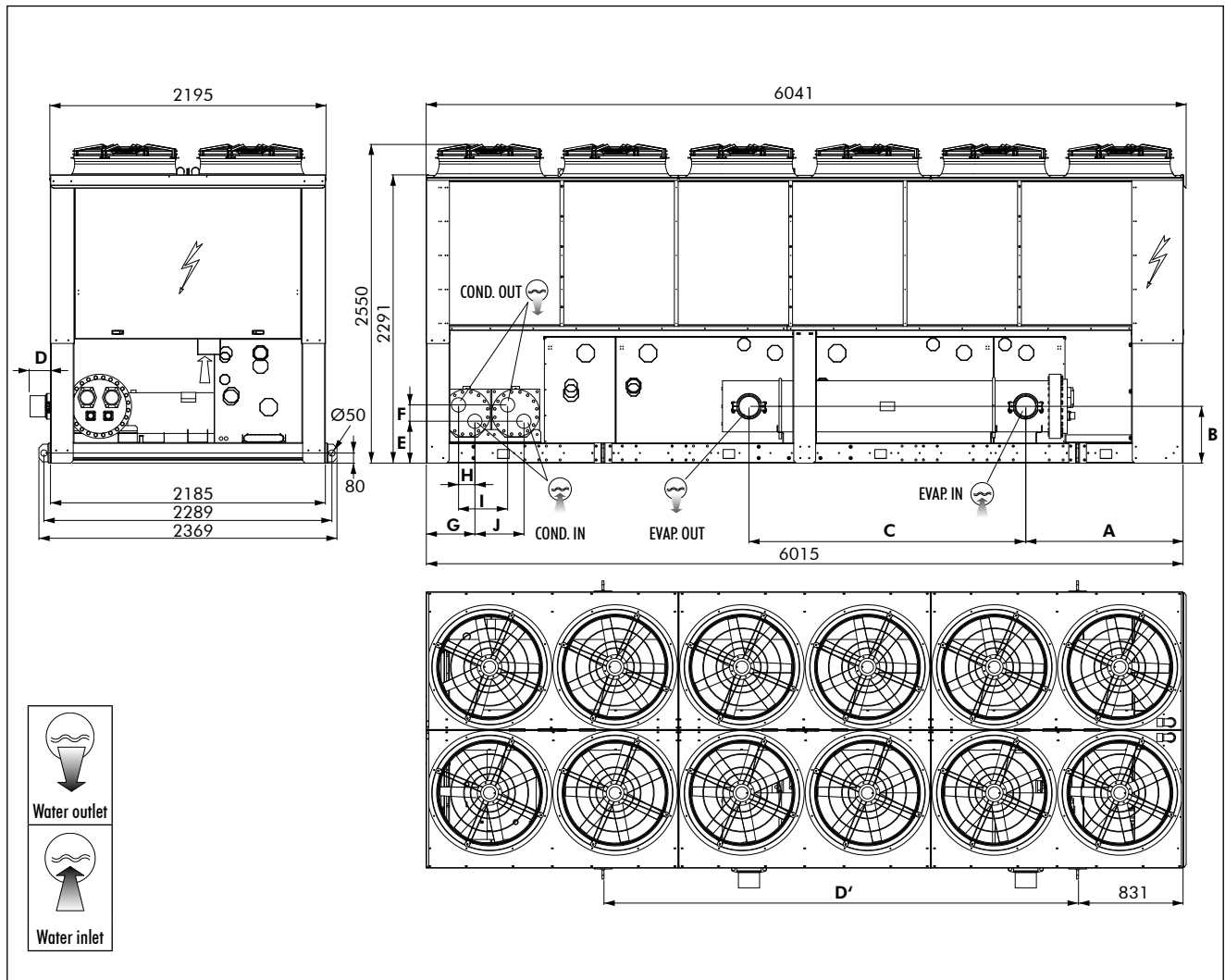
SLS STD with total heat recovery															
Sizes	A	B	C	D	E	F	G	H	I	J	Evaporator		Heat recovery condensers		Number of fans
											Water inlet	Water outlet	Water inlet	Water outlet	
1402	1250	410	2250	80	70	820	300	70	340	70	DN 125	DN 125	G 2"1/2	G 2"1/2	4
1602	1250	410	2250	80	70	820	300	70	340	70	DN 125	DN 125	G 2"1/2	G 2"1/2	4
1802	1250	450	2200	160	70	820	300	70	340	70	DN 150	DN 150	G 2"1/2	G 2"1/2	6
1902	1250	450	2200	160	110	800	300	110	460	110	DN 150	DN 150	G 3"	G 3"	7
2002	1250	450	2200	160	110	800	300	110	460	110	DN 150	DN 150	G 3"	G 3"	8
2202	1250	450	2200	160	110	800	300	110	460	110	DN 150	DN 150	G 3"	G 3"	8
2502	1250	450	2200	160	110	800	300	110	460	110	DN 150	DN 150	G 3"	G 3"	8
2702	1250	450	2200	160	110	800	300	110	460	110	DN 150	DN 150	G 3"	G 3"	8



SLS HE							
Sizes	A	B	C	D	Water inlet	Water outlet	Number of fans
1402	1250	410	2250	80	DN 125	DN 125	6
1602	1250	410	2250	80	DN 125	DN 125	6
1802	1250	450	2200	160	DN 150	DN 150	8
1902	1250	450	2200	160	DN 150	DN 150	8

SLS HE with total heat recovery															
Sizes	A	B	C	D	E	F	G	H	I	J	Evaporator		Heat recovery condensers		Number of fans
											Water inlet	Water outlet	Water inlet	Water outlet	
1402	1250	410	2250	80	70	820	300	70	340	70	DN 125	DN 125	G 2"1/2	G 2"1/2	6
1602	1250	410	2250	80	70	820	300	70	340	70	DN 125	DN 125	G 2"1/2	G 2"1/2	6
1802	1250	450	2200	160	70	820	300	70	340	70	DN 150	DN 150	G 2"1/2	G 2"1/2	8
1902	1250	450	2200	160	110	800	300	110	460	110	DN 150	DN 150	G 3"	G 3"	8

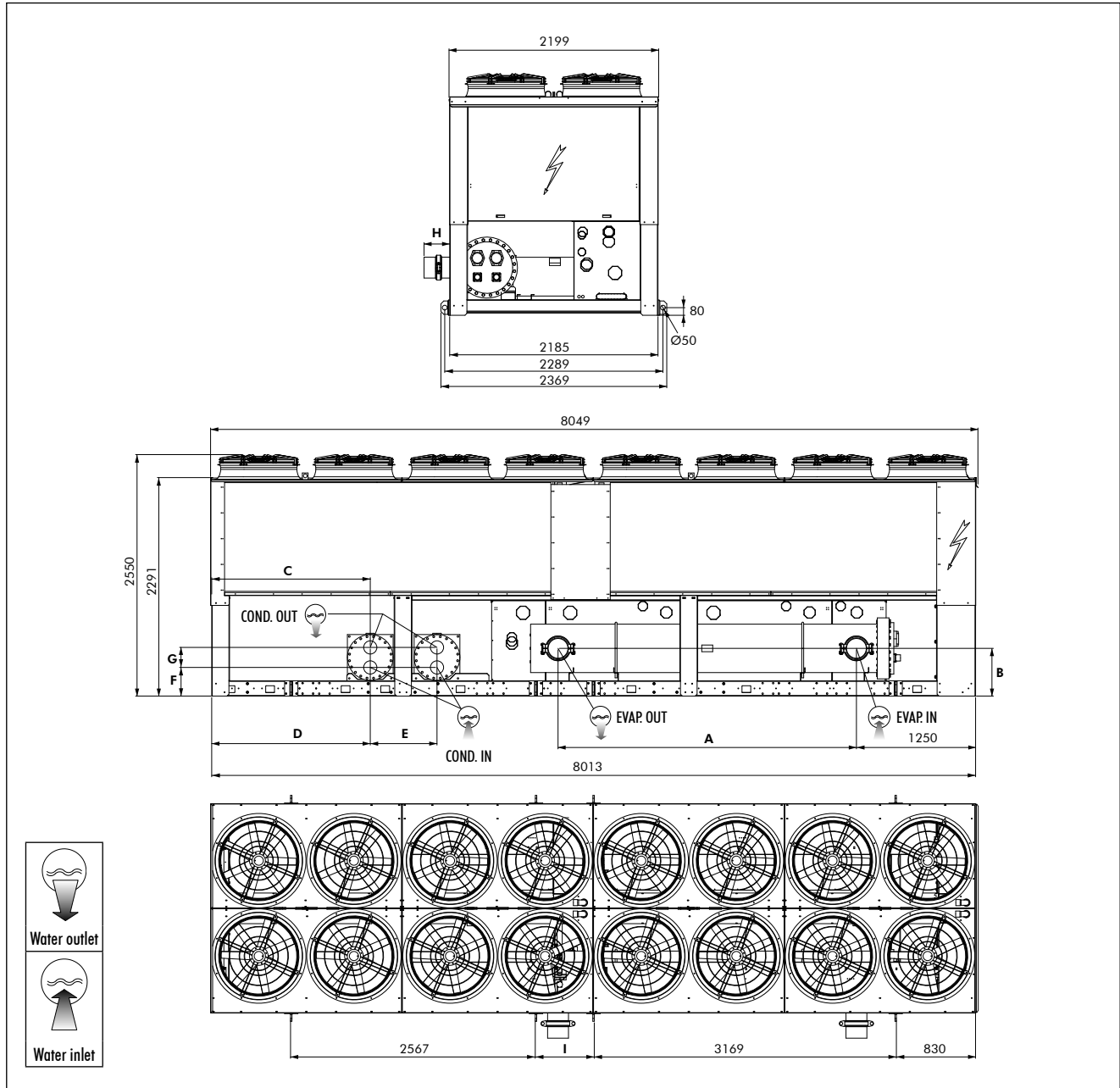
Dimensions (mm) - 6 meter Frame



SLS STD									SLS STD with total heat recovery																
Sizes	A	B	C	D	D'	Water inlet	Water outlet	Number of fans	Sizes	A	B	C	D	D'	E	F	G	H	I	J	Evaporator		Heat recovery condensers		Number of fans
																					Water inlet	Water outlet	Water inlet	Water outlet	
3002	1250	450	2700	160	3772	DN 150	DN 150	12	3002	1250	450	2700	160	3772	333	130	386	130	390	390	DN 150	DN 150	G4"	G4"	12
3202	1250	467	3200	195	3168	DN 200	DN 200	12	3202	1250	467	3200	195	3772	333	130	386	130	390	390	DN 200	DN 200	G4"	G4"	12
3402	1250	467	3200	195	3168	DN 200	DN 200	12	3402	1250	467	3200	195	3772	333	130	386	130	390	390	DN 200	DN 200	G4"	G4"	12
3602	1250	467	3200	195	3168	DN 200	DN 200	12	3602	1250	467	3200	195	3772	333	130	386	130	390	390	DN 200	DN 200	G4"	G4"	12
4202	1250	500	3200	195	3168	DN 200	DN 200	12	4202	1250	500	3200	195	3772	333	130	386	130	390	390	DN 200	DN 200	G4"	G4"	12

SLS HE									SLS HE with total heat recovery																
Sizes	A	B	C	D	D'	Water inlet	Water outlet	Number of fans	Sizes	A	B	C	D	D'	E	F	G	H	I	J	Evaporator		Heat recovery condensers		Number of fans
																					Water inlet	Water outlet	Water inlet	Water outlet	
2002	1250	450	2200	160	3772	DN 150	DN 150	8	2002	1250	450	2200	160	3772	335	110	429	110	365	365	DN 150	DN 150	G3"	G3"	8
2402	1250	450	2200	160	3772	DN 150	DN 150	10	2402	1250	450	2200	160	3772	335	110	429	110	365	365	DN 150	DN 150	G3"	G3"	10
2602	1250	450	2700	160	3772	DN 150	DN 150	10	2602	1250	450	2700	160	3772	335	110	429	110	365	365	DN 150	DN 150	G3"	G3"	10
2802	1250	450	2700	160	3772	DN 150	DN 150	10	2802	1250	450	2700	160	3772	335	110	429	110	365	365	DN 150	DN 150	G3"	G3"	10
3002	1250	465	2630	245	3772	DN 200	DN 200	12	3002	1250	465	2630	245	3772	335	110	429	110	365	365	DN 200	DN 200	G3"	G3"	12

Dimensions (mm) - 8 meter Frame (two circuits)



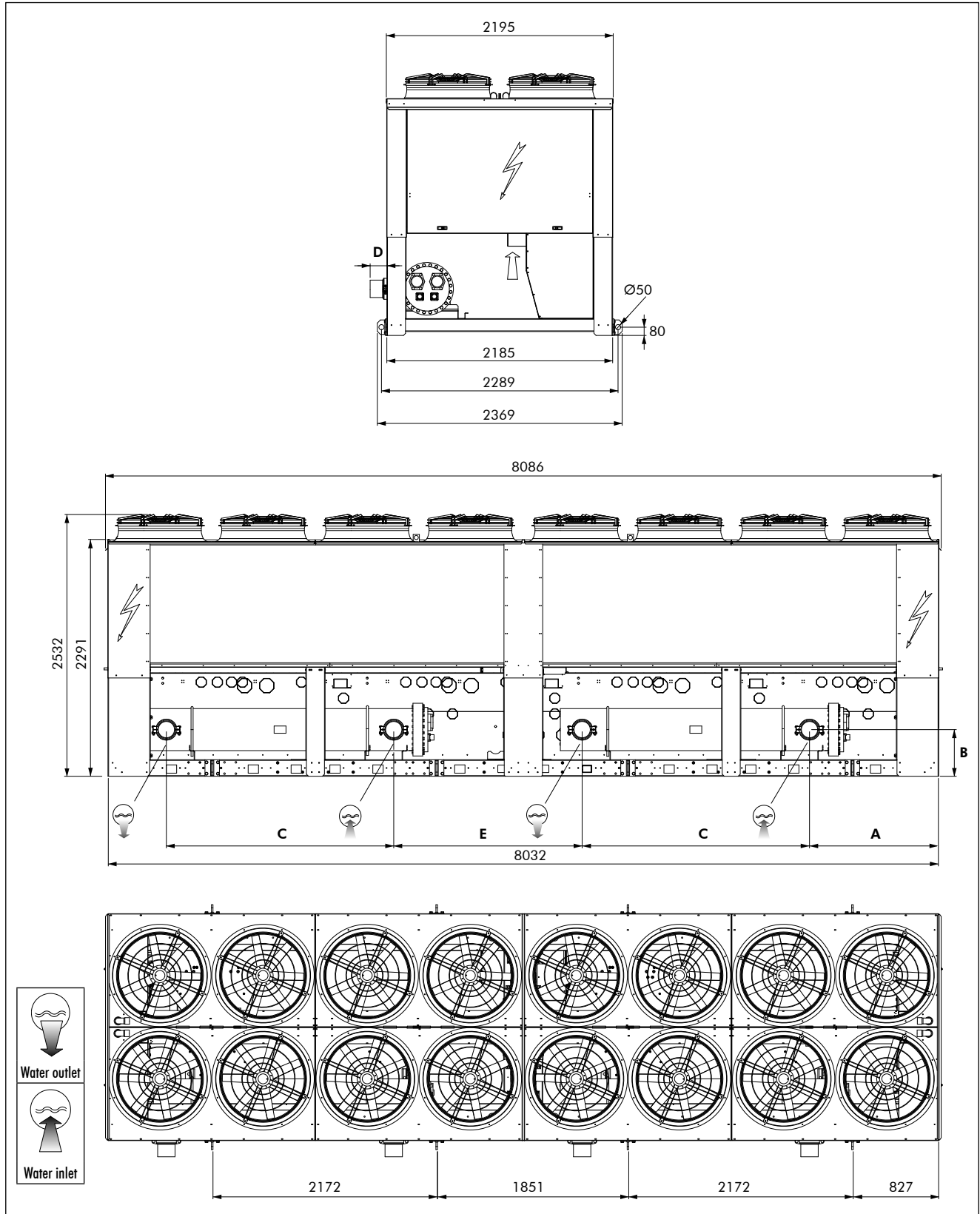
SLS STD							
Sizes	A	B	H	I	Water inlet	Water outlet	Number of fans
4602	3130	500	270	604	DN 200	DN 200	14
4802	3130	500	270	604	DN 200	DN 200	14

SLS STD with total heat recovery														
Sizes	A	B	C	D	E	F	G	H	I	Evaporator		Heat recovery condensers		Number of fans
										Water inlet	Water outlet	Water inlet	Water outlet	
4602	3130	500	1663	1663	700	300	210	270	619	DN 200	DN 200	G5"	G5"	14
4802	3130	500	1663	1663	700	300	210	270	619	DN 200	DN 200	G5"	G5"	14

SLS HE							
Sizes	A	B	H	I	Water inlet	Water outlet	Number of fans
3202	3200	467	195	604	DN 200	DN 200	14
3402	3200	467	195	604	DN 200	DN 200	14
3602	3200	467	195	604	DN 200	DN 200	16
4202	3200	500	195	604	DN 200	DN 200	16
4602	3130	500	270	604	DN 200	DN 200	16
4802	3130	500	270	604	DN 200	DN 200	16

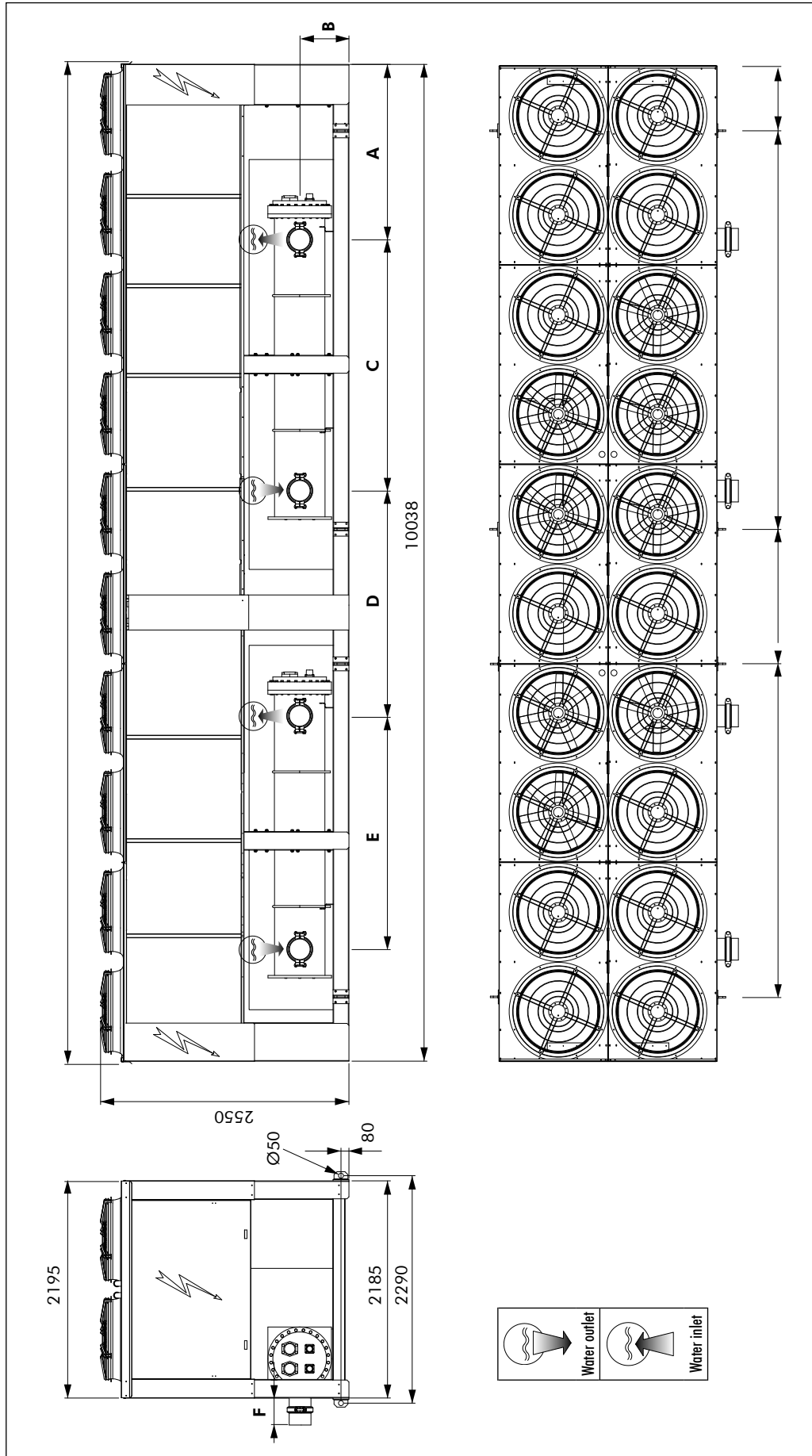
SLS HE with total heat recovery														
Sizes	A	B	C	D	E	F	G	H	I	Evaporator		Heat recovery condensers		Number of fans
										Water inlet	Water outlet	Water inlet	Water outlet	
3202	3200	467	2254	2384	390	130	333	194	619	DN 200	DN 200	G4"	G4"	14
3402	3200	467	2254	2384	390	130	333	194	619	DN 200	DN 200	G4"	G4"	14
3602	3200	467	1663	1663	700	300	210	194	619	DN 200	DN 200	G5"	G5"	16
4202	3200	467	1663	1663	700	300	210	194	619	DN 200	DN 200	G5"	G5"	16
4602	3130	500	1663	1663	700	300	210	270	619	DN 200	DN 200	G5"	G5"	16
4802	3130	500	1663	1663	700	300	210	270	619	DN 200	DN 200	G5"	G5"	16

Dimensions (mm) - 8 meter Frame (four circuits)



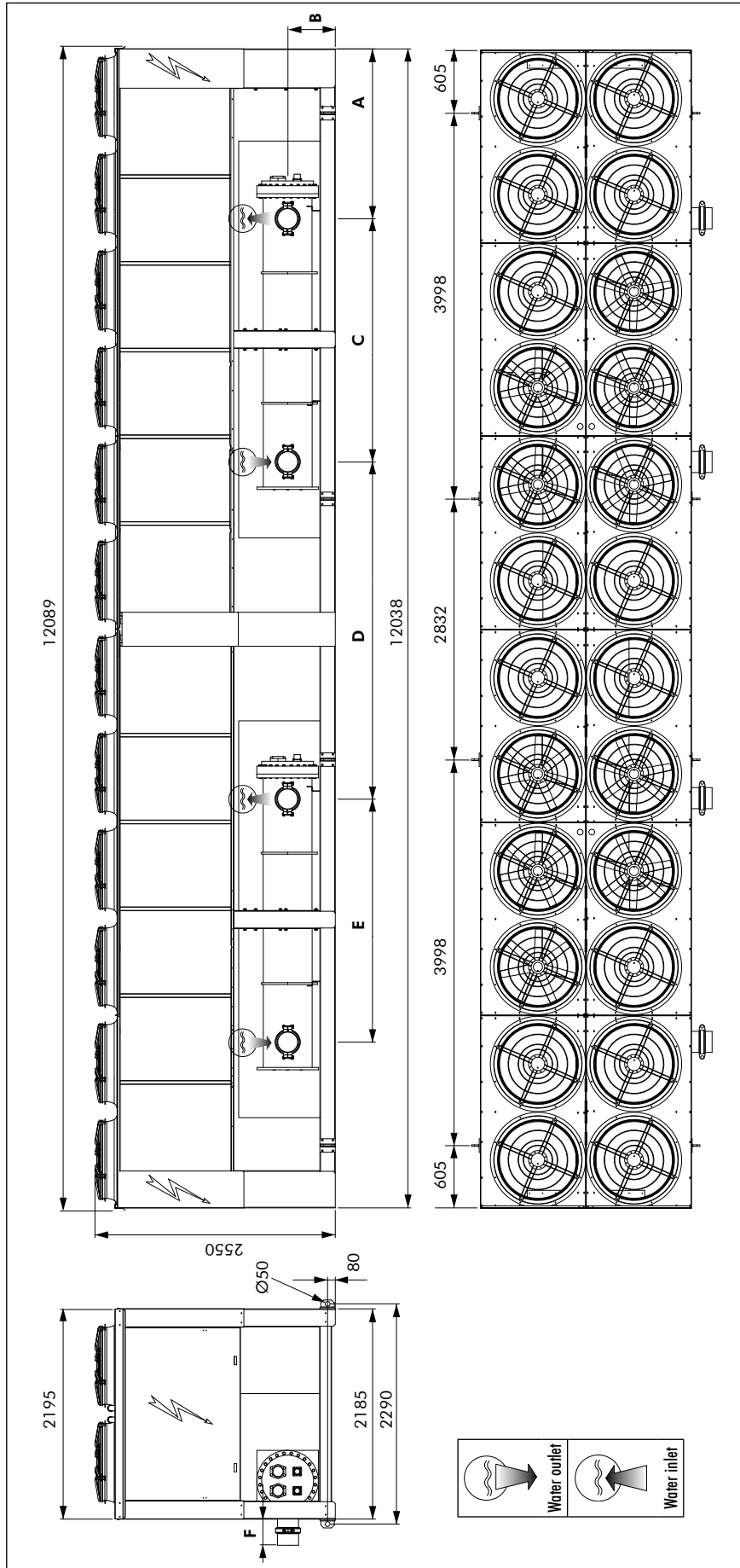
SLS STD								
Sizes	A	B	C	D	E	Water inlet	Water outlet	Number of fans
5004	1250	451	2200	127	1823	DN 150	DN 150	16
5404	1250	451	2200	127	1823	DN 150	DN 150	16

Dimensions (mm) - 10 meter Frame



SLS STD									
Sizes	A	B	C	D	E	F	Water inlet	Water outlet	Number of fans
5704	1250	451	2700	3323	2200	162	DN 150	DN 150	20

Dimensions (mm) - 12 meter Frame



SIS HE									
Sizes	A	B	C	D	E	F	Water inlet	Water outlet	Number of fans
4804	1250	451	2200	3823	2200	162	DN 150	DN 150	20
5204	1250	451	2700	3223	2700	162	DN 150	DN 150	20
5604	1250	451	2700	3223	2700	162	DN 150	DN 150	20
6004	1250	466	2630	3393	2630	245	DN 200	DN 200	24
6404	1250	500	3200	2823	3200	195	DN 200	DN 200	24
6804	1250	500	3200	2823	3200	195	DN 200	DN 200	24
7204	1250	500	3200	2823	3200	195	DN 200	DN 200	24
7804	1250	500	3200	2823	3200	195	DN 200	DN 200	24
8404	1250	500	3200	2823	3200	195	DN 200	DN 200	24

SIS STD									
Sizes	A	B	C	D	E	F	Water inlet	Water outlet	Number of fans
6004	1250	451	2700	3323	2700	162	DN 150	DN 150	24
6404	1250	467	3200	2823	3200	195	DN 200	DN 200	24
6804	1250	467	3200	2823	3200	195	DN 200	DN 200	24
7204	1250	467	3200	2823	3200	195	DN 200	DN 200	24
8404	1250	500	3200	2823	3200	195	DN 200	DN 200	24

Airwell

As part of our ongoing product improvement programme, our products are subject to change without prior notice. Non contractual photos.



CAC Export Department
42 cours Jean-Jaurès
17800 Pons - France
Tel. : +33 (0)5 46 92 33 33 - Fax : +33 (0)5 46 91 26 44

Your distributor :