










Other circular products



Lindab	1
General information and theory	2
Safe	3
Silencers	4
Dampers & Measure units	5
Fire dampers & Smoke evacuation	6
Air valves	7
Roof hoods	8
Other circular products	9
Transfer	10
Rectangular	11
Flexible ducting	12
Isol	13
Access doors	14
Smart tools	15
Duct suspensions & Support systems	16
Fastening material	17
Index	18

Content – Other circular products

1	Air entry nozzle	IMSKU..... 483
2		
3	Jet for air entry nozzle	DY 484
4		
5	Plenum or distribution chamber	SLRU..... 485
6		PVCU 486 MCWU 487
7	Duct filter	STR 488
8		
9	Sealing clamp	SVK 489
10		
11	End cover	EP..... 490
12		
13	Flanges	FL 491
14		
15	Wall stubs	TVILU 492 TVIL..... 493
16		
17	Safety grill	BSV 494
18		

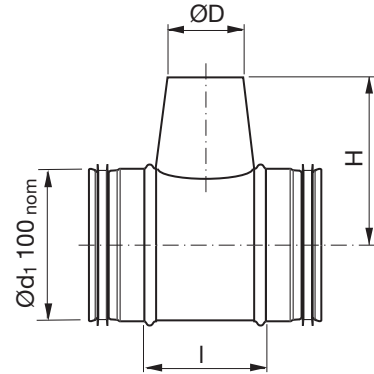
Coverl	SRC495
	

Air entry nozzle

IMSKU

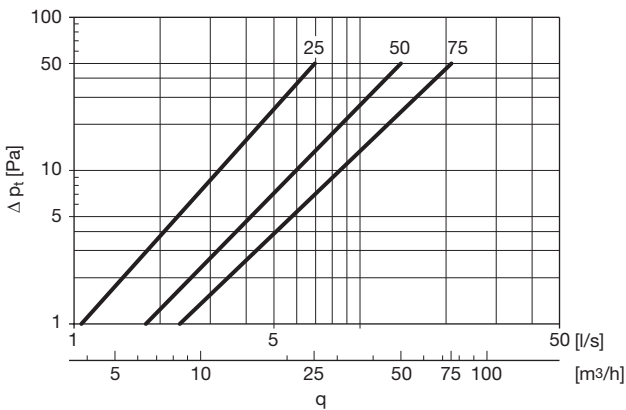


Dimensions



Description

Used for ducting in bomb shelters, and is dimensioned for the air volumes specified by the Civil Defence Board regulations.



Size nom	ØD mm	I mm	H mm	m kg
25	35	85	95	0,31
50	50	110	110	0,38
75	60	110	110	0,39

Size nom	q _{max} m³/h	Maximum no. of persons
25	25	10
50	50	20
75	75	30

Ordering example

Product	IMSKU	75
Type		
Size		

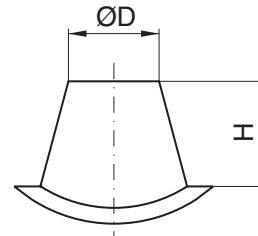
- 1
- 2
- 3
- 4
- 5
- 6
- 7
- 8
- 9
- 10
- 11
- 12
- 13
- 14
- 15
- 16
- 17
- 18

Jet for air entry nozzle

DY



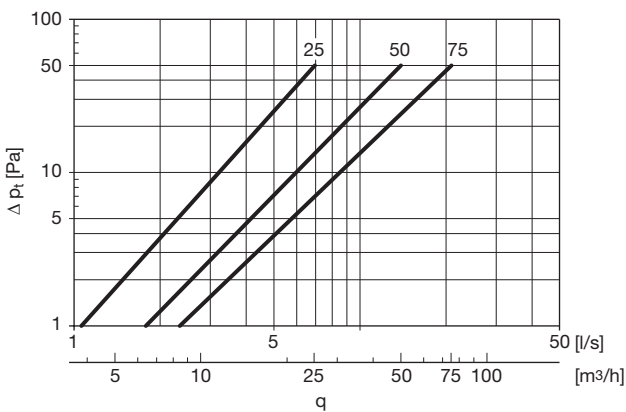
Dimensions



Description

Used for ducting in bomb shelters, and is dimensioned for the air volumes specified by the Civil Defence Board regulations.

Size nom	ØD mm	H mm	m kg
25	35	45	0,04
50	50	60	0,09
75	60	60	0,10



Size nom	q _{max} m³/h	Maximum no. of persons
25	25	10
50	50	20
75	75	30

Ordering example

Product	DY	75
Type		
Size		

Plenum or distribution chamber

SLRU



Description

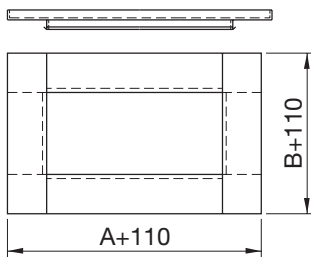
Intended for installation beneath joists, for collection or distribution of connected ducts underneath. The number of ducts for each size is noted in the table.

The plenum or distribution chamber is clad internally with fire protection insulation of 50 or 100 mm thickness. The insulation is protected by perforated sheet metal steel against damages from cleaning procedures.

The chamber has a simply removable lid.

RAM

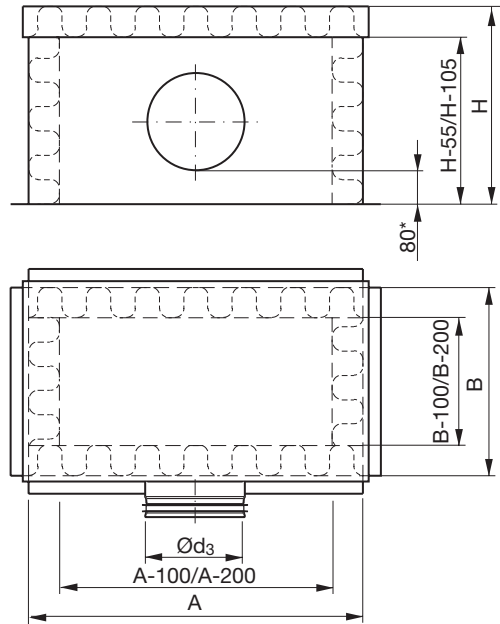
- Casting-in frame



Used to locate plenum or distribution chamber SLRU in. The chamber is locked to the frame with folding flaps.

Other dimensions can be made to order.

Dimensions



Ordering example

	SLRU	1300	310	355	50	0
Product						
Length	A					
Width	B					
Height	H					
Insulation thickness	50 alt. 100					
Casting-in frame	0 = without, 1 = with					

Ød ₃ Nm	Insulation thickness								Maximum no. of connected ducts						Frame m kg
	50 mm				100 mm				Ød _{nom}						
	A* mm	B* mm	H* mm	m kg	A* mm	B* mm	H* mm	m kg	63	80	100	125	160	200	
160	310	310	355	7,23	410	410	405	14,3	1	1	1	1	1	1	3,08
160	550	310	355	10,6	650	410	405	19,9	3	3	3	2	2	2	3,52
200	700	310	355	12,8	800	410	405	23,7	4	4	4	4	3	2	4,28
200	900	310	355	15,7	1000	410	405	28,5	5	5	5	5	4	3	4,90
200	1100	310	355	18,5	1200	410	405	33,1	7	7	6	6	5	4	5,52
200	1300	310	355	21,4	1400	410	405	37,8	8	8	8	8	6	5	6,14

* Tolerance ±5 mm

Plenum box

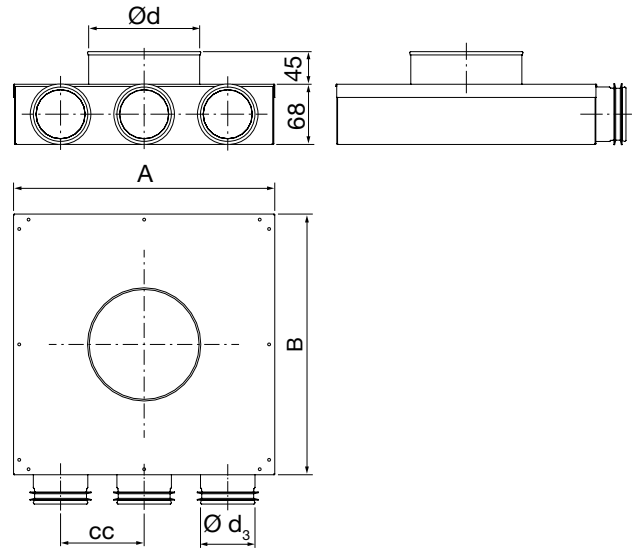
PVCU



Description

The plenum box is intended for supply and exhaust air. It is intended to accommodate a valve. It is designed for ceiling installation but can be used at other locations as well. All types have $\varnothing 63$ mm studs with Lindab Safe sealings for connections of either SR 63 spiral-seamed duct or semiflexible duct LFPE. Each $\varnothing 63$ connection is equipped with a clip to hold the semiflexible duct LFPE – Smart lock function. Fulfils the requirements for air tightness class D. The shown pressure drop is for the box alone, which means that the pressure drop for the valve has to be added.

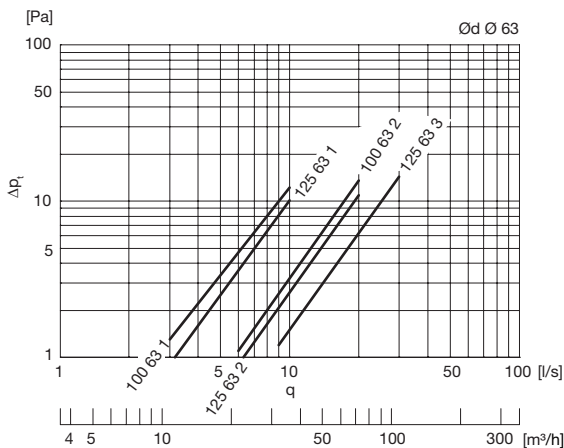
Dimensions



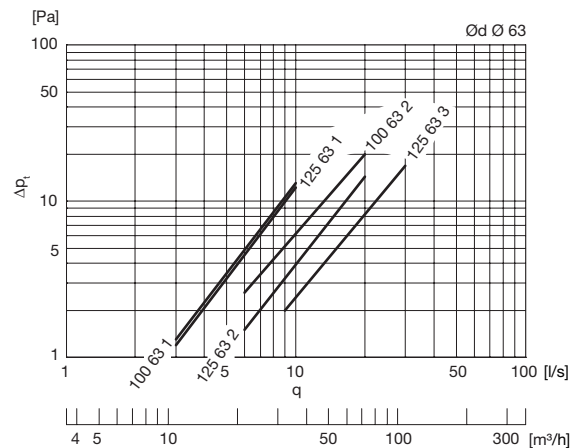
$\varnothing d$ nom	$\varnothing d_3$ nom	# of $\varnothing 63$	A mm	B mm	cc mm	m kg
100	63	1	184	184	95	0,66
100	63	2	206	206	95	0,80
125	63	1	184	184	95	0,66
125	63	2	206	206	95	0,80
125	63	3	297	297	95	1,36

Technical data

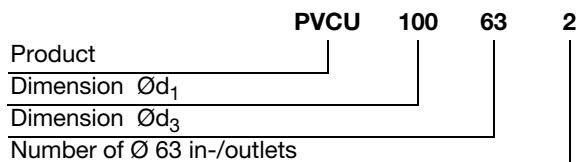
Supply



Exhaust



Ordering example



Manifold

MCWU



Description

Manifold to connect vertical ducts to the horizontal ducts in the casting-in screed.

Can be used for exhaust air as well as for supply air.

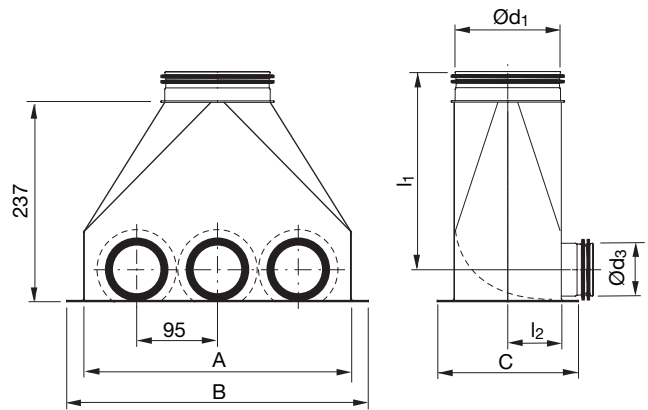
The internal pressure drop is minimized due to the internal turning vane.

Easy to clean in connection with T-piece and cover (TCPU+EPF), which gives access to the duct system up to the air handling unit.

The Smart lock function allows you to fasten semiflexible ducts LFPE effortlessly to the Ø 63 connections.

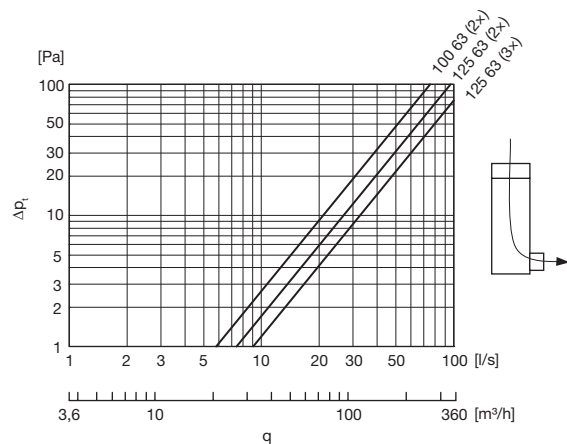
Fulfills air tightness class D.

Dimensions

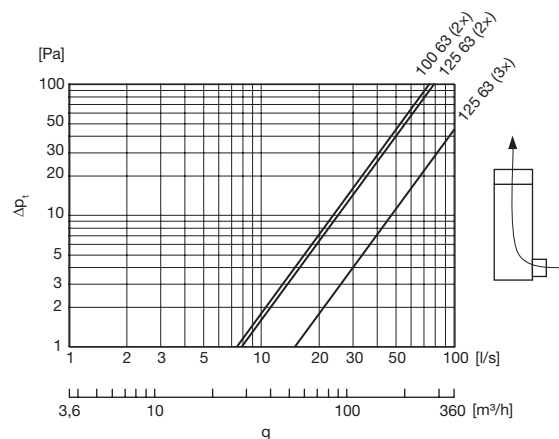


Ød ₁ nom	Ød ₃ nom	Studs pcs	l ₁ mm	l ₂ mm	A mm	B mm	C mm	m kg
100	63	263	199	53	205	250	150	0,99
125	63	263	199	64	205	250	173	1,11
125	63	363	199	64	295	340	173	1,52

Distribution (supply air)



Accumulation (exhaust air)



Ordering example

Product	MCWU	100	63	2
Dimension Ød ₁				
Dimension Ød ₃				
Number of Ø 63 in-/outlets				

Duct filter

STR



Description

The duct filter fits in all fittings with a Safe-groove. To install the filter in a T-piece means a simple mounting and replacing.

The special tapered shape gives 4–5 times larger filter area than the equivalent duct cross section area, giving lower pressure drop and longer exchange intervals than the equivalent flat filter.

Standard filter class is G4, but class F5 is optionally available. The diagram shows the pressure drop across a clean filter, including T-piece. The filter can be used to twice this pressure drop. It is a good idea to dimension the system for the average value.

$$\Delta p_{t \text{ dim}} = 1,5 \cdot \Delta p_{t \text{ clean}}$$

Max temperature = 120 °C

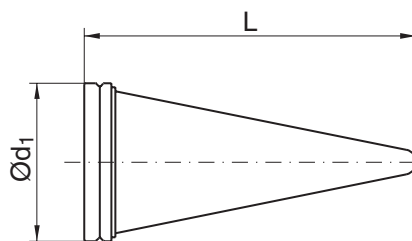
Highest recommended air speed in the duct.

Filter class	v _{max} (m/s)
G4	10
F5	4,5

Ordering example

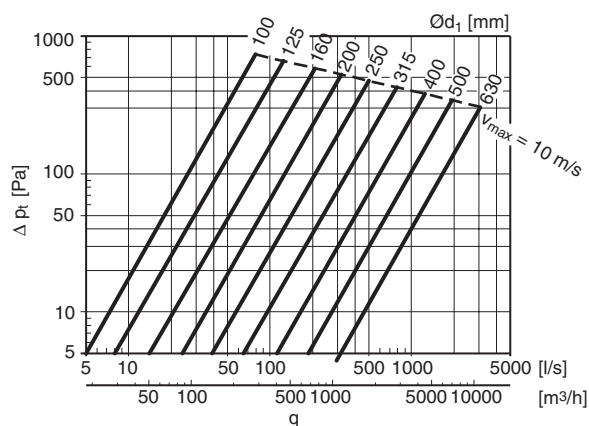
Product	STR	200	G4
Dimension Ød ₁			
Filter class			

Dimensions

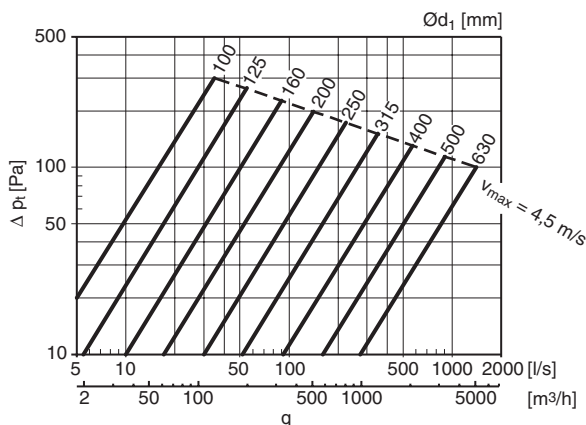


Ød ₁ Nm	L mm	tolerance mm	area m ²	m kg
100	220	± 20	0,04	0,04
125	260	± 20	0,05	0,08
160	340	± 20	0,09	0,12
200	420	± 25	0,14	0,16
250	540	± 30	0,22	0,23
315	670	± 30	0,34	0,36
400	860	± 35	0,55	0,59
500	1100	± 50	0,89	0,72
630	1350	± 50	1,37	0,91

Filter class G4



Filter class F5

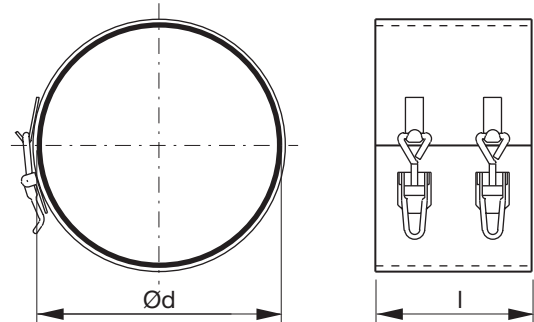


Sealing clamp

SVK



Dimensions



Description

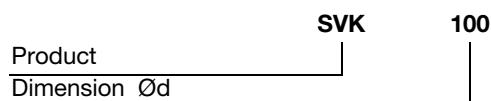
Removable sealing clamp made from galvanised sheet steel. Coated internally with a thick EPDM foam rubber seal.

The sealing clamp can join two ducts together, fitting to duct or duct to fitting.

The sealing clamp is very useful when you want to be able to remove a fitting or a unit from a ventilation system, and can also be used to advantage for repairing a duct system.

Ød nom	l mm	m kg
80	130	0,30
100	130	0,34
125	130	0,40
160	130	0,46
200	130	0,59
250	190	0,94
315	190	1,17
400	250	1,42
500	250	1,75

Ordering example



- 1
- 2
- 3
- 4
- 5
- 6
- 7
- 8
- 9
- 10
- 11
- 12
- 13
- 14
- 15
- 16
- 17
- 18

End cap

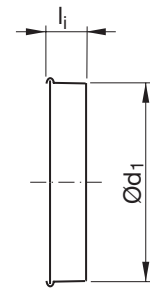
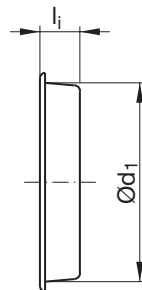
EP



Dimensions

Ø 63-500

Ø 630-1250



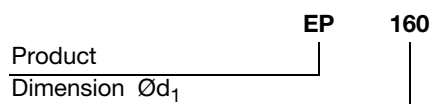
Description

Fits inside a duct.

Ød ₁ nom	l _i mm	m kg
63	20	0,03
80	21	0,05
100	23	0,09
125	20	0,09
160	22	0,14
200	20	0,19
250	26	0,27
315	21	0,51
400	20	0,76
500	20	1,22
630 *	80	2,41
800 *	100	4,87
1000 *	100	7,09
1250 *	120	15,5

* Hand made

Ordering example



Flat bar flange

FL

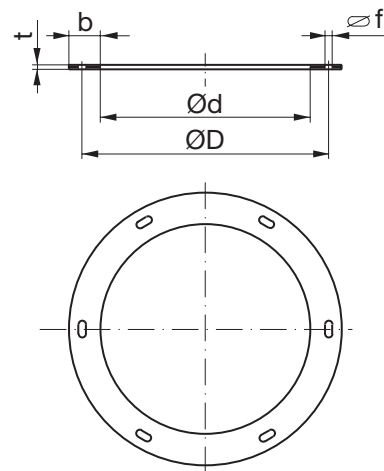


Description

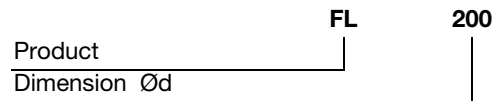
Heavy flange made from flat bar which then is hot dip galvanized. It suits both spirally swaged and lengthways swaged ducts. Oval bolt holes facilitate assembly.

Other dimensions and hole spacings can be provided for large orders.

Dimensions



Ordering example



Dimensions

Ød			ØD		f mm	Bolts to DIN 601			b x t mm	m kg						
nom mm	real mm	tolerance mm	real mm	tolerance mm		quantity pcs	dim	L mm								
80	82,5	+1,0 -0,0	108	±1,0	7,0 x 16	4	M6	16	25 x 3	0,18						
100	102		129							0,22						
112	114		141							0,25						
125	127		155							0,30						
140	142	+1,5 -0,0	176			±1,5				9,5 x 20	6	M8	20	30 x 4	0,49	
150	152		184												0,52	
160	162		194		0,55											
180	182		213		0,60											
200	203		235		0,70											
224	227		259		0,74											
250	253	286	0,81													
280	283	+2,0 -0,0	322		±1,5		11,5 x 24	8	M10	25	35 x 5	1,31				
300	303		341	1,40												
315	319,5		356	1,47												
355	359,5		395	1,63												
400	404,5	+2,0 -0,0	438	±1,5				11,5 x 24				12	M10	25	40 x 5	1,80
450	454,5		487			2,02										
500	505		541			2,35										
560	565,5	+2,0 -0,0	605			±1,5	11,5 x 24		16	M10	25	50 x 6				2,81
600	605,5		644													3,00
630	635,5		674													3,15
710	716		751					3,54								
800	806,5	+2,0 -0,0	850					±1,5	11,5 x 24				24	M10	25	50 x 6
900	907		951		4,39											
1000	1007,5		1052		4,89											
1120	1128		1174		8,36											
1250	1258	1311	9,32													
1400	1410	1465	10,4													
1600	1610		1665				32					11,8				

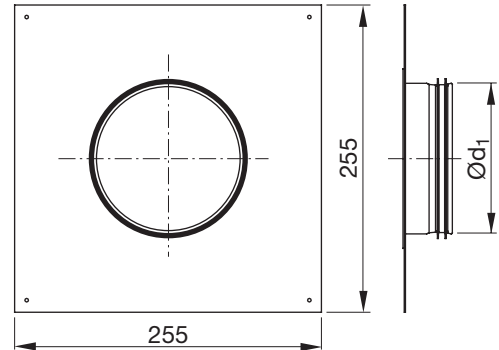
Casting-in programme – Wall stub

TVILU

- 1
- 2
- 3
- 4
- 5
- 6
- 7
- 8
- 9
- 10
- 11
- 12
- 13
- 14
- 15
- 16
- 17
- 18



Dimensions

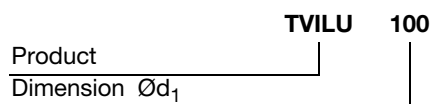


Description

With Safe connection.

Ød ₁ nom	m kg
100	0,29
125	0,31
160	0,32

Ordering example



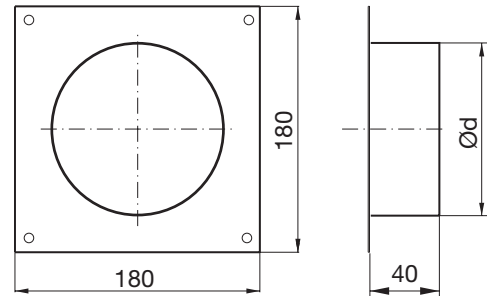
Casting-in programme – Wall stub

TVIL



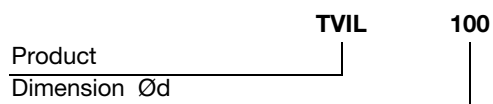
Description
With female end.

Dimensions



Ød nom	m kg
100	0,15
125	0,20

Ordering example

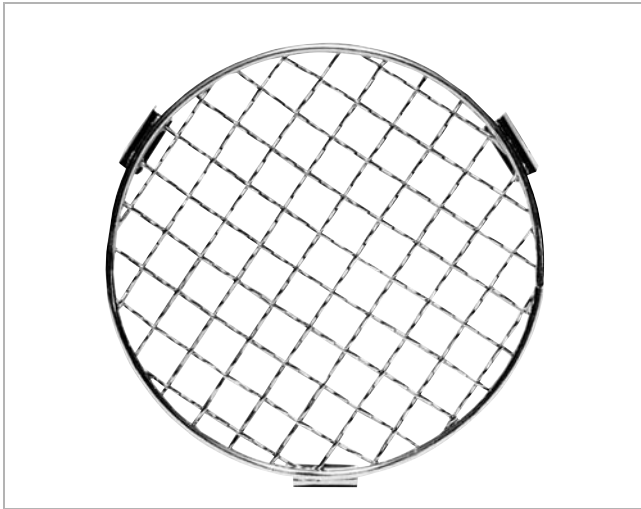


- 1
- 2
- 3
- 4
- 5
- 6
- 7
- 8
- 9
- 10
- 11
- 12
- 13
- 14
- 15
- 16
- 17
- 18

Safety grille

BSV

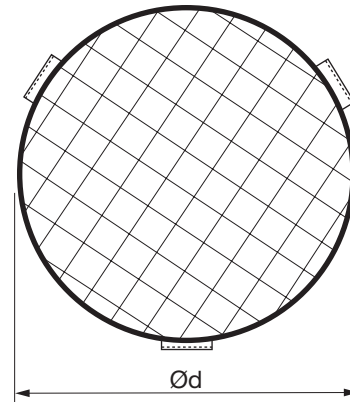
- 1
- 2
- 3
- 4
- 5
- 6
- 7
- 8
- 9
- 10
- 11
- 12
- 13
- 14
- 15
- 16
- 17
- 18



Description

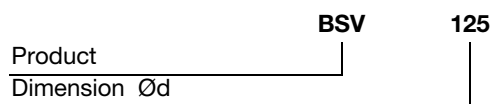
BSV is a safety grille used for circular duct fan or wall fan.

Dimensions



Ød nom
100
125
150
160
200
250
315
355

Ordering example

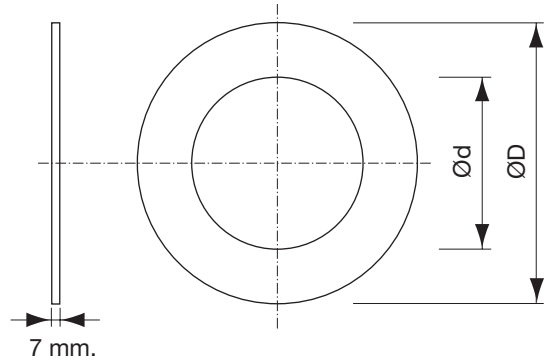


Cover

SRC



Dimensions



Description

Duct hole cover

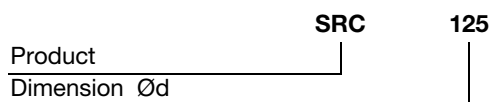
Material: Plastic

Colour: white

A plastic ring to provide a neat finish to a hole where ducts pass through a wall.

Ød nom	ØD mm
80	133
100	151
125	188
160	224
200	283
250	353
315	399
400	503
500	604

Ordering example



1

2

3

4

5

6

7

8

9

10

11

12

13

14

15

16

17

18