



SPARE PARTS

RELIABLE VALVES AND
ACTUATORS FOR
YOUR DAILY WORK.



IT WORKS.

For more than 100 years we have been establishing new standards time after time for what valves and actuators can do in different systems. All our products have one or more of the following features in common: they use less energy, they enhance comfort and they improve safety; in systems for heating, cooling and tap water.

All the time in your daily work, installing valves and actuators, it is important that you can rely on the products you use. We can ensure you of this. It works!

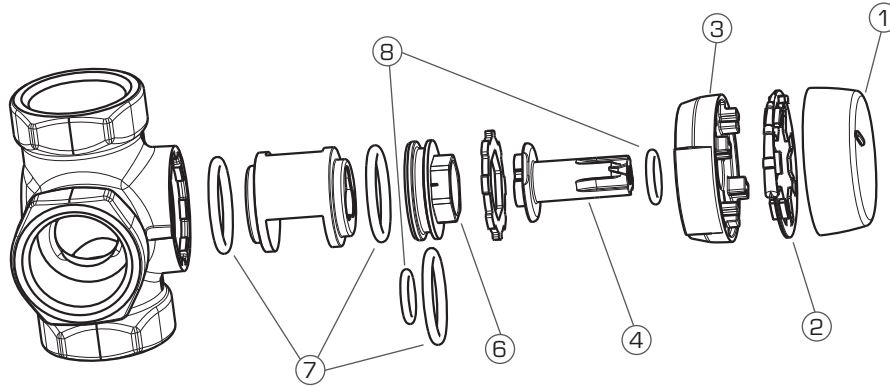


CONTENTS

ROTARY MOTORIZED VALVES	VRG130, 140, 230, 330, VRB140	4-9
	MG, G, F, BIV, T, TM, H, HG	4-9
	ARA600	9
	60, 90	10
	KTD100	10
<hr/>		
CONTROLLERS	90C, CRA, CRB, 90K	11-12
<hr/>		
SOLID FUEL PRODUCTS	LTC100, VTC500, VTC300	13
	ATA100, 200	14
	TV	14
<hr/>		
DIVERTING VALVES	VZA, VZB	15
<hr/>		
THERMOSTATIC CONTROL UNITS	VTA, VTS	15-19
	VMC300, 500	19
	VTD300	20
	KCD300, KSD300, KTD200, 300	20
<hr/>		
LINEAR MOTORIZED VALVES	VLA121, VLA131, VLA221, VLA325, VLA335, VLA425, VLC125, VLC225, VLE122, VLE132, VLE222, VLE325, VLF125, VLF135, VLC325, VLC425, VLB225, VLB235	20
	KTB100, KSB100, KWB100	21
	ALC100	21

SPARE PARTS

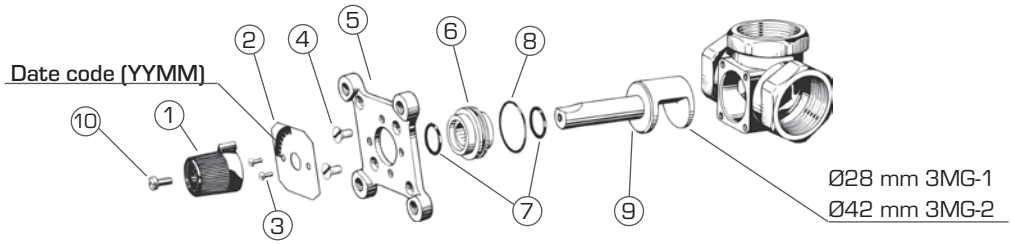
SERIES VRG130, VRG140, VRG230, VRG330 AND VRB140



Pos. Series	Applies to Art.No.	DN	up to (YYMM)	1 - 2 Handle knob/Scale	3 - 4, 6 - 8 Interior complete
VRG130	1160 01 XX - 1160 09 XX, 1160 15 XX - 1160 23 XX 1160 29 XX - 1160 30 XX	15/20		1700 69 40	1700 69 00
	1160 10 XX - 1160 11 XX 1160 24 XX - 1160 25 XX 1160 31 XX	25		1700 69 40	1700 69 10
	1160 12 XX, 1160 26 XX 1160 34 XX - 1160 35 XX	32/40		1700 69 40	1700 69 20
	1160 13 XX - 1160 14 XX 1160 27 XX - 1160 28 XX	40/50		1700 69 40	1700 69 30
	1160 36 XX - 1160 37 XX	50		1700 69 40	1700 69 50
VRG140	1164 01 XX - 1164 03 XX 1164 08 XX - 1164 10 XX	15/20		1700 69 40	1700 69 00
	1164 04 XX, 1164 11 XX	25		1700 69 40	1700 69 10
	1164 05 XX, 1164 12 XX 1164 15 XX - 1164 16 XX	32/40		1700 69 40	1700 69 20
	1164 06 XX - 1164 07 XX 1164 13 XX - 1164 14 XX	40/50		1700 69 40	1700 69 30
	1164 17 XX - 1164 18 XX	50		1700 69 40	1700 69 50
VRG230	1162 01 XX, 1162 06 XX, 1162 11 XX - 1162 12 XX	20		1700 69 40	1700 69 00
	1162 02 XX, 1162 07 XX, 1162 13 XX	25		1700 69 40	1700 69 10
	1162 03 XX, 1162 08 XX 1162 14 XX - 1162 15 XX	32/40		1700 69 40	1700 69 20
	1162 04 XX - 1162 05 XX 1162 09 XX - 1162 10 XX	40/50		1700 69 40	1700 69 30
	1162 16 XX - 1162 17 XX	50		1700 69 40	1700 69 50
VRG330	1170 01 XX, 1170 06 XX	20		1700 69 40	1700 69 00
	1170 02 XX, 1170 07 XX	25		1700 69 40	1700 69 10
	1170 03 XX, 1170 08 XX 1170 11 XX - 1170 12 XX	32/40		1700 69 40	1700 69 20
	1170 04 XX - 1170 05 XX 1170 09 XX - 1170 10 XX	40/50		1700 69 40	1700 69 30
	1170 13 XX - 1170 14 XX	50		1700 69 40	1700 69 50
VRB140	1166 01 XX - 1166 02 XX 1166 08 XX - 1166 09 XX 1166 15 XX - 1166 16 XX	15/20		1700 69 40	1700 69 00
	1166 04 XX, 1166 11 XX, 1166 17 XX	25		1700 69 40	1700 69 10
	1166 05 XX, 1166 12 XX 1166 20 XX - 1166 21 XX	32/40		1700 69 40	1700 69 20
	1166 06 XX - 1166 07 XX 1166 13 XX - 1166 14 XX	40/50		1700 69 40	1700 69 30
	1166 22 XX - 1166 23 XX	50		1700 69 40	1700 69 50

SPARE PARTS

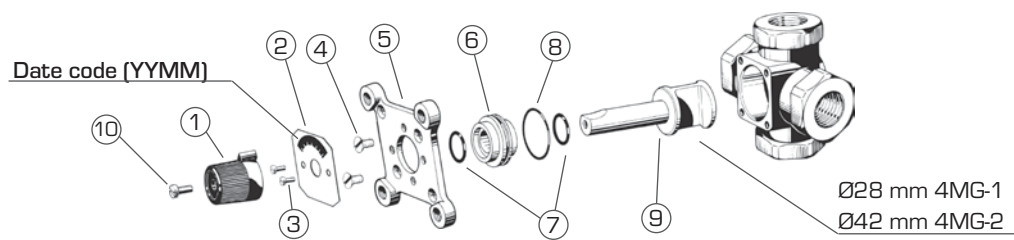
SERIES 3MG AND 3HG



Pos. Applies to Art.No.	Applies to Valve type	up to (YYMM)	1 Handle knob/Lever	1 - 10 Interior complete	6 - 8 Jointing set
1100 01 00 1100 02 00 1100 03 00 1100 04 00 1100 05 00 1100 07 00 1100 11 00 1100 16 00 1100 21 00 1100 23 00	3MG15 - 3MG28		1700 75 00	1700 24 00	1700 06 00
1100 24 00 1100 27 00	3MG25-12, 3MG32-18		1700 75 00	1700 25 00	1700 06 00
1135 05 00 1135 12 00	3HG25		1700 75 00	1700 43 00	1700 06 00

SPARE PARTS

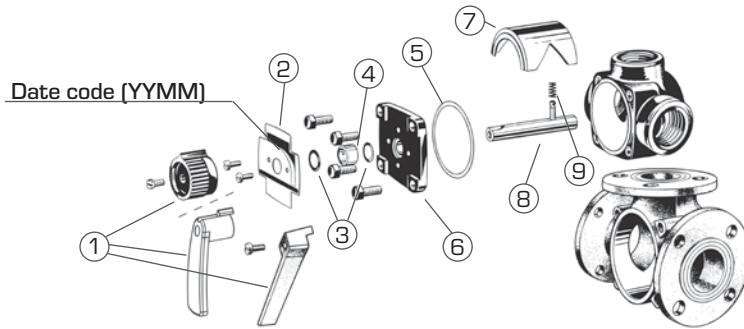
SERIES 4MG, 4HG, 5MG AND TM



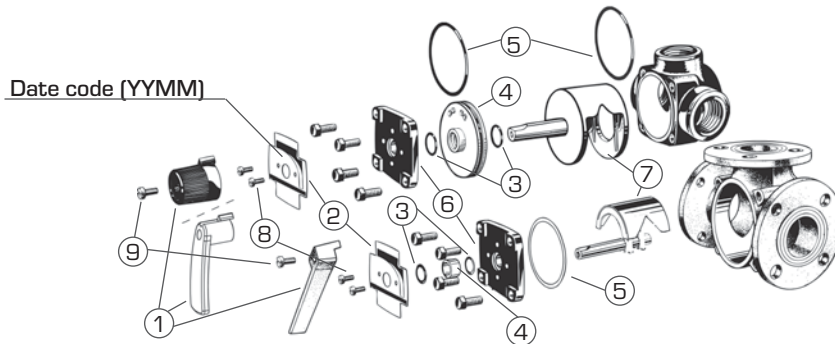
Pos. Applies to Art.No.	Applies to Valve type	up to (YYMM)	1 Handle knob/Lever	1 - 10 Interior complete	6 - 8 Jointing set
1100 34 00 1100 36 00 1100 39 00 1100 42 00	4MG15 - 4MG25-8		1700 75 00	1700 38 00	1700 06 00
1100 47 00 1100 49 00	4MG25-12, 4MG32-18		1700 75 00	1700 41 00	1700 06 00
1135 01 00 1135 02 00	4HG25-8, 4HG25-6.3		1700 75 00	1700 37 00	1700 06 00
1135 08 00 1135 11 00	4HG25-10		1700 75 00	1700 42 00	1700 06 00
1130 04 00	TM22	9412	1700 75 00	1700 37 00	1700 06 00
1130 04 00	TM20		1700 75 00	1700 42 00	1700 06 00
1100 52 00 1100 53 00	5MG25-8, 5MG32-18		1700 75 00	—	1700 06 00

SPARE PARTS

SERIES 3G, 3F AND 3H



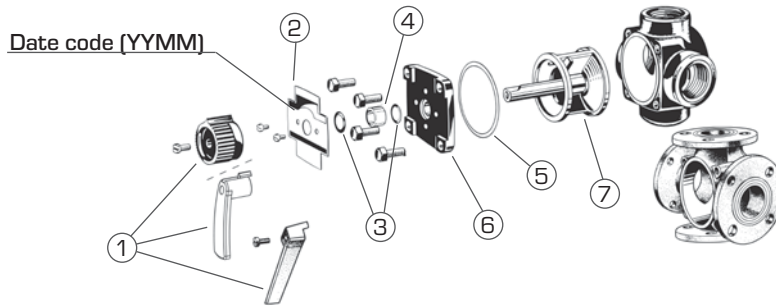
Pos. Applies to Art.No.	Applies to Valve type	up to (YYMM)	1 Handle knob/Lever	1 - 9 Interior complete	3 - 5 Jointing set
1105 01 00 1105 02 00 1105 03 00 1105 04 00	G119 - 138	9605	9808 01 20	1700 08 00	1700 03 00
1105 06 00	G151	9612	9808 01 20	1700 11 00	1700 03 00
110 - 111	F120-125	9605	9808 01 20	1700 08 00	1700 03 00
112 - 113	F132-140	9612	9808 01 20	1700 11 00	1700 03 00
1110 06 00 115	F150-165	9012	9808 01 20	—	1700 03 00
116	F180	9012	9808 01 20	—	1700 04 00
117	F1100	9012	9808 01 20	1700 18 00	1700 04 00
118	F1125	9012	9808 01 20	—	1700 04 00
119	F1150	9012	9808 01 20	1700 21 00	1700 04 00
1135 15 00	3H25		9808 01 20	1700 45 00	1700 03 00



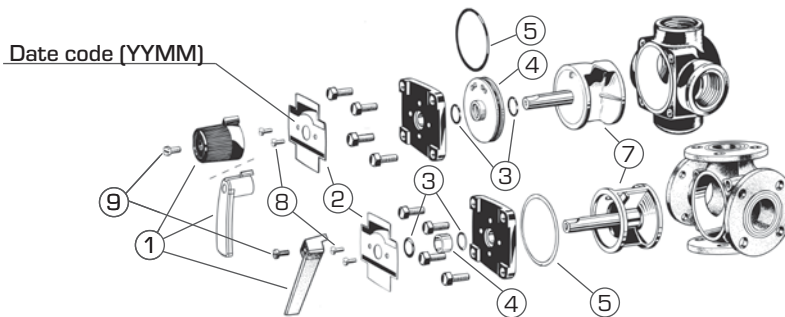
Pos. Applies to Art.No.	Applies to Valve type	from (YYMM)	1 Handle knob/Lever	1 - 9 Interior complete	3 - 5 Jointing set
1105 01 00 1105 02 00 1105 03 00 1105 04 00	3G20 - 40	9606	9808 01 20	1700 08 00	1700 03 00
1105 06 00	3G50	9701	9808 01 20	1700 11 00	1700 03 00
1110 01 00 1110 02 00	3F20 - 25	9606	9808 01 20	1700 08 00	1700 03 00
1110 03 00 1110 04 00	3F32 - 40	9701	9808 01 20	1700 11 00	1700 03 00
1110 06 00 1100 08 00	3F50 - 65	9101	9808 01 20	1700 14 00	1700 03 00
1110 10 00	3F80	9101	9808 01 20	1700 17 00	1700 04 00
1110 12 00	3F100	9101	9808 01 20	1700 18 00	1700 04 00
1110 14 00	3F125	9101	9808 01 20	1700 20 00	1700 04 00
1110 16 00	3F150	9101	9808 01 20	1700 21 00	1700 04 00
1135 17 00 1135 19 00	3H32 - 40		9808 01 20	1700 46 00	1700 03 00

SPARE PARTS

SERIES 4G, 4F, 4H AND T



Pos. Applies to Art.No.	Applies to Valve type	up to (YYMM)	1 Handle knob/Lever	1 - 7 Interior complete	3 - 5 Jointing set
1105 08 00 1105 10 00 1105 13 00 1105 14 00	G419 - 438	9605	9808 01 20	1700 30 00	1700 03 00
1105 16 00	G451	9605	9808 01 20	1700 31 00	1700 03 00
1110 17 00 1110 18 00	F432 - 440	9605	9808 01 20	1700 31 00	1700 03 00
1110 19 00 1110 20 00	F450 - 465	9605	9808 01 20	1700 33 00	1700 03 00
1110 21 00	F480	9605	9808 01 20	1700 34 00	1700 04 00
1110 22 00 1110 23 00	F4100 - 4125	9605	9808 01 20	1700 35 00	1700 04 00
1110 24 00	F4150	9605	9808 01 20	1700 36 00	1700 04 00



Pos. Applies to Art.No.	Applies to Valve type	from (YYMM)	1 Handle knob/Lever	1 - 9 Interior complete	3 - 5 Jointing set
1105 08 00 1105 10 00 1105 13 00 1105 14 00	4G20 - 40	9606	9808 01 20	1700 30 00	1700 03 00
1105 16 00	4G50	9606	9808 01 20	1700 31 00	1700 03 00
1110 17 00 1110 18 00	4F32 - 40	9606	9808 01 20	1700 31 00	1700 03 00
1110 19 00 1110 20 00	4F50 - 65	9606	9808 01 20	1700 33 00	1700 03 00
1110 21 00	4F80	9606	9808 01 20	1700 34 00	1700 04 00
1110 22 00 1110 23 00	4F100 - 125	9606	9808 01 20	1700 35 00	1700 04 00
1110 24 00	4F150	9606	9808 01 20	1700 36 00	1700 04 00
1135 13 00 1135 14 00	4H20 - 25	9606	9808 01 20	1700 65 00	1700 03 00
1135 18 00 1135 20 00	4H32 - 40	9606	9808 01 20	1700 47 00	1700 03 00
1130 09 00 1130 10 00 1130 11 00	T20 - 32	9606	9808 01 20	1700 65 00	1700 03 00

SPARE PARTS

SERIES VRG130, VRG140, VRG230, VRG330, VRB140, 3F, 4F, 3G, 4G, 3H, 4H, 3HG, 4HG, 3MG, 4MG, 5MG, T AND TM

SERIES VRG130, VRG140, VRG230, VRG330 AND VRB140

Art.No.	Reference	Designation	Note
1700 69 00	VRG802	ESBE VRG802 Interior kit DN15/20	
1700 69 10	VRG802	ESBE VRG802 Interior kit DN25	
1700 69 20	VRG802	ESBE VRG802 Interior kit DN32/40	
1700 69 30	VRG802	ESBE VRG802 Interior kit DN40/50	
1700 69 40	VRG803	ESBE VRG803 Knob VRG/VRB	
1700 69 50	VRG802	ESBE VRG802 Interior kit DN50	

SERIES 3MG, 3HG, 4MG, 4HG, 5MG AND TM

Art.No.	Reference	Designation	Note
1700 06 00	MG	Jointing set MG	
1700 24 00	3MG-1	Interior complete 3MG-1	
1700 25 00	3MG-2	Interior complete 3MG-2	
1700 37 00	TM/HG-1	Interior complete TM / HG-1	
1700 38 00	4MG-1	Interior complete 4MG-1	
1700 41 00	4MG-2	Interior complete 4MG-2	
1700 42 00	TM-2/HG-2	Interior complete TM-2 / HG-2	
1700 43 00	3HG	Interior complete 3HG	
1700 75 00		Handle knob	

SERIES 3G, 3F AND 3H

Art.No.	Reference	Designation	Note
1700 03 00		Jointing set No. 1 (DN 20-65)	
1700 04 00		Jointing set No. 2 (DN 80-150)	
1700 08 00	K1C	Interior complete K 1C	
1700 11 00	K2A-S	Interior complete K 2A-S	
1700 14 00	K3A-S	Interior complete K 3A-S	
1700 17 00	K4-S	Interior complete K 4-S	
1700 18 00	K5A-S	Interior complete K 5A-S	
1700 20 00	K5B-S	Interior complete K 5B-S	
1700 21 00	K6-S	Interior complete K 6-S	
1700 45 00		Interior complete 3H25	
1700 46 00		Interior complete 3H32-40	
9808 01 20		Lever	Replaces Handle knob Art.No. 1700 75 00 and Lever Art.No. 9836 00 10

SERIES 4G, 4F, 4H AND T

Art.No.	Reference	Designation	Note
1700 03 00		Jointing set No. 1 (DN 20-65)	
1700 04 00		Jointing set No. 2 (DN 80-150)	
1700 30 00	V1	Interior complete V 1C	
1700 31 00	V2A	Interior complete V 2A	
1700 33 00	V3A	Interior complete V 3A	
1700 34 00	V4	Interior complete V 4	
1700 35 00	V5	Interior complete V 5	
1700 36 00	V6	Interior complete V 6	
1700 47 00		Interior complete 4H32-50	
1700 65 00	V1T	Interior complete V 1T	
9808 01 20		Lever	Replaces Handle knob Art.No. 1700 75 00 and Lever Art.No. 9836 00 10

SPARE PARTS

SERIES BIV AND OTHERS INTERIOR KIT

SERIES BIV

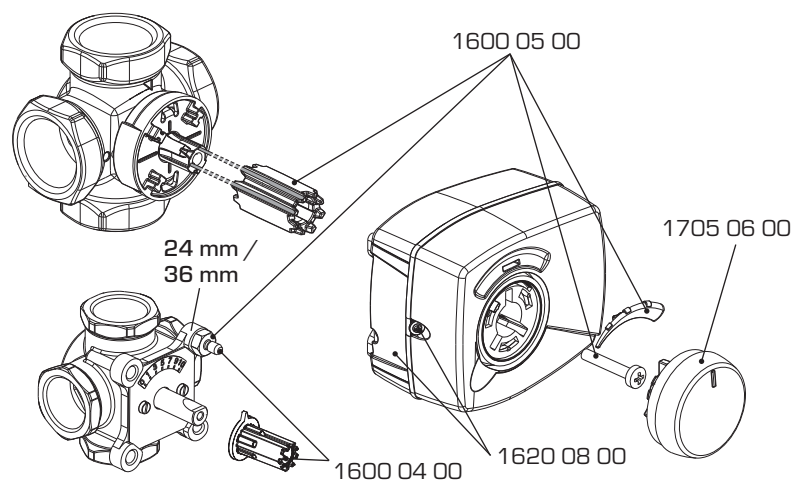
Art.No.	Reference	Designation	Note
1700 39 00		Interior complete BIV 25	
1700 44 00		Interior complete BIV 22	

OTHERS COMPLETE INTERIORS

Art.No.	Reference	Designation	Note
1700 23 00	LG1-AMBIGYR	LG 1 / Ambigyr 3-way	
1700 48 00	LG1	LG 1, Exchange kit	
1700 54 00	F1 VER	F 1 Vertical	
1700 55 00	F1 HOR	F 1 - Horizontal	
1700 56 00	F1-165 HOR	F 1 - 165 Horizontal	
1700 57 00	F1B	F 1B	
1700 58 00	F1C	F 1C	
1700 59 00	F1LC-105	F 1LC-105	
1700 60 00	F1LC-125	F 1LC-125	
1700 61 00	F1LC-165	F 1LC-165	
1700 62 00	F1LC-185	F 1LC-185	
1700 63 00	F1C-160	F 1C-160	
1700 64 00	F2C	F 2C	

SPARE PARTS

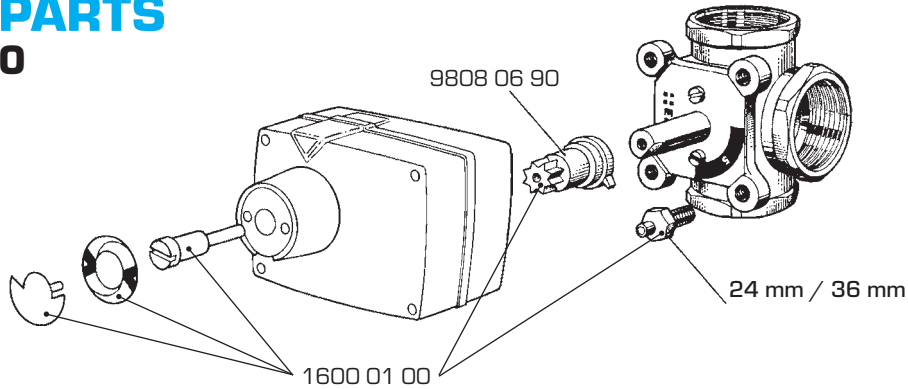
SERIES ARA600



SERIES ARA600

Art.No.	Reference	Designation	Note
1600 04 00	ARA802	ESBE ARA802 Adaptor kit ESBE valves series MG, G, F, BIV, T, TM, H, HG	
1600 05 00	ARA803	ESBE ARA803 Adaptor kit ESBE valves series VRG, VRB, MG, G, F, BIV, T, TM, H, HG	
1620 08 00	ARA804	ESBE ARA804 Cable hatch ARA600	
1705 06 00	ARA902	ESBE ARA902 Knob ARA600	

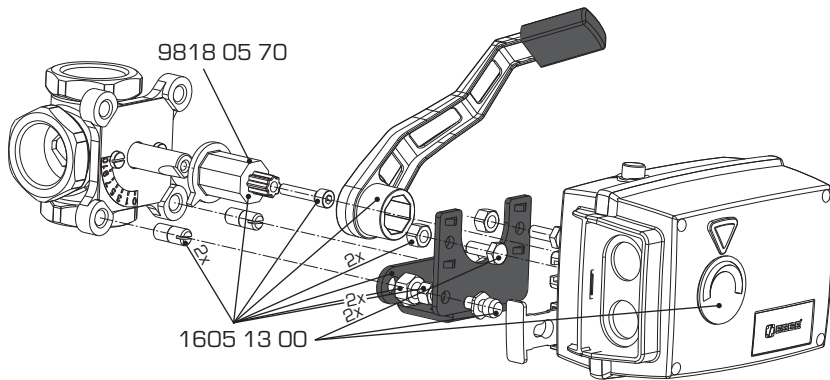
SPARE PARTS SERIES 60



SERIES 60

Art.No.	Reference	Designation	Note
1600 01 00	600	Adaptor kit ESBE valves series MG, G, F, BIV, T, TM, H, HG	
9808 06 90		Shaft coupling series 60	

SPARE PARTS SERIES 90



SERIES 90

Art.No.	Reference	Designation	Note
1605 33 00	VRG801	Adaptor kit ESBE valves series VRG, VRB	
1605 13 00	900	Adaptor kit ESBE valves series MG, G, F, BIV, T, TM, H, HG	
9818 05 70	MTS900	Shaft coupling series 90	

SPARE PARTS SERIES KTD100

SERIES KTD100

Art.No.	Reference	Designation	For adapter	Note
3655 35 00	KTD901	ESBE KTD901 Gasket kit DN15, 4pcs/ kit.	G 1" → 3/4"	
3655 36 00	KTD901	ESBE KTD901 Gasket kit DN20, 4pcs/ kit	G 1 1/4" → G 1"	
3655 37 00	KTD901	ESBE KTD901 Gasket kit DN25, 4pcs/ kit	G 1 1/2" → G 1 1/4"	
3655 38 00	KTD901	ESBE KTD901 Gasket kit DN32, 4pcs/ kit	G 2" → G 1 1/2"	
3655 39 00	KTD901	ESBE KTD901 Gasket kit DN40, 4pcs/ kit	G 2 1/4" → G 2"	

SPARE PARTS

SERIES 90C



SERIES 90C-X

Art. No.	Reference	Designation	Note
1605 37 00	VRG804	Adaptor kit VRG804 ESBE valves series VRG, VRB	
1605 32 00	900R	Adaptor kit 900R ESBE valves series MG, G, F, BIV, T, TM, H, HG	
1705 07 00	CRS231	Room sensor CRS231	
1705 08 00	CRS211	Flow pipe sensor CRS211	
1705 09 00	CRS213	Universal sensor CRS213	
1705 10 00	CRS214	Outdoor sensor CRS214	
1705 11 00	CRS215	High temperature sensor CRS215	



SERIES 90C

Art. No.	Reference	Designation	Note
1605 37 00	VRG804	Adaptor kit VRG804 ESBE valves series VRG, VRB	
1605 32 00	900R	Adaptor kit 900R ESBE valves series MG, G, F, BIV, T, TM, H, HG	
1620 02 00	RT21	Room sensor RT21 with room temperature influence	
1705 01 00		Fuse	
1705 02 00		Pipe sensor	
1705 03 00		Outdoor sensor	
1705 04 00		Water sensor	

SPARE PARTS

SERIES CRA, CRB, CUA

SERIES CRA110

Art.No.	Reference	Designation	Note
1600 05 00	ARA803	Adaptor kit ARA803, valves series VRG, VRB, MG, G, F, BIV, T, TM, H, HG	
1705 31 00	CRA911	Flow pipe sensor CRA911, 5m cable	
1705 33 00	CRA912	Voltage adaptor CRA912, 230V – 24V	
1705 35 00	CRA913	Cable CRA913, 24V	

SERIES CRA120

Art.No.	Reference	Designation	Note
1605 33 00	VRG801	Adaptor kit ESBE valves series VRG, VRB	
1605 13 00	900	Adaptor kit ESBE valves series MG, G, F, BIV, T, TM, H, HG	
1705 31 00	CRA911	Flow pipe sensor CRA911, 5m cable	
1705 33 00	CRA912	Voltage adaptor CRA912, 230V – 24V	
1705 35 00	CRA913	Cable CRA913, 24V	

SERIES CRB100

Art.No.	Reference	Designation	Note
1600 05 00	ARA803	Adaptor kit ARA803, valves series VRG, VRB, MG, G, F, BIV, T, TM, H, HG	
1705 31 00	CRA911	Flow pipe sensor CRA911, 5m cable	
1705 33 00	CRA912	Voltage adaptor CRA912, 230V – 24V	
1705 51 00	CRB911	Controller CRB911 (CRB121 without room unit)	Wireless/cable connection
1705 53 00	CRB912	Room unit CRB912, cable	
1705 55 00	CRB913	Room unit CRB913, wireless	
1705 57 00	CRB914	Communication cable CRB914, 20m	

SERIES CUA110

Art.No.	Reference	Designation	Note
1705 31 00	CRA911	Flow pipe sensor CRA911, 5m cable	
1705 41 00	CUA911	Controller CUA911 (CUA110 without room unit)	

SPARE PARTS

SERIES 90K

SERIES 90K

Art. No.	Reference	Designation	Note
1605 33 00	VRG801	Adaptor kit VRG801 ESBE valves series VRG, VRB	
1605 13 00	900	Adaptor kit 900 ESBE valves series MG, G, F, BIV, T, TM, H, HG	
1705 05 00		Pipe sensor	

SPARE PARTS**SERIES LTC100, VTC500, VTC300****SERIES LTC100**

Art.No.	Reference	Designation	Note
5702 01 00	VTC951	Thermostat VTC951 50°C	
5702 02 00	VTC951	Thermostat VTC951 55°C	
5702 03 00	VTC951	Thermostat VTC951 60°C	
5702 08 00	VTC951	Thermostat VTC951 65°C	
5702 04 00	VTC951	Thermostat VTC951 70°C	
5702 05 00	VTC951	Thermostat VTC951 75°C	
5702 06 00	VTC952	ESBE VTC952 Thermometer, 3pcs	
5702 09 00	LTC922	ESBE LTC922 Jointing set VTC/LTC, 3pcs of fibre gasket 1½"	
5706 01 00	VTC953	ESBE VTC953 Insulation, complete in two parts	
5706 02 00	LTC914	ESBE LTC914 Pump DS RS 25/4	
5706 03 00	LTC917	ESBE LTC917 Pump DS RS 25/7	
5706 04 00	LTC921	ESBE LTC921 Non-return insert	
5706 05 00	LTC801	ESBE LTC801 Shut-off valves / Adapters 1½" x 1" 3pcs	
5706 06 00	LTC801	ESBE LTC801 Shut-off valves / Adapters 1½" x 1¼" 3pcs	
5706 07 00	LTC801	ESBE LTC801 Shut-off valves / Adapters 1½" x 1½" 3pcs	
5706 08 00	LTC801	ESBE LTC801 Shut-off valves / Adapters 1½" x 2" 3pcs	
5706 09 00	LTC801	ESBE LTC801 Shut-off valves / Adapters 1½" x CPF 28mm 3pcs	
5706 10 00	LTC801	ESBE LTC801 Shut-off valves / Adapters 1½" x CPF 35mm 3pcs	

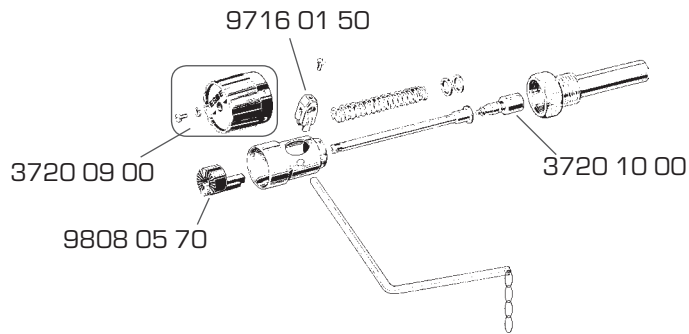
SERIES VTC500

Art.No.	Reference	Designation	Note
5702 01 00	VTC951	Thermostat VTC951 50°C	
5702 02 00	VTC951	Thermostat VTC951 55°C	
5702 03 00	VTC951	Thermostat VTC951 60°C	
5702 08 00	VTC951	Thermostat VTC951 65°C	
5702 04 00	VTC951	Thermostat VTC951 70°C	
5702 05 00	VTC951	Thermostat VTC951 75°C	
5702 06 00	VTC952	ESBE VTC952 Thermometer, 3pcs	
5702 07 00	VTC953	ESBE VTC953 Insulation, ≥ DN32	
5702 09 00	LTC922	ESBE LTC922 Jointing set VTC/LTC, 3pcs of fibre gasket 1½"	
5706 05 00	LTC801	ESBE LTC801 Shut-off valves / Adapters 1½" x 1" 3pcs	
5706 06 00	LTC801	ESBE LTC801 Shut-off valves / Adapters 1½" x 1¼" 3pcs	
5706 07 00	LTC801	ESBE LTC801 Shut-off valves / Adapters 1½" x 1½" 3pcs	
5706 08 00	LTC801	ESBE LTC801 Shut-off valves / Adapters 1½" x 2" 3pcs	
5706 09 00	LTC801	ESBE LTC801 Shut-off valves / Adapters 1½" x CPF 28mm 3pcs	
5706 10 00	LTC801	ESBE LTC801 Shut-off valves / Adapters 1½" x CPF 35mm 3pcs	

SERIES VTC300

Art.No.	Reference	Designation	Note
5700 06 00	VTC931	Thermostat VTC931 42°C	
5700 01 00	VTC931	Thermostat VTC931 45°C	
5700 02 00	VTC931	Thermostat VTC931 55°C	
5700 03 00	VTC931	Thermostat VTC931 60°C	
5700 04 00	VTC931	Thermostat VTC931 70°C	
5700 05 00	VTC931	Thermostat VTC931 80°C	

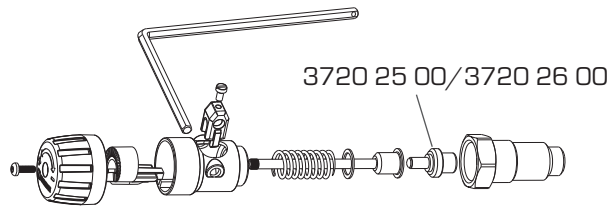
SPARE PARTS SERIES ATA100



SERIES ATA100

Art.No.	Reference	Designation	Note
3720 09 00	ATA901	Handle knob ATA901	
3720 10 00	ATA901	Thermostat 40 - 95°C	
9716 01 50	ATA901	Fork ATA901	
9808 05 70	ATA901	Eccentric ATA901	

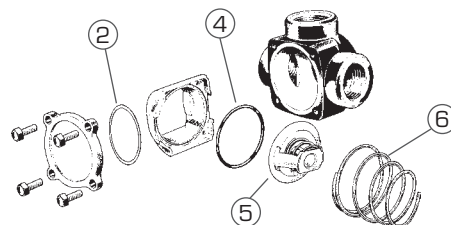
SPARE PARTS SERIES ATA200



SERIES ATA200

Art.No.	Reference	Designation	Note
3720 25 00	ATA902	Thermostat ATA902 35-95°C	
3720 26 00	ATA902	Thermostat ATA902 60-95°C	

SPARE PARTS SERIES TV



SERIES TV

Art.No.	Reference	Pos.	Designation	Pos. Applies to Art.No.	Applies to Valve type	Note
1700 73 00		2, 4 - 6	Interior complete 45°C	1140 06 00, 1140 11 00, 1140 15 00	TV 45°C	
1700 74 00			Interior complete 55°C	1140 07 00, 1140 12 00, 1140 16 00	TV 55°C	
1700 68 00			Interior complete 60°C	1140 04 00, 1140 08 00, 1140 13 00	TV 60°C	
1700 70 00			Interior complete 72°C	1140 01 00, 1140 02 00, 1140 03 00	TV 72°C	

SPARE PARTS

SERIES VZA, VZB

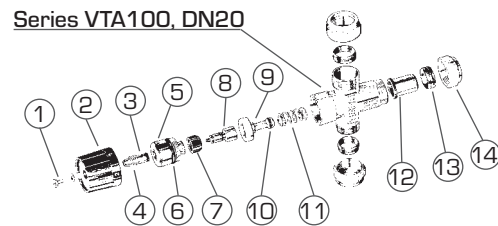
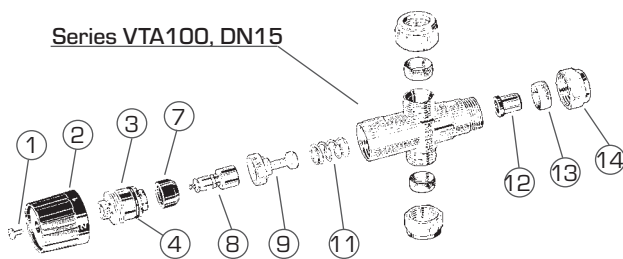
SERIES VZA, VZB

Art.No.	Reference	Designation	Note
4605 01 00	ALZ801	ESBE Cable ALZ801 fixed version IP40, 3-wire	1)
4605 02 00	ALZ801	ESBE Cable ALZ801 fixed version IP40, 6-wire for use with Auxiliary switch	1)
4605 03 00	ALZ801	ESBE Cable ALZ801 loose version IP20, 3-wire	1)
4605 04 00	ALZ801	ESBE Cable ALZ801 loose version IP20, 6-wire for use with Auxiliary switch	1)
4700 01 00	VZA900	ESBE VZA900 Interior complete	
4705 02 00	ALZ960	ESBE Actuator ALZ960 2-point 230V IP40	
4705 03 00	ALZ950	ESBE Actuator ALZ950 2-point 230V IP40 with Auxiliary switch	
4705 04 00	ALZ960	ESBE Actuator ALZ960 2-point 230V IP20	
4705 05 00	ALZ950	ESBE Actuator ALZ950 2-point 230V IP20 with Auxiliary switch	

Note 1) Compatible with article numbers 4302 XX XX and 4304 XX XX (not 4300 XX XX).

SPARE PARTS

SERIES VTA100



Pos. Applies to Art.No.	DN, Temp. range	up to (YYMM)	2 Handle knob	14 Compression nut	13 Compression ring	12 Check valve *	1 - 11 Exchange kit
401 410	15, 38 - 65°C		9808 01 80	9816 17 70	9816 17 90	3650 01 00	3705 17 00
401L 410L (411)	15, 20 - 40°C		9808 01 80	9816 17 70	9816 17 90	3650 01 00	—
403, 404, 405, 414, 417, 418 (402, 406, 409)	20, 38 - 65°C		9808 01 50	9816 17 80	9816 18 00	3650 04 00	3705 16 00
403L 404L	20, 20 - 40°C		9808 01 50	9816 17 80	9816 18 00	3650 04 00	—

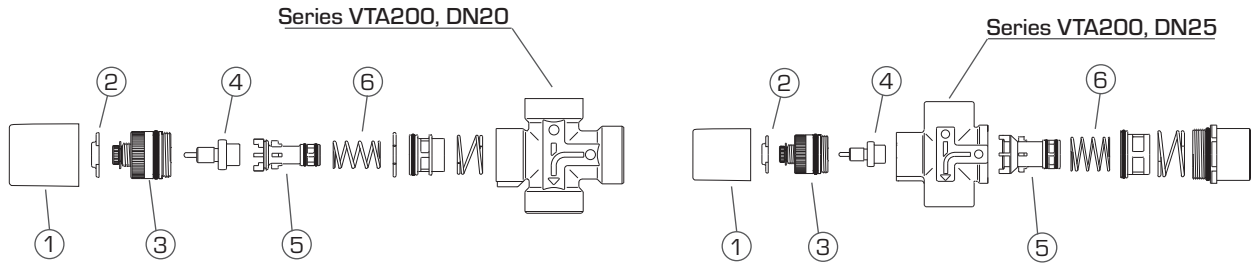
* Applies to models with compression fittings on the cold water inlet

SERIES VTA100

Art.No.	Reference	Designation	Note
3650 01 00	VCA100	Check valve 15	
3650 04 00	VCA100	Check valve 20	
3705 16 00	VTA921	Exchange kit VTA921, DN 20, 38 - 65°C	
3705 17 00	VTA921	Exchange kit VTA921, DN 15, 38 - 65°C	
9808 01 50	VTA922	Handle knob DN20	
9808 01 80	VTA922	Handle knob DN15	
9816 17 70	KCA802	Compression nut CPF15	
9816 17 80	KCA802	Compression nut CPF22	
9816 17 90	KCA803	Compression ring CPF15	
9816 18 00	KCA803	Compression ring CPF22	

SPARE PARTS

SERIES VTA200



Pos. Applies to Art.No.	DN, Temp. range	up to (YYMM)	Check valve*	1 - 6 Exchange kit
470 - 475	20, 38 - 65°C		3650 04 00	3705 04 00
470L - 475L	20, 20 - 40°C		3650 04 00	3705 08 00
3130 01 00, 3130 12 00	25, 38 - 65°C		3650 05 00	3705 10 00
3130 07 00	25, 20 - 40°C		3650 05 00	3705 14 00
3130 08 00	25, 10 - 30°C		3650 05 00	3705 15 00

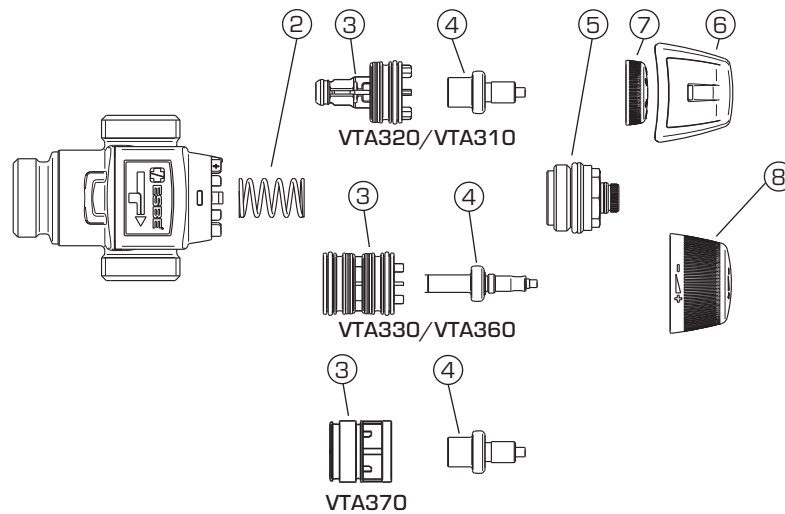
* Applies to models with compression fittings on the cold water inlet

SERIES VTA200

Art.No.	Reference	Designation	Note
3650 04 00	VCA100	Check valve 20	
3650 05 00	VCA100	Check valve 28	
3705 04 00	VTA922	Exchange kit VTA922, DN 20 - 25, Kv 1.6, 38 - 65°C	
3705 08 00	VTA922	Exchange kit VTA922, DN 20 - 25, Kv 1.6, 20 - 40°C	
3705 09 00	VTA922	Exchange kit VTA922, DN 20 - 25, Kv 1.6, 10 - 30°C	
3705 10 00	VTA922	Exchange kit VTA922, DN 25 - 28, Kv 3.0, 38 - 65°C	
3705 14 00	VTA922	Exchange kit VTA922, DN 25 - 28, Kv 3.0, 20 - 40°C	
3705 15 00	VTA922	Exchange kit VTA922, DN 25 - 28, Kv 3.0, 10 - 30°C	
3705 20 00	VTA922	Exchange kit VTA922, DN 20, 30 - 70°C	
3705 21 00	VTA972	Exchange kit VTA972, DN 20, 20 - 40°C	

SPARE PARTS

SERIES VTA300



SERIES VTA310

Art.No.	Reference	Pos.	Designation	Note
3700 07 00	VTA913	2 - 5	Exchange kit VTA913, 35 - 60°C	
3700 14 00	VTA913	2 - 5	Exchange kit VTA913, 30 - 70°C	
9808 04 40	VTA903	8	Handle knob series VTA310	

SERIES VTA320

Art.No.	Reference	Pos.	Designation	Note
3700 04 00	VTA923	2 - 5	Exchange kit VTA923, 35 - 60°C	
3700 05 00	VTA923	2 - 5	Exchange kit VTA923, 20 - 43°C	
3700 13 00	VTA923	2 - 5	Exchange kit VTA923, 30 - 70°C	
9808 04 20	VTA903	6	Top knob VTA903	
9808 04 80	VTA903	7	Adjusting knob series VTA300	

SERIES VTA330

Art.No.	Reference	Pos.	Designation	Note
3700 01 00	VTA933	2 - 5	Exchange kit VTA933, 35 - 60°C	
3700 02 00	VTA933	2 - 5	Exchange kit VTA933, 32 - 49°C	
9808 04 20	VTA903	6	Top knob VTA903	
9808 04 80	VTA903	7	Adjusting knob	

SERIES VTA360

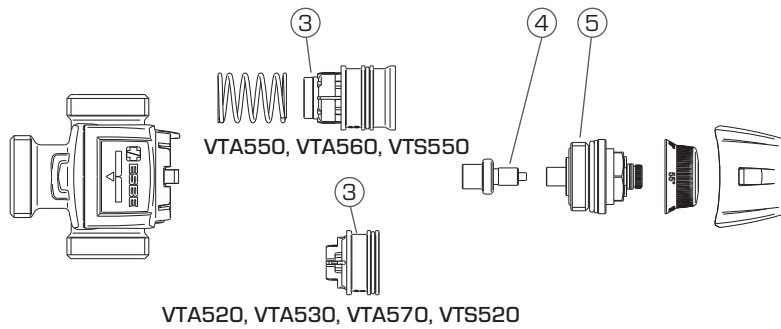
Art.No.	Reference	Pos.	Designation	Note
3700 08 00	VTA963	2 - 5	Exchange kit VTA963, 35 - 60°C	
3700 09 00	VTA963	2 - 5	Exchange kit VTA963, 32 - 49°C	
9808 04 20	VTA903	6	Top knob VTA903	
9808 04 80	VTA903	7	Adjusting knob	

SERIES VTA370

Art.No.	Reference	Pos.	Designation	Note
3700 11 00	VTA973	2 - 5	Exchange kit VTA973, 35 - 60°C	
3700 12 00	VTA973	2 - 5	Exchange kit VTA973, 35 - 60°C	
9808 04 20	VTA903	6	Top knob VTA903	
9808 04 80	VTA903	7	Adjusting knob	

SPARE PARTS

SERIES VTA500, VTS500



SERIES VTA520

Art.No.	Reference	Pos	Designation	Note
3710 01 00	VTA925	3 - 5	Exchange kit VTA925, series VTA520, 20 - 43°C	
3710 02 00	VTA925	3 - 5	Exchange kit VTA925, series VTA520, 45 - 65°C	
3710 03 00	VTA925	3 - 5	Exchange kit VTA925, series VTA520, 50 - 75°C	

SERIES VTA550

Art.No.	Reference	Pos	Designation	Note
3710 04 00	VTA955	3 - 5	Exchange kit VTA955, series VTA550, 20 - 43°C	
3710 05 00	VTA955	3 - 5	Exchange kit VTA955, series VTA550, 45 - 65°C	
3710 06 00	VTA955	3 - 5	Exchange kit VTA955, series VTA550, 50 - 75°C	

SERIES VTA530

Art.No.	Reference	Pos	Designation	Note
3710 07 00	VTA935	3 - 5	Exchange kit VTA935, series VTA530, 45 - 65°C	
3710 08 00	VTA935	3 - 5	Exchange kit VTA935, series VTA530, 35 - 50°C	

SERIES VTA560

Art.No.	Reference	Pos	Designation	Note
3710 09 00	VTA965	3 - 5	Exchange kit VTA965, series VTA560, 45 - 65°C	
3710 10 00	VTA965	3 - 5	Exchange kit VTA965, series VTA560, 35 - 50°C	

SERIES VTA570

Art.No.	Reference	Pos	Designation	Note
3710 11 00	VTA975	3 - 5	Exchange kit VTA975, series VTA570, 10 - 30°C	
3710 12 00	VTA975	3 - 5	Exchange kit VTA975, series VTA570, 20 - 43°C	
3710 13 00	VTA975	3 - 5	Exchange kit VTA975, series VTA570, 45 - 65°C	

SERIES VTS520

Art.No.	Reference	Pos	Designation	Note
3712 01 00	VTS925	3 - 5	Exchange kit VTS925, series VTS520, 45 - 65°C	
3712 02 00	VTS925	3 - 5	Exchange kit VTS925, series VTS520, 50 - 75°C	

SERIES VTS550

Art.No.	Reference	Pos	Designation	Note
3712 03 00	VTS955	3 - 5	Exchange kit VTS955, series VTS550, 45 - 65°C	
3712 04 00	VTS955	3 - 5	Exchange kit VTS955, series VTS550, 50 - 75°C	

SPARE PARTS

SERIES VTA500, VTS500

SERIES VTA522/VTA532/VTA552/VTA562/VTS522/VTS552, WITH ADAPTERS

Art.No.	Reference	Designation	For adapter	Note
3655 35 00	KTD901	ESBE KTD901 Gasket kit DN15, 4pcs/ kit	G 1" → 3/4"/CPF 22mm	
3655 36 00	KTD901	ESBE KTD901 Gasket kit DN20, 4pcs/ kit	G 1 1/4" → G 1"/CPF 28mm	

SPARE PARTS

SERIES VMC300

SERIES VMC300

Art.No.	Reference	Designation	Note
5700 06 00	VTC931	Thermostat 45°C	

SPARE PARTS

SERIES VMC300, 500

SERIES VMC320

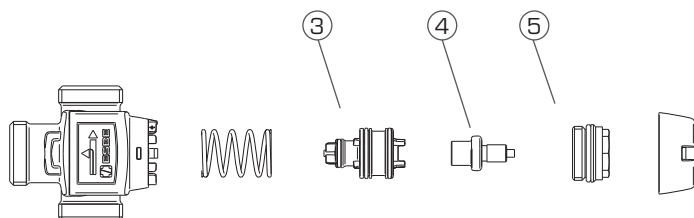
Art.No.	Reference	Designation	Note
3710 20 00	VTD911	Exchange kit VTD911 45°C	
3710 21 00	VTD911	Exchange kit VTD911 50°C	
3710 22 00	VTD911	Exchange kit VTD911 60°C	
3700 04 00	VTA955	Exchange kit VTA955, series VTA550, 20 - 43°C	

SERIES VMC520

Art.No.	Reference	Designation	Note
3710 20 00	VTD911	Exchange kit VTD911 45°C	
3710 21 00	VTD911	Exchange kit VTD911 50°C	
3710 22 00	VTD911	Exchange kit VTD911 60°C	
3712 03 00	VTS955	Exchange kit VTS955, series VTS550, 45 - 65°C	

THERMOSTATIC CONTROL UNITS

SPARE PARTS SERIES VTD300



SERIES VTD300

Art.No.	Reference	Pos.	Designation	Note
3710 20 00	VTD911	3 - 5	Exchange kit VTD911, 45°C	
3710 21 00	VTD911	3 - 5	Exchange kit VTD911, 50°C	
3710 22 00	VTD911	3 - 5	Exchange kit VTD911, 60°C	
3710 23 00	VTD911	3 - 5	Exchange kit VTD911, 70°C	

SPARE PARTS SERIES KCD300, KSD300, KTD200, KTD300

SERIES KCD300

Art.No.	Reference	Designation	For adapter	Note
3655 35 00	KTD901	ESBE KTD901 Gasket kit DN15, 4pcs/ kit	G 1" → 3/4"/CPF 22mm	
3655 36 00	KTD901	ESBE KTD901 Gasket kit DN20, 4pcs/ kit	G 1 1/4" → G 1"/CPF 28mm	

LINEAR MOTORIZED VALVES

SPARE PARTS LINEAR VALVES

SERIES VLA121, VLA131, VLA221, VLA325, VLA335, VLA425, VLC125, VLC225, VLE122, VLE132, VLE222, VLE325, VLF125 AND VLF135

Art.No.	Reference	Designation	Note
2700 01 00	VLA901	Exchange kit VLA901 Packing box	

SERIES VLC325 AND VLC425

Art.No.	Reference	Designation	Note
2700 02 00	VLC901	Exchange kit VLC901 Packing box ¹⁾	

¹⁾ High temperature packing box for media temperatures up to 180°C

SERIES VLA221, VLA425, VLC225, VLC425 AND VLE222²⁾

Art.No.	Reference	Designation	Note
2700 03 00	VLC902	Exchange kit VLC902 Pressure-balancing cup DN25	
2700 04 00	VLC902	Exchange kit VLC902 Pressure-balancing cup DN32	
2700 05 00	VLC902	Exchange kit VLC902 Pressure-balancing cup DN40	
2700 06 00	VLC902	Exchange kit VLC902 Pressure-balancing cup DN50	

²⁾ For valves with pressure balanced plug

SERIES VLB225 AND VLB235

Art.No.	Reference	Designation	Note
2700 07 00	VLB901	Packing box VLB901	

LINEAR MOTORIZED VALVES

SPARE PARTS CONNECTION KIT

SERIES KTB100, KSB100 AND KWB100

Art.No.	Reference	Designation	For adapter connection			Note
			KTB100	KSB100	KWB100	
3655 35 00	KTD901	ESBE KTD901 Gasket kit DN15, 4pcs/ kit.	G 1" → Rp 1/2"	15mm	21.3mm	
3655 36 00	KTD901	ESBE KTD901 Gasket kit DN20, 4pcs/ kit.	G 1 1/4" → Rp 3/4"	22mm	26.9mm	
3655 37 00	KTD901	ESBE KTD901 Gasket kit DN25, 4pcs/ kit.	G 1 1/2" → Rp 1"	28mm	33.7mm	
3655 38 00	KTD901	ESBE KTD901 Gasket kit DN32, 4pcs/ kit.	G 2" → Rp 1 1/4"	35mm	42.4mm	
3655 39 00	KTD901	ESBE KTD901 Gasket kit DN40, 4pcs/ kit.	G 2 1/4" → Rp 1 1/2"	42mm	48.3mm	
3655 40 00	KTD901	ESBE KTD901 Gasket kit DN50, 4pcs/ kit.	G 2 3/4" → Rp 2"	54mm	60.3mm	

ACTUATOR SERIES ALC100



SERIES ALC100

Art.No.	Reference	Designation	Note
2210 02 00	ALC151	ESBE ALC151 3-point 230V 300N 66s	
2210 04 00	ALC151	ESBE ALC151 3-point 230V 300N 33s	
2210 01 00	ALC152	ESBE ALC152 3-point 24V 300N 66s	
2210 03 00	ALC153	ESBE ALC153 Proportional 24V 300N 13s	

ESBE REPRESENTED IN

Austria

ESBE GmbH
Tel: +49 8131-99667-0
www.esbe.de

Belgium

Euro-Index
Tel: +32 2 757 92 44
www.euro-index.be

Croatia

Petrokov d.o.o.
Tel: +385 1 363 8344
www.petrokov.hr

Czech Republic

Remak a.s.
Tel: +420 571 877 778
www.esbe.cz

Denmark

ESBE Denmark (ESBE AB, Sweden)
Tel: +45 75655011
www.esbe.se

Estonia

SB Keskkütteseadmed AS
Tel: +372 67 75 845
www.esbe.ee

Finland

Oy Callidus Ab
Tel: +358 9 374 751
www.callidus.fi

France

ESBE S.a.r.l.
Tel: +33 (0) 1 47 90 07 26
www.esbe.fr

Germany

ESBE GmbH
Tel: +49 8131-99667-0
www.esbe.de

Greece

Thermovent Hellas A.E.
Tel: +30 210 988 7400
www.thermovent.gr

Great Britain

ESSCO Controls Ltd
Tel: +44 1635 299 101
www.esscocontrols.co.uk

Hungary

Két Kör Kft
Tel: +36 23 530-570
www.ketkorkft.hu

Ireland

EPH Controls Ltd.
Tel: +353 21 434 6238
www.ephcontrols.com

Italy

ESBE S.r.l.
Tel: +39 0471 593360
www.esbe-italia.it

Latvia

Vaks Serviss SIA
Tel: +371 67816227

Lithuania

Vilterma Ltd.
Tel: +370 5 2742 788
www.vilterma.lt

Norway

ESBE AB
Tel: +46 (0)371 - 570 000
www.esbe.se

Poland

ESBE Hydronic Systems Sp. z o.o.
Tel: +48 61 85 10 728
www.esbe.pl

Portugal

Termotecnia Lda
Tel: +351 258 825 206
www.termotecnia.com

Romania

Markus Automatik Srl
Tel: +40 21 334 00 40
www.markus.ro

Russia

Impuls
Tel: +7 - 495 992 6989
www.impulsgroup.ru

Slovakia

Remak a.s.
Tel: +420 571 877 778
www.esbe.cz

Slovenia

VETO Veletrgovina d.o.o.
Tel: +386 158 09 121
www.veto.si

Spain

Salvador Escoda S.A.
Tel: +34 93 446 27 80
www.salvadorescoda.com

Sweden

ESBE AB
Tel: +46 (0)371 - 570 000
www.esbe.se

Turkey

ESBE Türkiye Ofisi
Tel: +90 216 5770 898
www.esbe.com.tr

Ukraine

Afriso LLC
Tel: +38 044 332 01 32
www.afriso.com.ua

ESBE COMPANIES

Sweden • Head office and factory

ESBE AB
Bruksgatan 22
SE-330 21 Reftele
Tel: +46 (0)371 - 570 000
Fax: +46 (0)371 - 570 020
E-mail: sales@esbe.se
www.esbe.se

Denmark

ESBE Danmark, filial af ESBE AB i Sverige
Svinballevej 35
DK-8350 Hundslund
Tel: +45 75655011
Email: joern.nissen@esbe.se
www.esbe.se

Germany, Austria

ESBE GmbH
Newtonstr. 14
DE-85221 Dachau
Tel: +49 (0)8131 99 667-0
Fax: +49 (0)8131 99 667-77
E-mail: info@esbe.de
www.esbe.de

France

ESBE S.a.r.l.
14 Rue du Fossé Blanc Bat A1
FR-92230 Gennevilliers
Tel: +33 (0) 1 47 90 07 26
Fax: +33 (0) 1 47 91 17 13
E-mail: info@esbe.fr
www.esbe.fr

Italy

ESBE S.r.l.
Zona Produttiva Vurza 22
IT-39055 Pineta di Laives /BZ
Tel: +39 0471 593360
Fax: +39 0471 590685
E-mail: info-italia@esbe.de
www.esbe-italia.it

Turkey

ESBE Türkiye Ofisi
Kayışdağı Caddesi,
Cengizhan Sokak No:6 Kat:1
Küçükbakkalköy – Ataşehir
İstanbul
Tel: +90 216 5770 898
Fax: +90 216 5770 898
E-mail: info@esbe.com.tr
www.esbe.com.tr

Poland

ESBE Hydronic Systems Sp. z o.o.
ul. Garbary 56
PL-61-758 Poznań
Tel: +48 61 85 10 728
Fax: +48 61 85 82 208
E-mail: info.pl@esbe.eu
www.esbe.pl



NO.1 IN HYDRONIC SYSTEM CONTROL