



Japanese Technology since 1912

EVMS - Vertical Multistage Pumps


Data Book 60Hz



EVMS

1-3-5-10-15-20-32-45-64-90






	Page
1. SPECIFICATIONS  ①	
1.1 TYPICAL APPLICATIONS	1
1.2 PERFORMANCE RANGE	2
2. EVMS(.) 1-3-5-10-15-20-32-45-64-90	
2.1 PRODUCT FEATURES	3
2.2 PRODUCT SPECIFICATIONS	4
2.3 SHAFT SEAL	6
2.4 TYPE KEY and NAMEPLATE	8
2.5 PERFORMANCE RANGE	10
2.6 CURVE SPECIFICATIONS	11
2.7 SELECTION CHART	12
2.8 EVMS(L)1	16
EVMSG1	22
2.9 EVMS(L)3	28
EVMSG3	34
2.10 EVMS(L)5	40
EVMSG5	46
2.11 EVMS(L)10	52
EVMSG10	58
2.12 EVMS(L)15	64
EVMSG15	70
2.13 EVMS(L)20	76
EVMSG20	82
2.14 EVMS(L)32	88
EVMSG32	96
2.15 EVMS(L)45	104
EVMSG45	112
2.16 EVMS(L)64	120
EVMSG64	128
2.17 EVMS(L)90	136
EVMSG90	144
3. PACKING	
3.1 PACKING DRAWING	152
3.2 PACKING DATA	154
4. MOTOR DATA	
4.1 GENERAL and NOISE DATA	158
4.2 TECHNICAL MOTOR DATA	159

VERTICAL MULTISTAGE PUMPS

TYPICAL APPLICATIONS

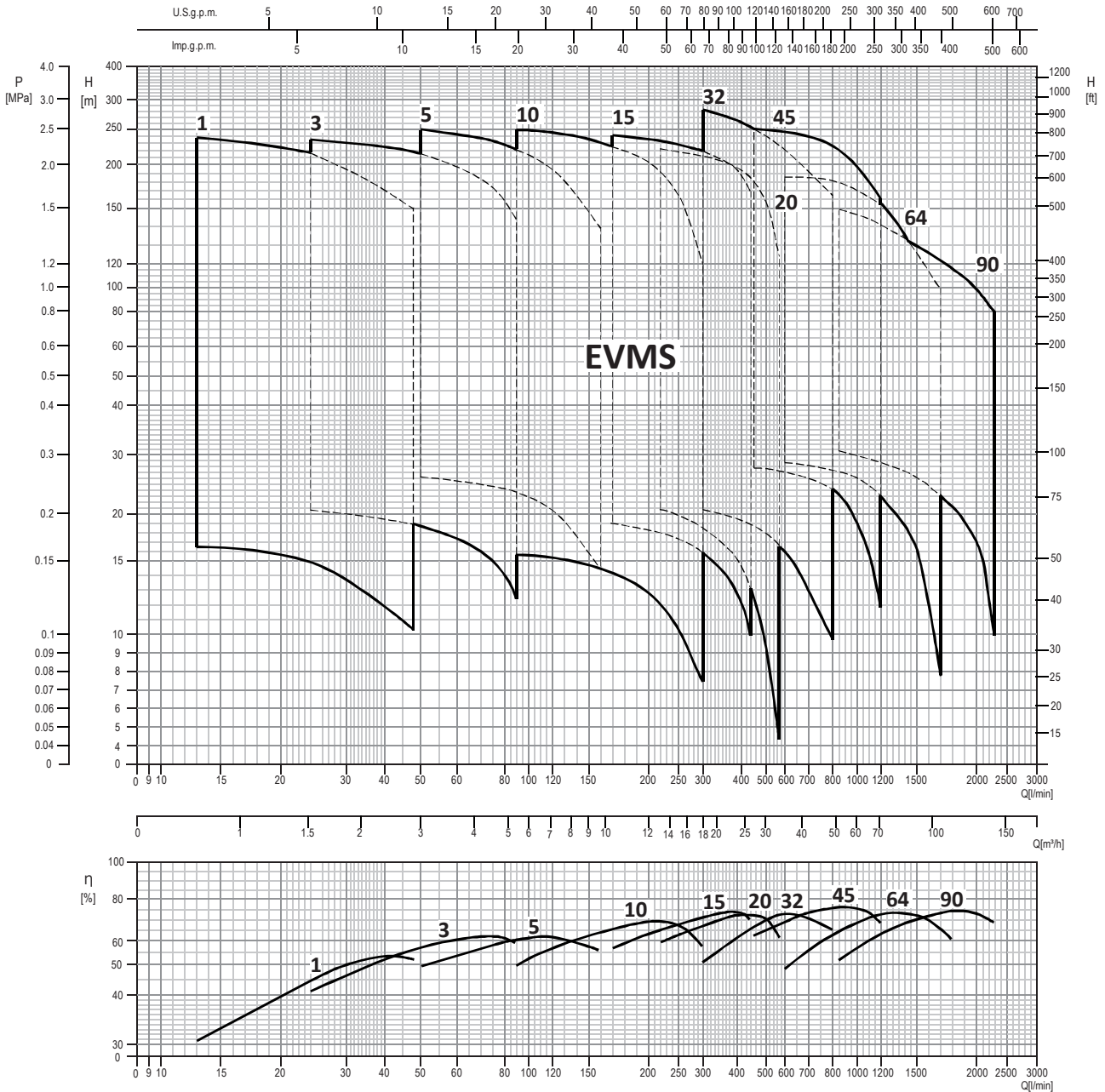
1.1

TYPICAL APPLICATIONS

INDUSTRY	BUILDING SERVICE	WATER SUPPLY
		
<ul style="list-style-type: none"> • Water treatment reverse osmosis ultra-filtration water purification micro-filtration softening, ionizing and demineralising systems swimming pools separators • Boiler feeding steam systems condensate systems • Wash and clean vehicle washing systems industrial part washing laundry systems supply of liquids with acids and bases supply of chemical liquids • Chilling handling of refrigerants for cooling thermal control systems industrial cooling laser cooling • Machine tooling cooling lubricant supply for tooling machines • Pressure boosting pressure boosting for industrial use • Food & Beverage food washing systems bottle wash systems • Pharmaceutical industries • Marine applications freshwater, deckwash, high fog and fire fighting on ships 	<ul style="list-style-type: none"> • Pressure boosting pressure boosting for buildings pressure boosting for high rise buildings/hotels • Sprinkler systems • Fire fighting systems jockey pump • District heating • Heat exchangers / fan heaters • Air conditioning systems • Heating systems 	<ul style="list-style-type: none"> • Water treatment water treatment plants filtration water treatment plants transfer • Pressure boosting transfer from water treatment plants (mains) • Irrigation golf course / sport fields irrigation • Agriculture sprinkler irrigation drip irrigation

PERFORMANCE RANGE
EVMS(.)1-3-5-10-15-20-32-45-64-90







PERFORMANCE RANGE



PRODUCT FEATURES

[General]

- 1. Pump Type**
The **EVMS** is non-self-priming, vertical multistage in line, centrifugal pumps.
- 2. Model range**
The EVMS comes in **1,3,5,10,15,20,32,45,64 and 90 m³/h** flow sizes for the majority market needs.
- 3. Maximum operating pressure**
The EVMS can be operated at **16, 25, 30 bar or 35 bar as maximum**.
- 4. Operating temperature range**
The EVMS can be operated **from - 30°C to + 140°C** as the maximum.
(please contact EBARA in case of -30°C to -15°C, or 120-140°C)
- 5. Material options**
AISI 304, AISI 316L and Cast iron versions are available.
- 6. Motor**
The EVMS can be coupled with **the commercial motors** that are acquired in the markets.
The EVMS is provide as the electric pump with IE3 motor from 0.75 kW to 11 kW.
PTC sensor pre-installed for motors of 1.5 kW and above.
Unlosable screw and sealing from 0.75 kW to 45 kW are standard for terminal box fixing.
- 7. Certifications**

	Drinking water approval					Atmosferes explosibles approval
	ICIM	ACS	DVGW *	WRAS		ATEX 2014/34/UE (bare pumps)
Mechanical seal					no BKW/0871/01/2019	
	SiC/Carbon_ EPDM	SiC/Carbon_ EPDM	All variations with EPDM on page 6-7	SiC/Carbon_ EPDM	All variations with EPDM on page 6-7	All variations on page 6-7
EVMSG	●	-	-	-	●	●
EVMS	●**	●	●	●	●	●
EVMSL	●**	●	●	●	●	●

Note: * DVGW W270 is certified for elastomers. Reg. Nr. DW-5253CR0217
KTW is certified for organic components

** only for models 1, 3, 5, 10, 15, 20

● Available

8. Conform to the provisions of the European directives



[Main Product Features]

- 1. Innovative hydraulic solutions**
 - The **Commercial motors** can be fitted to all of the pump models without any modifications thanks to low pump axial thrust load.
 - Low axial thrust load impeller can ensure **long life of the motor bearing**.
- 2. Energy saving**
 - High efficiency IE3 with ETM motor.**
 - The **VFD (Variable frequency drive)** and the **commercial sensor** can be directly mounted on EVMS to **maintain physical constant operations** such as pumping pressure depending on the conditions of use.
- 3. Piping connection options**
 - The various pipe connections are available depending on the application requirements **Oval flange / Round flange / Loose flange / Victaulic® connection / Clamp connection.**
 - The external dimensions can be adjusted to the replacement of the existing pump in the wide majority.
- 4. Shaft seal solutions**
 - Silicon carbide inclusions with graphite can be used as **dry lubricant to reduce friction.**
 - It's conforming to EN12756 (ex DIN 24960).
- 5. Easy maintenance**
 - The **cartridge mechanical seal** enables the **plug in replacement** of the shaft seal without disassembling the motor bracket.
 - The **spacer coupling** allows easy maintenance without having to remove heavy motors over 5.5 kW.
- 6. Smart plug solutions**
Air ventilation plug / Water filling & sensor plug / Commercial sensor fitting / Measurements for suction and discharge pressure / drain.

PRODUCT SPECIFICATIONS
EVMS(.)1-3-5-10-15-20

PUMP																				
Version		EVMSG						EVMS						EVMSL						
Operating range	Nominal flow rate (m³/h)	1	3	5	10	15	20	1	3	5	10	15	20	1	3	5	10	15	20	
	Maximum working pressure	1.6 / 2.5 MPa (16 / 25 bar)																		
	Liquid temperature range	-30°C to 140°C (please contact EBARA in case of -30°C to -15°C, or 120-140°C)																		
Key Components Material	Impeller	EN 1.4301 (AISI 304)						EN 1.4404 (AISI 316L)												
	Intermediate casing	EN 1.4301 (AISI 304)						EN 1.4404 (AISI 316L)												
	Liner ring	EN 1.4301 (AISI 304) + PPS						EN 1.4404 (AISI 316L) + PPS												
	Bottom casing	Cast Iron			EN 1.4301 (AISI 304)			EN 1.4404 (AISI 316L)												
	Casing cover	EN 1.4301 (AISI 304)						EN 1.4404 (AISI 316L)												
	Shaft	EN 1.4301 (AISI 304)	EVMSG / EVMS 1-3-10 , EVMSG / EVMS 5-15-20 (depend on models)																	
		EN 1.4404 (AISI 316L)	EVMSL 1-3-10 , EVMSL 5-15-20 (depend on models)																	
		EN 1.4462 (AISI 329A)	EVMSG / EVMS / EVMSL 5-15-20 (depend on models)																	
	Shaft sleeve bearing	Tungsten carbide																		
	Shaft Seal	see the shaft seal options																		
	O-ring	EPDM	●	●	●	●	●	●	●	●	●	●	●	●	●	●	●	●	●	●
		FPM	●	●	●	●	●	●	●	●	●	●	●	●	●	●	●	●	●	●
	Outer casing	EN 1.4301 (AISI 304)						EN 1.4404 (AISI 316L)												
	Motor Bracket	Cast Iron																		
	Tie rod	EN 1.4057 (AISI 431)																		
Coupling	up to 4.0 kW	Die cast aluminium																		
	from 5.5 kW	Cast Iron																		
Base	Cast Iron						Die cast aluminium													
Pipe connection	Oval flange up to 16 bar	●	●	●	●	●	●	●	●	●	●	●	●	●	●	●	●	●	●	
	Round flange (DIN)	up to 16 bar	●	●	●	●	●	●	●	●	●	●	●	●	●	●	●	●	●	
		from 16 bar to 25 bar	●	●	●	●	●	●	●	●	●	●	●	●	●	●	●	●	●	
	Loose round flange (DIN)	up to 16 bar							●	●	●	●	●	●	●	●	●	●	●	
		from 16 bar to 25 bar							●	●	●	●	●	●	●	●	●	●	●	
	Victaulic® up to 16/25 bar								●	●	●	●	●	●	●	●	●	●	●	
Clamp up to 16/25 bar								●	●	●	●	●	●	●	●	●	●	●		

Legend: ● Available

MOTOR		
Power Source	Frequency	60 Hz
	Phase	Three Phase
	Power rating	0.37 ÷ 18.5 kW
		0.5 ÷ 25 HP
Voltage	220/380V +10% / -5% : up to 4.0 kW	
	380/660 +10% / -5% : above 5.5 kW	
	460V ± 10% : from 0.37 kW up to 18.5 kW	
Type	Type	IC411 - TEFC
	Efficiency Level	- : from 0.37 kW up to 0.55 kW
		IE3 : for 0.75 kW and from 4.0 kW up to 11 kW
		IE3* : from 1.1 kW up to 3.0 kW and above 15 kW
	No° of poles	2
	Protection degree	IP55 : up to 11 kW
IP56 : above 15 kW		
Insulation Class	F (temperature rise class B)	
Others	Thermal Protection	PTC sensor pre-installed for motors of 1.5 kW and above
	Casing Material	Aluminium
	Flange mount (IEC motor)	IM B14 : up to 4.0 kW
		IM B5 : above 5.5 kW
Terminal Box fixing	Unlosable screw and sealing from 0.75 kW to 18.5 kW	

* : only for 460V

PRODUCT SPECIFICATIONS EVMS(.).32-45-64-90

PUMP														
Version		EVMSG				EVMS				EVMSL				
Operating range	Nominal flow rate (m³/h)	32	45	64	90	32	45	64	90	32	45	64	90	
	Maximum working pressure	1.6 / 2.5/ 3.0 / 3.5 MPa (16 / 25 / 30 / 35 bar)												
	Liquid temperature range	-30°C to 140°C (please contact EBARA in case of -30°C to -15°C, or 120-140°C)												
Key Components Material	Impeller	EN 1.4301 (AISI 304)						EN 1.4404 (AISI 316L)						
	Intermediate casing	EN 1.4301 (AISI 304)						EN 1.4404 (AISI 316L)						
	Liner ring	EN 1.4301 (AISI 304) + PPS						EN 1.4404 (AISI 316L) + PPS						
	Bottom casing	Cast Iron EN GJL-250 EN 1561 (for EVMSG32 and EVMSG45-90 up to 16 bar) Cast Iron EN GJS 400-15 EN 1563 (for EVMSG45-90 above 16 bar)				EN 1.4308 (ASTM CF8)				EN 1.4408 (ASTM CF8M)				
	Casing cover	EN 1.4301 (AISI 304)						EN 1.4404 (AISI 316L)						
	Shaft	EN 1.4301 (AISI 304)	EVMSG / EVMS 32-45-64-90 (depend on models)											
		EN 1.4404 (AISI 316L)	EVMSL 32-45-64 (depend on models)											
		EN 1.4462 (AISI 329A)	EVMSL 45-64-90 (depend on models)											
	Shaft sleeve bearing	Tungsten carbide												
	Shaft Seal	see the shaft seal options												
	O-ring	EPDM	●	●	●	●	●	●	●	●	●	●	●	●
		FPM	●	●	●	●	●	●	●	●	●	●	●	●
	Outer casing	EN 1.4301 (AISI 304)						EN 1.4404 (AISI 316L)						
	Motor Bracket	Cast Iron EN GJS 400-15 EN 1563												
	Tie rod	EN 1.4057 (AISI 431)												
Coupling	up to 4.0 kW	Die cast Aluminium EN AB-AISI11 Cu2 (Fe)												
	from 5.5 kW to 30 kW	Cast Iron EN GJL250 EN 1561												
	above 37 kW	Carbon Steel												
Base	Cast Iron EN GJL200 EN 1561													
Pipe connection	Round flange (DIN)	●	●	●	●									
	Louse round flange (DIN)					●	●	●	●	●	●	●	●	

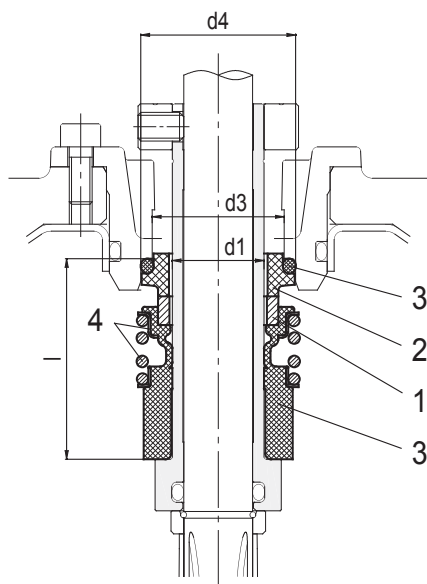
Legend: ● Available

MOTOR		
Power Source	Frequency	60 Hz
	Phase	Three Phase
	Power rating	3.0 ÷ 45 kW
		4.0 ÷ 60 HP
Voltage	220/380V +10% / -5% : up to 4.0 kW	
	380/660 +10% / -5% : above 5.5 kW	
	460V ± 10% : from 3.0 kW up to 45 kW	
Type	Type	IC411 - TEFC
	Efficiency Level	IE3 : from 4.0 kW up to 11 kW
		IE3* : for 3.0 kW and above 15 kW
	No° of poles	2
	Protection degree	IP55 : up to 11 kW
IP56 : above 15 kW		
Insulation Class	F (temperature rise class B)	
Others	Thermal Protection	PTC
	Casing Material	Aluminium : up to 30 kW
		Cast Iron : above 37 kW
	Flange mount (IEC motor)	IM B14 : up to 4.0 kW
IM B5 : above 5.5 kW		
Terminal Box fixing	Unlosable screw and sealing from 3.0 kW to 45 kW	

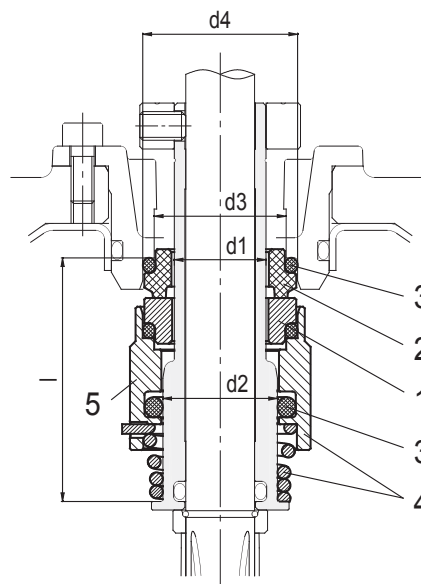
* only for 460V

SHAFT SEAL
EVMS(.)1-3-5-10-15-20

1. Shaft Seal



up to 16 bar
Cartridge Unbalanced type



up to 25 bar
Cartridge Balanced type

2. Type of Shaft Seal and Dimensions [mm]

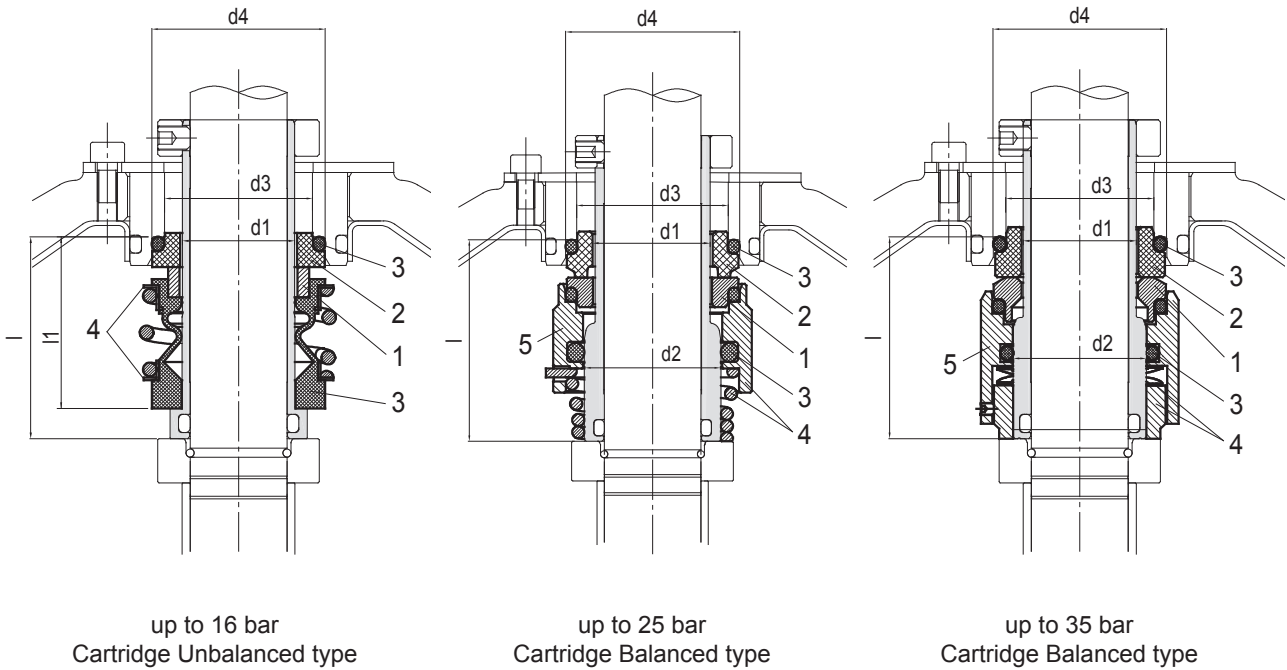
Type key	Availability	Max operating pressure	Max operating temperature	Shaft seal type		Shaft seal material								
				Cartridge		1		2		3		4		5
				Type	Code	Rotating part	Code	Stationary part	Code	Elastomers	Code	Compression spring	Collar	Code
Q1BEG	●	16 bar	- 30°C to + 120°C	Unbalanced	(-)	SiC	(Q1)	Carbon	(B)	EPDM	(E)	AISI 316		(G)
BQ1VG	●	16 bar	- 30°C to + 80°C	Unbalanced	(-)	Carbon	(B)	SiC	(Q1)	FPM	(V)	AISI 316		(G)
HQ1BEG	●	25 bar	- 30°C to + 140°C	Balanced	(H)	SiC	(Q1)	Carbon	(B)	EPDM	(E)	AISI 316		(G)
HQ1BVG	●	25 bar	- 30°C to + 80°C	Balanced	(H)	SiC	(Q1)	Carbon	(B)	FPM	(V)	AISI 316		(G)
HQgQ1EG	●	25 bar	- 30°C to + 140°C	Balanced	(H)	SiC with graphite	(Qg)	SiC	(Q1)	EPDM	(E)	AISI 316		(G)
HQgQ1VG	●	25 bar	- 30°C to + 80°C	Balanced	(H)	SiC with graphite	(Qg)	SiC	(Q1)	FPM	(V)	AISI 316		(G)

● Available

Pump model	Shaft seal type		Max operating pressure	d1 [mm]	d2 [mm]	d3 [mm]	d4 [mm]	l [mm]
EVMS 1/3/5	Cartridge	Unbalanced	16 bar	16	-	23	27	35
		Balanced	25 bar		20			42.5
EVMS 10/15/20	Cartridge	Unbalanced	16 bar	20	-	29	35	37.5
		Balanced	25 bar		24			45

SHAFT SEAL EVMS(.).32-45-64-90

1. Shaft Seal



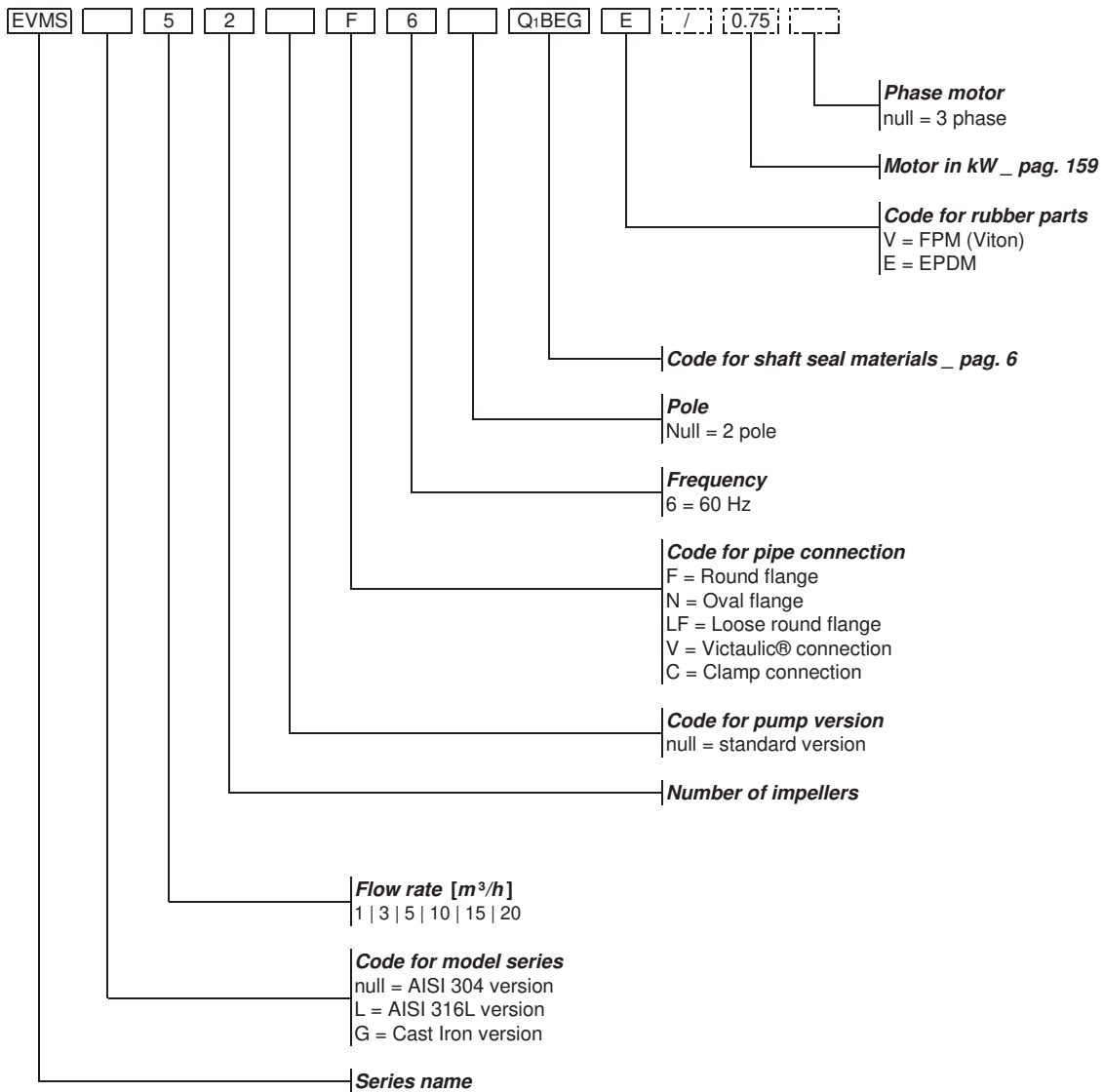
2. Type of Shaft Seal and Dimensions [mm]

Type key	Availability	Max operating pressure	Max operating temperature	Shaft seal type		Shaft seal material								
				Cartridge		1		2		3		4		5
				Type	Code	Rotating part	Code	Stationary part	Code	Elastomers	Code	Compression spring	Collar	Code
BQ1EG	●	16 bar	- 30°C to + 120°C	Unbalanced	(-)	Carbon	(B)	SiC	Q1	EPDM	(E)	AISI 316	(G)	
BQ1VG	●	16 bar	- 30°C to + 80°C	Unbalanced	(-)	Carbon	(B)	SiC	Q1	FPM	(V)	AISI 316	(G)	
HQ1BEG	●	25/35 bar	- 30°C to + 140°C	Balanced	(H)	SiC	(Q1)	Carbon	(B)	EPDM	(E)	AISI 316	(G)	
HQ1BVG	●	25/35 bar	- 30°C to + 80°C	Balanced	(H)	SiC	(Q1)	Carbon	(B)	FPM	(V)	AISI 316	(G)	
HQgQ1EG	●	25/35 bar	- 30°C to + 140°C	Balanced	(H)	SiC with graphite	(Qg)	SiC	(Q1)	EPDM	(E)	AISI 316	(G)	
HQgQ1VG	●	25/35 bar	- 30°C to + 80°C	Balanced	(H)	SiC with graphite	(Qg)	SiC	(Q1)	FPM	(V)	AISI 316	(G)	

● Available

Pump model	Shaft seal type		Max operating pressure	d1 [mm]	d2 [mm]	d3 [mm]	d4 [mm]	l [mm]	l1 [mm]
EVMS 32/45/64/90	Cartridge	Unbalanced	16 bar	28	-	37	43	50	42.5
		Balanced	25 bar		33				-
		Balanced	35 bar		-				-

TYPE KEY
EVMS(.)1-3-5-10-15-20



Example for pump without motor:
EVMS5 2F6Q1BEGE

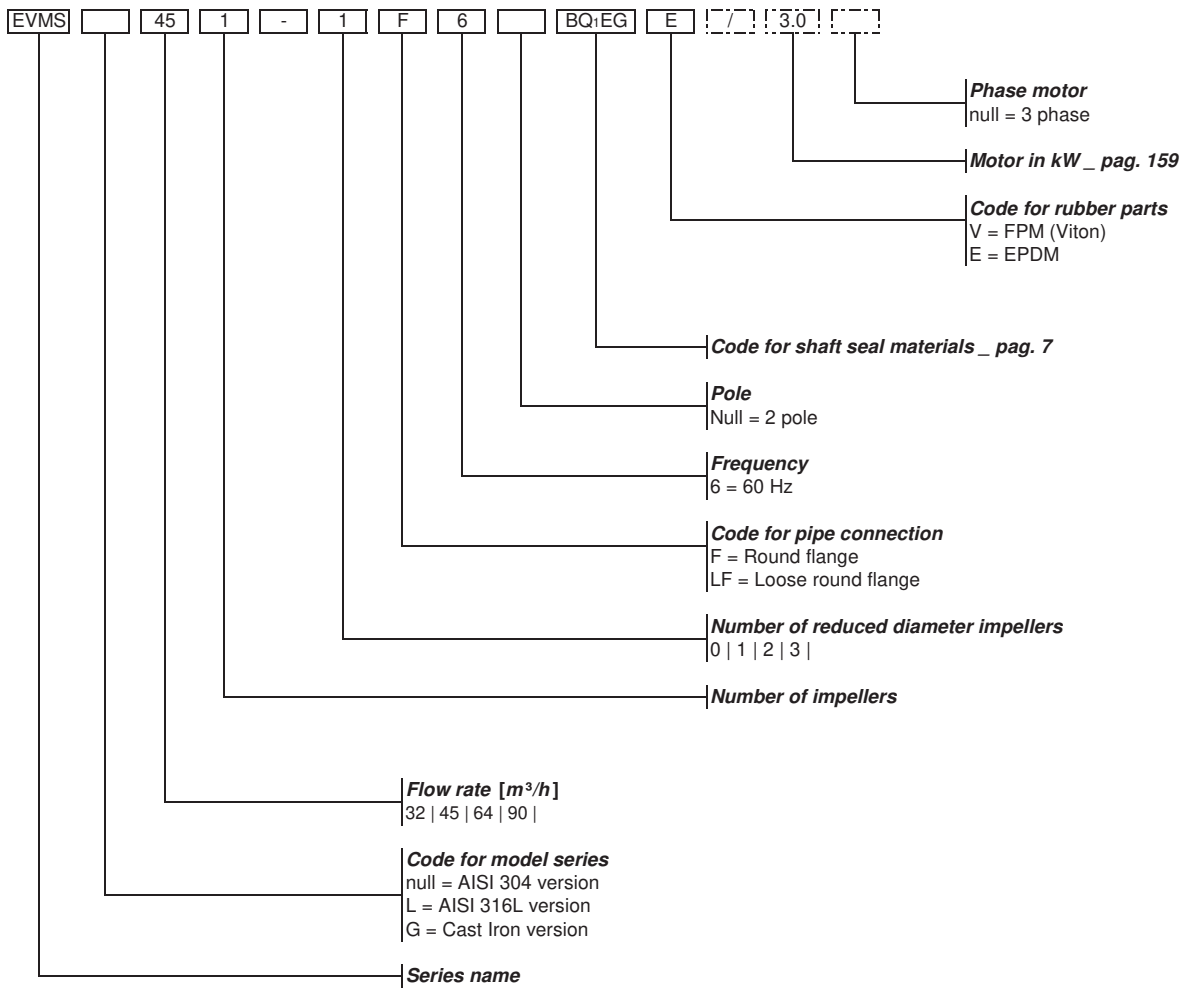
Example for pump with motor:
EVMS5 2F6Q1BEGE/0.75

NAMEPLATE

EBARA Pumps Europe S.p.A. Via Campo Sportivo, 30 38023 Cles (TN), ITALY Phone +39 0444 709811 V.A.T.: 01234960221		MADE IN ITALY	
TYPE			
⊕ P/N		⊕	
Hmax	m	Hmin	m
Q	l/min	H	m
P2	kW	HP	
Hz		min ⁻¹	
MEI >		Hyd. eff.	%

- "TYPE" Pump model
- "P/N" Pump item number
- "Hmax" Maximum head
- "Hmin" Minimum head
- "Q" Indicates upper and lower flow rate limits
- "H" Indicates head limits corresponding to minimum and maximum flow rate
- "P2" Rated power of the motor (output at shaft)
- "HP" Rated power of the motor expressed in HP (Horse Power)
- "Hz" Frequency
- "min-1" Speed of rotation
- "MEI" Index of the pump's quality in relation to its efficiency
- "Hyd. Eff." Hydraulic efficiency of the pump

TYPE KEY EVMS(.).32-45-64-90



Example for **pump without motor**:
EVMS45 1-1F6BQ1EGE

Example for **pump with motor**:
EVMS45 1-1F6BQ1EGE/3.0

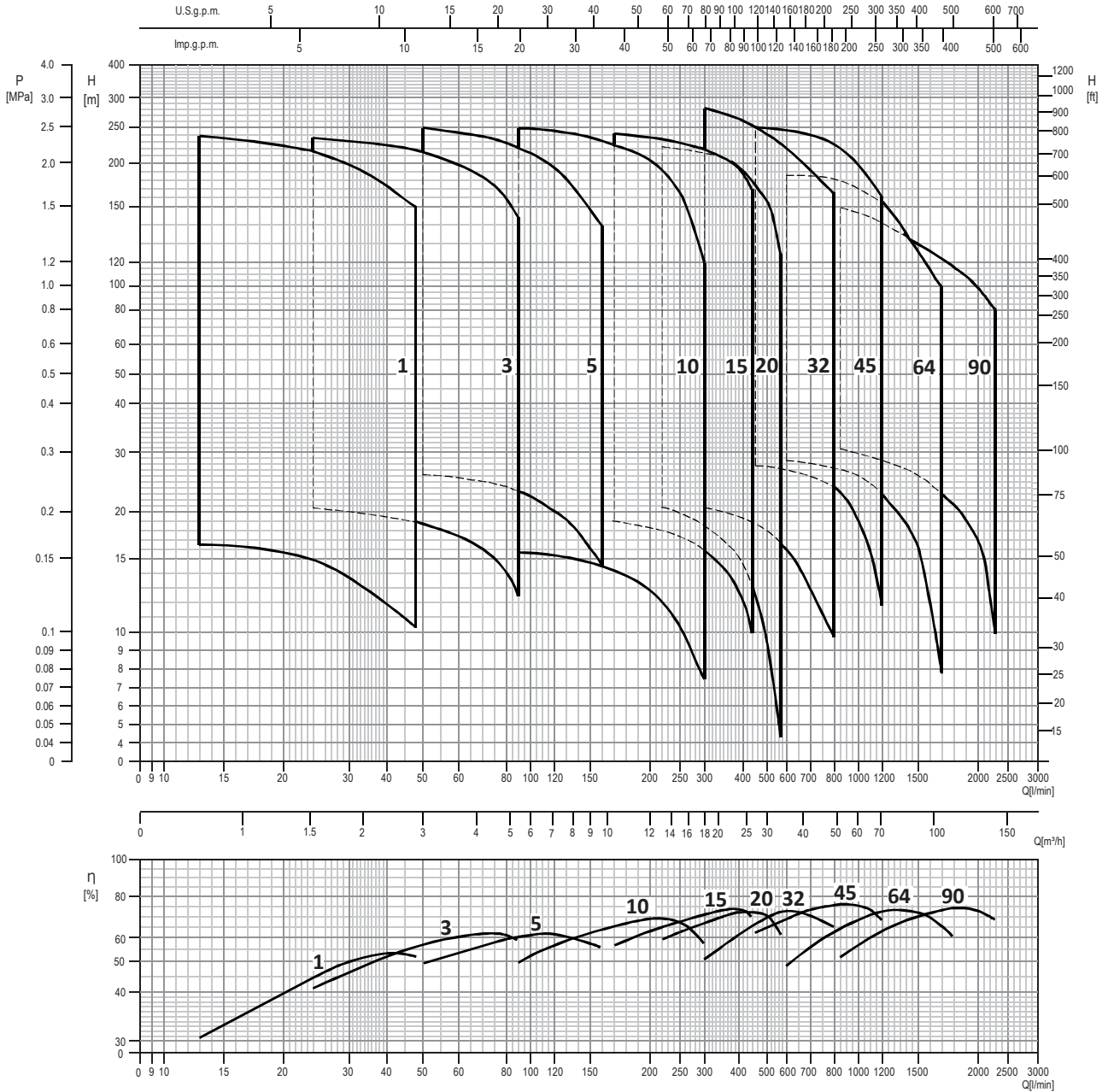
NAMEPLATE

EBARA Pumps Europe S.p.A. Via Campo Sportivo, 30 38023 Cles (TN), ITALY Phone +39 0444 706811 V.A.T.: 01234660221				MADE IN ITALY	
TYPE					
⊕ P/N ⊕					
Hmax	m	Hmin	m		
Q	l/min	H	m		
P2	kW		HP		
Hz	min ⁻¹				
MEI >	Hyd. eff.		%		

- "TYPE" Pump model
- "P/N" Pump item number
- "Hmax" Maximum head
- "Hmin" Minimum head
- "Q" Indicates upper and lower flow rate limits
- "H" Indicates head limits corresponding to minimum and maximum flow rate
- "P2" Rated power of the motor (output at shaft)
- "HP" Rated power of the motor expressed in HP (Horse Power)
- "Hz" Frequency
- "min⁻¹" Speed of rotation
- "MEI" Index of the pump's quality in relation to its efficiency
- "Hyd. Eff." Hydraulic efficiency of the pump

PERFORMANCE RANGE
EVMS(.)1-3-5-10-15-20-32-45-64-90

PERFORMANCE RANGE



CURVE SPECIFICATIONS

2.6

CURVE SPECIFICATIONS

The specifications below qualify the curves shown on the following pages.

Tolerances according to ISO 9906:2012 - Grade 3B.

Performance curves are defined with the following rotation speed (nominal rotation speed of the motor):

- up to 18.5 kW: 3500 rpm

- from 22 kW up to 45 kW: 3550 rpm

Measurements were carried out with clean water at 20°C of temperature and with a kinematic viscosity of $\nu = 1 \text{ mm}^2/\text{s}$ (1 cSt).

The NPSH curve is an average curve obtained in the same conditions of performance curves.

During the pump selection, consider to get a safety margin of at least 0.5 m.

The continuous curves indicate the recommended working range. The dotted curve is only a guide.

In order to avoid the risk of over-heating, the pumps should not be used at a flow rate below 10% of best efficiency point.

Symbols explanation:

- Q - volume flow rate
- H - total head
- P_2 - pump power input (shaft power)
- η - pump efficiency
- NPSH - net positive suction head required by the pump
- MEI - minimum efficiency index
- $\varnothing D_2$ - P_2 with full diameter
- $\varnothing D_2^*$ - P_2 with reduced diameter

SELECTION CHART
EVMS(.)1-3-5

SELECTION CHART

Pump Type	Motor			Maximum working pressure (MPa)	Q=Capacity											
	Three phase	kW	HP		Size	H=Total manometric head in metres										
						l/min	0	13	25	48	50	75	90	120	160	
					m ³ /h	0	0.8	1.5	2.9	3.0	4.5	5.4	7.2	9.6		
1	EVMS(.)1 2/0.37	0.37	0.5	71	1.6	17.2	16.4	15	10.3	-	-	-	-	-		
	EVMS(.)1 3/0.37	0.37	0.5	71	1.6	25.8	24.6	22.5	15.5	-	-	-	-	-		
	EVMS(.)1 4/0.37	0.37	0.5	71	1.6	34.5	32.7	30.0	20.6	-	-	-	-	-		
	EVMS(.)1 5/0.37	0.37	0.5	71	1.6	43.1	40.9	37.5	25.4	-	-	-	-	-		
	EVMS(.)1 6/0.55	0.55	0.75	71	1.6	51.5	49.1	45	31	-	-	-	-	-		
	EVMS(.)1 7/0.55	0.55	0.75	71	1.6	60.5	57.5	52.5	36.1	-	-	-	-	-		
	EVMS(.)1 8/0.75	0.75	1	80	1.6	69	65.5	60	41.5	-	-	-	-	-		
	EVMS(.)1 9/0.75	0.75	1	80	1.6	77.5	73.5	67.5	46.5	-	-	-	-	-		
	EVMS(.)1 10/0.75	0.75	1	80	1.6	86	82	75	51.5	-	-	-	-	-		
	EVMS(.)1 11/1.1	1.1	1.5	80	1.6	94.5	90	82.5	57	-	-	-	-	-		
	EVMS(.)1 12/1.1	1.1	1.5	80	1.6	103	98	90	62	-	-	-	-	-		
	EVMS(.)1 13/1.1	1.1	1.5	80	1.6	112	106	97.5	67	-	-	-	-	-		
	EVMS(.)1 14/1.1	1.1	1.5	80	1.6	121	115	105	72.5	-	-	-	-	-		
	EVMS(.)1 16/1.5	1.5	2	90	1.6	138	131	120	82.5	-	-	-	-	-		
	EVMS(.)1 18/1.5	1.5	2	90	1.6	155	147	135	93	-	-	-	-	-		
	EVMS(.)1 20/1.5	1.5	2	90	2.5	172	164	150	103	-	-	-	-	-		
	EVMS(.)1 22/2.2	2.2	3	90	2.5	190	180	165	114	-	-	-	-	-		
	EVMS(.)1 24/2.2	2.2	3	90	2.5	207	196	180	124	-	-	-	-	-		
	EVMS(.)1 26/2.2	2.2	3	90	2.5	224	213	195	134	-	-	-	-	-		
	EVMS(.)1 27/2.2	2.2	3	90	2.5	233	221	202	139	-	-	-	-	-		
	EVMS(.)1 29/2.2	2.2	3	90	2.5	250	237	217	150	-	-	-	-	-		
3	EVMS(.)3 2/0.37	0.37	0.5	71	1.6	21.4	-	20.5	18.9	18.7	15.5	12.4	-	-		
	EVMS(.)3 3/0.55	0.55	0.75	71	1.6	32.1	-	30.7	28.3	28	23.3	18.6	-	-		
	EVMS(.)3 4/0.75	0.75	1	80	1.6	43	-	41	37.7	37.4	31	24.8	-	-		
	EVMS(.)3 5/0.75	0.75	1	80	1.6	53.5	-	51	47	46.5	38.8	31	-	-		
	EVMS(.)3 6/1.1	1.1	1.5	80	1.6	64.5	-	61.5	56.5	56	46.5	37.2	-	-		
	EVMS(.)3 7/1.1	1.1	1.5	80	1.6	75	-	71.5	66	65.5	54.5	43.5	-	-		
	EVMS(.)3 8/1.5	1.5	2	90	1.6	85.5	-	82	75.5	74.5	62	49.5	-	-		
	EVMS(.)3 9/1.5	1.5	2	90	1.6	96.5	-	92	85	84	69	56	-	-		
	EVMS(.)3 10/1.5	1.5	2	90	1.6	107	-	102	94.5	93.5	77.5	62	-	-		
	EVMS(.)3 11/2.2	2.2	3	90	1.6	118	-	113	104	103	85.5	68	-	-		
	EVMS(.)3 12/2.2	2.2	3	90	1.6	129	-	123	113	112	93.0	74.5	-	-		
	EVMS(.)3 13/2.2	2.2	3	90	1.6	139	-	133	123	122	101	80.5	-	-		
	EVMS(.)3 14/2.2	2.2	3	90	1.6	150	-	143	132	131	109	86.5	-	-		
	EVMS(.)3 15/3.0	3.0	4	100	1.6	161	-	154	142	140	116	93	-	-		
	EVMS(.)3 16/3.0	3.0	4	100	2.5	172	-	164	151	150	124	99	-	-		
	EVMS(.)3 17/3.0	3.0	4	100	2.5	182	-	174	160	159	132	105	-	-		
	EVMS(.)3 19/3.0	3.0	4	100	2.5	204	-	195	179	178	147	118	-	-		
	EVMS(.)3 20/3.0	3.0	4	100	2.5	214	-	205	189	187	155	124	-	-		
	EVMS(.)3 21/4.0	4.0	5.5	112	2.5	225	-	215	198	196	163	130	-	-		
	EVMS(.)3 22/4.0	4.0	5.5	112	2.5	236	-	225	208	206	171	136	-	-		
	EVMS(.)3 23/4.0	4.0	5.5	112	2.5	247	-	235	217	215	178	143	-	-		
5	EVMS(.)5 2/0.75	0.75	1	80	1.6	27.6	-	-	-	26.1	24.6	23.4	20.4	14.6		
	EVMS(.)5 3/1.1	1.1	1.5	80	1.6	41.4	-	-	-	39.2	36.9	35.1	30.6	21.9		
	EVMS(.)5 4/1.5	1.5	2	90	1.6	55	-	-	-	52.5	49	47	40.5	29.3		
	EVMS(.)5 5/2.2	2.2	3	90	1.6	69	-	-	-	65.5	61.5	58	51	36.6		
	EVMS(.)5 6/2.2	2.2	3	90	1.6	83	-	-	-	78.5	74	70	61	44		
	EVMS(.)5 7/3.0	3.0	4	100	1.6	96.5	-	-	-	91.5	86	82	71.5	51		
	EVMS(.)5 8/3.0	3.0	4	100	1.6	110	-	-	-	105	98.5	93.5	81.5	58.5		
	EVMS(.)5 9/3.0	3.0	4	100	1.6	124	-	-	-	118	111	105	91.5	66		
	EVMS(.)5 10/4.0	4.0	5.5	112	1.6	138	-	-	-	131	123	117	102	73		
	EVMS(.)5 11/4.0	4.0	5.5	112	1.6	152	-	-	-	144	135	129	112	80.5		
	EVMS(.)5 12/4.0	4.0	5.5	112	1.6	166	-	-	-	157	148	140	122	88		
	EVMS(.)5 13/5.5	5.5	7.5	132	2.5	179	-	-	-	170	160	152	132	95		
	EVMS(.)5 14/5.5	5.5	7.5	132	2.5	193	-	-	-	183	172	164	143	102		
	EVMS(.)5 15/5.5	5.5	7.5	132	2.5	207	-	-	-	196	185	175	153	110		
	EVMS(.)5 16/5.5	5.5	7.5	132	2.5	221	-	-	-	209	197	187	163	117		
	EVMS(.)5 17/7.5	7.5	10	132	2.5	235	-	-	-	222	209	199	173	124		
	EVMS(.)5 19/7.5	7.5	10	132	2.5	262	-	-	-	248	234	222	194	139		

1.6 MPa=16 bar; 2.5 MPa=25 bar

SELECTION CHART EVMS(.)10-15-20

Pump Type	Motor			Maximum working pressure (MPa)	Q=Capacity																
	Three phase	kW	HP		Size	H=Total manometric head in metres															
						l/min	0	90	120	160	170	200	220	250	300	350	400	440	500	570	
					m ³ /h	0	5.4	7.2	9.6	10.2	12.0	13.2	15.0	18.0	21.0	24.0	26.4	30.0	34.2		
10	EVMS(.)10 1/0.75	0.75	1	80	1.6	16	15.6	15.3	14.4	14.1	13	12.1	10.6	7.4	-	-	-	-	-	-	
	EVMS(.)10 2/1.5	1.5	2	90	1.6	32	31.1	30.7	28.9	28.2	26.1	24.3	21.1	14.8	-	-	-	-	-	-	
	EVMS(.)10 3/2.2	2.2	3	90	1.6	48	46.5	46	43.3	42.4	39.1	36.4	31.7	22.2	-	-	-	-	-	-	
	EVMS(.)10 4/3.0	3.0	4	100	1.6	64	62	61.5	58	56.5	52	48.5	42	29.6	-	-	-	-	-	-	
	EVMS(.)10 5/4.0	4.0	5.5	112	1.6	80	77.5	76.5	72	70.5	65	60.5	52.5	37	-	-	-	-	-	-	
	EVMS(.)10 6/4.0	4.0	5.5	112	1.6	96	93.5	92	86.5	84.5	78	73	63.5	44.5	-	-	-	-	-	-	
	EVMS(.)10 7/5.5	5.5	7.5	132	1.6	112	109	107	101	99	91	85	74	52	-	-	-	-	-	-	
	EVMS(.)10 8/5.5	5.5	7.5	132	1.6	128	125	123	115	113	104	97.1	84.5	59	-	-	-	-	-	-	
	EVMS(.)10 9/5.5	5.5	7.5	132	1.6	144	140	138	130	127	117	109	95	66.5	-	-	-	-	-	-	
	EVMS(.)10 10/7.5	7.5	10	132	1.6	160	156	153	144	141	130	121	106	74	-	-	-	-	-	-	
	EVMS(.)10 11/7.5	7.5	10	132	2.5	176	171	169	159	155	143	134	116	81.5	-	-	-	-	-	-	
	EVMS(.)10 12/7.5	7.5	10	132	2.5	192	187	184	173	170	156	146	127	89	-	-	-	-	-	-	
	EVMS(.)10 14/11	11	15	160	2.5	224	218	215	202	198	182	170	148	104	-	-	-	-	-	-	
EVMS(.)10 15/11	11	15	160	2.5	240	233	230	216	219	195	182	158	111	-	-	-	-	-	-		
EVMS(.)10 16/11	11	15	160	2.5	256	249	245	231	226	208	194	169	118	-	-	-	-	-	-		
15	EVMS(.)15 1/1.5	1.5	2	90	1.6	21.7	-	-	-	19.1	18.4	18.0	17.4	15.8	14.2	12.1	9.9	-	-		
	EVMS(.)15 2/3.0	3.0	4	100	1.6	43.6	-	-	-	40	39.1	38.6	37.9	36.5	34.7	31.7	28.2	-	-		
	EVMS(.)15 3/5.5	5.5	7.5	132	1.6	65.4	-	-	-	60	58.5	58	57	54.5	52	47.5	42.5	-	-		
	EVMS(.)15 4/7.5	7.5	10	132	1.6	87	-	-	-	80.5	78.5	78	76	73	69	63.5	56.5	-	-		
	EVMS(.)15 5/7.5	7.5	10	132	1.6	109	-	-	-	100	98	96.5	95	91	86.5	79.5	70.5	-	-		
	EVMS(.)15 6/11	11	15	160	1.6	131	-	-	-	120	117	116	114	109	104	95.5	84.5	-	-		
	EVMS(.)15 7/11	11	15	160	1.6	153	-	-	-	141	137	135	133	128	121	111	99	-	-		
	EVMS(.)15 8/15	15	20	160	2.5	174	-	-	-	161	157	154	152	146	138	127	113	-	-		
	EVMS(.)15 9/15	15	20	160	2.5	196	-	-	-	181	176	174	171	164	156	143	127	-	-		
	EVMS(.)15 10/15	15	20	160	2.5	218	-	-	-	201	196	193	190	182	173	159	141	-	-		
EVMS(.)15 11/18.5	18.5	25	160	2.5	240	-	-	-	221	215	212	208	201	190	175	155	-	-			
EVMS(.)15 12/18.5	18.5	25	160	2.5	262	-	-	-	241	235	232	227	219	208	190	169	-	-			
20	EVMS(.)20 1/2.2	2.2	3	90	1.6	25	-	-	-	-	-	20.7	20.0	18.7	16.9	14.9	13.1	9.5	4.3		
	EVMS(.)20 2/4.0	4.0	5.5	112	1.6	49.5	-	-	-	-	-	44.5	44	42.5	41	39.4	37.5	32.8	24.9		
	EVMS(.)20 3/7.5	7.5	10	132	1.6	74	-	-	-	-	-	67	65.5	64	61.5	59	56	49	37.3		
	EVMS(.)20 4/7.5	7.5	10	132	1.6	99	-	-	-	-	-	89.5	87.5	85	82	79	75	65.5	49.8		
	EVMS(.)20 5/11	11	15	160	1.6	124	-	-	-	-	-	112	110	106	103	98.5	93.5	82	62		
	EVMS(.)20 6/11	11	15	160	1.6	148	-	-	-	-	-	134	131	128	123	118	112	98.5	75		
	EVMS(.)20 7/15	15	20	160	2.5	173	-	-	-	-	-	156	153	149	144	138	131	115	87		
	EVMS(.)20 8/15	15	20	160	2.5	198	-	-	-	-	-	179	175	170	164	158	150	131	99.5		
	EVMS(.)20 9/18.5	18.5	25	160	2.5	223	-	-	-	-	-	201	197	191	185	177	169	148	112		
EVMS(.)20 10/18.5	18.5	25	160	2.5	247	-	-	-	-	-	223	219	213	206	197	187	164	124			

1.6 MPa=16 bar; 2.5 MPa=25 bar

SELECTION CHART
EVMS(.)32-45

SELECTION CHART

Pump Type Three phase	Motor			Maximum working pressure (MPa)	Q=Capacity											
	kW	HP	Size		l/min	0	300	450	600	700	800	950	1100	1200		
					m³/h	0	18	27	36	42	48	57	66	72		
H=Total manometric head in meters																
32	EVMS(.)32 1-1/3.0	3.0	4	100	1.6	25	20.7	18.9	16	13	9.7	-	-	-		
	EVMS(.)32 1-0/3.0	3.0	4	100	1.6	29.5	26.6	23.4	19.7	17	13.6	-	-	-		
	EVMS(.)32 2-2/5.5	5.5	7.5	132	1.6	50.5	43.5	39.9	34.3	29	22.5	-	-	-		
	EVMS(.)32 2-1/5.5	5.5	7.5	132	1.6	58	50.5	44.5	37.5	32.1	25.6	-	-	-		
	EVMS(.)32 2-0/7.5	7.5	10	132	1.6	63	56.5	49.5	42	36.3	29.6	-	-	-		
	EVMS(.)32 3-2/11	11	15	160	1.6	83	73	65	56	48	38.5	-	-	-		
	EVMS(.)32 3-0/11	11	15	160	1.6	92	84	74.5	63	55.5	45.5	-	-	-		
	EVMS(.)32 4-2/11	11	15	160	1.6	115	101	90	77.5	67	55	-	-	-		
	EVMS(.)32 4-0/15	15	20	160	1.6	122	112	100	85.5	74.5	61.5	-	-	-		
	EVMS(.)32 5-2/15	15	20	160	1.6	146	129	114	98	85	69	-	-	-		
	EVMS(.)32 5-0/15	15	20	160	1.6	153	139	124	107	94.5	79	-	-	-		
	EVMS(.)32 6-2/18.5	18.5	25	160	2.5	174	156	140	122	105	88	-	-	-		
	EVMS(.)32 6-0/18.5	18.5	25	160	2.5	185	169	148	127	111	93	-	-	-		
	EVMS(.)32 7-2/22	22	30	180	2.5	212	191	170	146	128	106	-	-	-		
	EVMS(.)32 7-0/22	22	30	180	2.5	222	204	179	154	136	114	-	-	-		
	EVMS(.)32 8-2/22	22	30	180	2.5	240	220	197	171	151	127	-	-	-		
	EVMS(.)32 8-0/30	30	40	200	3.0	249	224	200	174	153	132	-	-	-		
EVMS(.)32 9-2/30	30	40	200	3.0	276	252	221	191	167	140	-	-	-			
EVMS(.)32 9-0/30	30	40	200	3.0	281	252	225	196	172	148	-	-	-			
EVMS(.)32 10-0/30	30	40	200	3.0	312	280	251	218	192	165	-	-	-			
45	EVMS(.)45 1-1/5.5	5.5	7.5	132	1.6	36.2	-	27.6	26.9	26	24.1	20.5	15.8	11.8		
	EVMS(.)45 1-0/7.5	7.5	10	132	1.6	41	-	36.1	33.5	32.4	30.8	27.7	23.9	20.7		
	EVMS(.)45 2-2/11	11	15	160	1.6	70.5	-	55.5	53.5	52	48	40.5	31.8	24.5		
	EVMS(.)45 2-1/11	11	15	160	1.6	75	-	63	60.5	59	55	48.5	39.9	34		
	EVMS(.)45 2-0/15	15	20	160	1.6	79.5	-	71	67.5	65.5	62	56	48.5	43		
	EVMS(.)45 3-2/15	15	20	160	1.6	108	-	91	87.5	84.5	80	70	57	46		
	EVMS(.)45 3-1/18.5	18.5	25	160	1.6	111	-	98	94.5	92	86.5	77	65	55.5		
	EVMS(.)45 3-0/18.5	18.5	25	160	1.6	112	-	105	101	99	95.5	87	75.5	65		
	EVMS(.)45 4-2/22	22	30	180	1.6	148	-	130	124	122	115	102	86.5	72		
	EVMS(.)45 4-1/30	30	40	200	1.6	153	-	137	132	128	122	110	95	81.5		
	EVMS(.)45 4-0/30	30	40	200	1.6	153	-	142	138	135	130	119	103	91		
	EVMS(.)45 5-2/30	30	40	200	2.5	188	-	165	159	155	148	132	112	95		
	EVMS(.)45 5-1/30	30	40	200	2.5	193	-	173	167	162	155	140	120	104		
	EVMS(.)45 5-0/37	37	50	200	2.5	191	-	177	173	169	163	149	129	113		
	EVMS(.)45 6-2/37	37	50	200	2.5	227	-	202	194	189	181	163	138	117		
	EVMS(.)45 6-1/37	37	50	200	2.5	230	-	209	201	197	189	171	148	129		
	EVMS(.)45 6-0/37	37	50	200	2.5	232	-	215	207	203	196	178	155	137		
EVMS(.)45 7-2/45	45	60	225	3.5	264	-	234	228	222	213	191	162	139			
EVMS(.)45 7-1/45	45	60	225	3.5	268	-	242	235	229	220	199	170	148			
EVMS(.)45 7-0/45	45	60	225	3.5	268	-	249	241	236	228	208	182	160			

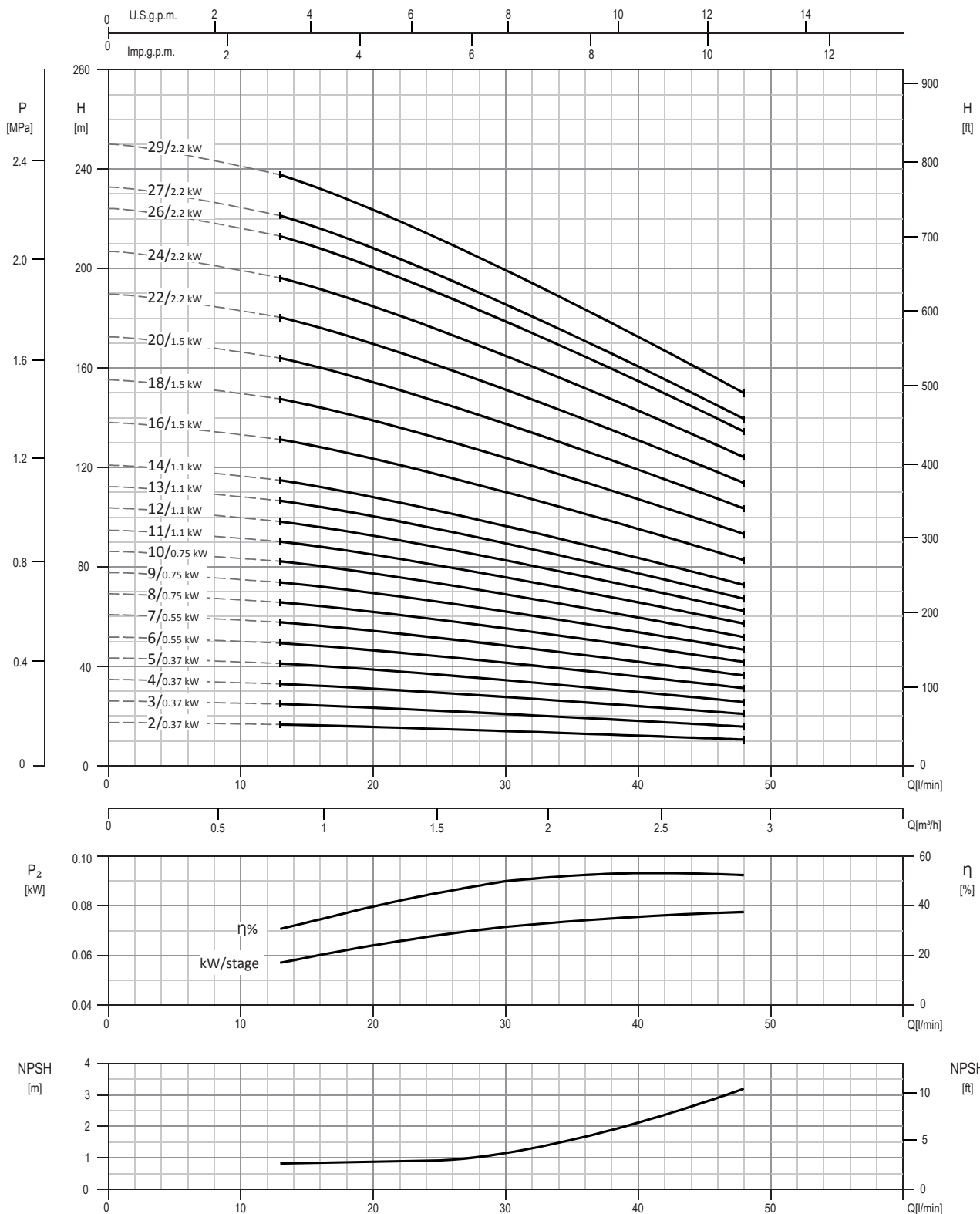
1.6 MPa=16 bar; 2.5 MPa=25 bar; 3.0 MPa=30 bar; 3.5 MPa=35 bar

SELECTION CHART EVMS(.)64-90

Pump Type	Motor			Maximum working pressure (MPa)	Q=Capacity											
	kW	HP	Size		l/min	0	600	850	1100	1200	1500	1700	1800	2000	2100	2300
					m ³ /h	0	36	51	66	72	90	102	108	120	126	138
H=Total manometric head in meters																
64	EVMS(.)64 1-1/7.5	7.5	10	132	1.6	30,8	26,9	26,4	23	20,8	14,2	7,5	-	-	-	-
	EVMS(.)64 1-0/11	11	15	160	1.6	48,5	41,5	37,7	33,4	32,9	26,1	20,4	-	-	-	-
	EVMS(.)64 2-2/15	15	20	160	1.6	61	55,5	54,5	47,5	44	32	22,1	-	-	-	-
	EVMS(.)64 2-1/18.5	18.5	25	160	1.6	76,5	67,5	64	57	54	41,5	33,8	-	-	-	-
	EVMS(.)64 2-0/18.5	18.5	25	160	1.6	93,5	80	75	67	64	52	43	-	-	-	-
	EVMS(.)64 3-2/22	22	30	180	1.6	107	96	90	81,5	77,5	59,5	45,5	-	-	-	-
	EVMS(.)64 3-1/30	30	40	200	1.6	123	111	102	94,5	89,5	71,5	57,5	-	-	-	-
	EVMS(.)64 3-0/30	30	40	200	1.6	141	123	116	105	100	82	67,5	-	-	-	-
	EVMS(.)64 4-2/37	37	50	200	2.5	153	136	130	119	114	90	71,5	-	-	-	-
	EVMS(.)64 4-1/37	37	50	200	2.5	169	148	137	129	123	100	80,5	-	-	-	-
	EVMS(.)64 4-0/37	37	50	200	2.5	187	164	154	144	137	112	89,5	-	-	-	-
	EVMS(.)64 5-2/45	45	60	225	2.5	203	180	172	157	148	119	96,5	-	-	-	-
	EVMS(.)64 5-1/45	45	60	225	2.5	220	193	182	167	157	129	104	-	-	-	-
	EVMS(.)64 5-0/45	45	60	225	2.5	236	204	193	177	168	140	115	-	-	-	-
90	EVMS(.)90 1-1/11	11	15	160	1.6	38.4	-	30.7	29.2	28.5	25.7	22.7	21	17.2	15.2	9.9
	EVMS(.)90 1-0/15	15	20	160	1.6	50.5	-	41	37.5	35.9	32.2	30	28.5	25.3	23.7	14.5
	EVMS(.)90 2-2/18.5	18.5	25	160	1.6	77	-	61.5	58.5	57	51.5	45.5	42	34.3	30.4	19.9
	EVMS(.)90 2-1/22	22	30	180	1.6	91.5	-	73.5	69	66.5	60	55	51.5	44.5	41	29.3
	EVMS(.)90 2-0/30	30	40	200	1.6	99.5	-	85.5	80.5	78.5	72	67	64.5	59	55.5	48.5
	EVMS(.)90 3-2/37	37	50	200	1.6	123	-	106	101	100	92	84	80	72	66.5	55.5
	EVMS(.)90 3-1/37	37	50	200	1.6	139	-	117	110	108	98.5	91	86.5	77	71.5	62.5
	EVMS(.)90 3-0/37	37	50	200	1.6	149	-	128	121	118	108	100	97	88.5	83.5	73
EVMS(.)90 4-2/45	45	60	225	2.5	173	-	149	142	139	127	117	112	101	94.5	80	

1.6 MPa=16 bar; 2.5 MPa=25 bar

PERFORMANCE CURVE
EVMS(L)1

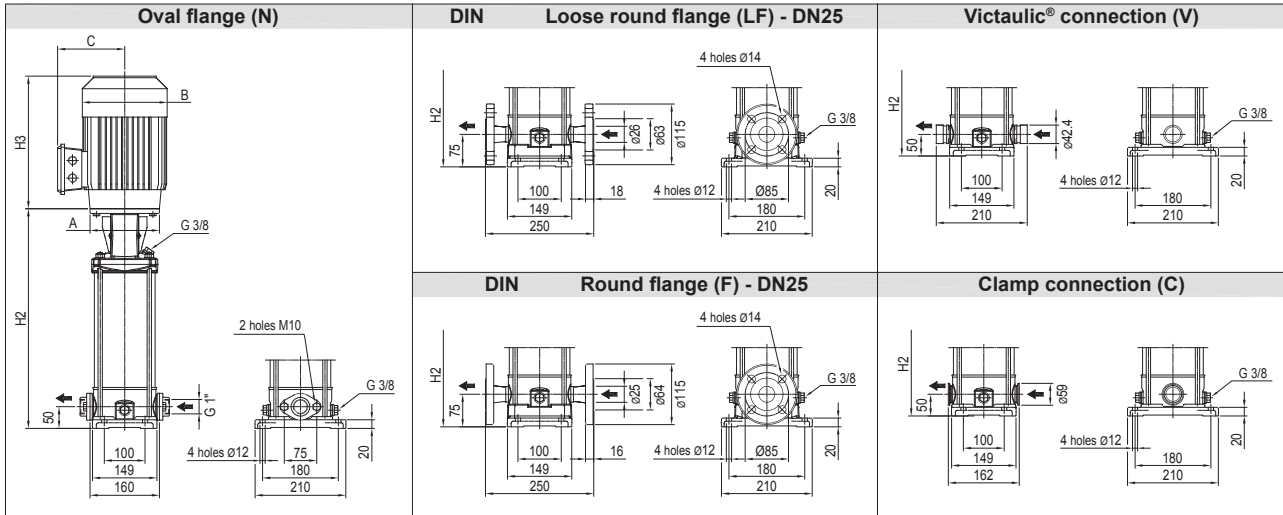


Test standard: ISO 9906:2012 - Grade 3B

EVMS(L)1

TECHNICAL DATA EVMS(L)1

Dimensional sketch

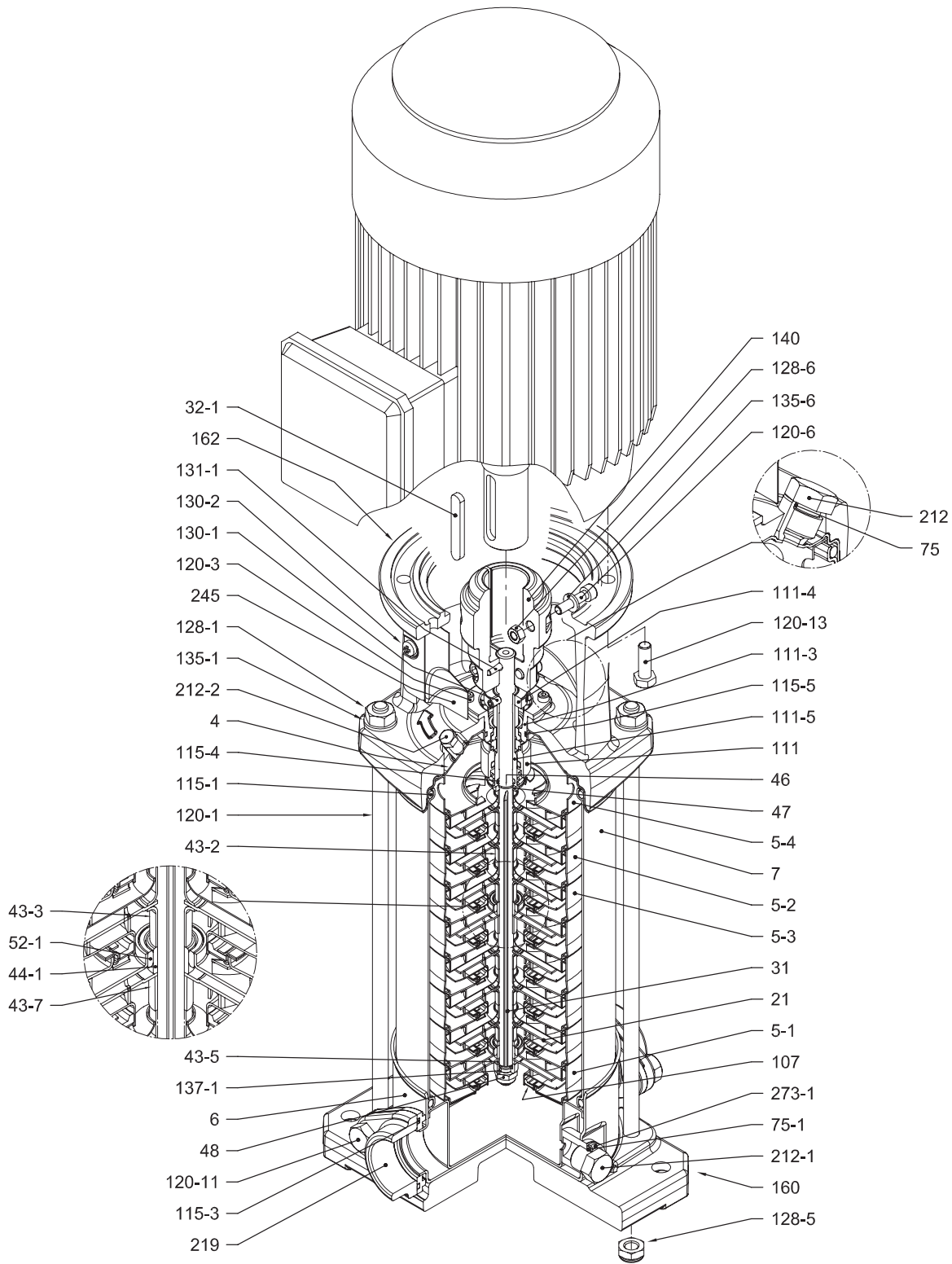


Dimensions [mm] and Weights [Kg]

Pump Type	Pmax [MPa]	Motor					Oval flange (N)				Loose round flange (LF) Round flange (F)				Victaulic® connection (V) Clamp connection (C)			
		kW	Size	A Ø	3 ~ B C		H2	H2+H3	Weight Pump	Weight Pump + Motor	H2	H2+H3	Weight Pump	Weight Pump + Motor	H2	H2+H3	Weight Pump	Weight Pump + Motor
EVMS(L)1 2/0.37	1.6	0.37	71	105	141	119	250	452	10	16.5	275	477	10.7	17.2	250	452	10	16.5
EVMS(L)1 3/0.37	1.6	0.37	71	105	141	119	271	473	10.5	17.0	296	498	11.2	17.7	271	473	10.4	16.9
EVMS(L)1 4/0.37	1.6	0.37	71	105	141	119	292	494	10.9	17.4	317	519	11.6	18.1	292	494	10.8	17.3
EVMS(L)1 5/0.37	1.6	0.37	71	105	141	119	313	515	11.4	17.9	338	540	12	18.5	313	515	11.3	17.8
EVMS(L)1 6/0.55	1.6	0.55	71	105	141	119	334	536	11.8	18.8	359	561	12.4	19.4	334	536	11.7	18.7
EVMS(L)1 7/0.55	1.6	0.55	71	105	141	119	355	557	12.5	19.5	380	582	13.1	20.1	355	557	12.4	19.4
EVMS(L)1 8/0.75	1.6	0.75	80	120	141	102	386	619	12.9	21.4	411	644	13.6	22.1	386	619	12.8	21.3
EVMS(L)1 9/0.75	1.6	0.75	80	120	141	102	407	640	13.3	21.8	432	665	14	22.5	407	640	13.3	21.8
EVMS(L)1 10/0.75	1.6	0.75	80	120	141	102	428	661	13.8	22.3	453	686	14.4	22.9	428	661	13.7	22.2
EVMS(L)1 11/1.1	1.6	1.1	80	120	141	102	449	693	14.2	24.2	474	718	14.9	24.9	449	693	14.1	24.1
EVMS(L)1 12/1.1	1.6	1.1	80	120	141	102	470	714	14.6	24.6	495	739	15.3	25.3	470	714	14.6	24.6
EVMS(L)1 13/1.1	1.6	1.1	80	120	141	102	491	735	15.3	25.3	516	760	16	26.0	491	735	15.3	25.3
EVMS(L)1 14/1.1	1.6	1.1	80	120	141	102	512	756	15.7	25.7	537	781	16.4	26.4	512	756	15.7	25.7
EVMS(L)1 16/1.5	1.6	1.5	90	140	160	119	564	855	16.7	30.2	589	880	17.4	30.9	564	855	16.7	30.2
EVMS(L)1 18/1.5	1.6	1.5	90	140	160	119	606	897	17.6	31.1	631	922	18.3	31.8	606	897	17.6	31.1
EVMS(L)1 20/1.5	2.5	1.5	90	140	160	119	-	-	-	-	673	964	19.2	32.7	648	939	18.5	32.0
EVMS(L)1 22/2.2	2.5	2.2	90	140	160	119	-	-	-	-	715	1006	20.6	35.6	690	981	19.9	34.9
EVMS(L)1 24/2.2	2.5	2.2	90	140	160	119	-	-	-	-	757	1048	21.6	36.6	732	1023	20.9	35.9
EVMS(L)1 26/2.2	2.5	2.2	90	140	160	119	-	-	-	-	799	1090	22.5	37.5	774	1065	21.8	36.8
EVMS(L)1 27/2.2	2.5	2.2	90	140	160	119	-	-	-	-	820	1111	23	38.0	795	1086	22.3	37.3
EVMS(L)1 29/2.2	2.5	2.2	90	140	160	119	-	-	-	-	862	1153	23.9	38.9	837	1128	23.2	38.2

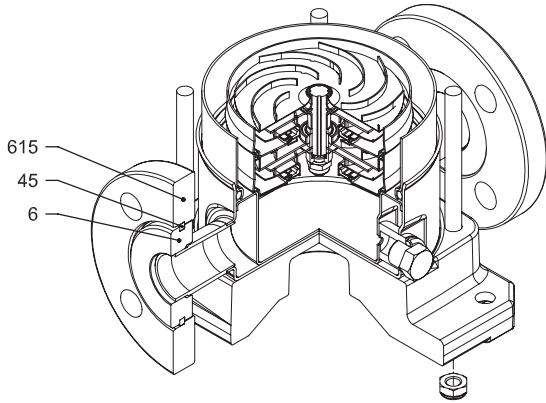
1.6 MPa=16 bar; 2.5 MPa=25 bar
- not available model

SECTIONAL VIEW
EVMS(L)1

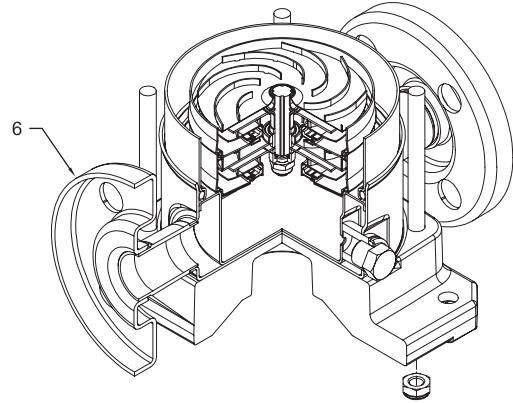


with Oval flange (N)

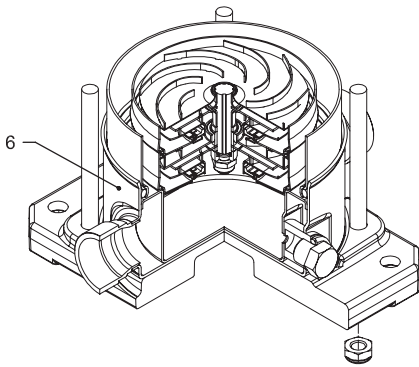
PIPE CONNECTION EVMS(L)1



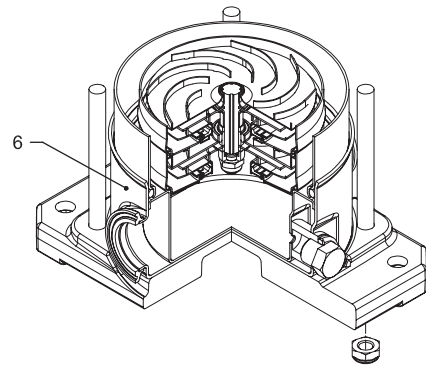
with Loose round flange (LF)



with Round flange (F)



with Victaulic® connection (V)



with Clamp connection (C)

SECTIONAL TABLE
EVMS(L)1

N°	PART NAME	MATERIAL		DIMENSIONS	STANDARD
		EVMS	EVMSL		
4	Casing cover	EN 1.4301 (AISI 304)	EN 1.4404 (AISI 316L)		
5-1	Suction casing	EN 1.4301 (AISI 304)	EN 1.4404 (AISI 316L)		
5-2	Intermediate casing	EN 1.4301 (AISI 304)	EN 1.4404 (AISI 316L)		
5-3	Intermediate casing with bearing	EN 1.4301 (AISI 304)	EN 1.4404 (AISI 316L)		
5-4	Discharge casing	EN 1.4301 (AISI 304)	EN 1.4404 (AISI 316L)		
6	Bottom casing	EN 1.4301 (AISI 304)	EN 1.4404 (AISI 316L)		
7	Outer casing	EN 1.4301 (AISI 304)	EN 1.4404 (AISI 316L)		
21	Impeller	EN 1.4301 (AISI 304)	EN 1.4404 (AISI 316L)		
31	Shaft	EN 1.4301 (AISI 304)	EN 1.4404 (AISI 316L)		
32-1	Adjuster key	EN 1.4301 (AISI 304)			
43-2	Shaft sleeve (intermediate)	EN 1.4301 (AISI 304)	EN 1.4404 (AISI 316L)		
43-3	Shaft sleeve (bearing)	EN 1.4301 (AISI 304)	EN 1.4404 (AISI 316L)		
43-5	Shaft sleeve (last stage)	EN 1.4301 (AISI 304)	EN 1.4404 (AISI 316L)		
43-7	Spacer	EN 1.4301 (AISI 304)	EN 1.4404 (AISI 316L)		
44-1	Shaft sleeve bearing	Tungsten carbide			
45	Flange holder	EN 1.4301 (AISI 304)			
46	Ring (mechanical seal)	EN 1.4404 (AISI 316L)			
47	Ring holder	EN 1.4301 (AISI 304)	EN 1.4404 (AISI 316L)		
48	Impeller nut	EN 1.4301 (AISI 304) with inox insert	EN 1.4401 (AISI 316) with inox insert	M8	
52-1	Sleeve bearing	Tungsten carbide			
75	O-Ring (priming plug)	EPDM / FPM		Ø12.37x2.62	OR 3050
75-1	O-Ring (drainage plug)	EPDM / FPM			
107	Liner ring	EN 1.4301 (AISI 304) + PPS	EN 1.4404 (AISI 316L) + PPS		
111	Mechanical seal	see pages 6-7			
111-3	Mechanical seal seat	EN 1.4308 (ASTM CF8)	EN 1.4408 (ASTM CF8M)		
111-4	Seal holder	EN 1.4301 (AISI 304)			
111-5	Mechanical seal cartridge sleeve	EN 1.4301 (AISI 304)	EN 1.4404 (AISI 316L)		
115-1	O-Ring (outer casing)	EPDM / FPM		Ø129.54x5.34	OR 6945
115-3	O-Ring	EPDM / FPM			
115-4	O-Ring (cartridge sleeve)	EPDM / FPM		Ø11.91x2.62	OR 4093
115-5	O-Ring (seal flange)	EPDM / FPM		Ø32.99x2.62	OR 4175
120-1	Tie-rod	EN 1.4057 (AISI 431)		M10	
120-3	Screw (seal flange)	A2-70		M4x10	ISO 4762
120-6	Screw (pump coupling)	Galvanized steel		M6x25	ISO 4762
120-11	Screw (counterflange)	A2-70			
120-13	Screw for motor	MEC 71-80 MEC 90	Galvanized steel 8.8 strength class ISO 898/1	M6x20 M8x20	ISO 4017 ISO 4017
128-1	Nut (tie rod)	A2-70		M10	ISO 4032
128-5	Nut (tie rod)	A2-70		M10	UNI 7474
128-6	Nut (aluminium coupling)	MEC 71-80-90	Galvanized steel	M6	ISO 4032
130-1	Set screw	EN 1.4301 (AISI 304)		M5x8	ISO 4026
130-2	Screw for coupling guard	A2-70		M5x6	UNI 7687
131-1	Pin for shaft	Carbon Steel		Ø4x32	ISO 2338
135-1	Washer (tie rod)	EN 1.4301 (AISI 304)		Ø10.5x21x2	ISO 7089
135-6	Washer (aluminium coupling)	up to 4.0 kW	Carbon Steel	Ø6	
137-1	Impeller spacer	EN 1.4301 (AISI 304)	EN 1.4404 (AISI 316L)		
140	Coupling	up to 4.0 kW	Die cast Aluminium EN AB-AISI11Cu2 (Fe)		
160	Base		Die cast Aluminium EN AB-AISI11Cu2 (Fe)		
162	Motor bracket		Cast iron EN-GJL-250		
212	Priming plug	EN 1.4301 (AISI 304)	EN 1.4404 (AISI 316L)	G 3/8	
212-1	Drainage plug	EN 1.4301 (AISI 304)	EN 1.4404 (AISI 316L)	G 3/8	
212-2	Venting plug	EN 1.4404 (AISI 316L)			
219	Counter flange	flange type: N flange type: LF-F-V-C	EN 1.4308 (ASTM CF8) EN 1.4301 (AISI 304)	EN 1.4408 (ASTM CF8M) EN 1.4404 (AISI 316L)	
245	Coupling guard	EN 1.4301 (AISI 304)			
273-1	Washer (drainage plug)	EN 1.4301 (AISI 304)	EN 1.4404 (AISI 316L)		
615	Flange	Nodular Cast Iron			

QUANTITY FOR MODEL EVMS(L)1

EVMS(L)1

Pump Type	N°																														
	4	5-1	52	53	54	6	7	21	31	32-1	43-2	43-3	43-5	43-7	44-1	45*	46	47	48	52-1	75	75-1	107	111	111-3	111-4	111-5	115-1	115-3*	115-4	115-5
EVMS(L)1 2/0.37	1	1	/	1	1	1	1	2	1	1	1	1	/	/	1	4	2	1	1	1	1	2	2	1	1	1	1	2	2	1	1
EVMS(L)1 3/0.37	1	1	1	1	1	1	1	3	1	1	3	1	/	/	1	4	2	1	1	1	1	2	3	1	1	1	1	2	2	1	1
EVMS(L)1 4/0.37	1	1	2	1	1	1	1	4	1	1	5	1	/	/	1	4	2	1	1	1	1	2	4	1	1	1	1	2	2	1	1
EVMS(L)1 5/0.37	1	1	3	1	1	1	1	5	1	1	7	1	1	/	1	4	2	1	1	1	1	2	5	1	1	1	1	2	2	1	1
EVMS(L)1 6/0.55	1	1	4	1	1	1	1	6	1	1	9	1	/	/	1	4	2	1	1	1	1	2	6	1	1	1	1	2	2	1	1
EVMS(L)1 7/0.55	1	1	5	1	1	1	1	7	1	1	11	1	/	/	1	4	2	1	1	1	1	2	7	1	1	1	1	2	2	1	1
EVMS(L)1 8/0.75	1	1	6	1	1	1	1	8	1	1	13	1	/	/	1	4	2	1	1	1	1	2	8	1	1	1	1	2	2	1	1
EVMS(L)1 9/0.75	1	1	7	1	1	1	1	9	1	1	15	1	1	/	1	4	2	1	1	1	1	2	9	1	1	1	1	2	2	1	1
EVMS(L)1 10/0.75	1	1	8	1	1	1	1	10	1	1	17	1	/	/	1	4	2	1	1	1	1	2	10	1	1	1	1	2	2	1	1
EVMS(L)1 11/1.1	1	1	9	1	1	1	1	11	1	1	19	1	/	/	1	4	2	1	1	1	1	2	11	1	1	1	1	2	2	1	1
EVMS(L)1 12/1.1	1	1	10	1	1	1	1	12	1	1	21	1	/	/	1	4	2	1	1	1	1	2	12	1	1	1	1	2	2	1	1
EVMS(L)1 13/1.1	1	1	10	2	1	1	1	13	1	1	20	2	1	1	2	4	2	1	1	2	1	2	13	1	1	1	1	2	2	1	1
EVMS(L)1 14/1.1	1	1	11	2	1	1	1	14	1	1	22	2	/	1	2	4	2	1	1	2	1	2	14	1	1	1	1	2	2	1	1
EVMS(L)1 16/1.5	1	1	13	2	1	1	1	16	1	1	26	2	/	1	2	4	2	1	1	2	1	2	16	1	1	1	1	2	2	1	1
EVMS(L)1 18/1.5	1	1	15	2	1	1	1	18	1	1	30	2	/	1	2	4	2	1	1	2	1	2	18	1	1	1	1	2	2	1	1
EVMS(L)1 20/1.5	1	1	17	2	1	1	1	20	1	1	34	2	/	1	2	4	2	1	1	2	1	2	20	1	1	1	1	2	/	1	1
EVMS(L)1 22/2.2	1	1	19	2	1	1	1	22	1	1	38	2	/	1	2	4	2	1	1	2	1	2	22	1	1	1	1	2	/	1	1
EVMS(L)1 24/2.2	1	1	21	2	1	1	1	24	1	1	42	2	/	1	2	4	2	1	1	2	1	2	24	1	1	1	1	2	/	1	1
EVMS(L)1 26/2.2	1	1	23	2	1	1	1	26	1	1	46	2	/	1	2	4	2	1	1	2	1	2	26	1	1	1	1	2	/	1	1
EVMS(L)1 27/2.2	1	1	24	2	1	1	1	27	1	1	48	2	/	1	2	4	2	1	1	2	1	2	27	1	1	1	1	2	/	1	1
EVMS(L)1 29/2.2	1	1	26	2	1	1	1	29	1	1	52	2	/	1	2	4	2	1	1	2	1	2	29	1	1	1	1	2	/	1	1

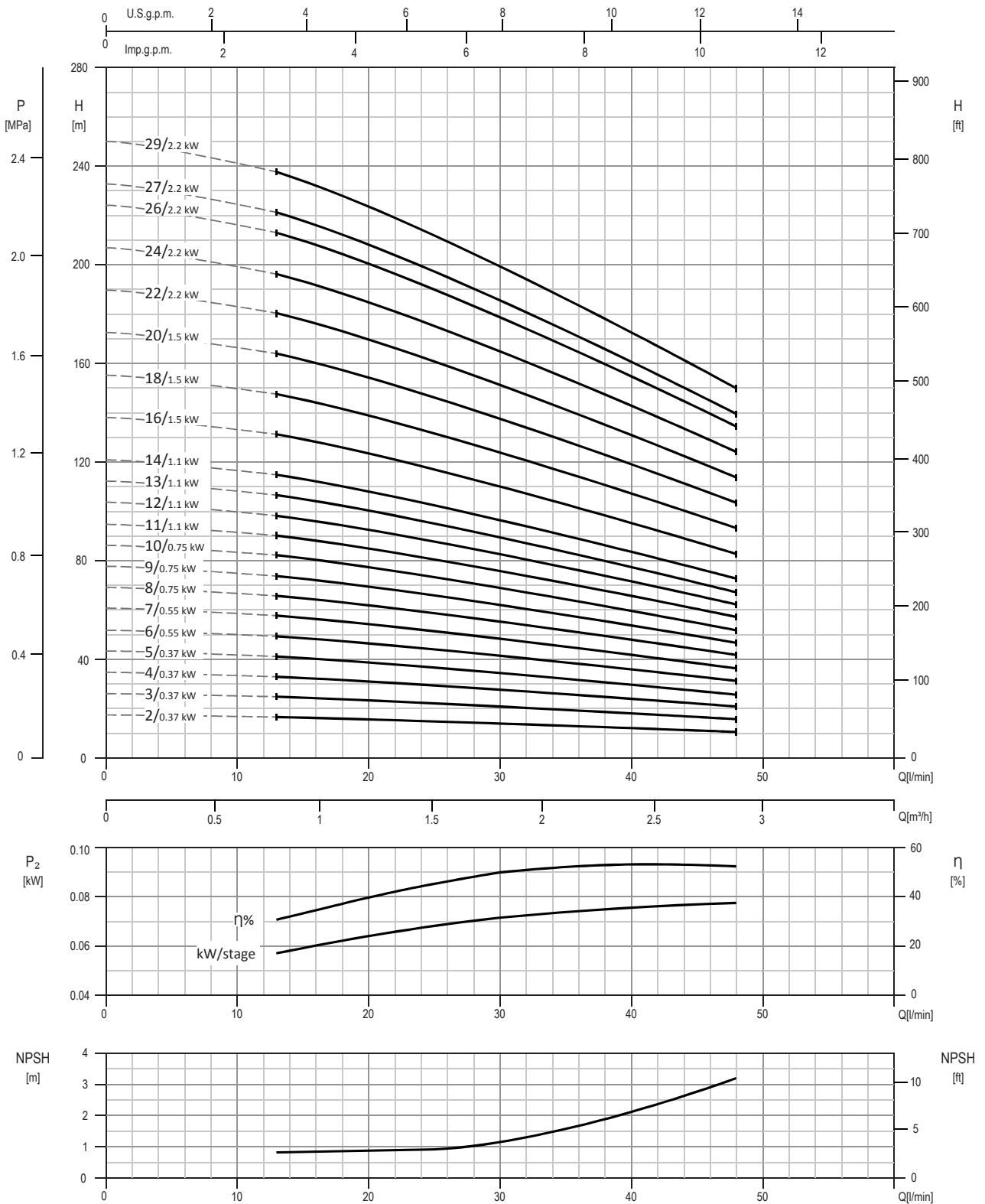
Pump Type	N°																							
	120-1	120-3	120-6	120-11*	120-13	128-1	128-5	128-6	130-1	130-2	131-1	135-1	135-6	137-1	140	160	162	212	212-1	212-2	219*	245	273-1	615**
EVMS(L)1 2/0.37	4	4	4	4	4	4	4	4	3	4	1	4	4	1	2	1	1	1	2	1	2	2	2	2
EVMS(L)1 3/0.37	4	4	4	4	4	4	4	4	3	4	1	4	4	1	2	1	1	1	2	1	2	2	2	2
EVMS(L)1 4/0.37	4	4	4	4	4	4	4	4	3	4	1	4	4	1	2	1	1	1	2	1	2	2	2	2
EVMS(L)1 5/0.37	4	4	4	4	4	4	4	4	3	4	1	4	4	1	2	1	1	1	2	1	2	2	2	2
EVMS(L)1 6/0.55	4	4	4	4	4	4	4	4	3	4	1	4	4	1	2	1	1	1	2	1	2	2	2	2
EVMS(L)1 7/0.55	4	4	4	4	4	4	4	4	3	4	1	4	4	1	2	1	1	1	2	1	2	2	2	2
EVMS(L)1 8/0.75	4	4	4	4	4	4	4	4	3	4	1	4	4	1	2	1	1	1	2	1	2	2	2	2
EVMS(L)1 9/0.75	4	4	4	4	4	4	4	4	3	4	1	4	4	1	2	1	1	1	2	1	2	2	2	2
EVMS(L)1 10/0.75	4	4	4	4	4	4	4	4	3	4	1	4	4	1	2	1	1	1	2	1	2	2	2	2
EVMS(L)1 11/1.1	4	4	4	4	4	4	4	4	3	4	1	4	4	1	2	1	1	1	2	1	2	2	2	2
EVMS(L)1 12/1.1	4	4	4	4	4	4	4	4	3	4	1	4	4	1	2	1	1	1	2	1	2	2	2	2
EVMS(L)1 13/1.1	4	4	4	4	4	4	4	4	3	4	1	4	4	1	2	1	1	1	2	1	2	2	2	2
EVMS(L)1 14/1.1	4	4	4	4	4	4	4	4	3	4	1	4	4	1	2	1	1	1	2	1	2	2	2	2
EVMS(L)1 16/1.5	4	4	4	4	4	4	4	4	3	4	1	4	4	1	2	1	1	1	2	1	2	2	2	2
EVMS(L)1 18/1.5	4	4	4	4	4	4	4	4	3	4	1	4	4	1	2	1	1	1	2	1	2	2	2	2
EVMS(L)1 20/1.5	4	4	4	/	4	4	4	4	3	4	1	4	4	1	2	1	1	1	2	1	/	2	2	2
EVMS(L)1 22/2.2	4	4	4	/	4	4	4	4	3	4	1	4	4	1	2	1	1	1	2	1	/	2	2	2
EVMS(L)1 24/2.2	4	4	4	/	4	4	4	4	3	4	1	4	4	1	2	1	1	1	2	1	/	2	2	2
EVMS(L)1 26/2.2	4	4	4	/	4	4	4	4	3	4	1	4	4	1	2	1	1	1	2	1	/	2	2	2
EVMS(L)1 27/2.2	4	4	4	/	4	4	4	4	3	4	1	4	4	1	2	1	1	1	2	1	/	2	2	2
EVMS(L)1 29/2.2	4	4	4	/	4	4	4	4	3	4	1	4	4	1	2	1	1	1	2	1	/	2	2	2

* only for Oval flange (N)

** only for Loose round flange (LF)

PERFORMANCE CURVE
EVMSG1

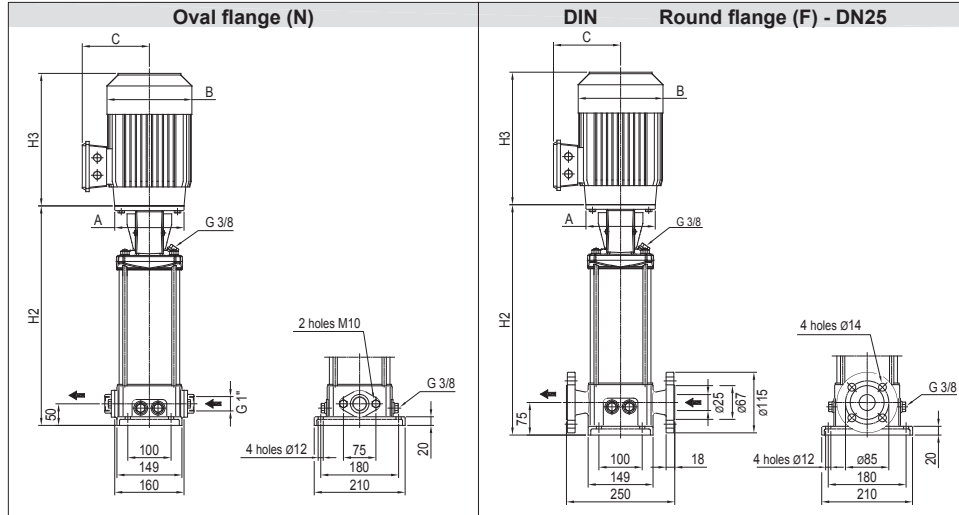
EVMSG1



Test standard: ISO 9906:2012 - Grade 3B

TECHNICAL DATA EVMSG1

Dimensional sketch

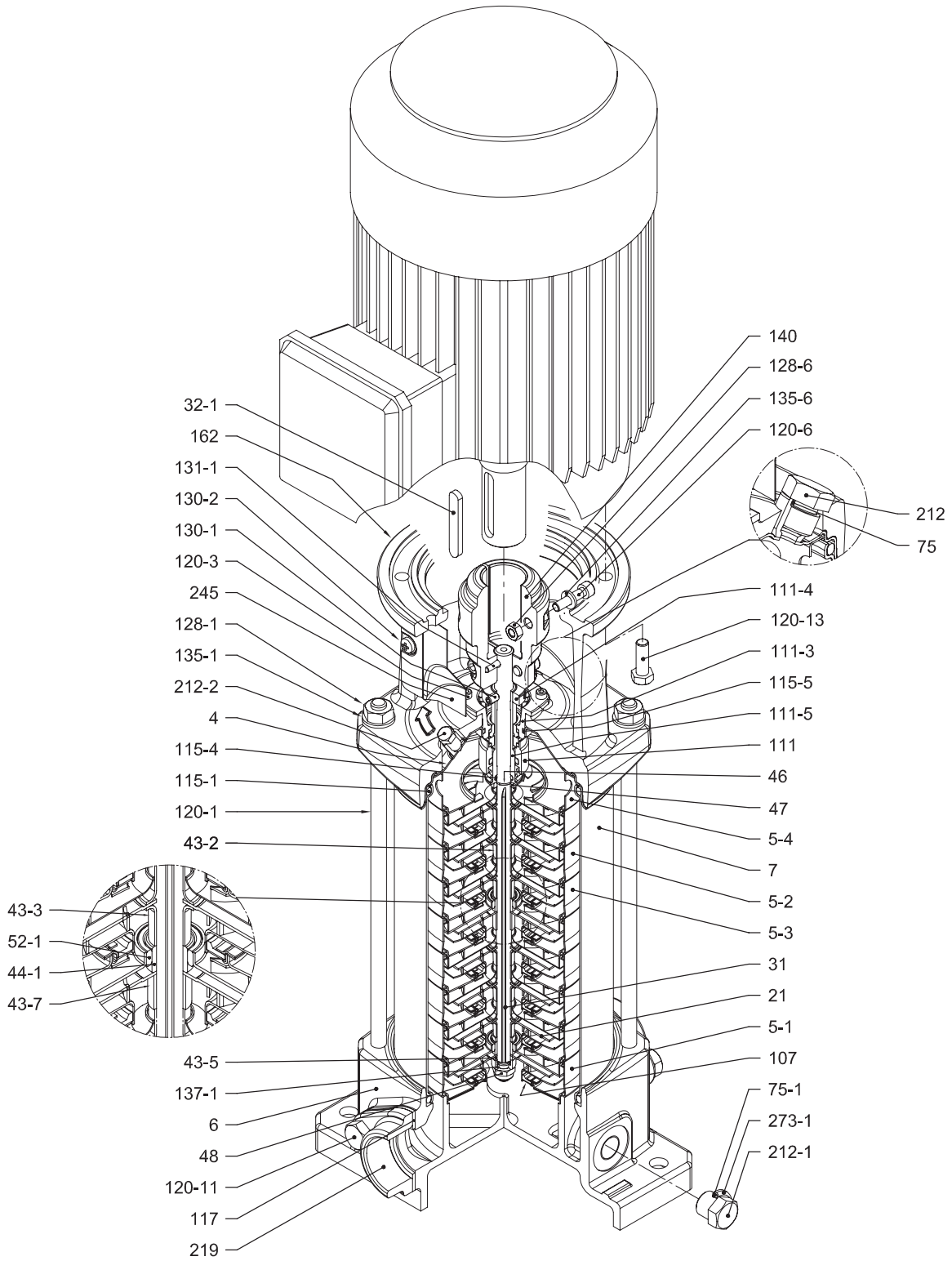


Dimensions [mm] and Weights [Kg]

Pump Type	P _{max} [MPa]	kW	Motor			Oval flange (N)				Round flange (F)			
			Size	A	3 ~ Ø B C	H2	H2+H3	Weight Pump	Weight Pump + Motor	H2	H2+H3	Weight Pump	Weight Pump + Motor
EVMSG1 2/0.37	1.6	0.37	71	105	141 119	250	452	14.3	20.8	275	477	17.7	24.2
EVMSG1 3/0.37	1.6	0.37	71	105	141 119	271	473	14.7	21.2	296	498	18.1	24.6
EVMSG1 4/0.37	1.6	0.37	71	105	141 119	292	494	15.1	21.6	317	519	18.5	25.0
EVMSG1 5/0.37	1.6	0.37	71	105	141 119	313	515	15.6	22.1	338	540	19	25.5
EVMSG1 6/0.55	1.6	0.55	71	105	141 119	334	536	16	23.0	359	561	19.4	26.4
EVMSG1 7/0.55	1.6	0.55	71	105	141 119	355	557	16.7	23.7	380	582	20.1	27.1
EVMSG1 8/0.75	1.6	0.75	80	120	141 102	386	619	17.1	25.6	411	644	20.5	29.0
EVMSG1 9/0.75	1.6	0.75	80	120	141 102	407	640	17.6	26.1	432	665	21	29.5
EVMSG1 10/0.75	1.6	0.75	80	120	141 102	428	661	18	26.5	453	686	21.4	29.9
EVMSG1 11/1.1	1.6	1.1	80	120	141 102	449	693	18.4	28.4	474	718	21.8	31.8
EVMSG1 12/1.1	1.6	1.1	80	120	141 102	470	714	18.9	28.9	495	739	22.3	32.3
EVMSG1 13/1.1	1.6	1.1	80	120	141 102	491	735	19.6	29.6	516	760	23	33.0
EVMSG1 14/1.1	1.6	1.1	80	120	141 102	512	756	20	30.0	537	781	23.4	33.4
EVMSG1 16/1.5	1.6	1.5	90	140	160 119	564	855	21	34.5	589	880	24.4	37.9
EVMSG1 18/1.5	1.6	1.5	90	140	160 119	606	897	21.9	35.4	631	922	25.3	38.8
EVMSG1 20/1.5	2.5	1.5	90	140	160 119	-	-	-	-	673	964	26.2	39.7
EVMSG1 22/2.2	2.5	2.2	90	140	160 119	-	-	-	-	715	1006	27.6	42.6
EVMSG1 24/2.2	2.5	2.2	90	140	160 119	-	-	-	-	757	1048	28.6	43.6
EVMSG1 26/2.2	2.5	2.2	90	140	160 119	-	-	-	-	799	1090	29.5	44.5
EVMSG1 27/2.2	2.5	2.2	90	140	160 119	-	-	-	-	820	1111	30	45.0
EVMSG1 29/2.2	2.5	2.2	90	140	160 119	-	-	-	-	862	1153	30.9	45.9

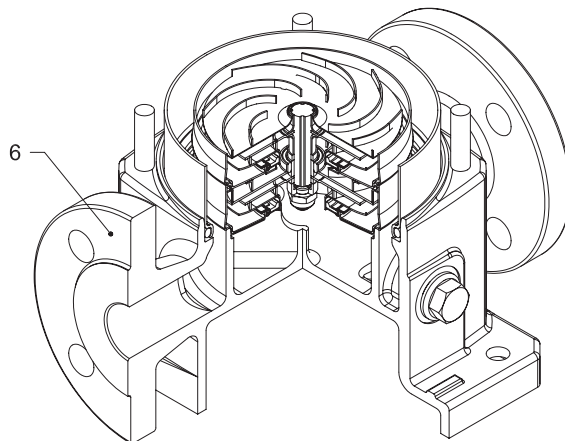
1.6 MPa=16 bar; 2.5 MPa=25 bar
 - not available model

SECTIONAL VIEW
EVMSG1



with Oval flange (N)

PIPE CONNECTION EVMSG1



with Round flange (F)

SECTIONAL TABLE
EVMSG1

N°	PART NAME	MATERIAL EVMSG	DIMENSIONS	STANDARD
4	Casing cover	EN 1.4301 (AISI 304)		
5-1	Suction casing	EN 1.4301 (AISI 304)		
5-2	Intermediate casing	EN 1.4301 (AISI 304)		
5-3	Intermediate casing with bearing	EN 1.4301 (AISI 304)		
5-4	Discharge casing	EN 1.4301 (AISI 304)		
6	Bottom casing	Cast Iron EN G.JL-250		
7	Outer casing	EN 1.4301 (AISI 304)		
21	Impeller	EN 1.4301 (AISI 304)		
31	Shaft	EN 1.4301 (AISI 304)		
32-1	Adjuster key	EN 1.4301 (AISI 304)		
43-2	Shaft sleeve (intermediate)	EN 1.4301 (AISI 304)		
43-3	Shaft sleeve (bearing)	EN 1.4301 (AISI 304)		
43-5	Shaft sleeve (last stage)	EN 1.4301 (AISI 304)		
43-7	Spacer	EN 1.4301 (AISI 304)		
44-1	Shaft sleeve bearing	Tungsten carbide		
46	Ring (mechanical seal)	EN 1.4404 (AISI 316L)		
47	Ring holder	EN 1.4404 (AISI 316L)		
48	Impeller nut	EN 1.4301 (AISI 304) with inox insert	M8	
52-1	Sleeve bearing	Tungsten carbide		
75	O-Ring (priming plug)	EPDM / FPM	Ø12.37x2.62	OR 3050
75-1	O-Ring (drainage plug)	EPDM / FPM		
107	Liner ring	EN 1.4301 (AISI 304) + PPS		
111	Mechanical seal	see pages 6-7		
111-3	Mechanical seal seat	EN 1.4308 (ASTM CF8)		
111-4	Seal holder	EN 1.4301 (AISI 304)		
111-5	Mechanical seal cartridge sleeve	EN 1.4301 (AISI 304)		
115-1	O-Ring (outer casing)	EPDM / FPM	Ø129.54x5.34	OR 6945
115-4	O-Ring (cartridge sleeve)	EPDM / FPM	Ø11.91x2.62	OR 4093
115-5	O-Ring (seal flange)	EPDM / FPM	Ø32.99x2.62	OR 4175
117	Flange gasket	EPDM / FPM		
120-1	Tie-rod	EN 1.4057 (AISI 431)	M10	
120-3	Screw (seal flange)	A2-70	M4x10	ISO 4762
120-6	Screw (pump coupling)	Galvanized steel	M6x25	ISO 4762
120-11	Screw (counterflange)	A2-70		
120-13	Screw for motor	MEC 71-80 MEC 90	Galvanized steel 8.8 strength class ISO 898/1	M6x20 M8x20 ISO 4017 ISO 4017
128-1	Nut (tie rod)	A2-70	M10	ISO 4032
128-6	Nut (aluminium coupling)	MEC 71-80-90	Galvanized steel	M6 ISO 4032
130-1	Set screw	EN 1.4301 (AISI 304)	M5x8	ISO 4026
130-2	Screw for coupling guard	A2-70	M5x6	UNI 7687
131-1	Pin for shaft	Carbon Steel	Ø4x32	ISO 2338
135-1	Washer (tie rod)	EN 1.4301 (AISI 304)	Ø10.5x21x2	ISO 7089
135-6	Washer (aluminium coupling)	up to 4.0 kW	Carbon Steel	Ø6
137-1	Impeller spacer	EN 1.4301 (AISI 304)		
140	Coupling	up to 4.0 kW	Die cast Aluminium EN AB-AISI11Cu2 (Fe)	
162	Motor bracket	Cast iron EN-G.JL-250		
212	Priming plug	EN 1.4301 (AISI 304)	G 3/8	
212-1	Drainage plug	EN 1.4301 (AISI 304)	G 3/8	
212-2	Venting plug	EN 1.4404 (AISI 316L)		
219	Counter flange	flange type: N flange type: F	Galvanized steel Cast Iron EN-G.JL-250	
245	Coupling guard	EN 1.4301 (AISI 304)		
273-1	Washer (drainage plug)	EN 1.4301 (AISI 304)		

QUANTITY FOR MODEL EVMSG1

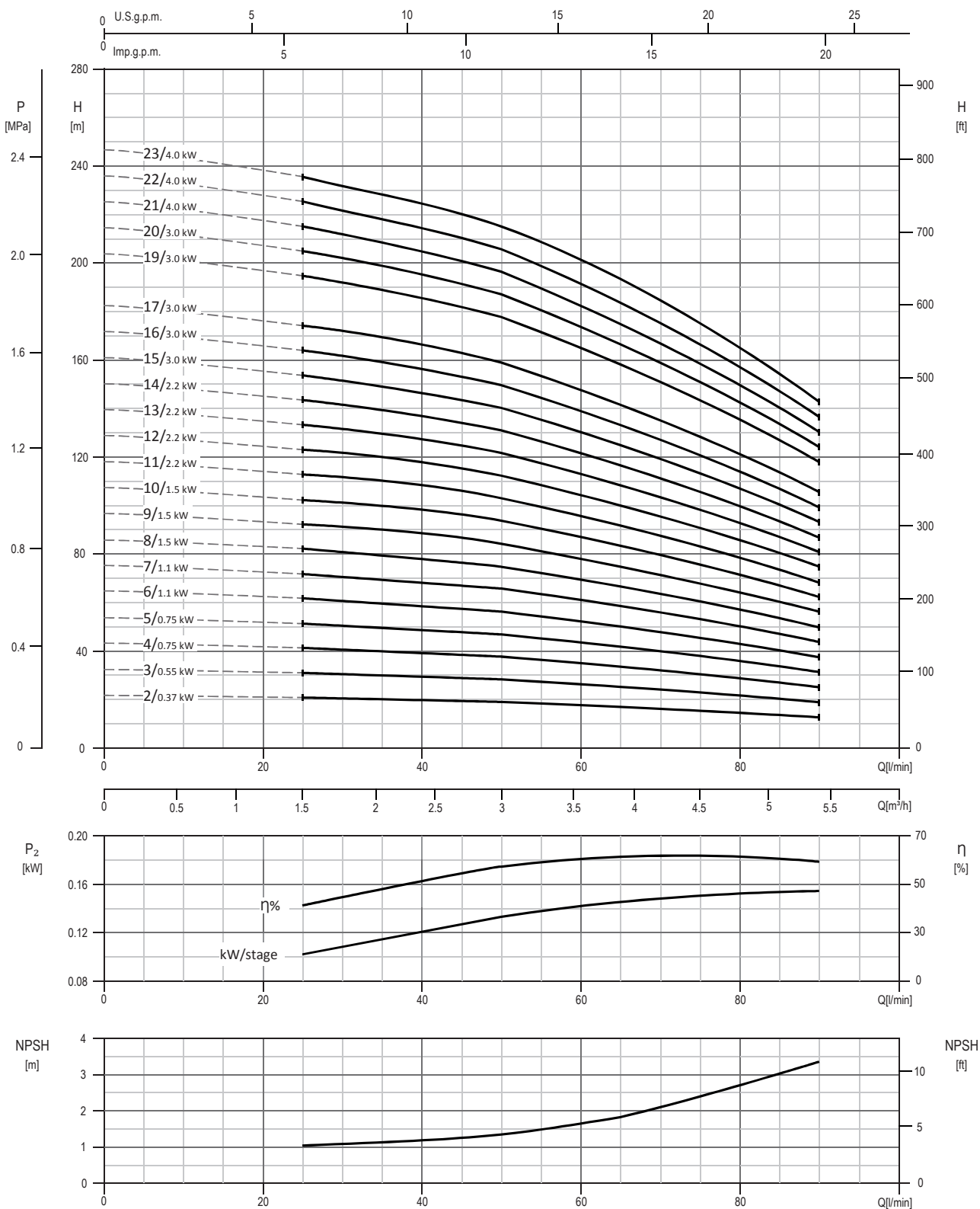
Pump Type	N°																												
	4	5-1	52	53	54	6	7	21	31	32-1	43-2	43-3	43-5	43-7	44-1	46	47	48	52-1	75	75-1	107	111	111-3	111-4	111-5	115-1	115-4	115-5
EVMSG1 2/0.37	1	1	/	1	1	1	1	2	1	1	1	1	/	/	1	2	1	1	1	1	4	2	1	1	1	1	2	1	1
EVMSG1 3/0.37	1	1	1	1	1	1	1	3	1	1	3	1	/	/	1	2	1	1	1	1	4	3	1	1	1	1	2	1	1
EVMSG1 4/0.37	1	1	2	1	1	1	1	4	1	1	5	1	/	/	1	2	1	1	1	1	4	4	1	1	1	1	2	1	1
EVMSG1 5/0.37	1	1	3	1	1	1	1	5	1	1	7	1	1	/	1	2	1	1	1	1	4	5	1	1	1	1	2	1	1
EVMSG1 6/0.55	1	1	4	1	1	1	1	6	1	1	9	1	/	/	1	2	1	1	1	1	4	6	1	1	1	1	2	1	1
EVMSG1 7/0.55	1	1	5	1	1	1	1	7	1	1	11	1	/	/	1	2	1	1	1	1	4	7	1	1	1	1	2	1	1
EVMSG1 8/0.75	1	1	6	1	1	1	1	8	1	1	13	1	/	/	1	2	1	1	1	1	4	8	1	1	1	1	2	1	1
EVMSG1 9/0.75	1	1	7	1	1	1	1	9	1	1	15	1	1	/	1	2	1	1	1	1	4	9	1	1	1	1	2	1	1
EVMSG1 10/0.75	1	1	8	1	1	1	1	10	1	1	17	1	/	/	1	2	1	1	1	1	4	10	1	1	1	1	2	1	1
EVMSG1 11/1.1	1	1	9	1	1	1	1	11	1	1	19	1	/	/	1	2	1	1	1	1	4	11	1	1	1	1	2	1	1
EVMSG1 12/1.1	1	1	10	1	1	1	1	12	1	1	21	1	/	/	1	2	1	1	1	1	4	12	1	1	1	1	2	1	1
EVMSG1 13/1.1	1	1	10	2	1	1	1	13	1	1	20	2	1	1	2	2	1	1	2	1	4	13	1	1	1	1	2	1	1
EVMSG1 14/1.1	1	1	11	2	1	1	1	14	1	1	22	2	/	1	2	2	1	1	2	1	4	14	1	1	1	1	2	1	1
EVMSG1 16/1.5	1	1	13	2	1	1	1	16	1	1	26	2	/	1	2	2	1	1	2	1	4	16	1	1	1	1	2	1	1
EVMSG1 18/1.5	1	1	15	2	1	1	1	18	1	1	30	2	/	1	2	2	1	1	2	1	4	18	1	1	1	1	2	1	1
EVMSG1 20/1.5	1	1	17	2	1	1	1	20	1	1	34	2	/	1	2	2	1	1	2	1	4	20	1	1	1	1	2	1	1
EVMSG1 22/2.2	1	1	19	2	1	1	1	22	1	1	38	2	/	1	2	2	1	1	2	1	4	22	1	1	1	1	2	1	1
EVMSG1 24/2.2	1	1	21	2	1	1	1	24	1	1	42	2	/	1	2	2	1	1	2	1	4	24	1	1	1	1	2	1	1
EVMSG1 26/2.2	1	1	23	2	1	1	1	26	1	1	46	2	/	1	2	2	1	1	2	1	4	26	1	1	1	1	2	1	1
EVMSG1 27/2.2	1	1	24	2	1	1	1	27	1	1	48	2	/	1	2	2	1	1	2	1	4	27	1	1	1	1	2	1	1
EVMSG1 29/2.2	1	1	26	2	1	1	1	29	1	1	52	2	/	1	2	2	1	1	2	1	4	29	1	1	1	1	2	1	1

Pump Type	N°																					
	117*	120-1	120-3	120-6	120-11*	120-13	128-1	128-6	130-1	130-2	131-1	135-1	135-6	137-1	140	162	212	212-1	212-2	219*	245	273-1
EVMSG1 2/0.37	2	4	4	4	4	4	4	4	3	4	1	4	4	1	2	1	1	4	1	2	2	4
EVMSG1 3/0.37	2	4	4	4	4	4	4	4	3	4	1	4	4	1	2	1	1	4	1	2	2	4
EVMSG1 4/0.37	2	4	4	4	4	4	4	4	3	4	1	4	4	1	2	1	1	4	1	2	2	4
EVMSG1 5/0.37	2	4	4	4	4	4	4	4	3	4	1	4	4	1	2	1	1	4	1	2	2	4
EVMSG1 6/0.55	2	4	4	4	4	4	4	4	3	4	1	4	4	1	2	1	1	4	1	2	2	4
EVMSG1 7/0.55	2	4	4	4	4	4	4	4	3	4	1	4	4	1	2	1	1	4	1	2	2	4
EVMSG1 8/0.75	2	4	4	4	4	4	4	4	3	4	1	4	4	1	2	1	1	4	1	2	2	4
EVMSG1 9/0.75	2	4	4	4	4	4	4	4	3	4	1	4	4	1	2	1	1	4	1	2	2	4
EVMSG1 10/0.75	2	4	4	4	4	4	4	4	3	4	1	4	4	1	2	1	1	4	1	2	2	4
EVMSG1 11/1.1	2	4	4	4	4	4	4	4	3	4	1	4	4	1	2	1	1	4	1	2	2	4
EVMSG1 12/1.1	2	4	4	4	4	4	4	4	3	4	1	4	4	1	2	1	1	4	1	2	2	4
EVMSG1 13/1.1	2	4	4	4	4	4	4	4	3	4	1	4	4	1	2	1	1	4	1	2	2	4
EVMSG1 14/1.1	2	4	4	4	4	4	4	4	3	4	1	4	4	1	2	1	1	4	1	2	2	4
EVMSG1 16/1.5	2	4	4	4	4	4	4	4	3	4	1	4	4	1	2	1	1	4	1	2	2	4
EVMSG1 18/1.5	2	4	4	4	4	4	4	4	3	4	1	4	4	1	2	1	1	4	1	2	2	4
EVMSG1 20/1.5	/	4	4	4	/	4	4	4	3	4	1	4	4	1	2	1	1	4	1	/	2	4
EVMSG1 22/2.2	/	4	4	4	/	4	4	4	3	4	1	4	4	1	2	1	1	4	1	/	2	4
EVMSG1 24/2.2	/	4	4	4	/	4	4	4	3	4	1	4	4	1	2	1	1	4	1	/	2	4
EVMSG1 26/2.2	/	4	4	4	/	4	4	4	3	4	1	4	4	1	2	1	1	4	1	/	2	4
EVMSG1 27/2.2	/	4	4	4	/	4	4	4	3	4	1	4	4	1	2	1	1	4	1	/	2	4
EVMSG1 29/2.2	/	4	4	4	/	4	4	4	3	4	1	4	4	1	2	1	1	4	1	/	2	4

* only for Oval flange (N)

PERFORMANCE CURVE
EVMS(L)3

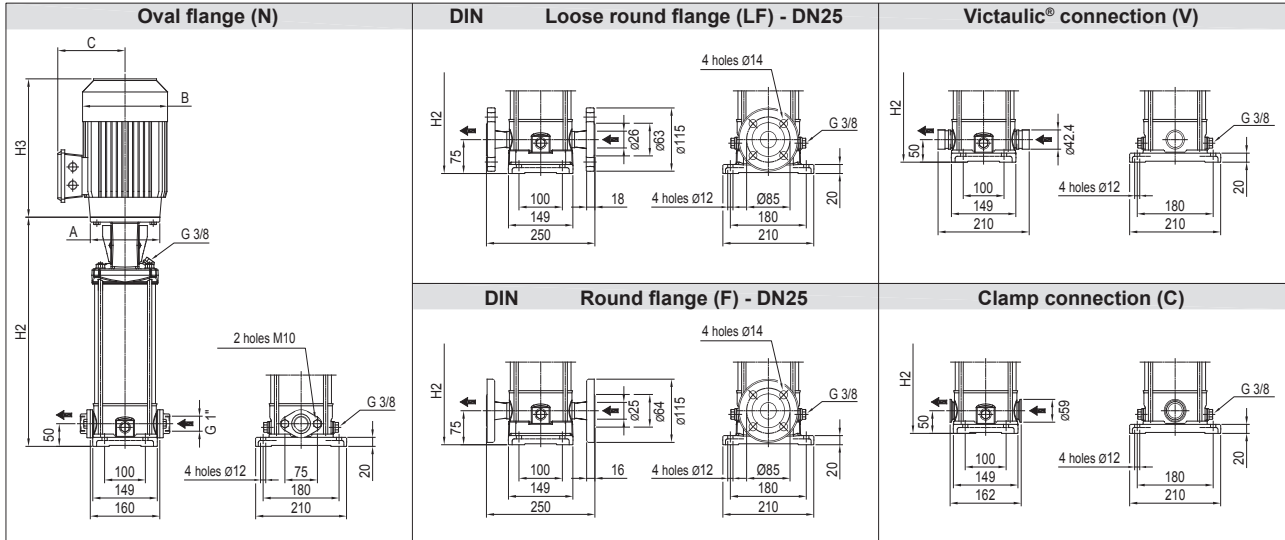
EVMS(L)3



Test standard: ISO 9906:2012 - Grade 3B

TECHNICAL DATA EVMS(L)3

Dimensional sketch

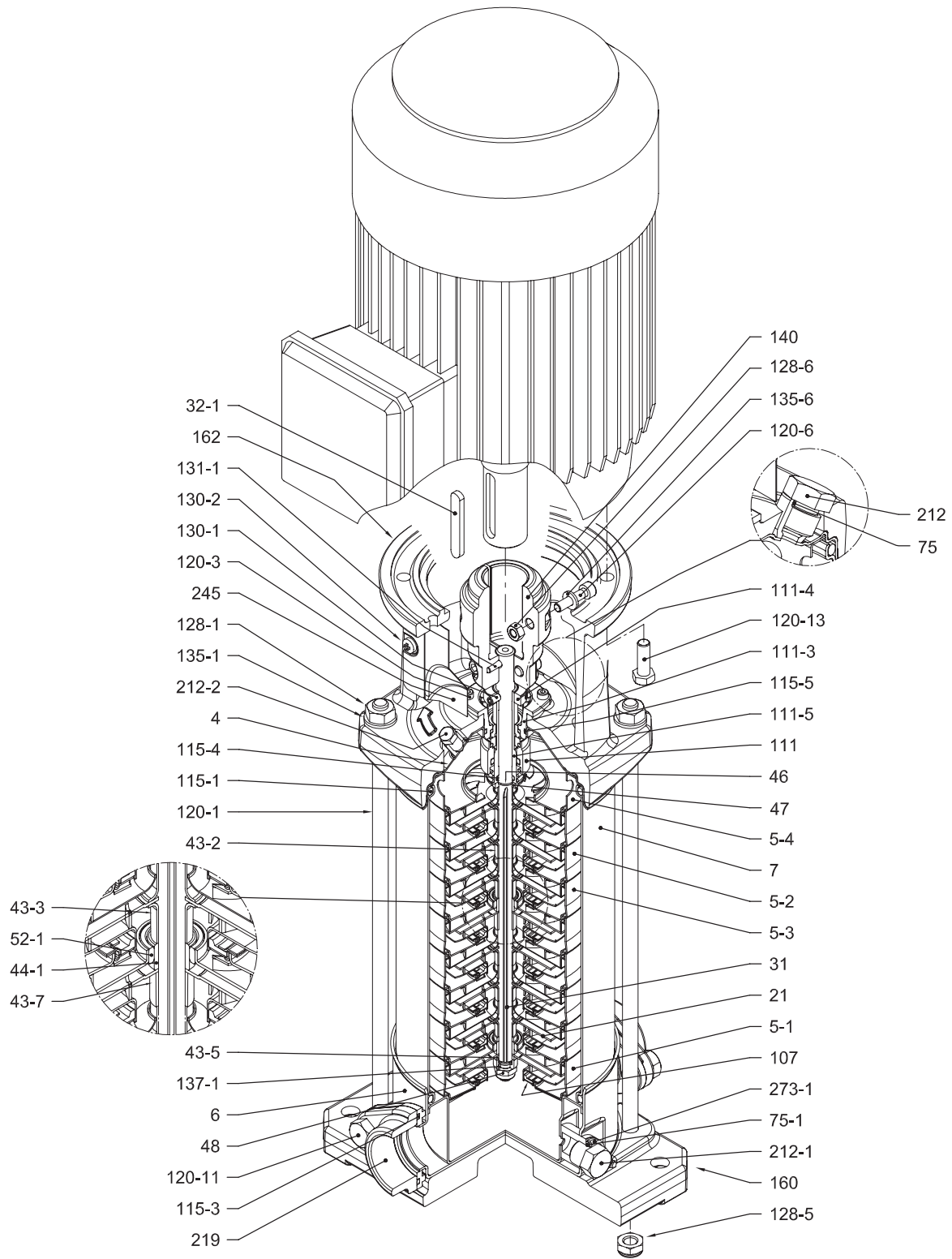


Dimensions [mm] and Weights [Kg]

Pump Type	P _{max} [MPa]	Motor			Oval flange (N)				Loose round flange (LF) Round flange (F)				Victaulic® connection (V) Clamp connection (C)					
		kW	Size	A	3 ~	H2	H2+H3	Weight Pump	Weight Pump + Motor	H2	H2+H3	Weight Pump	Weight Pump + Motor	H2	H2+H3	Weight Pump	Weight Pump + Motor	
			Ø	B	C													
EVMS(L)3 2/0.37	1.6	0.37	71	105	141	119	250	452	9.9	16.4	275	477	10.6	17.1	250	452	9.8	16.3
EVMS(L)3 3/0.55	1.6	0.55	71	105	141	119	271	473	10.3	17.3	296	498	11	18.0	271	473	10.3	17.3
EVMS(L)3 4/0.75	1.6	0.75	80	120	141	102	302	535	11	19.5	327	560	11.6	20.1	302	535	10.9	19.4
EVMS(L)3 5/0.75	1.6	0.75	80	120	141	102	323	556	11.4	19.9	348	581	12.1	20.6	323	556	11.3	19.8
EVMS(L)3 6/1.1	1.6	1.1	80	120	141	102	344	588	11.8	21.8	369	613	12.5	22.5	344	588	11.7	21.7
EVMS(L)3 7/1.1	1.6	1.1	80	120	141	102	365	609	12.2	22.2	390	634	12.9	22.9	365	609	12.2	22.2
EVMS(L)3 8/1.5	1.6	1.5	90	140	160	119	396	687	12.7	26.2	421	712	13.3	26.8	396	687	12.6	26.1
EVMS(L)3 9/1.5	1.6	1.5	90	140	160	119	417	708	13.1	26.6	442	733	13.7	27.2	417	708	13	26.5
EVMS(L)3 10/1.5	1.6	1.5	90	140	160	119	438	729	13.5	27.0	463	754	14.2	27.7	438	729	13.4	26.9
EVMS(L)3 11/2.2	1.6	2.2	90	140	160	119	459	750	13.9	28.9	484	775	14.6	29.6	459	750	13.8	28.8
EVMS(L)3 12/2.2	1.6	2.2	90	140	160	119	480	771	14.3	29.3	505	796	14.9	29.9	480	771	14.2	29.2
EVMS(L)3 13/2.2	1.6	2.2	90	140	160	119	501	792	15	30.0	526	817	15.7	30.7	501	792	15	30.0
EVMS(L)3 14/2.2	1.6	2.2	90	140	160	119	522	813	15.4	30.4	547	838	16.1	31.1	522	813	15.4	30.4
EVMS(L)3 15/3.0	1.6	3.0	100	160	176	123	553	895	16.0	38.0	578	920	16.6	38.6	553	895	15.9	37.9
EVMS(L)3 16/3.0	2.5	3.0	100	160	176	123	-	-	-	-	599	941	17.6	39.6	574	916	16.9	38.9
EVMS(L)3 17/3.0	2.5	3.0	100	160	176	123	-	-	-	-	620	962	18.1	40.1	595	937	17.3	39.3
EVMS(L)3 19/3.0	2.5	3.0	100	160	176	123	-	-	-	-	662	1004	19	41.0	637	979	18.2	40.2
EVMS(L)3 20/3.0	2.5	3.0	100	160	176	123	-	-	-	-	683	1025	19.4	41.4	658	1000	18.7	40.7
EVMS(L)3 21/4.0	2.5	4.0	112	160	193	138	-	-	-	-	704	1068	19.9	48.4	679	1043	19.1	47.6
EVMS(L)3 22/4.0	2.5	4.0	112	160	193	138	-	-	-	-	725	1089	20.3	48.8	700	1064	19.6	48.1
EVMS(L)3 23/4.0	2.5	4.0	112	160	193	138	-	-	-	-	746	1110	20.8	49.3	721	1085	20	48.5

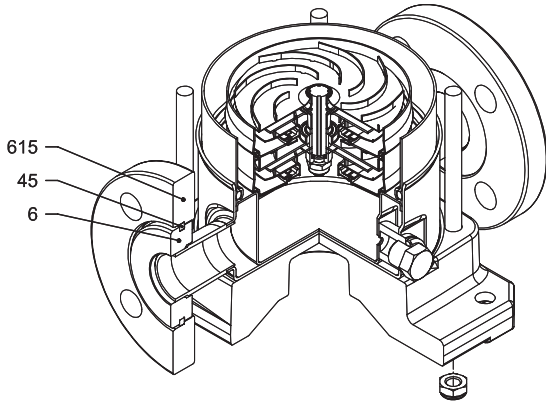
1.6 MPa=16 bar; 2.5 MPa=25 bar
- not available model

SECTIONAL VIEW
EVMS(L)3

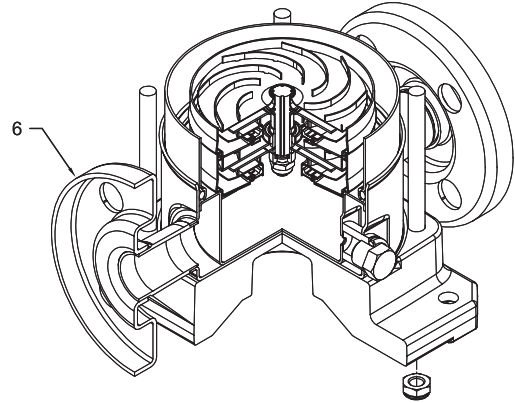


with Oval flange (N)

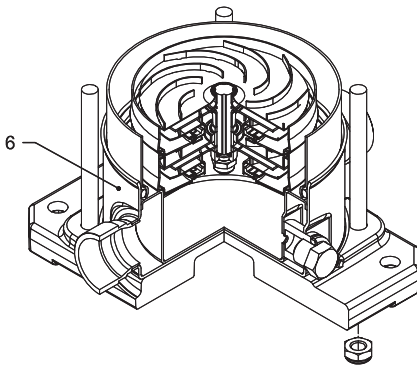
PIPE CONNECTION EVMS(L)3



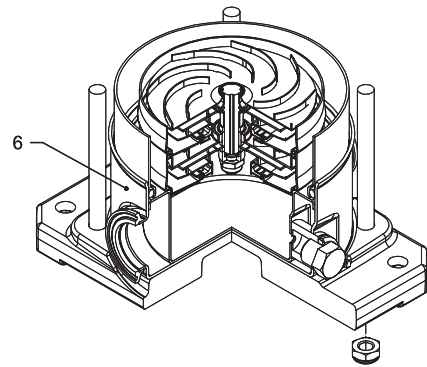
with Loose round flange (LF)



with Round flange (F)



with Victaulic® connection (V)



with Clamp connection (C)

SECTIONAL TABLE
EVMS(L)3

N°	PART NAME	MATERIAL		DIMENSIONS	STANDARD
		EVMS	EVMSL		
4	Casing cover	EN 1.4301 (AISI 304)	EN 1.4404 (AISI 316L)		
5-1	Suction casing	EN 1.4301 (AISI 304)	EN 1.4404 (AISI 316L)		
5-2	Intermediate casing	EN 1.4301 (AISI 304)	EN 1.4404 (AISI 316L)		
5-3	Intermediate casing with bearing	EN 1.4301 (AISI 304)	EN 1.4404 (AISI 316L)		
5-4	Discharge casing	EN 1.4301 (AISI 304)	EN 1.4404 (AISI 316L)		
6	Bottom casing	EN 1.4301 (AISI 304)	EN 1.4404 (AISI 316L)		
7	Outer casing	EN 1.4301 (AISI 304)	EN 1.4404 (AISI 316L)		
21	Impeller	EN 1.4301 (AISI 304)	EN 1.4404 (AISI 316L)		
31	Shaft	EN 1.4301 (AISI 304)	EN 1.4404 (AISI 316L)		
32-1	Adjuster key	EN 1.4301 (AISI 304)			
43-2	Shaft sleeve (intermediate)	EN 1.4301 (AISI 304)	EN 1.4404 (AISI 316L)		
43-3	Shaft sleeve (bearing)	EN 1.4301 (AISI 304)	EN 1.4404 (AISI 316L)		
43-5	Shaft sleeve (last stage)	EN 1.4301 (AISI 304)	EN 1.4404 (AISI 316L)		
43-7	Spacer	EN 1.4301 (AISI 304)	EN 1.4404 (AISI 316L)		
44-1	Shaft sleeve bearing	Tungsten carbide			
45	Flange holder	EN 1.4301 (AISI 304)			
46	Ring (mechanical seal)	EN 1.4404 (AISI 316L)			
47	Ring holder	EN 1.4301 (AISI 304)	EN 1.4404 (AISI 316L)		
48	Impeller nut	EN 1.4301 (AISI 304) with inox insert	EN 1.4401 (AISI 316) with inox insert	M8	
52-1	Sleeve bearing	Tungsten carbide			
75	O-Ring (priming plug)	EPDM / FPM		Ø12.37x2.62	OR 3050
75-1	O-Ring (drainage plug)	EPDM / FPM			
107	Liner ring	EN 1.4301 (AISI 304) + PPS	EN 1.4404 (AISI 316L) + PPS		
111	Mechanical seal	see pages 6-7			
111-3	Mechanical seal seat	EN 1.4308 (ASTM CF8)	EN 1.4408 (ASTM CF8M)		
111-4	Seal holder	EN 1.4301 (AISI 304)			
111-5	Mechanical seal cartridge sleeve	EN 1.4301 (AISI 304)	EN 1.4404 (AISI 316L)		
115-1	O-Ring (outer casing)	EPDM / FPM		Ø129.54x5.34	OR 6945
115-3	O-Ring	EPDM / FPM			
115-4	O-Ring (cartridge sleeve)	EPDM / FPM		Ø11.91x2.62	OR 4093
115-5	O-Ring (seal flange)	EPDM / FPM		Ø32.99x2.62	OR 4175
120-1	Tie-rod	EN 1.4057 (AISI 431)		M10	
120-3	Screw (seal flange)	A2-70		M4x10	ISO 4762
120-6	Screw (pump coupling)	Galvanized steel		M6x25	ISO 4762
120-11	Screw (counterflange)	A2-70			
120-13	Screw for motor	MEC 71-80 MEC 90-100	Galvanized steel 8.8 strength class ISO 898/1	M6x20 M8x20	ISO 4017 ISO 4017
128-1	Nut (tie rod)	A2-70		M10	ISO 4032
128-5	Nut (tie rod)	A2-70		M10	UNI 7474
128-6	Nut (aluminium coupling)	MEC 71-80-90-100-112	Galvanized steel	M6	ISO 4032
130-1	Set screw	EN 1.4301 (AISI 304)		M5x8	ISO 4026
130-2	Screw for coupling guard	A2-70		M5x6	UNI 7687
131-1	Pin for shaft	Carbon Steel		Ø4x32	ISO 2338
135-1	Washer (tie rod)	EN 1.4301 (AISI 304)		Ø10.5x21x2	ISO 7089
135-6	Washer (aluminium coupling)	up to 4.0 kW	Carbon Steel	Ø6	
137-1	Impeller spacer	EN 1.4301 (AISI 304)	EN 1.4404 (AISI 316L)		
140	Coupling	up to 4.0 kW	Die cast Aluminium EN AB-AISI11Cu2 (Fe)		
160	Base		Die cast Aluminium EN AB-AISI11Cu2 (Fe)		
162	Motor bracket		Cast iron EN-GJL-250		
212	Priming plug	EN 1.4301 (AISI 304)	EN 1.4404 (AISI 316L)	G 3/8	
212-1	Drainage plug	EN 1.4301 (AISI 304)	EN 1.4404 (AISI 316L)	G 3/8	
212-2	Venting plug	EN 1.4404 (AISI 316L)			
219	Counter flange	flange type: N flange type: LF-F-V-C	EN 1.4308 (ASTM CF8) EN 1.4301 (AISI 304)	EN 1.4408 (ASTM CF8M) EN 1.4404 (AISI 316L)	
245	Coupling guard	EN 1.4301 (AISI 304)			
273-1	Washer (drainage plug)	EN 1.4301 (AISI 304)	EN 1.4404 (AISI 316L)		
615	Flange	Nodular Cast Iron			

QUANTITY FOR MODEL EVMS(L)3

Pump Type	N°																																
	4	5-1	52	53	54	6	7	21	31	32-1	43-2	43-3	43-5	43-7	44-1	45*	46	47	48	52-1	75	75-1	107	111	111-3	111-4	111-5	115-1	115-3*	115-4	115-5		
EVMS(L)3 2/0.37	1	1	/	1	1	1	1	2	1	1	1	1	/	/	1	4	2	1	1	1	1	4	2	1	1	1	1	1	2	2	1	1	
EVMS(L)3 3/0.55	1	1	1	1	1	1	1	3	1	1	3	1	/	/	1	4	2	1	1	1	1	4	3	1	1	1	1	1	2	2	1	1	
EVMS(L)3 4/0.75	1	1	2	1	1	1	1	4	1	1	5	1	/	/	1	4	2	1	1	1	1	4	4	1	1	1	1	1	2	2	1	1	
EVMS(L)3 5/0.75	1	1	3	1	1	1	1	5	1	1	7	1	/	/	1	4	2	1	1	1	1	4	5	1	1	1	1	1	2	2	1	1	
EVMS(L)3 6/1.1	1	1	4	1	1	1	1	6	1	1	9	1	/	/	1	4	2	1	1	1	1	4	6	1	1	1	1	1	2	2	1	1	
EVMS(L)3 7/1.1	1	1	5	1	1	1	1	7	1	1	11	1	/	/	1	4	2	1	1	1	1	4	7	1	1	1	1	1	2	2	1	1	
EVMS(L)3 8/1.5	1	1	6	1	1	1	1	8	1	1	13	1	/	/	1	4	2	1	1	1	1	4	8	1	1	1	1	1	2	2	1	1	
EVMS(L)3 9/1.5	1	1	7	1	1	1	1	9	1	1	15	1	/	/	1	4	2	1	1	1	1	4	9	1	1	1	1	1	2	2	1	1	
EVMS(L)3 10/1.5	1	1	8	1	1	1	1	10	1	1	17	1	/	/	1	4	2	1	1	1	1	4	10	1	1	1	1	1	2	2	1	1	
EVMS(L)3 11/2.2	1	1	9	1	1	1	1	11	1	1	19	1	/	/	1	4	2	1	1	1	1	4	11	1	1	1	1	1	2	2	1	1	
EVMS(L)3 12/2.2	1	1	10	1	1	1	1	12	1	1	21	1	/	/	1	4	2	1	1	1	1	4	12	1	1	1	1	1	2	2	1	1	
EVMS(L)3 13/2.2	1	1	10	2	1	1	1	13	1	1	20	1	1	1	2	4	2	1	1	2	1	4	13	1	1	1	1	1	2	2	1	1	
EVMS(L)3 14/2.2	1	1	11	2	1	1	1	14	1	1	22	1	/	/	1	2	4	2	1	1	2	1	4	14	1	1	1	1	1	2	2	1	1
EVMS(L)3 15/3.0	1	1	12	2	1	1	1	15	1	1	24	1	/	/	1	2	4	2	1	1	2	1	4	15	1	1	1	1	1	2	2	1	1
EVMS(L)3 16/3.0	1	1	13	2	1	1	1	16	1	1	26	1	/	/	1	2	4	2	1	1	2	1	4	16	1	1	1	1	2	/	1	1	
EVMS(L)3 17/3.0	1	1	14	2	1	1	1	17	1	1	28	1	1	1	2	4	2	1	1	2	1	4	17	1	1	1	1	1	2	/	1	1	
EVMS(L)3 19/3.0	1	1	16	2	1	1	1	19	1	1	32	1	/	/	1	2	4	2	1	1	2	1	4	19	1	1	1	1	2	/	1	1	
EVMS(L)3 20/3.0	1	1	17	2	1	1	1	20	1	1	34	1	/	/	1	2	4	2	1	1	2	1	4	20	1	1	1	1	2	/	1	1	
EVMS(L)3 21/4.0	1	1	18	2	1	1	1	21	1	1	36	1	1	1	2	4	2	1	1	2	1	4	21	1	1	1	1	1	2	/	1	1	
EVMS(L)3 22/4.0	1	1	19	2	1	1	1	22	1	1	38	1	/	/	1	2	4	2	1	1	2	1	4	22	1	1	1	1	2	/	1	1	
EVMS(L)3 23/4.0	1	1	20	2	1	1	1	23	1	1	40	1	/	/	1	2	4	2	1	1	2	1	4	23	1	1	1	1	2	/	1	1	

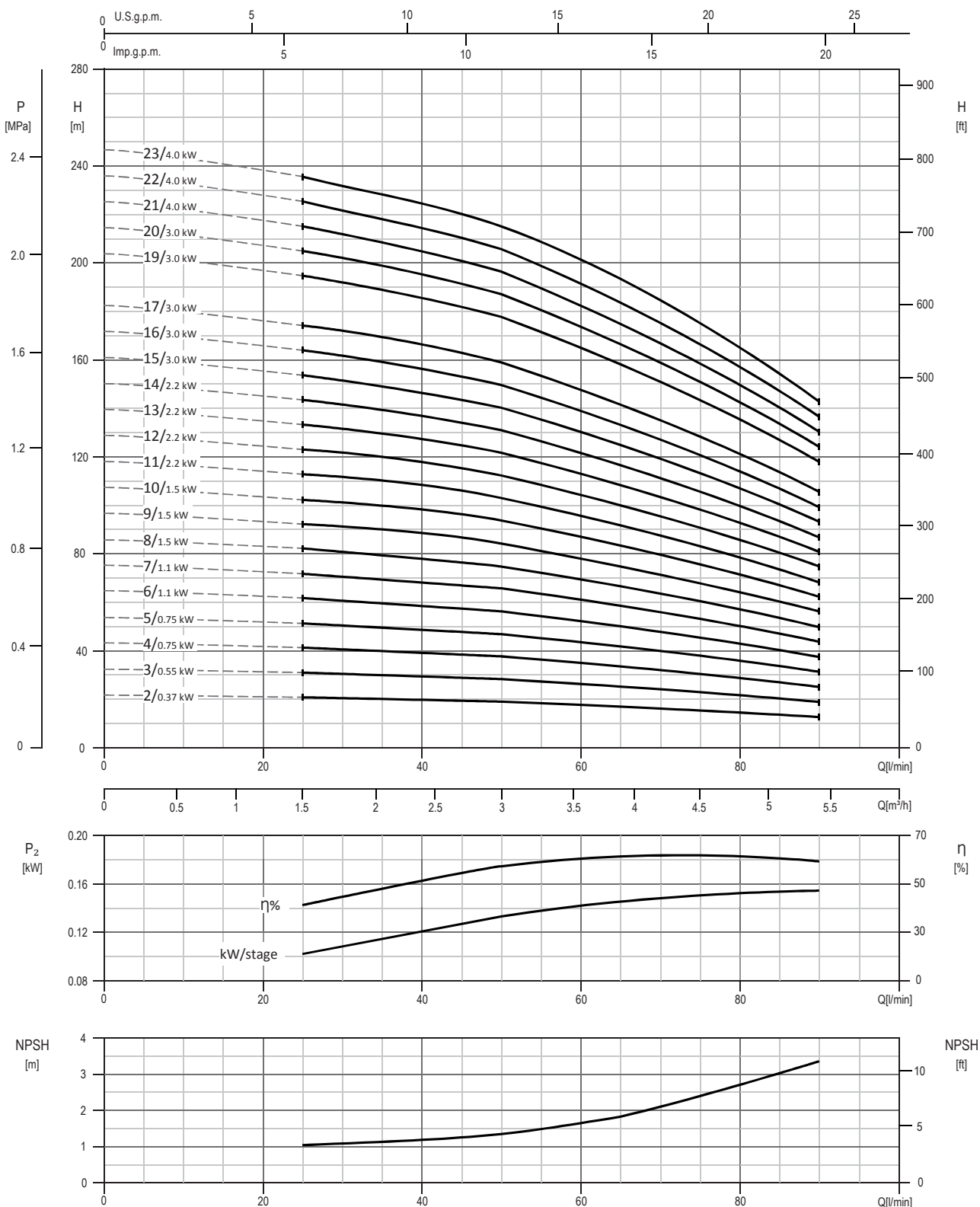
Pump Type	N°																							
	120-1	120-3	120-6	120-11*	120-13	128-1	128-5	128-6	130-1	130-2	131-1	135-1	135-6	137-1	140	160	162	212	212-1	212-2	219*	245	273-1	615*
EVMS(L)3 2/0.37	4	4	4	4	4	4	4	4	3	4	1	4	4	1	2	1	1	1	2	1	2	2	2	2
EVMS(L)3 3/0.55	4	4	4	4	4	4	4	4	3	4	1	4	4	1	2	1	1	1	2	1	2	2	2	2
EVMS(L)3 4/0.75	4	4	4	4	4	4	4	4	3	4	1	4	4	1	2	1	1	1	2	1	2	2	2	2
EVMS(L)3 5/0.75	4	4	4	4	4	4	4	4	3	4	1	4	4	1	2	1	1	1	2	1	2	2	2	2
EVMS(L)3 6/1.1	4	4	4	4	4	4	4	4	3	4	1	4	4	1	2	1	1	1	2	1	2	2	2	2
EVMS(L)3 7/1.1	4	4	4	4	4	4	4	4	3	4	1	4	4	1	2	1	1	1	2	1	2	2	2	2
EVMS(L)3 8/1.5	4	4	4	4	4	4	4	4	3	4	1	4	4	1	2	1	1	1	2	1	2	2	2	2
EVMS(L)3 9/1.5	4	4	4	4	4	4	4	4	3	4	1	4	4	1	2	1	1	1	2	1	2	2	2	2
EVMS(L)3 10/1.5	4	4	4	4	4	4	4	4	3	4	1	4	4	1	2	1	1	1	2	1	2	2	2	2
EVMS(L)3 11/2.2	4	4	4	4	4	4	4	4	3	4	1	4	4	1	2	1	1	1	2	1	2	2	2	2
EVMS(L)3 12/2.2	4	4	4	4	4	4	4	4	3	4	1	4	4	1	2	1	1	1	2	1	2	2	2	2
EVMS(L)3 13/2.2	4	4	4	4	4	4	4	4	3	4	1	4	4	1	2	1	1	1	2	1	2	2	2	2
EVMS(L)3 14/2.2	4	4	4	4	4	4	4	4	3	4	1	4	4	1	2	1	1	1	2	1	2	2	2	2
EVMS(L)3 15/3.0	4	4	4	4	4	4	4	4	3	4	1	4	4	1	2	1	1	1	2	1	2	2	2	2
EVMS(L)3 16/3.0	4	4	4	/	4	4	4	4	3	4	1	4	4	1	2	1	1	1	2	1	/	2	2	2
EVMS(L)3 17/3.0	4	4	4	/	4	4	4	4	3	4	1	4	4	1	2	1	1	1	2	1	/	2	2	2
EVMS(L)3 19/3.0	4	4	4	/	4	4	4	4	3	4	1	4	4	1	2	1	1	1	2	1	/	2	2	2
EVMS(L)3 20/3.0	4	4	4	/	4	4	4	4	3	4	1	4	4	1	2	1	1	1	2	1	/	2	2	2
EVMS(L)3 21/4.0	4	4	4	/	4	4	4	4	3	4	1	4	4	1	2	1	1	1	2	1	/	2	2	2
EVMS(L)3 22/4.0	4	4	4	/	4	4	4	4	3	4	1	4	4	1	2	1	1	1	2	1	/	2	2	2
EVMS(L)3 23/4.0	4	4	4	/	4	4	4	4	3	4	1	4	4	1	2	1	1	1	2	1	/	2	2	2

* only for Oval flange (N)

** only for Loose round flange (LF)

PERFORMANCE CURVE
EVMSG3

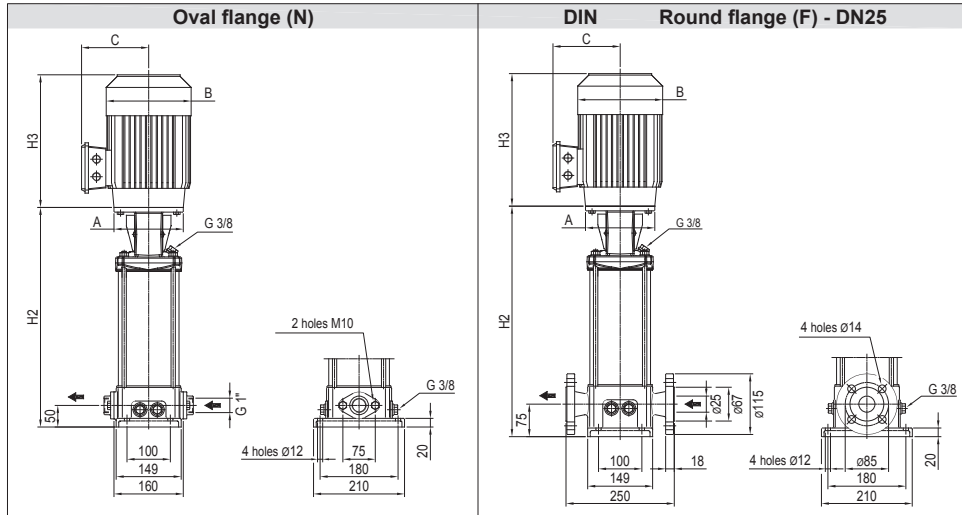
EVMSG3



Test standard: ISO 9906:2012 - Grade 3B

TECHNICAL DATA EVMSG3

Dimensional sketch

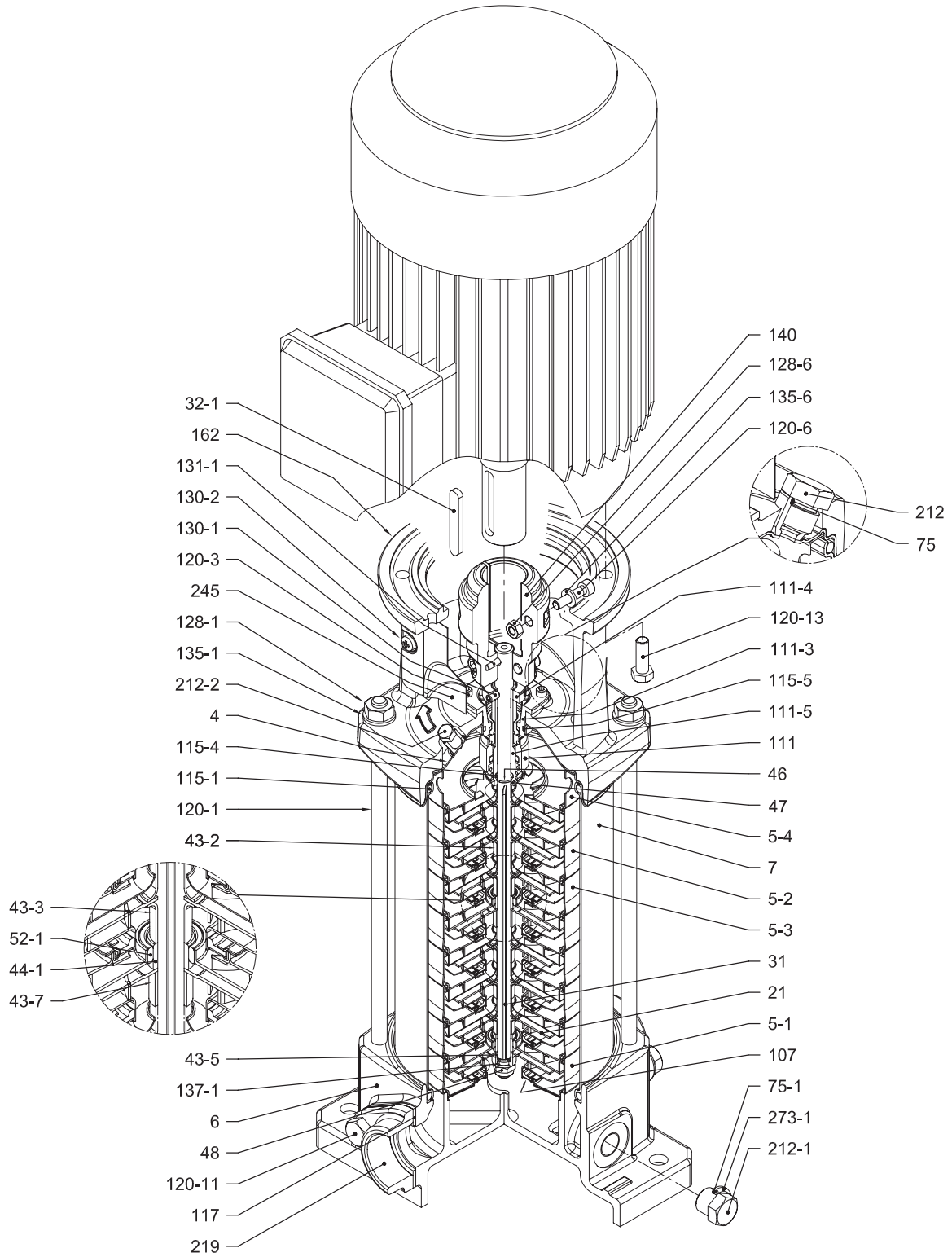


Dimensions [mm] and Weights [Kg]

Pump Type	P _{max} [MPa]	kW	Motor			Oval flange (N)				Round flange (F)			
			Size	A	3 ~ Ø B C	H2	H2+H3	Weight Pump	Weight Pump + Motor	H2	H2+H3	Weight Pump	Weight Pump + Motor
EVMSG3 2/0.37	1.6	0.37	71	105	141 119	250	452	12.3	18.8	275	477	15.7	22.2
EVMSG3 3/0.55	1.6	0.55	71	105	141 119	271	473	12.7	19.7	296	498	16.1	23.1
EVMSG3 4/0.75	1.6	0.75	80	120	141 102	302	535	13.4	21.9	327	560	16.8	25.3
EVMSG3 5/0.75	1.6	0.75	80	120	141 102	323	556	13.8	22.3	348	581	17.2	25.7
EVMSG3 6/1.1	1.6	1.1	80	120	141 102	344	588	14.2	24.2	369	613	17.6	27.6
EVMSG3 7/1.1	1.6	1.1	80	120	141 102	365	609	14.6	24.6	390	634	18	28.0
EVMSG3 8/1.5	1.6	1.5	90	140	160 119	396	687	15	28.5	421	712	18.4	31.9
EVMSG3 9/1.5	1.6	1.5	90	140	160 119	417	708	15.5	29.0	442	733	18.9	32.4
EVMSG3 10/1.5	1.6	1.5	90	140	160 119	438	729	15.9	29.4	463	754	19.3	32.8
EVMSG3 11/2.2	1.6	2.2	90	140	160 119	459	750	16.3	31.3	484	775	19.7	34.7
EVMSG3 12/2.2	1.6	2.2	90	140	160 119	480	771	16.6	31.6	505	796	20	35.0
EVMSG3 13/2.2	1.6	2.2	90	140	160 119	501	792	17.4	32.4	526	817	20.8	35.8
EVMSG3 14/2.2	1.6	2.2	90	140	160 119	522	813	17.8	32.8	547	838	21.2	36.2
EVMSG3 15/3.0	1.6	3.0	100	160	176 123	553	895	18.3	40.3	578	920	21.7	43.7
EVMSG3 16/3.0	2.5	3.0	100	160	176 123	-	-	-	-	599	941	22.7	44.7
EVMSG3 17/3.0	2.5	3.0	100	160	176 123	-	-	-	-	620	962	23.2	45.2
EVMSG3 19/3.0	2.5	3.0	100	160	176 123	-	-	-	-	662	1004	24.1	46.1
EVMSG3 20/3.0	2.5	3.0	100	160	176 123	-	-	-	-	683	1025	24.5	46.5
EVMSG3 21/4.0	2.5	4.0	112	160	193 138	-	-	-	-	704	1068	25	53.5
EVMSG3 22/4.0	2.5	4.0	112	160	193 138	-	-	-	-	725	1089	25.4	53.9
EVMSG3 23/4.0	2.5	4.0	112	160	193 138	-	-	-	-	746	1110	25.9	54.4

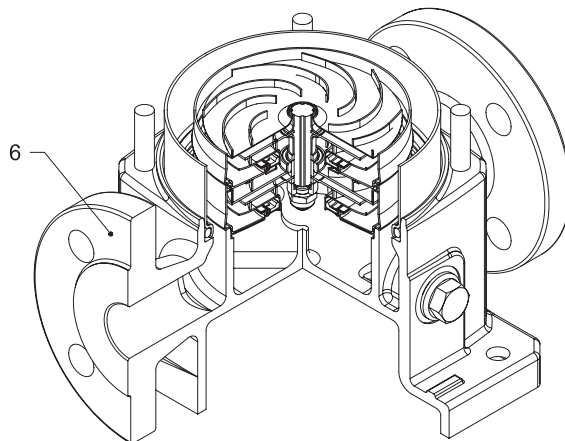
1.6 MPa=16 bar; 2.5 MPa=25 bar
- not available model

SECTIONAL VIEW
EVMSG3



with Oval flange (N)

PIPE CONNECTION EVMSG3



with Round flange (F)

SECTIONAL TABLE
EVMSG3

N°	PART NAME	MATERIAL EVMSG	DIMENSIONS	STANDARD
4	Casing cover	EN 1.4301 (AISI 304)		
5-1	Suction casing	EN 1.4301 (AISI 304)		
5-2	Intermediate casing	EN 1.4301 (AISI 304)		
5-3	Intermediate casing with bearing	EN 1.4301 (AISI 304)		
5-4	Discharge casing	EN 1.4301 (AISI 304)		
6	Bottom casing	Cast Iron EN GJL-250		
7	Outer casing	EN 1.4301 (AISI 304)		
21	Impeller	EN 1.4301 (AISI 304)		
31	Shaft	EN 1.4301 (AISI 304)		
32-1	Adjuster key	EN 1.4301 (AISI 304)		
43-2	Shaft sleeve (intermediate)	EN 1.4301 (AISI 304)		
43-3	Shaft sleeve (bearing)	EN 1.4301 (AISI 304)		
43-5	Shaft sleeve (last stage)	EN 1.4301 (AISI 304)		
43-7	Spacer	EN 1.4301 (AISI 304)		
44-1	Shaft sleeve bearing	Tungsten carbide		
46	Ring (mechanical seal)	EN 1.4404 (AISI 316L)		
47	Ring holder	EN 1.4404 (AISI 316L)		
48	Impeller nut	EN 1.4301 (AISI 304) with inox insert	M8	
52-1	Sleeve bearing	Tungsten carbide		
75	O-Ring (priming plug)	EPDM / FPM	Ø12.37x2.62	OR 3050
75-1	O-Ring (drainage plug)	EPDM / FPM		
107	Liner ring	EN 1.4301 (AISI 304) + PPS		
111	Mechanical seal	see pages 6-7		
111-3	Mechanical seal seat	EN 1.4308 (ASTM CF8)		
111-4	Seal holder	EN 1.4301 (AISI 304)		
111-5	Mechanical seal cartridge sleeve	EN 1.4301 (AISI 304)		
115-1	O-Ring (outer casing)	EPDM / FPM	Ø129.54x5.34	OR 6945
115-4	O-Ring (cartridge sleeve)	EPDM / FPM	Ø11.91x2.62	OR 4093
115-5	O-Ring (seal flange)	EPDM / FPM	Ø32.99x2.62	OR 4175
117	Flange gasket	EPDM / FPM		
120-1	Tie-rod	EN 1.4057 (AISI 431)	M10	
120-3	Screw (seal flange)	A2-70	M4x10	ISO 4762
120-6	Screw (pump coupling)	Galvanized steel	M6x25	ISO 4762
120-11	Screw (counterflange)	A2-70		
120-13	Screw for motor	MEC 71-80 MEC 90-100	Galvanized steel 8.8 strength class ISO 898/1	M6x20 M8x20 ISO 4017 ISO 4017
128-1	Nut (tie rod)	A2-70	M10	ISO 4032
128-6	Nut (aluminium coupling)	MEC 71-80-90-100-112	Galvanized steel	M6 ISO 4032
130-1	Set screw	EN 1.4301 (AISI 304)	M5x8	ISO 4026
130-2	Screw for coupling guard	A2-70	M5x6	UNI 7687
131-1	Pin for shaft	Carbon Steel	Ø4x32	ISO 2338
135-1	Washer (tie rod)	EN 1.4301 (AISI 304)	Ø10.5x21x2	ISO 7089
135-6	Washer (aluminium coupling)	up to 4.0 kW	Carbon Steel	Ø6
137-1	Impeller spacer	EN 1.4301 (AISI 304)		
140	Coupling	up to 4.0 kW	Die cast Aluminium EN AB-AISI11Cu2 (Fe)	
162	Motor bracket	Cast iron EN-GJL-250		
212	Priming plug	EN 1.4301 (AISI 304)	G 3/8	
212-1	Drainage plug	EN 1.4301 (AISI 304)	G 3/8	
212-2	Venting plug	EN 1.4404 (AISI 316L)		
219	Counter flange	flange type: N flange type: F	Galvanized steel Cast Iron EN-GJL-250	
245	Coupling guard	EN 1.4301 (AISI 304)		
273-1	Washer (drainage plug)	EN 1.4301 (AISI 304)		

QUANTITY FOR MODEL EVMSG3

2.9

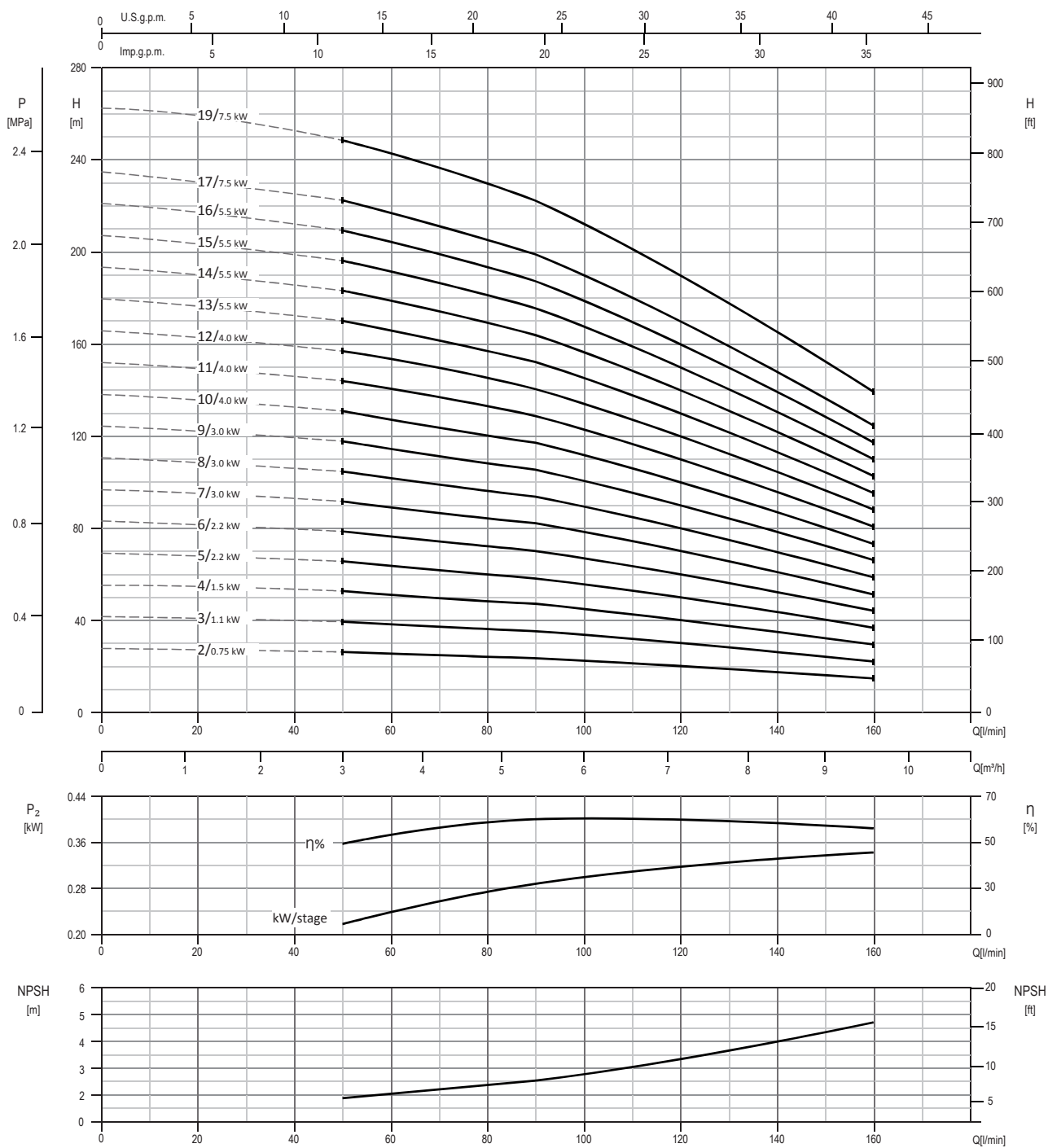
EVMSG3

Pump Type	N°																												
	4	5-1	52	53	54	6	7	21	31	32-1	43-2	43-3	43-5	43-7	44-1	46	47	48	52-1	75	75-1	107	111	111-3	111-4	111-5	115-1	115-4	115-5
EVMSG3 2/0.37	1	1	/	1	1	1	1	2	1	1	1	1	/	/	1	2	1	1	1	1	4	2	1	1	1	1	2	1	1
EVMSG3 3/0.55	1	1	1	1	1	1	1	3	1	1	3	1	/	/	1	2	1	1	1	1	4	3	1	1	1	1	2	1	1
EVMSG3 4/0.75	1	1	2	1	1	1	1	4	1	1	5	1	/	/	1	2	1	1	1	1	4	4	1	1	1	1	2	1	1
EVMSG3 5/0.75	1	1	3	1	1	1	1	5	1	1	7	1	1	/	1	2	1	1	1	1	4	5	1	1	1	1	2	1	1
EVMSG3 6/1.1	1	1	4	1	1	1	1	6	1	1	9	1	/	/	1	2	1	1	1	1	4	6	1	1	1	1	2	1	1
EVMSG3 7/1.1	1	1	5	1	1	1	1	7	1	1	11	1	/	/	1	2	1	1	1	1	4	7	1	1	1	1	2	1	1
EVMSG3 8/1.5	1	1	6	1	1	1	1	8	1	1	13	1	/	/	1	2	1	1	1	1	4	8	1	1	1	1	2	1	1
EVMSG3 9/1.5	1	1	7	1	1	1	1	9	1	1	15	1	1	/	1	2	1	1	1	1	4	9	1	1	1	1	2	1	1
EVMSG3 10/1.5	1	1	8	1	1	1	1	10	1	1	17	1	/	/	1	2	1	1	1	1	4	10	1	1	1	1	2	1	1
EVMSG3 11/2.2	1	1	9	1	1	1	1	11	1	1	19	1	/	/	1	2	1	1	1	1	4	11	1	1	1	1	2	1	1
EVMSG3 12/2.2	1	1	10	1	1	1	1	12	1	1	21	1	/	/	1	2	1	1	1	1	4	12	1	1	1	1	2	1	1
EVMSG3 13/2.2	1	1	10	2	1	1	1	13	1	1	20	1	1	1	2	2	1	1	2	1	4	13	1	1	1	1	2	1	1
EVMSG3 14/2.2	1	1	11	2	1	1	1	14	1	1	22	1	/	1	2	2	1	1	2	1	4	14	1	1	1	1	2	1	1
EVMSG3 15/3.0	1	1	12	2	1	1	1	15	1	1	24	1	/	1	2	2	1	1	2	1	4	15	1	1	1	1	2	1	1
EVMSG3 16/3.0	1	1	13	2	1	1	1	16	1	1	26	1	/	1	2	2	1	1	2	1	4	16	1	1	1	1	2	1	1
EVMSG3 17/3.0	1	1	14	2	1	1	1	17	1	1	28	1	1	1	2	2	1	1	2	1	4	17	1	1	1	1	2	1	1
EVMSG3 19/3.0	1	1	16	2	1	1	1	19	1	1	32	1	/	1	2	2	1	1	2	1	4	19	1	1	1	1	2	1	1
EVMSG3 20/3.0	1	1	17	2	1	1	1	20	1	1	34	1	/	1	2	2	1	1	2	1	4	20	1	1	1	1	2	1	1
EVMSG3 21/4.0	1	1	18	2	1	1	1	21	1	1	36	1	1	1	2	2	1	1	2	1	4	21	1	1	1	1	2	1	1
EVMSG3 22/4.0	1	1	19	2	1	1	1	22	1	1	38	1	/	1	2	2	1	1	2	1	4	22	1	1	1	1	2	1	1
EVMSG3 23/4.0	1	1	20	2	1	1	1	23	1	1	40	1	/	1	2	2	1	1	2	1	4	23	1	1	1	1	2	1	1

Pump Type	N°																					
	117*	120-1	120-3	120-6	120-11*	120-13	128-1	128-6	130-1	130-2	131-1	135-1	135-6	137-1	140	162	212	212-1	212-2	219*	245	273-1
EVMSG3 2/0.37	2	4	4	4	4	4	4	4	3	4	1	4	4	1	2	1	1	4	1	2	2	4
EVMSG3 3/0.55	2	4	4	4	4	4	4	4	3	4	1	4	4	1	2	1	1	4	1	2	2	4
EVMSG3 4/0.75	2	4	4	4	4	4	4	4	3	4	1	4	4	1	2	1	1	4	1	2	2	4
EVMSG3 5/0.75	2	4	4	4	4	4	4	4	3	4	1	4	4	1	2	1	1	4	1	2	2	4
EVMSG3 6/1.1	2	4	4	4	4	4	4	4	3	4	1	4	4	1	2	1	1	4	1	2	2	4
EVMSG3 7/1.1	2	4	4	4	4	4	4	4	3	4	1	4	4	1	2	1	1	4	1	2	2	4
EVMSG3 8/1.5	2	4	4	4	4	4	4	4	3	4	1	4	4	1	2	1	1	4	1	2	2	4
EVMSG3 9/1.5	2	4	4	4	4	4	4	4	3	4	1	4	4	1	2	1	1	4	1	2	2	4
EVMSG3 10/1.5	2	4	4	4	4	4	4	4	3	4	1	4	4	1	2	1	1	4	1	2	2	4
EVMSG3 11/2.2	2	4	4	4	4	4	4	4	3	4	1	4	4	1	2	1	1	4	1	2	2	4
EVMSG3 12/2.2	2	4	4	4	4	4	4	4	3	4	1	4	4	1	2	1	1	4	1	2	2	4
EVMSG3 13/2.2	2	4	4	4	4	4	4	4	3	4	1	4	4	1	2	1	1	4	1	2	2	4
EVMSG3 14/2.2	2	4	4	4	4	4	4	4	3	4	1	4	4	1	2	1	1	4	1	2	2	4
EVMSG3 15/3.0	2	4	4	4	4	4	4	4	3	4	1	4	4	1	2	1	1	4	1	2	2	4
EVMSG3 16/3.0	/	4	4	4	/	4	4	4	3	4	1	4	4	1	2	1	1	4	1	/	2	4
EVMSG3 17/3.0	/	4	4	4	/	4	4	4	3	4	1	4	4	1	2	1	1	4	1	/	2	4
EVMSG3 19/3.0	/	4	4	4	/	4	4	4	3	4	1	4	4	1	2	1	1	4	1	/	2	4
EVMSG3 20/3.0	/	4	4	4	/	4	4	4	3	4	1	4	4	1	2	1	1	4	1	/	2	4
EVMSG3 21/4.0	/	4	4	4	/	4	4	4	3	4	1	4	4	1	2	1	1	4	1	/	2	4
EVMSG3 22/4.0	/	4	4	4	/	4	4	4	3	4	1	4	4	1	2	1	1	4	1	/	2	4
EVMSG3 23/4.0	/	4	4	4	/	4	4	4	3	4	1	4	4	1	2	1	1	4	1	/	2	4

* only for Oval flange (N)

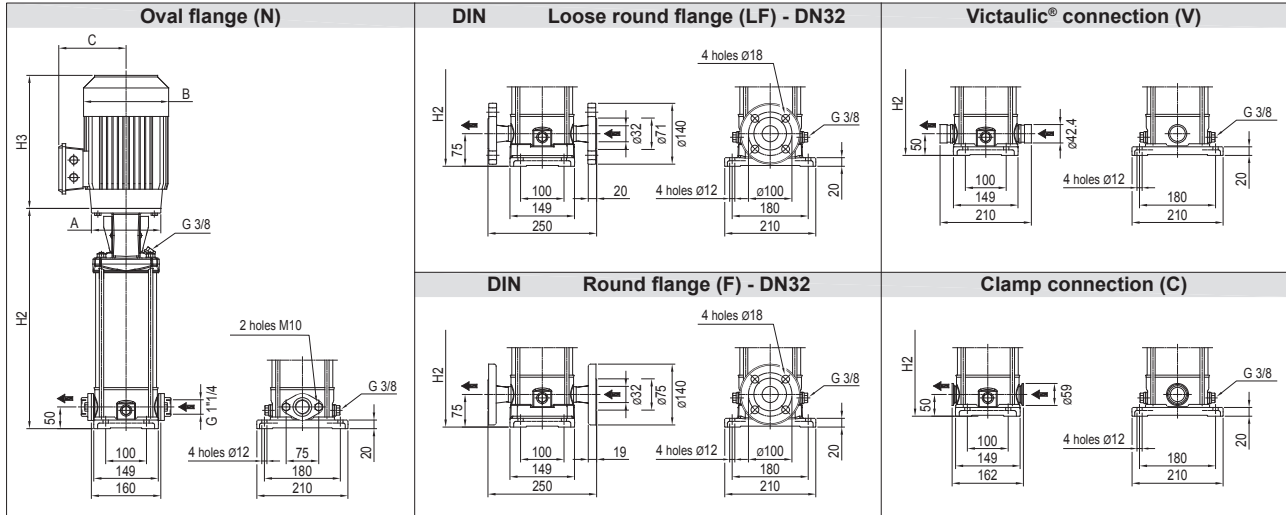
PERFORMANCE CURVE
EVMS(L)5



Test standard: ISO 9906:2012 - Grade 3B

TECHNICAL DATA EVMS(L)5

Dimensional sketch



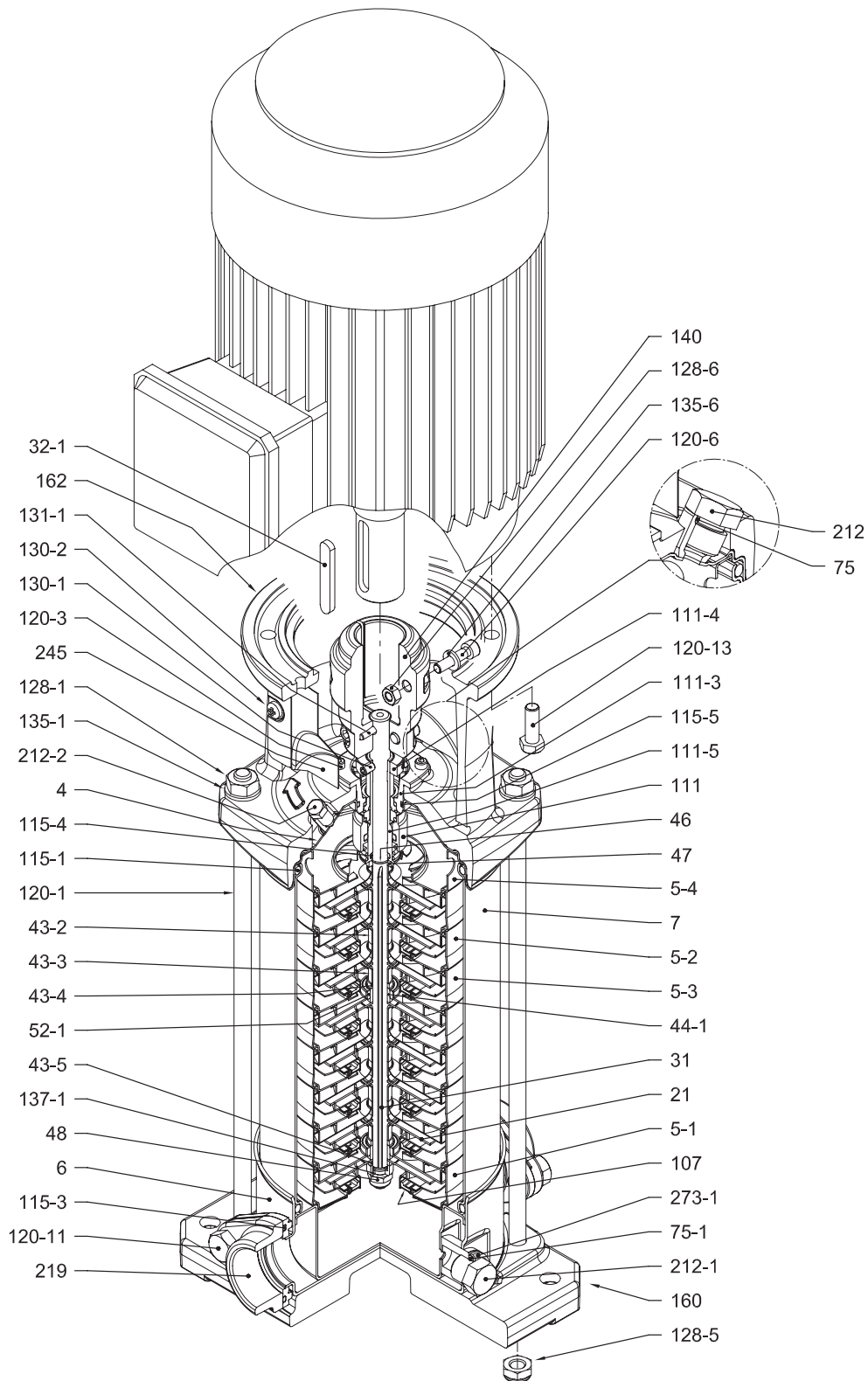
Dimensions [mm] and Weights [Kg]

Pump Type	Pmax [MPa]	Motor			Oval flange (N)				Loose round flange (LF) Round flange (F)				Victaulic® connection (V) Clamp connection (C)					
		kW	Size	A Ø	3 ~ B	C	H2	H2+H3	Weight Pump	Weight Pump + Motor	H2	H2+H3	Weight Pump	Weight Pump + Motor	H2	H2+H3	Weight Pump	Weight Pump + Motor
EVMS(L)5 2/0.75	1.6	0.75	80	120	141	102	274	507	9.8	18.3	299	532	10.8	19.3	274	507	9.7	18.2
EVMS(L)5 3/1.1	1.6	1.1	80	120	141	102	302	546	10.2	20.2	327	571	11.3	21.3	302	546	10.2	20.2
EVMS(L)5 4/1.5	1.6	1.5	90	140	160	119	340	631	11	24.5	365	656	12	26	340	631	10.9	24.4
EVMS(L)5 5/2.2	1.6	2.2	90	140	160	119	368	659	11.4	26.4	393	684	12.5	27.5	368	659	11.4	26.4
EVMS(L)5 6/2.2	1.6	2.2	90	140	160	119	396	687	11.9	26.9	421	712	12.9	27.9	396	687	11.8	26.8
EVMS(L)5 7/3.0	1.6	3.0	100	160	176	123	434	776	12.7	34.7	459	801	13.7	35.7	434	776	12.6	34.6
EVMS(L)5 8/3.0	1.6	3.0	100	160	176	123	462	804	13	35.0	487	829	14	36.0	462	804	12.9	34.9
EVMS(L)5 9/3.0	1.6	3.0	100	160	176	123	490	832	13.4	35.4	515	857	14.5	36.5	490	832	13.4	35.4
EVMS(L)5 10/4.0	1.6	4.0	112	160	193	138	518	882	13.9	42.4	543	907	15	43.5	518	882	13.9	42.4
EVMS(L)5 11/4.0	1.6	4.0	112	160	193	138	546	910	14.7	43.2	571	935	15.7	44.2	546	910	14.6	43.1
EVMS(L)5 12/4.0	1.6	4.0	112	160	193	138	574	938	15.8	44.3	599	963	16.8	45.3	574	938	15.7	44.2
EVMS(L)5 13/5.5	2.5	5.5	132	300	220	152	-	-	-	-	721	1120	23.9	62.9	696	1095	22.8	61.8
EVMS(L)5 14/5.5	2.5	5.5	132	300	220	152	-	-	-	-	749	1148	24.4	63	724	1123	23.3	62.3
EVMS(L)5 15/5.5	2.5	5.5	132	300	220	152	-	-	-	-	777	1176	24.9	63.9	752	1151	23.8	62.8
EVMS(L)5 16/5.5	2.5	5.5	132	300	220	152	-	-	-	-	805	1204	25.5	64.5	780	1179	24.4	63.4
EVMS(L)5 17/7.5	2.5	7.5	132	300	220	152	-	-	-	-	833	1252	26.1	72.1	808	1227	25.0	71.0
EVMS(L)5 19/7.5	2.5	7.5	132	300	220	152	-	-	-	-	889	1308	27	73.0	864	1283	25.9	71.9

1.6 MPa=16 bar; 2.5 MPa=25 bar
- not available model

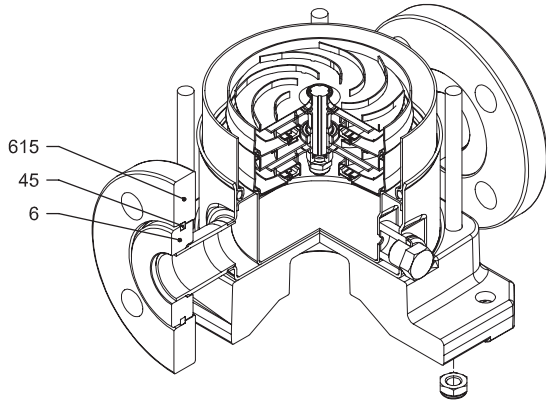
SECTIONAL VIEW
EVMS(L)5

EVMS(L)5

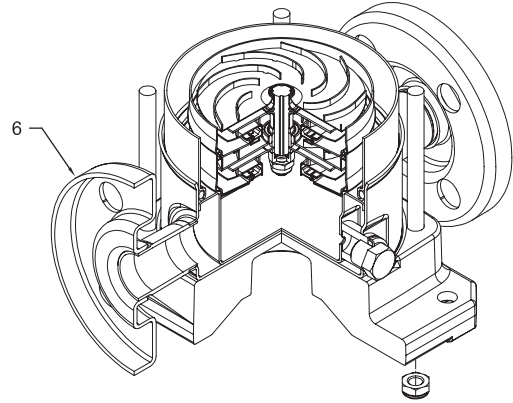


with Oval flange (N)

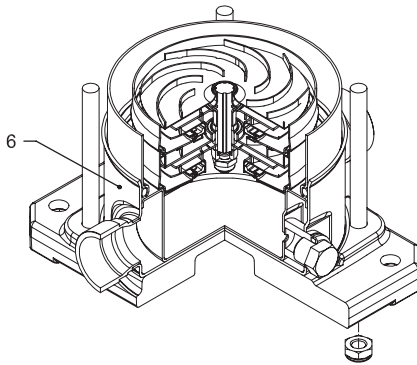
PIPE CONNECTION EVMS(L)5



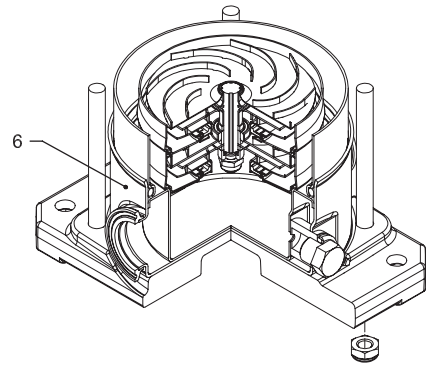
with Loose round flange (LF)



with Round flange (F)



with Victaulic® connection (V)



with Clamp connection (C)

SECTIONAL TABLE
EVMS(L)5

N°	PART NAME	MATERIAL		DIMENSIONS	STANDARD
		EVMS	EVMSL		
4	Casing cover	EN 1.4301 (AISI 304)	EN 1.4404 (AISI 316L)		
5-1	Suction casing	EN 1.4301 (AISI 304)	EN 1.4404 (AISI 316L)		
5-2	Intermediate casing	EN 1.4301 (AISI 304)	EN 1.4404 (AISI 316L)		
5-3	Intermediate casing with bearing	EN 1.4301 (AISI 304)	EN 1.4404 (AISI 316L)		
5-4	Discharge casing	EN 1.4301 (AISI 304)	EN 1.4404 (AISI 316L)		
6	Bottom casing	EN 1.4301 (AISI 304)	EN 1.4404 (AISI 316L)		
7	Outer casing	EN 1.4301 (AISI 304)	EN 1.4404 (AISI 316L)		
21	Impeller	EN 1.4301 (AISI 304)	EN 1.4404 (AISI 316L)		
31	Shaft	EN 1.4301 (AISI 304) - EN 1.4462 (AISI 329A)	EN 1.4404 (AISI 316L) - EN 1.4462 (AISI 329A)		
32-1	Adjuster Key	EN 1.4301 (AISI 304)			
43-2	Shaft sleeve (intermediate)	EN 1.4301 (AISI 304)	EN 1.4404 (AISI 316L)		
43-3	Shaft sleeve (bearing)	EN 1.4301 (AISI 304)	EN 1.4404 (AISI 316L)		
43-4	Shaft sleeve (adjustment)	EN 1.4404 (AISI 316L)			
43-5	Shaft sleeve (last stage)	EN 1.4301 (AISI 304)	EN 1.4404 (AISI 316L)		
44-1	Shaft sleeve bearing	Tungsten carbide			
45	Flange holder	EN 1.4301 (AISI 304)			
46	Ring (mechanical seal)	EN 1.4404 (AISI 316L)			
47	Ring holder	EN 1.4301 (AISI 304)	EN 1.4404 (AISI 316L)		
48	Impeller nut	EN 1.4301 (AISI 304) with inox insert	EN 1.4401 (AISI 316) with inox insert	M8	
52-1	Sleeve bearing	Tungsten carbide			
75	O-Ring (priming plug)	EPDM / FPM		Ø12.37x2.62	OR 3050
75-1	O-Ring (drainage plug)	EPDM / FPM			
107	Liner ring	EN 1.4301 (AISI 304) + PPS	EN 1.4404 (AISI 316L) + PPS		
111	Mechanical seal	see pages 6-7			
111-3	Mechanical seal seat	EN 1.4308 (ASTM CF8)	EN 1.4408 (ASTM CF8M)		
111-4	Seal holder	EN 1.4301 (AISI 304)			
111-5	Mechanical seal cartridge sleeve	EN 1.4301 (AISI 304)	EN 1.4404 (AISI 316L)		
115-1	O-Ring (outer casing)	EPDM / FPM		Ø129.54x5.34	OR 6945
115-3	O-Ring	EPDM / FPM			
115-4	O-Ring (cartridge sleeve)	EPDM / FPM		Ø11.91x2.62	OR 4093
115-5	O-Ring (seal flange)	EPDM / FPM		Ø32.99x2.62	OR 4175
120-1	Tie-rod	EN 1.4057 (AISI 431)		M10	
120-3	Screw (seal flange)	A2-70		M4x10	ISO 4762
120-6	Screw (pump coupling)	up to 4.0 kW above 5.5 kW	Galvanized steel	M6x25 M8x20	ISO 4762 ISO 4762
120-11	Screw (counterflange)	A2-70			
120-13	Screw for motor	MEC 71-80 MEC 90-100-112 MEC 132	Galvanized steel 8.8 strength class ISO 898/1	M6x20 M8x20 M12x40	ISO 4017 ISO 4017 ISO 4017
128-1	Nut (tie rod)	A2-70		M10	ISO 4032
128-3	Nut (motor)	MEC 132	Galvanized steel	M12	ISO 4032
128-5	Nut (tie rod)	A2-70		M10	UNI 7474
128-6	Nut (aluminium coupling)	MEC 71-80-90-100-112	Galvanized steel	M6	ISO 4032
130-1	Set screw	EN 1.4301 (AISI 304)		M5x8	ISO 4026
130-2	Screw for coupling guard	A2-70		M5x6	UNI 7687
131-1	Pin for shaft	Carbon Steel		Ø4x32	ISO 2338
135-1	Washer (tie rod)	EN 1.4301 (AISI 304)		Ø10.5x21x2	ISO 7089
135-6	Washer (aluminium coupling)	up to 4.0 kW	Carbon Steel	Ø6	
137-1	Impeller spacer	EN 1.4301 (AISI 304)	EN 1.4404 (AISI 316L)		
140	Coupling	up to 4.0 kW above 5.5 kW	Die cast Aluminium EN AB-AISI11Cu2 (Fe) Cast Iron		
160	Base	Die cast Aluminium EN AB-AISI11Cu2 (Fe)			
162	Motor bracket	Cast iron EN-GJL-250			
212	Priming plug	EN 1.4301 (AISI 304)	EN 1.4404 (AISI 316L)	G 3/8	
212-1	Drainage plug	EN 1.4301 (AISI 304)	EN 1.4404 (AISI 316L)	G 3/8	
212-2	Venting plug	EN 1.4404 (AISI 316L)			
219	Counter flange	flange type: N flange type: LF-F-V-C	EN 1.4308 (ASTM CF8) EN 1.4301 (AISI 304)	EN 1.4408 (ASTM CF8M) EN 1.4404 (AISI 316L)	
245	Coupling guard	EN 1.4301 (AISI 304)			
273-1	Washer (drainage plug)	EN 1.4301 (AISI 304)	EN 1.4404 (AISI 316L)		
615	Flange	Nodular Cast Iron			

QUANTITY FOR MODEL EVMS(L)5

Pump Type	N°																															
	4	5-1	52	53	54	6	7	21	31***	32-1	43-2	43-3	43-4	43-5	44-1	45**	46	47	48	52-1	75	75-1	107	111	111-3	111-4	111-5	115-1	115-2	115-3*	115-4	115-5
EVMS(L)5 2/0.55	1	1	/	1	1	1	1	2	1	1	1	1	1	/	1	4	2	1	1	1	1	2	2	1	1	1	1	2	2	1	1	1
EVMS(L)5 3/1.1	1	1	1	1	1	1	1	3	1	1	3	1	2	1	1	4	2	1	1	1	1	2	3	1	1	1	1	1	2	2	1	1
EVMS(L)5 4/1.5	1	1	2	1	1	1	1	4	1	1	5	1	1	/	1	4	2	1	1	1	1	2	4	1	1	1	1	2	2	1	1	
EVMS(L)5 5/2.2	1	1	3	1	1	1	1	5	1	1	7	1	1	/	1	4	2	1	1	1	1	2	5	1	1	1	1	2	2	1	1	
EVMS(L)5 6/2.2	1	1	4	1	1	1	1	6	1	1	9	1	2	1	1	4	2	1	1	1	1	2	6	1	1	1	1	2	2	1	1	
EVMS(L)5 7/3.0	1	1	5	1	1	1	1	7	1	1	11	1	1	/	1	4	2	1	1	1	1	2	7	1	1	1	1	2	2	1	1	
EVMS(L)5 8/3.0	1	1	6	1	1	1	1	8	1	1	13	1	1	/	1	4	2	1	1	1	1	2	8	1	1	1	1	2	2	1	1	
EVMS(L)5 9/3.0	1	1	7	1	1	1	1	9	1	1	15	1	1	/	1	4	2	1	1	1	1	2	9	1	1	1	1	2	2	1	1	
EVMS(L)5 10/4.0	1	1	8	1	1	1	1	10	1	1	17	1	1	/	1	4	2	1	1	1	1	2	10	1	1	1	1	2	2	1	1	
EVMS(L)5 11/4.0	1	1	8	2	1	1	1	11	1	1	17	2	2	/	2	4	2	1	1	2	1	2	11	1	1	1	1	2	2	1	1	
EVMS(L)5 12/4.0	1	1	9	2	1	1	1	12	1	1	19	2	2	1	2	4	2	1	1	2	1	2	12	1	1	1	1	2	2	1	1	
EVMS(L)5 13/5.5	1	1	10	2	1	1	1	13	1	1	21	2	2	/	2	4	2	1	1	2	1	2	13	1	1	1	1	2	/	1	1	
EVMS(L)5 14/5.5	1	1	11	2	1	1	1	14	1	1	23	2	2	/	2	4	2	1	1	2	1	2	14	1	1	1	1	2	/	1	1	
EVMS(L)5 15/5.5	1	1	12	2	1	1	1	15	1	1	25	2	3	1	2	4	2	1	1	2	1	2	15	1	1	1	1	2	/	1	1	
EVMS(L)5 16/5.5	1	1	13	2	1	1	1	16	1	1	27	2	2	/	2	4	2	1	1	2	1	2	16	1	1	1	1	2	/	1	1	
EVMS(L)5 17/7.5	1	1	14	2	1	1	1	17	1	1	29	2	2	/	2	4	2	1	1	2	1	2	17	1	1	1	1	2	/	1	1	
EVMS(L)5 19/7.5	1	1	16	2	1	1	1	19	1	1	33	2	2	/	2	4	2	1	1	2	1	2	19	1	1	1	1	2	/	1	1	

Pump Type	N°																								
	120-1	120-3	120-6	120-11*	120-13	128-1	128-3	128-5	128-6	130-1	130-2	131-1	135-1	135-6	137-1	140	160	162	212	212-1	212-2	219*	245	273-1	615**
EVMS(L)5 2/0.55	4	4	4	4	4	4	/	4	4	3	4	1	4	4	1	2	1	1	1	2	1	2	2	2	2
EVMS(L)5 3/1.1	4	4	4	4	4	4	/	4	4	3	4	1	4	4	1	2	1	1	1	2	1	2	2	2	2
EVMS(L)5 4/1.5	4	4	4	4	4	4	/	4	4	3	4	1	4	4	1	2	1	1	1	2	1	2	2	2	2
EVMS(L)5 5/2.2	4	4	4	4	4	4	/	4	4	3	4	1	4	4	1	2	1	1	1	2	1	2	2	2	2
EVMS(L)5 6/2.2	4	4	4	4	4	4	/	4	4	3	4	1	4	4	1	2	1	1	1	2	1	2	2	2	2
EVMS(L)5 7/3.0	4	4	4	4	4	4	/	4	4	3	4	1	4	4	1	2	1	1	1	2	1	2	2	2	2
EVMS(L)5 8/3.0	4	4	4	4	4	4	/	4	4	3	4	1	4	4	1	2	1	1	1	2	1	2	2	2	2
EVMS(L)5 9/3.0	4	4	4	4	4	4	/	4	4	3	4	1	4	4	1	2	1	1	1	2	1	2	2	2	2
EVMS(L)5 10/4.0	4	4	4	4	4	4	/	4	4	3	4	1	4	4	1	2	1	1	1	2	1	2	2	2	2
EVMS(L)5 11/4.0	4	4	4	4	4	4	/	4	4	3	4	1	4	4	1	2	1	1	1	2	1	2	2	2	2
EVMS(L)5 12/4.0	4	4	4	4	4	4	/	4	4	3	4	1	4	4	1	2	1	1	1	2	1	2	2	2	2
EVMS(L)5 13/5.5	4	4	4	/	4	4	4	4	4	3	4	1	4	4	1	2	1	1	1	2	1	/	2	2	2
EVMS(L)5 14/5.5	4	4	4	/	4	4	4	4	4	3	4	1	4	4	1	2	1	1	1	2	1	/	2	2	2
EVMS(L)5 15/5.5	4	4	4	/	4	4	4	4	4	3	4	1	4	4	1	2	1	1	1	2	1	/	2	2	2
EVMS(L)5 16/5.5	4	4	4	/	4	4	4	4	4	3	4	1	4	4	1	2	1	1	1	2	1	/	2	2	2
EVMS(L)5 17/7.5	4	4	4	/	4	4	4	4	4	3	4	1	4	4	1	2	1	1	1	2	1	/	2	2	2
EVMS(L)5 19/7.5	4	4	4	/	4	4	4	4	4	3	4	1	4	4	1	2	1	1	1	2	1	/	2	2	2

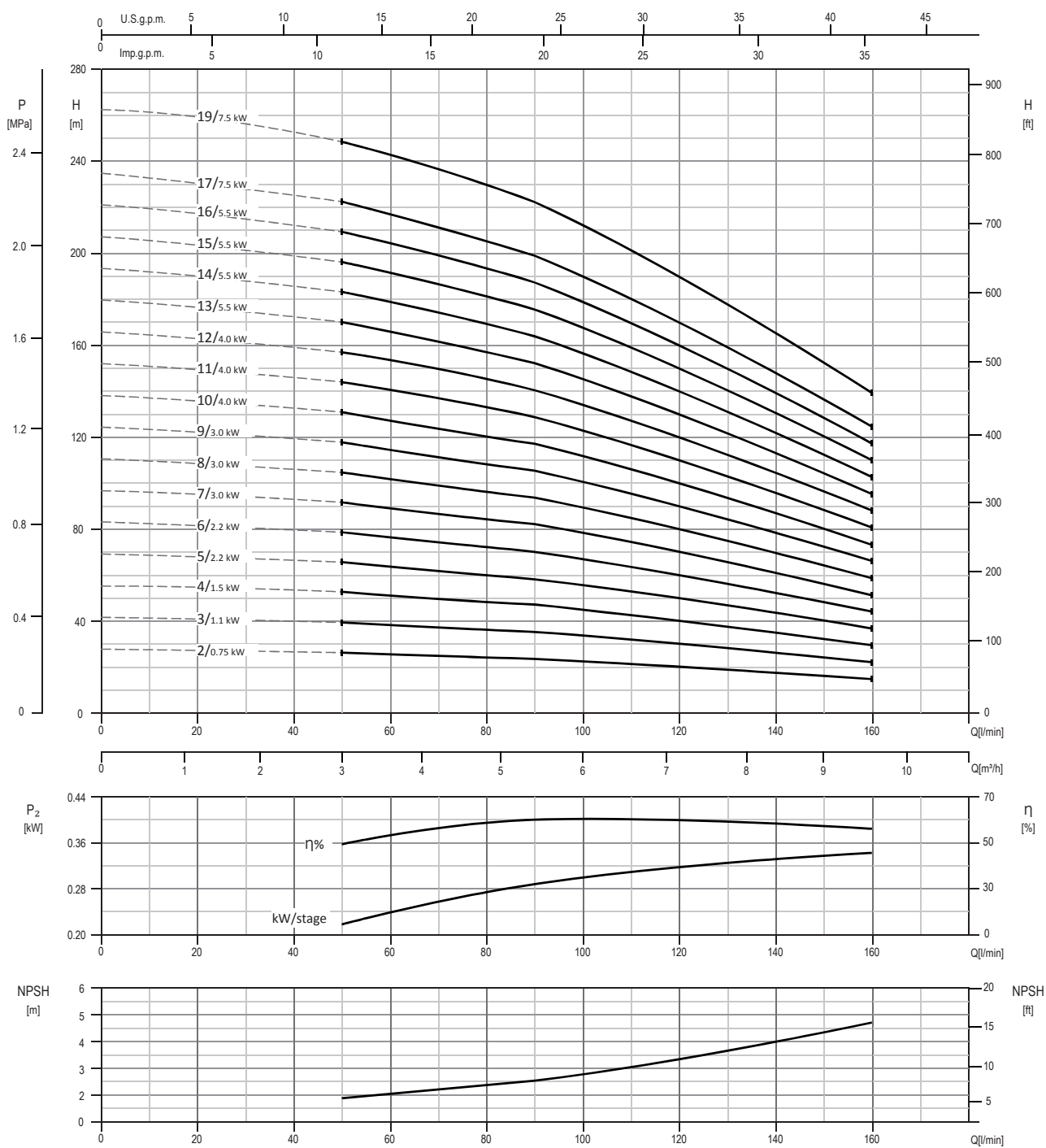
* only for Oval flange (N)

** only for Loose round flange (LF)

** shaft in EN 1.4462 (AISI 329A)

128-3: only for motor above 5.5 kW (see drawing pag.54)

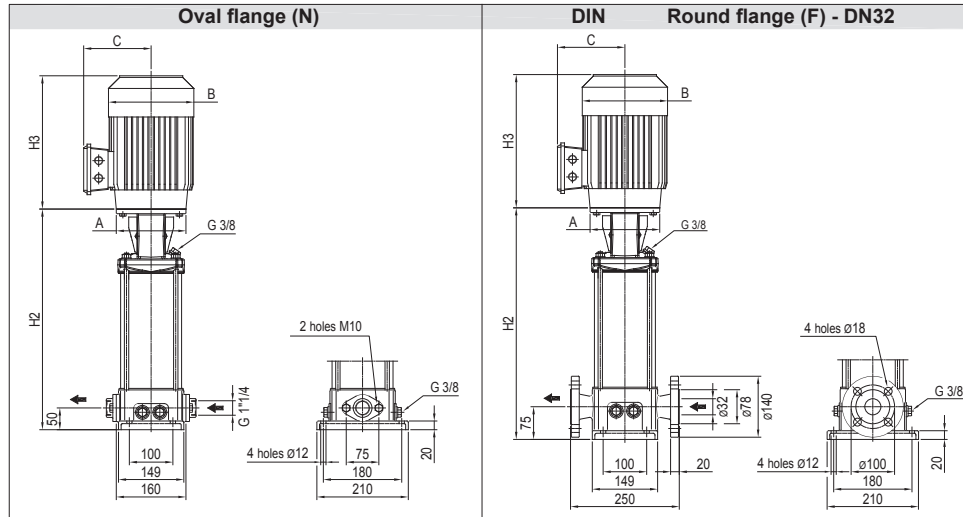
PERFORMANCE CURVE
EVMSG5



Test standard: ISO 9906:2012 - Grade 3B

TECHNICAL DATA EVMSG5

Dimensional sketch

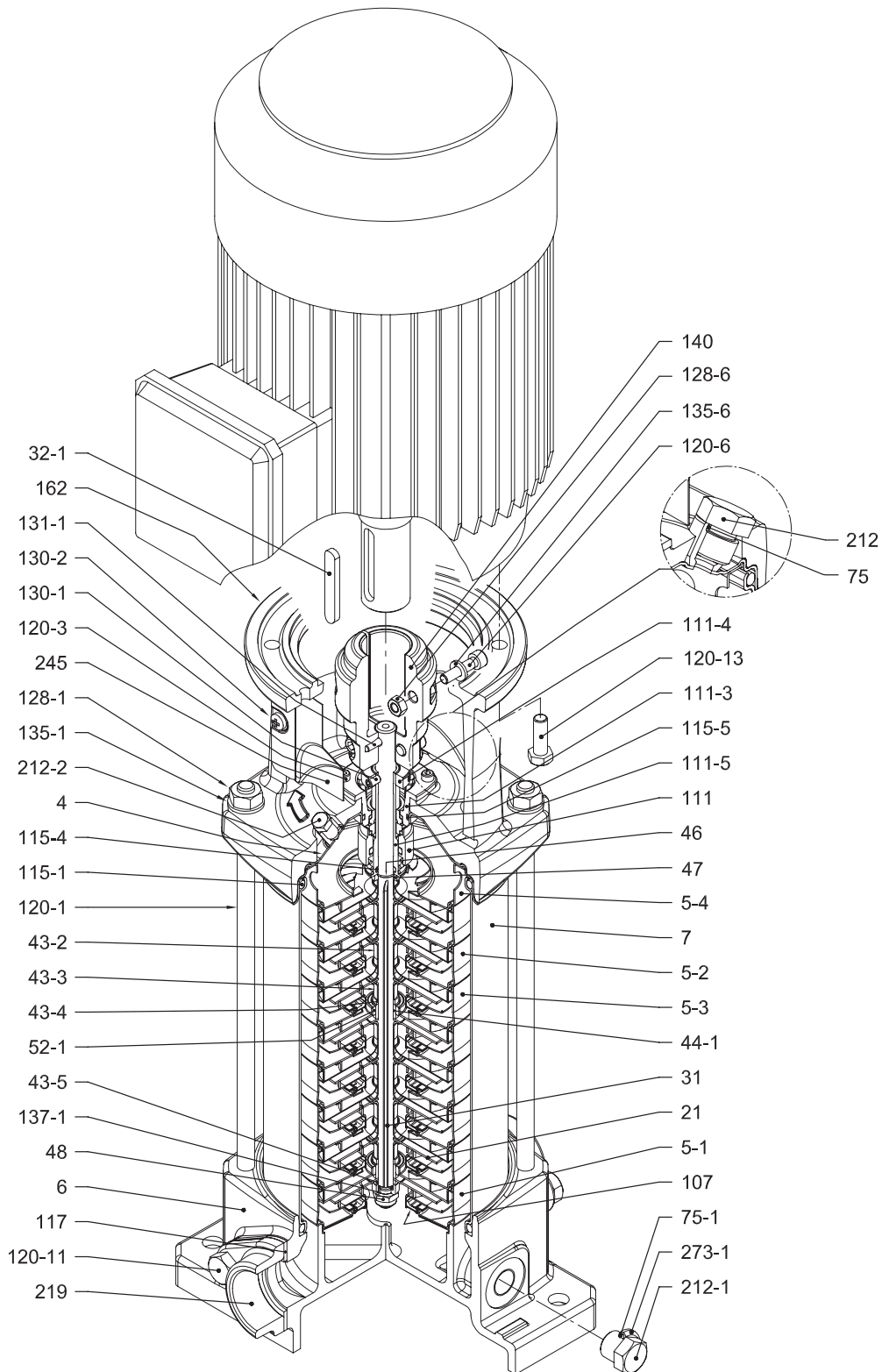


Dimensions [mm] and Weights [Kg]

Pump Type	P _{max} [MPa]	kW	Motor			Oval flange (N)				Round flange (F)			
			Size	A	3 ~ Ø B C	H2	H2+H3	Weight Pump	Weight Pump + Motor	H2	H2+H3	Weight Pump	Weight Pump + Motor
EVMSG5 2/0.75	1.6	0.75	80	120	141 102	274	507	10.9	19.4	299	532	15.9	24.4
EVMSG5 3/1.1	1.6	1.1	80	120	141 102	302	546	11.4	21.4	327	571	16.4	26.4
EVMSG5 4/1.5	1.6	1.5	90	140	160 119	340	631	12.1	25.6	365	656	17.1	30.6
EVMSG5 5/2.2	1.6	2.2	90	140	160 119	368	659	12.6	27.6	393	684	17.6	32.6
EVMSG5 6/2.2	1.6	2.2	90	140	160 119	396	687	13.1	28.1	421	712	18.1	33.1
EVMSG5 7/3.0	1.6	3.0	100	160	176 123	434	776	13.8	35.8	459	801	18.8	40.8
EVMSG5 8/3.0	1.6	3.0	100	160	176 123	462	804	14.1	36.1	487	829	19.1	41.1
EVMSG5 9/3.0	1.6	3.0	100	160	176 123	490	832	14.6	36.6	515	857	19.6	41.6
EVMSG5 10/4.0	1.6	4.0	112	160	193 138	518	882	15.1	43.6	543	907	20.1	48.6
EVMSG5 11/4.0	1.6	4.0	112	160	193 138	546	910	15.8	44.3	571	935	20.8	49.3
EVMSG5 12/4.0	1.6	4.0	112	160	193 138	574	938	16.9	45.4	599	963	21.9	50.4
EVMSG5 13/5.5	2.5	5.5	132	300	220 152	-	-	-	-	721	1120	29	68.0
EVMSG5 14/5.5	2.5	5.5	132	300	220 152	-	-	-	-	749	1148	29.5	68.5
EVMSG5 15/5.5	2.5	5.5	132	300	220 152	-	-	-	-	777	1176	30	69.0
EVMSG5 16/5.5	2.5	5.5	132	300	220 152	-	-	-	-	805	1204	30.6	69.6
EVMSG5 17/7.5	2.5	7.5	132	300	220 152	-	-	-	-	833	1252	31.2	77.2
EVMSG5 19/7.5	2.5	7.5	132	300	220 152	-	-	-	-	889	1308	32.1	78.1

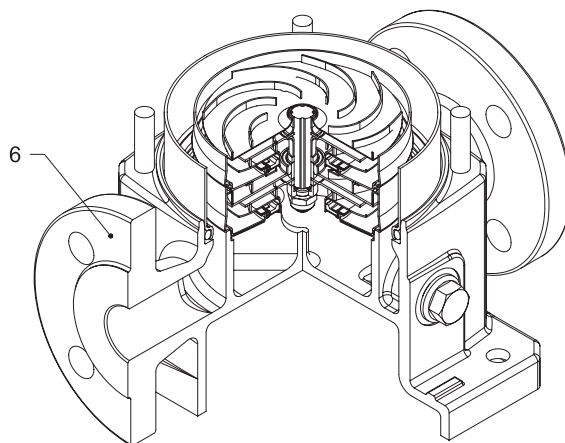
1.6 MPa=16 bar; 2.5 MPa=25 bar
- not available model

SECTIONAL VIEW
EVMSG5



with Oval flange (N)

PIPE CONNECTION EVMSG5



with Round flange (F)

SECTIONAL TABLE
EVMSG5

N°	PART NAME	MATERIAL EVMSG	DIMENSIONS	STANDARD
4	Casing cover	EN 1.4301 (AISI 304)		
5-1	Suction casing	EN 1.4301 (AISI 304)		
5-2	Intermediate casing	EN 1.4301 (AISI 304)		
5-3	Intermediate casing with bearing	EN 1.4301 (AISI 304)		
5-4	Discharge casing	EN 1.4301 (AISI 304)		
6	Bottom casing	Cast Iron EN GJL-250		
7	Outer casing	EN 1.4301 (AISI 304)		
21	Impeller	EN 1.4301 (AISI 304)		
31	Shaft	EN 1.4301 (AISI 304) - EN 1.4462 (AISI 329A)		
32-1	Adjuster key	EN 1.4301 (AISI 304)		
43-2	Shaft sleeve (intermediate)	EN 1.4301 (AISI 304)		
43-3	Shaft sleeve (bearing)	EN 1.4301 (AISI 304)		
43-4	Shaft sleeve (adjustment)	EN 1.4404 (AISI 316L)		
43-5	Shaft sleeve (last stage)	EN 1.4301 (AISI 304)		
44-1	Shaft sleeve bearing	Tungsten carbide		
46	Ring (mechanical seal)	EN 1.4404 (AISI 316L)		
47	Ring holder	EN 1.4404 (AISI 316L)		
48	Impeller nut	EN 1.4301 (AISI 304) with inox insert	M8	
52-1	Sleeve bearing	Tungsten carbide		
75	O-Ring (priming plug)	EPDM / FPM	Ø12.37x2.62	OR 3050
75-1	O-Ring (drainage plug)	EPDM / FPM		
107	Liner ring	EN 1.4301 (AISI 304) + PPS		
111	Mechanical seal	see pages 6-7		
111-3	Mechanical seal seat	EN 1.4308 (ASTM CF8)		
111-4	Seal holder	EN 1.4301 (AISI 304)		
111-5	Mechanical seal cartridge sleeve	EN 1.4301 (AISI 304)		
115-1	O-Ring (outer casing)	EPDM / FPM	Ø129.54x5.34	OR 6945
115-4	O-Ring (cartridge sleeve)	EPDM / FPM	Ø11.91x2.62	OR 4093
115-5	O-Ring (seal flange)	EPDM / FPM	Ø32.99x2.62	OR 4175
117	Flange gasket	EPDM / FPM		
120-1	Tie-rod	EN 1.4057 (AISI 431)	M10	
120-3	Screw (seal flange)	A2-70	M4x10	ISO 4762
120-6	Screw (pump coupling)	Galvanized steel	up to 4.0 kW above 5.5 kW	M6x25 ISO 4762 M8x20 ISO 4762
120-11	Screw (counterflange)		A2-70	
120-13	Screw for motor	Galvanized steel 8.8 strength class ISO 898/1	MEC 71-80 MEC 90-100-112 MEC 132	M6x20 ISO 4017 M8x20 ISO 4017 M12x40 ISO 4017
128-1	Nut (tie rod)		A2-70	M10 ISO 4032
128-3	Nut (motor)		Galvanized steel	M12 ISO 4032
128-6	Nut (aluminium coupling)	Galvanized steel	MEC 71-80-90-100-112	M6 ISO 4032
130-1	Set screw	EN 1.4301 (AISI 304)		M5x8 ISO 4026
130-2	Screw for coupling guard	A2-70		M5x6 UNI 7687
131-1	Pin for shaft	Carbon Steel		Ø4x32 ISO 2338
135-1	Washer (tie rod)	EN 1.4301 (AISI 304)		Ø10.5x21x2 ISO 7089
135-6	Washer (aluminium coupling)	Carbon Steel	up to 4.0 kW	Ø6
137-1	Impeller spacer	EN 1.4301 (AISI 304)		
140	Coupling	Die cast Aluminium EN AB-AISI11Cu2 (Fe) Cast Iron	up to 4.0 kW above 5.5 kW	
162	Motor bracket	Cast iron EN-GJL-250		
212	Priming plug	EN 1.4301 (AISI 304)		G 3/8
212-1	Drainage plug	EN 1.4301 (AISI 304)		G 3/8
212-2	Venting plug	EN 1.4404 (AISI 316L)		
219	Counter flange	Galvanized steel	flange type: N flange type: F	
245	Coupling guard	Cast Iron EN-GJL-250		
273-1	Washer (drainage plug)	EN 1.4301 (AISI 304)		

QUANTITY FOR MODEL EVMSG5

Pump Type	N°																												
	4	5-1	52	53	54	6	7	21	31***	32-1	43-2	43-3	43-4	43-5	44-1	46	47	48	52-1	75	75-1	107	111	111-3	111-4	111-5	115-1	115-4	115-5
EVMSG5 2/0.55	1	1	/	1	1	1	1	2	1	1	1	1	1	/	1	2	1	1	1	1	4	2	1	1	1	1	2	1	1
EVMSG5 3/1.1	1	1	1	1	1	1	1	3	1	1	3	1	2	1	1	2	1	1	1	1	4	3	1	1	1	1	2	1	1
EVMSG5 4/1.5	1	1	2	1	1	1	1	4	1	1	5	1	1	/	1	2	1	1	1	1	4	4	1	1	1	1	2	1	1
EVMSG5 5/2.2	1	1	3	1	1	1	1	5	1	1	7	1	1	/	1	2	1	1	1	1	4	5	1	1	1	1	2	1	1
EVMSG5 6/2.2	1	1	4	1	1	1	1	6	1	1	9	1	2	1	1	2	1	1	1	1	4	6	1	1	1	1	2	1	1
EVMSG5 7/3.0	1	1	5	1	1	1	1	7	1	1	11	1	1	/	1	2	1	1	1	1	4	7	1	1	1	1	2	1	1
EVMSG5 8/3.0	1	1	6	1	1	1	1	8	1	1	13	1	1	/	1	2	1	1	1	1	4	8	1	1	1	1	2	1	1
EVMSG5 9/3.0	1	1	7	1	1	1	1	9	1	1	15	1	1	1	1	2	1	1	1	1	4	9	1	1	1	1	2	1	1
EVMSG5 10/4.0	1	1	8	1	1	1	1	10	1	1	17	1	1	/	1	2	1	1	1	1	4	10	1	1	1	1	2	1	1
EVMSG5 11/4.0	1	1	8	2	1	1	1	11	1	1	17	2	2	/	2	2	1	1	2	1	4	11	1	1	1	1	2	1	1
EVMSG5 12/4.0	1	1	9	2	1	1	1	12	1	1	19	2	2	1	2	2	1	1	2	1	4	12	1	1	1	1	2	1	1
EVMSG5 13/5.5	1	1	10	2	1	1	1	13	1	1	21	2	2	/	2	2	1	1	2	1	4	13	1	1	1	1	2	1	1
EVMSG5 14/5.5	1	1	11	2	1	1	1	14	1	1	23	2	2	/	2	2	1	1	2	1	4	14	1	1	1	1	2	1	1
EVMSG5 15/5.5	1	1	12	2	1	1	1	15	1	1	25	2	3	1	2	2	1	1	2	1	4	15	1	1	1	1	2	1	1
EVMSG5 16/5.5	1	1	13	2	1	1	1	16	1	1	27	2	2	/	2	2	1	1	2	1	4	16	1	1	1	1	2	1	1
EVMSG5 17/7.5	1	1	14	2	1	1	1	17	1	1	29	2	2	/	2	2	1	1	2	1	4	17	1	1	1	1	2	1	1
EVMSG5 19/7.5	1	1	16	2	1	1	1	19	1	1	33	2	2	/	2	2	1	1	2	1	4	19	1	1	1	1	2	1	1

Pump Type	N°																						
	117*	120-1	120-3	120-6	120-11*	120-13	128-1	128-3	128-6	130-1	130-2	131-1	135-1	135-6	137-1	140	162	212	212-1	212-2	219*	245	273-1
EVMSG5 2/0.55	2	4	4	4	4	4	4	/	4	3	4	1	4	4	1	2	1	1	4	1	2	2	4
EVMSG5 3/1.1	2	4	4	4	4	4	4	/	4	3	4	1	4	4	1	2	1	1	4	1	2	2	4
EVMSG5 4/1.5	2	4	4	4	4	4	4	/	4	3	4	1	4	4	1	2	1	1	4	1	2	2	4
EVMSG5 5/2.2	2	4	4	4	4	4	4	/	4	3	4	1	4	4	1	2	1	1	4	1	2	2	4
EVMSG5 6/2.2	2	4	4	4	4	4	4	/	4	3	4	1	4	4	1	2	1	1	4	1	2	2	4
EVMSG5 7/3.0	2	4	4	4	4	4	4	/	4	3	4	1	4	4	1	2	1	1	4	1	2	2	4
EVMSG5 8/3.0	2	4	4	4	4	4	4	/	4	3	4	1	4	4	1	2	1	1	4	1	2	2	4
EVMSG5 9/3.0	2	4	4	4	4	4	4	/	4	3	4	1	4	4	1	2	1	1	4	1	2	2	4
EVMSG5 10/4.0	2	4	4	4	4	4	4	/	4	3	4	1	4	4	1	2	1	1	4	1	2	2	4
EVMSG5 11/4.0	2	4	4	4	4	4	4	/	4	3	4	1	4	4	1	2	1	1	4	1	2	2	4
EVMSG5 12/4.0	2	4	4	4	4	4	4	/	4	3	4	1	4	4	1	2	1	1	4	1	2	2	4
EVMSG5 13/5.5	/	4	4	4	/	4	4	4	4	3	4	1	4	4	1	2	1	1	4	1	/	2	4
EVMSG5 14/5.5	/	4	4	4	/	4	4	4	4	3	4	1	4	4	1	2	1	1	4	1	/	2	4
EVMSG5 15/5.5	/	4	4	4	/	4	4	4	4	3	4	1	4	4	1	2	1	1	4	1	/	2	4
EVMSG5 16/5.5	/	4	4	4	/	4	4	4	4	3	4	1	4	4	1	2	1	1	4	1	/	2	4
EVMSG5 17/7.5	/	4	4	4	/	4	4	4	4	3	4	1	4	4	1	2	1	1	4	1	/	2	4
EVMSG5 19/7.5	/	4	4	4	/	4	4	4	4	3	4	1	4	4	1	2	1	1	4	1	/	2	4

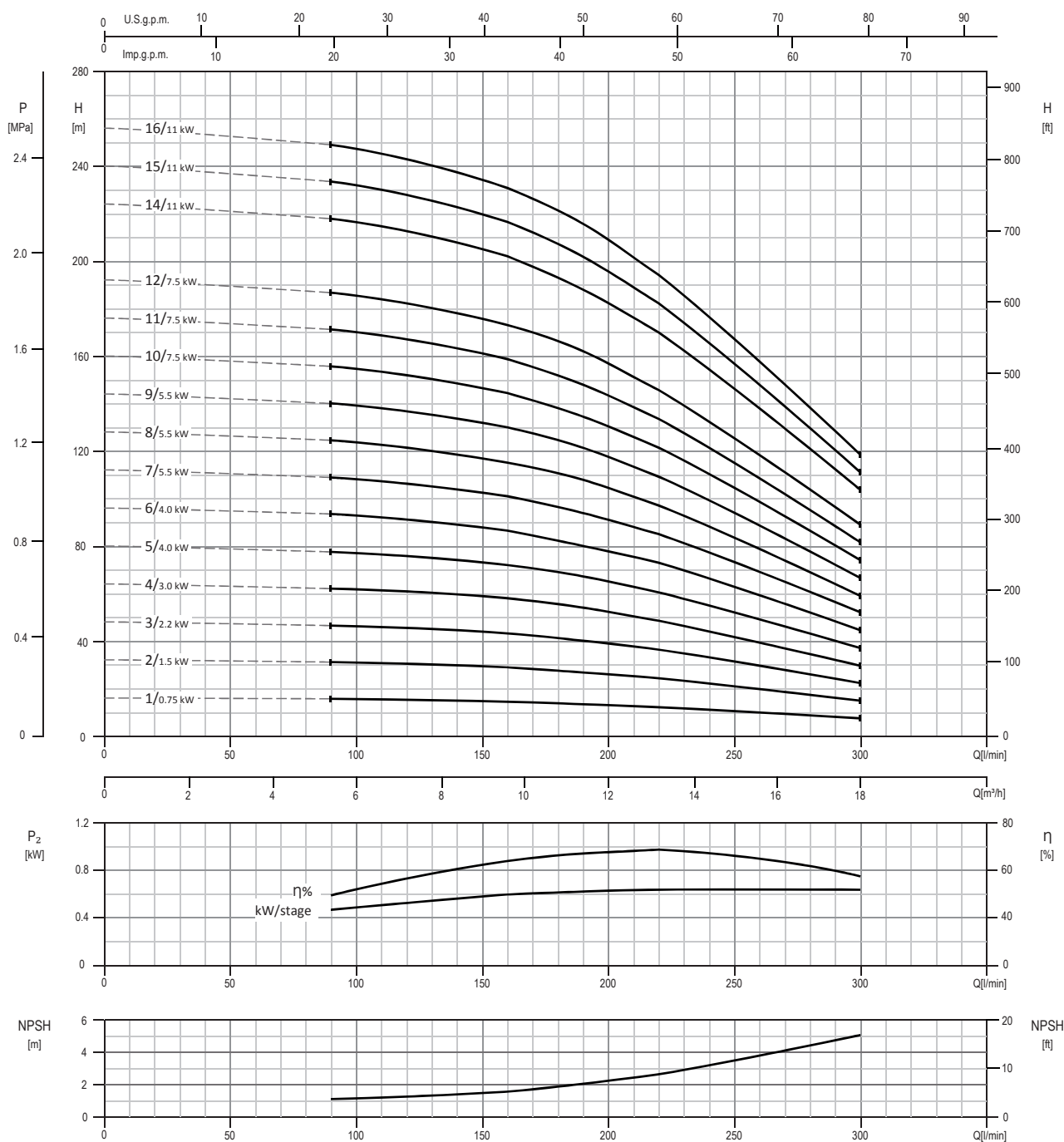
* only for Oval flange (N)

** shaft in EN 1.4462 (AISI 329A)

128-3: only for motor above 5.5 kW (see drawing pag.54)

PERFORMANCE CURVE
EVMS(L)10

EVMS(L)10

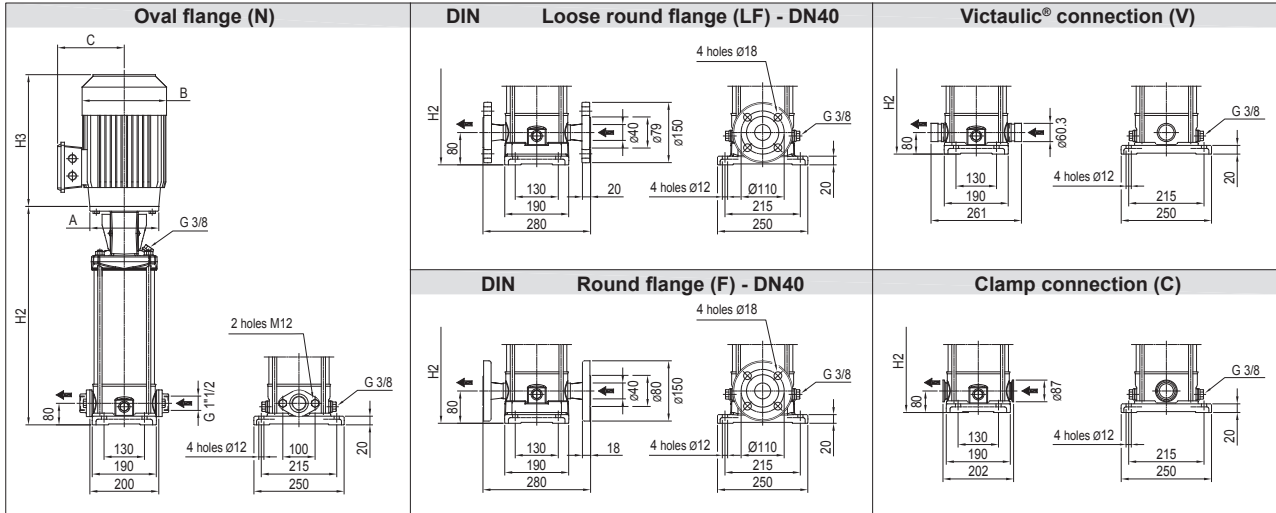


Test standard: ISO 9906:2012 - Grade 3B

TECHNICAL DATA EVMS(L)10

2.11

Dimensional sketch



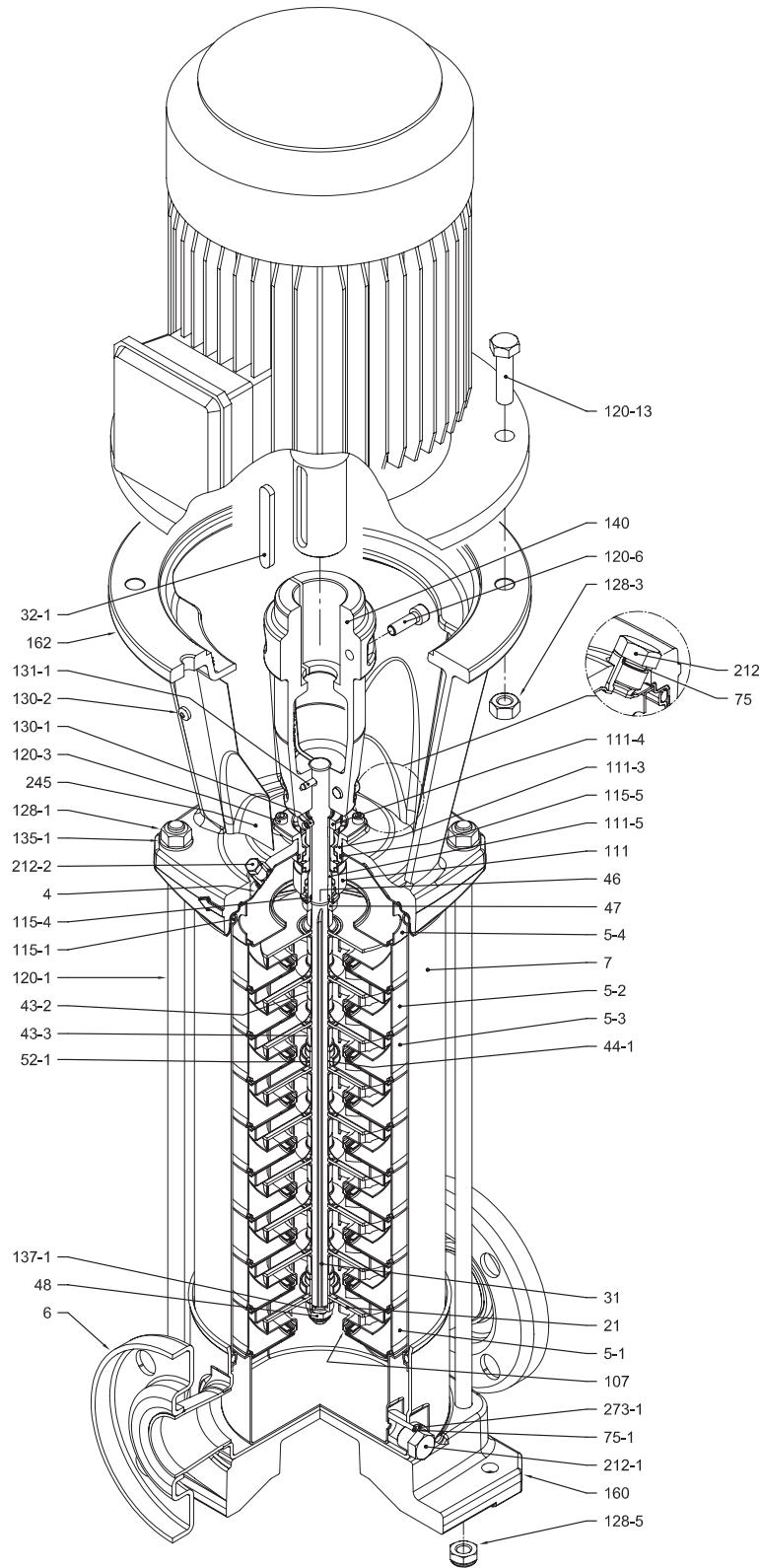
Dimensions [mm] and Weights [Kg]

Pump Type	Pmax [MPa]	Motor			Oval flange (N)				Loose round flange (LF) Round flange (F)				Victaulic® connection (V) Clamp connection (C)					
		kW	Size	A Ø	3 ~ B C	H2	H2+H3	Weight Pump	Weight Pump + Motor	H2	H2+H3	Weight Pump	Weight Pump + Motor	H2	H2+H3	Weight Pump	Weight Pump + Motor	
EVMS(L)10 1/0.75	1.6	0.75	80	120	141	102	343	576	19.7	28.2	343	576	20.7	29.2	343	576	19.6	28.1
EVMS(L)10 2/1.5	1.6	1.5	90	140	160	119	353	644	19.8	33.3	353	644	20.9	34.4	353	644	19.8	33.3
EVMS(L)10 3/2.2	1.6	2.2	90	140	160	119	383	674	20.7	35.7	383	674	21.7	36.7	383	674	20.7	35.7
EVMS(L)10 4/3.0	1.6	3.0	100	160	176	123	423	765	21.7	43.7	423	765	22.7	44.7	423	765	21.6	43.6
EVMS(L)10 5/4.0	1.6	4.0	112	160	193	138	453	817	22.5	51.0	453	817	23.5	52.0	453	817	22.5	51.0
EVMS(L)10 6/4.0	1.6	4.0	112	160	193	138	483	847	23.3	51.8	483	847	24.4	52.9	483	847	23.3	51.8
EVMS(L)10 7/5.5	1.6	5.5	132	300	220	152	611	1010	31.2	70.2	611	1010	32.3	71.3	611	1010	31.2	70.2
EVMS(L)10 8/5.5	1.6	5.5	132	300	220	152	641	1040	32.4	71.4	641	1040	33.5	72.5	641	1040	32.4	71.4
EVMS(L)10 9/5.5	1.6	5.5	132	300	220	152	671	1070	33.3	72.3	671	1070	34.3	73.3	671	1070	33.2	72.2
EVMS(L)10 10/7.5	1.6	7.5	132	300	220	152	701	1120	34.1	80.1	701	1120	35.1	81.1	701	1120	34.1	80.1
EVMS(L)10 11/7.5	2.5	7.5	132	300	220	152	-	-	-	-	731	1150	36.8	82.8	731	1150	35.7	81.7
EVMS(L)10 12/7.5	2.5	7.5	132	300	220	152	-	-	-	-	761	1180	37.7	83.7	761	1180	36.6	82.6
EVMS(L)10 14/11	2.5	11	160	350	259	180	-	-	-	-	851	1291	47.7	110.2	851	1291	46.6	109.1
EVMS(L)10 15/11	2.5	11	160	350	259	180	-	-	-	-	881	1321	48.6	111.1	881	1321	47.6	110.1
EVMS(L)10 16/11	2.5	11	160	350	259	180	-	-	-	-	911	1351	49.5	112.0	911	1351	48.5	111.0

1.6 MPa=16 bar; 2.5 MPa=25 bar
- not available model

SECTIONAL VIEW
EVMS(L)10

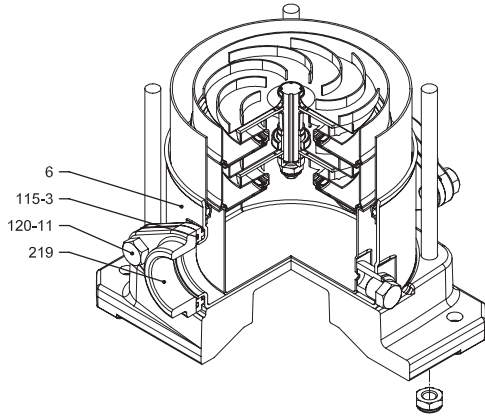
EVMS(L)10



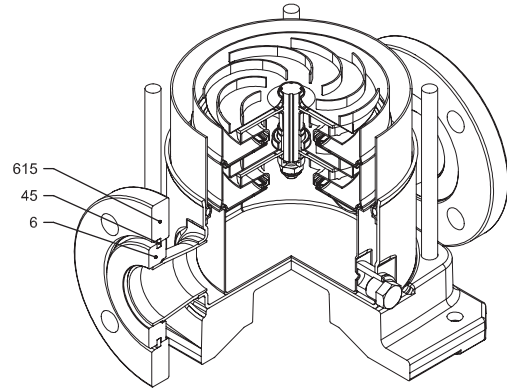
with Round flange (F)

PIPE CONNECTION EVMS(L)10

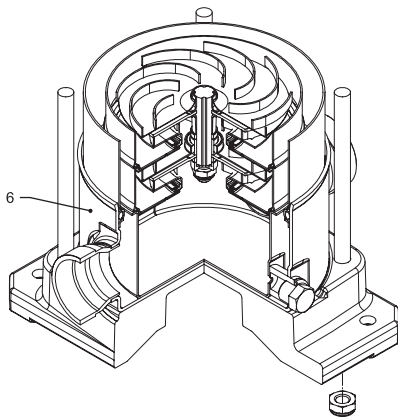
EVMS(L)10



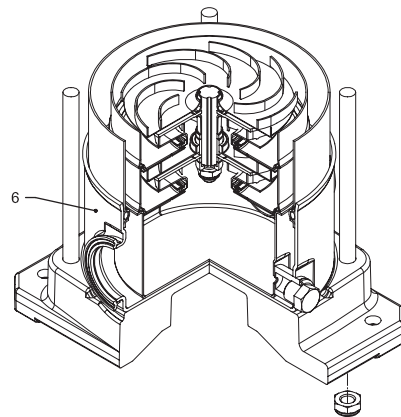
with Oval flange (N)



with Loose round flange (LF)



with Victaulic® connection (V)



with Clamp connection (C)

SECTIONAL TABLE
EVMS(L)10

N°	PART NAME	MATERIAL		DIMENSIONS	STANDARD
		EVMS	EVMSL		
4	Casing cover	EN 1.4301 (AISI 304)	EN 1.4404 (AISI 316L)		
5-1	Suction casing	EN 1.4301 (AISI 304)	EN 1.4404 (AISI 316L)		
5-2	Intermediate casing	EN 1.4301 (AISI 304)	EN 1.4404 (AISI 316L)		
5-3	Intermediate casing with bearing	EN 1.4301 (AISI 304)	EN 1.4404 (AISI 316L)		
5-4	Discharge casing	EN 1.4301 (AISI 304)	EN 1.4404 (AISI 316L)		
6	Bottom casing	EN 1.4301 (AISI 304)	EN 1.4404 (AISI 316L)		
7	Outer casing	EN 1.4301 (AISI 304)	EN 1.4404 (AISI 316L)		
21	Impeller	EN 1.4301 (AISI 304)	EN 1.4404 (AISI 316L)		
31	Shaft	EN 1.4301 (AISI 304)	EN 1.4404 (AISI 316L)		
32-1	Adjuster key	EN 1.4301 (AISI 304)			
43-2	Shaft sleeve (intermediate)	EN 1.4301 (AISI 304)	EN 1.4404 (AISI 316L)		
43-3	Shaft sleeve (bearing + discharge casing)	EN 1.4301 (AISI 304)	EN 1.4404 (AISI 316L)		
44-1	Shaft sleeve bearing	Tungsten carbide			
45	Flange holder	EN 1.4301 (AISI 304)			
46	Ring (mechanical seal)	EN 1.4404 (AISI 316L)			
47	Ring holder	EN 1.4301 (AISI 304)	EN 1.4404 (AISI 316L)		
48	Impeller nut	EN 1.4301 (AISI 304) with inox insert	EN 1.4401 (AISI 316) with inox insert	M10	
52-1	Sleeve bearing	Tungsten carbide			
75	O-Ring (priming plug)	EPDM / FPM		Ø12.37x2.62	OR 3050
75-1	O-Ring (drainage plug)	EPDM / FPM			
107	Liner ring	EN 1.4301 (AISI 304) + PPS	EN 1.4404 (AISI 316L) + PPS		
111	Mechanical seal	see pages 6-7			
111-3	Mechanical seal seat	EN 1.4308 (ASTM CF8)	EN 1.4408 (ASTM CF8M)		
111-4	Seal holder	EN 1.4301 (AISI 304)			
111-5	Mechanical seal cartridge sleeve	EN 1.4301 (AISI 304)	EN 1.4404 (AISI 316L)		
115-1	O-Ring (outer casing)	EPDM / FPM		Ø164.46x5.34	OR 6945
115-3	O-Ring	EPDM / FPM			
115-4	O-Ring (cartridge sleeve)	EPDM / FPM		Ø15.88x2.62	OR 4093
115-5	O-Ring (seal flange)	EPDM / FPM		Ø37.77x2.62	OR 4175
120-1	Tie-rod	EN 1.4057 (AISI 431)		M12	
120-3	Screw	A2-70		M5x12	ISO 4762
120-6	Screw (pump coupling)	up to 4.0 kW from 5.5 kW to 7.5 kW above 11 kW	Galvanized steel	M6x25	ISO 4762
				M8x20	ISO 4762
				M10x30	ISO 4762
120-11	Screw (counterflange)	A2-70			
120-13	Screw for motor	MEC 80 MEC 90-100-112 MEC 132 MEC 160	Galvanized steel 8.8 strength class ISO 898/1	M6x20	ISO 4017
				M8x20	ISO 4017
				M12x40	UNI 5739
				M16x50	ISO 4017
128-1	Nut (tie rod)	A2-70		M12	ISO 4032
128-3	Nut (motor)	MEC 132 MEC 160	Galvanized steel	M12	ISO 4032
				M16	ISO 4032
128-5	Nut (tie rod)	A2-70		M12	UNI 7474
128-6	Nut (aluminium coupling)	MEC 71-80-90-100-112	Galvanized steel	M6	ISO 4032
130-1	Set screw	EN 1.4301 (AISI 304)		M5x8	ISO 4026
130-2	Screw for coupling guard	A2-70		M5x6	UNI 7687
131-1	Pin for shaft	Carbon Steel		Ø5x35	ISO 2338
135-1	Washer (tie rod)	EN 1.4301 (AISI 304)		Ø13x24x2.5	ISO 7089
135-6	Washer (aluminium coupling)	up to 4.0 kW	Carbon Steel	Ø6	
137-1	Impeller spacer	EN 1.4301 (AISI 304)	EN 1.4404 (AISI 316L)		
140	Coupling	up to 4.0 kW above 5.5 kW	Die cast Aluminium EN AB-AISI11 Cu2 (Fe) Cast Iron		
160	Base	Die cast Aluminium EN AB-AISI11 Cu2 (Fe)			
162	Motor bracket	Cast iron EN-GJL-250			
212	Priming plug	EN 1.4301 (AISI 304)	EN 1.4404 (AISI 316L)	G 3/8	
212-1	Drainage plug	EN 1.4301 (AISI 304)	EN 1.4404 (AISI 316L)	G 3/8	
212-2	Venting plug	EN 1.4404 (AISI 316L)			
219	Counter flange	flange type: N	EN 1.4308 (ASTM CF8)	EN 1.4408 (ASTM CF8M)	
		flange type: LF-F-V-C	EN 1.4301 (AISI 304)	EN 1.4404 (AISI 316L)	
245	Coupling guard	EN 1.4301 (AISI 304)			
273-1	Washer (drainage plug)	EN 1.4301 (AISI 304)	EN 1.4404 (AISI 316L)		
615	Flange	Nodular Cast Iron			

QUANTITY FOR MODEL EVMS(L)10

2.11

EVMS(L)10

Pump Type	N°																															
	4	5-1	52	53	54	6	7	21	31	32-1	43-2	43-3	43-6	44-1	45**	46	47	48	52-1	75	75-1	107	111	111-3	111-4	111-5	115-1	115-3*	115-4	115-5	115-5	
EVMS(L)10 1/0.75	1	1	/	1	1	1	1	1	1	1	/	2	1	1	4	2	1	1	1	1	2	1	1	1	1	1	1	2	2	1	1	1
EVMS(L)10 2/1.5	1	1	/	1	1	1	1	2	1	1	/	2	/	1	4	2	1	1	1	1	2	2	1	1	1	1	2	2	1	1	1	
EVMS(L)10 3/2.2	1	1	1	1	1	1	1	3	1	1	1	2	/	1	4	2	1	1	1	1	2	3	1	1	1	1	2	2	1	1	1	
EVMS(L)10 4/3.0	1	1	2	1	1	1	1	4	1	1	2	2	/	1	4	2	1	1	1	1	2	4	1	1	1	1	2	2	1	1	1	
EVMS(L)10 5/4.0	1	1	3	1	1	1	1	5	1	1	3	2	/	1	4	2	1	1	1	1	2	5	1	1	1	1	2	2	1	1	1	
EVMS(L)10 6/4.0	1	1	4	1	1	1	1	6	1	1	4	2	/	1	4	2	1	1	1	1	2	6	1	1	1	1	2	2	1	1	1	
EVMS(L)10 7/5.5	1	1	5	1	1	1	1	7	1	1	5	2	/	1	4	2	1	1	1	1	2	7	1	1	1	1	2	2	1	1	1	
EVMS(L)10 8/5.5	1	1	5	2	1	1	1	8	1	1	5	3	/	2	4	2	1	1	2	1	2	8	1	1	1	1	2	2	1	1	1	
EVMS(L)10 9/5.5	1	1	6	2	1	1	1	9	1	1	6	3	/	2	4	2	1	1	2	1	2	9	1	1	1	1	2	2	1	1	1	
EVMS(L)10 10/7.5	1	1	7	2	1	1	1	10	1	1	7	3	/	2	4	2	1	1	2	1	2	10	1	1	1	1	2	2	1	1	1	
EVMS(L)10 11/7.5	1	1	8	2	1	1	1	11	1	1	8	3	/	2	4	2	1	1	2	1	2	11	1	1	1	1	2	/	1	1	1	
EVMS(L)10 12/7.5	1	1	9	2	1	1	1	12	1	1	9	3	/	2	4	2	1	1	2	1	2	12	1	1	1	1	2	/	1	1	1	
EVMS(L)10 14/11	1	1	11	2	1	1	1	14	1	1	11	3	/	2	4	2	1	1	2	1	2	14	1	1	1	1	2	/	1	1	1	
EVMS(L)10 15/11	1	1	12	2	1	1	1	15	1	1	12	3	/	2	4	2	1	1	2	1	2	15	1	1	1	1	2	/	1	1	1	
EVMS(L)10 16/11	1	1	13	2	1	1	1	16	1	1	13	3	/	2	4	2	1	1	2	1	2	16	1	1	1	1	2	/	1	1	1	

Pump Type	N°																								
	120-1	120-3	120-6	120-11*	120-13	128-1	128-3	128-5	128-6	130-1	130-2	131-1	135-1	135-6	137-1	140	160	162	212	212-1	212-2	219*	245	273-1	615**
EVMS(L)10 1/0.75	4	4	4	4	4	4	/	4	4	3	4	1	4	4	1	2	1	1	1	2	1	2	2	2	2
EVMS(L)10 2/1.5	4	4	4	4	4	4	/	4	4	3	4	1	4	4	1	2	1	1	1	2	1	2	2	2	2
EVMS(L)10 3/2.2	4	4	4	4	4	4	/	4	4	3	4	1	4	4	1	2	1	1	1	2	1	2	2	2	2
EVMS(L)10 4/3.0	4	4	4	4	4	4	/	4	4	3	4	1	4	4	1	2	1	1	1	2	1	2	2	2	2
EVMS(L)10 5/4.0	4	4	4	4	4	4	/	4	4	3	4	1	4	4	1	2	1	1	1	2	1	2	2	2	2
EVMS(L)10 6/4.0	4	4	4	4	4	4	/	4	4	3	4	1	4	4	1	2	1	1	1	2	1	2	2	2	2
EVMS(L)10 7/5.5	4	4	4	4	4	4	/	3	4	1	4	/	1	2	1	1	1	1	2	1	2	2	2	2	2
EVMS(L)10 8/5.5	4	4	4	4	4	4	/	3	4	1	4	/	1	2	1	1	1	1	2	1	2	2	2	2	2
EVMS(L)10 9/5.5	4	4	4	4	4	4	/	3	4	1	4	/	1	2	1	1	1	1	2	1	2	2	2	2	2
EVMS(L)10 10/7.5	4	4	4	4	4	4	/	3	4	1	4	/	1	2	1	1	1	1	2	1	2	2	2	2	2
EVMS(L)10 11/7.5	4	4	4	/	4	4	4	/	3	4	1	4	/	1	2	1	1	1	2	1	/	2	2	2	2
EVMS(L)10 12/7.5	4	4	4	/	4	4	4	/	3	4	1	4	/	1	2	1	1	1	2	1	/	2	2	2	2
EVMS(L)10 14/11	4	4	4	/	4	4	4	/	3	4	1	4	/	1	2	1	1	1	2	1	/	2	2	2	2
EVMS(L)10 15/11	4	4	4	/	4	4	4	/	3	4	1	4	/	1	2	1	1	1	2	1	/	2	2	2	2
EVMS(L)10 16/11	4	4	4	/	4	4	4	/	3	4	1	4	/	1	2	1	1	1	2	1	/	2	2	2	2

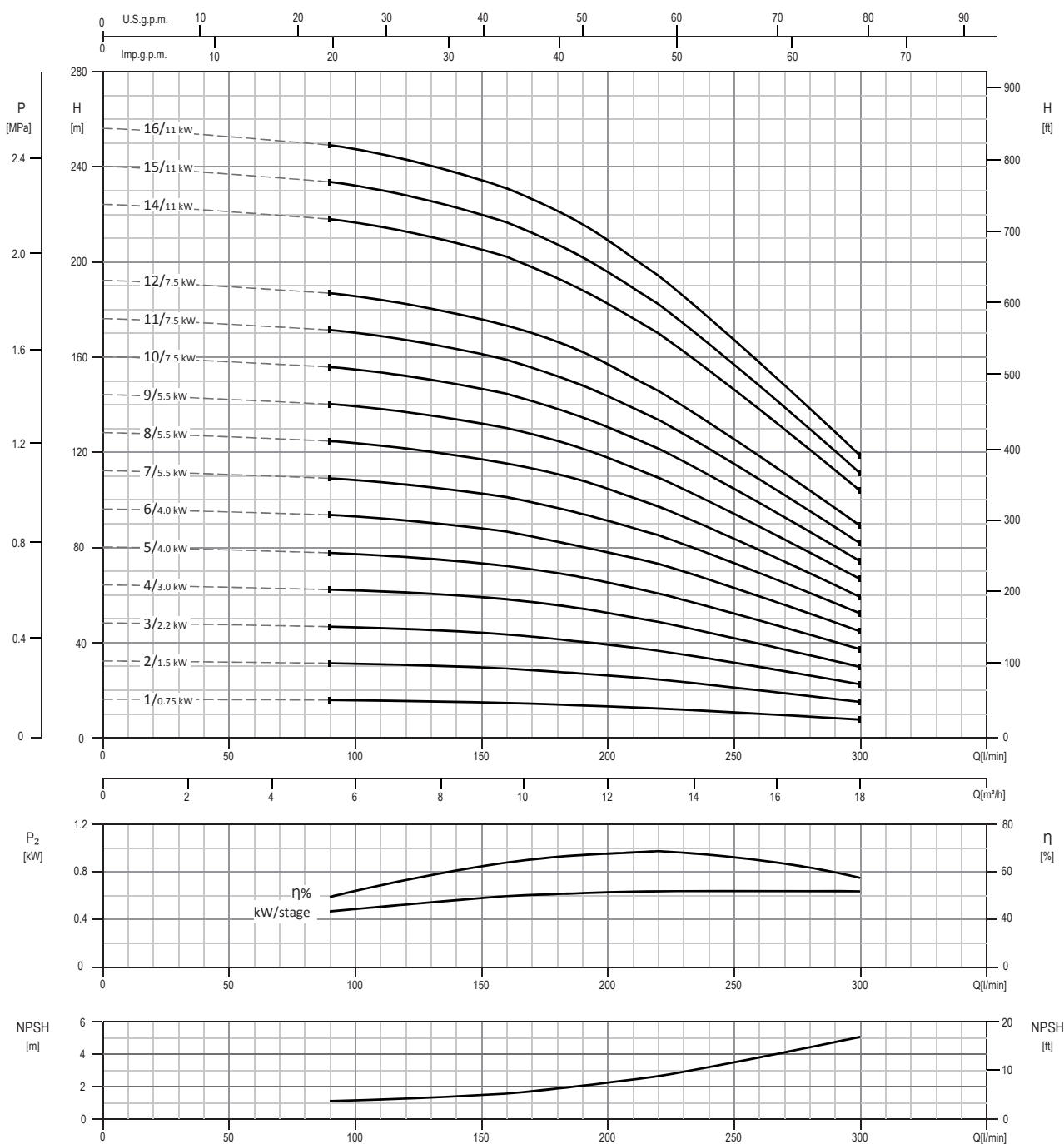
* only for Oval flange (N)

** only for Loose round flange (LF)

128-6 / 135-6: with Aluminium coupling (see drawing pag.18)

PERFORMANCE CURVE
EVMSG10

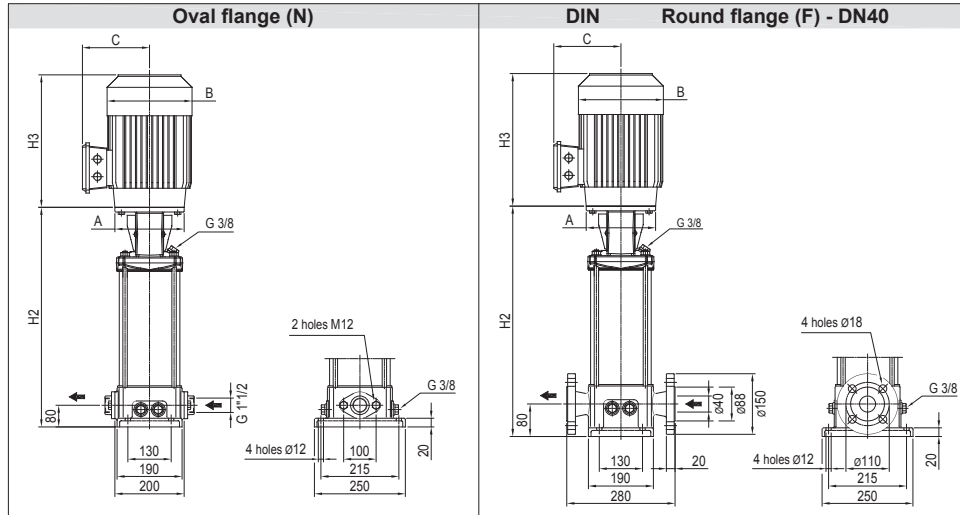
EVMSG10



Test standard: ISO 9906:2012 - Grade 3B

TECHNICAL DATA EVMSG10

Dimensional sketch



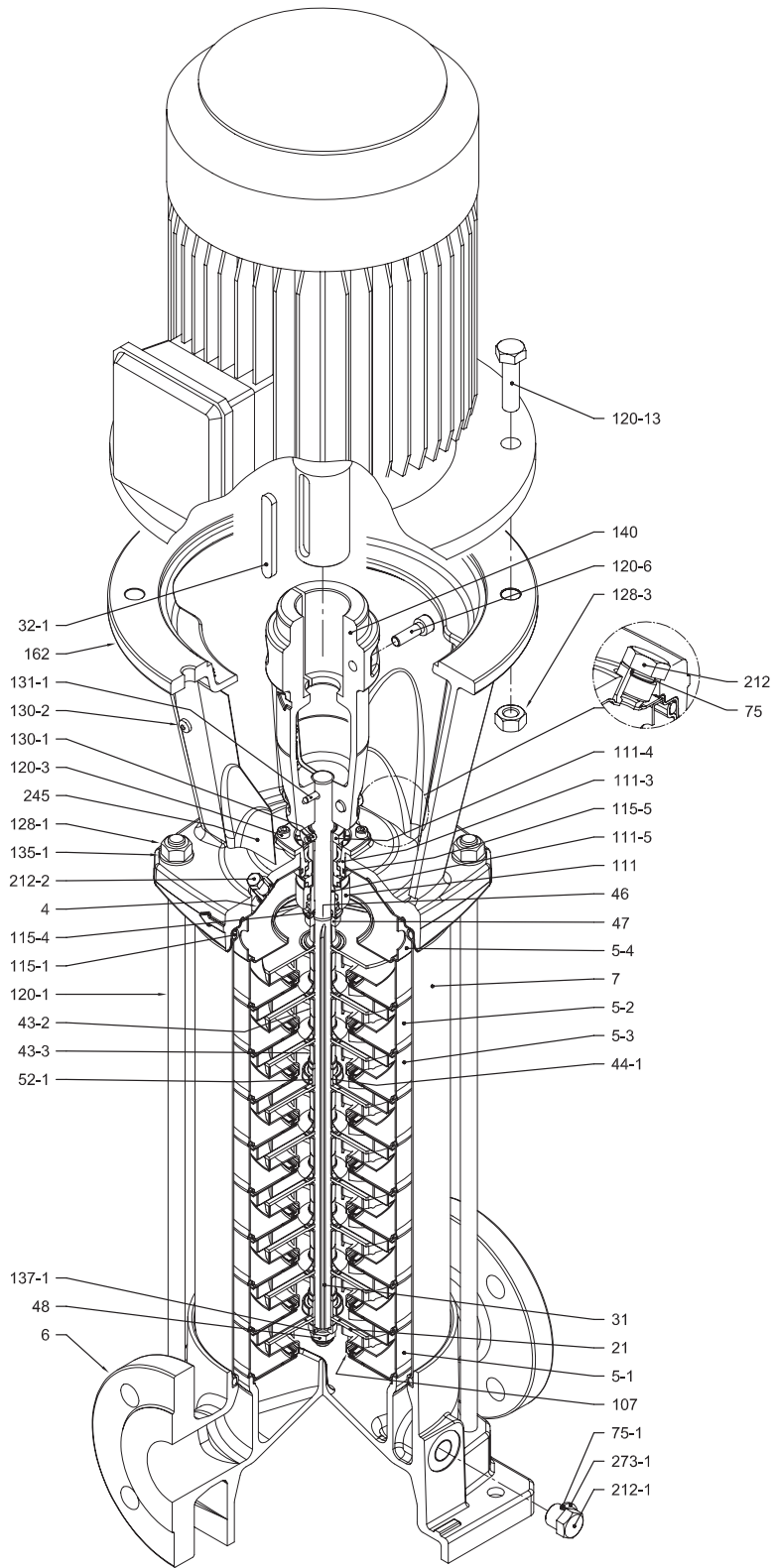
Dimensions [mm] and Weights [Kg]

Pump Type	Pmax [MPa]	Motor					Oval flange (N)				Round flange (F)			
		kW	Size	A	3 ~		H2	H2+H3	Weight Pump	Weight Pump + Motor	H2	H2+H3	Weight Pump	Weight Pump + Motor
				Ø	B	C								
EVMSG10 1/0.75	1.6	0.75	80	120	141	102	343	576	20.3	28.8	343	576	24.1	32.6
EVMSG10 2/1.5	1.6	1.5	90	140	160	119	353	644	20.5	34.0	353	644	24.3	37.8
EVMSG10 3/2.2	1.6	2.2	90	140	160	119	383	674	21.4	36.4	383	674	25.2	40.2
EVMSG10 4/3.0	1.6	3.0	100	160	176	123	423	765	22.3	44.3	423	765	26.1	48.1
EVMSG10 5/4.0	1.6	4.0	112	160	193	138	453	817	23.2	51.7	453	817	27	55.5
EVMSG10 6/4.0	1.6	4.0	112	160	193	138	483	847	24	52.5	483	847	27.8	56.3
EVMSG10 7/5.5	1.6	5.5	132	300	220	152	611	1010	31.9	70.9	611	1010	35.7	74.7
EVMSG10 8/5.5	1.6	5.5	132	300	220	152	641	1040	33.1	72.1	641	1040	36.9	75.9
EVMSG10 9/5.5	1.6	5.5	132	300	220	152	671	1070	33.9	72.9	671	1070	37.7	76.7
EVMSG10 10/7.5	1.6	7.5	132	300	220	152	701	1120	34.8	80.8	701	1120	38.6	84.6
EVMSG10 11/7.5	2.5	7.5	132	300	220	152	-	-	-	-	731	1150	40.2	86.2
EVMSG10 12/7.5	2.5	7.5	132	300	220	152	-	-	-	-	761	1180	41.1	87.1
EVMSG10 14/11	2.5	11	160	350	259	180	-	-	-	-	851	1291	51.1	113.6
EVMSG10 15/11	2.5	11	160	350	259	180	-	-	-	-	881	1321	52.1	114.6
EVMSG10 16/11	2.5	11	160	350	259	180	-	-	-	-	911	1351	53	115.5

1.6 MPa=16 bar; 2.5 MPa=25 bar
- not available model

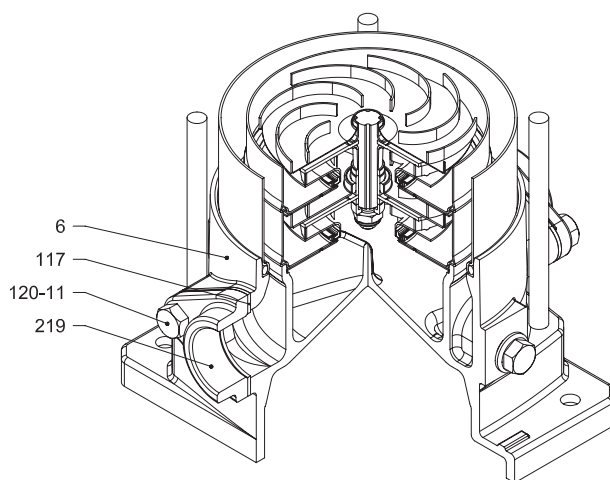
SECTIONAL VIEW
EVMSG10

EVMSG10



with Round flange (F)

PIPE CONNECTION EVMSG10



with Oval flange (N)

SECTIONAL TABLE
EVMSG10

N°	PART NAME	MATERIAL EVMSG	DIMENSIONS	STANDARD	
4	Casing cover	EN 1.4301 (AISI 304)			
5-1	Suction casing	EN 1.4301 (AISI 304)			
5-2	Intermediate casing	EN 1.4301 (AISI 304)			
5-3	Intermediate casing with bearing	EN 1.4301 (AISI 304)			
5-4	Discharge casing	EN 1.4301 (AISI 304)			
6	Bottom casing	Cast Iron EN G.JL-250			
7	Outer casing	EN 1.4301 (AISI 304)			
21	Impeller	EN 1.4301 (AISI 304)			
31	Shaft	EN 1.4301 (AISI 304)			
32-1	Adjuster key	EN 1.4301 (AISI 304)			
43-2	Shaft sleeve (intermediate)	EN 1.4301 (AISI 304)			
43-3	Shaft sleeve (bearing + discharge casing)	EN 1.4301 (AISI 304)			
44-1	Shaft sleeve bearing	Tungsten carbide			
46	Ring (mechanical seal)	EN 1.4404 (AISI 316L)			
47	Ring holder	EN 1.4404 (AISI 316L)			
48	Impeller nut	EN 1.4301 (AISI 304) with inox insert	M10		
52-1	Sleeve bearing	Tungsten carbide			
75	O-Ring (priming plug)	EPDM / FPM	Ø12.37x2.62	OR 3050	
75-1	O-Ring (drainage plug)	EPDM / FPM			
107	Liner ring	EN 1.4301 (AISI 304) + PPS			
111	Mechanical seal	see pages 6-7			
111-3	Mechanical seal seat	EN 1.4308 (ASTM CF8)			
111-4	Seal holder	EN 1.4301 (AISI 304)			
111-5	Mechanical seal cartridge sleeve	EN 1.4301 (AISI 304)			
115-1	O-Ring (outer casing)	EPDM / FPM	Ø164.46x5.34	OR 6945	
115-4	O-Ring (cartridge sleeve)	EPDM / FPM	Ø15.88x2.62	OR 4093	
115-5	O-Ring (seal flange)	EPDM / FPM	Ø37.77x2.62	OR 4175	
117	Flange gasket	EPDM / FPM			
120-1	Tie-rod	EN 1.4057 (AISI 431)	M12		
120-3	Screw (seal flange)	A2-70	M5x12	ISO 4762	
120-6	Screw (pump coupling)	Galvanized steel	up to 4.0 kW	M6x25	ISO 4762
			from 5.5 kw to 7.5 kW	M8x20	ISO 4762
			above 11 kW	M10x30	ISO 4762
120-11	Screw (counterflange)	A2-70			
120-13	Screw for motor	Galvanized steel 8.8 strength class ISO 898/1	MEC 80	M6x20	ISO 4017
			MEC 90-100-112	M8x20	ISO 4017
			MEC 132	M12x40	UNI 5739
			MEC 160	M16x50	ISO 4017
128-1	Nut (tie rod)	A2-70	M12	ISO 4032	
128-3	Nut (motor)	Galvanized steel	MEC 132	M12	ISO 4032
			MEC 160	M16	ISO 4032
128-6	Nut (aluminium coupling)	MEC 71-80-90-100-112	Galvanized steel	M6	ISO 4032
130-1	Set screw	EN 1.4301 (AISI 304)	M5x8	ISO 4026	
130-2	Screw for coupling guard	A2-70	M5x6	UNI 7687	
131-1	Pin for shaft	Carbon Steel	Ø5x35	ISO 2338	
135-1	Washer (tie rod)	EN 1.4301 (AISI 304)	Ø13x24x2.5	ISO 7089	
135-6	Washer (aluminium coupling)	up to 4.0 kW	Carbon Steel	Ø6	
137-1	Impeller spacer	EN 1.4301 (AISI 304)			
140	Coupling	up to 4.0 kW	Die cast Aluminium EN AB-AISI11Cu2 (Fe)		
		above 5.5 kW	Cast Iron		
162	Motor bracket	Cast iron EN-GJL-250			
212	Priming plug	EN 1.4301 (AISI 304)	G 3/8		
212-1	Drainage plug	EN 1.4301 (AISI 304)	G 3/8		
212-2	Venting plug	EN 1.4404 (AISI 316L)			
219	Counter flange	flange type: N	Galvanized steel		
		flange type: F	Cast Iron EN-GJL-250		
245	Coupling guard	EN 1.4301 (AISI 304)			
273-1	Washer (drainage plug)	EN 1.4301 (AISI 304)			

QUANTITY FOR MODEL EVMSG10

2.11

EVMSG10

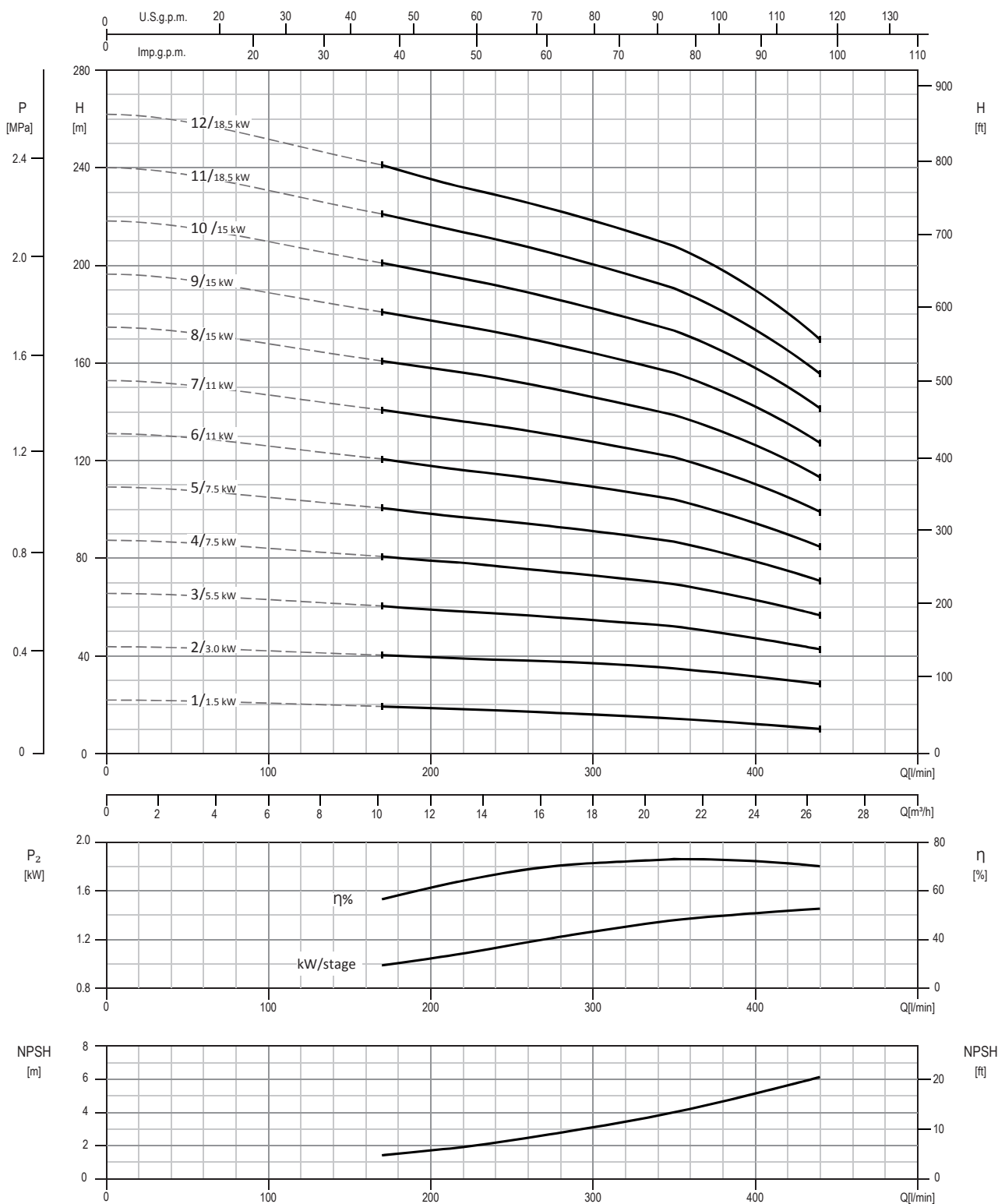
Pump Type	N°																												
	4	5-1	52	53	54	6	7	21	31	32-1	43-2	43-3	43-6	44-1	46	47	48	52-1	75	75-1	107	111	111-3	111-4	111-5	115-1	115-4	115-5	115-5
EVMSG10 1/0.75	1	1	/	1	1	1	1	1	1	1	/	2	1	1	2	1	1	1	1	4	1	1	1	1	1	2	1	1	1
EVMSG10 2/1.5	1	1	/	1	1	1	1	2	1	1	/	2	/	1	2	1	1	1	1	4	2	1	1	1	1	2	1	1	1
EVMSG10 3/2.2	1	1	1	1	1	1	1	3	1	1	1	2	/	1	2	1	1	1	1	4	3	1	1	1	1	2	1	1	1
EVMSG10 4/3.0	1	1	2	1	1	1	1	4	1	1	2	2	/	1	2	1	1	1	1	4	4	1	1	1	1	2	1	1	1
EVMSG10 5/4.0	1	1	3	1	1	1	1	5	1	1	3	2	/	1	2	1	1	1	1	4	5	1	1	1	1	2	1	1	1
EVMSG10 6/4.0	1	1	4	1	1	1	1	6	1	1	4	2	/	1	2	1	1	1	1	4	6	1	1	1	1	2	1	1	1
EVMSG10 7/5.5	1	1	5	1	1	1	1	7	1	1	5	2	/	1	2	1	1	1	1	4	7	1	1	1	1	2	1	1	1
EVMSG10 8/5.5	1	1	5	2	1	1	1	8	1	1	5	3	/	2	2	1	1	2	1	4	8	1	1	1	1	2	1	1	1
EVMSG10 9/5.5	1	1	6	2	1	1	1	9	1	1	6	3	/	2	2	1	1	2	1	4	9	1	1	1	1	2	1	1	1
EVMSG10 10/7.5	1	1	7	2	1	1	1	10	1	1	7	3	/	2	2	1	1	2	1	4	10	1	1	1	1	2	1	1	1
EVMSG10 11/7.5	1	1	8	2	1	1	1	11	1	1	8	3	/	2	2	1	1	2	1	4	11	1	1	1	1	2	1	1	1
EVMSG10 12/7.5	1	1	9	2	1	1	1	12	1	1	9	3	/	2	2	1	1	2	1	4	12	1	1	1	1	2	1	1	1
EVMSG10 14/11	1	1	11	2	1	1	1	14	1	1	11	3	/	2	2	1	1	2	1	4	14	1	1	1	1	2	1	1	1
EVMSG10 15/11	1	1	12	2	1	1	1	15	1	1	12	3	/	2	2	1	1	2	1	4	15	1	1	1	1	2	1	1	1
EVMSG10 16/11	1	1	13	2	1	1	1	16	1	1	13	3	/	2	2	1	1	2	1	4	16	1	1	1	1	2	1	1	1

Pump Type	N°																						
	117*	120-1	120-3	120-6	120-11*	120-13	128-1	128-3	128-6	130-1	130-2	131-1	135-1	135-6	137-1	140	162	212	212-1	212-2	219*	245	273-1
EVMSG10 1/0.75	2	4	4	4	4	4	4	/	4	3	4	1	4	4	1	2	1	1	4	1	2	2	4
EVMSG10 2/1.5	2	4	4	4	4	4	4	/	4	3	4	1	4	4	1	2	1	1	4	1	2	2	4
EVMSG10 3/2.2	2	4	4	4	4	4	4	/	4	3	4	1	4	4	1	2	1	1	4	1	2	2	4
EVMSG10 4/3.0	2	4	4	4	4	4	4	/	4	3	4	1	4	4	1	2	1	1	4	1	2	2	4
EVMSG10 5/4.0	2	4	4	4	4	4	4	/	4	3	4	1	4	4	1	2	1	1	4	1	2	2	4
EVMSG10 6/4.0	2	4	4	4	4	4	4	/	4	3	4	1	4	4	1	2	1	1	4	1	2	2	4
EVMSG10 7/5.5	2	4	4	4	4	4	4	/	3	4	1	4	/	1	2	1	1	4	1	2	2	4	
EVMSG10 8/5.5	2	4	4	4	4	4	4	/	3	4	1	4	/	1	2	1	1	4	1	2	2	4	
EVMSG10 9/5.5	2	4	4	4	4	4	4	/	3	4	1	4	/	1	2	1	1	4	1	2	2	4	
EVMSG10 10/7.5	2	4	4	4	4	4	4	/	3	4	1	4	/	1	2	1	1	4	1	2	2	4	
EVMSG10 11/7.5	/	4	4	4	/	4	4	4	/	3	4	1	4	/	1	2	1	1	4	1	/	2	4
EVMSG10 12/7.5	/	4	4	4	/	4	4	4	/	3	4	1	4	/	1	2	1	1	4	1	/	2	4
EVMSG10 14/11	/	4	4	4	/	4	4	4	/	3	4	1	4	/	1	2	1	1	4	1	/	2	4
EVMSG10 15/11	/	4	4	4	/	4	4	4	/	3	4	1	4	/	1	2	1	1	4	1	/	2	4
EVMSG10 16/11	/	4	4	4	/	4	4	4	/	3	4	1	4	/	1	2	1	1	4	1	/	2	4

* only for Oval flange (N)
128-6 / 135-6: with Aluminium coupling (see drawing pag.18)

PERFORMANCE CURVE
EVMS(L)15

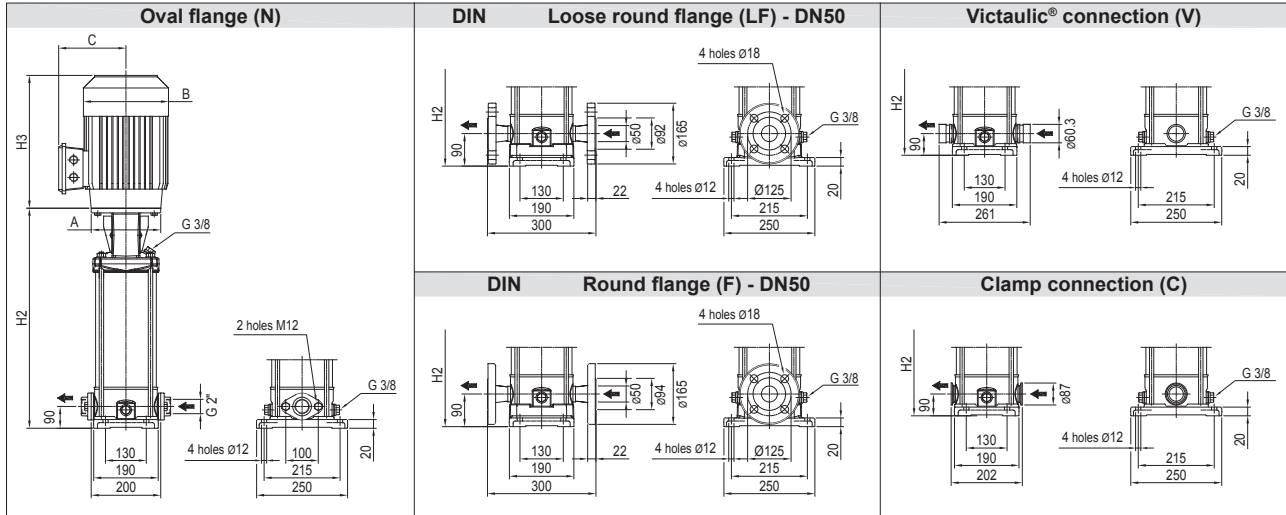
EVMS(L)15



Test standard: ISO 9906:2012 - Grade 3B

TECHNICAL DATA EVMS(L)15

Dimensional sketch



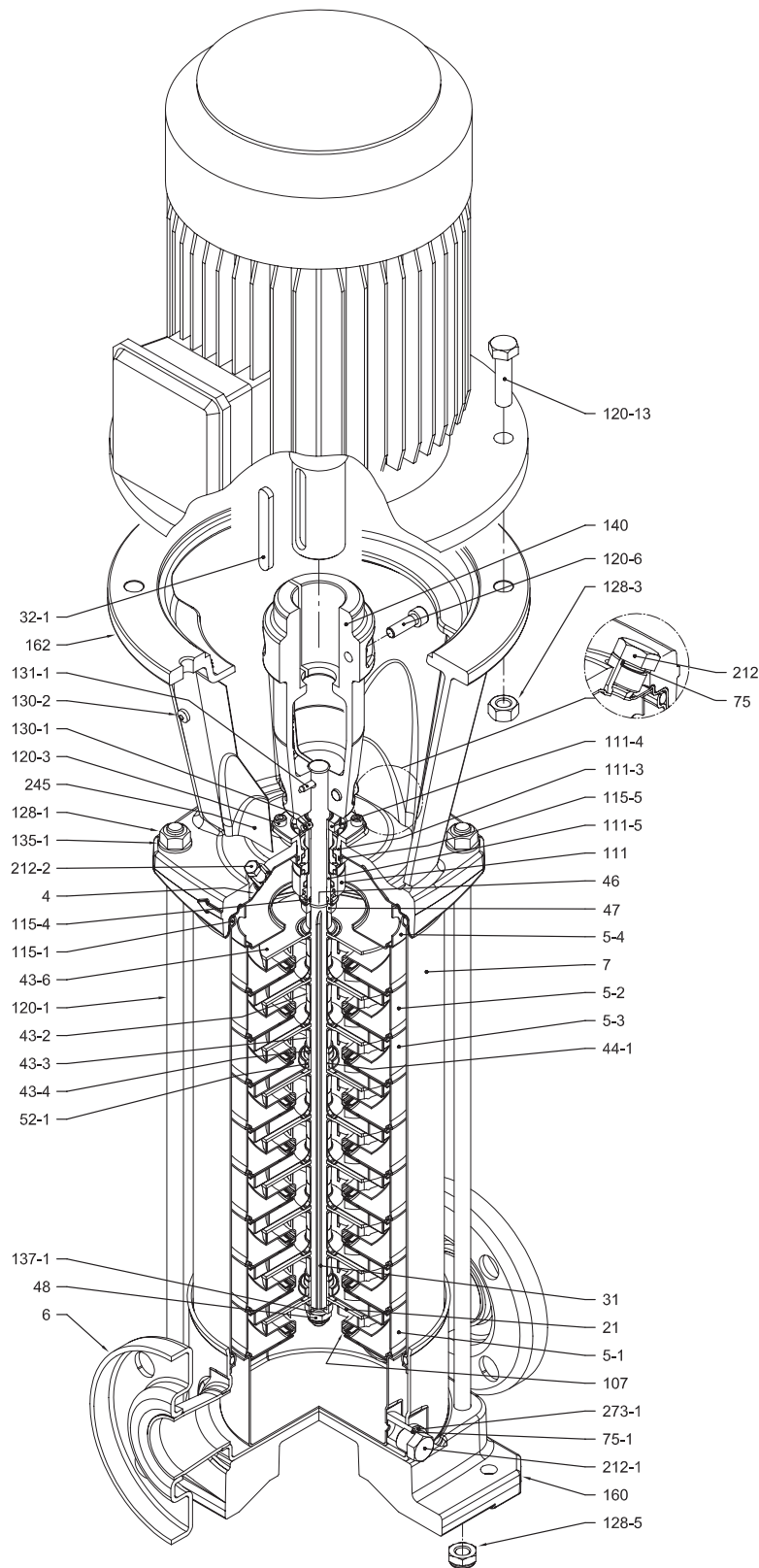
Dimensions [mm] and Weights [Kg]

Pump Type	P _{max} [MPa]	Motor			Oval flange (N)				Loose round flange (LF) Round flange (F)				Victaulic® connection (V) Clamp connection (C)					
		kW	Size	A	3 ~	H2	H2+H3	Weight Pump	Weight Pump + Motor	H2	H2+H3	Weight Pump	Weight Pump + Motor	H2	H2+H3	Weight Pump	Weight Pump + Motor	
			Ø	B	C													
EVMS(L)15 1/1.5	1.6	1.5	90	140	160	119	387	678	16.9	30.4	387	678	18.8	32.3	387	678	16.9	30.4
EVMS(L)15 2/3.0	1.6	3.0	100	160	176	123	397	739	17.3	39.3	397	739	19.1	41.1	397	739	17.2	39.2
EVMS(L)15 3/5.5	1.6	5.5	132	300	220	152	534	933	25.5	64.5	534	933	27.4	66.4	534	933	25.5	64.5
EVMS(L)15 4/7.5	1.6	7.5	132	300	220	152	574	993	26.7	72.7	574	993	28.6	74.6	574	993	26.7	72.7
EVMS(L)15 5/7.5	1.6	7.5	132	300	220	152	614	1033	27.8	73.8	614	1033	29.7	75.7	614	1033	27.8	73.8
EVMS(L)15 6/11	1.6	11	160	350	259	180	684	1124	37.7	100.2	684	1124	39.5	102.0	684	1124	37.6	100.1
EVMS(L)15 7/11	1.6	11	160	350	259	180	724	1164	39.5	102.0	724	1164	41.4	103.9	724	1164	39.5	102.0
EVMS(L)15 8/15	2.5	15	160	350	311	240	-	-	-	-	764	1259	42.7	143.7	764	1259	40.8	141.8
EVMS(L)15 9/15	2.5	15	160	350	311	240	-	-	-	-	804	1299	44	145.0	804	1299	42.1	143.1
EVMS(L)15 10/15	2.5	15	160	350	311	240	-	-	-	-	844	1339	45.3	146.3	844	1339	43.4	144.4
EVMS(L)15 11/18.5	2.5	18.5	160	350	311	240	-	-	-	-	884	1379	46.6	155.6	884	1379	44.7	153.7
EVMS(L)15 12/18.5	2.5	18.5	160	350	311	240	-	-	-	-	924	1419	47.9	156.9	924	1419	46	155.0

1.6 MPa=16 bar; 2.5 MPa=25 bar
- not available model

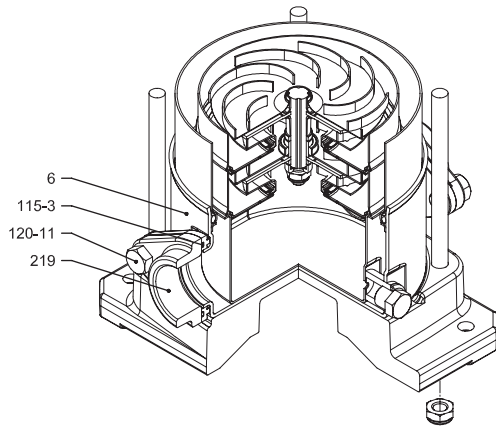
SECTIONAL VIEW
EVMS(L)15

EVMS(L)15

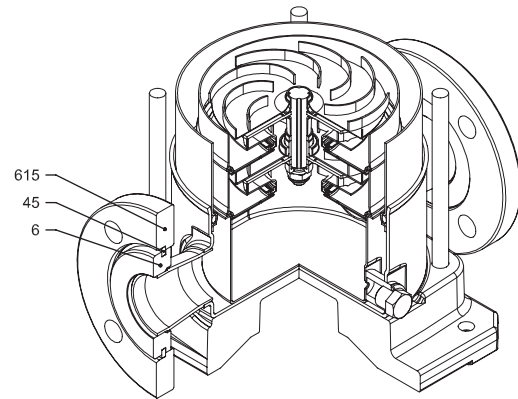


with Round flange (F)

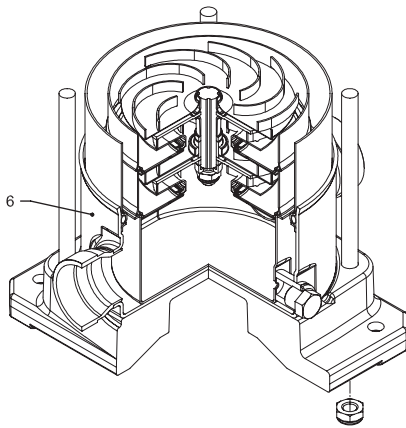
PIPE CONNECTION EVMS(L)15



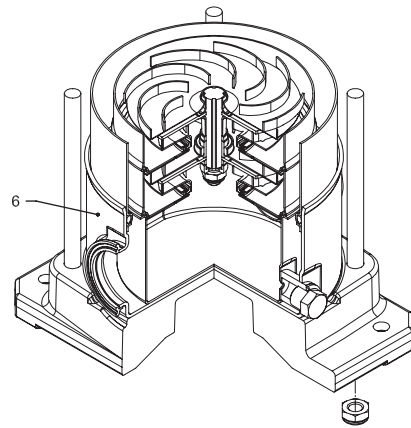
with Oval flange (N)



with Loose round flange (LF)



with Victaulic® connection (V)



with Clamp connection (C)

SECTIONAL TABLE
EVMS(L)15

N°	PART NAME	MATERIAL		DIMENSIONS	STANDARD
		EVMS	EVMSL		
4	Casing cover	EN 1.4301 (AISI 304)	EN 1.4404 (AISI 316L)		
5-1	Suction casing	EN 1.4301 (AISI 304)	EN 1.4404 (AISI 316L)		
5-2	Intermediate casing	EN 1.4301 (AISI 304)	EN 1.4404 (AISI 316L)		
5-3	Intermediate casing with bearing	EN 1.4301 (AISI 304)	EN 1.4404 (AISI 316L)		
5-4	Discharge casing	EN 1.4301 (AISI 304)	EN 1.4404 (AISI 316L)		
6	Bottom casing	EN 1.4301 (AISI 304)	EN 1.4404 (AISI 316L)		
7	Outer casing	EN 1.4301 (AISI 304)	EN 1.4404 (AISI 316L)		
21	Impeller	EN 1.4301 (AISI 304)	EN 1.4404 (AISI 316L)		
31	Shaft	EN 1.4301 (AISI 304) - EN 1.4462 (AISI 329A)	EN 1.4404 (AISI 316L) - EN 1.4462 (AISI 329A)		
32-1	Adjuster key	EN 1.4301 (AISI 304)			
43-2	Shaft sleeve (intermediate)	EN 1.4301 (AISI 304)	EN 1.4404 (AISI 316L)		
43-3	Shaft sleeve (bearing + discharge casing)	EN 1.4301 (AISI 304)	EN 1.4404 (AISI 316L)		
43-4	Shaft sleeve (adjustment)	EN 1.4301 (AISI 304)	EN 1.4404 (AISI 316L)		
43-6	Washer	EN 1.4404 (AISI 316L)		Ø26x2.5	
44-1	Shaft sleeve bearing	Tungsten carbide			
45	Flange holder	EN 1.4301 (AISI 304)			
46	Ring (mechanical seal)	EN 1.4404 (AISI 316L)			
47	Ring holder	EN 1.4301 (AISI 304)	EN 1.4404 (AISI 316L)		
48	Impeller nut	EN 1.4301 (AISI 304) with inox insert	EN 1.4401 (AISI 316) with inox insert	M10	
52-1	Sleeve bearing	Tungsten carbide			
75	O-Ring (priming plug)	EPDM / FPM		Ø12.37x2.62	OR 3050
75-1	O-Ring (drainage plug)	EPDM / FPM			
107	Liner ring	EN 1.4301 (AISI 304) + PPS	EN 1.4404 (AISI 316L) + PPS		
111	Mechanical seal	see pages 6-7			
111-3	Mechanical seal seat	EN 1.4308 (ASTM CF8)	EN 1.4408 (ASTM CF8M)		
111-4	Seal holder	EN 1.4301 (AISI 304)			
111-5	Mechanical seal cartridge sleeve	EN 1.4301 (AISI 304)	EN 1.4404 (AISI 316L)		
115-1	O-Ring (outer casing)	EPDM / FPM		Ø164.46x5.34	OR 6945
115-3	O-Ring	EPDM / FPM			
115-4	O-Ring (cartridge sleeve)	EPDM / FPM		Ø15.88x2.62	OR 4093
115-5	O-Ring (seal flange)	EPDM / FPM		Ø37.77x2.62	OR 4175
120-1	Tie-rod	EN 1.4057 (AISI 431)		M12	
120-3	Screw (seal flange)	A2-70		M5x12	ISO 4762
120-6	Screw (pump coupling)	up to 4.0 kW from 5.5 kW to 7.5 kW above 11 kW	Galvanized steel	M6x25	ISO 4762
				M8x20	ISO 4762
				M10x30	ISO 4762
120-11	Screw (counterflange)	A2-70			
120-13	Screw for motor	MEC 80 MEC 90-100-112 MEC 132 MEC 160	Galvanized steel 8.8 strength class ISO 898/1	M6x20	ISO 4017
				M8x20	ISO 4017
				M12x40	ISO 4017
				M16x50	ISO 4017
128-1	Nut (tie rod)	A2-70		M12	ISO 4032
128-3	Nut (motor)	MEC 132 MEC 160	Galvanized steel	M12	ISO 4032
				M16	ISO 4032
128-5	Nut (tie rod)	A2-70		M12	UNI 7474
128-6	Nut (aluminium coupling)	MEC 71-80-90-100-112	Galvanized steel	M6	ISO 4032
130-1	Set screw	EN 1.4301 (AISI 304)		M5x8	ISO 4026
130-2	Screw for coupling guard	A2-70		M5x6	UNI 7687
131-1	Pin for shaft	Carbon Steel		Ø5x35	ISO 2338
135-1	Washer (tie rod)	EN 1.4301 (AISI 304)		Ø13x24x2.5	ISO 7089
135-6	Washer (aluminium coupling)	up to 4.0 kW	Carbon Steel	Ø6	
137-1	Impeller spacer	EN 1.4301 (AISI 304)	EN 1.4404 (AISI 316L)		
140	Coupling	up to 4.0 kW	Die cast Aluminium EN AB-AISI11 Cu2 (Fe)		
		above 5.5 kW	Cast Iron		
160	Base	Die cast Aluminium EN AB-AISI11 Cu2 (Fe)			
162	Motor bracket	Cast iron EN-GJL-250			
212	Priming plug	EN 1.4301 (AISI 304)	EN 1.4404 (AISI 316L)	G 3/8	
212-1	Drainage plug	EN 1.4301 (AISI 304)	EN 1.4404 (AISI 316L)	G 3/8	
212-2	Venting plug	EN 1.4404 (AISI 316L)			
219	Counter flange	flange type: N	EN 1.4308 (ASTM CF8)	EN 1.4408 (ASTM CF8M)	
		flange type: LF-F-V-C	EN 1.4301 (AISI 304)	EN 1.4404 (AISI 316L)	
245	Coupling guard	EN 1.4301 (AISI 304)			
273-1	Washer (drainage plug)	EN 1.4301 (AISI 304)	EN 1.4404 (AISI 316L)		
615	Flange	Carbon Steel			

QUANTITY FOR MODEL EVMS(L)15

Pump Type	N°																															
	4	5-1	52	53	54	6	7	21	31***	32-1	43-2	43-3	43-4	43-6	44-1	45**	46	47	48	52-1	75	75-1	107	111	111-3	111-4	111-5	115-1	115-3*	115-4	115-5	
EVMS(L)15 1/1.5	1	1	/	1	1	1	1	1	1	1	/	2	1	1	1	4	2	1	1	1	1	2	1	1	1	1	1	1	2	2	1	1
EVMS(L)15 2/3.0	1	1	/	1	1	1	1	2	1	1	/	2	1	/	1	4	2	1	1	1	1	2	2	1	1	1	1	1	2	2	1	1
EVMS(L)15 3/5.5	1	1	1	1	1	1	1	3	1	1	1	2	1	/	1	4	2	1	1	1	1	2	3	1	1	1	1	1	2	2	1	1
EVMS(L)15 4/7.5	1	1	2	1	1	1	1	4	1	1	2	2	1	/	1	4	2	1	1	1	1	2	4	1	1	1	1	1	2	2	1	1
EVMS(L)15 5/7.5	1	1	3	1	1	1	1	5	1	1	3	2	1	/	1	4	2	1	1	1	1	2	5	1	1	1	1	1	2	2	1	1
EVMS(L)15 6/11	1	1	3	2	1	1	1	6	1	1	3	3	2	/	2	4	2	1	1	2	1	2	6	1	1	1	1	1	2	2	1	1
EVMS(L)15 7/11	1	1	4	2	1	1	1	7	1	1	4	3	2	/	2	4	2	1	1	2	1	2	7	1	1	1	1	1	2	2	1	1
EVMS(L)15 8/15	1	1	5	2	1	1	1	8	1	1	5	3	2	/	2	4	2	1	1	2	1	2	8	1	1	1	1	1	2	/	1	1
EVMS(L)15 9/15	1	1	6	2	1	1	1	9	1	1	6	3	2	/	2	4	2	1	1	2	1	2	9	1	1	1	1	1	2	/	1	1
EVMS(L)15 10/15	1	1	7	2	1	1	1	10	1	1	7	3	2	/	2	4	2	1	1	2	1	2	10	1	1	1	1	1	2	/	1	1
EVMS(L)15 11/18.5	1	1	8	2	1	1	1	11	1	1	8	3	2	/	2	4	2	1	1	2	1	2	11	1	1	1	1	1	2	/	1	1
EVMS(L)15 12/18.5	1	1	9	2	1	1	1	12	1	1	9	3	2	/	2	4	2	1	1	2	1	2	12	1	1	1	1	1	2	/	1	1

Pump Type	N°																								
	120-1	120-3	120-6	120-11*	120-13	128-1	128-3	128-5	128-6	130-1	130-2	131-1	135-1	135-6	137-1	140	160	162	212	212-1	212-2	219*	245	273-1	615**
EVMS(L)15 1/1.5	4	4	4	4	4	4	/	4	4	3	4	1	4	4	1	2	1	1	1	2	1	2	2	2	2
EVMS(L)15 2/3.0	4	4	4	4	4	4	/	4	4	3	4	1	4	4	1	2	1	1	1	2	1	2	2	2	2
EVMS(L)15 3/5.5	4	4	4	4	4	4	4	4	/	3	4	1	4	/	1	2	1	1	1	2	1	2	2	2	2
EVMS(L)15 4/7.5	4	4	4	4	4	4	4	4	/	3	4	1	4	/	1	2	1	1	1	2	1	2	2	2	2
EVMS(L)15 5/7.5	4	4	4	4	4	4	4	4	/	3	4	1	4	/	1	2	1	1	1	2	1	2	2	2	2
EVMS(L)15 6/11	4	4	4	4	4	4	4	4	/	3	4	1	4	/	1	2	1	1	1	2	1	2	2	2	2
EVMS(L)15 7/11	4	4	4	4	4	4	4	4	/	3	4	1	4	/	1	2	1	1	1	2	1	2	2	2	2
EVMS(L)15 8/15	4	4	4	/	4	4	4	4	/	3	4	1	4	/	1	2	1	1	1	2	1	/	2	2	2
EVMS(L)15 9/15	4	4	4	/	4	4	4	4	/	3	4	1	4	/	1	2	1	1	1	2	1	/	2	2	2
EVMS(L)15 10/15	4	4	4	/	4	4	4	4	/	3	4	1	4	/	1	2	1	1	1	2	1	/	2	2	2
EVMS(L)15 11/18.5	4	4	4	/	4	4	4	4	/	3	4	1	4	/	1	2	1	1	1	2	1	/	2	2	2
EVMS(L)15 12/18.5	4	4	4	/	4	4	4	4	/	3	4	1	4	/	1	2	1	1	1	2	1	/	2	2	2

* only for Oval flange (N)

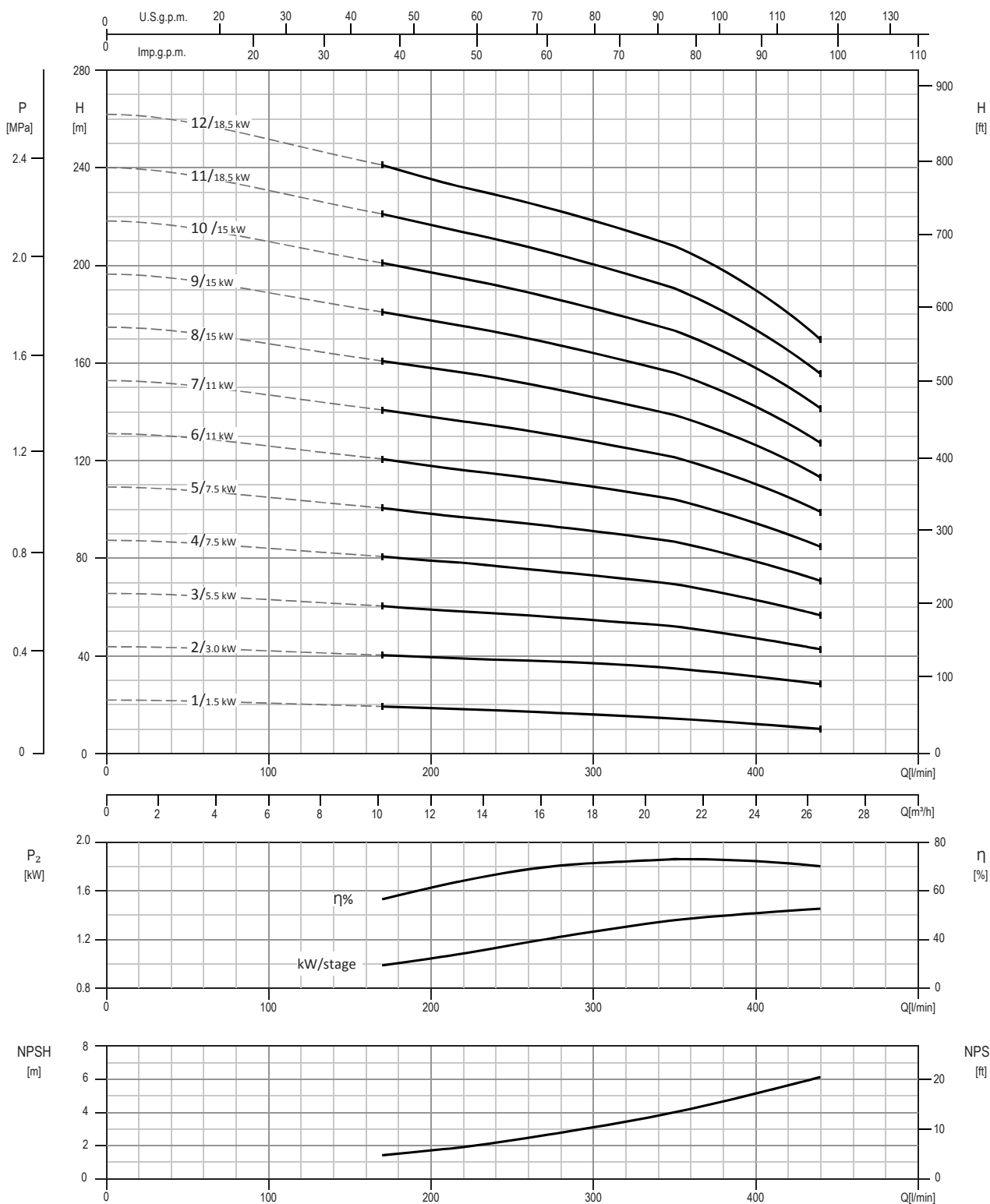
** only for Loose round flange (LF)

** shaft in EN 1.4462 (AISI 329A)

128-6 / 135-6: with Aluminium coupling (see drawing pag.18)

PERFORMANCE CURVE
EVMSG15

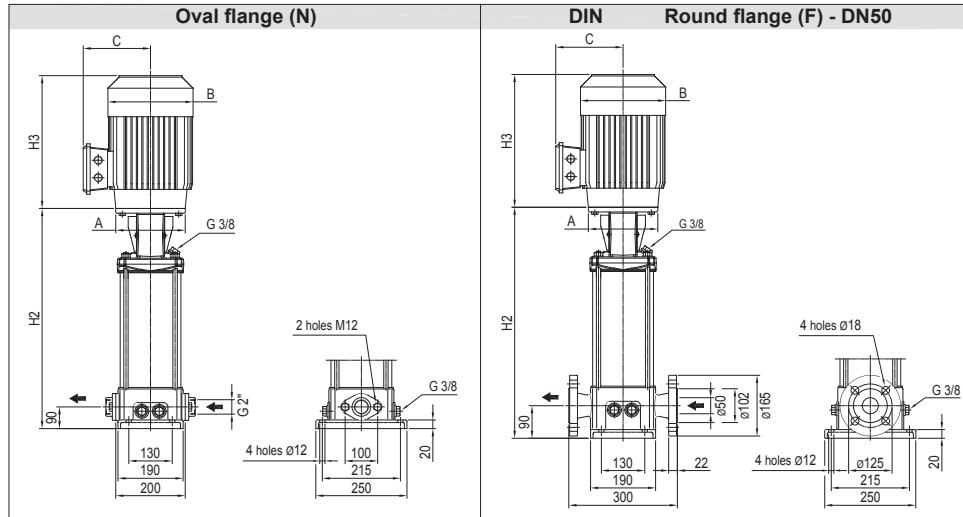
EVMSG15



Test standard: ISO 9906:2012 - Grade 3B

TECHNICAL DATA EVMSG15

Dimensional sketch



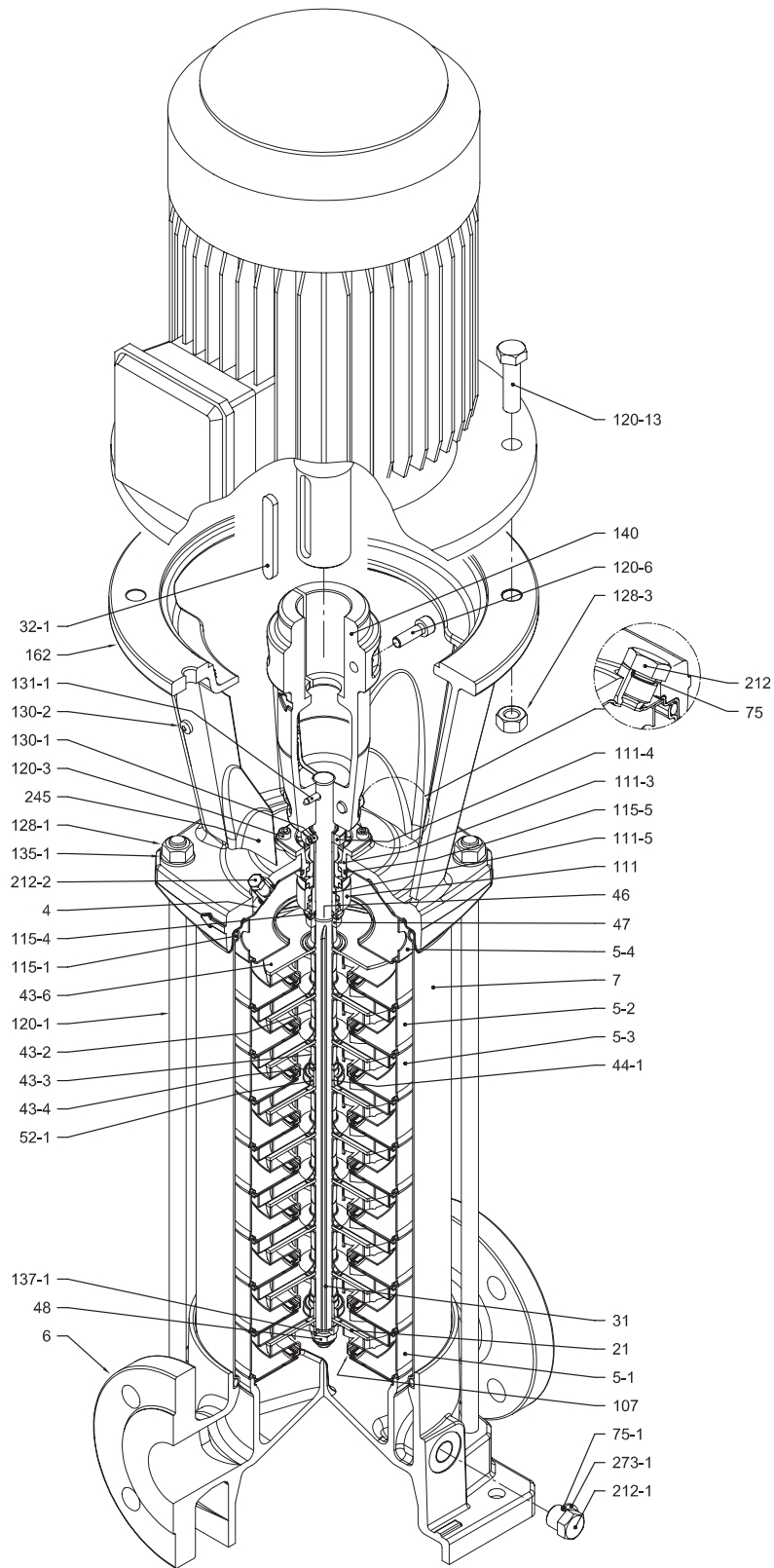
Dimensions [mm] and Weights [Kg]

Pump Type	Pmax [MPa]	kW	Motor			Oval flange (N)				Round flange (F)			
			Size	A	3 ~ Ø B C	H2	H2+H3	Weight Pump	Weight Pump + Motor	H2	H2+H3	Weight Pump	Weight Pump + Motor
EVMSG15 1/1.5	1.6	1.5	90	140	160 119	387	678	21.2	34.7	387	678	26.9	40.4
EVMSG15 2/3.0	1.6	3.0	100	160	176 123	397	739	21.6	43.6	397	739	27.3	49.3
EVMSG15 3/5.5	1.6	5.5	132	300	220 152	534	933	29.8	68.8	534	933	35.5	74.5
EVMSG15 4/7.5	1.6	7.5	132	300	220 152	574	993	31	77.0	574	993	36.7	82.7
EVMSG15 5/7.5	1.6	7.5	132	300	220 152	614	1033	32.1	78.1	614	1033	37.8	83.8
EVMSG15 6/11	1.6	11	160	350	259 180	684	1124	42	104.5	684	1124	47.7	110.2
EVMSG15 7/11	1.6	11	160	350	259 180	724	1164	43.8	106.3	724	1164	49.5	112.0
EVMSG15 8/15	2.5	15	160	350	311 240	-	-	-	-	764	1259	50.8	151.8
EVMSG15 9/15	2.5	15	160	350	311 240	-	-	-	-	804	1299	52.1	153.1
EVMSG15 10/15	2.5	15	160	350	311 240	-	-	-	-	844	1339	53.4	154.4
EVMSG15 11/18.5	2.5	18.5	160	350	311 240	-	-	-	-	884	1379	54.7	163.7
EVMSG15 12/18.5	2.5	18.5	160	350	311 240	-	-	-	-	924	1419	56	165.0

1.6 MPa=16 bar; 2.5 MPa=25 bar
- not available model

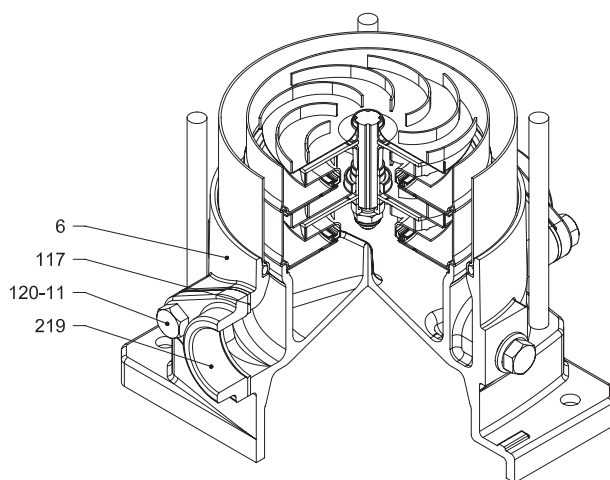
SECTIONAL VIEW
EVMSG15

EVMSG15



with Round flange (F)

PIPE CONNECTION EVMSG15



with Oval flange (N)

SECTIONAL TABLE
EVMSG15

N°	PART NAME	MATERIAL EVMSG	DIMENSIONS	STANDARD	
4	Casing cover	EN 1.4301 (AISI 304)			
5-1	Suction casing	EN 1.4301 (AISI 304)			
5-2	Intermediate casing	EN 1.4301 (AISI 304)			
5-3	Intermediate casing with bearing	EN 1.4301 (AISI 304)			
5-4	Discharge casing	EN 1.4301 (AISI 304)			
6	Bottom casing	Cast Iron EN G.JL-250			
7	Outer casing	EN 1.4301 (AISI 304)			
21	Impeller	EN 1.4301 (AISI 304)			
31	Shaft	EN 1.4301 (AISI 304) - EN 1.4462 (AISI 329A)			
32-1	Adjuster key	EN 1.4301 (AISI 304)			
43-2	Shaft sleeve (intermediate)	EN 1.4301 (AISI 304)			
43-3	Shaft sleeve (bearing + discharge casing)	EN 1.4301 (AISI 304)			
43-4	Shaft sleeve (adjustment)	EN 1.4301 (AISI 304)			
43-6	Washer	EN 1.4404 (AISI 316L)	Ø26x2.5		
44-1	Shaft sleeve bearing	Tungsten carbide			
46	Ring (mechanical seal)	EN 1.4404 (AISI 316L)			
47	Ring holder	EN 1.4404 (AISI 316L)			
48	Impeller nut	EN 1.4301 (AISI 304) with inox insert	M10		
52-1	Sleeve bearing	Tungsten carbide			
75	O-Ring (priming plug)	EPDM / FPM	Ø12.37x2.62	OR 3050	
75-1	O-Ring (drainage plug)	EPDM / FPM			
107	Liner ring	EN 1.4301 (AISI 304) + PPS			
111	Mechanical seal	see pages 6-7			
111-3	Mechanical seal seat	EN 1.4308 (ASTM CF8)			
111-4	Seal holder	EN 1.4301 (AISI 304)			
111-5	Mechanical seal cartridge sleeve	EN 1.4301 (AISI 304)			
115-1	O-Ring (outer casing)	EPDM / FPM	Ø164.46x5.34	OR 6945	
115-4	O-Ring (cartridge sleeve)	EPDM / FPM	Ø15.88x2.62	OR 4093	
115-5	O-Ring (seal flange)	EPDM / FPM	Ø37.77x2.62	OR 4175	
117	Flange gasket	EPDM / FPM			
120-1	Tie-rod	EN 1.4057 (AISI 431)	M12		
120-3	Screw (seal flange)	A2-70	M5x12	ISO 4762	
120-6	Screw (pump coupling)	Galvanized steel 6.8 strength class ISO 898/1	up to 4.0 kW	M6x25	ISO 4762
			from 5.5 kW to 7.5 kW	M8x20	ISO 4762
			above 11 kW	M10x30	ISO 4762
120-11	Screw (counterflange)	A2-70			
120-13	Screw for motor	Galvanized steel 8.8 strength class ISO 898/1	MEC 80	M6x20	ISO 4017
			MEC 90-100-112	M8x20	ISO 4017
			MEC 132	M12x40	ISO 4017
			MEC 160	M16x50	ISO 4017
128-1	Nut (tie rod)	A2-70	M12	ISO 4032	
128-3	Nut (motor)	Galvanized steel	MEC 132	M12	ISO 4032
			MEC 160	M16	ISO 4032
128-6	Nut (aluminium coupling)	Galvanized steel	M6	ISO 4032	
130-1	Set screw	EN 1.4301 (AISI 304)	M5x8	ISO 4026	
130-2	Screw for coupling guard	A2-70	M5x6	UNI 7687	
131-1	Pin for shaft	Carbon Steel	Ø5x35	ISO 2338	
135-1	Washer (tie rod)	EN 1.4301 (AISI 304)	Ø13x24x2.5	ISO 7089	
135-6	Washer (aluminium coupling)	Carbon Steel	Ø6		
137-1	Impeller spacer	EN 1.4301 (AISI 304)			
140	Coupling	up to 4.0 kW	Die cast Aluminium EN AB-AISI11Cu2 (Fe)		
		above 5.5 kW	Cast Iron		
162	Motor bracket	Cast iron EN-G.JL-250			
212	Priming plug	EN 1.4301 (AISI 304)	G 3/8		
212-1	Drainage plug	EN 1.4301 (AISI 304)	G 3/8		
212-2	Venting plug	EN 1.4404 (AISI 316L)			
219	Counter flange	flange type: N	Galvanized steel		
		flange type: F	Cast Iron EN-G.JL-250		
245	Coupling guard	EN 1.4301 (AISI 304)			
273-1	Washer (drainage plug)	EN 1.4301 (AISI 304)			

QUANTITY FOR MODEL EVMSG15

Pump Type	N°																												
	4	5-1	52	53	54	6	7	21	31***	32-1	43-2	43-3	43-4	43-6	44-1	46	47	48	52-1	75	75-1	107	111	111-3	111-4	111-5	115-1	115-4	115-5
EVMSG15 1/1.5	1	1	/	1	1	1	1	1	1	1	/	2	1	1	1	2	1	1	1	1	4	1	1	1	1	1	2	1	1
EVMSG15 2/3.0	1	1	/	1	1	1	1	2	1	1	/	2	1	/	1	2	1	1	1	1	4	2	1	1	1	1	2	1	1
EVMSG15 3/5.5	1	1	1	1	1	1	1	3	1	1	1	2	1	/	1	2	1	1	1	1	4	3	1	1	1	1	2	1	1
EVMSG15 4/7.5	1	1	2	1	1	1	1	4	1	1	2	2	1	/	1	2	1	1	1	1	4	4	1	1	1	1	2	1	1
EVMSG15 5/7.5	1	1	3	1	1	1	1	5	1	1	3	2	1	/	1	2	1	1	1	1	4	5	1	1	1	1	2	1	1
EVMSG15 6/11	1	1	3	2	1	1	1	6	1	1	3	3	2	/	2	2	1	1	2	1	4	6	1	1	1	1	2	1	1
EVMSG15 7/11	1	1	4	2	1	1	1	7	1	1	4	3	2	/	2	2	1	1	2	1	4	7	1	1	1	1	2	1	1
EVMSG15 8/15	1	1	5	2	1	1	1	8	1	1	5	3	2	/	2	2	1	1	2	1	4	8	1	1	1	1	2	1	1
EVMSG15 9/15	1	1	6	2	1	1	1	9	1	1	6	3	2	/	2	2	1	1	2	1	4	9	1	1	1	1	2	1	1
EVMSG15 10/15	1	1	7	2	1	1	1	10	1	1	7	3	2	/	2	2	1	1	2	1	4	10	1	1	1	1	2	1	1
EVMSG15 11/18.5	1	1	8	2	1	1	1	11	1	1	8	3	2	/	2	2	1	1	2	1	4	11	1	1	1	1	2	1	1
EVMSG15 12/18.5	1	1	9	2	1	1	1	12	1	1	9	3	2	/	2	2	1	1	2	1	4	12	1	1	1	1	2	1	1

Pump Type	N°																						
	117*	120-1	120-3	120-6	120-11*	120-13	128-1	128-3	128-6	130-1	130-2	131-1	135-1	135-6	137-1	140	162	212	212-1	212-2	219*	245	273-1
EVMSG15 1/1.5	2	4	4	4	4	4	4	/	4	3	4	1	4	4	1	2	1	1	4	1	2	2	4
EVMSG15 2/3.0	2	4	4	4	4	4	4	/	4	3	4	1	4	4	1	2	1	1	4	1	2	2	4
EVMSG15 3/5.5	2	4	4	4	4	4	4	/	3	4	1	4	/	1	2	1	1	4	1	2	2	4	
EVMSG15 4/7.5	2	4	4	4	4	4	4	/	3	4	1	4	/	1	2	1	1	4	1	2	2	4	
EVMSG15 5/7.5	2	4	4	4	4	4	4	/	3	4	1	4	/	1	2	1	1	4	1	2	2	4	
EVMSG15 6/11	2	4	4	4	4	4	4	/	3	4	1	4	/	1	2	1	1	4	1	2	2	4	
EVMSG15 7/11	2	4	4	4	4	4	4	/	3	4	1	4	/	1	2	1	1	4	1	2	2	4	
EVMSG15 8/15	/	4	4	4	/	4	4	4	/	3	4	1	4	/	1	2	1	1	4	1	/	2	4
EVMSG15 9/15	/	4	4	4	/	4	4	4	/	3	4	1	4	/	1	2	1	1	4	1	/	2	4
EVMSG15 10/15	/	4	4	4	/	4	4	4	/	3	4	1	4	/	1	2	1	1	4	1	/	2	4
EVMSG15 11/18.5	/	4	4	4	/	4	4	4	/	3	4	1	4	/	1	2	1	1	4	1	/	2	4
EVMSG15 12/18.5	/	4	4	4	/	4	4	4	/	3	4	1	4	/	1	2	1	1	4	1	/	2	4

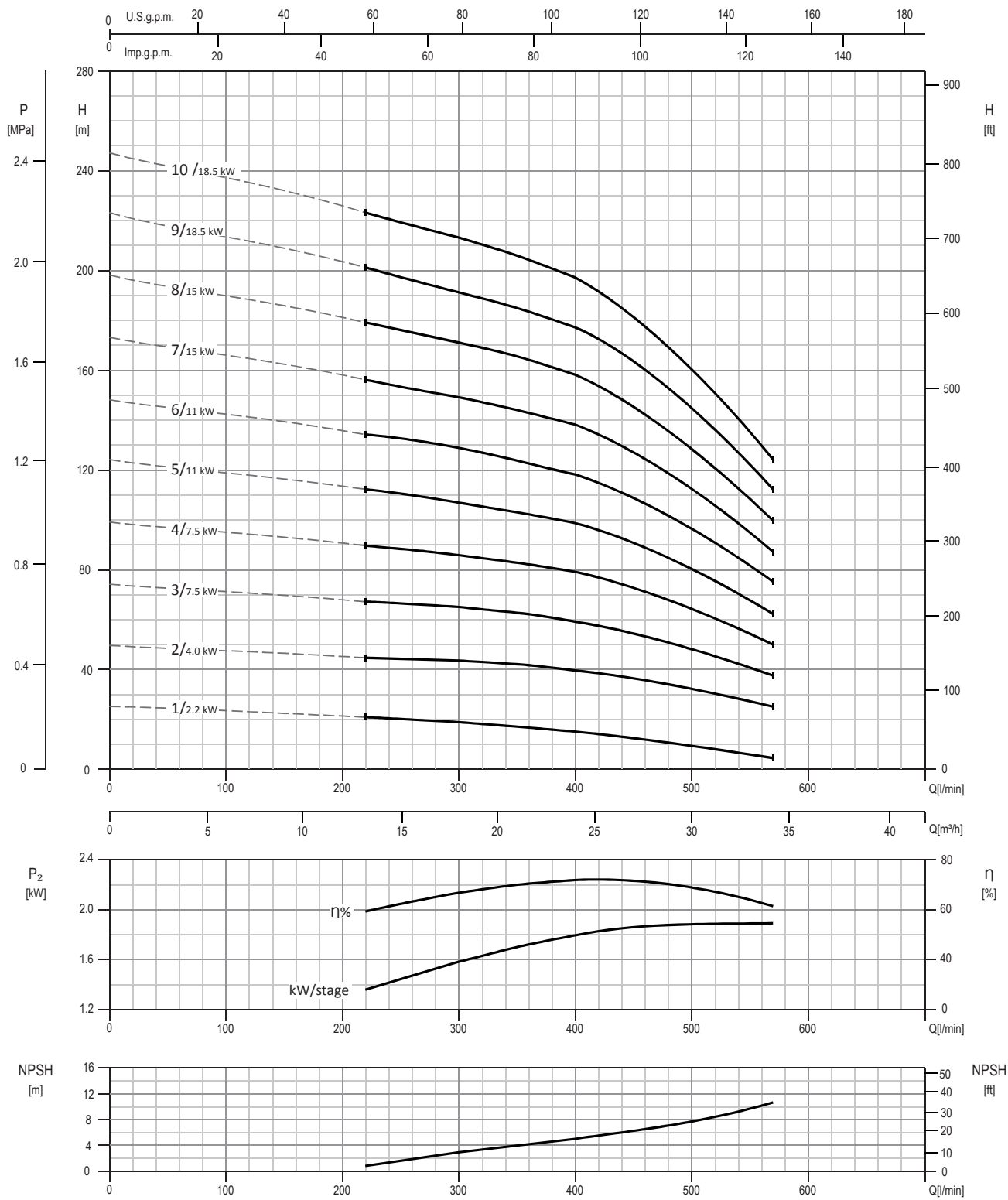
* only for Oval flange (N)

*** shaft in EN 1.4462 (AISI 329A)

128-6 / 135-6: with Aluminium coupling (see drawing pag.18)

PERFORMANCE CURVE
EVMS(L)20

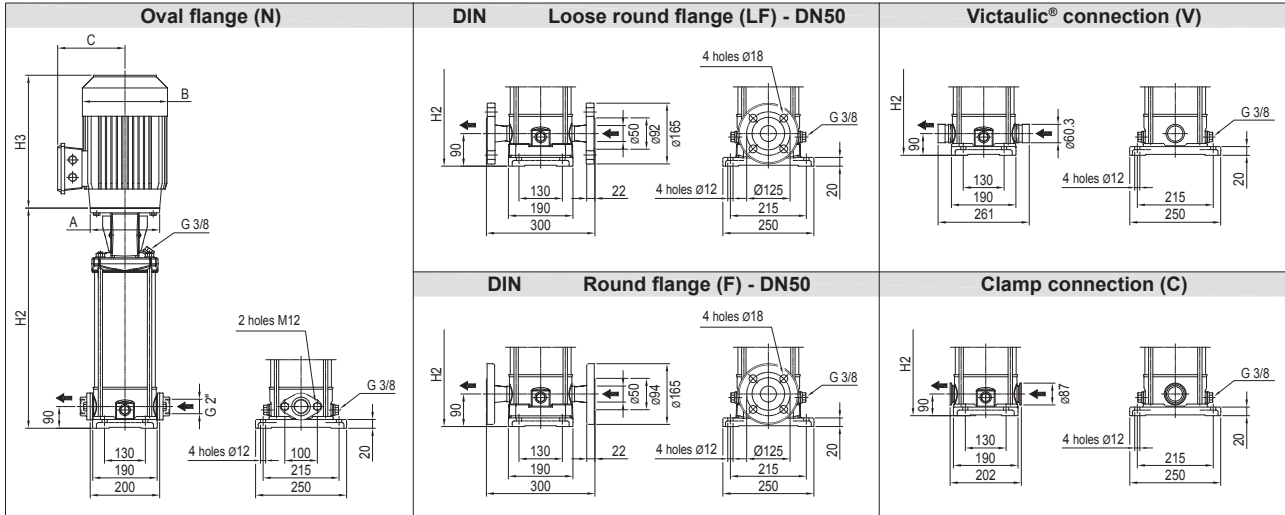
EVMS(L)20



Test standard: ISO 9906:2012 - Grade 3B

TECHNICAL DATA EVMS(L)20

Dimensional sketch

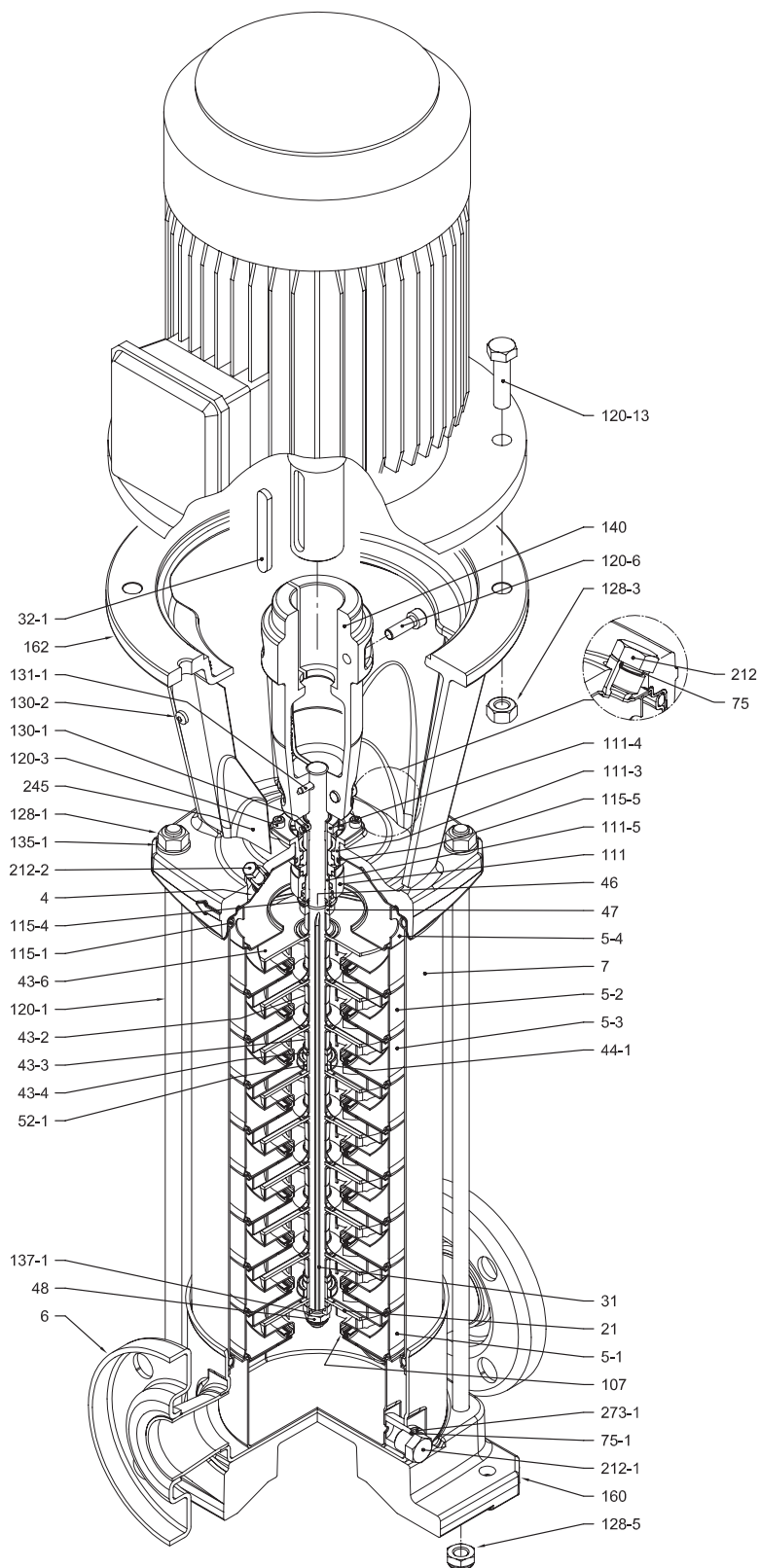


Dimensions [mm] and Weights [Kg]

Pump Type	P _{max} [MPa]	Motor			Oval flange (N)				Loose round flange (LF) Round flange (F)				Victaulic® connection (V) Clamp connection (C)				
		kW	Size	A Ø	3 ~ B C	H2	H2+H3	Weight Pump	Weight Pump + Motor	H2	H2+H3	Weight Pump	Weight Pump + Motor	H2	H2+H3	Weight Pump	Weight Pump + Motor
EVMS(L)20 1/2.2	1.6	2.2	90	140	160 119	387	678	16.9	31.9	387	678	18.7	33.7	387	678	16.8	31.8
EVMS(L)20 2/4.0	1.6	4.0	112	160	193 138	397	761	17.3	45.8	397	761	19.1	47.6	397	761	17.2	45.7
EVMS(L)20 3/7.5	1.6	7.5	132	300	220 152	534	953	25.5	71.5	534	953	27.4	73.4	534	953	25.5	71.5
EVMS(L)20 4/7.5	1.6	7.5	132	300	220 152	574	993	26.8	72.8	574	993	28.6	74.6	574	993	26.7	72.7
EVMS(L)20 5/11	1.6	11	160	350	259 180	644	1084	36.2	98.7	644	1084	38	100.5	644	1084	36.1	98.6
EVMS(L)20 6/11	1.6	11	160	350	259 180	684	1124	36.4	98.9	684	1124	38.3	100.8	684	1124	36.4	98.9
EVMS(L)20 7/15	2.5	15	160	350	311 240	-	-	-	-	724	1219	41.2	142.2	724	1219	39.3	140.3
EVMS(L)20 8/15	2.5	15	160	350	311 240	-	-	-	-	764	1259	42.5	143.5	764	1259	40.6	141.6
EVMS(L)20 9/18.5	2.5	18.5	160	350	311 240	-	-	-	-	804	1299	43.9	152.9	804	1299	42	151.0
EVMS(L)20 10/18.5	2.5	18.5	160	350	311 240	-	-	-	-	844	1339	45.2	154.2	844	1339	43.3	152.3

1.6 MPa=16 bar; 2.5 MPa=25 bar
- not available model

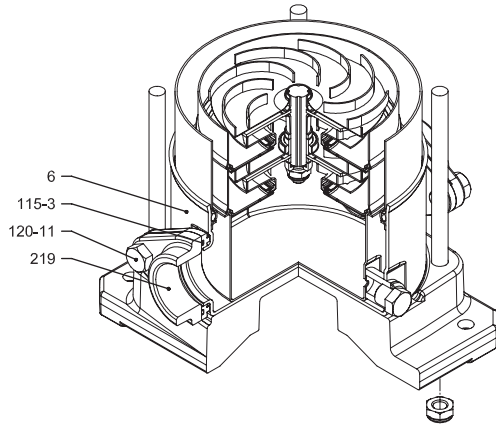
SECTIONAL VIEW
EVMS(L)20



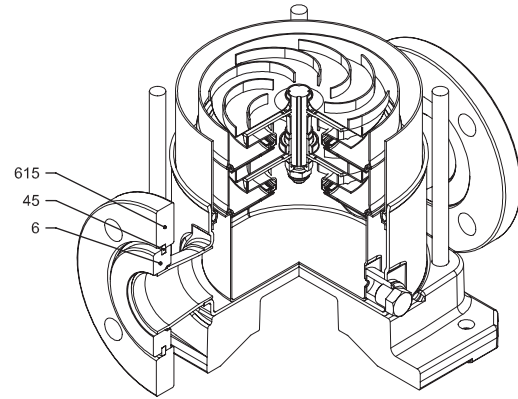
with Round flange (F)

PIPE CONNECTION EVMS(L)20

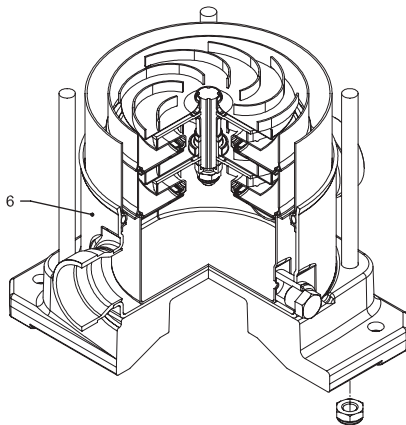
EVMS(L)20



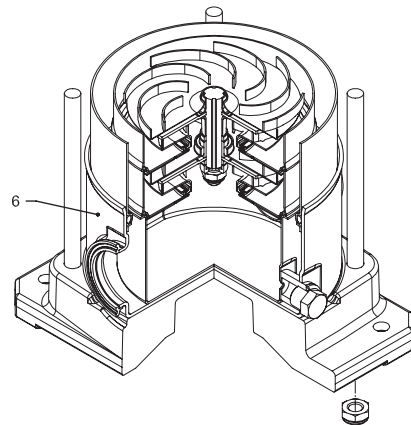
with Oval flange (N)



with Loose round flange (LF)



with Victaulic® connection (V)



with Clamp connection (C)

SECTIONAL TABLE
EVMS(L)20

N°	PART NAME	MATERIAL		DIMENSIONS	STANDARD
		EVMS	EVMSL		
4	Casing cover	EN 1.4301 (AISI 304)	EN 1.4404 (AISI 316L)		
5-1	Suction casing	EN 1.4301 (AISI 304)	EN 1.4404 (AISI 316L)		
5-2	Intermediate casing	EN 1.4301 (AISI 304)	EN 1.4404 (AISI 316L)		
5-3	Intermediate casing with bearing	EN 1.4301 (AISI 304)	EN 1.4404 (AISI 316L)		
5-4	Discharge casing	EN 1.4301 (AISI 304)	EN 1.4404 (AISI 316L)		
6	Bottom casing	EN 1.4301 (AISI 304)	EN 1.4404 (AISI 316L)		
7	Outer casing	EN 1.4301 (AISI 304)	EN 1.4404 (AISI 316L)		
21	Impeller	EN 1.4301 (AISI 304)	EN 1.4404 (AISI 316L)		
31	Shaft	EN 1.4301 (AISI 304) - EN 1.4462 (AISI 329A)	EN 1.4404 (AISI 316L) - EN 1.4462 (AISI 329A)		
32-1	Adjuster key	EN 1.4301 (AISI 304)			
43-2	Shaft sleeve (intermediate)	EN 1.4301 (AISI 304)	EN 1.4404 (AISI 316L)		
43-3	Shaft sleeve (bearing + discharge casing)	EN 1.4301 (AISI 304)	EN 1.4404 (AISI 316L)		
43-4	Shaft sleeve (adjustment)	EN 1.4301 (AISI 304)	EN 1.4404 (AISI 316L)		
43-6	Washer	EN 1.4404 (AISI 316L)		Ø26x2.5	
44-1	Shaft sleeve bearing	Tungsten carbide			
45	Flange holder	EN 1.4301 (AISI 304)			
46	Ring (mechanical seal)	EN 1.4404 (AISI 316L)			
47	Ring holder	EN 1.4301 (AISI 304)	EN 1.4404 (AISI 316L)		
48	Impeller nut	EN 1.4301 (AISI 304) with inox insert	EN 1.4401 (AISI 316) with inox insert	M10	
52-1	Sleeve bearing	Tungsten carbide			
75	O-Ring (priming plug)	EPDM / FPM		Ø12.37x2.62	OR 3050
75-1	O-Ring (drainage plug)	EPDM / FPM			
107	Liner ring	EN 1.4301 (AISI 304) + PPS	EN 1.4404 (AISI 316L) + PPS		
111	Mechanical seal	see pages 6-7			
111-3	Mechanical seal seat	EN 1.4308 (ASTM CF8)	EN 1.4408 (ASTM CF8M)		
111-4	Seal holder	EN 1.4301 (AISI 304)			
111-5	Mechanical seal cartridge sleeve	EN 1.4301 (AISI 304)	EN 1.4404 (AISI 316L)		
115-1	O-Ring (outer casing)	EPDM / FPM		Ø164.46x5.34	OR 6945
115-3	O-Ring	EPDM / FPM			
115-4	O-Ring (cartridge sleeve)	EPDM / FPM		Ø15.88x2.62	OR 4093
115-5	O-Ring (seal flange)	EPDM / FPM		Ø37.77x2.62	OR 4175
120-1	Tie-rod	EN 1.4057 (AISI 431)		M12	
120-3	Screw (seal flange)	A2-70		M5x12	ISO 4762
120-6	Screw (pump coupling)	up to 4.0 kW from 5.5 kW to 7.5 kW above 11 kW	Galvanized steel	M6x25	ISO 4762
				M8x20	ISO 4762
				M10x30	ISO 4762
120-11	Screw (counterflange)	A2-70			
120-13	Screw for motor	MEC 90-100-112 MEC 132 MEC 160	Galvanized steel 8.8 strength class ISO 898/1	M8x20	ISO 4017
				M12x40	ISO 4017
				M16x50	ISO 4017
128-1	Nut (tie rod)	A2-70		M12	ISO 4032
128-3	Nut (motor)	MEC 132 MEC 160	Galvanized steel	M12	ISO 4032
				M16	ISO 4032
128-5	Nut (tie rod)	A2-70		M12	UNI 7474
128-6	Nut (aluminium coupling)	MEC 71-80-90-100-112	Galvanized steel	M6	ISO 4032
130-1	Set screw	EN 1.4301 (AISI 304)		M5x8	ISO 4026
130-2	Screw for coupling guard	A2-70		M5x6	UNI 7687
131-1	Pin for shaft	Carbon Steel		Ø5x35	ISO 2338
135-1	Washer (tie rod)	EN 1.4301 (AISI 304)		Ø13x24x2.5	ISO 7089
135-6	Washer (aluminium coupling)	up to 4.0 kW	Carbon Steel	Ø6	
137-1	Impeller spacer	EN 1.4301 (AISI 304)	EN 1.4404 (AISI 316L)		
140	Coupling	up to 4.0 kW above 5.5 kW	Die cast Aluminium EN AB-AISI11 Cu2 (Fe)		
160	Base	Cast Iron			
162	Motor bracket	Die cast Aluminium EN AB-AISI11 Cu2 (Fe)			
212	Motor bracket	Cast iron EN-GJL-250			
212	Priming plug	EN 1.4301 (AISI 304)	EN 1.4404 (AISI 316L)	G 3/8	
212-1	Drainage plug	EN 1.4301 (AISI 304)	EN 1.4404 (AISI 316L)	G 3/8	
212-2	Venting plug	EN 1.4404 (AISI 316L)			
219	Counter flange	flange type: N	EN 1.4308 (ASTM CF8)	EN 1.4408 (ASTM CF8M)	
		flange type: LF-F-V-C	EN 1.4301 (AISI 304)	EN 1.4404 (AISI 316L)	
245	Coupling guard	EN 1.4301 (AISI 304)			
273-1	Washer (drainage plug)	EN 1.4301 (AISI 304)	EN 1.4404 (AISI 316L)		
615	Flange	Carbon Steel			

QUANTITY FOR MODEL EVMS(L)20

Pump Type	7N°																															
	4	5-1	52	53	54	6	7	21	31***	32-1	43-2	43-3	43-4	43-6	44-1	45**	46	47	48	52-1	75	75-1	107	111	111-3	111-4	111-5	115-1	115-3*	115-4	115-5	
EVMS(L)20 1/2.2	1	1	/	1	1	1	1	1	1	1	/	2	1	1	1	4	2	1	1	1	1	2	1	1	1	1	1	1	2	2	1	1
EVMS(L)20 2/4.0	1	1	/	1	1	1	1	2	1	1	/	2	1	/	1	4	2	1	1	1	1	2	2	1	1	1	1	1	2	2	1	1
EVMS(L)20 3/7.5	1	1	1	1	1	1	1	3	1	1	1	2	1	/	1	4	2	1	1	1	1	2	3	1	1	1	1	1	2	2	1	1
EVMS(L)20 4/7.5	1	1	2	1	1	1	1	4	1	1	2	2	1	/	1	4	2	1	1	1	1	2	4	1	1	1	1	1	2	2	1	1
EVMS(L)20 5/11	1	1	2	2	1	1	1	5	1	1	2	3	2	/	2	4	2	1	1	2	1	2	5	1	1	1	1	1	2	2	1	1
EVMS(L)20 6/11	1	1	3	2	1	1	1	6	1	1	3	3	2	/	2	4	2	1	1	2	1	2	6	1	1	1	1	1	2	2	1	1
EVMS(L)20 7/15	1	1	4	2	1	1	1	7	1	1	4	3	2	/	2	4	2	1	1	2	1	2	7	1	1	1	1	1	2	/	1	1
EVMS(L)20 8/15	1	1	5	2	1	1	1	8	1	1	5	3	2	/	2	4	2	1	1	2	1	2	8	1	1	1	1	1	2	/	1	1
EVMS(L)20 9/18.5	1	1	6	2	1	1	1	9	1	1	6	3	2	/	2	4	2	1	1	2	1	2	9	1	1	1	1	1	2	/	1	1
EVMS(L)20 10/18.5	1	1	7	2	1	1	1	10	1	1	7	3	2	/	2	4	2	1	1	2	1	2	10	1	1	1	1	1	2	/	1	1

Pump Type	N°																								
	120-1	120-3	120-6	120-11*	120-13	128-1	128-3	128-5	128-6	130-1	130-2	131-1	135-1	135-6	137-1	140	160	162	212	212-1	212-2	219*	245	273-1	615**
EVMS(L)20 1/2.2	4	4	4	4	4	4	/	4	4	3	4	1	4	4	1	2	1	1	1	2	1	2	2	2	2
EVMS(L)20 2/4.0	4	4	4	4	4	4	/	4	4	3	4	1	4	4	1	2	1	1	1	2	1	2	2	2	2
EVMS(L)20 3/7.5	4	4	4	4	4	4	4	4	/	3	4	1	4	/	1	2	1	1	1	2	1	2	2	2	2
EVMS(L)20 4/7.5	4	4	4	4	4	4	4	4	/	3	4	1	4	/	1	2	1	1	1	2	1	2	2	2	2
EVMS(L)20 5/11	4	4	4	4	4	4	4	4	/	3	4	1	4	/	1	2	1	1	1	2	1	2	2	2	2
EVMS(L)20 6/11	4	4	4	4	4	4	4	4	/	3	4	1	4	/	1	2	1	1	1	2	1	2	2	2	2
EVMS(L)20 7/15	4	4	4	/	4	4	4	4	/	3	4	1	4	/	1	2	1	1	1	2	1	/	2	2	2
EVMS(L)20 8/15	4	4	4	/	4	4	4	4	/	3	4	1	4	/	1	2	1	1	1	2	1	/	2	2	2
EVMS(L)20 9/18.5	4	4	4	/	4	4	4	4	/	3	4	1	4	/	1	2	1	1	1	2	1	/	2	2	2
EVMS(L)20 10/18.5	4	4	4	/	4	4	4	4	/	3	4	1	4	/	1	2	1	1	1	2	1	/	2	2	2

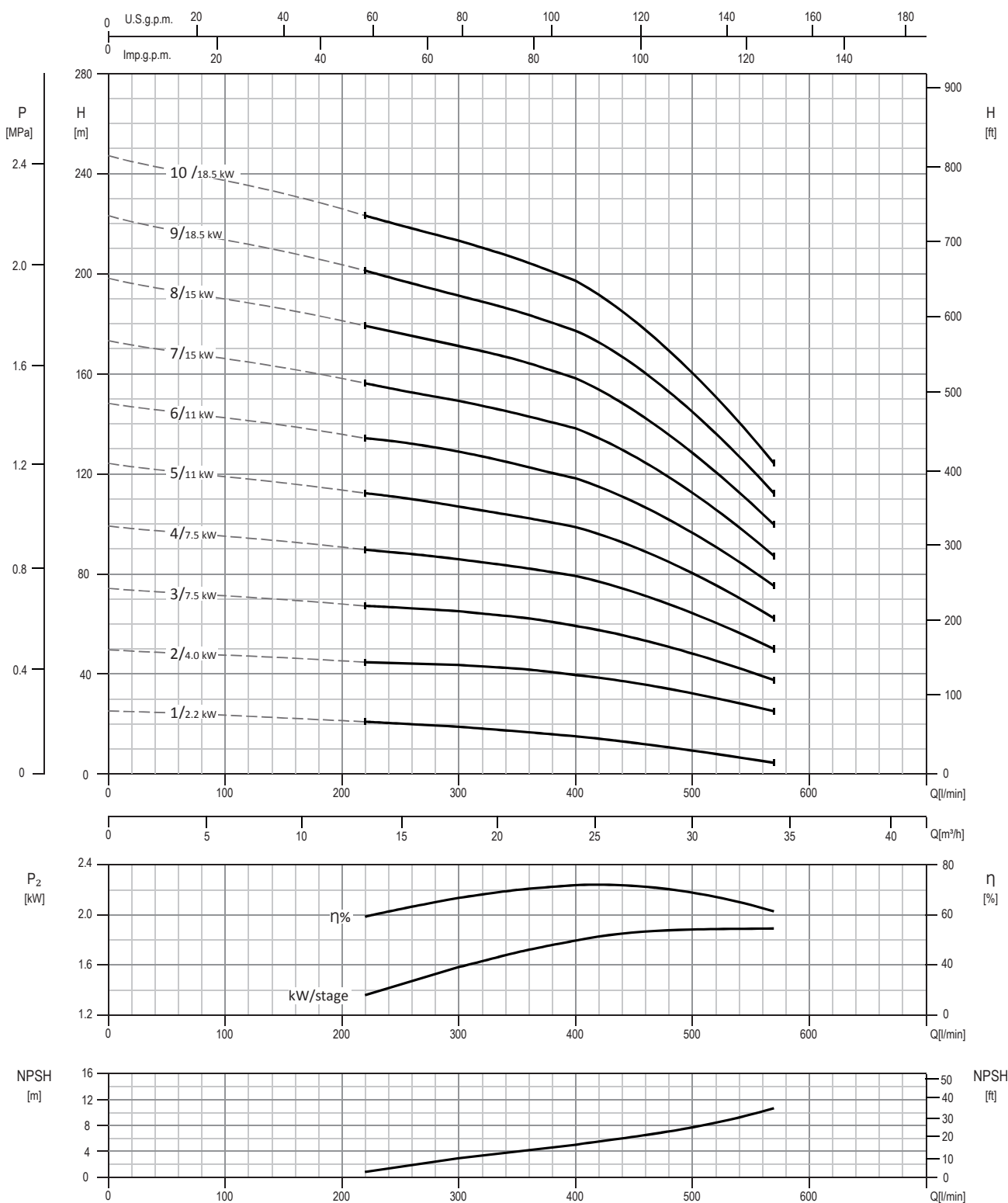
* only for Oval flange (N)

** only for Loose round flange (LF)

*** shaft in EN 1.4462 (AISI 329A)

128-6 / 135-6: with Aluminium coupling (see drawing pag.18)

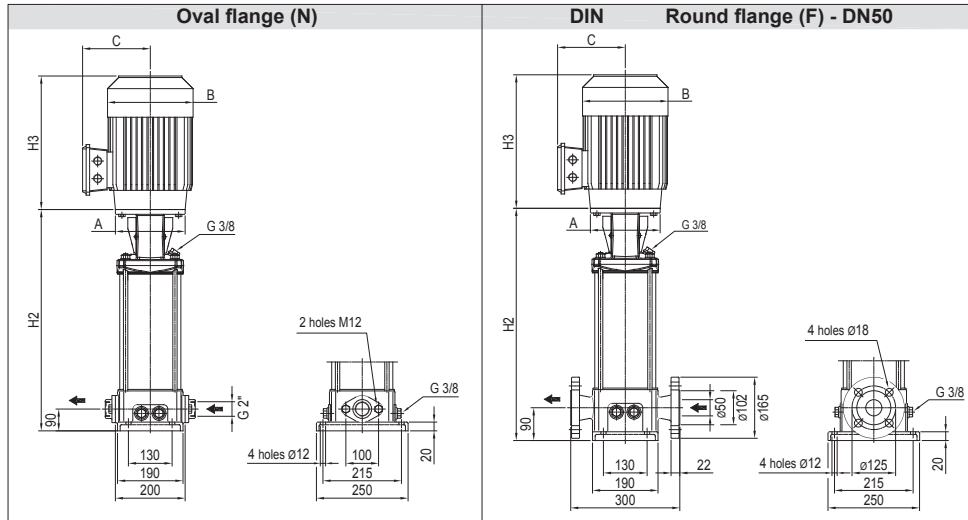
PERFORMANCE CURVE
EVMSG20



Test standard: ISO 9906:2012 - Grade 3B

TECHNICAL DATA EVMSG20

Dimensional sketch



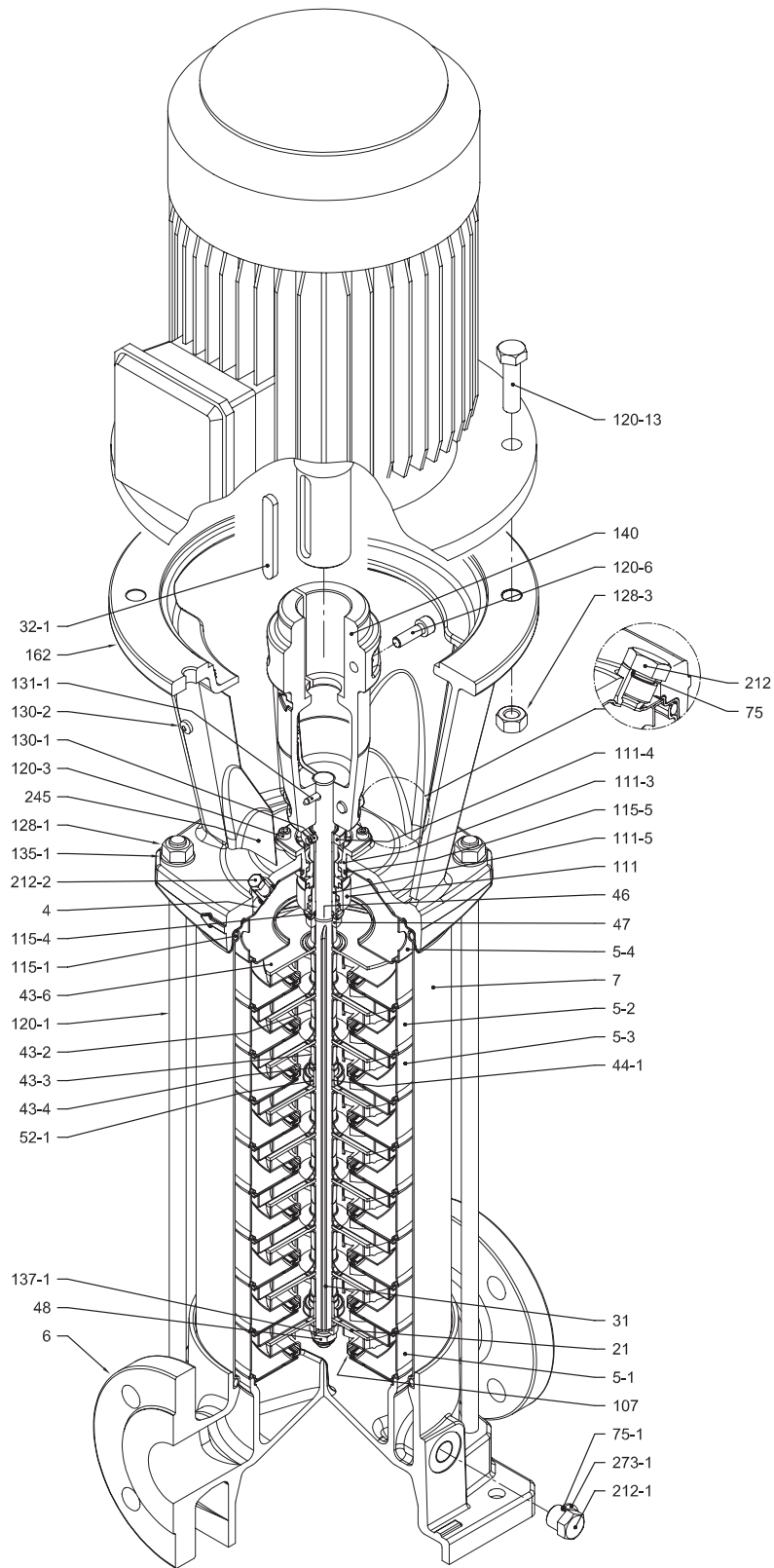
Dimensions [mm] and Weights [Kg]

Pump Type	Pmax [MPa]	kW	Motor			Oval flange (N)				Round flange (F)			
			Size	A Ø	3 ~ B C	H2	H2+H3	Weight Pump	Weight Pump + Motor	H2	H2+H3	Weight Pump	Weight Pump + Motor
EVMSG20 1/2.2	1.6	2.2	90	140	160 119	387	678	21.2	36.2	387	678	26.9	41.9
EVMSG20 2/4.0	1.6	4.0	112	160	193 138	397	761	21.6	50.1	397	761	27.3	55.8
EVMSG20 3/7.5	1.6	7.5	132	300	220 152	534	953	29.9	75.9	534	953	35.6	81.6
EVMSG20 4/7.5	1.6	7.5	132	300	220 152	574	993	31.1	77.1	574	993	36.8	82.8
EVMSG20 5/11	1.6	11	160	350	259 180	644	1084	40.5	103.0	644	1084	46.2	108.7
EVMSG20 6/11	1.6	11	160	350	259 180	684	1124	40.7	103.2	684	1124	46.4	108.9
EVMSG20 7/15	2.5	15	160	350	311 240	-	-	-	-	724	1219	49.4	150.4
EVMSG20 8/15	2.5	15	160	350	311 240	-	-	-	-	764	1259	50.7	151.7
EVMSG20 9/18.5	2.5	18.5	160	350	311 240	-	-	-	-	804	1299	52	161.0
EVMSG20 10/18.5	2.5	18.5	160	350	311 240	-	-	-	-	844	1339	53.4	162.4

1.6 MPa=16 bar; 2.5 MPa=25 bar
- not available model

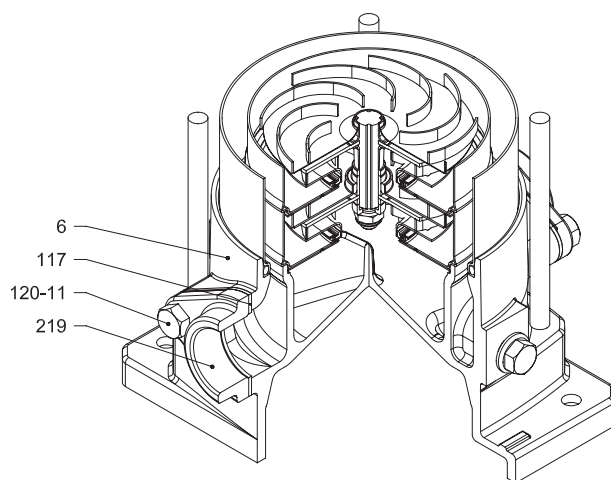
SECTIONAL VIEW
EVMSG20

EVMSG20



with Round flange (F)

PIPE CONNECTION EVMSG20



with Oval flange (N)

SECTIONAL TABLE
EVMSG20

N°	PART NAME	MATERIAL EVMSG	DIMENSIONS	STANDARD	
4	Casing cover	EN 1.4301 (AISI 304)			
5-1	Suction casing	EN 1.4301 (AISI 304)			
5-2	Intermediate casing	EN 1.4301 (AISI 304)			
5-3	Intermediate casing with bearing	EN 1.4301 (AISI 304)			
5-4	Discharge casing	EN 1.4301 (AISI 304)			
6	Bottom casing	Cast Iron EN G.JL-250			
7	Outer casing	EN 1.4301 (AISI 304)			
21	Impeller	EN 1.4301 (AISI 304)			
31	Shaft	EN 1.4301 (AISI 304) - EN 1.4462 (AISI 329A)			
32-1	Adjuster key	EN 1.4301 (AISI 304)			
43-2	Shaft sleeve (intermediate)	EN 1.4301 (AISI 304)			
43-3	Shaft sleeve (bearing + discharge casing)	EN 1.4301 (AISI 304)			
43-4	Shaft sleeve (adjustment)	EN 1.4301 (AISI 304)			
43-6	Washer	EN 1.4404 (AISI 316L)	Ø26x2.5		
44-1	Shaft sleeve bearing	Tungsten carbide			
46	Ring (mechanical seal)	EN 1.4404 (AISI 316L)			
47	Ring holder	EN 1.4404 (AISI 316L)			
48	Impeller nut	EN 1.4301 (AISI 304) with inox insert	M10		
52-1	Sleeve bearing	Tungsten carbide			
75	O-Ring (priming plug)	EPDM / FPM	Ø12.37x2.62	OR 3050	
75-1	O-Ring (drainage plug)	EPDM / FPM			
107	Liner ring	EN 1.4301 (AISI 304) + PPS			
111	Mechanical seal	see pages 6-7			
111-3	Mechanical seal seat	EN 1.4308 (ASTM CF8)			
111-4	Seal holder	EN 1.4301 (AISI 304)			
111-5	Mechanical seal cartridge sleeve	EN 1.4301 (AISI 304)			
115-1	O-Ring (outer casing)	EPDM / FPM	Ø164.46x5.34	OR 6945	
115-4	O-Ring (cartridge sleeve)	EPDM / FPM	Ø15.88x2.62	OR 4093	
115-5	O-Ring (seal flange)	EPDM / FPM	Ø37.77x2.62	OR 4175	
117	Flange gasket	EPDM / FPM			
120-1	Tie-rod	EN 1.4057 (AISI 431)	M12		
120-3	Screw (seal flange)	A2-70	M5x12	ISO 4762	
120-6	Screw (pump coupling)	Galvanized steel 6.8 strength class ISO 898/1	up to 4.0 kW	M6x25	ISO 4762
			from 5.5 kW to 7.5 kW	M8x20	ISO 4762
			above 11 kW	M10x30	ISO 4762
120-11	Screw (counterflange)	A2-70			
120-13	Screw for motor	Galvanized steel 8.8 strength class ISO 898/1	MEC 90-100-112	M8x20	ISO 4017
			MEC 132	M12x40	ISO 4017
			MEC 160	M16x50	ISO 4017
128-1	Nut (tie rod)	A2-70	M12	ISO 4032	
128-3	Nut (motor)	Galvanized steel	MEC 132	M12	ISO 4032
			MEC 160	M16	ISO 4032
128-6	Nut (aluminium coupling)	Galvanized steel	M6	ISO 4032	
130-1	Set screw	EN 1.4301 (AISI 304)	M5x8	ISO 4026	
130-2	Screw for coupling guard	A2-70	M5x6	UNI 7687	
131-1	Pin for shaft	Carbon Steel	Ø5x35	ISO 2338	
135-1	Washer (tie rod)	EN 1.4301 (AISI 304)	Ø13x24x2.5	ISO 7089	
135-6	Washer (aluminium coupling)	Carbon Steel	Ø6		
137-1	Impeller spacer	EN 1.4301 (AISI 304)			
140	Coupling	up to 4.0 kW	Die cast Aluminium EN AB-AISI11Cu2 (Fe)		
		above 5.5 kW	Cast Iron		
162	Motor bracket	Cast iron EN-G.JL-250			
212	Priming plug	EN 1.4301 (AISI 304)	G 3/8		
212-1	Drainage plug	EN 1.4301 (AISI 304)	G 3/8		
212-2	Venting plug	EN 1.4404 (AISI 316L)			
219	Counter flange	flange type: N	Galvanized steel		
		flange type: F	Cast Iron EN-G.JL-250		
245	Coupling guard	EN 1.4301 (AISI 304)			
273-1	Washer (drainage plug)	EN 1.4301 (AISI 304)			

QUANTITY FOR MODEL EVMSG20

Pump Type	N°																												
	4	5-1	52	53	54	6	7	21	31***	32-1	43-2	43-3	43-4	43-6	44-1	46	47	48	52-1	75	75-1	107	111	111-3	111-4	111-5	115-1	115-4	115-5
EVMSG20 1/2.2	1	1	/	1	1	1	1	1	1	/	2	1	1	1	2	1	1	1	1	4	1	1	1	1	1	1	2	1	1
EVMSG20 2/4.0	1	1	/	1	1	1	1	2	1	/	2	1	/	1	2	1	1	1	1	4	2	1	1	1	1	1	2	1	1
EVMSG20 3/7.5	1	1	1	1	1	1	1	3	1	1	2	1	/	1	2	1	1	1	1	4	3	1	1	1	1	1	2	1	1
EVMSG20 4/7.5	1	1	2	1	1	1	1	4	1	1	2	2	1	/	1	2	1	1	1	4	4	1	1	1	1	1	2	1	1
EVMSG20 5/11	1	1	2	2	1	1	1	5	1	1	2	3	2	/	2	2	1	1	2	1	4	5	1	1	1	1	2	1	1
EVMSG20 6/11	1	1	3	2	1	1	1	6	1	1	3	3	2	/	2	2	1	1	2	1	4	6	1	1	1	1	2	1	1
EVMSG20 7/15	1	1	4	2	1	1	1	7	1	1	4	3	2	/	2	2	1	1	2	1	4	7	1	1	1	1	2	1	1
EVMSG20 8/15	1	1	5	2	1	1	1	8	1	1	5	3	2	/	2	2	1	1	2	1	4	8	1	1	1	1	2	1	1
EVMSG20 9/18.5	1	1	6	2	1	1	1	9	1	1	6	3	2	/	2	2	1	1	2	1	4	9	1	1	1	1	2	1	1
EVMSG20 10/18.5	1	1	7	2	1	1	1	10	1	1	7	3	2	/	2	2	1	1	2	1	4	10	1	1	1	1	2	1	1

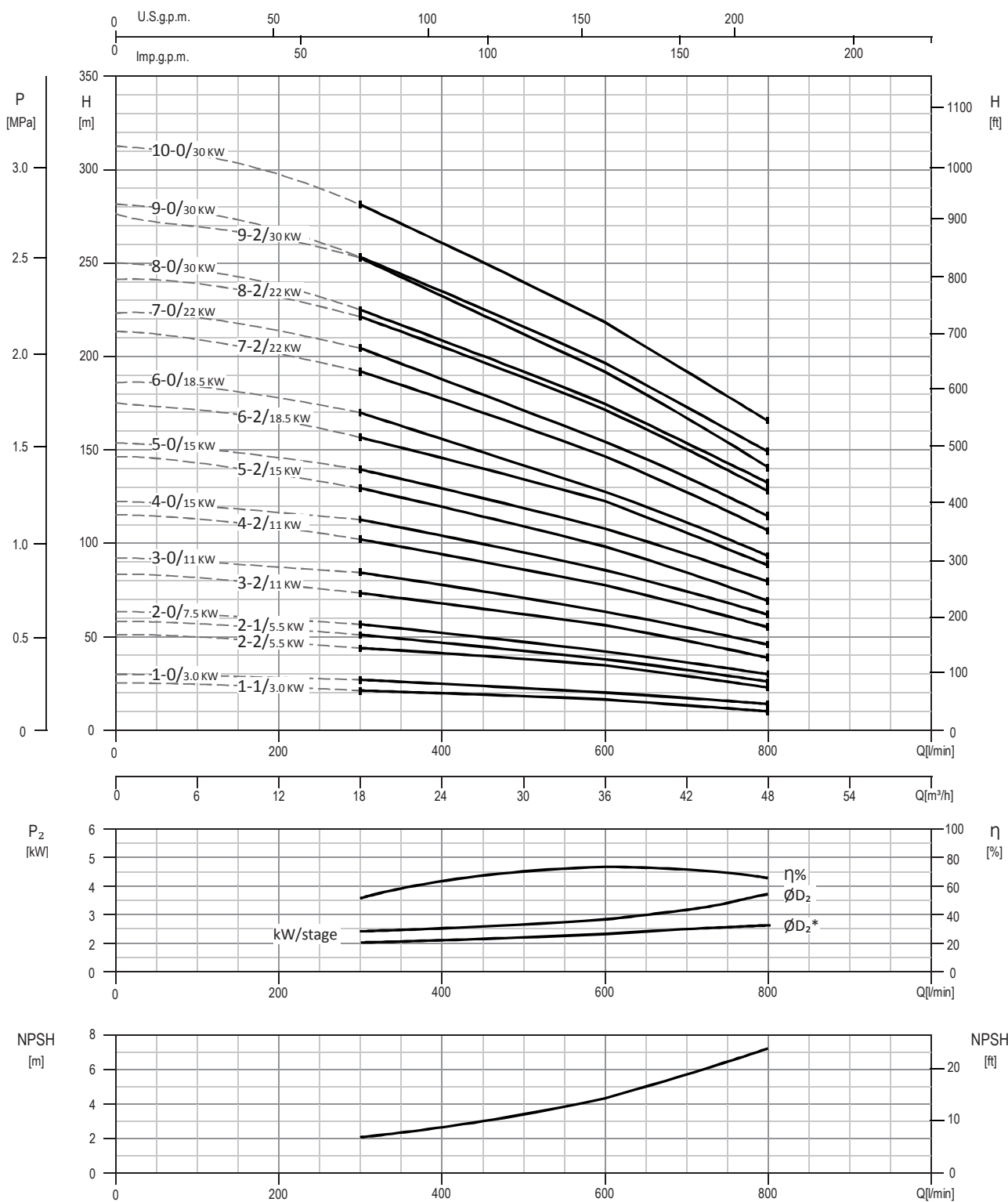
Pump Type	N°																							
	117*	120-1	120-3	120-6	120-11*	120-13	128-1	128-3	128-6	130-1	130-2	131-1	135-1	135-6	137-1	140	162	212	212-1	212-2	219*	245	273-1	
EVMSG20 1/2.2	2	4	4	4	4	4	4	/	4	3	4	1	4	4	1	2	1	1	4	1	2	2	4	
EVMSG20 2/4.0	2	4	4	4	4	4	4	/	4	3	4	1	4	4	1	2	1	1	4	1	2	2	4	
EVMSG20 3/7.5	2	4	4	4	4	4	4	/	3	4	1	4	/	1	2	1	1	4	1	2	2	4		
EVMSG20 4/7.5	2	4	4	4	4	4	4	/	3	4	1	4	/	1	2	1	1	4	1	2	2	4		
EVMSG20 5/11	2	4	4	4	4	4	4	/	3	4	1	4	/	1	2	1	1	4	1	2	2	4		
EVMSG20 6/11	2	4	4	4	4	4	4	/	3	4	1	4	/	1	2	1	1	4	1	2	2	4		
EVMSG20 7/15	/	4	4	4	/	4	4	/	3	4	1	4	/	1	2	1	1	4	1	/	2	4		
EVMSG20 8/15	/	4	4	4	/	4	4	/	3	4	1	4	/	1	2	1	1	4	1	/	2	4		
EVMSG20 9/18.5	/	4	4	4	/	4	4	/	3	4	1	4	/	1	2	1	1	4	1	/	2	4		
EVMSG20 10/18.5	/	4	4	4	/	4	4	/	3	4	1	4	/	1	2	1	1	4	1	/	2	4		

* only for Oval flange (N)

*** shaft in EN 1.4462 (AISI 329A)

128-6 / 135-6: with Aluminium coupling (see drawing pag.18)

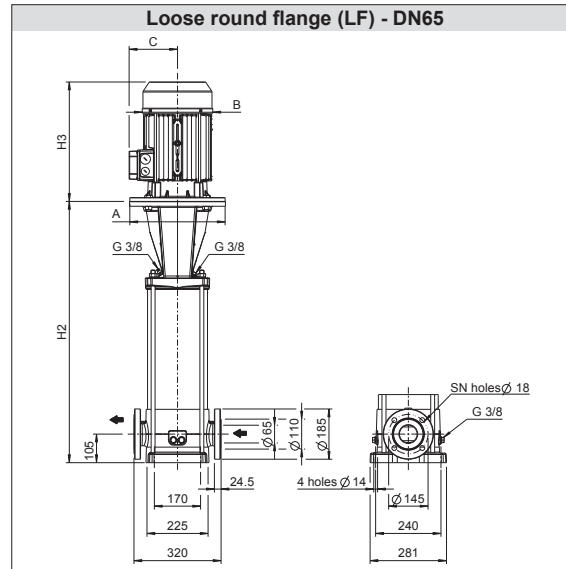
PERFORMANCE CURVE
EVMS(L)32



Test standard: ISO 9906:2012 - Grade 3B

TECHNICAL DATA EVMS(L)32

Dimensional sketch



Dimensions [mm] and Weights [Kg]

Pump Type	Pmax [MPa]	Motor					Loose round flange (LF)				Weight Pump	Weight Pump + Motor
		kW	Size	A	B	C	H2	H2+H3	SN			
EVMS(L)32 1-1/3.0	1.6	3.0	100	160	176	123	461	803	4	48.7	70.7	
EVMS(L)32 1-0/3.0	1.6	3.0	100	160	176	123	461	803	4	48.7	70.7	
EVMS(L)32 2-2/5.5	1.6	5.5	132	300	220	152	635	1035	4	62.8	101.8	
EVMS(L)32 2-1/5.5	1.6	5.5	132	300	220	152	635	1035	4	62.8	101.8	
EVMS(L)32 2-0/7.5	1.6	7.5	132	300	220	152	635	1055	4	62.8	108.8	
EVMS(L)32 3-2/11	1.6	11	160	350	259	180	735	1174	4	72.6	135.1	
EVMS(L)32 3-0/11	1.6	11	160	350	259	180	735	1174	4	72.6	135.1	
EVMS(L)32 4-2/11	1.6	11	160	350	259	180	805	1244	4	75.8	138.3	
EVMS(L)32 4-0/15	1.6	15	160	350	311	240	805	1300	4	64.8	165.8	
EVMS(L)32 5-2/15	1.6	15	160	350	311	240	875	1370	4	68.1	169.1	
EVMS(L)32 5-0/15	1.6	15	160	350	311	240	875	1370	4	68.1	169.1	
EVMS(L)32 6-2/18.5	2.5	18.5	160	350	311	240	945	1440	4	75.4	184.4	
EVMS(L)32 6-0/18.5	2.5	18.5	160	350	311	240	945	1440	4	75.4	184.4	
EVMS(L)32 7-2/22	2.5	22	180	350	354	260	1015	1567	4	75.7	210.7	
EVMS(L)32 7-0/22	2.5	22	180	350	354	260	1015	1567	8	75.7	210.7	
EVMS(L)32 8-2/22	2.5	22	180	350	354	260	1085	1637	8	80.7	215.7	
EVMS(L)32 8-0/30	3.0	30	200	400	354	280	1085	1637	8	73.0	241.0	
EVMS(L)32 9-2/30	3.0	30	200	400	354	280	1155	1707	8	76.5	244.5	
EVMS(L)32 9-0/30	3.0	30	200	400	354	280	1155	1707	8	76.5	244.5	
EVMS(L)32 10-0/30	3.0	30	200	400	354	280	1225	1777	8	79.9	247.9	

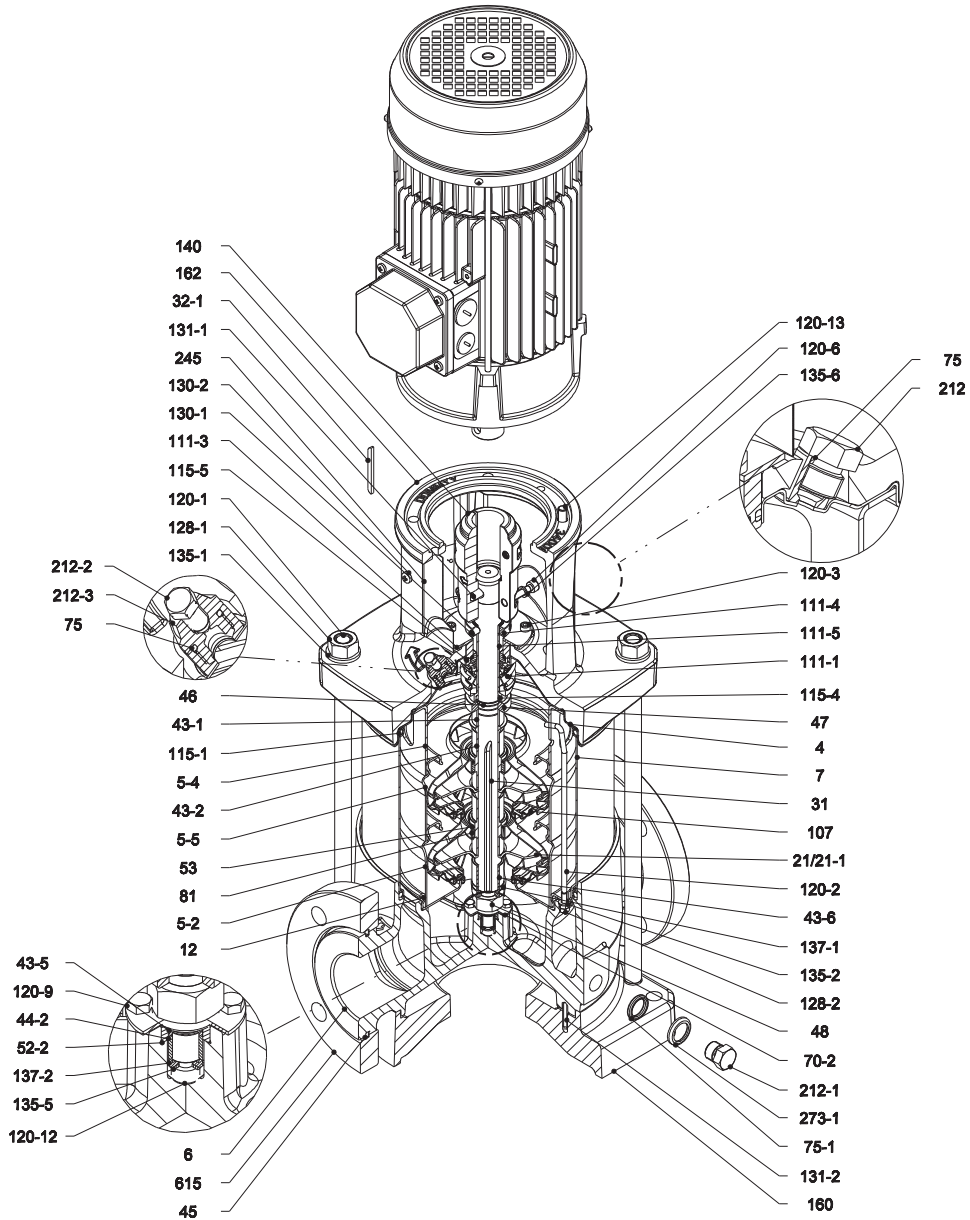
1.6 MPa=16 bar;

2.5 MPa=25 bar;

3.0 MPa=30 bar

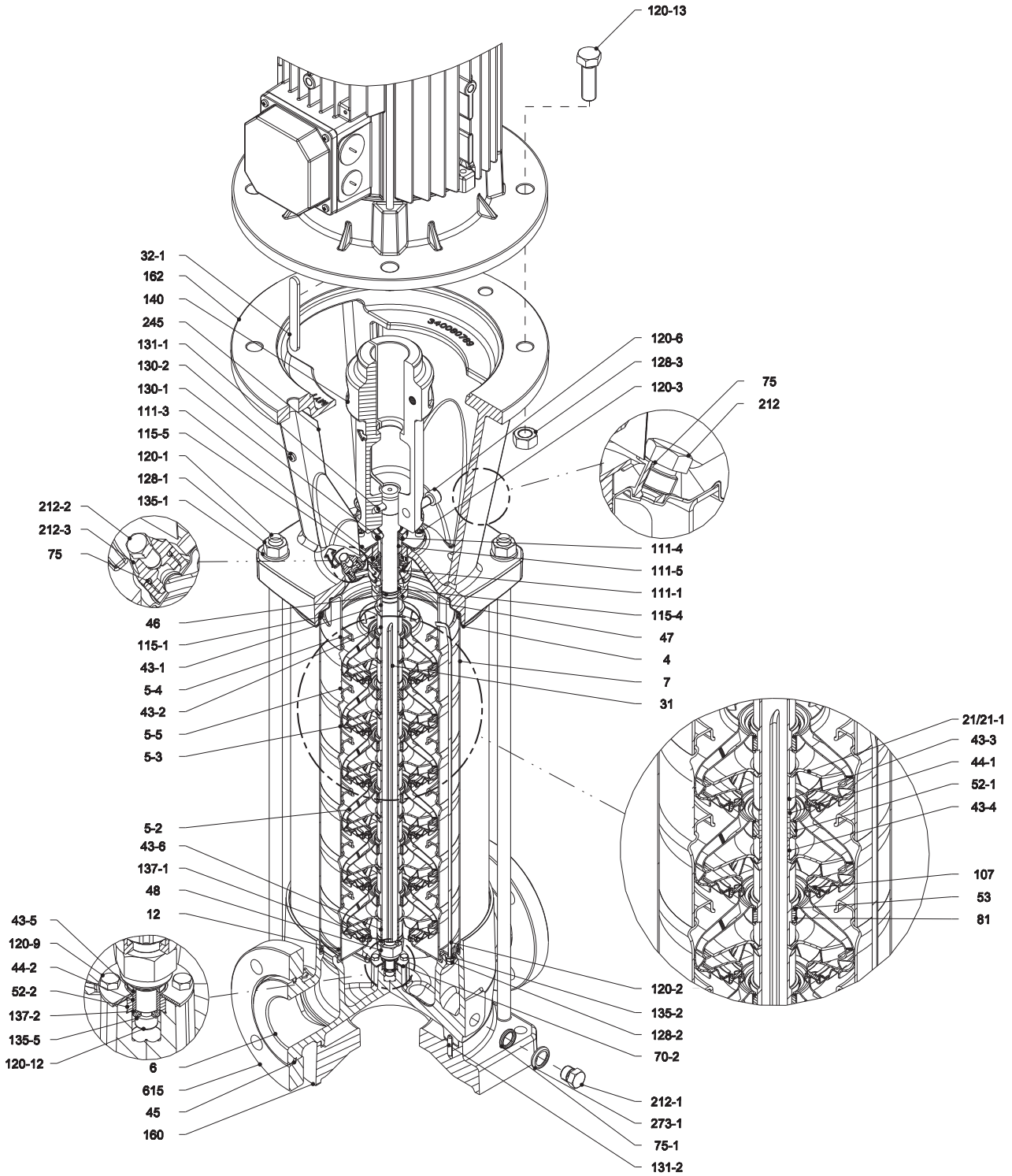
SECTIONAL VIEW
EVMS(L)32

EVMS(L)32



Pump without ball bearing
up to 4.0 kW

SECTIONAL VIEW EVMS(L)32



Pump without ball bearing
from 5.5 kW to 30 kW

SECTIONAL TABLE
EVMS(L)32

N°	PART NAME	MATERIAL		DIMENSIONS	STANDARD
		EVMS	EVMSL		
4	Casing cover	EN 1.4301 (AISI 304)	EN 1.4404 (AISI 316L)		
5-2	Intermediate casing	EN 1.4301 (AISI 304)	EN 1.4404 (AISI 316L)		
5-3	Intermediate casing with bearing	EN 1.4301 (AISI 304)	EN 1.4404 (AISI 316L)		
5-4	Discharge casing	EN 1.4301 (AISI 304)	EN 1.4404 (AISI 316L)		
5-5	Top intermediate casing	EN 1.4301 (AISI 304)	EN 1.4404 (AISI 316L)		
6	Bottom casing	EN 1.4308 (ASTM CF8)	EN 1.4408 (ASTM CF8M)		
7	Outer casing	EN 1.4301 (AISI 304)	EN 1.4404 (AISI 316L)		
12	Suction cover	EN 1.4301 (AISI 304)	EN 1.4404 (AISI 316L)		
21	Impeller	EN 1.4301 (AISI 304)	EN 1.4404 (AISI 316L)		
21-1	Reduced impeller	EN 1.4301 (AISI 304)	EN 1.4404 (AISI 316L)		
31	Shaft	EN 1.4301 (AISI 304)	EN 1.4404 (AISI 316L)		
32-1	Adjuster key	EN 1.4301 (AISI 304)			
43-1	Shaft sleeve (mechanical seal)	EN 1.4301 (AISI 304)	EN 1.4404 (AISI 316L)		
43-2	Shaft sleeve (intermediate)	EN 1.4301 (AISI 304)	EN 1.4404 (AISI 316L)		
43-3	Shaft sleeve (bearing)	EN 1.4301 (AISI 304)	EN 1.4404 (AISI 316L)		
43-4	Shaft sleeve (adjustment)	EN 1.4301 (AISI 304)	EN 1.4404 (AISI 316L)		
43-5	Shaft sleeve (last stage)	EN 1.4301 (AISI 304)	EN 1.4404 (AISI 316L)		
43-6	Shaft sleeve (adjustment)	EN 1.4301 (AISI 304)	EN 1.4404 (AISI 316L)		
44-1	Shaft sleeve bearing	Tungsten carbide			
44-2	Shaft sleeve (bearing)	Tungsten carbide			
45	Flange holder	EN 1.4301 (AISI 304)			
46	Ring (mechanical seal)	EN 1.4404 (AISI 316L)			
47	Ring holder	EN 1.4404 (AISI 316L)			
48	Impeller nut	EN 1.4301 (AISI 304) with inox insert	EN 1.4401 (AISI 316) with inox insert		
52-1	Sleeve bearing	Tungsten carbide			
52-2	Sleeve bearing (bottom casing)	Tungsten carbide			
53	Bush holder	EN 1.4301 (AISI 304)	EN 1.4404 (AISI 316L)		
70-2	Ring for bearing sleeve	EN 1.4301 (AISI 304)	EN 1.4404 (AISI 316L)		
75	O-Ring (priming plug)	EPDM / FPM		Ø12.37x2.62	OR 3050
75-1	O-Ring (drainage plug)	EPDM / FPM			
81	Bush	PTFE			
107	Liner ring	EN 1.4301 (AISI 304) + PPS	EN 1.4404 (AISI 316L) + PPS		
111-1	Mechanical seal	See pages 6-7			
111-3	Mechanical seal seat	EN 1.4301 (AISI 304)	EN 1.4401 (AISI 316)		
111-4	Seal holder	EN 1.4404 (AISI 316L)			
111-5	Mechanical seal cartridge sleeve	EN 1.4301 (AISI 304)	EN 1.4404 (AISI 316L)		
115-1	O-Ring (outer casing)	EPDM / FPM		Ø240.66x5.34	OR 6945
115-4	O-Ring (cartridge sleeve)	EPDM / FPM		Ø23.39x3.53	OR 4093
115-5	O-Ring (seal flange)	EPDM / FPM		Ø44.04x3.53	OR 4175
120-1	Tie rod	EN 1.4057 (AISI 431)			
120-2	Tie rod (stage)	EN 1.4301 (AISI 304)	EN 1.4401 (AISI 316)		
120-3	Screw (seal flange)	A2-70		M5x12	ISO 4762

SECTIONAL TABLE EVMS(L)32

N°	PART NAME	MATERIAL		DIMENSIONS	STANDARD
		EVMS	EVMSL		
120-6	Screw (pump coupling)	up to 4.0 kW	Galvanized steel 8.8 strength class ISO 898/1	M6x25	ISO 4762
		from 5.5 kW to 7.5 kW	Galvanized steel 8.8 strength class ISO 898/1	M8x25	ISO 4762
		above 11 kW	Galvanized steel 8.8 strength class ISO 898/1	M10x30	ISO 4762
120-9	Screw (bottom casing)		A2-70	M5x8	ISO 4017
120-12	Screw (shaft)		A2-70	M6x16	ISO 4762
120-13	Screw for motor	MEC 100-112	Galvanized steel 8.8 strength class ISO 898/1	M8x20	ISO 4017
		MEC 132	Galvanized steel 8.8 strength class ISO 898/1	M12x45	ISO 4017
		MEC 160-180	Galvanized steel 8.8 strength class ISO 898/1	M16x50	ISO 4017
		MEC 200	Galvanized steel 8.8 strength class ISO 898/1	M16x60	ISO 4014
128-1	Nut (tie rod)		A2-70	M16	ISO 4032
128-2	Nut (casing tie rod)		A2-70	M5	ISO 4032
128-3	Nut (motor)	MEC 132	Galvanized steel	M12	ISO 4032
		MEC 160-180-200	Galvanized steel	M16	ISO 4032
128-6	Nut (aluminium coupling)	MEC 100-112	Galvanized steel	M6	ISO 4032
130-1	Set screw		EN 1.4301 (AISI 304)	M6x8	ISO 4026
130-2	Screw for coupling guard		A2-70	M5x6	UNI 7687
131-1	Pin for shaft	up to 4.0 kW	Carbon Steel	Ø8x42	ISO 2338
		above 5.5 Kw	Carbon Steel	Ø8x50	ISO 2338
131-2	Elastic pin		EN 1.4301 (AISI 304)	Ø6x26	ISO 8752
135-1	Washer (tie rod)		EN 1.4301 (AISI 304)	Ø16	ISO 7089
135-2	Washer (casing tie rod)	EN 1.4301 (AISI 304)	EN 1.4404 (AISI 316)	Ø5.1	UNI 1751
135-5	Washer (impeller nut)	EN 1.4301 (AISI 304)	EN 1.4404 (AISI 316L)		
135-6	Washer (aluminium coupling)	up to 4.0 kW	Carbon Steel		
137-1	Impeller spacer		EN 1.4301 (AISI 304)	EN 1.4404 (AISI 316L)	
137-2	Shaft spacer		EN 1.4301 (AISI 304)	EN 1.4404 (AISI 316L)	
140	Coupling	up to 4.0 kW	Die cast Aluminium EN AB-AISI11 Cu2 (Fe)		
		from 5.5 kW to 30 kW	Cast Iron EN GJL250 EN 1561		
160	Base		Cast Iron EN GJL200 EN 1561		
162	Motor bracket	up to 30 kW	Cast Iron EN GJS 400-15 EN 1563		
212	Priming plug		EN 1.4301 (AISI 304)	EN 1.4404 (AISI 316L)	
212-1	Drainage plug		EN 1.4301 (AISI 304)	EN 1.4404 (AISI 316L)	
212-2	Venting plug		EN 1.4401 (AISI 316)		
212-3	Priming plug		EN 1.4301 (AISI 304)	EN 1.4404 (AISI 316L)	
245	Coupling guard		EN 1.4301 (AISI 304)		
273-1	Washer (drainage plug)		EN 1.4301 (AISI 304)	EN 1.4404 (AISI 316L)	
615	Loose flange		Cast Iron EN GJS 500-7 EN 1563		

QUANTITY FOR MODEL EVMS(L)32

Pump Type	N°																												
	4	5-2	5-3	5-4	5-5	6	7	12	21	21-1	31	32-1	43-1	43-2	43-3	43-4	43-5	43-6	44-1	44-2	45	46	47	48	52-1	52-2	53	70-2	
EVMS(L)32 1-1/3.0	1	/	/	1	1	1	1	1	/	1	1	1	1	/	/	1	1	/	1	4	1	1	1	/	1	1	1		
EVMS(L)32 1-0/3.0	1	/	/	1	1	1	1	1	/	1	1	1	1	/	/	1	1	/	1	4	1	1	1	/	1	1	1		
EVMS(L)32 2-2/5.5	1	1	/	1	1	1	1	1	/	2	1	1	1	2	/	/	1	1	/	1	4	1	1	1	/	1	2	1	
EVMS(L)32 2-1/5.5	1	1	/	1	1	1	1	1	1	1	1	1	1	2	/	/	1	1	/	1	4	1	1	1	/	1	2	1	
EVMS(L)32 2-0/7.5	1	1	/	1	1	1	1	1	2	/	1	1	1	2	/	/	1	1	/	1	4	1	1	1	/	1	2	1	
EVMS(L)32 3-2/11	1	1	1	1	1	1	1	1	1	2	1	1	1	2	1	1	1	1	1	1	4	1	1	1	1	1	1	3	1
EVMS(L)32 3-0/11	1	1	1	1	1	1	1	1	3	/	1	1	1	2	1	1	1	1	1	1	4	1	1	1	1	1	1	3	1
EVMS(L)32 4-2/11	1	2	1	1	1	1	1	1	2	2	1	1	1	3	1	1	1	1	1	1	4	1	1	1	1	1	1	4	1
EVMS(L)32 4-0/15	1	2	1	1	1	1	1	1	4	/	1	1	1	3	1	1	1	1	1	1	4	1	1	1	1	1	1	4	1
EVMS(L)32 5-2/15	1	3	1	1	1	1	1	1	3	2	1	1	1	4	1	1	1	1	1	1	4	1	1	1	1	1	1	5	1
EVMS(L)32 5-0/15	1	3	1	1	1	1	1	1	5	/	1	1	1	4	1	1	1	1	1	1	4	1	1	1	1	1	1	5	1
EVMS(L)32 6-2/18.5	1	4	1	1	1	1	1	1	4	2	1	1	1	5	1	1	1	1	1	1	4	1	1	1	1	1	1	6	1
EVMS(L)32 6-0/18.5	1	4	1	1	1	1	1	1	6	/	1	1	1	5	1	1	1	1	1	1	4	1	1	1	1	1	1	6	1
EVMS(L)32 7-2/22	1	5	1	1	1	1	1	1	5	2	1	1	1	6	1	1	1	1	1	1	4	1	1	1	1	1	1	7	1
EVMS(L)32 7-0/22	1	5	1	1	1	1	1	1	7	/	1	1	1	6	1	1	1	1	1	1	4	1	1	1	1	1	1	7	1
EVMS(L)32 8-2/22	1	6	1	1	1	1	1	1	6	2	1	1	1	7	1	1	1	1	1	1	4	1	1	1	1	1	1	8	1
EVMS(L)32 8-0/30	1	6	1	1	1	1	1	1	8	/	1	1	1	7	1	1	1	1	1	1	4	1	1	1	1	1	1	8	1
EVMS(L)32 9-2/30	1	7	1	1	1	1	1	1	7	2	1	1	1	8	2	2	1	1	2	1	4	1	1	1	2	1	1	8	1
EVMS(L)32 9-0/30	1	7	1	1	1	1	1	1	9	/	1	1	1	8	2	2	1	1	2	1	4	1	1	1	2	1	1	8	1
EVMS(L)32 10-0/30	1	8	1	1	1	1	1	1	10	/	1	1	1	9	2	2	1	1	2	1	4	1	1	1	2	1	1	9	1

Pump Type	N°																											
	75	75-1	81	107	111-1	111-3	111-4	111-5	115-1	115-4	115-5	120-1	120-2	120-3	120-6	120-9	120-12	120-13	128-1	128-2	128-3	130-1	130-2	131-1	131-2	135-1	135-2	135-5
EVMS(L)32 1-1/3.0	2	4	1	1	1	1	1	1	2	1	1	4	2	4	4	4	1	4	4	8	/	3	4	1	1	4	2	1
EVMS(L)32 1-0/3.0	2	4	1	1	1	1	1	1	2	1	1	4	2	4	4	4	1	4	4	8	/	3	4	1	1	4	2	1
EVMS(L)32 2-2/5.5	2	4	2	2	1	1	1	1	2	1	1	4	2	4	4	4	1	4	4	8	/	3	4	1	1	4	2	1
EVMS(L)32 2-1/5.5	2	4	2	2	1	1	1	1	2	1	1	4	2	4	4	4	1	4	4	8	/	3	4	1	1	4	2	1
EVMS(L)32 2-0/7.5	2	4	2	2	1	1	1	1	2	1	1	4	2	4	4	4	1	4	4	8	/	3	4	1	1	4	2	1
EVMS(L)32 3-2/11	2	4	2	3	1	1	1	1	2	1	1	4	2	4	4	4	1	4	4	4	4	3	4	1	1	4	2	1
EVMS(L)32 3-0/11	2	4	2	3	1	1	1	1	2	1	1	4	2	4	4	4	1	4	4	4	4	3	4	1	1	4	2	1
EVMS(L)32 4-2/11	2	4	3	4	1	1	1	1	2	1	1	4	2	4	4	4	1	4	4	4	4	3	4	1	1	4	2	1
EVMS(L)32 4-0/15	2	4	3	4	1	1	1	1	2	1	1	4	2	4	4	4	1	4	4	4	4	3	4	1	1	4	2	1
EVMS(L)32 5-2/15	2	4	4	5	1	1	1	1	2	1	1	4	2	4	4	4	1	4	4	4	4	3	4	1	1	4	2	1
EVMS(L)32 5-0/15	2	4	4	5	1	1	1	1	2	1	1	4	2	4	4	4	1	4	4	4	4	3	4	1	1	4	2	1
EVMS(L)32 6-2/18.5	2	4	5	6	1	1	1	1	2	1	1	4	2	4	4	4	1	4	4	4	4	3	4	1	1	4	2	1
EVMS(L)32 6-0/18.5	2	4	5	6	1	1	1	1	2	1	1	4	2	4	4	4	1	4	4	4	4	3	4	1	1	4	2	1
EVMS(L)32 7-2/22	2	4	6	7	1	1	1	1	2	1	1	4	2	4	4	4	1	4	4	4	4	3	4	1	1	4	2	1
EVMS(L)32 7-0/22	2	4	6	7	1	1	1	1	2	1	1	4	2	4	4	4	1	4	4	4	4	3	4	1	1	4	2	1
EVMS(L)32 8-2/22	2	4	7	8	1	1	1	1	2	1	1	4	2	4	4	4	1	4	4	4	4	3	4	1	1	4	2	1
EVMS(L)32 8-0/30	2	4	7	8	1	1	1	1	2	1	1	4	2	4	4	4	1	4	4	4	4	3	4	1	1	4	2	1
EVMS(L)32 9-2/30	2	4	7	9	1	1	1	1	2	1	1	4	2	4	4	4	1	4	4	4	4	3	4	1	1	4	2	1
EVMS(L)32 9-0/30	2	4	7	9	1	1	1	1	2	1	1	4	2	4	4	4	1	4	4	4	4	3	4	1	1	4	2	1
EVMS(L)32 10-0/30	2	4	8	10	1	1	1	1	2	1	1	4	2	4	4	4	1	4	4	4	4	3	4	1	1	4	2	1

EVMS(L)32

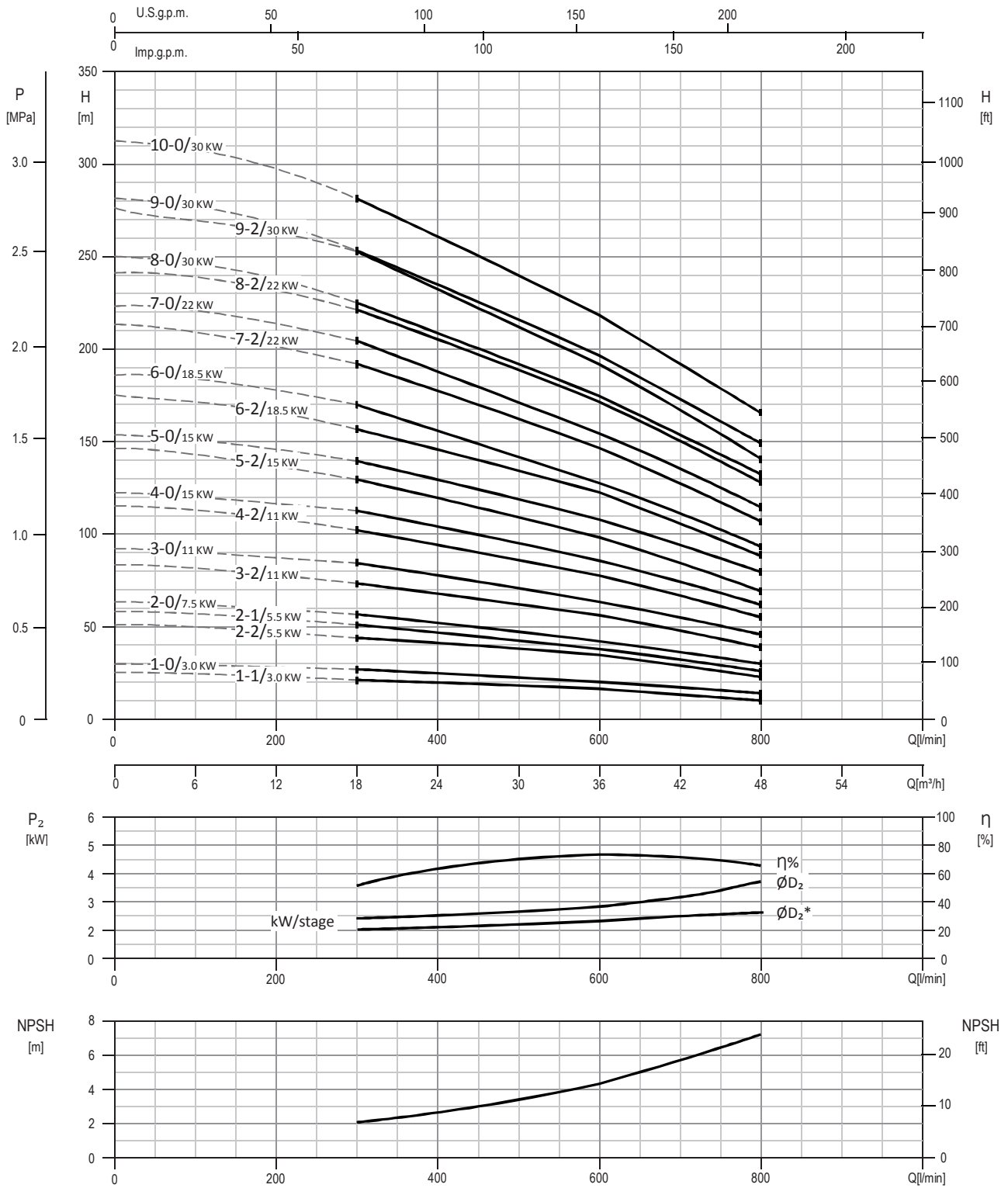
QUANTITY FOR MODEL EVMS(L)32

Pump Type	N°													
	135-6	137-1	137-2	140	160	162	212	212-1	212-2	212-3	245	273-1	615	
EVMS(L)32 1-1/3.0	4	1	1	2	1	1	1	4	1	1	2	4	2	
EVMS(L)32 1-0/3.0	4	1	1	2	1	1	1	4	1	1	2	4	2	
EVMS(L)32 2-2/5.5	/	1	1	2	1	1	1	4	1	1	2	4	2	
EVMS(L)32 2-1/5.5	/	1	1	2	1	1	1	4	1	1	2	4	2	
EVMS(L)32 2-0/7.5	/	1	1	2	1	1	1	4	1	1	2	4	2	
EVMS(L)32 3-2/11	/	1	1	2	1	1	1	4	1	1	2	4	2	
EVMS(L)32 3-0/11	/	1	1	2	1	1	1	4	1	1	2	4	2	
EVMS(L)32 4-2/11	/	1	1	2	1	1	1	4	1	1	2	4	2	
EVMS(L)32 4-0/15	/	1	1	2	1	1	1	4	1	1	2	4	2	
EVMS(L)32 5-2/15	/	1	1	2	1	1	1	4	1	1	2	4	2	
EVMS(L)32 5-0/15	/	1	1	2	1	1	1	4	1	1	2	4	2	
EVMS(L)32 6-2/18.5	/	1	1	2	1	1	1	4	1	1	2	4	2	
EVMS(L)32 6-0/18.5	/	1	1	2	1	1	1	4	1	1	2	4	2	
EVMS(L)32 7-2/22	/	1	1	2	1	1	1	4	1	1	2	4	2	
EVMS(L)32 7-0/22	/	1	1	2	1	1	1	4	1	1	2	4	2	
EVMS(L)32 8-2/22	/	1	1	2	1	1	1	4	1	1	2	4	2	
EVMS(L)32 8-0/30	/	1	1	2	1	1	1	4	1	1	2	4	2	
EVMS(L)32 9-2/30	/	1	1	2	1	1	1	4	1	1	2	4	2	
EVMS(L)32 9-0/30	/	1	1	2	1	1	1	4	1	1	2	4	2	
EVMS(L)32 10-0/30	/	1	1	2	1	1	1	4	1	1	2	4	2	

BEARINGS EVMS(L)32

Pump Type	N° 56
EVMS(L)32 1-1/3.0	/
EVMS(L)32 1-0/3.0	/
EVMS(L)32 2-2/5.5	/
EVMS(L)32 2-1/5.5	/
EVMS(L)32 2-0/7.5	/
EVMS(L)32 3-2/11	/
EVMS(L)32 3-0/11	/
EVMS(L)32 4-2/11	/
EVMS(L)32 4-0/15	/
EVMS(L)32 5-2/15	/
EVMS(L)32 5-0/15	/
EVMS(L)32 6-2/18.5	/
EVMS(L)32 6-0/18.5	/
EVMS(L)32 7-2/22	/
EVMS(L)32 7-0/22	/
EVMS(L)32 8-2/22	/
EVMS(L)32 8-0/30	/
EVMS(L)32 9-2/30	/
EVMS(L)32 9-0/30	/
EVMS(L)32 10-0/30	/

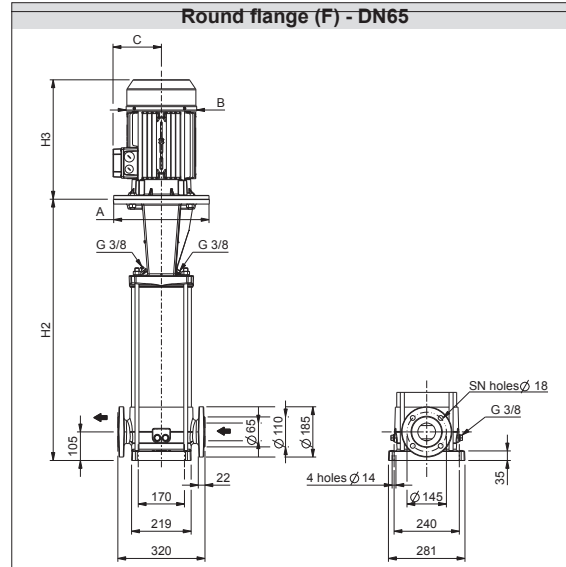
PERFORMANCE CURVE
EVMSG32



Test standard: ISO 9906:2012 - Grade 3B

TECHNICAL DATA EVMSG32

Dimensional sketch



Dimensions [mm] and Weights [Kg]

Pump Type	Pmax [MPa]	Motor					Round flange (F)				
		kW	Size	A Ø	B	C	H2	H2+H3	SN	Weight Pump	Weight Pump + Motor
EVMSG32 1-1/3.0	1.6	3.0	100	160	176	123	461	803	4	45.3	67.3
EVMSG32 1-0/3.0	1.6	3.0	100	160	176	123	461	803	4	45.3	67.3
EVMSG32 2-2/5.5	1.6	5.5	132	300	220	152	635	1035	4	59.3	98.3
EVMSG32 2-1/5.5	1.6	5.5	132	300	220	152	635	1035	4	59.3	98.3
EVMSG32 2-0/7.5	1.6	7.5	132	300	220	152	635	1055	4	59.3	105.3
EVMSG32 3-2/11	1.6	11	160	350	259	180	735	1174	4	69.1	131.6
EVMSG32 3-0/11	1.6	11	160	350	259	180	735	1174	4	69.1	131.6
EVMSG32 4-2/11	1.6	11	160	350	259	180	805	1244	4	72.4	134.9
EVMSG32 4-0/15	1.6	15	160	350	311	240	805	1300	4	61.4	162.4
EVMSG32 5-2/15	1.6	15	160	350	311	240	875	1370	4	64.7	165.7
EVMSG32 5-0/15	1.6	15	160	350	311	240	875	1370	4	64.7	165.7
EVMSG32 6-2/18.5	2.5	18.5	160	350	311	240	945	1440	4	72.0	181.0
EVMSG32 6-0/18.5	2.5	18.5	160	350	311	240	945	1440	4	72.0	181.0
EVMSG32 7-2/22	2.5	22	180	350	354	260	1015	1567	4	72.3	207.3
EVMSG32 7-0/22	2.5	22	180	350	354	260	1015	1567	8	72.3	207.3
EVMSG32 8-2/22	2.5	22	180	350	354	260	1085	1637	8	77.2	212.2
EVMSG32 8-0/30	3.0	30	200	400	354	280	1085	1637	8	69.6	237.6
EVMSG32 9-2/30	3.0	30	200	400	354	280	1155	1707	8	73.1	241.1
EVMSG32 9-0/30	3.0	30	200	400	354	280	1155	1707	8	73.1	241.1
EVMSG32 10-0/30	3.0	30	200	400	354	280	1225	1777	8	76.5	244.5

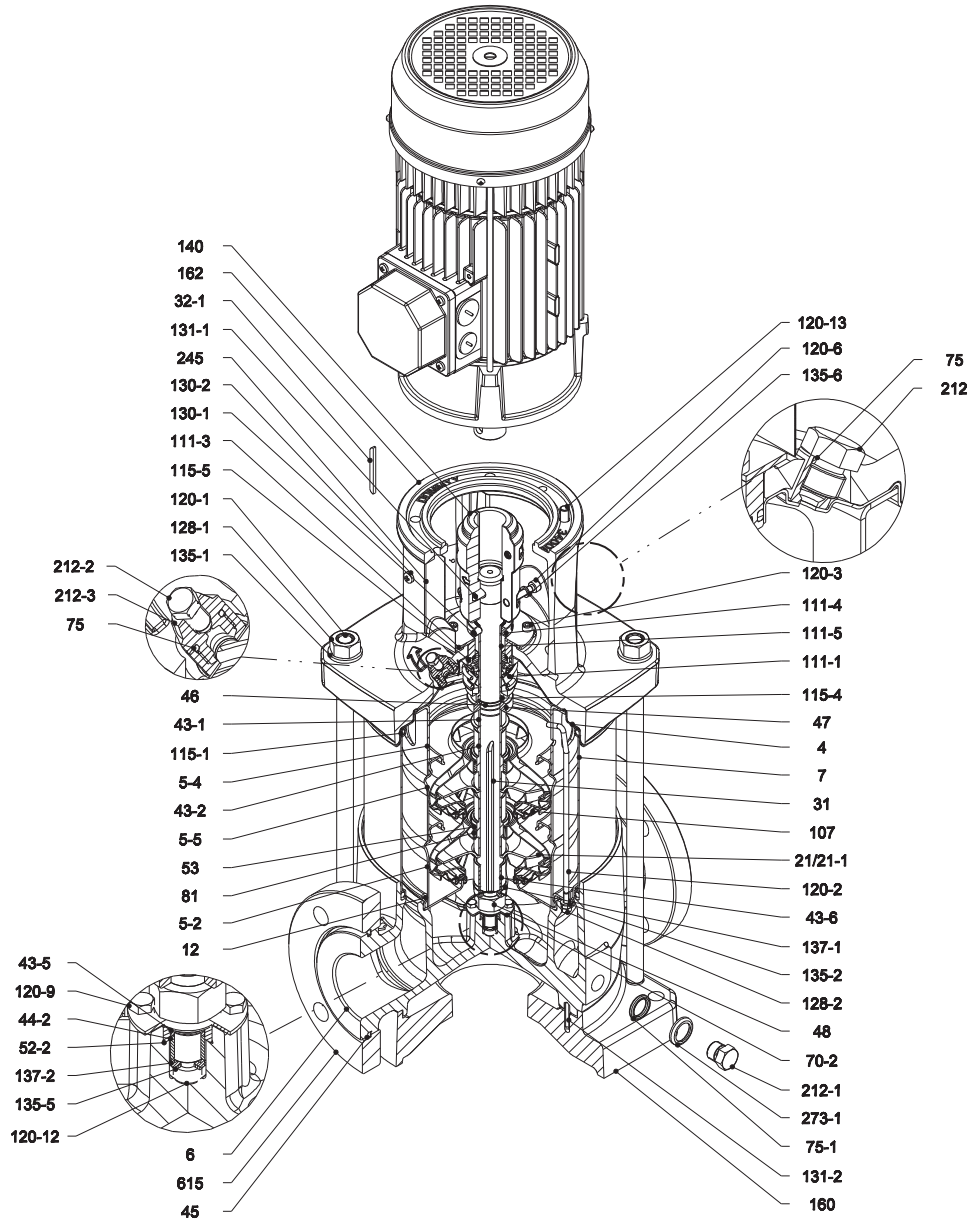
1.6 MPa=16 bar;

2.5 MPa=25 bar;

3.0 MPa=30 bar

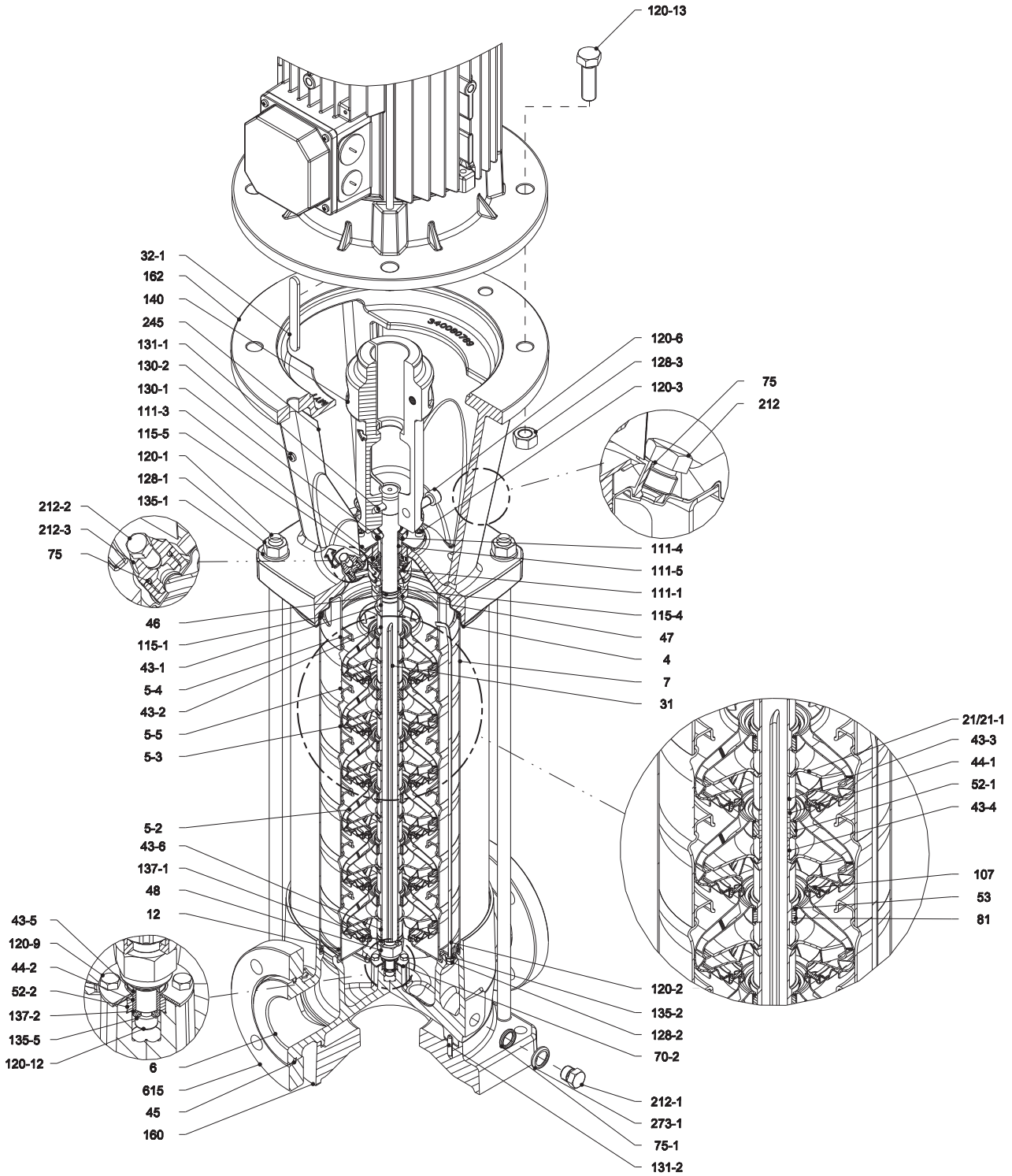
SECTIONAL VIEW
EVMSG32

EVMSG32



Pump without ball bearing
up to 4.0 kW

SECTIONAL VIEW EVMSG32



Pump without ball bearing
from 5.5 kW to 30 kW

SECTIONAL TABLE
EVMSG32

N°	PART NAME	MATERIAL EVMSG	DIMENSIONS	STANDARD
4	Casing cover	EN 1.4301 (AISI 304)		
5-2	Intermediate casing	EN 1.4301 (AISI 304)		
5-3	Intermediate casing with bearing	EN 1.4301 (AISI 304)		
5-4	Discharge casing	EN 1.4301 (AISI 304)		
5-5	Top intermediate casing	EN 1.4301 (AISI 304)		
6	Bottom casing	Cast Iron EN GJL-250 EN 1561		
7	Outer casing	EN 1.4301 (AISI 304)		
12	Suction cover	EN 1.4301 (AISI 304)		
21	Impeller	EN 1.4301 (AISI 304)		
21-1	Reduced impeller	EN 1.4301 (AISI 304)		
31	Shaft	EN 1.4301 (AISI 304)		
32-1	Adjuster key	EN 1.4301 (AISI 304)		
43-1	Shaft sleeve (mechanical seal)	EN 1.4301 (AISI 304)		
43-2	Shaft sleeve (intermediate)	EN 1.4301 (AISI 304)		
43-3	Shaft sleeve (bearing)	EN 1.4301 (AISI 304)		
43-4	Shaft sleeve (adjustment)	EN 1.4301 (AISI 304)		
43-5	Shaft sleeve (last stage)	EN 1.4301 (AISI 304)		
43-6	Shaft sleeve (adjustment)	EN 1.4301 (AISI 304)		
44-1	Shaft sleeve bearing	Tungsten carbide		
44-2	Shaft sleeve (bearing)	Tungsten carbide		
46	Ring (mechanical seal)	EN 1.4404 (AISI 316L)		
47	Ring holder	EN 1.4301 (AISI 304)		
48	Impeller nut	EN 1.4301 (AISI 304) with inox insert		
52-1	Sleeve bearing	Tungsten carbide		
52-2	Bearing sleeve (bottom casing)	Tungsten carbide		
53	Bush holder	EN 1.4301 (AISI 304)		
70-2	Ring for bearing sleeve	EN 1.4301 (AISI 304)		
75	O-Ring (priming plug)	EPDM / FPM	Ø12.37x2.62	OR 3050
75-1	O-Ring (drainage plug)	EPDM / FPM		
81	Bush	PTFE		
107	Liner ring	EN 1.4301 (AISI 304) + PPS		
111-1	Mechanical seal	See pages 6-7		
111-3	Mechanical seal seat	EN 1.4301 (AISI 304)		
111-4	Seal holder	EN 1.4404 (AISI 316L)		
111-5	Mechanical seal cartridge sleeve	EN 1.4301 (AISI 304)		
115-1	O-Ring (outer casing)	EPDM / FPM	Ø240.66x5.34	OR 6945
115-4	O-Ring (cartridge sleeve)	EPDM / FPM	Ø23.39x3.53	OR 4093
115-5	O-Ring (seal flange)	EPDM / FPM	Ø44.04x3.53	OR 4175
120-1	Tie rod	EN 1.4057 (AISI 431)		
120-2	Tie rod (stage)	EN 1.4301 (AISI 304)		
120-3	Screw (seal flange)	A2-70	M5x12	ISO 4762

SECTIONAL TABLE EVMSG32

N°	PART NAME	MATERIAL EVMSG	DIMENSIONS	STANDARD	
120-6	Screw (pump coupling)	up to 4.0 kW	Galvanized steel 8.8 strength class ISO 898/1	M6x25	ISO 4762
		from 5.5 kW to 7.5 kW	Galvanized steel 8.8 strength class ISO 898/1	M8x25	ISO 4762
		above 11 kW	Galvanized steel 8.8 strength class ISO 898/1	M10x30	ISO 4762
120-9	Screw (bottom casing)	A2-70	M5x8	ISO 4017	
120-12	Screw (shaft)	A2-70	M6x16	ISO 4762	
120-13	Screw for motor	MEC 100-112	Galvanized steel 8.8 strength class ISO 898/1	M8x20	ISO 4017
		MEC 132	Galvanized steel 8.8 strength class ISO 898/1	M12x45	ISO 4017
		MEC 160-180	Galvanized steel 8.8 strength class ISO 898/1	M16x50	ISO 4017
		MEC 200-225	Galvanized steel 8.8 strength class ISO 898/1	M16x60	ISO 4014
128-1	Nut (tie rod)	A2-70	M16	ISO 4032	
128-2	Nut (casing tie rod)	A2-70	M5	ISO 4032	
128-3	Nut (motor)	MEC 132	Galvanized steel	M12	ISO 4032
		MEC 160-180-200-225	Galvanized steel	M16	ISO 4032
128-6	Nut (aluminium coupling)	MEC 100-112	Galvanized steel	M6	ISO 4032
130-1	Set screw	EN 1.4301 (AISI 304)	M6x8	ISO 4026	
130-2	Screw for coupling guard	A2-70	M5x6	UNI 7687	
131-1	Pin for shaft	up to 4.0 kW	Carbon Steel	Ø8x42	ISO 2338
		above 5.5 Kw	Carbon Steel	Ø8x50	ISO 2338
135-1	Washer (tie rod)	EN 1.4301 (AISI 304)	Ø16	ISO 7089	
135-2	Washer (casing tie rod)	EN 1.4301 (AISI 304)	Ø5.1	UNI 1751	
135-5	Washer (impeller nut)	EN 1.4301 (AISI 304)			
135-6	Washer (aluminium coupling)	up to 4.0 kW	Carbon Steel		
137-1	Impeller spacer	EN 1.4301 (AISI 304)			
137-2	Shaft spacer	EN 1.4301 (AISI 304)			
140	Coupling	up to 4.0 kW	Die cast Aluminium EN AB-AISI11 Cu2 (Fe)		
		from 5.5 kW to 30 kW	Cast Iron EN GJL250 EN 1561		
162	Motor bracket	up to 30 kW	Cast Iron EN GJS 400-15 EN 1563		
212	Priming plug	EN 1.4301 (AISI 304)			
212-1	Drainage plug	EN 1.4301 (AISI 304)			
212-2	Venting plug	EN 1.4401 (AISI 316)			
212-3	Priming plug	EN 1.4301 (AISI 304)			
245	Coupling guard	EN 1.4301 (AISI 304)			
273-1	Washer (drainage plug)	EN 1.4301 (AISI 304)			

QUANTITY FOR MODEL
EVMSG32

EVMSG32

Pump Type	N°																											
	4	5-2	5-3	5-4	5-5	6	7	12	21	21-1	31	32-1	43-1	43-2	43-3	43-4	43-5	43-6	44-1	44-2	46	47	48	52-1	52-2	53	70-2	75
EVMSG32 1-1/3.0	1	/	/	1	1	1	1	1	/	1	1	1	1	/	/	1	1	/	1	1	1	1	/	1	1	1	1	2
EVMSG32 1-0/3.0	1	/	/	1	1	1	1	1	/	1	1	1	1	/	/	1	1	/	1	1	1	1	/	1	1	1	1	2
EVMSG32 2-2/5.5	1	1	/	1	1	1	1	1	/	2	1	1	1	2	/	/	1	1	/	1	1	1	1	/	1	2	1	2
EVMSG32 2-1/5.5	1	1	/	1	1	1	1	1	1	1	1	1	1	2	/	/	1	1	/	1	1	1	1	/	1	2	1	2
EVMSG32 2-0/7.5	1	1	/	1	1	1	1	1	2	/	1	1	1	2	/	/	1	1	/	1	1	1	1	/	1	2	1	2
EVMSG32 3-2/11	1	1	1	1	1	1	1	1	1	2	1	1	1	2	1	1	1	1	1	1	1	1	1	1	1	3	1	2
EVMSG32 3-0/11	1	1	1	1	1	1	1	1	3	/	1	1	1	2	1	1	1	1	1	1	1	1	1	1	1	3	1	2
EVMSG32 4-2/11	1	2	1	1	1	1	1	1	2	2	1	1	1	3	1	1	1	1	1	1	1	1	1	1	1	4	1	2
EVMSG32 4-0/15	1	2	1	1	1	1	1	1	4	/	1	1	1	3	1	1	1	1	1	1	1	1	1	1	1	4	1	2
EVMSG32 5-2/15	1	3	1	1	1	1	1	1	3	2	1	1	1	4	1	1	1	1	1	1	1	1	1	1	1	5	1	2
EVMSG32 5-0/15	1	3	1	1	1	1	1	1	5	/	1	1	1	4	1	1	1	1	1	1	1	1	1	1	1	5	1	2
EVMSG32 6-2/18.5	1	4	1	1	1	1	1	1	4	2	1	1	1	5	1	1	1	1	1	1	1	1	1	1	1	6	1	2
EVMSG32 6-0/18.5	1	4	1	1	1	1	1	1	6	/	1	1	1	5	1	1	1	1	1	1	1	1	1	1	1	6	1	2
EVMSG32 7-2/22	1	5	1	1	1	1	1	1	5	2	1	1	1	6	1	1	1	1	1	1	1	1	1	1	1	7	1	2
EVMSG32 7-0/22	1	5	1	1	1	1	1	1	7	/	1	1	1	6	1	1	1	1	1	1	1	1	1	1	1	7	1	2
EVMSG32 8-2/22	1	6	1	1	1	1	1	1	6	2	1	1	1	7	1	1	1	1	1	1	1	1	1	1	1	8	1	2
EVMSG32 8-0/30	1	6	1	1	1	1	1	1	8	/	1	1	1	7	1	1	1	1	1	1	1	1	1	1	1	8	1	2
EVMSG32 9-2/30	1	7	1	1	1	1	1	1	7	2	1	1	1	8	2	2	1	1	2	1	1	1	1	2	1	8	1	2
EVMSG32 9-0/30	1	7	1	1	1	1	1	1	9	/	1	1	1	8	2	2	1	1	2	1	1	1	1	2	1	8	1	2
EVMSG32 10-0/30	1	8	1	1	1	1	1	1	10	/	1	1	1	9	2	2	1	1	2	1	1	1	1	2	1	9	1	2

Pump Type	N°																													
	75-1	81	107	111-1	111-3	111-4	111-5	115-1	115-4	115-5	120-1	120-2	120-3	120-6	120-9	120-12	120-13	128-1	128-2	128-3	130-1	130-2	131-1	135-1	135-2	135-5	135-6	137-1		
EVMSG32 1-1/3.0	4	1	1	1	1	1	1	2	1	1	4	2	4	4	4	1	4	4	8	/	3	4	1	4	2	1	4	1		
EVMSG32 1-0/3.0	4	1	1	1	1	1	1	2	1	1	4	2	4	4	4	1	4	4	8	/	3	4	1	4	2	1	4	1		
EVMSG32 2-2/5.5	4	2	2	1	1	1	1	2	1	1	4	2	4	4	4	1	4	4	8	/	3	4	1	4	2	1	/	1		
EVMSG32 2-1/5.5	4	2	2	1	1	1	1	2	1	1	4	2	4	4	4	1	4	4	8	/	3	4	1	4	2	1	/	1		
EVMSG32 2-0/7.5	4	2	2	1	1	1	1	2	1	1	4	2	4	4	4	1	4	4	8	/	3	4	1	4	2	1	/	1		
EVMSG32 3-2/11	4	2	3	1	1	1	1	2	1	1	4	2	4	4	4	1	4	4	4	4	3	4	1	4	2	1	/	1		
EVMSG32 3-0/11	4	2	3	1	1	1	1	2	1	1	4	2	4	4	4	1	4	4	4	4	3	4	1	4	2	1	/	1		
EVMSG32 4-2/11	4	3	4	1	1	1	1	2	1	1	4	2	4	4	4	1	4	4	4	4	3	4	1	4	2	1	/	1		
EVMSG32 4-0/15	4	3	4	1	1	1	1	2	1	1	4	2	4	4	4	1	4	4	4	4	3	4	1	4	2	1	/	1		
EVMSG32 5-2/15	4	4	5	1	1	1	1	2	1	1	4	2	4	4	4	1	4	4	4	4	3	4	1	4	2	1	/	1		
EVMSG32 5-0/15	4	4	5	1	1	1	1	2	1	1	4	2	4	4	4	1	4	4	4	4	3	4	1	4	2	1	/	1		
EVMSG32 6-2/18.5	4	5	6	1	1	1	1	2	1	1	4	2	4	4	4	1	4	4	4	4	3	4	1	4	2	1	/	1		
EVMSG32 6-0/18.5	4	5	6	1	1	1	1	2	1	1	4	2	4	4	4	1	4	4	4	4	3	4	1	4	2	1	/	1		
EVMSG32 7-2/22	4	6	7	1	1	1	1	2	1	1	4	2	4	4	4	1	4	4	4	4	3	4	1	4	2	1	/	1		
EVMSG32 7-0/22	4	6	7	1	1	1	1	2	1	1	4	2	4	4	4	1	4	4	4	4	3	4	1	4	2	1	/	1		
EVMSG32 8-2/22	4	7	8	1	1	1	1	2	1	1	4	2	4	4	4	1	4	4	4	4	3	4	1	4	2	1	/	1		
EVMSG32 8-0/30	4	7	8	1	1	1	1	2	1	1	4	2	4	4	4	1	4	4	4	4	3	4	1	4	2	1	/	1		
EVMSG32 9-2/30	4	7	9	1	1	1	1	2	1	1	4	2	4	4	4	1	4	4	4	4	3	4	1	4	2	1	/	1		
EVMSG32 9-0/30	4	7	9	1	1	1	1	2	1	1	4	2	4	4	4	1	4	4	4	4	3	4	1	4	2	1	/	1		
EVMSG32 10-0/30	4	8	10	1	1	1	1	2	1	1	4	2	4	4	4	1	4	4	4	4	3	4	1	4	2	1	/	1		

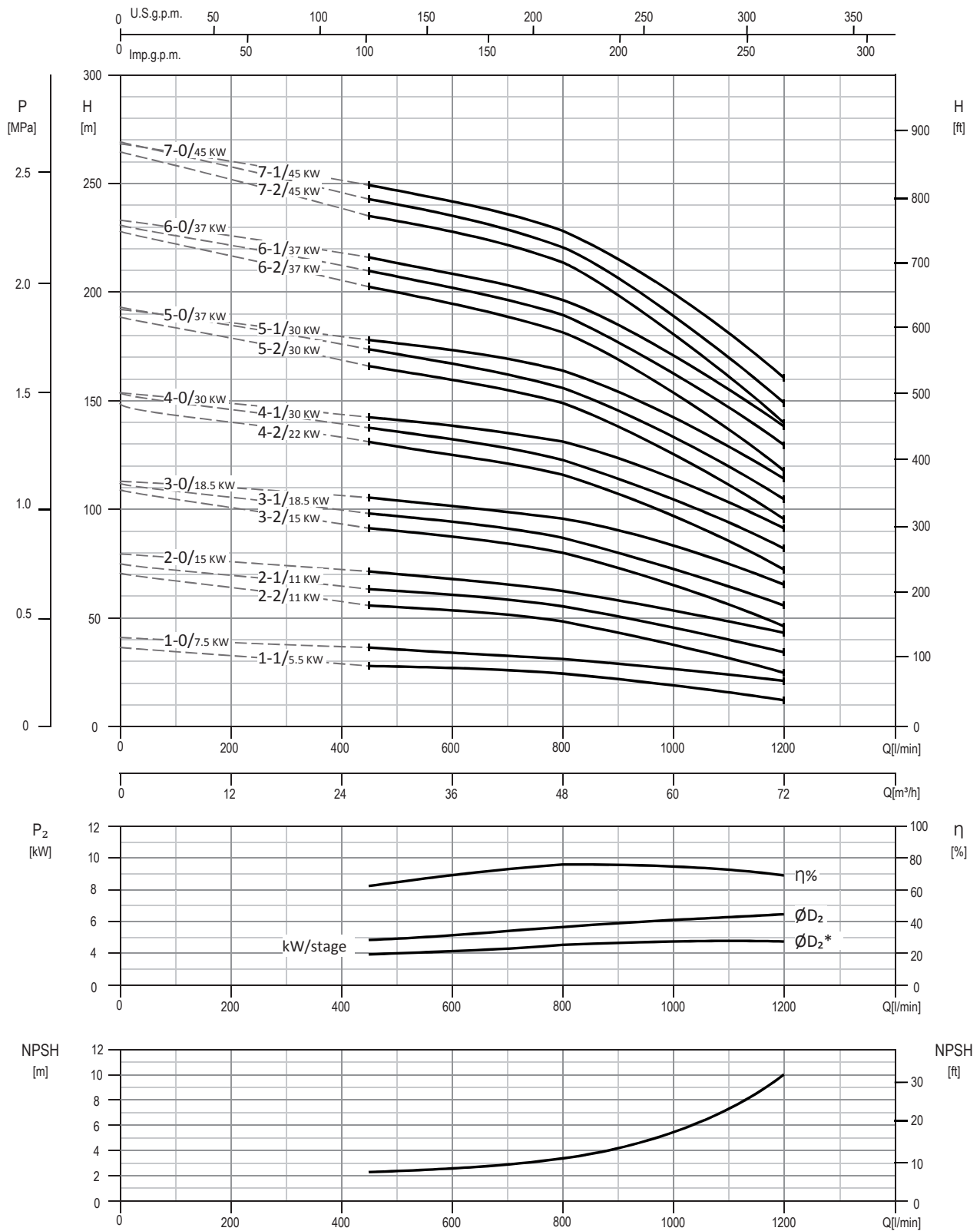
QUANTITY FOR MODEL EVMSG32

Pump Type	N°									
	137-2	140	162	212	212-1	212-2	212-3	245	273-1	
EVMSG32 1-1/3.0	1	2	1	1	4	1	1	2	4	
EVMSG32 1-0/3.0	1	2	1	1	4	1	1	2	4	
EVMSG32 2-2/5.5	1	2	1	1	4	1	1	2	4	
EVMSG32 2-1/5.5	1	2	1	1	4	1	1	2	4	
EVMSG32 2-0/7.5	1	2	1	1	4	1	1	2	4	
EVMSG32 3-2/11	1	2	1	1	4	1	1	2	4	
EVMSG32 3-0/11	1	2	1	1	4	1	1	2	4	
EVMSG32 4-2/11	1	2	1	1	4	1	1	2	4	
EVMSG32 4-0/15	1	2	1	1	4	1	1	2	4	
EVMSG32 5-2/15	1	2	1	1	4	1	1	2	4	
EVMSG32 5-0/15	1	2	1	1	4	1	1	2	4	
EVMSG32 6-2/18.5	1	2	1	1	4	1	1	2	4	
EVMSG32 6-0/18.5	1	2	1	1	4	1	1	2	4	
EVMSG32 7-2/22	1	2	1	1	4	1	1	2	4	
EVMSG32 7-0/22	1	2	1	1	4	1	1	2	4	
EVMSG32 8-2/22	1	2	1	1	4	1	1	2	4	
EVMSG32 8-0/30	1	2	1	1	4	1	1	2	4	
EVMSG32 9-2/30	1	2	1	1	4	1	1	2	4	
EVMSG32 9-0/30	1	2	1	1	4	1	1	2	4	
EVMSG32 10-0/30	1	2	1	1	4	1	1	2	4	

BEARINGS EVMSG32

Pump Type	N° 56
EVMSG32 1-1/3.0	/
EVMSG32 1-0/3.0	/
EVMSG32 2-2/5.5	/
EVMSG32 2-1/5.5	/
EVMSG32 2-0/7.5	/
EVMSG32 3-2/11	/
EVMSG32 3-0/11	/
EVMSG32 4-2/11	/
EVMSG32 4-0/15	/
EVMSG32 5-2/15	/
EVMSG32 5-0/15	/
EVMSG32 6-2/18.5	/
EVMSG32 6-0/18.5	/
EVMSG32 7-2/22	/
EVMSG32 7-0/22	/
EVMSG32 8-2/22	/
EVMSG32 8-0/30	/
EVMSG32 9-2/30	/
EVMSG32 9-0/30	/
EVMSG32 10-0/30	/

PERFORMANCE CURVE
EVMS(L)45



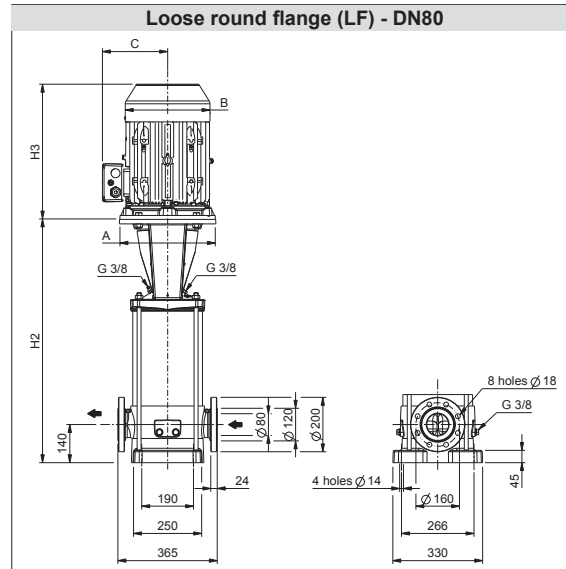
Test standard: ISO 9906:2012 - Grade 3B

TECHNICAL DATA EVMS(L)45

2.15

EVMS(L)45

Dimensional sketch



Dimensions [mm] and Weights [Kg]

Pump Type	P _{max} [MPa]	Motor					Loose round flange (LF)			
		kW	Size	A Ø	B	C	H2	H2+H3	Weight Pump	Weight Pump + Motor
EVMS(L)45 1-1/5.5	1.6	5.5	132	300	220	152	650	1049	75.7	114.7
EVMS(L)45 1-0/7.5	1.6	7.5	132	300	220	152	650	1069	75.7	121.7
EVMS(L)45 2-2/11	1.6	11	160	350	259	180	752	1191	87.8	150.3
EVMS(L)45 2-1/11	1.6	11	160	350	259	180	752	1191	87.8	150.3
EVMS(L)45 2-0/15	1.6	15	160	350	311	240	752	1247	76.8	177.8
EVMS(L)45 3-2/15	1.6	15	160	350	311	240	824	1319	81.8	182.8
EVMS(L)45 3-1/18.5	1.6	18.5	160	350	311	240	824	1319	86.0	195.0
EVMS(L)45 3-0/18.5	1.6	18.5	160	350	311	240	824	1319	86.0	195.0
EVMS(L)45 4-2/22	1.6	22	180	350	354	260	896	1448	88.1	223.1
EVMS(L)45 4-1/30	1.6	30	200	400	354	280	896	1448	80.4	248.4
EVMS(L)45 4-0/30	1.6	30	200	400	354	280	896	1448	80.4	248.4
EVMS(L)45 5-2/30	2.5	30	200	400	354	280	968	1520	85.7	253.7
EVMS(L)45 5-1/30	2.5	30	200	400	354	280	968	1520	85.7	253.7
EVMS(L)45 5-0/37	2.5	37	200	400	382	295	985	1662	115.7	375.7
EVMS(L)45 6-2/37	2.5	37	200	400	382	295	1057	1734	122.5	382.5
EVMS(L)45 6-1/37	2.5	37	200	400	382	295	1057	1734	122.5	382.5
EVMS(L)45 6-0/37	2.5	37	200	400	382	295	1057	1734	122.5	382.5
EVMS(L)45 7-2/45	3.5	45	225	450	449	335	1129	1895	139.3	513.3
EVMS(L)45 7-1/45	3.5	45	225	450	449	335	1129	1895	139.3	513.3
EVMS(L)45 7-0/45	3.5	45	225	450	449	335	1129	1895	139.3	513.3

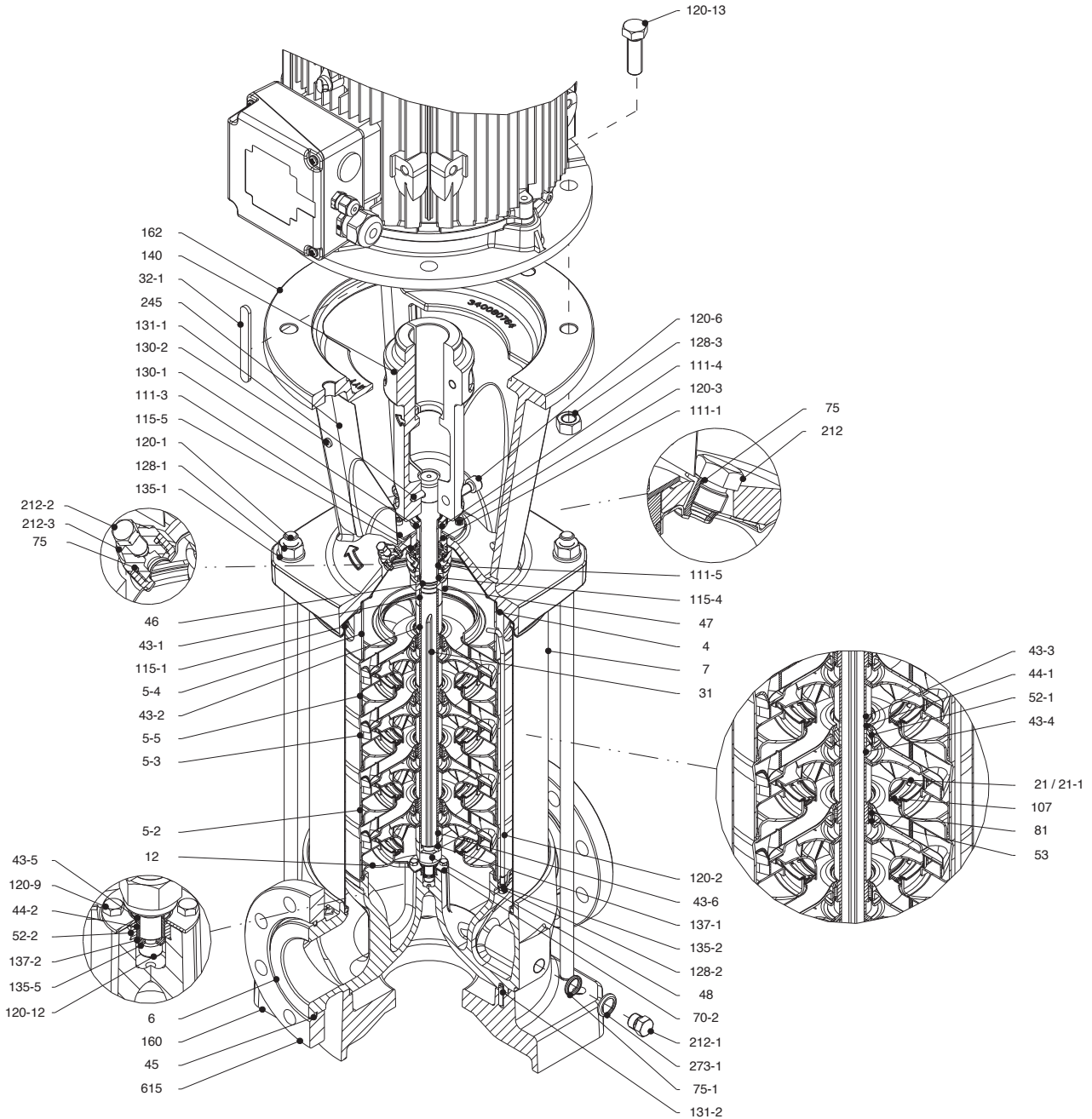
1.6 MPa=16 bar;

2.5 MPa=25 bar;

3.5 MPa=35 bar

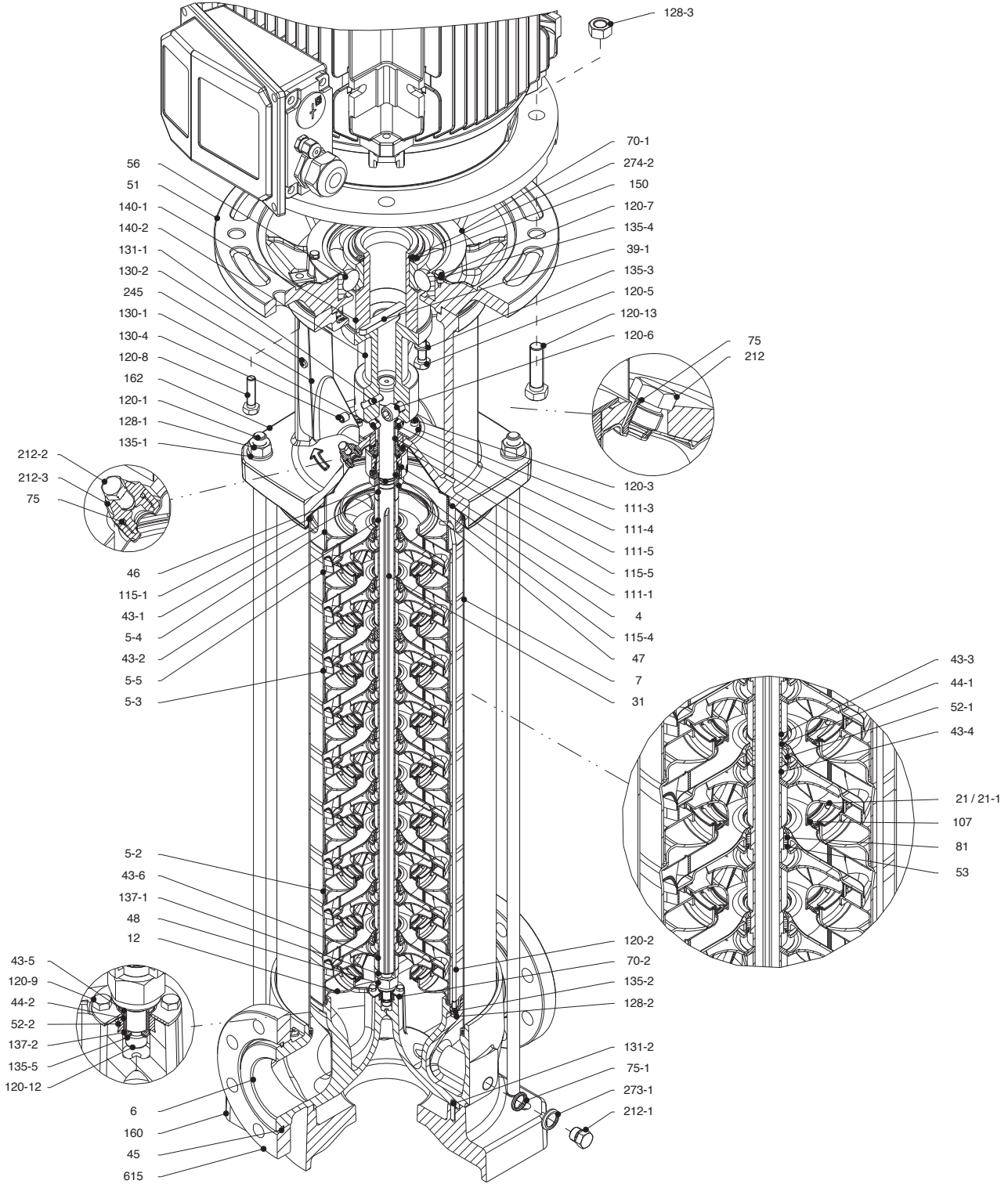
SECTIONAL VIEW
EVMS(L)45

EVMS(L)45



Pump without ball bearing
up to 30 kW

SECTIONAL VIEW EVMS(L)45



Pump with single ball bearing
above 37 kW

SECTIONAL TABLE
EVMS(L)45

N°	PART NAME	MATERIAL		DIMENSIONS	STANDARD
		EVMS	EVMSL		
4	Casing cover	EN 1.4301 (AISI 304)	EN 1.4404 (AISI 316L)		
5-2	Intermediate casing	EN 1.4301 (AISI 304)	EN 1.4404 (AISI 316L)		
5-3	Intermediate casing with bearing	EN 1.4301 (AISI 304)	EN 1.4404 (AISI 316L)		
5-4	Discharge casing	EN 1.4301 (AISI 304)	EN 1.4404 (AISI 316L)		
5-5	Top intermediate casing	EN 1.4301 (AISI 304)	EN 1.4404 (AISI 316L)		
6	Bottom casing	EN 1.4308 (ASTM CF8)	EN 1.4408 (ASTM CF8M)		
7	Outer casing	EN 1.4301 (AISI 304)	EN 1.4404 (AISI 316L)		
12	Suction cover	EN 1.4301 (AISI 304)	EN 1.4404 (AISI 316L)		
21	Impeller	EN 1.4301 (AISI 304)	EN 1.4404 (AISI 316L)		
21-1	Reduced impeller	EN 1.4301 (AISI 304)	EN 1.4404 (AISI 316L)		
31	Shaft	EN 1.4301 (AISI 304)	EN 1.4404 (AISI 316L) - EN 1.4462 (AISI 329A)		
32-1	Adjuster key	EN 1.4301 (AISI 304)			
39-1	Coupling key	above 37 kW	Carbon Steel		
43-1	Shaft sleeve (mechanical seal)	EN 1.4301 (AISI 304)	EN 1.4404 (AISI 316L)		
43-2	Shaft sleeve (intermediate)	EN 1.4301 (AISI 304)	EN 1.4404 (AISI 316L)		
43-3	Shaft sleeve (bearing)	EN 1.4301 (AISI 304)	EN 1.4404 (AISI 316L)		
43-4	Shaft sleeve (adjustment)	EN 1.4301 (AISI 304)	EN 1.4404 (AISI 316L)		
43-5	Shaft sleeve (last stage)	EN 1.4301 (AISI 304)	EN 1.4404 (AISI 316L)		
43-6	Shaft sleeve (adjustment)	EN 1.4301 (AISI 304)	EN 1.4404 (AISI 316L)		
44-1	Shaft sleeve bearing	Tungsten carbide			
44-2	Shaft sleeve (bearing)	Tungsten carbide			
45	Flange holder	EN 1.4301 (AISI 304)			
46	Ring (mechanical seal)	EN 1.4404 (AISI 316L)			
47	Ring holder	EN 1.4404 (AISI 316L)			
48	Impeller nut	EN 1.4301 (AISI 304) with inox insert	EN 1.4401 (AISI 316) with inox insert		
51	Motor adapter	above 37 kW	Cast Iron EN GJL250 EN 1561		
52-1	Sleeve bearing	Tungsten carbide			
52-2	Bearing sleeve (bottom casing)	Tungsten carbide			
53	Bush holder	EN 1.4301 (AISI 304)	EN 1.4404 (AISI 316L)		
56	Ball bearing	above 37 kW	see table page 111		
70-1	Ring for ball bearing	above 37 kW	EN 1.4301 (AISI 304)		
70-2	Ring for bearing sleeve	EN 1.4301 (AISI 304)	EN 1.4404 (AISI 316L)		
75	O-Ring (priming plug)	EPDM / FPM		Ø12.37x2.62	OR 3050
75-1	O-Ring (drainage plug)	EPDM / FPM			
81	Bush	PTFE			
107	Liner ring	EN 1.4301 (AISI 304) + PPS	EN 1.4404 (AISI 316L) + PPS		
111-1	Mechanical seal	see pages 6-7			
111-3	Mechanical seal seat	EN 1.4301 (AISI 304)	EN 1.4401 (AISI 316)		
111-4	Seal holder	EN 1.4404 (AISI 316L)			
111-5	Mechanical seal cartridge sleeve	EN 1.4301 (AISI 304)	EN 1.4404 (AISI 316L)		
115-1	O-Ring (outer casing)	EPDM / FPM		Ø240.66x5.34	OR 6945
115-4	O-Ring (cartridge sleeve)	EPDM / FPM		Ø23.39x3.53	OR 4093
115-5	O-Ring (seal flange)	EPDM / FPM		Ø44.04x3.53	OR 4175
120-1	Tie rod	EN 1.4057 (AISI 431)			
120-2	Tie rod (stage)	EN 1.4301 (AISI 304)	EN 1.4401 (AISI 316)		
120-3	Screw (seal flange)	A2-70		M5x12	ISO 4762
120-5	Screw (extension coupling)	above 37 kW	Galvanized steel 8.8 strength class ISO 898/1		M10x30 ISO 4017

SECTIONAL TABLE EVMS(L)45

N°	PART NAME	MATERIAL		DIMENSIONS	STANDARD
		EVMS	EVMSL		
120-6	Screw (pump coupling)	up to 7.5 kW	Galvanized steel 8.8 strength class ISO 898/1	M8x25	ISO 4762
		from 11 kW to 30 kW	Galvanized steel 8.8 strength class ISO 898/1	M10x30	ISO 4762
		above 37 kW	Galvanized steel 8.8 strength class ISO 898/1	M12x30	ISO 4762
120-7	Screw (ball bearing)	above 37 kW	Galvanized steel 8.8 strength class ISO 898/1	M6x10	ISO 4017
120-8	Screw (motor adapter)	above 37 kW	Galvanized steel 8.8 strength class ISO 898/1	M10x40	ISO 4017
120-9	Screw (bottom casing)		A2-70	M5x8	ISO 4017
120-12	Screw (shaft)		A2-70	M6x16	ISO 4762
120-13	Screw for motor	MEC 132	Galvanized steel 8.8 strength class ISO 898/1	M12x45	ISO 4017
		MEC 160-180	Galvanized steel 8.8 strength class ISO 898/1	M16x50	ISO 4017
		MEC 200-225	Galvanized steel 8.8 strength class ISO 898/1	M16x60	ISO 4014
128-1	Nut (tie rod)		A2-70	M16	ISO 4032
128-2	Nut (casing tie rod)		A2-70	M5	ISO 4032
128-3	Nut (motor)	MEC 132	Galvanized steel	M12	ISO 4032
		MEC 160-180-200-225	Galvanized steel	M16	ISO 4032
130-1	Set screw		EN 1.4301 (AISI 304)	M6x8	ISO 4026
130-2	Screw for coupling guard		A2-70	M5x6	UNI 7687
130-4	Set screw (pump coupling)	above 37 kW	Galvanized steel	M10x10	ISO 4026
131-1	Pin for shaft		Carbon Steel	Ø8x50	ISO 2338
131-2	Elastic pin		EN 1.4301 (AISI 304)	Ø6x26	ISO 8752
135-1	Washer (tie rod)		EN 1.4301 (AISI 304)	Ø16	ISO 7089
135-2	Washer (casing tie rod)		EN 1.4301 (AISI 304) EN 1.4404 (AISI 316)	Ø5,1	UNI 1751
135-3	Washer (extension coupling)	above 37 kW	Galvanized steel	Ø10,2	UNI 1751
135-4	Washer (ball bearing)	above 37 kW	Plated carbon steel	Ø6,1	UNI 1751
135-5	Washer (impeller nut)		EN 1.4301 (AISI 304) EN 1.4404 (AISI 316L)		
137-1	Impeller spacer		EN 1.4301 (AISI 304) EN 1.4404 (AISI 316L)		
137-2	Shaft spacer		EN 1.4301 (AISI 304) EN 1.4404 (AISI 316L)		
140	Coupling	up to 30 kW	Cast Iron EN GJL250 EN 1561		
140-1	Extension coupling	above 37 kW	Carbon Steel		
140-2	Coupling	above 37 kW	Carbon Steel		
150	Spacer (snap ring)	above 37 kW	Carbon Steel		
160	Base		Cast Iron EN GJL200 EN 1561		
162	Motor bracket	up to 30 kW	Cast Iron EN GJS 400-15 EN 1563		
212	Priming plug		EN 1.4301 (AISI 304) EN 1.4404 (AISI 316L)		
212-1	Drainage plug		EN 1.4301 (AISI 304) EN 1.4404 (AISI 316L)		
212-2	Venting plug		EN 1.4401 (AISI 316)		
212-3	Priming plug		EN 1.4301 (AISI 304) EN 1.4404 (AISI 316L)		
245	Coupling guard		EN 1.4301 (AISI 304)		
273-1	Washer (drainage plug)		EN 1.4301 (AISI 304) EN 1.4404 (AISI 316L)		
274-2	C-type snap ring (coupling)	above 37 kW	Carbon Steel TC80	Ø75	UNI 7435
615	Loose flange		Cast Iron EN GJS 500-7 EN 1563		

QUANTITY FOR MODEL EVMS(L)45

Pump Type	N°																											
	4	5-2	5-3	5-4	5-5	6	7	12	21	21-1	31	32-1	39-1	43-1	43-2	43-3	43-4	43-5	43-6	44-1	44-2	45	46	47	48	51	52-1	52-2
EVMS(L)45 1-1/5.5	1	/	/	1	1	1	1	1	/	1	1	/	1	1	/	/	1	1	/	1	4	1	1	1	/	/	1	
EVMS(L)45 1-0/7.5	1	/	/	1	1	1	1	1	1	/	1	1	/	1	1	/	/	1	1	/	1	4	1	1	1	/	/	1
EVMS(L)45 2-2/11	1	1	1	1	1	1	1	1	/	2	1	1	/	1	1	1	1	1	1	1	1	4	1	1	1	/	1	1
EVMS(L)45 2-1/11	1	1	1	1	1	1	1	1	1	1	1	1	/	1	1	1	1	1	1	1	1	4	1	1	1	/	1	1
EVMS(L)45 2-0/15	1	1	1	1	1	1	1	1	2	/	1	1	/	1	1	1	1	1	1	1	1	4	1	1	1	/	1	1
EVMS(L)45 3-2/15	1	2	1	1	1	1	1	1	1	2	1	1	/	1	2	1	1	1	1	1	1	4	1	1	1	/	1	1
EVMS(L)45 3-1/18.5	1	2	1	1	1	1	1	1	2	1	1	1	/	1	2	1	1	1	1	1	1	4	1	1	1	/	1	1
EVMS(L)45 3-0/18.5	1	2	1	1	1	1	1	1	3	/	1	1	/	1	2	1	1	1	1	1	1	4	1	1	1	/	1	1
EVMS(L)45 4-2/22	1	2	1	1	1	1	1	1	2	2	1	1	/	1	3	1	1	1	1	1	1	4	1	1	1	/	1	1
EVMS(L)45 4-1/30	1	2	1	1	1	1	1	1	3	1	1	1	/	1	3	1	1	1	1	1	1	4	1	1	1	/	1	1
EVMS(L)45 4-0/30	1	2	1	1	1	1	1	1	4	/	1	1	/	1	3	1	1	1	1	1	1	4	1	1	1	/	1	1
EVMS(L)45 5-2/30	1	3	1	1	1	1	1	1	3	2	1	1	/	1	4	1	1	1	1	1	1	4	1	1	1	/	1	1
EVMS(L)45 5-1/30	1	3	1	1	1	1	1	1	4	1	1	1	/	1	4	1	1	1	1	1	1	4	1	1	1	/	1	1
EVMS(L)45 5-0/37	1	3	1	1	1	1	1	1	5	/	1	1	/	1	1	4	1	1	1	1	1	1	4	1	1	1	1	1
EVMS(L)45 6-2/37	1	4	1	1	1	1	1	1	4	2	1	1	/	1	1	5	1	1	1	1	1	4	1	1	1	1	1	1
EVMS(L)45 6-1/37	1	4	1	1	1	1	1	1	5	1	1	1	/	1	1	5	1	1	1	1	1	4	1	1	1	1	1	1
EVMS(L)45 6-0/37	1	4	1	1	1	1	1	1	6	/	1	1	/	1	1	5	1	1	1	1	1	4	1	1	1	1	1	1
EVMS(L)45 7-2/45	1	5	2	1	1	1	1	1	5	2	1	1	/	1	1	6	2	2	1	1	2	1	4	1	1	1	1	1
EVMS(L)45 7-1/45	1	5	2	1	1	1	1	1	6	1	1	1	/	1	1	6	2	2	1	1	2	1	4	1	1	1	1	1
EVMS(L)45 7-0/45	1	5	2	1	1	1	1	1	7	/	1	1	/	1	1	6	2	2	1	1	2	1	4	1	1	1	1	1

☐ shaft in EN 1.4462 (AISI 329A)

Pump Type	N°																											
	53	56	70-1	70-2	75	75-1	81	107	111-1	111-3	111-4	111-5	115-1	115-4	115-5	120-1	120-2	120-3	120-5	120-6	120-7	120-8	120-9	120-12	120-13	128-1	128-2	128-3
EVMS(L)45 1-1/5.5	1	/	/	1	2	4	1	1	1	1	1	1	2	1	1	4	2	4	/	4	/	/	4	1	4	4	4	4
EVMS(L)45 1-0/7.5	1	/	/	1	2	4	1	1	1	1	1	1	2	1	1	4	2	4	/	4	/	/	4	1	4	4	4	4
EVMS(L)45 2-2/11	1	/	/	1	2	4	1	2	1	1	1	1	2	1	1	4	2	4	/	4	/	/	4	1	4	4	4	4
EVMS(L)45 2-1/11	1	/	/	1	2	4	1	2	1	1	1	1	2	1	1	4	2	4	/	4	/	/	4	1	4	4	4	4
EVMS(L)45 2-0/15	1	/	/	1	2	4	1	2	1	1	1	1	2	1	1	4	2	4	/	4	/	/	4	1	4	4	4	4
EVMS(L)45 3-2/15	2	/	/	1	2	4	2	3	1	1	1	1	2	1	1	4	2	4	/	4	/	/	4	1	4	4	4	4
EVMS(L)45 3-1/18.5	2	/	/	1	2	4	2	3	1	1	1	1	2	1	1	4	2	4	/	4	/	/	4	1	4	4	4	4
EVMS(L)45 3-0/18.5	2	/	/	1	2	4	2	3	1	1	1	1	2	1	1	4	2	4	/	4	/	/	4	1	4	4	4	4
EVMS(L)45 4-2/22	4	/	/	1	2	4	3	4	1	1	1	1	2	1	1	4	2	4	/	4	/	/	4	1	4	4	4	4
EVMS(L)45 4-1/30	4	/	/	1	2	4	3	4	1	1	1	1	2	1	1	4	2	4	/	4	/	/	4	1	4	4	4	4
EVMS(L)45 4-0/30	4	/	/	1	2	4	3	4	1	1	1	1	2	1	1	4	2	4	/	4	/	/	4	1	4	4	4	4
EVMS(L)45 5-2/30	5	/	/	1	2	4	4	5	1	1	1	1	2	1	1	4	2	4	/	4	/	/	4	1	4	4	4	4
EVMS(L)45 5-1/30	5	/	/	1	2	4	4	5	1	1	1	1	2	1	1	4	2	4	/	4	/	/	4	1	4	4	4	4
EVMS(L)45 5-0/37	5	1	1	1	2	4	4	5	1	1	1	1	2	1	1	4	2	4	4	2	3	4	4	1	4	4	4	4
EVMS(L)45 6-2/37	6	1	1	1	2	4	5	6	1	1	1	1	2	1	1	4	2	4	4	2	3	4	4	1	4	4	4	4
EVMS(L)45 6-1/37	6	1	1	1	2	4	5	6	1	1	1	1	2	1	1	4	2	4	4	2	3	4	4	1	4	4	4	4
EVMS(L)45 6-0/37	6	1	1	1	2	4	5	6	1	1	1	1	2	1	1	4	2	4	4	2	3	4	4	1	4	4	4	4
EVMS(L)45 7-2/45	6	1	1	1	2	4	5	7	1	1	1	1	2	1	1	4	2	4	4	2	3	4	4	1	8	4	4	8
EVMS(L)45 7-1/45	6	1	1	1	2	4	5	7	1	1	1	1	2	1	1	4	2	4	4	2	3	4	4	1	8	4	4	8
EVMS(L)45 7-0/45	6	1	1	1	2	4	5	7	1	1	1	1	2	1	1	4	2	4	4	2	3	4	4	1	8	4	4	8

QUANTITY FOR MODEL EVMS(L)45

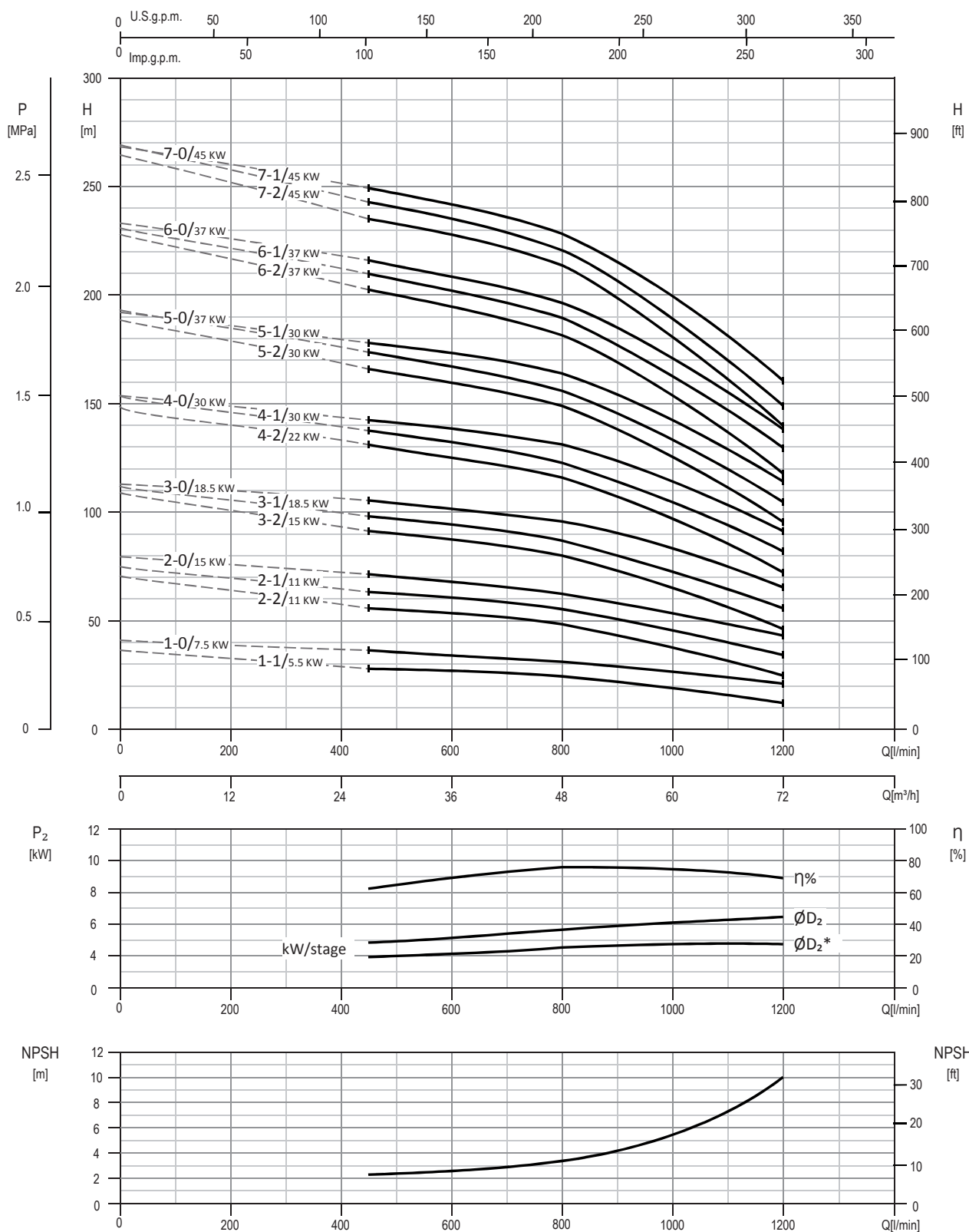
Pump Type	N°																									
	130-1	130-2	130-4	131-1	131-2	135-1	135-2	135-3	135-4	135-5	137-1	137-2	140	140-1	140-2	150	160	162	212	212-1	212-2	212-3	245	273-1	274-2	615
EVMS(L)45 1-1/5.5	3	4	/	1	1	4	2	/	/	1	1	1	2	/	/	/	1	1	1	4	1	1	2	4	/	2
EVMS(L)45 1-0/7.5	3	4	/	1	1	4	2	/	/	1	1	1	2	/	/	/	1	1	1	4	1	1	2	4	/	2
EVMS(L)45 2-2/11	3	4	/	1	1	4	2	/	/	1	1	1	2	/	/	/	1	1	1	4	1	1	2	4	/	2
EVMS(L)45 2-1/11	3	4	/	1	1	4	2	/	/	1	1	1	2	/	/	/	1	1	1	4	1	1	2	4	/	2
EVMS(L)45 2-0/15	3	4	/	1	1	4	2	/	/	1	1	1	2	/	/	/	1	1	1	4	1	1	2	4	/	2
EVMS(L)45 3-2/15	3	4	/	1	1	4	2	/	/	1	1	1	2	/	/	/	1	1	1	4	1	1	2	4	/	2
EVMS(L)45 3-1/18.5	3	4	/	1	1	4	2	/	/	1	1	1	2	/	/	/	1	1	1	4	1	1	2	4	/	2
EVMS(L)45 3-0/18.5	3	4	/	1	1	4	2	/	/	1	1	1	2	/	/	/	1	1	1	4	1	1	2	4	/	2
EVMS(L)45 4-2/22	3	4	/	1	1	4	2	/	/	1	1	1	2	/	/	/	1	1	1	4	1	1	2	4	/	2
EVMS(L)45 4-1/30	3	4	/	1	1	4	2	/	/	1	1	1	2	/	/	/	1	1	1	4	1	1	2	4	/	2
EVMS(L)45 4-0/30	3	4	/	1	1	4	2	/	/	1	1	1	2	/	/	/	1	1	1	4	1	1	2	4	/	2
EVMS(L)45 5-2/30	3	4	/	1	1	4	2	/	/	1	1	1	2	/	/	/	1	1	1	4	1	1	2	4	/	2
EVMS(L)45 5-1/30	3	4	/	1	1	4	2	/	/	1	1	1	2	/	/	/	1	1	1	4	1	1	2	4	/	2
EVMS(L)45 5-0/37	3	4	1	1	1	4	2	4	3	1	1	1	/	1	1	1	1	1	4	1	1	2	4	1	2	
EVMS(L)45 6-2/37	3	4	1	1	1	4	2	4	3	1	1	1	/	1	1	1	1	1	4	1	1	2	4	1	2	
EVMS(L)45 6-1/37	3	4	1	1	1	4	2	4	3	1	1	1	/	1	1	1	1	1	4	1	1	2	4	1	2	
EVMS(L)45 6-0/37	3	4	1	1	1	4	2	4	3	1	1	1	/	1	1	1	1	1	4	1	1	2	4	1	2	
EVMS(L)45 7-2/45	3	4	1	1	1	4	2	4	3	1	1	1	/	1	1	1	1	1	4	1	1	2	4	1	2	
EVMS(L)45 7-1/45	3	4	1	1	1	4	2	4	3	1	1	1	/	1	1	1	1	1	4	1	1	2	4	1	2	
EVMS(L)45 7-0/45	3	4	1	1	1	4	2	4	3	1	1	1	/	1	1	1	1	1	4	1	1	2	4	1	2	

BEARINGS EVMS(L)45

Pump Type	N° 56
EVMS(L)45 1-1/5.5	/
EVMS(L)45 1-0/7.5	/
EVMS(L)45 2-2/11	/
EVMS(L)45 2-1/11	/
EVMS(L)45 2-0/15	/
EVMS(L)45 3-2/15	/
EVMS(L)45 3-1/18.5	/
EVMS(L)45 3-0/18.5	/
EVMS(L)45 4-2/22	/
EVMS(L)45 4-1/30	/
EVMS(L)45 4-0/30	/
EVMS(L)45 5-2/30	/
EVMS(L)45 5-1/30	/
EVMS(L)45 5-0/37	6315 ZZ C3
EVMS(L)45 6-2/37	6315 ZZ C3
EVMS(L)45 6-1/37	6315 ZZ C3
EVMS(L)45 6-0/37	6315 ZZ C3
EVMS(L)45 7-2/45	6315 ZZ C3
EVMS(L)45 7-1/45	6315 ZZ C3
EVMS(L)45 7-0/45	6315 ZZ C3

PERFORMANCE CURVE
EVMSG45

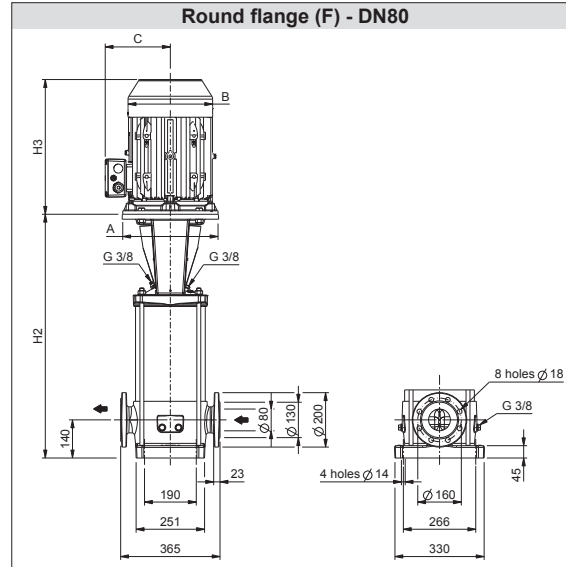
EVMSG45



Test standard: ISO 9906:2012 - Grade 3B

TECHNICAL DATA EVMSG45

Dimensional sketch



Dimensions [mm] and Weights [Kg]

Pump Type	P _{max} [MPa]	Motor					Round flange (F)			
		kW	Size	A Ø	B	C	H2	H2+H3	Weight Pump	Weight Pump + Motor
EVMSG45 1-1/5.5	1.6	5.5	132	300	220	152	650	1049	70.5	109.5
EVMSG45 1-0/7.5	1.6	7.5	132	300	220	152	650	1069	70.5	116.5
EVMSG45 2-2/11	1.6	11	160	350	259	180	752	1191	82.6	145.1
EVMSG45 2-1/11	1.6	11	160	350	259	180	752	1191	82.7	145.2
EVMSG45 2-0/15	1.6	15	160	350	311	240	752	1247	71.7	172.7
EVMSG45 3-2/15	1.6	15	160	350	311	240	824	1319	76.7	177.7
EVMSG45 3-1/18.5	1.6	18.5	160	350	311	240	824	1319	80.9	189.9
EVMSG45 3-0/18.5	1.6	18.5	160	350	311	240	824	1319	80.9	189.9
EVMSG45 4-2/22	1.6	22	180	350	354	260	896	1448	83.0	218.0
EVMSG45 4-1/30	1.6	30	200	400	354	280	896	1448	75.3	243.3
EVMSG45 4-0/30	1.6	30	200	400	354	280	896	1448	75.3	243.3
EVMSG45 5-2/30	2.5	30	200	400	354	280	968	1520	80.6	248.6
EVMSG45 5-1/30	2.5	30	200	400	354	280	968	1520	80.6	248.6
EVMSG45 5-0/37	2.5	37	200	400	382	295	985	1662	110.6	370.6
EVMSG45 6-2/37	2.5	37	200	400	382	295	1057	1734	117.4	377.4
EVMSG45 6-1/37	2.5	37	200	400	382	295	1057	1734	117.4	377.4
EVMSG45 6-0/37	2.5	37	200	400	382	295	1057	1734	117.4	377.4
EVMSG45 7-2/45	3.5	45	225	450	449	335	1129	1895	134.2	508.2
EVMSG45 7-1/45	3.5	45	225	450	449	335	1129	1895	134.2	508.2
EVMSG45 7-0/45	3.5	45	225	450	449	335	1129	1895	134.2	508.2

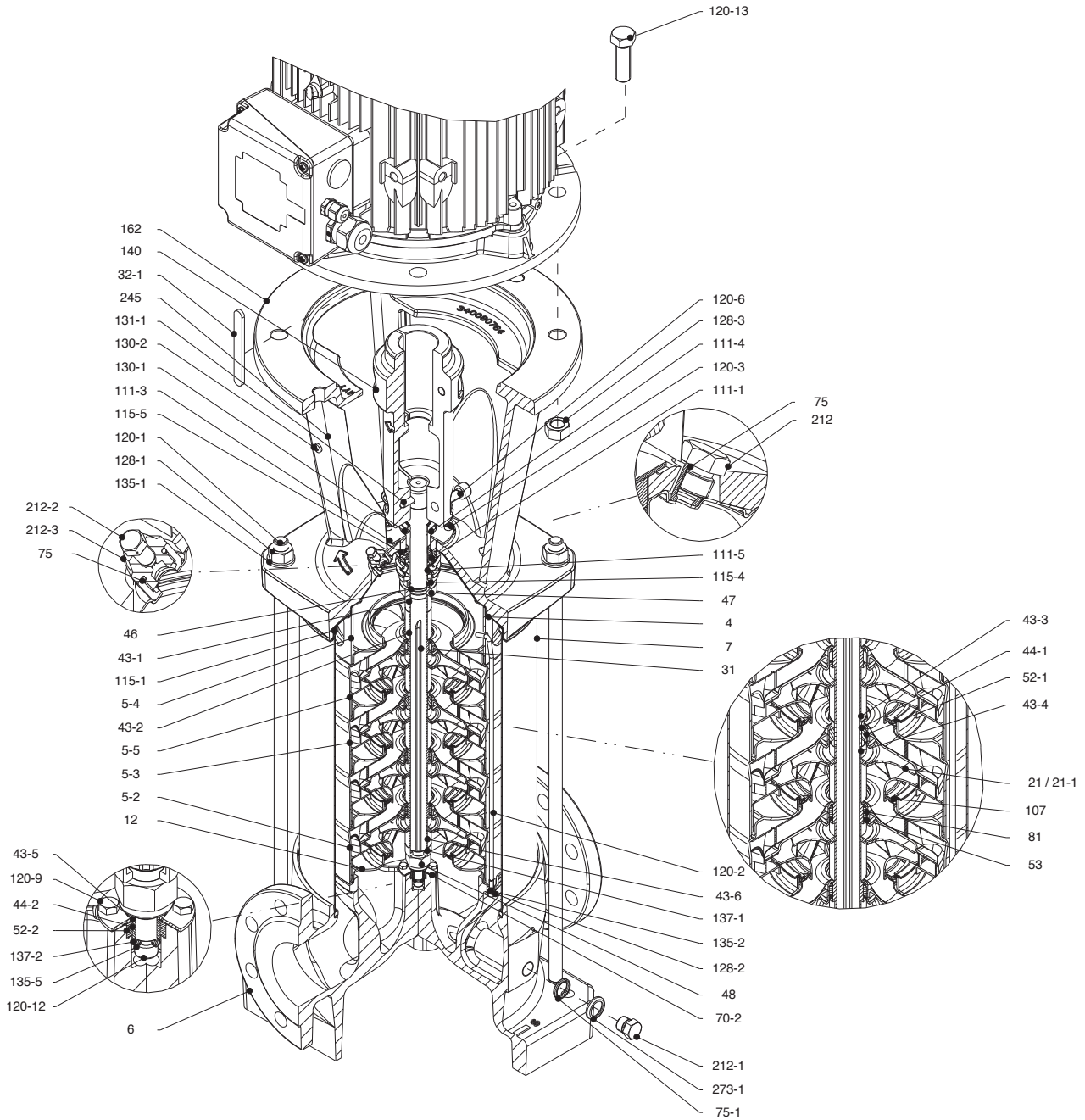
1.6 MPa=16 bar;

2.5 MPa=25 bar;

3.5 MPa=35 bar

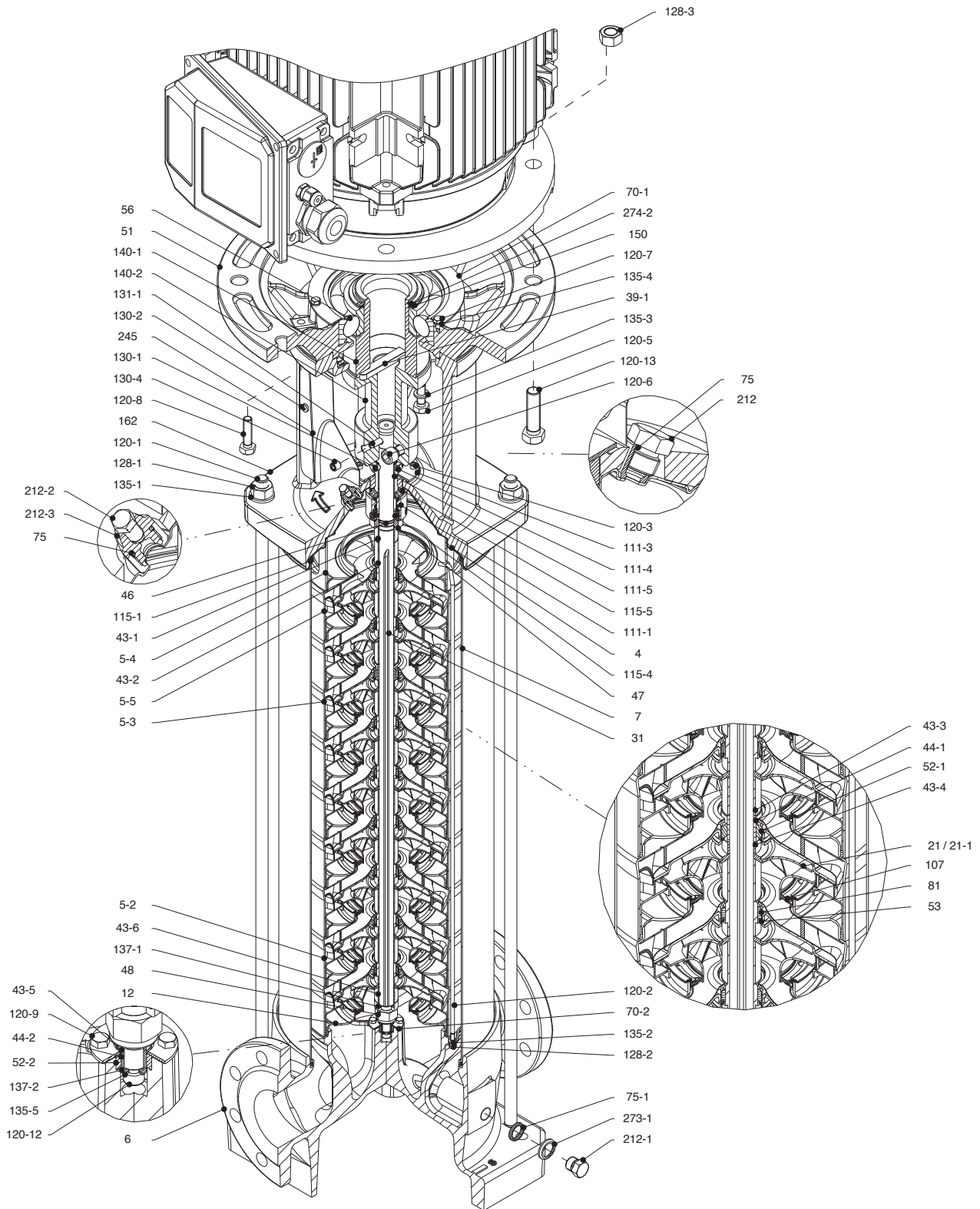
SECTIONAL VIEW
EVMSG45

EVMSG45



Pump without ball bearing
up to 30 kW

SECTIONAL VIEW EVMSG45



Pump with single ball bearing
above 37 kW

SECTIONAL TABLE
EVMSG45

N°	PART NAME	MATERIAL EVMSG	DIMENSIONS	STANDARD
4	Casing cover	EN 1.4301 (AISI 304)		
5-2	Intermediate casing	EN 1.4301 (AISI 304)		
5-3	Intermediate casing with bearing	EN 1.4301 (AISI 304)		
5-4	Discharge casing	EN 1.4301 (AISI 304)		
5-5	Top intermediate casing	EN 1.4301 (AISI 304)		
6	Bottom casing	Cast Iron EN GJL-250 EN 1561 Cast Iron EN GJS 400-15 EN 1563		
7	Outer casing	EN 1.4301 (AISI 304)		
12	Suction cover	EN 1.4301 (AISI 304)		
21	Impeller	EN 1.4301 (AISI 304)		
21-1	Reduced impeller	EN 1.4301 (AISI 304)		
31	Shaft	EN 1.4301 (AISI 304)		
32-1	Adjuster key	EN 1.4301 (AISI 304)		
39-1	Coupling key	Carbon Steel		
	above 37 kW			
43-1	Shaft sleeve (mechanical seal)	EN 1.4301 (AISI 304)		
43-2	Shaft sleeve (intermediate)	EN 1.4301 (AISI 304)		
43-3	Shaft sleeve (bearing)	EN 1.4301 (AISI 304)		
43-4	Shaft sleeve (adjustment)	EN 1.4301 (AISI 304)		
43-5	Shaft sleeve (last stage)	EN 1.4301 (AISI 304)		
43-6	Shaft sleeve (adjustment)	EN 1.4301 (AISI 304)		
44-1	Shaft sleeve bearing	Tungsten carbide		
44-2	Shaft sleeve (bearing)	Tungsten carbide		
46	Ring (mechanical seal)	EN 1.4404 (AISI 316L)		
47	Ring holder	EN 1.4301 (AISI 304)		
48	Impeller nut	EN 1.4301 (AISI 304) with inox insert		
51	Motor adapter	Cast Iron EN GJL250 EN 1561		
	above 37 kW			
52-1	Sleeve bearing	Tungsten carbide		
52-2	Bearing sleeve (bottom casing)	Tungsten carbide		
53	Bush holder	EN 1.4301 (AISI 304)		
56	Ball bearing	see table page 119		
	above 37 kW			
70-1	Ring for ball bearing	EN 1.4301 (AISI 304)		
	above 37 kW			
70-2	Ring for bearing sleeve	EN 1.4301 (AISI 304)		
75	O-Ring (priming plug)	EPDM / FPM	Ø12.37x2.62	OR 3050
75-1	O-Ring (drainage plug)	EPDM / FPM		
81	Bush	PTFE		
107	Liner ring	EN 1.4301 (AISI 304) + PPS		
111-1	Mechanical seal	See pages 6-7		
111-3	Mechanical seal flange	EN 1.4301 (AISI 304)		
111-4	Seal holder	EN 1.4404 (AISI 316L)		
111-5	Mechanical seal cartridge sleeve	EN 1.4301 (AISI 304)		
115-1	O-Ring (outer casing)	EPDM / FPM	Ø240.66x5.34	OR 6945
115-4	O-Ring (cartridge sleeve)	EPDM / FPM	Ø23.39x3.53	OR 4093
115-5	O-Ring (seal flange)	EPDM / FPM	Ø44.04x3.53	OR 4175
120-1	Tie rod	EN 1.4057 (AISI 431)		
120-2	Tie rod (stage)	EN 1.4301 (AISI 304)		
120-3	Screw (seal flange)	A2-70	M5x12	ISO 4762
120-5	Screw (extension coupling)	Galvanized steel 8.8 strength class ISO 898/1	M10x30	ISO 4017
	above 37 kW			

SECTIONAL TABLE EVMSG45

N°	PART NAME	MATERIAL EVMSG	DIMENSIONS	STANDARD	
120-6	Screw (pump coupling)	up to 7.5 kW	Galvanized steel 8.8 strength class ISO 898/1	M8x25	ISO 4762
		from 11 kW to 30 kW	Galvanized steel 8.8 strength class ISO 898/1	M10x30	ISO 4762
		above 37 kW	Galvanized steel 8.8 strength class ISO 898/1	M12x30	ISO 4762
120-7	Screw (ball bearing)	above 37 kW	Galvanized steel 8.8 strength class ISO 898/1	M6x10	ISO 4017
120-8	Screw (motor adapter)	above 37 kW	Galvanized steel 8.8 strength class ISO 898/1	M10x40	ISO 4017
120-9	Screw (bottom casing)		A2-70	M5x8	ISO 4017
120-12	Screw (shaft)		A2-70	M6x16	ISO 4762
120-13	Screw for motor	MEC 132	Galvanized steel 8.8 strength class ISO 898/1	M12x45	ISO 4017
		MEC 160-180	Galvanized steel 8.8 strength class ISO 898/1	M16x50	ISO 4017
		MEC 200-225	Galvanized steel 8.8 strength class ISO 898/1	M16x60	ISO 4014
128-1	Nut (tie rod)		A2-70 UNI 7323 with	M16	ISO 4032
128-2	Nut (casing tie rod)		A2-70	M5	ISO 4032
128-3	Nut (motor)	MEC 132	Galvanized steel	M12	ISO 4032
		MEC 160-180-200-225	Galvanized steel	M16	ISO 4032
130-1	Set screw		EN 1.4301 (AISI 304)	M6x8	ISO 4026
130-2	Screw for coupling guard		A2-70	M5x6	UNI 7687
130-4	Set screw (pump coupling)	above 37 kW	Galvanized steel	M10x10	ISO 4026
131-1	Pin for shaft		Carbon Steel	Ø8X50	ISO 2338
135-1	Washer (tie rod)		EN 1.4301 (AISI 304)	Ø16	ISO 7089
135-2	Washer (casing tie rod)		EN 1.4301 (AISI 304)	Ø5.1	UNI 1751
135-3	Washer (extension coupling)	above 37 kW	Galvanized steel	Ø10.2	UNI 1751
135-4	Washer (ball bearing)	above 37 kW	Plated carbon steel	Ø6.1	UNI 1751
135-5	Washer (impeller nut)		EN 1.4301 (AISI 304)		
137-1	Impeller spacer		EN 1.4301 (AISI 304)		
137-2	Shaft spacer		EN 1.4301 (AISI 304)		
140	Coupling	up to 30 kW	Cast Iron EN GJL250 EN 1561		
140-1	Extension coupling	above 37 kW	Carbon Steel		
140-2	Coupling	above 37 kW	Carbon Steel		
150	Spacer (snap ring)	above 37 kW	Carbon Steel		
162	Motor bracket	up to 30 kW	Cast Iron EN GJS 400-15 EN 1563		
212	Priming plug		EN 1.4301 (AISI 304)		
212-1	Drainage plug		EN 1.4301 (AISI 304)		
212-2	Venting plug		EN 1.4401 (AISI 316)		
212-3	Priming plug		EN 1.4301 (AISI 304)		
245	Coupling guard		EN 1.4301 (AISI 304)		
273-1	Washer (drainage plug)		EN 1.4301 (AISI 304)		
274-2	C-type snap ring (coupling)	above 37 kW	Carbon Steel TC80	Ø75	UNI 7435

QUANTITY FOR MODEL
EVMSG45

Pump Type	N°																											
	4	5-2	5-3	5-4	5-5	6	7	12	21	21-1	31	32-1	39-1	43-1	43-2	43-3	43-4	43-5	43-6	44-1	44-2	46	47	48	51	52-1	52-2	53
EVMSG45 1-1/5.5	1	/	/	1	1	1	1	1	/	1	1	/	1	1	/	/	1	1	/	1	1	1	1	/	/	1	1	1
EVMSG45 1-0/7.5	1	/	/	1	1	1	1	1	1	/	1	1	/	1	1	/	/	1	1	/	1	1	1	1	/	/	1	1
EVMSG45 2-2/11	1	1	1	1	1	1	1	1	/	2	1	1	/	1	1	1	1	1	1	1	1	1	1	1	1	1	1	1
EVMSG45 2-1/11	1	1	1	1	1	1	1	1	1	1	1	/	1	1	1	1	1	1	1	1	1	1	1	1	1	/	1	1
EVMSG45 2-0/15	1	1	1	1	1	1	1	1	2	/	1	1	/	1	1	1	1	1	1	1	1	1	1	1	1	/	1	1
EVMSG45 3-2/15	1	2	1	1	1	1	1	1	1	2	1	1	/	1	2	1	1	1	1	1	1	1	1	1	1	/	1	1
EVMSG45 3-1/18.5	1	2	1	1	1	1	1	1	2	1	1	/	1	2	1	1	1	1	1	1	1	1	1	1	/	1	1	
EVMSG45 3-0/18.5	1	2	1	1	1	1	1	1	3	/	1	1	/	1	2	1	1	1	1	1	1	1	1	1	/	1	1	
EVMSG45 4-2/22	1	2	1	1	1	1	1	1	2	2	1	1	/	1	3	1	1	1	1	1	1	1	1	1	/	1	1	
EVMSG45 4-1/30	1	2	1	1	1	1	1	1	3	1	1	1	/	1	3	1	1	1	1	1	1	1	1	1	/	1	1	
EVMSG45 4-0/30	1	2	1	1	1	1	1	1	4	/	1	1	/	1	3	1	1	1	1	1	1	1	1	1	/	1	1	
EVMSG45 5-2/30	1	3	1	1	1	1	1	1	3	2	1	1	/	1	4	1	1	1	1	1	1	1	1	1	/	1	1	
EVMSG45 5-1/30	1	3	1	1	1	1	1	1	4	1	1	1	/	1	4	1	1	1	1	1	1	1	1	1	/	1	1	
EVMSG45 5-0/37	1	3	1	1	1	1	1	1	5	/	1	1	/	1	4	1	1	1	1	1	1	1	1	1	1	1	1	
EVMSG45 6-2/37	1	4	1	1	1	1	1	1	4	2	1	/	1	1	5	1	1	1	1	1	1	1	1	1	1	1	1	
EVMSG45 6-1/37	1	4	1	1	1	1	1	1	5	1	1	/	1	1	5	1	1	1	1	1	1	1	1	1	1	1	1	
EVMSG45 6-0/37	1	4	1	1	1	1	1	1	6	/	1	/	1	1	5	1	1	1	1	1	1	1	1	1	1	1	1	
EVMSG45 7-2/45	1	5	2	1	1	1	1	1	5	2	1	/	1	1	6	2	2	1	1	2	1	1	1	1	1	2	1	
EVMSG45 7-1/45	1	5	2	1	1	1	1	1	6	1	1	/	1	1	6	2	2	1	1	2	1	1	1	1	1	2	1	
EVMSG45 7-0/45	1	5	2	1	1	1	1	1	7	/	1	1	/	1	1	6	2	2	1	1	2	1	1	1	1	2	1	

□ shaft in EN 1.4462 (AISI 329A)

Pump Type	N°																											
	56	70-1	70-2	75	75-1	81	107	111-1	111-3	111-4	111-5	115-1	115-4	115-5	120-1	120-2	120-3	120-5	120-6	120-7	120-8	120-9	120-12	120-13	128-1	128-2	128-3	130-1
EVMSG45 1-1/5.5	/	/	1	2	4	1	1	1	1	1	1	2	1	1	4	2	4	/	4	/	/	4	1	4	4	4	4	3
EVMSG45 1-0/7.5	/	/	1	2	4	1	1	1	1	1	1	2	1	1	4	2	4	/	4	/	/	4	1	4	4	4	4	3
EVMSG45 2-2/11	/	/	1	2	4	1	2	1	1	1	1	2	1	1	4	2	4	/	4	/	/	4	1	4	4	4	4	3
EVMSG45 2-1/11	/	/	1	2	4	1	2	1	1	1	1	2	1	1	4	2	4	/	4	/	/	4	1	4	4	4	4	3
EVMSG45 2-0/15	/	/	1	2	4	1	2	1	1	1	1	2	1	1	4	2	4	/	4	/	/	4	1	4	4	4	4	3
EVMSG45 3-2/15	/	/	1	2	4	2	3	1	1	1	1	2	1	1	4	2	4	/	4	/	/	4	1	4	4	4	4	3
EVMSG45 3-1/18.5	/	/	1	2	4	2	3	1	1	1	1	2	1	1	4	2	4	/	4	/	/	4	1	4	4	4	4	3
EVMSG45 3-0/18.5	/	/	1	2	4	2	3	1	1	1	1	2	1	1	4	2	4	/	4	/	/	4	1	4	4	4	4	3
EVMSG45 4-2/22	/	/	1	2	4	3	4	1	1	1	1	2	1	1	4	2	4	/	4	/	/	4	1	4	4	4	4	3
EVMSG45 4-1/30	/	/	1	2	4	3	4	1	1	1	1	2	1	1	4	2	4	/	4	/	/	4	1	4	4	4	4	3
EVMSG45 4-0/30	/	/	1	2	4	3	4	1	1	1	1	2	1	1	4	2	4	/	4	/	/	4	1	4	4	4	4	3
EVMSG45 5-2/30	/	/	1	2	4	4	5	1	1	1	1	2	1	1	4	2	4	/	4	/	/	4	1	4	4	4	4	3
EVMSG45 5-1/30	/	/	1	2	4	4	5	1	1	1	1	2	1	1	4	2	4	/	4	/	/	4	1	4	4	4	4	3
EVMSG45 5-0/37	1	1	1	2	4	4	5	1	1	1	1	2	1	1	4	2	4	4	2	3	4	4	1	4	4	4	4	3
EVMSG45 6-2/37	1	1	1	2	4	5	6	1	1	1	1	2	1	1	4	2	4	4	2	3	4	4	1	4	4	4	4	3
EVMSG45 6-1/37	1	1	1	2	4	5	6	1	1	1	1	2	1	1	4	2	4	4	2	3	4	4	1	4	4	4	4	3
EVMSG45 6-0/37	1	1	1	2	4	5	6	1	1	1	1	2	1	1	4	2	4	4	2	3	4	4	1	4	4	4	4	3
EVMSG45 7-2/45	1	1	1	2	4	5	7	1	1	1	1	2	1	1	4	2	4	4	2	3	4	4	1	8	4	4	8	3
EVMSG45 7-1/45	1	1	1	2	4	5	7	1	1	1	1	2	1	1	4	2	4	4	2	3	4	4	1	8	4	4	8	3
EVMSG45 7-0/45	1	1	1	2	4	5	7	1	1	1	1	2	1	1	4	2	4	4	2	3	4	4	1	8	4	4	8	3

QUANTITY FOR MODEL EVMSG45

Pump Type	N°																					
	130-2	130-4	131-1	135-1	135-2	135-3	135-4	135-5	137-1	137-2	140	140-1	140-2	150	162	212	212-1	212-2	212-3	245	273-1	274-2
EVMSG45 1-1/5.5	4	/	1	4	2	/	/	1	1	1	2	/	/	/	1	1	4	1	1	2	4	/
EVMSG45 1-0/7.5	4	/	1	4	2	/	/	1	1	1	2	/	/	/	1	1	4	1	1	2	4	/
EVMSG45 2-2/11	4	/	1	4	2	/	/	1	1	1	2	/	/	/	1	1	4	1	1	2	4	/
EVMSG45 2-1/11	4	/	1	4	2	/	/	1	1	1	2	/	/	/	1	1	4	1	1	2	4	/
EVMSG45 2-0/15	4	/	1	4	2	/	/	1	1	1	2	/	/	/	1	1	4	1	1	2	4	/
EVMSG45 3-2/15	4	/	1	4	2	/	/	1	1	1	2	/	/	/	1	1	4	1	1	2	4	/
EVMSG45 3-1/18.5	4	/	1	4	2	/	/	1	1	1	2	/	/	/	1	1	4	1	1	2	4	/
EVMSG45 3-0/18.5	4	/	1	4	2	/	/	1	1	1	2	/	/	/	1	1	4	1	1	2	4	/
EVMSG45 4-2/22	4	/	1	4	2	/	/	1	1	1	2	/	/	/	1	1	4	1	1	2	4	/
EVMSG45 4-1/30	4	/	1	4	2	/	/	1	1	1	2	/	/	/	1	1	4	1	1	2	4	/
EVMSG45 4-0/30	4	/	1	4	2	/	/	1	1	1	2	/	/	/	1	1	4	1	1	2	4	/
EVMSG45 5-2/30	4	/	1	4	2	/	/	1	1	1	2	/	/	/	1	1	4	1	1	2	4	/
EVMSG45 5-1/30	4	/	1	4	2	/	/	1	1	1	2	/	/	/	1	1	4	1	1	2	4	/
EVMSG45 5-0/37	4	1	1	4	2	4	3	1	1	1	/	1	1	1	1	4	1	1	2	4	1	
EVMSG45 6-2/37	4	1	1	4	2	4	3	1	1	1	/	1	1	1	1	4	1	1	2	4	1	
EVMSG45 6-1/37	4	1	1	4	2	4	3	1	1	1	/	1	1	1	1	4	1	1	2	4	1	
EVMSG45 6-0/37	4	1	1	4	2	4	3	1	1	1	/	1	1	1	1	4	1	1	2	4	1	
EVMSG45 7-2/45	4	1	1	4	2	4	3	1	1	1	/	1	1	1	1	4	1	1	2	4	1	
EVMSG45 7-1/45	4	1	1	4	2	4	3	1	1	1	/	1	1	1	1	4	1	1	2	4	1	
EVMSG45 7-0/45	4	1	1	4	2	4	3	1	1	1	/	1	1	1	1	4	1	1	2	4	1	

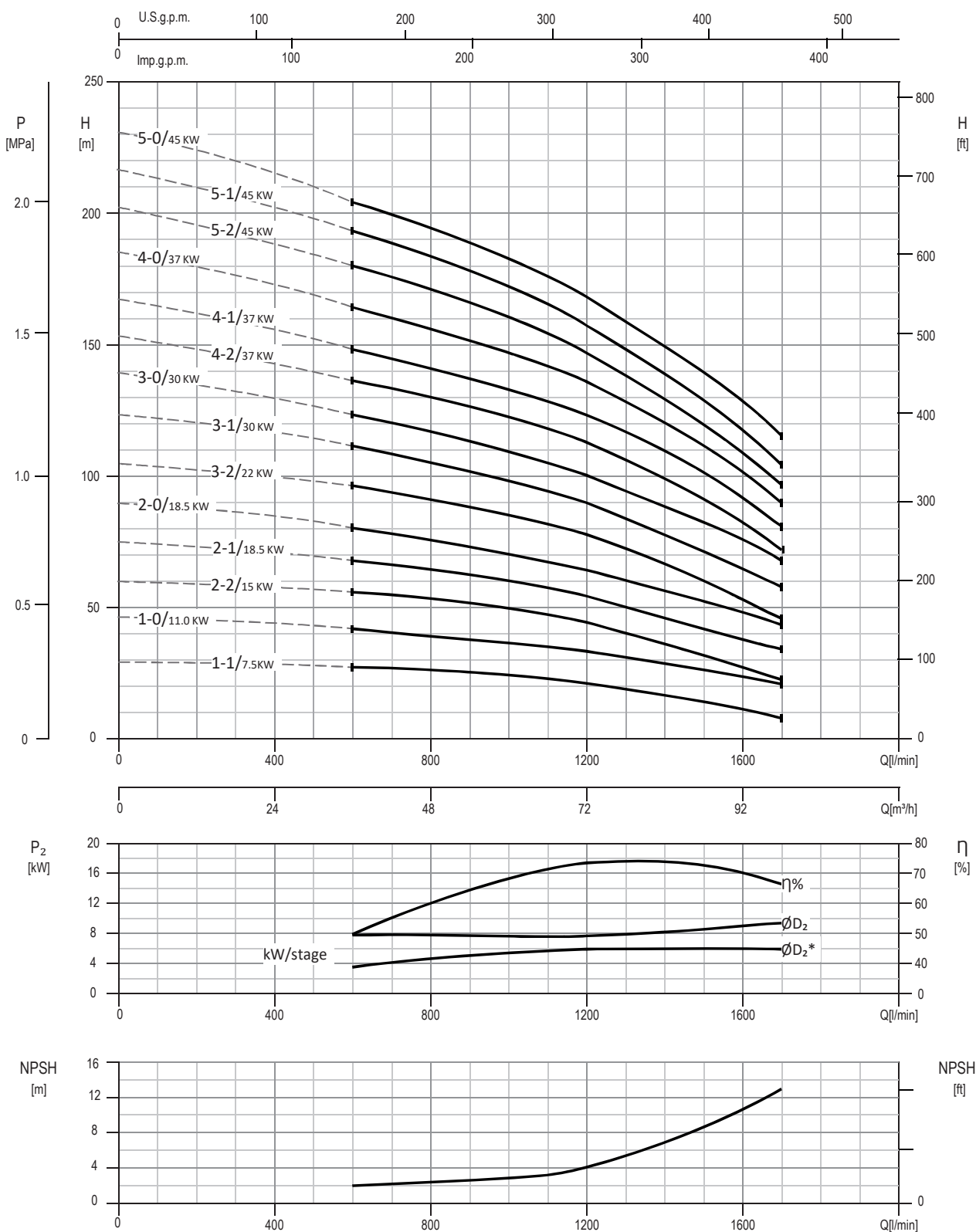
EVMSG45

BEARINGS EVMSG45

Pump Type	N° 56
EVMSG45 1-1/5.5	/
EVMSG45 1-0/7.5	/
EVMSG45 2-2/11	/
EVMSG45 2-1/11	/
EVMSG45 2-0/15	/
EVMSG45 3-2/15	/
EVMSG45 3-1/18.5	/
EVMSG45 3-0/18.5	/
EVMSG45 4-2/22	/
EVMSG45 4-1/30	/
EVMSG45 4-0/30	/
EVMSG45 5-2/30	/
EVMSG45 5-1/30	/
EVMSG45 5-0/37	6315 ZZ C3
EVMSG45 6-2/37	6315 ZZ C3
EVMSG45 6-1/37	6315 ZZ C3
EVMSG45 6-0/37	6315 ZZ C3
EVMSG45 7-2/45	6315 ZZ C3
EVMSG45 7-1/45	6315 ZZ C3
EVMSG45 7-0/45	6315 ZZ C3

PERFORMANCE CURVE
EVMS(L)64

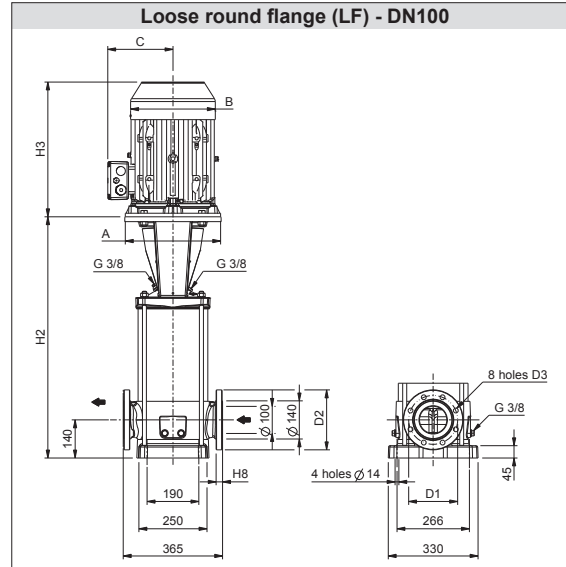
EVMS(L)64



Test standard: ISO 9906:2012 - Grade 3B

TECHNICAL DATA EVMS(L)64

Dimensional sketch



Dimensions [mm] and Weights [Kg]

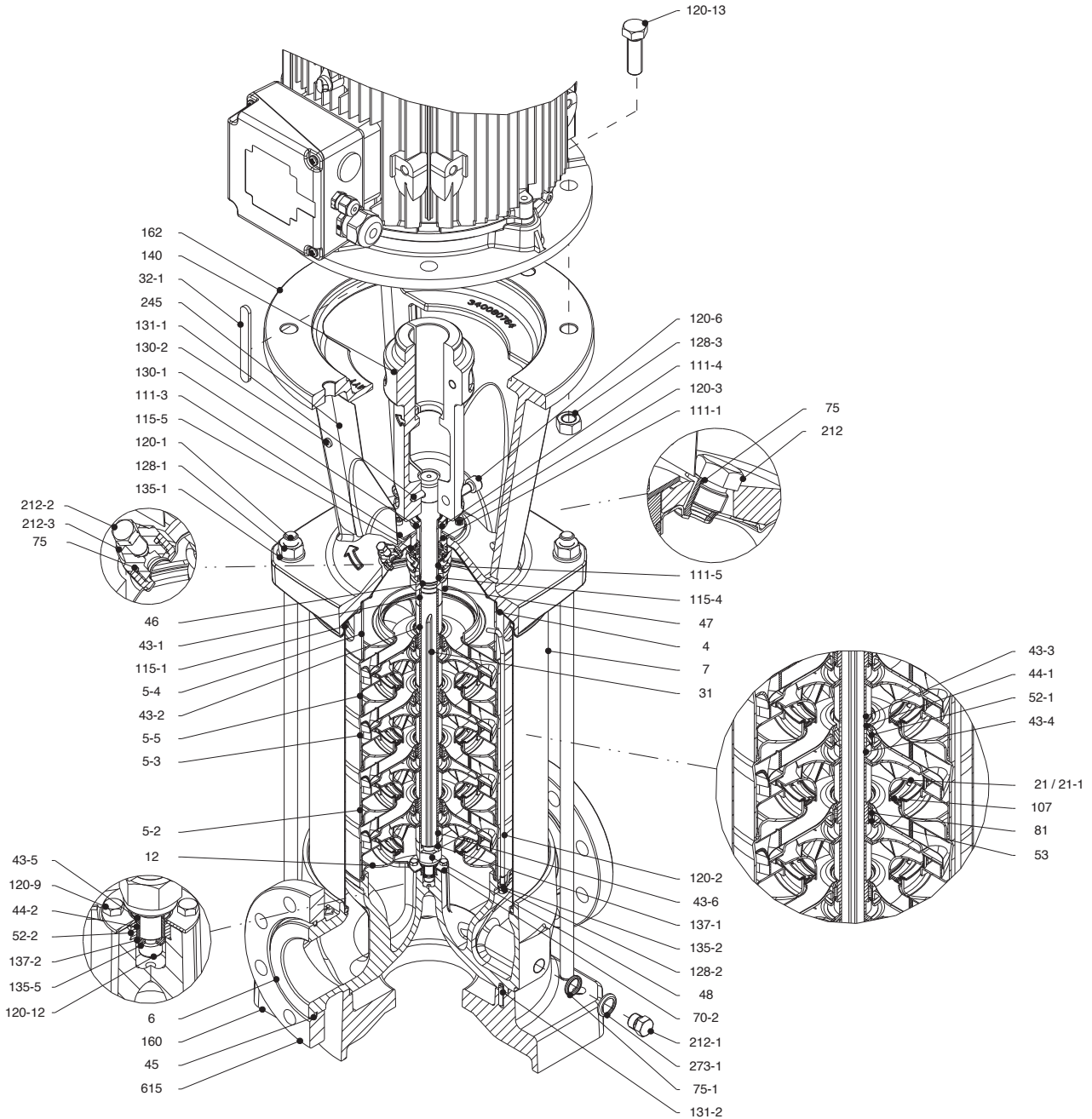
Pump Type	P _{max} [MPa]	Motor					Loose round flange (LF)							Weight Pump	Weight Pump + Motor
		kW	Size	A	B	C	H2	H2+H3	D1	D2	D3	H8			
EVMS(L)64 1-1/7.5	1.6	7.5	132	300	220	152	650	1069	180	220	18	24	77.4	123.4	
EVMS(L)64 1-0/11	1.6	11	160	350	259	180	680	1119	180	220	18	24	84.5	147.0	
EVMS(L)64 2-2/15	1.6	15	160	350	311	240	752	1247	180	220	18	24	78.6	179.6	
EVMS(L)64 2-1/18.5	1.6	18.5	160	350	311	240	752	1247	180	220	18	24	82.7	191.7	
EVMS(L)64 2-0/18.5	1.6	18.5	160	350	311	240	752	1247	180	220	18	24	82.7	191.7	
EVMS(L)64 3-2/22	1.6	22	180	350	354	260	824	1376	180	220	18	24	84.8	219.8	
EVMS(L)64 3-1/30	1.6	30	200	400	354	280	824	1376	180	220	18	24	77.2	245.2	
EVMS(L)64 3-0/30	1.6	30	200	400	354	280	824	1376	180	220	18	24	77.2	245.2	
EVMS(L)64 4-2/37	2.5	37	200	400	382	295	913	1590	190	235	22	30	122.2	382.2	
EVMS(L)64 4-1/37	2.5	37	200	400	382	295	913	1590	190	235	22	30	122.2	382.2	
EVMS(L)64 4-0/37	2.5	37	200	400	382	295	913	1590	190	235	22	30	122.2	382.2	
EVMS(L)64 5-2/45	2.5	45	225	450	449	335	985	1751	190	235	22	30	138.8	512.8	
EVMS(L)64 5-1/45	2.5	45	225	450	449	335	985	1751	190	235	22	30	138.8	512.8	
EVMS(L)64 5-0/45	2.5	45	225	450	449	335	985	1751	190	235	22	30	138.8	512.8	

1.6 MPa=16 bar;

2.5 MPa=25 bar

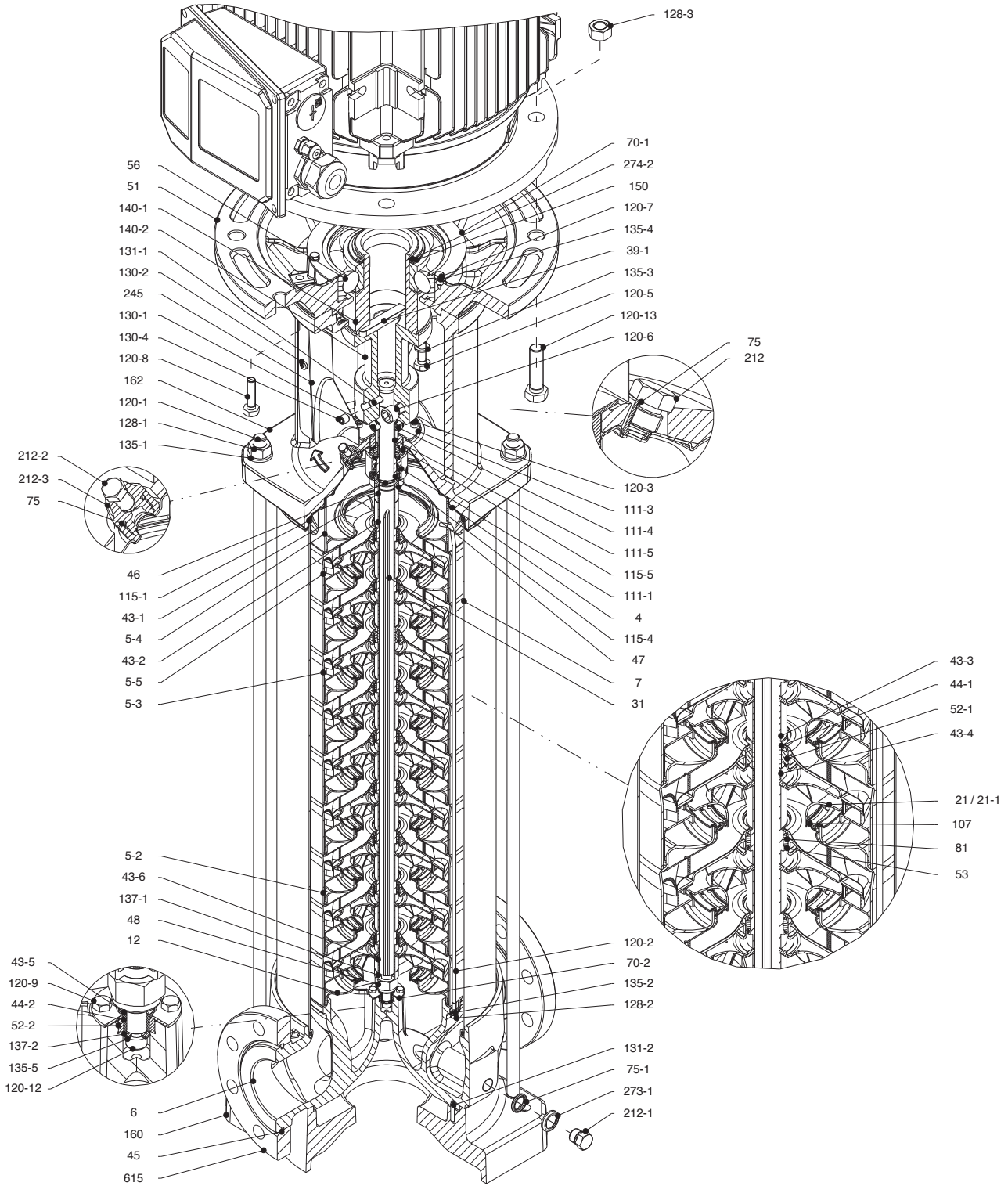
SECTIONAL VIEW
EVMS(L)64

EVMS(L)64



Pump without ball bearing
up to 30 kW

SECTIONAL VIEW EVMS(L)64



Pump with single ball bearing
above 37 kW

SECTIONAL TABLE EVMS(L)64

N°	PART NAME	MATERIAL		DIMENSIONS	STANDARD
		EVMS	EVMSL		
4	Casing cover	EN 1.4301 (AISI 304)	EN 1.4404 (AISI 316L)		
5-2	Intermediate casing	EN 1.4301 (AISI 304)	EN 1.4404 (AISI 316L)		
5-3	Intermediate casing with bearing	EN 1.4301 (AISI 304)	EN 1.4404 (AISI 316L)		
5-4	Discharge casing	EN 1.4301 (AISI 304)	EN 1.4404 (AISI 316L)		
5-5	Top intermediate casing	EN 1.4301 (AISI 304)	EN 1.4404 (AISI 316L)		
6	Bottom casing	EN 1.4308 (ASTM CF8)	EN 1.4408 (ASTM CF8M)		
7	Outer casing	EN 1.4301 (AISI 304)	EN 1.4404 (AISI 316L)		
12	Suction cover	EN 1.4301 (AISI 304)	EN 1.4404 (AISI 316L)		
21	Impeller	EN 1.4301 (AISI 304)	EN 1.4404 (AISI 316L)		
21-1	Reduced impeller	EN 1.4301 (AISI 304)	EN 1.4404 (AISI 316L)		
31	Shaft	EN 1.4301 (AISI 304)	EN 1.4404 (AISI 316L) - EN 1.4462 (AISI 329A)		
32-1	Adjuster key	EN 1.4301 (AISI 304)			
39-1	Coupling key	Carbon Steel			
43-1	Shaft sleeve (mechanical seal)	EN 1.4301 (AISI 304)	EN 1.4404 (AISI 316L)		
43-2	Shaft sleeve (intermediate)	EN 1.4301 (AISI 304)	EN 1.4404 (AISI 316L)		
43-3	Shaft sleeve (bearing)	EN 1.4301 (AISI 304)	EN 1.4404 (AISI 316L)		
43-4	Shaft sleeve (adjustment)	EN 1.4301 (AISI 304)	EN 1.4404 (AISI 316L)		
43-5	Shaft sleeve (last stage)	EN 1.4301 (AISI 304)	EN 1.4404 (AISI 316L)		
43-6	Shaft sleeve (adjustment)	EN 1.4301 (AISI 304)	EN 1.4404 (AISI 316L)		
44-1	Shaft sleeve bearing	Tungsten carbide			
44-2	Shaft sleeve (bearing)	Tungsten carbide			
45	Flange holder	EN 1.4301 (AISI 304)			
46	Ring (mechanical seal)	EN 1.4404 (AISI 316L)			
47	Ring holder	EN 1.4404 (AISI 316L)			
48	Impeller nut	EN 1.4301 (AISI 304) with inox insert	EN 1.4401 (AISI 316) with inox insert		
51	Motor adapter	Cast Iron EN GJL250 EN 1561			
52-1	Sleeve bearing	Tungsten carbide			
52-2	Bearing sleeve (bottom casing)	Tungsten carbide			
53	Bush holder	EN 1.4301 (AISI 304)	EN 1.4404 (AISI 316L)		
56	Ball bearing	above 37 kW see table page 127			
70-1	Ring for ball bearing	above 37 kW EN 1.4301 (AISI 304)			
70-2	Ring for bearing sleeve	EN 1.4301 (AISI 304)	EN 1.4404 (AISI 316L)		
75	O-Ring (priming plug)	EPDM / FPM		Ø12.37x2.62	OR 3050
75-1	O-Ring (drainage plug)	EPDM / FPM			
81	Bush	PTFE			
107	Liner ring	EN 1.4301 (AISI 304) + PPS	EN 1.4404 (AISI 316L) + PPS		
111-1	Mechanical seal	See pages 6-7			
111-3	Mechanical seal seat	EN 1.4301 (AISI 304)	EN 1.4401 (AISI 316)		
111-4	Seal holder	EN 1.4404 (AISI 316L)			
111-5	Mechanical seal cartridge sleeve	EN 1.4301 (AISI 304)	EN 1.4404 (AISI 316L)		
115-1	O-Ring (outer casing)	EPDM / FPM		Ø240.66x5.34	OR 6945
115-4	O-Ring (cartridge sleeve)	EPDM / FPM		Ø23.39x3.53	OR 4093
115-5	O-Ring (seal flange)	EPDM / FPM		Ø44.04x3.53	OR 4175
120-1	Tie rod	EN 1.4057 (AISI 431)			
120-2	Tie rod (stage)	EN 1.4301 (AISI 304)	EN 1.4401 (AISI 316)		
120-3	Screw (seal flange)	A2-70		M5x12	ISO 4762
120-5	Screw (extension coupling)	above 37 kW Galvanized steel 8.8 strength class ISO 898/1		M10x30	ISO 4017

SECTIONAL TABLE EVMS(L)64

N°	PART NAME	MATERIAL		DIMENSIONS	STANDARD
		EVMS	EVMSL		
120-6	Screw (pump coupling)	up to 7.5 kW	Galvanized steel 8.8 strength class ISO 898/1	M8x25	ISO 4762
		from 11 kW to 30 kW	Galvanized steel 8.8 strength class ISO 898/1	M10x30	ISO 4762
		above 37 kW	Galvanized steel 8.8 strength class ISO 898/1	M12x30	ISO 4762
120-7	Screw (ball bearing)	above 37 kW	Galvanized steel 8.8 strength class ISO 898/1	M6x10	ISO 4017
120-8	Screw (motor adapter)	above 37 kW	Galvanized steel 8.8 strength class ISO 898/1	M10x40	ISO 4017
120-9	Screw (bottom casing)		A2-70	M5x8	ISO 4017
120-12	Screw (shaft)		A2-70	M6x16	ISO 4762
120-13	Screw for motor	MEC 132	Galvanized steel 8.8 strength class ISO 898/1	M12x45	ISO 4017
		MEC 160-180	Galvanized steel 8.8 strength class ISO 898/1	M16x50	ISO 4017
		MEC 200-225	Galvanized steel 8.8 strength class ISO 898/1	M16x60	ISO 4014
128-1	Nut (tie rod)		A2-70	M16	ISO 4032
128-2	Nut (casing tie rod)		A2-70 UNI 7323	M5	ISO 4032
128-3	Nut (motor)	MEC 132	Galvanized steel	M12	ISO 4032
		MEC 160-180-200-225	Galvanized steel	M16	ISO 4032
130-1	Set screw		EN 1.4301 (AISI 304)	M6x8	ISO 4026
130-2	Screw for coupling guard		A2-70	M5x6	UNI 7687
130-4	Set screw (pump coupling)	above 37 kW	Galvanized steel	M10x10	ISO 4026
131-1	Pin for shaft		Carbon Steel	Ø8x50	ISO 2338
131-2	Elastic pin		EN 1.4301 (AISI 304)	Ø6x26	ISO 8752
135-1	Washer (tie rod)		EN 1.4301 (AISI 304)	Ø16	ISO 7089
135-2	Washer (casing tie rod)		EN 1.4301 (AISI 304) EN 1.4404 (AISI 316)	Ø5.1	UNI 1751
135-3	Washer (extension coupling)	above 37 kW	Galvanized steel	Ø10.2	UNI 1751
135-4	Washer (ball bearing)	above 37 kW	Plated carbon steel	Ø6.1	UNI 1751
135-5	Washer (impeller nut)		EN 1.4301 (AISI 304) EN 1.4404 (AISI 316L)		
137-1	Impeller spacer		EN 1.4301 (AISI 304) EN 1.4404 (AISI 316L)		
137-2	Shaft spacer		EN 1.4301 (AISI 304) EN 1.4404 (AISI 316L)		
140	Coupling	up to 30 kW	Cast Iron EN GJL250 EN 1561		
140-1	Extension coupling	above 37 kW	Carbon Steel		
140-2	Coupling	above 37 kW	Carbon Steel		
150	Spacer (snap ring)	above 37 kW	Carbon Steel		
160	Base		Cast Iron EN GJL200 EN 1561		
162	Motor bracket	up to 30 kW	Cast Iron EN GJS 400-15 EN 1563		
212	Priming plug		EN 1.4301 (AISI 304) EN 1.4404 (AISI 316L)		
212-1	Drainage plug		EN 1.4301 (AISI 304) EN 1.4404 (AISI 316L)		
212-2	Venting plug		EN 1.4401 (AISI 316)		
212-3	Priming plug		EN 1.4301 (AISI 304) EN 1.4404 (AISI 316L)		
245	Coupling guard		EN 1.4301 (AISI 304)		
273-1	Washer (drainage plug)		EN 1.4301 (AISI 304) EN 1.4404 (AISI 316L)		
274-2	C-type snap ring (coupling)	above 37 kW	Carbon Steel TC80	Ø75	UNI 7435
615	Loose flange		Cast Iron EN GJS 500-7 EN 1563		

QUANTITY FOR MODEL EVMS(L)64

Pump Type	N°																											
	4	5-2	5-3	5-4	5-5	6	7	12	21	21-1	31	32-1	39-1	43-1	43-2	43-3	43-4	43-5	43-6	44-1	44-2	45	46	47	48	51	52-1	52-2
EVMS(L)64 1-1/7,5	1	/	/	1	1	1	1	1	/	1	1	/	1	1	/	/	1	1	/	1	4	1	1	1	/	/	1	
EVMS(L)64 1-0/11	1	/	/	1	1	1	1	1	1	/	1	1	/	1	1	/	/	1	1	/	1	4	1	1	1	/	/	1
EVMS(L)64 2-2/15	1	1	1	1	1	1	1	1	/	2	1	1	/	1	1	1	1	1	1	1	1	4	1	1	1	/	1	1
EVMS(L)64 2-1/18,5	1	1	1	1	1	1	1	1	1	1	1	1	/	1	1	1	1	1	1	1	1	4	1	1	1	/	1	1
EVMS(L)64 2-0/18,5	1	1	1	1	1	1	1	1	2	/	1	1	/	1	1	1	1	1	1	1	1	4	1	1	1	/	1	1
EVMS(L)64 3-2/22	1	2	1	1	1	1	1	1	1	2	1	1	/	1	2	1	1	1	1	1	1	4	1	1	1	/	1	1
EVMS(L)64 3-1/30	1	1	1	1	1	1	1	1	2	1	1	1	/	1	2	1	1	1	1	1	1	4	1	1	1	/	1	1
EVMS(L)64 3-0/30	1	1	1	1	1	1	1	1	3	/	1	1	/	1	2	1	1	1	1	1	1	4	1	1	1	/	1	1
EVMS(L)64 4-2/37	1	4	1	1	1	1	1	1	2	2	1	1	/	1	5	1	1	1	1	1	1	4	1	1	1	1	1	1
EVMS(L)64 4-1/37	1	4	1	1	1	1	1	1	3	1	1	/	1	5	1	1	1	1	1	1	1	4	1	1	1	1	1	1
EVMS(L)64 4-0/37	1	4	1	1	1	1	1	1	4	/	1	/	1	5	1	1	1	1	1	1	1	4	1	1	1	1	1	1
EVMS(L)64 5-2/45	1	5	1	1	1	1	1	1	3	2	1	/	1	6	1	1	1	1	1	1	1	4	1	1	1	1	1	1
EVMS(L)64 5-1/45	1	5	1	1	1	1	1	1	4	1	1	/	1	6	1	1	1	1	1	1	1	4	1	1	1	1	1	1
EVMS(L)64 5-0/45	1	5	1	1	1	1	1	1	5	0	1	/	1	6	1	1	1	1	1	1	1	4	1	1	1	1	1	1

□ shaft in EN 1.4462 (AISI 329A)

Pump Type	N°																											
	53	56	70-1	70-2	75	75-1	81	107	111-1	111-3	111-4	111-5	115-1	115-4	115-5	120-1	120-2	120-3	120-5	120-6	120-7	120-8	120-9	120-12	120-13	128-1	128-2	128-3
EVMS(L)64 1-1/7,5	1	/	/	1	2	4	1	1	1	1	1	1	2	1	1	4	2	4	/	4	/	/	4	1	4	4	4	4
EVMS(L)64 1-0/11	1	/	/	1	2	4	1	1	1	1	1	1	2	1	1	4	2	4	/	4	/	/	4	1	4	4	4	4
EVMS(L)64 2-2/15	1	/	/	1	2	4	1	2	1	1	1	1	2	1	1	4	2	4	/	4	/	/	4	1	4	4	4	4
EVMS(L)64 2-1/18,5	1	/	/	1	2	4	1	2	1	1	1	1	2	1	1	4	2	4	/	4	/	/	4	1	4	4	4	4
EVMS(L)64 2-0/18,5	1	/	/	1	2	4	1	2	1	1	1	1	2	1	1	4	2	4	/	4	/	/	4	1	4	4	4	4
EVMS(L)64 3-2/22	2	/	/	1	2	4	2	3	1	1	1	1	2	1	1	4	2	4	/	4	/	/	4	1	4	4	4	4
EVMS(L)64 3-1/30	3	/	/	1	2	4	2	3	1	1	1	1	2	1	1	4	2	4	/	4	/	/	4	1	4	4	4	4
EVMS(L)64 3-0/30	3	/	/	1	2	4	2	3	1	1	1	1	2	1	1	4	2	4	/	4	/	/	4	1	4	4	4	4
EVMS(L)64 4-2/37	6	1	1	1	2	4	5	4	1	1	1	1	2	1	1	4	2	4	4	2	3	4	4	1	4	4	4	4
EVMS(L)64 4-1/37	6	1	1	1	2	4	5	4	1	1	1	1	2	1	1	4	2	4	4	2	3	4	4	1	4	4	4	4
EVMS(L)64 4-0/37	6	1	1	1	2	4	5	4	1	1	1	1	2	1	1	4	2	4	4	2	3	4	4	1	4	4	4	4
EVMS(L)64 5-2/45	7	1	1	1	2	4	6	5	1	1	1	1	2	1	1	4	2	4	4	2	3	4	4	1	8	4	4	8
EVMS(L)64 5-1/45	7	1	1	1	2	4	6	5	1	1	1	1	2	1	1	4	2	4	4	2	3	4	4	1	8	4	4	8
EVMS(L)64 5-0/45	7	1	1	1	2	4	6	5	1	1	1	1	2	1	1	4	2	4	4	2	3	4	4	1	8	4	4	8

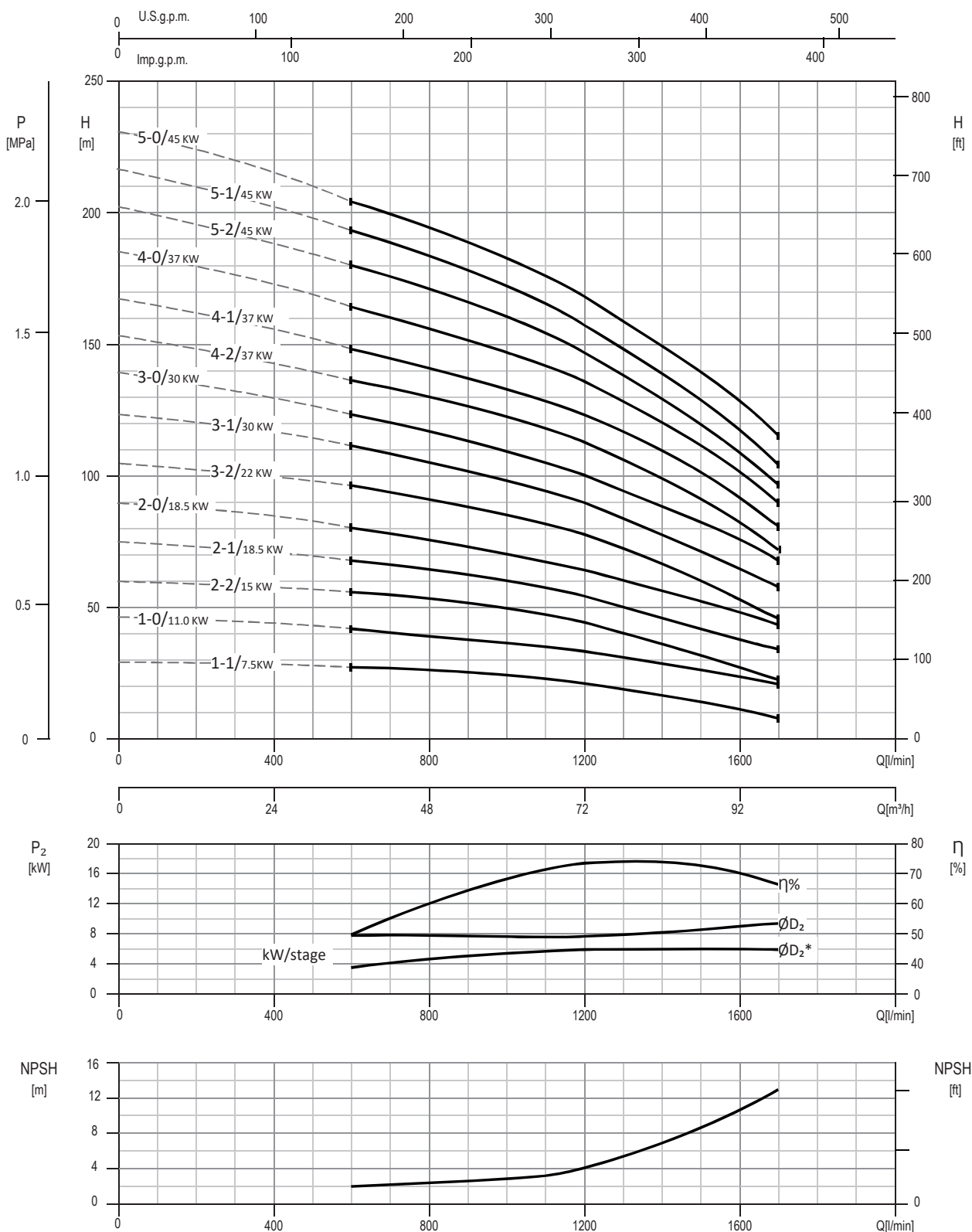
Pump Type	N°																									
	130-1	130-2	130-4	131-1	131-2	135-1	135-2	135-3	135-4	135-5	137-1	137-2	140	140-1	140-2	150	160	162	212	212-1	212-2	212-3	245	273-1	274-2	615
EVMS(L)64 1-1/7,5	3	4	/	1	1	4	2	/	/	1	1	1	2	/	/	/	1	1	1	4	1	1	2	4	/	2
EVMS(L)64 1-0/11	3	4	/	1	1	4	2	/	/	1	1	1	2	/	/	/	1	1	1	4	1	1	2	4	/	2
EVMS(L)64 2-2/15	3	4	/	1	1	4	2	/	/	1	1	1	2	/	/	/	1	1	1	4	1	1	2	4	/	2
EVMS(L)64 2-1/18,5	3	4	/	1	1	4	2	/	/	1	1	1	2	/	/	/	1	1	1	4	1	1	2	4	/	2
EVMS(L)64 2-0/18,5	3	4	/	1	1	4	2	/	/	1	1	1	2	/	/	/	1	1	1	4	1	1	2	4	/	2
EVMS(L)64 3-2/22	3	4	/	1	1	4	2	/	/	1	1	1	2	/	/	/	1	1	1	4	1	1	2	4	/	2
EVMS(L)64 3-1/30	3	4	/	1	1	4	2	/	/	1	1	1	2	/	/	/	1	1	1	4	1	1	2	4	/	2
EVMS(L)64 3-0/30	3	4	/	1	1	4	2	/	/	1	1	1	2	/	/	/	1	1	1	4	1	1	2	4	/	2
EVMS(L)64 4-2/37	3	4	1	1	1	4	2	4	3	1	1	1	/	1	1	1	1	1	4	1	1	2	4	1	2	
EVMS(L)64 4-1/37	3	4	1	1	1	4	2	4	3	1	1	1	/	1	1	1	1	1	4	1	1	2	4	1	2	
EVMS(L)64 4-0/37	3	4	1	1	1	4	2	4	3	1	1	1	/	1	1	1	1	1	4	1	1	2	4	1	2	
EVMS(L)64 5-2/45	3	4	1	1	1	4	2	4	3	1	1	1	/	1	1	1	1	1	4	1	1	2	4	1	2	
EVMS(L)64 5-1/45	3	4	1	1	1	4	2	4	3	1	1	1	/	1	1	1	1	1	4	1	1	2	4	1	2	
EVMS(L)64 5-0/45	3	4	1	1	1	4	2	4	3	1	1	1	/	1	1	1	1	1	4	1	1	2	4	1	2	

BEARINGS EVMS(L)64

Pump Type	N° 56
EVMS(L)64 1-1/7,5	/
EVMS(L)64 1-0/11	/
EVMS(L)64 2-2/15	/
EVMS(L)64 2-1/18,5	/
EVMS(L)64 2-0/18,5	/
EVMS(L)64 3-2/22	/
EVMS(L)64 3-1/30	/
EVMS(L)64 3-0/30	/
EVMS(L)64 4-2/37	6315 ZZ C3
EVMS(L)64 4-1/37	6315 ZZ C3
EVMS(L)64 4-0/37	6315 ZZ C3
EVMS(L)64 5-2/45	6315 ZZ C3
EVMS(L)64 5-1/45	6315 ZZ C3
EVMS(L)64 5-0/45	6315 ZZ C3

PERFORMANCE CURVE
EVMSG64

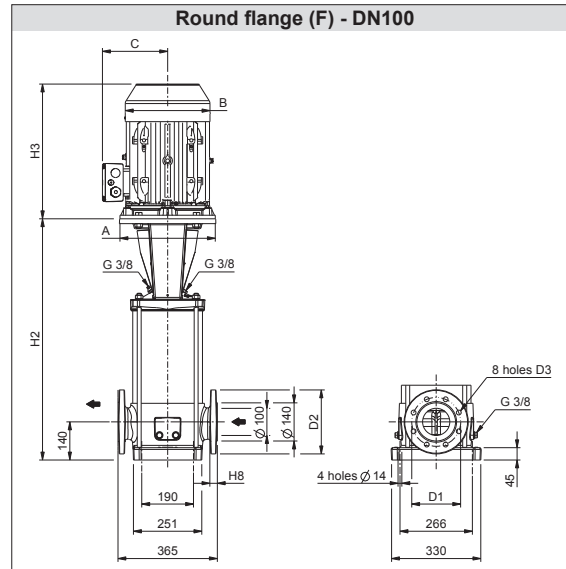
EVMSG64



Test standard: ISO 9906:2012 - Grade 3B

TECHNICAL DATA EVMSG64

Dimensional sketch



Dimensions [mm] and Weights [Kg]

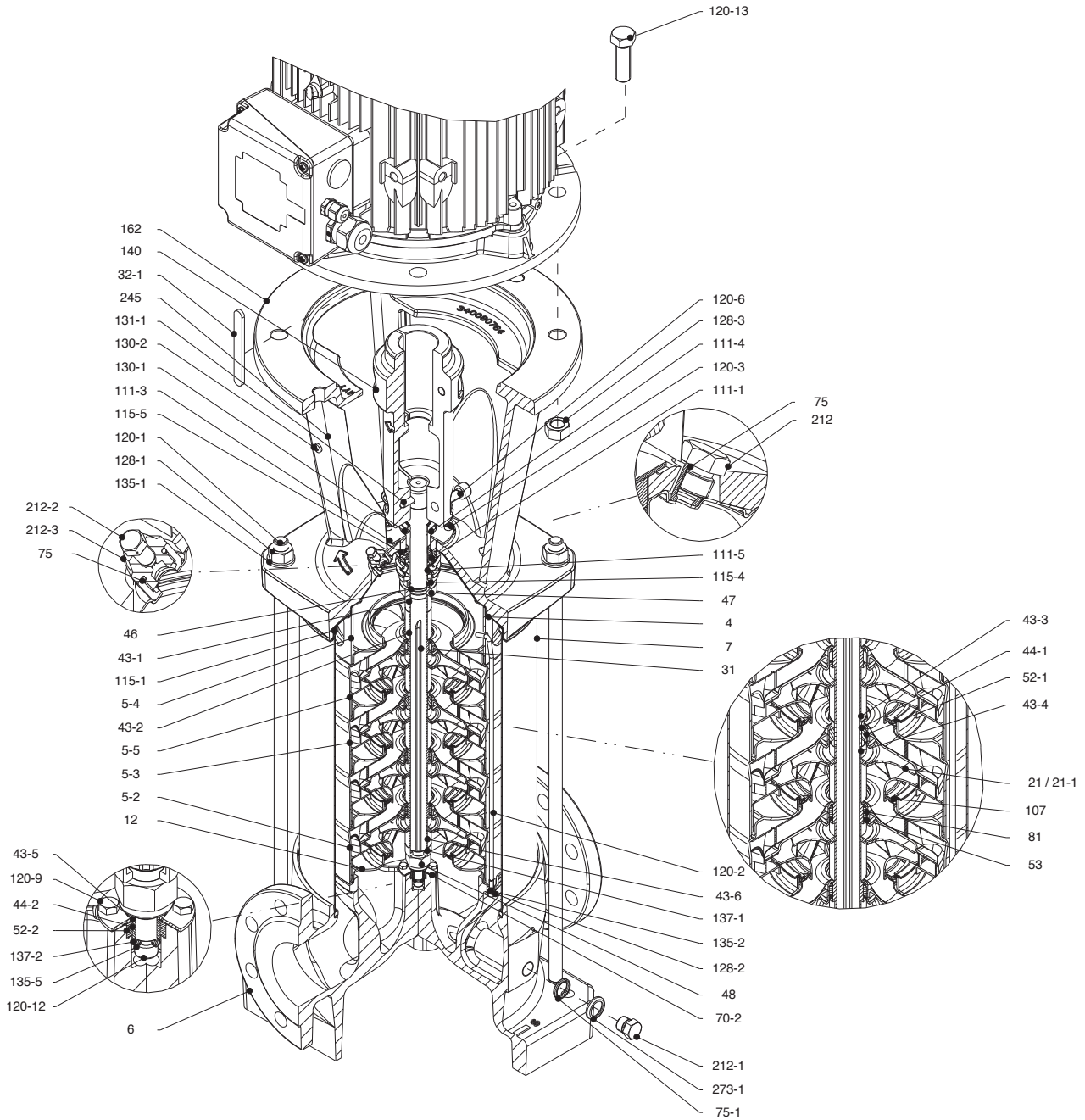
Pump Type	Pmax [MPa]	Motor					Round flange (F)							Weight Pump	Weight Pump + Motor
		kW	Size	A	B	C	H2	H2+H3	D1	D2	D3	H8			
EVMSG64 1-1/7,5	1,6	7,5	132	300	220	152	650	1069	180	235	18	24	74,7	120,7	
EVMSG64 1-0/11	1,6	11	160	350	259	180	680	1119	180	235	18	24	81,8	144,3	
EVMSG64 2-2/15	1,6	15	160	350	311	240	752	1247	180	235	18	24	76,0	177,0	
EVMSG64 2-1/18,5	1,6	18,5	160	350	311	240	752	1247	180	235	18	24	80,2	189,2	
EVMSG64 2-0/18,5	1,6	18,5	160	350	311	240	752	1247	180	235	18	24	80,2	189,2	
EVMSG64 3-2/22	1,6	22	180	350	354	260	824	1376	180	235	18	24	82,4	217,4	
EVMSG64 3-1/30	1,6	30	200	400	354	280	824	1376	180	235	18	24	74,8	242,8	
EVMSG64 3-0/30	1,6	30	200	400	354	280	824	1376	180	235	18	24	74,8	242,8	
EVMSG64 4-2/37	2,5	37	200	400	382	295	913	1590	190	254	22	31	121,5	381,5	
EVMSG64 4-1/37	2,5	37	200	400	382	295	913	1590	190	254	22	31	121,5	381,5	
EVMSG64 4-0/37	2,5	37	200	400	382	295	913	1590	190	254	22	31	121,5	381,5	
EVMSG64 5-2/45	2,5	45	225	450	449	335	985	1751	190	254	22	31	138,3	512,3	
EVMSG64 5-1/45	2,5	45	225	450	449	335	985	1751	190	254	22	31	138,3	512,3	
EVMSG64 5-0/45	2,5	45	225	450	449	335	985	1751	190	254	22	31	138,3	512,3	

1,6 MPa=16 bar;

2,5 MPa=25 bar

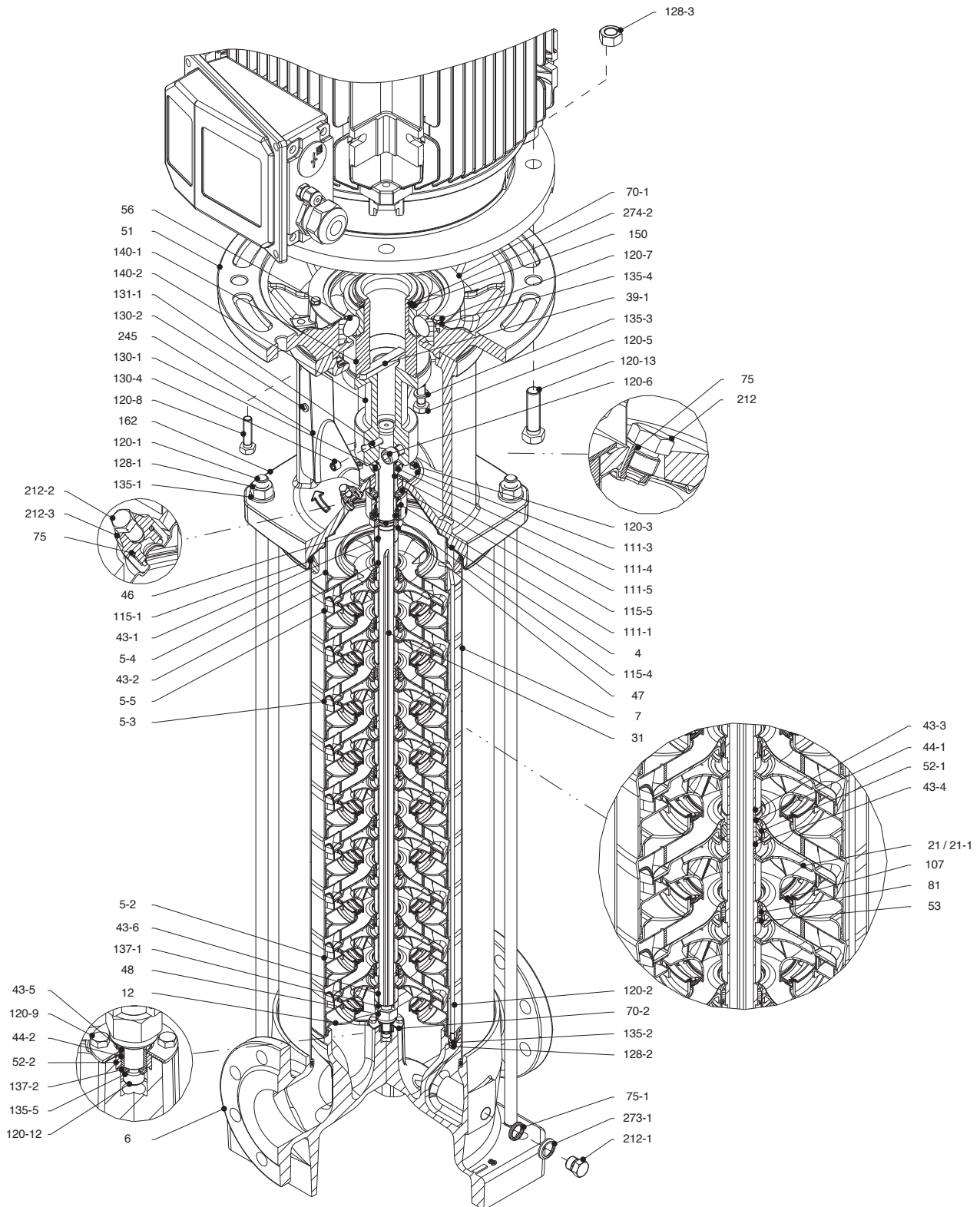
SECTIONAL VIEW
EVMSG64

EVMSG64



Pump without ball bearing
up to 30 kW

SECTIONAL VIEW EVMSG64



Pump with single ball bearing
above 37 kW

SECTIONAL TABLE
EVMSG64

N°	PART NAME	MATERIAL EVMSG	DIMENSIONS	STANDARD
4	Casing cover	EN 1.4301 (AISI 304)		
5-2	Intermediate casing	EN 1.4301 (AISI 304)		
5-3	Intermediate casing with bearing	EN 1.4301 (AISI 304)		
5-4	Discharge casing	EN 1.4301 (AISI 304)		
5-5	Top intermediate casing	EN 1.4301 (AISI 304)		
6	Bottom casing	Cast Iron EN GJL-250 EN 1561 Cast Iron EN GJS 400-15 EN 1563		
7	Outer casing	EN 1.4301 (AISI 304)		
12	Suction cover	EN 1.4301 (AISI 304)		
21	Impeller	EN 1.4301 (AISI 304)		
21-1	Reduced impeller	EN 1.4301 (AISI 304)		
31	Shaft	EN 1.4301 (AISI 304)		
32-1	Adjuster key	EN 1.4301 (AISI 304)		
39-1	Coupling key	Carbon Steel		
	above 37 kW			
43-1	Shaft sleeve (mechanical seal)	EN 1.4301 (AISI 304)		
43-2	Shaft sleeve (intermediate)	EN 1.4301 (AISI 304)		
43-3	Shaft sleeve (bearing)	EN 1.4301 (AISI 304)		
43-4	Shaft sleeve (adjustment)	EN 1.4301 (AISI 304)		
43-5	Shaft sleeve (last stage)	EN 1.4301 (AISI 304)		
43-6	Shaft sleeve (adjustment)	EN 1.4301 (AISI 304)		
44-1	Shaft sleeve bearing	Tungsten carbide		
44-2	Shaft sleeve (bearing)	Tungsten carbide		
46	Ring (mechanical seal)	EN 1.4404 (AISI 316L)		
47	Ring holder	EN 1.4301 (AISI 304)		
48	Impeller nut	EN 1.4301 (AISI 304) with inox insert		
51	Motor adapter	Cast Iron EN GJL250 EN 1561		
	above 37 kW			
52-1	Sleeve bearing	Tungsten carbide		
52-2	Bearing sleeve (bottom casing)	Tungsten carbide		
53	Bush holder	EN 1.4301 (AISI 304)		
56	Ball bearing	see table page 135		
	above 37 kW			
70-1	Ring for ball bearing	EN 1.4301 (AISI 304)		
	above 37 kW			
70-2	Ring for bearing sleeve	EN 1.4301 (AISI 304)		
75	O-Ring (priming plug)	EPDM / FPM	Ø12.37x2.62	OR 3050
75-1	O-Ring (drainage plug)	EPDM / FPM		
81	Bush	PTFE		
107	Liner ring	EN 1.4301 (AISI 304) + PPS		
111-1	Mechanical seal	See pages 6-7		
111-3	Mechanical seal seat	EN 1.4301 (AISI 304)		
111-4	Seal holder	EN 1.4404 (AISI 316L)		
111-5	Mechanical seal cartridge sleeve	EN 1.4301 (AISI 304)		
115-1	O-Ring (outer casing)	EPDM / FPM	Ø240.66x5.34	OR 6945
115-4	O-Ring (cartridge sleeve)	EPDM / FPM	Ø23.39x3.53	OR 4093
115-5	O-Ring (seal flange)	EPDM / FPM	Ø44.04x3.53	OR 4175
120-1	Tie rod	EN 1.4057 (AISI 431)		
120-2	Tie rod (stage)	EN 1.4301 (AISI 304)		
120-3	Screw (seal flange)	A2-70	M5x12	ISO 4762
120-5	Screw (extension coupling)	Galvanized steel 8.8 strength class ISO 898/1	M10x30	ISO 4017
	above 37 kW			

SECTIONAL TABLE EVMSG64

N°	PART NAME	MATERIAL EVMSG	DIMENSIONS	STANDARD	
120-6	Screw (pump coupling)	up to 7.5 kW	Galvanized steel 8.8 strength class ISO 898/1	M8x25	ISO 4762
		from 11 kW to 30 kW	Galvanized steel 8.8 strength class ISO 898/1	M10x30	ISO 4762
		above 37 kW	Galvanized steel 8.8 strength class ISO 898/1	M12x30	ISO 4762
120-7	Screw (ball bearing)	above 37 kW	Galvanized steel 8.8 strength class ISO 898/1	M6x10	ISO 4017
120-8	Screw (motor adapter)	above 37 kW	Galvanized steel 8.8 strength class ISO 898/1	M10x40	ISO 4017
120-9	Screw (bottom casing)		A2-70	M5x8	ISO 4017
120-12	Screw (shaft)		A2-70	M6x16	ISO 4762
120-13	Screw for motor	MEC 132	Galvanized steel 8.8 strength class ISO 898/1	M12x45	ISO 4017
		MEC 160-180	Galvanized steel 8.8 strength class ISO 898/1	M16x50	ISO 4017
		MEC 200-225	Galvanized steel 8.8 strength class ISO 898/1	M16x60	ISO 4014
128-1	Nut (tie rod)		A2-70	M16	ISO 4032
128-2	Nut (casing tie rod)		A2-70	M5	ISO 4032
128-3	Nut (motor)	MEC 132	Galvanized steel	M12	ISO 4032
		MEC 160-180-200-225	Galvanized steel	M16	ISO 4032
130-1	Set screw		EN 1.4301 (AISI 304)	M6x8	ISO 4026
130-2	Screw for coupling guard		A2-70	M5x6	UNI 7687
130-4	Set screw (pump coupling)	above 37 kW	Galvanized steel	M10x10	ISO 4026
131-1	Pin for shaft		Carbon Steel	Ø8X50	ISO 2338
135-1	Washer (tie rod)		EN 1.4301 (AISI 304)	Ø16	ISO 7089
135-2	Washer (casing tie rod)		EN 1.4301 (AISI 304)	Ø5.1	UNI 1751
135-3	Washer (extension coupling)	above 37 kW	Galvanized steel	Ø10.2	UNI 1751
135-4	Washer (ball bearing)	above 37 kW	Plated carbon steel	Ø6.1	UNI 1751
135-5	Washer (impeller nut)		EN 1.4301 (AISI 304)		
137-1	Impeller spacer		EN 1.4301 (AISI 304)		
137-2	Shaft spacer		EN 1.4301 (AISI 304)		
140	Coupling	up to 30 kW	Cast Iron EN GJL250 EN 1561		
140-1	Extension coupling	above 37 kW	Carbon Steel		
140-2	Coupling	above 37 kW	Carbon Steel		
150	Spacer (snap ring)	above 37 kW	Carbon Steel		
162	Motor bracket	up to 30 kW	Cast Iron EN GJS 400-15 EN 1563		
212	Priming plug		EN 1.4301 (AISI 304)		
212-1	Drainage plug		EN 1.4301 (AISI 304)		
212-2	Venting plug		EN 1.4401 (AISI 316)		
212-3	Priming plug		EN 1.4301 (AISI 304)		
245	Coupling guard		EN 1.4301 (AISI 304)		
273-1	Washer (drainage plug)		EN 1.4301 (AISI 304)		
274-2	C-type snap ring (coupling)	above 37 kW	Carbon Steel TC80	Ø75	UNI 7435

QUANTITY FOR MODEL
EVMSG64

Pump Type	N°																												
	4	5-2	5-3	5-4	5-5	6	7	12	21	21-1	31	32-1	39-1	43-1	43-2	43-3	43-4	43-5	43-6	44-1	44-2	46	47	48	51	52-1	52-2	53	
EVMSG64 1-1/7,5	1	/	/	1	1	1	1	1	/	1	1	/	1	1	/	/	1	1	/	1	1	1	1	/	/	1	1		
EVMSG64 1-0/11	1	/	/	1	1	1	1	1	1	/	1	1	/	1	1	/	/	1	1	/	1	1	1	1	1	/	/	1	1
EVMSG64 2-2/15	1	1	/	1	1	1	1	1	/	2	1	1	/	1	1	1	1	1	1	1	1	1	1	1	1	/	1	1	1
EVMSG64 2-1/18,5	1	1	/	1	1	1	1	1	1	1	1	1	/	1	1	1	1	1	1	1	1	1	1	1	1	/	1	1	1
EVMSG64 2-0/18,5	1	1	/	1	1	1	1	1	2	/	1	1	/	1	1	1	1	1	1	1	1	1	1	1	1	/	1	1	1
EVMSG64 3-2/22	1	2	/	1	1	1	1	1	1	2	1	1	/	1	2	1	1	1	1	1	1	1	1	1	1	/	1	1	2
EVMSG64 3-1/30	1	1	1	1	1	1	1	1	2	1	1	1	/	1	2	1	1	1	1	1	1	1	1	1	1	/	1	1	3
EVMSG64 3-0/30	1	1	1	1	1	1	1	1	3	/	1	1	/	1	2	1	1	1	1	1	1	1	1	1	1	/	1	1	3
EVMSG64 4-2/37	1	4	1	1	1	1	1	1	2	2	1	/	1	1	5	1	1	1	1	1	1	1	1	1	1	1	1	1	6
EVMSG64 4-1/37	1	4	1	1	1	1	1	1	3	1	1	/	1	1	5	1	1	1	1	1	1	1	1	1	1	1	1	1	6
EVMSG64 4-0/37	1	4	1	1	1	1	1	1	4	/	1	/	1	1	5	1	1	1	1	1	1	1	1	1	1	1	1	1	6
EVMSG64 5-2/45	1	5	1	1	1	1	1	1	3	2	1	/	1	1	6	1	1	1	1	1	1	1	1	1	1	1	1	1	7
EVMSG64 5-1/45	1	5	1	1	1	1	1	1	4	1	1	/	1	1	6	1	1	1	1	1	1	1	1	1	1	1	1	1	7
EVMSG64 5-0/45	1	5	1	1	1	1	1	1	5	0	1	/	1	1	6	1	1	1	1	1	1	1	1	1	1	1	1	1	7

shaft in EN 1.4462 (AISI 329A)

Pump Type	N°																											
	56	70-1	70-2	75	75-1	81	107	111-1	111-3	111-4	111-5	115-1	115-4	115-5	120-1	120-2	120-3	120-5	120-6	120-7	120-8	120-9	120-12	120-13	128-1	128-2	128-3	130-1
EVMSG64 1-1/7,5	/	/	1	2	4	1	1	1	1	1	2	1	1	4	2	4	/	4	/	/	4	1	4	4	4	4	4	3
EVMSG64 1-0/11	/	/	1	2	4	1	1	1	1	1	2	1	1	4	2	4	/	4	/	/	4	1	4	4	4	4	4	3
EVMSG64 2-2/15	/	/	1	2	4	1	2	1	1	1	2	1	1	4	2	4	/	4	/	/	4	1	4	4	4	4	4	3
EVMSG64 2-1/18,5	/	/	1	2	4	1	2	1	1	1	2	1	1	4	2	4	/	4	/	/	4	1	4	4	4	4	4	3
EVMSG64 2-0/18,5	/	/	1	2	4	1	2	1	1	1	2	1	1	4	2	4	/	4	/	/	4	1	4	4	4	4	4	3
EVMSG64 3-2/22	/	/	1	2	4	2	3	1	1	1	2	1	1	4	2	4	/	4	/	/	4	1	4	4	4	4	4	3
EVMSG64 3-1/30	/	/	1	2	4	2	3	1	1	1	2	1	1	4	2	4	/	4	/	/	4	1	4	4	4	4	4	3
EVMSG64 3-0/30	/	/	1	2	4	2	3	1	1	1	2	1	1	4	2	4	/	4	/	/	4	1	4	4	4	4	4	3
EVMSG64 4-2/37	1	1	1	2	4	5	4	1	1	1	2	1	1	4	2	4	4	2	3	4	4	1	4	4	4	4	4	3
EVMSG64 4-1/37	1	1	1	2	4	5	4	1	1	1	2	1	1	4	2	4	4	2	3	4	4	1	4	4	4	4	4	3
EVMSG64 4-0/37	1	1	1	2	4	5	4	1	1	1	2	1	1	4	2	4	4	2	3	4	4	1	4	4	4	4	4	3
EVMSG64 5-2/45	1	1	1	2	4	6	5	1	1	1	2	1	1	4	2	4	4	2	3	4	4	1	8	4	4	8	3	3
EVMSG64 5-1/45	1	1	1	2	4	6	5	1	1	1	2	1	1	4	2	4	4	2	3	4	4	1	8	4	4	8	3	3
EVMSG64 5-0/45	1	1	1	2	4	6	5	1	1	1	2	1	1	4	2	4	4	2	3	4	4	1	8	4	4	8	3	3

Pump Type	N°																											
	130-2	130-4	131-1	135-1	135-2	135-3	135-4	135-5	137-1	137-2	140	140-1	140-2	150	162	212	212-1	212-2	212-3	245	273-1	274-2						
EVMSG64 1-1/7,5	4	/	1	4	2	/	/	1	1	1	2	/	/	/	1	1	4	1	1	2	4	/						
EVMSG64 1-0/11	4	/	1	4	2	/	/	1	1	1	2	/	/	/	1	1	4	1	1	2	4	/						
EVMSG64 2-2/15	4	/	1	4	2	/	/	1	1	1	2	/	/	/	1	1	4	1	1	2	4	/						
EVMSG64 2-1/18,5	4	/	1	4	2	/	/	1	1	1	2	/	/	/	1	1	4	1	1	2	4	/						
EVMSG64 2-0/18,5	4	/	1	4	2	/	/	1	1	1	2	/	/	/	1	1	4	1	1	2	4	/						
EVMSG64 3-2/22	4	/	1	4	2	/	/	1	1	1	2	/	/	/	1	1	4	1	1	2	4	/						
EVMSG64 3-1/30	4	/	1	4	2	/	/	1	1	1	2	/	/	/	1	1	4	1	1	2	4	/						
EVMSG64 3-0/30	4	/	1	4	2	/	/	1	1	1	2	/	/	/	1	1	4	1	1	2	4	/						
EVMSG64 4-2/37	4	1	1	4	2	4	3	1	1	1	/	1	1	1	1	4	1	1	2	4	1							
EVMSG64 4-1/37	4	1	1	4	2	4	3	1	1	1	/	1	1	1	1	4	1	1	2	4	1							
EVMSG64 4-0/37	4	1	1	4	2	4	3	1	1	1	/	1	1	1	1	4	1	1	2	4	1							
EVMSG64 5-2/45	4	1	1	4	2	4	3	1	1	1	/	1	1	1	1	4	1	1	2	4	1							
EVMSG64 5-1/45	4	1	1	4	2	4	3	1	1	1	/	1	1	1	1	4	1	1	2	4	1							
EVMSG64 5-0/45	4	1	1	4	2	4	3	1	1	1	/	1	1	1	1	4	1	1	2	4	1							

QUANTITY FOR MODEL EVMSG64

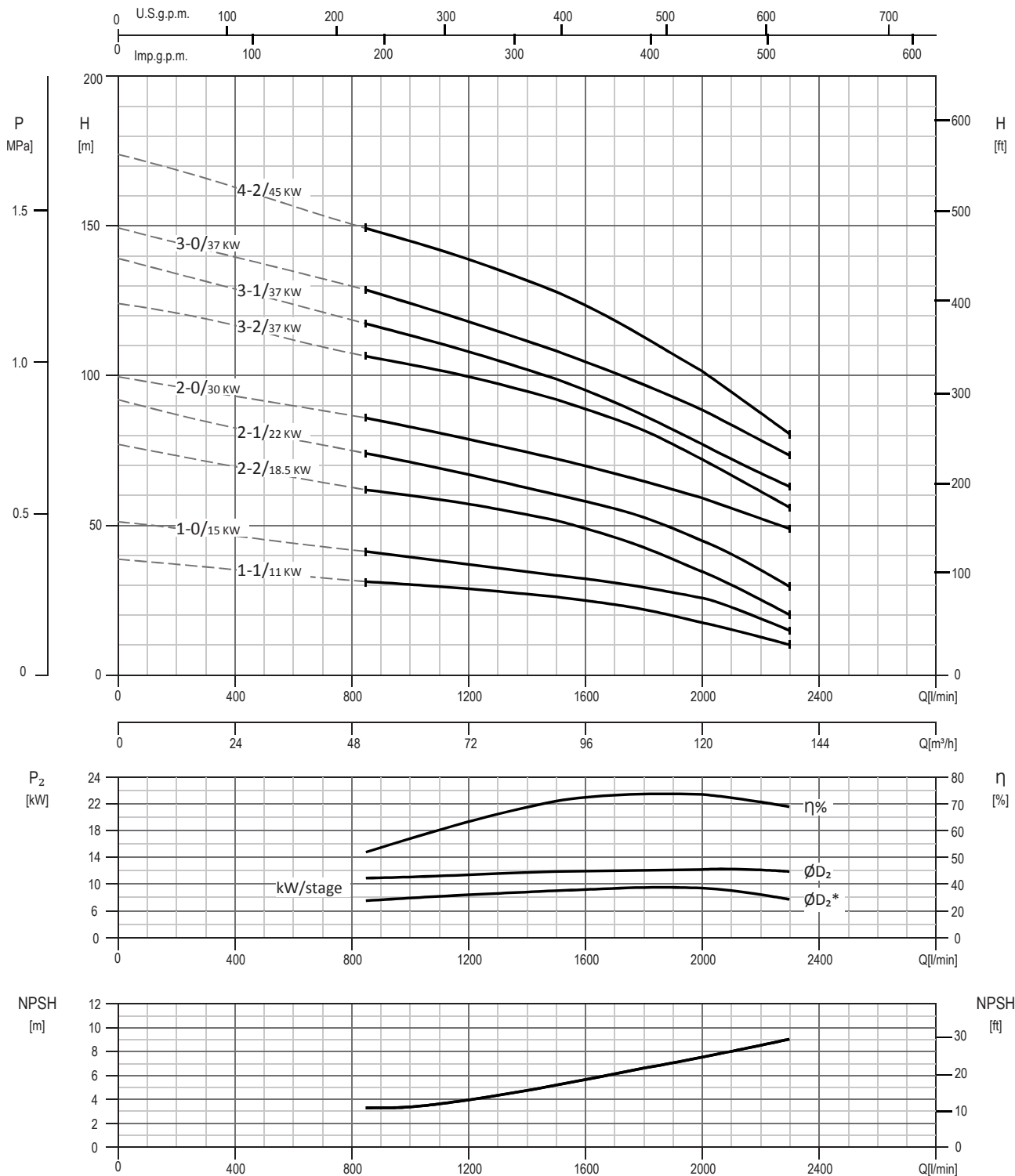
2.16

EVMSG64

Pump Type	N° 56
EVMSG64 1-1/7,5	/
EVMSG64 1-0/11	/
EVMSG64 2-2/15	/
EVMSG64 2-1/18,5	/
EVMSG64 2-0/18,5	/
EVMSG64 3-2/22	/
EVMSG64 3-1/30	/
EVMSG64 3-0/30	/
EVMSG64 4-2/37	6315 ZZ C3
EVMSG64 4-1/37	6315 ZZ C3
EVMSG64 4-0/37	6315 ZZ C3
EVMSG64 5-2/45	6315 ZZ C3
EVMSG64 5-1/45	6315 ZZ C3
EVMSG64 5-0/45	6315 ZZ C3

PERFORMANCE CURVE
EVMS(L)90

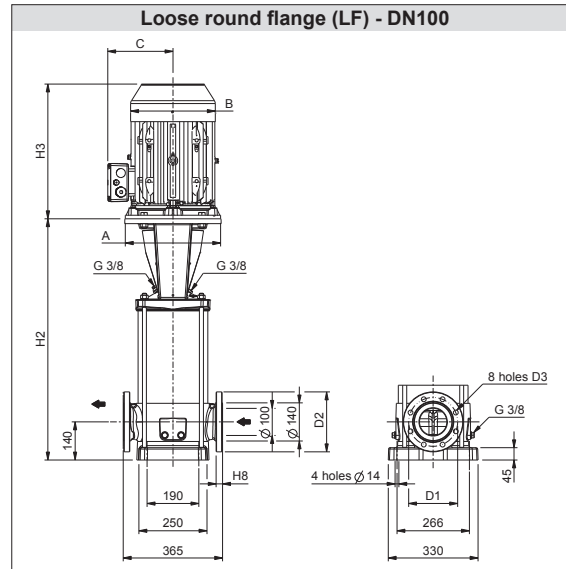
EVMS(L)90



Test standard: ISO 9906:2012 - Grade 3B

TECHNICAL DATA EVMS(L)90

Dimensional sketch



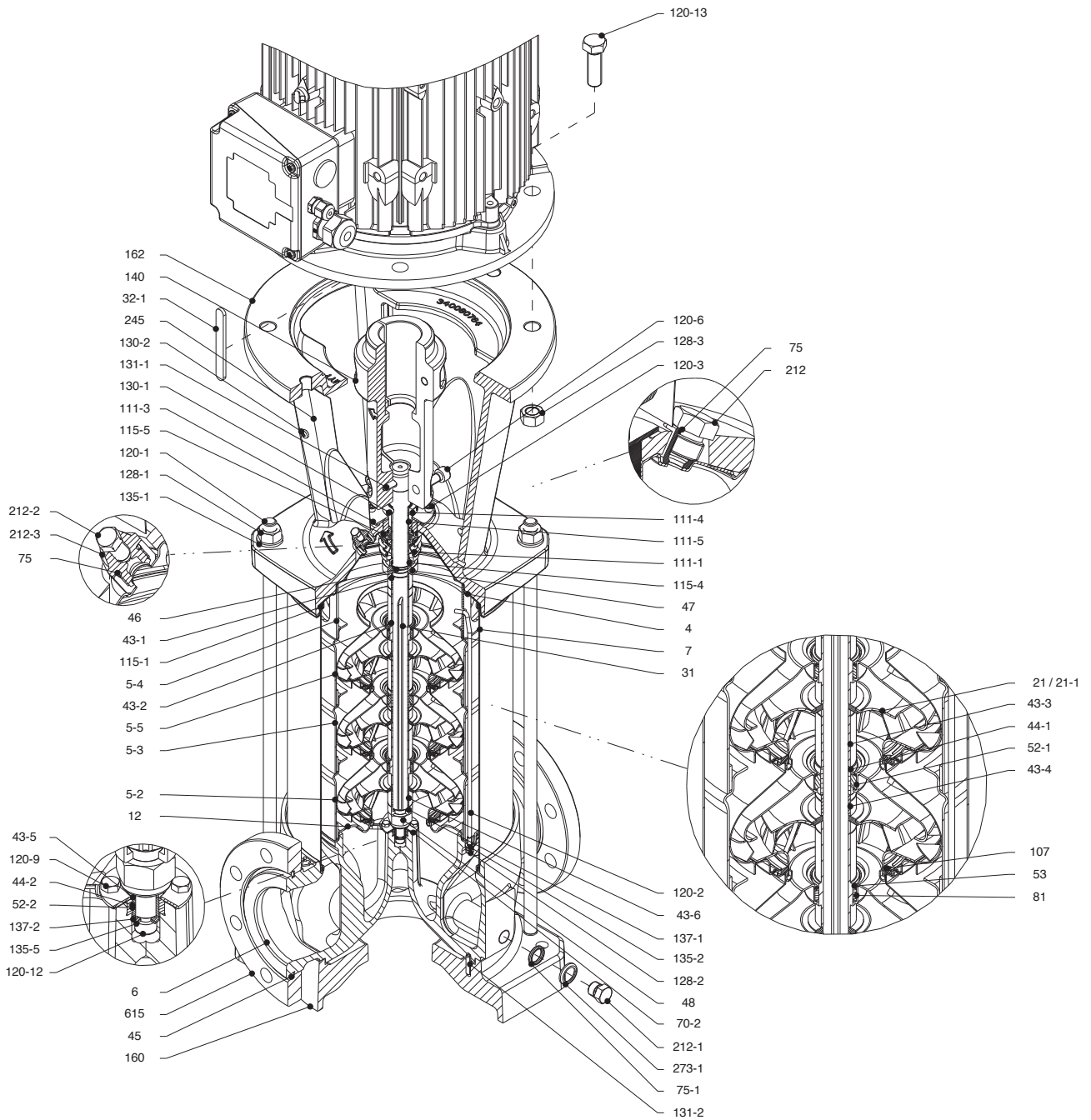
Dimensions [mm] and Weights [Kg]

Pump Type	P _{max} [MPa]	Motor					Loose round flange (LF)							Weight Pump	Weight Pump + Motor
		kW	Size	A	B	C	H2	H2+H3	D1	D2	D3	H8			
EVMS(L)90 1-1/11	1.6	11	160	350	259	180	701	1140	180	220	18	24	84.7	147.2	
EVMS(L)90 1-0/15	1.6	15	160	350	311	240	701	1196	180	220	18	24	73.8	174.8	
EVMS(L)90 2-2/18.5	1.6	18.5	160	350	311	240	794	1289	180	220	18	24	86.2	195.2	
EVMS(L)90 2-1/22	1.6	22	180	350	354	260	794	1346	180	220	18	24	83.2	218.2	
EVMS(L)90 2-0/30	1.6	30	200	400	354	280	794	1346	180	220	18	24	75.6	243.6	
EVMS(L)90 3-2/37	1.6	37	200	400	382	295	904	1581	220	180	18	24	108.0	368.0	
EVMS(L)90 3-1/37	1.6	37	200	400	382	295	904	1581	220	180	18	24	108.0	368.0	
EVMS(L)90 3-0/37	1.6	37	200	400	382	295	904	1581	220	180	18	24	108.0	368.0	
EVMS(L)90 4-2/45	2.5	45	225	450	449	335	997	1763	235	190	22	30	128.5	502.5	

1.6 MPa=16 bar;

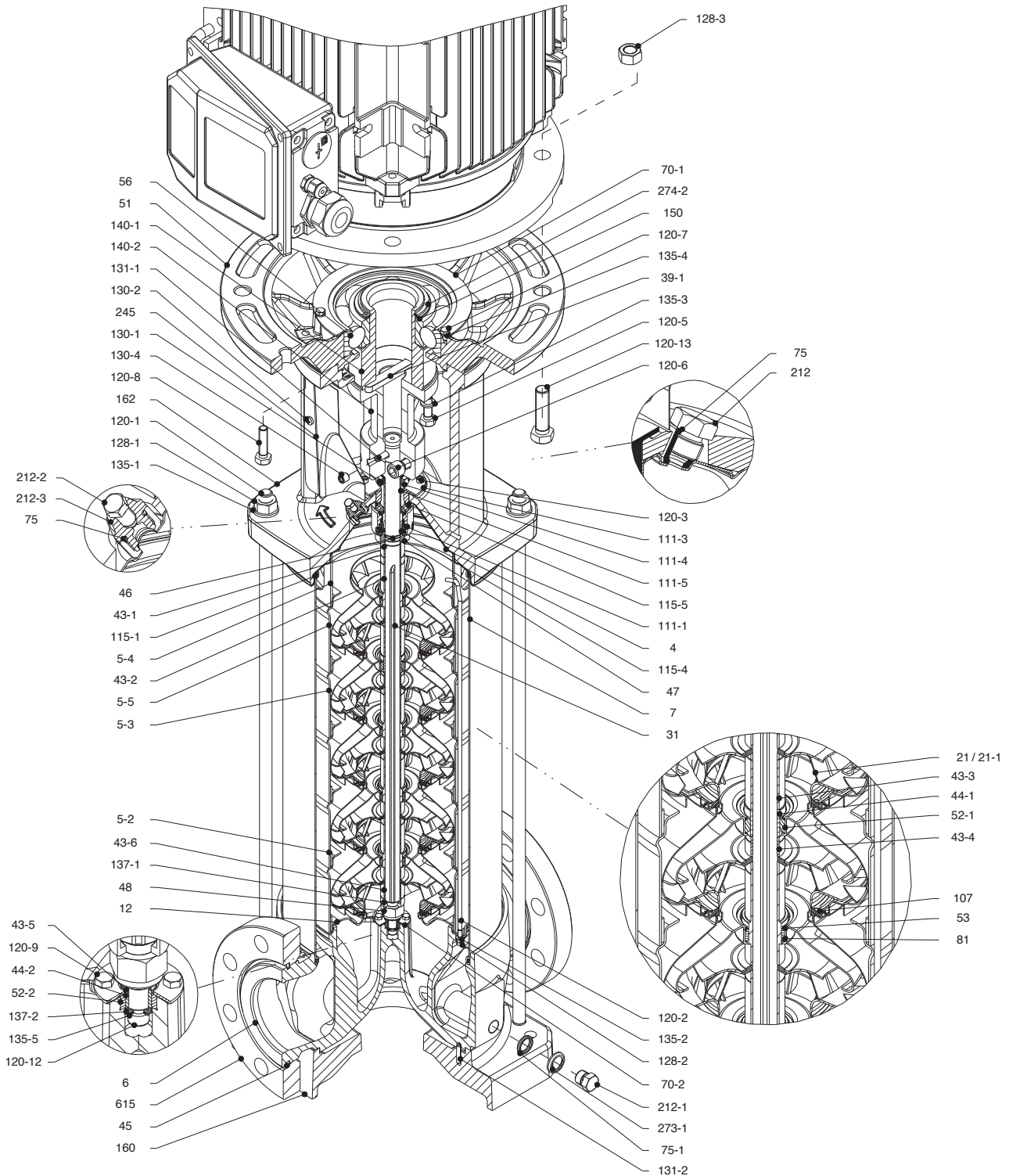
2.5 MPa=25 bar

SECTIONAL VIEW
EVMS(L)90



Pump without ball bearing
up to 30 kW

SECTIONAL VIEW EVMS(L)90



Pump with single ball bearing
above 37 kW

SECTIONAL TABLE EVMS(L)90

N°	PART NAME	MATERIAL		DIMENSIONS	STANDARD
		EVMS	EVMSL		
4	Casing cover	EN 1.4301 (AISI 304)	EN 1.4404 (AISI 316L)		
5-2	Intermediate casing	EN 1.4301 (AISI 304)	EN 1.4404 (AISI 316L)		
5-3	Intermediate casing with bearing	EN 1.4301 (AISI 304)	EN 1.4404 (AISI 316L)		
5-4	Discharge casing	EN 1.4301 (AISI 304)	EN 1.4404 (AISI 316L)		
5-5	Top intermediate casing	EN 1.4301 (AISI 304)	EN 1.4404 (AISI 316L)		
6	Bottom casing	EN 1.4308 (ASTM CF8)	EN 1.4408 (ASTM CF8M)		
7	Outer casing	EN 1.4301 (AISI 304)	EN 1.4404 (AISI 316L)		
12	Suction cover	EN 1.4301 (AISI 304)	EN 1.4404 (AISI 316L)		
21	Impeller	EN 1.4301 (AISI 304)	EN 1.4404 (AISI 316L)		
21-1	Reduced impeller	EN 1.4301 (AISI 304)	EN 1.4404 (AISI 316L)		
31	Shaft	EN 1.4301 (AISI 304)	EN 1.4462 (AISI 329A)		
32-1	Adjuster key	EN 1.4301 (AISI 304)			
39-1	Coupling key	Carbon Steel			
43-1	Shaft sleeve (mechanical seal)	EN 1.4301 (AISI 304)	EN 1.4404 (AISI 316L)		
43-2	Shaft sleeve (intermediate)	EN 1.4301 (AISI 304)	EN 1.4404 (AISI 316L)		
43-3	Shaft sleeve (bearing)	EN 1.4301 (AISI 304)	EN 1.4404 (AISI 316L)		
43-4	Shaft sleeve (adjustment)	EN 1.4301 (AISI 304)	EN 1.4404 (AISI 316L)		
43-5	Shaft sleeve (last stage)	EN 1.4301 (AISI 304)	EN 1.4404 (AISI 316L)		
43-6	Shaft sleeve (adjustment)	EN 1.4301 (AISI 304)	EN 1.4404 (AISI 316L)		
44-1	Shaft sleeve bearing	Tungsten carbide			
44-2	Shaft sleeve (bearing)	Tungsten carbide			
45	Flange holder	EN 1.4301 (AISI 304)			
46	Ring (mechanical seal)	EN 1.4404 (AISI 316L)			
47	Ring holder	EN 1.4404 (AISI 316L)			
48	Impeller nut	EN 1.4301 (AISI 304) with inox insert	EN 1.4401 (AISI 316) with inox insert		
51	Motor adapter	Cast Iron EN GJL250 EN 1561			
52-1	Sleeve bearing	Tungsten carbide			
52-2	Bearing sleeve (bottom casing)	Tungsten carbide			
53	Bush holder	EN 1.4301 (AISI 304)	EN 1.4404 (AISI 316L)		
56	Ball bearing	above 37 kW see table page 143			
70-1	Ring for ball bearing	above 37 kW EN 1.4301 (AISI 304)			
70-2	Ring for bearing sleeve	EN 1.4301 (AISI 304)	EN 1.4404 (AISI 316L)		
75	O-Ring (priming plug)	EPDM / FPM		Ø12.37x2.62	OR 3050
75-1	O-Ring (drainage plug)	EPDM / FPM			
81	Bush	PTFE			
107	Liner ring	EN 1.4301 (AISI 304) + PPS	EN 1.4404 (AISI 316L) + PPS		
111-1	Mechanical seal	See pages 6-7			
111-3	Mechanical seal seat	EN 1.4301 (AISI 304)	EN 1.4401 (AISI 316)		
111-4	Seal holder	EN 1.4404 (AISI 316L)			
111-5	Mechanical seal cartridge sleeve	EN 1.4301 (AISI 304)	EN 1.4404 (AISI 316L)		
115-1	O-Ring (outer casing)	EPDM / FPM		Ø240.66x5.34	OR 6945
115-4	O-Ring (cartridge sleeve)	EPDM / FPM		Ø23.39x3.53	OR 4093
115-5	O-Ring (seal flange)	EPDM / FPM		Ø44.04x3.53	OR 4175
120-1	Tie rod	EN 1.4057 (AISI 431)			
120-2	Tie rod (stage)	EN 1.4301 (AISI 304)	EN 1.4401 (AISI 316)		
120-3	Screw (seal flange)	A2-70		M5x12	ISO 4762
120-5	Screw (extension coupling)	above 37 kW Galvanized steel 8.8 strength class ISO 898/1		M10x30	ISO 4017

SECTIONAL TABLE EVMS(L)90

N°	PART NAME	MATERIAL		DIMENSIONS	STANDARD
		EVMS	EVMSL		
120-6	Screw (pump coupling)	up to 30 kW	Galvanized steel 8.8 strength class ISO 898/1	M10x30	ISO 4762
		above 37 kW	Galvanized steel 8.8 strength class ISO 898/1	M12x30	ISO 4762
120-7	Screw (ball bearing)	above 37 kW	Galvanized steel 8.8 strength class ISO 898/1	M6x10	ISO 4017
120-8	Screw (motor adapter)	above 37 kW	Galvanized steel 8.8 strength class ISO 898/1	M10x40	ISO 4017
120-9	Screw (bottom casing)		A2-70	M5x8	ISO 4017
120-12	Screw (shaft)		A2-70	M6x16	ISO 4762
120-13	Screw for motor	MEC 160-180	Galvanized steel 8.8 strength class ISO 898/1	M16x50	ISO 4017
		MEC 200-225	Galvanized steel 8.8 strength class ISO 898/1	M16x60	ISO 4014
128-1	Nut (tie rod)		A2-70	M16	ISO 4032
128-2	Nut (casing tie rod)		A2-70	M5	ISO 4032
128-3	Nut (motor)	MEC 160-180-200-225	Galvanized steel	M16	ISO 4032
130-1	Set screw		EN 1.4301 (AISI 304)	M6x8	ISO 4026
130-2	Screw for coupling guard		A2-70	M5x6	UNI 7687
130-4	Set screw (pump coupling)	above 37 kW	Galvanized steel	M10x10	ISO 4026
131-1	Pin for shaft		Carbon Steel	Ø8x50	ISO 2338
131-2	Elastic pin		EN 1.4301 (AISI 304)	Ø6x26	ISO 8752
135-1	Washer (tie rod)		EN 1.4301 (AISI 304)	Ø16	ISO 7089
135-2	Washer (casing tie rod)		EN 1.4301 (AISI 304) EN 1.4404 (AISI 316)	Ø5.1	UNI 1751
135-3	Washer (extension coupling)	above 37 kW	Galvanized steel	Ø10.2	UNI 1751
135-4	Washer (ball bearing)	above 37 kW	Plated carbon steel	Ø6.1	UNI 1751
135-5	Washer (impeller nut)		EN 1.4301 (AISI 304) EN 1.4404 (AISI 316L)		
137-1	Impeller spacer		EN 1.4301 (AISI 304) EN 1.4404 (AISI 316L)		
137-2	Shaft spacer		EN 1.4301 (AISI 304) EN 1.4404 (AISI 316L)		
140	Coupling	up to 30 kW	Cast Iron EN GJL250 EN 1561		
140-1	Extension coupling	above 37 kW	Carbon Steel		
140-2	Coupling	above 37 kW	Carbon Steel		
150	Spacer (snap ring)	above 37 kW	Carbon Steel		
160	Base		Cast Iron EN GJL200 EN 1561		
162	Motor bracket	up to 30 kW	Cast Iron EN GJS 400-15 EN 1563		
212	Priming plug		EN 1.4301 (AISI 304) EN 1.4404 (AISI 316L)		
212-1	Drainage plug		EN 1.4301 (AISI 304) EN 1.4404 (AISI 316L)		
212-2	Venting plug		EN 1.4401 (AISI 316)		
212-3	Priming plug		EN 1.4301 (AISI 304) EN 1.4404 (AISI 316L)		
245	Coupling guard		EN 1.4301 (AISI 304)		
273-1	Washer (drainage plug)		EN 1.4301 (AISI 304) EN 1.4404 (AISI 316L)		
274-2	C-type snap ring (coupling)	above 37 kW	Carbon Steel TC80	Ø75	UNI 7435
615	Loose flange		Cast Iron EN GJS 500-7 EN 1563		

QUANTITY FOR MODEL
EVMS(L)90

Pump Type	N°																												
	4	5-2	5-3	5-4	5-5	6	7	12	21	21-1	31	32-1	39-1	43-1	43-2	43-3	43-4	43-5	43-6	44-1	44-2	45	46	47	48	51	52-1	52-2	
EVMS(L)90 1-1/11	1	/	/	1	1	1	1	1	/	1	1	/	1	1	/	/	1	1	/	1	4	1	1	1	/	/	1		
EVMS(L)90 1-0/15	1	/	/	1	1	1	1	1	1	/	1	1	/	1	1	/	/	1	1	/	1	4	1	1	1	/	/	1	
EVMS(L)90 2-2/18.5	1	1	1	1	1	1	1	1	1	/	2	1	1	/	1	2	1	1	1	1	1	1	4	1	1	1	/	1	1
EVMS(L)90 2-1/22	1	1	1	1	1	1	1	1	1	1	1	1	/	1	2	1	1	1	1	1	1	1	4	1	1	1	/	1	1
EVMS(L)90 2-0/30	1	1	1	1	1	1	1	1	2	/	1	1	/	1	2	1	1	1	1	1	1	1	4	1	1	1	/	1	1
EVMS(L)90 3-2/37	1	1	1	1	1	1	1	1	1	2	1	/	1	1	2	1	1	1	1	1	1	1	4	1	1	1	1	1	1
EVMS(L)90 3-1/37	1	1	1	1	1	1	1	1	2	1	1	/	1	1	2	1	1	1	1	1	1	1	4	1	1	1	1	1	1
EVMS(L)90 3-0/37	1	1	1	1	1	1	1	1	3	/	1	/	1	1	2	1	1	1	1	1	1	1	4	1	1	1	1	1	1
EVMS(L)90 4-2/45	1	2	1	1	1	1	1	1	1	2	2	1	/	1	1	1	3	1	1	1	1	1	4	1	1	1	1	1	1

☐ shaft in EN 1.4462 (AISI 329A) only for EVMSL

Pump Type	N°																												
	53	56	70-1	70-2	75	75-1	81	107	111-1	111-3	111-4	111-5	115-1	115-4	115-5	120-1	120-2	120-3	120-5	120-6	120-7	120-8	120-9	120-12	120-13	128-1	128-2	128-3	
EVMS(L)90 1-1/11	1	/	/	1	2	4	1	1	1	1	1	1	2	1	1	4	2	4	/	4	/	/	4	1	4	4	4	4	4
EVMS(L)90 1-0/15	1	/	/	1	2	4	1	1	1	1	1	1	2	1	1	4	2	4	/	4	/	/	4	1	4	4	4	4	4
EVMS(L)90 2-2/18.5	3	/	/	1	2	4	2	2	1	1	1	1	2	1	1	4	2	4	/	4	/	/	4	1	4	4	4	4	4
EVMS(L)90 2-1/22	3	/	/	1	2	4	2	2	1	1	1	1	2	1	1	4	2	4	/	4	/	/	4	1	4	4	4	4	4
EVMS(L)90 2-0/30	3	/	/	1	2	4	2	2	1	1	1	1	2	1	1	4	2	4	/	4	/	/	4	1	4	4	4	4	4
EVMS(L)90 3-2/37	3	1	1	1	2	4	2	3	1	1	1	1	2	1	1	4	2	4	4	2	3	4	4	1	4	4	4	4	4
EVMS(L)90 3-1/37	3	1	1	1	2	4	2	3	1	1	1	1	2	1	1	4	2	4	4	2	3	4	4	1	4	4	4	4	4
EVMS(L)90 3-0/37	3	1	1	1	2	4	2	3	1	1	1	1	2	1	1	4	2	4	4	2	3	4	4	1	4	4	4	4	4
EVMS(L)90 4-2/45	4	1	1	1	2	4	3	4	1	1	1	1	2	1	1	4	2	4	4	2	3	4	4	1	8	4	4	8	8

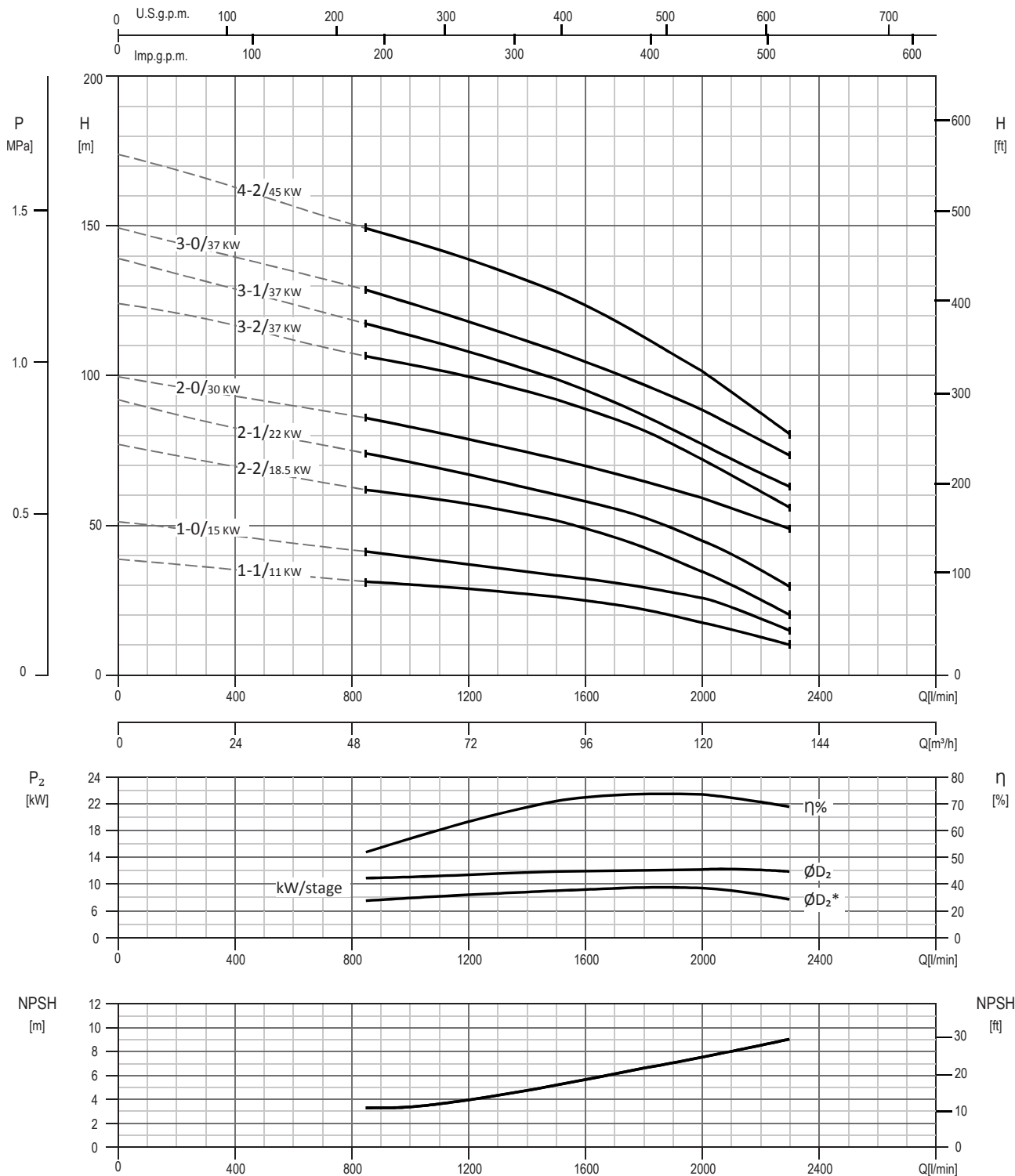
Pump Type	N°																									
	130-1	130-2	130-4	131-1	131-2	135-1	135-2	135-3	135-4	135-5	137-1	137-2	140	140-1	140-2	150	160	162	212	212-1	212-2	212-3	245	273-1	274-2	615
EVMS(L)90 1-1/11	3	4	/	1	1	4	2	/	/	1	1	1	2	/	/	/	1	1	1	4	1	1	2	4	/	2
EVMS(L)90 1-0/15	3	4	/	1	1	4	2	/	/	1	1	1	2	/	/	/	1	1	1	4	1	1	2	4	/	2
EVMS(L)90 2-2/18.5	3	4	/	1	1	4	2	/	/	1	1	1	2	/	/	/	1	1	1	4	1	1	2	4	/	2
EVMS(L)90 2-1/22	3	4	/	1	1	4	2	/	/	1	1	1	2	/	/	/	1	1	1	4	1	1	2	4	/	2
EVMS(L)90 2-0/30	3	4	/	1	1	4	2	/	/	1	1	1	2	/	/	/	1	1	1	4	1	1	2	4	/	2
EVMS(L)90 3-2/37	3	4	1	1	1	4	2	4	3	1	1	1	/	1	1	1	1	1	1	4	1	1	2	4	1	2
EVMS(L)90 3-1/37	3	4	1	1	1	4	2	4	3	1	1	1	/	1	1	1	1	1	1	4	1	1	2	4	1	2
EVMS(L)90 3-0/37	3	4	1	1	1	4	2	4	3	1	1	1	/	1	1	1	1	1	1	4	1	1	2	4	1	2
EVMS(L)90 4-2/45	3	4	1	1	1	4	2	4	3	1	1	1	/	1	1	1	1	1	1	4	1	1	2	4	1	2

BEARINGS EVMS(L)90

Pump Type	N° 56
EVMS(L)90 1-1/11	/
EVMS(L)90 1-0/15	/
EVMS(L)90 2-2/18.5	/
EVMS(L)90 2-1/22	/
EVMS(L)90 2-0/30	/
EVMS(L)90 3-2/37	6315 ZZ C3
EVMS(L)90 3-1/37	6315 ZZ C3
EVMS(L)90 3-0/37	6315 ZZ C3
EVMS(L)90 4-2/45	6315 ZZ C3

PERFORMANCE CURVE
EVMSG90

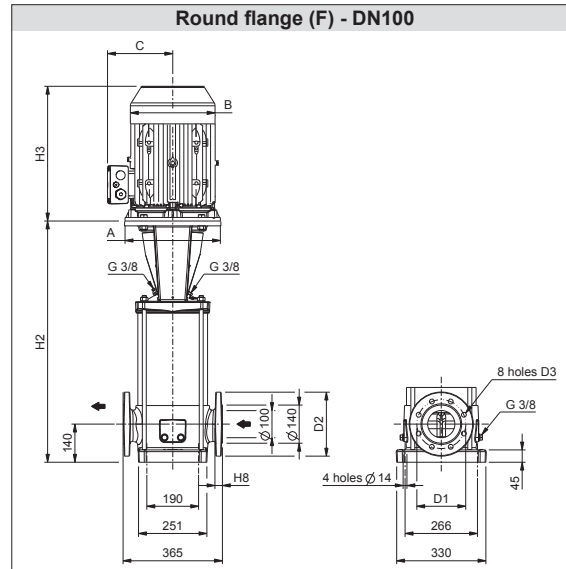
EVMSG90



Test standard: ISO 9906:2012 - Grade 3B

TECHNICAL DATA EVMSG90

Dimensional sketch



Dimensions [mm] and Weights [Kg]

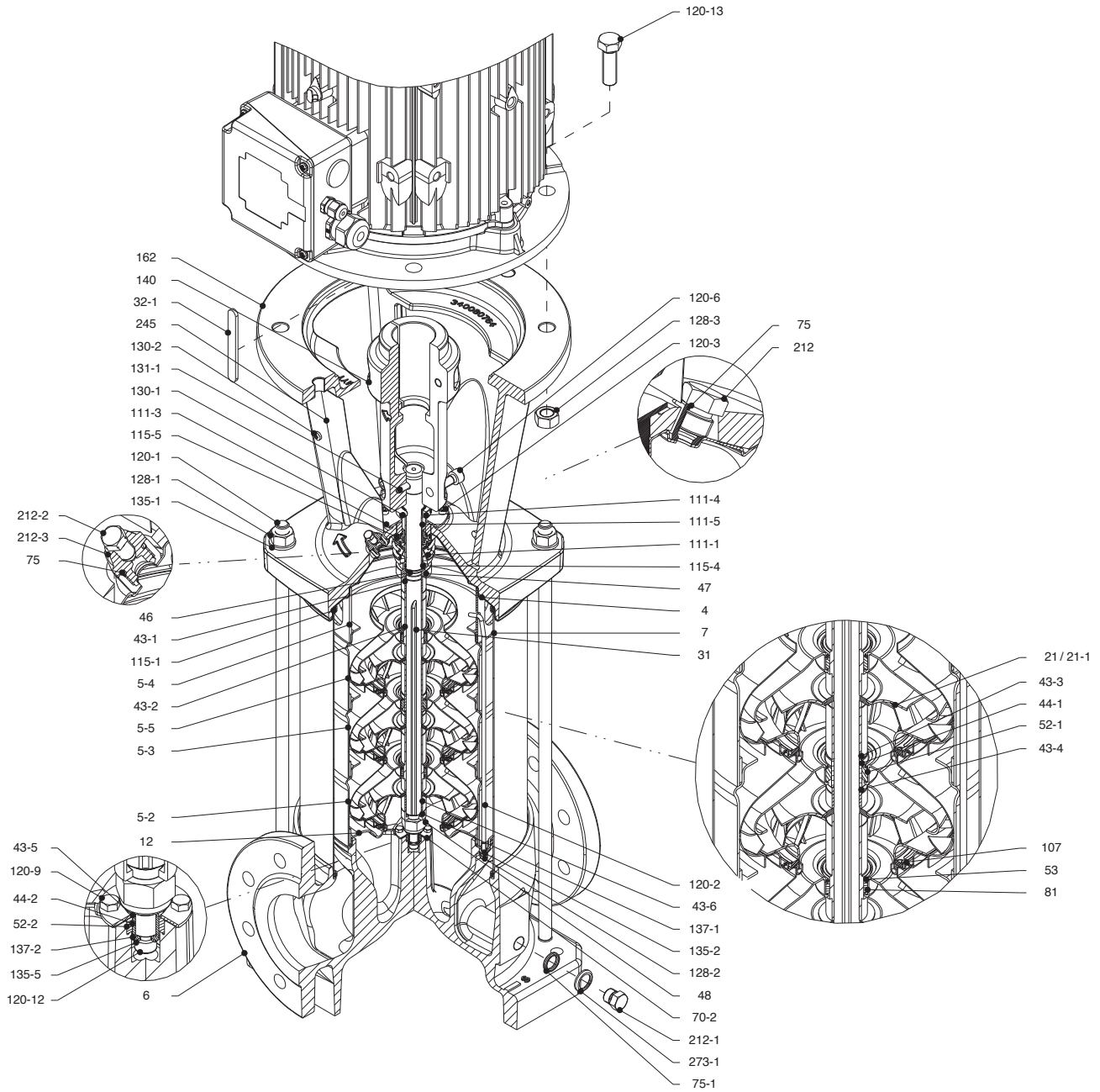
Pump Type	P _{max} [MPa]	Motor					Round flange (F)							Weight Pump	Weight Pump + Motor
		kW	Size	A Ø	B	C	H2	H2+H3	D1	D2	D3	H8			
EVMSG90 1-1/11	1.6	11	160	350	259	180	701	1140	180	235	18	24	81.9	144.4	
EVMSG90 1-0/15	1.6	15	160	350	311	240	701	1196	180	235	18	24	70.9	171.9	
EVMSG90 2-2/18.5	1.6	18.5	160	350	311	240	794	1289	180	235	18	24	83.4	192.4	
EVMSG90 2-1/22	1.6	22	180	350	354	260	794	1346	180	235	18	24	80.4	215.4	
EVMSG90 2-0/30	1.6	30	200	400	354	280	794	1346	180	235	18	24	72.7	240.7	
EVMSG90 3-2/37	1.6	37	200	400	382	295	904	1581	180	235	18	24	105.1	365.1	
EVMSG90 3-1/37	1.6	37	200	400	382	295	904	1581	180	235	18	24	105.1	365.1	
EVMSG90 3-0/37	1.6	37	200	400	382	295	904	1581	180	235	18	24	105.1	365.1	
EVMSG90 4-2/45	2.5	45	225	450	449	335	997	1763	190	254	22	31	122.3	496.3	

1.6 MPa=16 bar;

2.5 MPa=25 bar

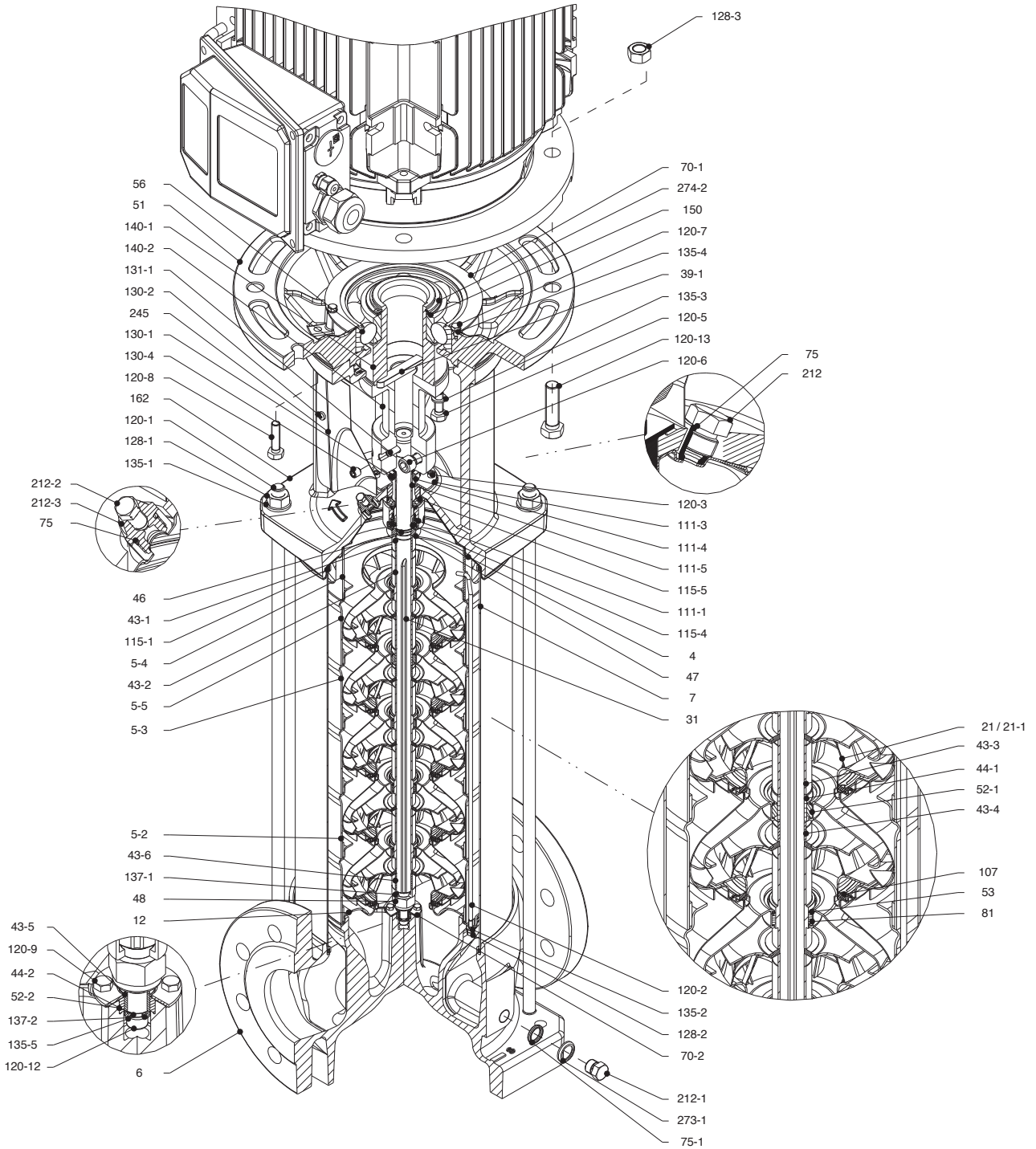
SECTIONAL VIEW
EVMSG90

EVMSG90



Pump without ball bearing
up to 30 kW

SECTIONAL VIEW EVMSG90



Pump with single ball bearing
above 37 kW

SECTIONAL TABLE
EVMSG90

N°	PART NAME	MATERIAL EVMSG	DIMENSIONS	STANDARD
4	Casing cover	EN 1.4301 (AISI 304)		
5-2	Intermediate casing	EN 1.4301 (AISI 304)		
5-3	Intermediate casing with bearing	EN 1.4301 (AISI 304)		
5-4	Discharge casing	EN 1.4301 (AISI 304)		
5-5	Top intermediate casing	EN 1.4301 (AISI 304)		
6	Bottom casing	Cast Iron EN GJL-250 EN 1561 Cast Iron EN GJS 400-15 EN 1563		
7	Outer casing	EN 1.4301 (AISI 304)		
12	Suction cover	EN 1.4301 (AISI 304)		
21	Impeller	EN 1.4301 (AISI 304)		
21-1	Reduced impeller	EN 1.4301 (AISI 304)		
31	Shaft	EN 1.4301 (AISI 304)		
32-1	Adjuster key	EN 1.4301 (AISI 304)		
39-1	Coupling key	Carbon Steel		
	above 37 kW			
43-1	Shaft sleeve (mechanical seal)	EN 1.4301 (AISI 304)		
43-2	Shaft sleeve (intermediate)	EN 1.4301 (AISI 304)		
43-3	Shaft sleeve (bearing)	EN 1.4301 (AISI 304)		
43-4	Shaft sleeve (adjustment)	EN 1.4301 (AISI 304)		
43-5	Shaft sleeve (last stage)	EN 1.4301 (AISI 304)		
43-6	Shaft sleeve (adjustment)	EN 1.4301 (AISI 304)		
44-1	Shaft sleeve bearing	Tungsten carbide		
44-2	Shaft sleeve (bearing)	Tungsten carbide		
46	Ring (mechanical seal)	EN 1.4404 (AISI 316L)		
47	Ring holder	EN 1.4301 (AISI 304)		
48	Impeller nut	EN 1.4301 (AISI 304) with inox insert		
51	Motor adapter	Cast Iron EN GJL250 EN 1561		
	above 37 kW			
52-1	Sleeve bearing	Tungsten carbide		
52-2	Bearing sleeve (bottom casing)	Tungsten carbide		
53	Bush holder	EN 1.4301 (AISI 304)		
56	Ball bearing	see table page 151		
	above 37 kW			
70-1	Ring for ball bearing	EN 1.4301 (AISI 304)		
	above 37 kW			
70-2	Ring for bearing sleeve	EN 1.4301 (AISI 304)		
75	O-Ring (priming plug)	EPDM / FPM	Ø12.37x2.62	OR 3050
75-1	O-Ring (drainage plug)	EPDM / FPM		
81	Bush	PTFE		
107	Liner ring	EN 1.4301 (AISI 304) + PPS		
111-1	Mechanical seal	See pages 6-7		
111-3	Mechanical seal seat	EN 1.4301 (AISI 304)		
111-4	Seal holder	EN 1.4404 (AISI 316L)		
111-5	Mechanical seal cartridge sleeve	EN 1.4301 (AISI 304)		
115-1	O-Ring (outer casing)	EPDM / FPM	Ø240.66x5.34	OR 6945
115-4	O-Ring (cartridge sleeve)	EPDM / FPM	Ø23.39x3.53	OR 4093
115-5	O-Ring (seal flange)	EPDM / FPM	Ø44.04x3.53	OR 4175
120-1	Tie rod	EN 1.4057 (AISI 431)		
120-2	Tie rod (stage)	EN 1.4301 (AISI 304)		
120-3	Screw (seal flange)	A2-70	M5x12	ISO 4762
120-5	Screw (extension coupling)	Galvanized steel 8.8 strength class ISO 898/1	M10x30	ISO 4017
	above 37 kW			

SECTIONAL TABLE EVMSG90

N°	PART NAME	MATERIAL EVMSG	DIMENSIONS	STANDARD
120-6	Screw (pump coupling)	up to 30 kW above 37 kW	Galvanized steel 8.8 strength class ISO 898/1 Galvanized steel 8.8 strength class ISO 898/1	M10x30 M12x30 ISO 4762
120-7	Screw (ball bearing)	above 37 kW	Galvanized steel 8.8 strength class ISO 898/1	M6x10 ISO 4017
120-8	Screw (motor adapter)	above 37 kW	Galvanized steel 8.8 strength class ISO 898/1	M10x40 ISO 4017
120-9	Screw (bottom casing)		A2-70	M5x8 ISO 4017
120-12	Screw (shaft)		A2-70	M6x16 ISO 4762
120-13	Screw for motor	MEC 160-180 MEC 200-225	Galvanized steel 8.8 strength class ISO 898/1 Galvanized steel 8.8 strength class ISO 898/1	M16x50 M16x60 ISO 4017 ISO 4014
128-1	Nut (tie rod)		A2-70	M16 ISO 4032
128-2	Nut (casing tie rod)		A2-70	M5 ISO 4032
128-3	Nut (motor)	MEC 160-180-200-225	Galvanized steel	M16 ISO 4032
130-1	Set screw		EN 1.4301 (AISI 304)	M6x8 ISO 4026
130-2	Screw for coupling guard		A2-70	M5x6 UNI 7687
130-4	Set screw (pump coupling)	above 37 kW	Galvanized steel	M10x10 ISO 4026
131-1	Pin for shaft		Carbon Steel	Ø8X50 ISO 2338
135-1	Washer (tie rod)		EN 1.4301 (AISI 304)	Ø16 ISO 7089
135-2	Washer (casing tie rod)		EN 1.4301 (AISI 304)	Ø5.1 UNI 1751
135-3	Washer (extension coupling)	above 37 kW	Galvanized steel	Ø10.2 UNI 1751
135-4	Washer (ball bearing)	above 37 kW	Plated carbon steel	Ø6.1 UNI 1751
135-5	Washer (impeller nut)		EN 1.4301 (AISI 304)	
137-1	Impeller spacer		EN 1.4301 (AISI 304)	
137-2	Shaft spacer		EN 1.4301 (AISI 304)	
140	Coupling	up to 30 kW	Cast Iron EN GJL250 EN 1561	
140-1	Extension coupling	above 37 kW	Carbon Steel	
140-2	Coupling	above 37 kW	Carbon Steel	
150	Spacer (snap ring)	above 37 kW	Carbon Steel	
162	Motor bracket	up to 30 kW	Cast Iron EN GJS 400-15 EN 1563	
212	Priming plug		EN 1.4301 (AISI 304)	
212-1	Drainage plug		EN 1.4301 (AISI 304)	
212-2	Venting plug		EN 1.4401 (AISI 316)	
212-3	Priming plug		EN 1.4301 (AISI 304)	
245	Coupling guard		EN 1.4301 (AISI 304)	
273-1	Washer (drainage plug)		EN 1.4301 (AISI 304)	
274-2	C-type snap ring (coupling)	above 37 kW	Carbon Steel TC80	Ø75 UNI 7435

QUANTITY FOR MODEL
EVMSG90

Pump Type	N°																												
	4	5-2	5-3	5-4	5-5	6	7	12	21	21-1	31	32-1	39-1	43-1	43-2	43-3	43-4	43-5	43-6	44-1	44-2	46	47	48	51	52-1	52-2	53	
EVMSG90 1-1/11	1	/	/	1	1	1	1	1	/	1	1	1	/	1	1	/	/	1	1	/	1	1	1	1	/	/	1	1	
EVMSG90 1-0/15	1	/	/	1	1	1	1	1	1	/	1	1	/	1	1	/	/	1	1	/	1	1	1	1	1	/	/	1	1
EVMSG90 2-2/18.5	1	1	1	1	1	1	1	1	1	/	2	1	1	/	1	2	1	1	1	1	1	1	1	1	1	/	1	1	3
EVMSG90 2-1/22	1	1	1	1	1	1	1	1	1	1	1	1	/	1	2	1	1	1	1	1	1	1	1	1	1	/	1	1	3
EVMSG90 2-0/30	1	1	1	1	1	1	1	1	2	/	1	1	/	1	2	1	1	1	1	1	1	1	1	1	1	/	1	1	3
EVMSG90 3-2/37	1	1	1	1	1	1	1	1	1	2	1	/	1	1	2	1	1	1	1	1	1	1	1	1	1	1	1	1	3
EVMSG90 3-1/37	1	1	1	1	1	1	1	1	2	1	1	/	1	1	2	1	1	1	1	1	1	1	1	1	1	1	1	1	3
EVMSG90 3-0/37	1	1	1	1	1	1	1	1	3	/	1	/	1	1	2	1	1	1	1	1	1	1	1	1	1	1	1	1	3
EVMSG90 4-2/45	1	2	1	1	1	1	1	1	1	2	2	1	/	1	1	3	1	1	1	1	1	1	1	1	1	1	1	1	4

Pump Type	N°																											
	56	70-1	70-2	75	75-1	81	107	111-1	111-3	111-4	111-5	115-1	115-4	115-5	120-1	120-2	120-3	120-5	120-6	120-7	120-8	120-9	120-12	120-13	128-1	128-2	128-3	130-1
EVMSG90 1-1/11	/	/	1	2	4	1	1	1	1	1	1	2	1	1	4	2	4	/	4	/	/	4	1	4	4	4	4	3
EVMSG90 1-0/15	/	/	1	2	4	1	1	1	1	1	1	2	1	1	4	2	4	/	4	/	/	4	1	4	4	4	4	3
EVMSG90 2-2/18.5	/	/	1	2	4	2	2	1	1	1	1	2	1	1	4	2	4	/	4	/	/	4	1	4	4	4	4	3
EVMSG90 2-1/22	/	/	1	2	4	2	2	1	1	1	1	2	1	1	4	2	4	/	4	/	/	4	1	4	4	4	4	3
EVMSG90 2-0/30	/	/	1	2	4	2	2	1	1	1	1	2	1	1	4	2	4	/	4	/	/	4	1	4	4	4	4	3
EVMSG90 3-2/37	1	1	1	2	4	2	3	1	1	1	1	2	1	1	4	2	4	4	2	3	4	4	1	4	4	4	4	3
EVMSG90 3-1/37	1	1	1	2	4	2	3	1	1	1	1	2	1	1	4	2	4	4	2	3	4	4	1	4	4	4	4	3
EVMSG90 3-0/37	1	1	1	2	4	2	3	1	1	1	1	2	1	1	4	2	4	4	2	3	4	4	1	4	4	4	4	3
EVMSG90 4-2/45	1	1	1	2	4	3	4	1	1	1	1	2	1	1	4	2	4	4	2	3	4	4	1	8	4	4	8	3

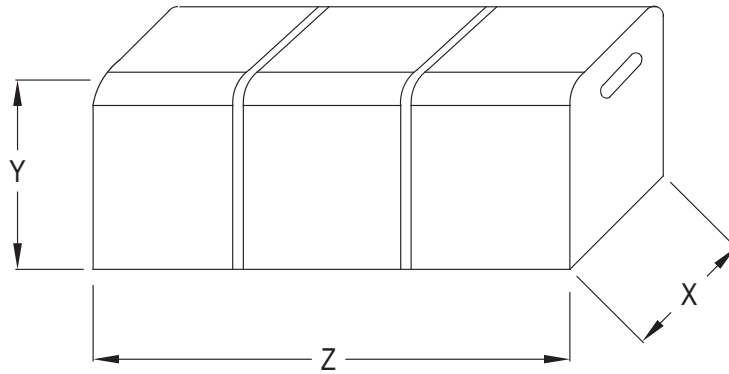
Pump Type	N°																								
	130-2	130-4	131-1	135-1	135-2	135-3	135-4	135-5	137-1	137-2	140	140-1	140-2	150	162	212	212-1	212-2	212-3	245	273-1	274-2			
EVMSG90 1-1/11	4	/	1	4	2	/	/	1	1	1	2	/	/	/	1	1	4	1	1	2	4	/			
EVMSG90 1-0/15	4	/	1	4	2	/	/	1	1	1	2	/	/	/	1	1	4	1	1	2	4	/			
EVMSG90 2-2/18.5	4	/	1	4	2	/	/	1	1	1	2	/	/	/	1	1	4	1	1	2	4	/			
EVMSG90 2-1/22	4	/	1	4	2	/	/	1	1	1	2	/	/	/	1	1	4	1	1	2	4	/			
EVMSG90 2-0/30	4	/	1	4	2	/	/	1	1	1	2	/	/	/	1	1	4	1	1	2	4	/			
EVMSG90 3-2/37	4	1	1	4	2	4	3	1	1	1	/	1	1	1	1	4	1	1	2	4	1				
EVMSG90 3-1/37	4	1	1	4	2	4	3	1	1	1	/	1	1	1	1	4	1	1	2	4	1				
EVMSG90 3-0/37	4	1	1	4	2	4	3	1	1	1	/	1	1	1	1	4	1	1	2	4	1				
EVMSG90 4-2/45	4	1	1	4	2	4	3	1	1	1	/	1	1	1	1	4	1	1	2	4	1				

BEARINGS EVMSG90

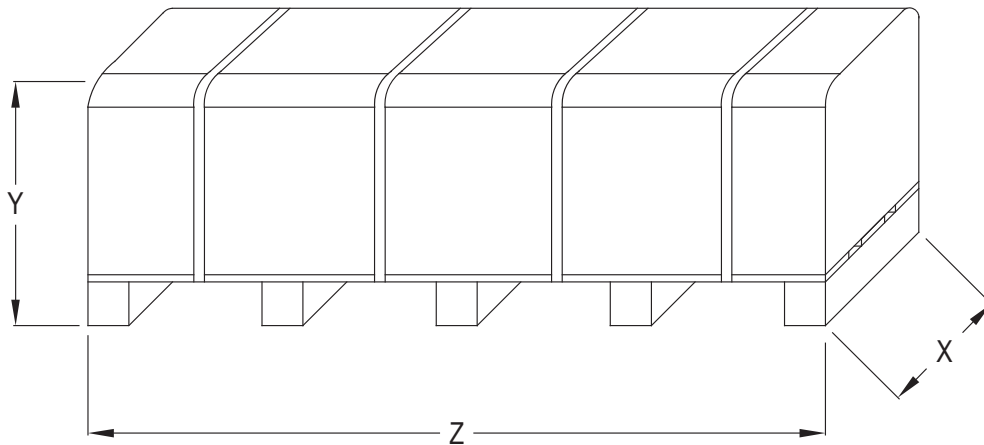
Pump Type	N° 56
EVMSG90 1-1/11	/
EVMSG90 1-0/15	/
EVMSG90 2-2/18.5	/
EVMSG90 2-1/22	/
EVMSG90 2-0/30	/
EVMSG90 3-2/37	6315 ZZ C3
EVMSG90 3-1/37	6315 ZZ C3
EVMSG90 3-0/37	6315 ZZ C3
EVMSG90 4-2/45	6315 ZZ C3

PACKING DRAWING
EVMS(.).1-3-5-10-15-20-32-45-64-90

PACKING DRAWING



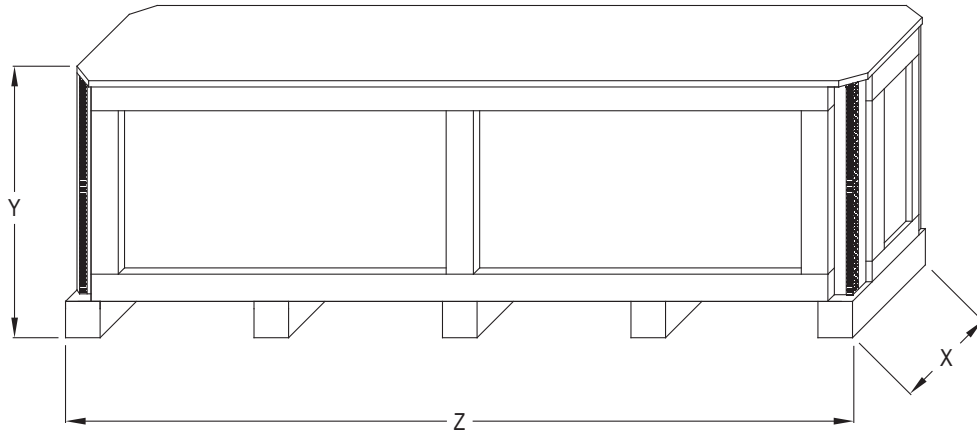
TYPE 1



TYPE 2

PACKING DRAWING EVMS(.)1-3-5-10-15-20-32-45-64-90

3.1



TYPE 3

PACKING DRAWING

PACKING DATA
EVMS(.)1-3-5

Pump type	Pumps						Pumps with motor ~3								
	Packing [mm]			Weight [kg] + Pack Type			Packing [mm]			Weight [kg] + Pack Type					
	X	Y	Z	EVMS(L)	EVMSG		X	Y	Z	EVMS(L)	EVMSG				
1	EVMS(.)1 2/0.37	385	400	385	13	1	20	1	385	400	585	20	1	26	1
	EVMS(.)1 3/0.37	385	400	385	13	1	20	1	385	400	585	21	1	27	1
	EVMS(.)1 4/0.37	385	400	385	14	1	21	1	385	400	770	21	1	27	1
	EVMS(.)1 5/0.37	385	400	585	14	1	21	1	385	400	770	21	1	27	1
	EVMS(.)1 6/0.55	385	400	585	15	1	22	1	385	400	770	22	1	28	1
	EVMS(.)1 7/0.55	385	400	585	16	1	23	1	385	400	770	23	1	30	1
	EVMS(.)1 8/0.75	385	400	585	16	1	23	1	385	400	770	25	1	32	1
	EVMS(.)1 9/0.75	385	400	585	17	1	24	1	385	400	770	26	1	33	1
	EVMS(.)1 10/0.75	385	400	585	17	1	24	1	385	400	770	26	1	33	1
	EVMS(.)1 11/1.1	385	400	585	18	1	25	1	400	430	1000	37	2	44	2
	EVMS(.)1 12/1.1	385	400	585	18	1	25	1	400	430	1000	37	2	44	2
	EVMS(.)1 13/1.1	385	400	585	18	1	25	1	400	430	1000	38	2	45	2
	EVMS(.)1 14/1.1	385	400	770	20	1	26	1	400	430	1000	38	2	45	2
	EVMS(.)1 16/1.5	385	400	770	20	1	26	1	400	430	1000	43	2	50	2
	EVMS(.)1 18/1.5	385	400	770	21	1	28	1	400	430	1000	44	2	52	2
	EVMS(.)1 20/1.5	385	400	770	22	1	30	1	400	430	1200	45	2	52	2
EVMS(.)1 22/2.2	385	400	970	24	1	30	1	400	430	1200	48	2	55	2	
EVMS(.)1 24/2.2	385	400	970	25	1	31	1	400	430	1200	50	2	56	2	
EVMS(.)1 26/2.2	385	400	970	26	1	32	1	400	430	1200	50	2	57	2	
EVMS(.)1 27/2.2	385	400	970	26	1	33	1	400	430	1200	50	2	57	2	
EVMS(.)1 29/2.2	385	400	970	27	1	34	1	500	430	1350	58	2	64	2	
3	EVMS(.)3 2/0.37	385	400	385	13	1	18	1	385	400	585	20	1	24	1
	EVMS(.)3 3/0.55	385	400	385	13	1	18	1	385	400	585	21	1	25	1
	EVMS(.)3 4/0.75	385	400	385	14	1	20	1	385	400	770	23	1	28	1
	EVMS(.)3 5/0.75	385	400	585	14	1	20	1	385	400	770	24	1	30	1
	EVMS(.)3 6/1.1	385	400	585	15	1	21	1	385	400	770	25	1	31	1
	EVMS(.)3 7/1.1	385	400	585	15	1	21	1	385	400	770	26	1	31	1
	EVMS(.)3 8/1.5	385	400	585	16	1	22	1	400	430	1000	40	2	44	2
	EVMS(.)3 9/1.5	385	400	585	16	1	22	1	400	430	1000	40	2	44	2
	EVMS(.)3 10/1.5	385	400	585	17	1	23	1	400	430	1000	40	2	45	2
	EVMS(.)3 11/2.2	385	400	585	17	1	23	1	400	430	1000	42	2	47	2
	EVMS(.)3 12/2.2	385	400	585	17	1	23	1	400	430	1000	42	2	47	2
	EVMS(.)3 13/2.2	385	400	770	18	1	24	1	400	430	1000	43	2	48	2
	EVMS(.)3 14/2.2	385	400	770	20	1	24	1	400	430	1000	43	2	48	2
	EVMS(.)3 15/3.0	385	400	770	20	1	25	1	400	430	1000	52	2	56	2
	EVMS(.)3 16/3.0	385	400	770	21	1	26	1	400	430	1200	52	2	57	2
	EVMS(.)3 17/3.0	385	400	770	21	1	26	1	400	430	1200	52	2	57	2
EVMS(.)3 19/3.0	385	400	770	22	1	27	1	400	430	1200	53	2	58	2	
EVMS(.)3 20/3.0	385	400	770	22	1	27	1	400	430	1200	53	2	60	2	
EVMS(.)3 21/4.0	385	400	770	23	1	28	1	400	430	1200	60	2	65	2	
EVMS(.)3 22/4.0	385	400	970	24	1	30	1	400	430	1200	62	2	66	2	
EVMS(.)3 23/4.0	385	400	970	24	1	30	1	400	430	1200	62	2	66	2	
5	EVMS(.)5 2/0.75	385	400	385	13	1	18	1	385	400	770	23	1	30	1
	EVMS(.)5 3/1.1	385	400	585	14	1	20	1	385	400	770	25	1	31	1
	EVMS(.)5 4/1.5	385	400	585	15	1	20	1	385	400	770	30	1	34	1
	EVMS(.)5 5/2.2	385	400	585	16	1	21	1	385	400	770	32	1	37	1
	EVMS(.)5 6/2.2	385	400	585	16	1	21	1	385	400	770	32	1	37	1
	EVMS(.)5 7/3.0	385	400	585	16	1	22	1	400	430	1000	48	2	53	2
	EVMS(.)5 8/3.0	385	400	585	18	1	23	1	400	430	1000	48	2	53	2
	EVMS(.)5 9/3.0	385	400	585	18	1	23	1	400	430	1000	50	2	54	2
	EVMS(.)5 10/4.0	385	400	770	20	1	24	1	400	430	1000	56	2	61	2
	EVMS(.)5 11/4.0	385	400	770	20	1	25	1	400	430	1000	56	2	61	2
	EVMS(.)5 12/4.0	385	400	770	21	1	25	1	400	430	1200	57	2	63	2
	EVMS(.)5 13/5.5	385	400	970	28	1	32	1	400	430	1200	75	2	80	2
	EVMS(.)5 14/5.5	385	400	970	28	1	32	1	400	430	1200	75	2	80	2
	EVMS(.)5 15/5.5	385	400	970	28	1	33	1	500	430	1350	82	2	88	2
	EVMS(.)5 16/5.5	385	400	970	30	1	34	1	500	430	1540	96	2	101	2
	EVMS(.)5 17/7.5	400	430	1000	38	2	43	2	500	430	1540	103	2	108	2
EVMS(.)5 19/7.5	400	430	1000	40	2	44	2	500	430	1540	104	2	109	2	

PACKING DATA EVMS(.)10-15-20

Pump type	Pumps							Pumps with motor ~3							
	Packing [mm]			Weight [kg] + Pack Type				Packing [mm]			Weight [kg] + Pack Type				
	X	Y	Z	EVMS(L)		EVMSG		X	Y	Z	EVMS(L)		EVMSG		
10	EVMS(.)10 1/0,75	385	400	585	23	1	27	1	400	430	800	42	2	45	2
	EVMS(.)10 2/1,5	385	400	585	23	1	27	1	400	430	800	46	2	50	2
	EVMS(.)10 3/2,2	385	400	585	24	1	28	1	400	430	800	50	2	52	2
	EVMS(.)10 4/3,0	385	400	585	25	1	30	1	400	430	1000	57	2	60	2
	EVMS(.)10 5/4,0	385	400	585	26	1	31	1	400	430	1000	64	2	68	2
	EVMS(.)10 6/4,0	385	400	585	27	1	32	1	400	430	1000	65	2	68	2
	EVMS(.)10 7/5,5	400	430	800	44	2	48	2	400	430	1200	83	2	87	2
	EVMS(.)10 8/5,5	400	430	800	46	2	50	2	400	430	1200	85	2	88	2
	EVMS(.)10 9/5,5	400	430	800	46	2	50	2	400	430	1200	85	2	90	2
	EVMS(.)10 10/7,5	400	430	800	47	2	52	2	400	430	1200	93	2	97	2
	EVMS(.)10 11/7,5	400	430	1000	50	2	52	2	400	430	1200	95	2	98	2
	EVMS(.)10 12/7,5	400	430	1000	50	2	53	2	500	430	1540	115	2	118	2
	EVMS(.)10 14/11	400	430	1000	60	2	63	2	500	430	1540	141	2	144	2
EVMS(.)10 15/11	400	430	1000	62	2	64	2	500	430	1540	141	2	144	2	
EVMS(.)10 16/11	400	430	1000	62	2	65	2	500	430	1540	143	2	147	2	
15	EVMS(.)15 1/1,5	385	400	585	22	1	30	1	400	430	800	43	2	52	2
	EVMS(.)15 2/3,0	385	400	585	23	1	31	1	400	430	1000	53	2	62	2
	EVMS(.)15 3/5,5	400	430	800	40	2	47	2	400	430	1000	78	2	87	2
	EVMS(.)15 4/7,5	400	430	800	42	2	50	2	400	430	1000	87	2	95	2
	EVMS(.)15 5/7,5	400	430	800	42	2	50	2	400	430	1200	88	2	96	2
	EVMS(.)15 6/11	400	430	800	42	2	60	2	500	430	1540	133	2	141	2
	EVMS(.)15 7/11	400	430	1000	53	2	62	2	500	430	1540	135	2	145	2
	EVMS(.)15 8/15	400	430	1000	55	2	63	2	500	430	1540	163	2	171	2
	EVMS(.)15 9/15	400	430	1000	56	2	64	2	500	430	1540	164	2	174	2
	EVMS(.)15 10 /15	400	430	1000	57	2	65	2	500	430	1540	165	2	174	2
EVMS(.)15 11/18,5	400	430	1000	60	2	67	2	500	430	1540	182	2	191	2	
EVMS(.)15 12/18,5	400	430	1000	60	2	68	2	500	430	1540	183	2	191	2	
20	EVMS(.)20 1/2,2	385	400	585	21	1	30	1	400	430	800	46	2	54	2
	EVMS(.)20 2/4,0	385	400	585	22	1	31	1	400	430	1000	60	2	68	2
	EVMS(.)20 3/7,5	400	430	800	40	2	48	2	400	430	1200	86	2	94	2
	EVMS(.)20 4/7,5	400	430	800	41	2	50	2	400	430	1200	87	2	95	2
	EVMS(.)20 5/11	400	430	800	50	2	58	2	500	430	1540	132	2	140	2
	EVMS(.)20 6/11	400	430	1000	50	2	58	2	500	430	1540	132	2	140	2
	EVMS(.)20 7/15	400	430	1000	53	2	62	2	500	430	1540	161	2	170	2
	EVMS(.)20 8/15	400	430	1000	55	2	63	2	500	430	1540	163	2	171	2
	EVMS(.)20 9/18,5	400	430	1000	56	2	64	2	500	430	1540	180	2	187	2
	EVMS(.)20 10 /18,5	400	430	1000	57	2	65	2	500	430	1540	181	2	190	2

PACKING DATA EVMS(.)32-45

Pump type	Pumps								Pumps with motor ~3						
	Packing [mm]			Weight [kg] + Pack Type					Packing [mm]			Weight [kg] + Pack Type			
	X	Y	Z	EVMS(L)		EVMSG			X	Y	Z	EVMS(L)		EVMSG	
32	EVMS(.)32 1-1/3.0	420	512	800	59	2	55.6	2	500	612	1000	86.9	2	83.5	2
	EVMS(.)32 1-0/3.0	420	512	800	59	2	55.6	2	500	612	1000	86.9	2	83.5	2
	EVMS(.)32 2-2/5.5	420	512	800	73.1	2	69.6	2	500	612	1200	120	2	116.5	2
	EVMS(.)32 2-1/5.5	420	512	800	73.1	2	69.6	2	500	612	1200	120	2	116.5	2
	EVMS(.)32 2-0/7.5	420	512	800	73.1	2	69.6	2	500	612	1200	127	2	123.5	2
	EVMS(.)32 3-2/11	500	612	1000	88.4	2	84.9	2	500	612	1350	162	2	158.5	2
	EVMS(.)32 3-0/11	500	612	1000	88.4	2	84.9	2	500	612	1350	162	2	158.5	2
	EVMS(.)32 4-2/11	500	612	1000	91.6	2	88.2	2	500	612	1350	165.2	2	161.8	2
	EVMS(.)32 4-0/15	500	612	1000	80.6	2	77.2	2	500	617	1540	194.7	2	191.3	2
	EVMS(.)32 5-2/15	500	612	1000	83.9	2	80.5	2	500	617	1540	198	2	194.6	2
	EVMS(.)32 5-0/15	500	612	1000	83.9	2	80.5	2	500	617	1540	198	2	194.6	2
	EVMS(.)32 6-2/18.5	500	612	1200	93	2	89.6	2	500	617	1540	213.3	2	209.9	2
	EVMS(.)32 6-0/18.5	500	612	1200	93	2	89.6	2	500	617	1540	213.3	2	209.9	2
	EVMS(.)32 7-2/22	500	612	1200	93	2	89.9	2	610	617	1750	247.5	2	244.1	2
	EVMS(.)32 7-0/22	500	612	1200	93	2	89.9	2	610	617	1750	247.5	2	244.1	2
	EVMS(.)32 8-2/22	500	612	1200	98.3	2	94.8	2	610	617	1750	252.5	2	249	2
	EVMS(.)32 8-0/30	500	612	1200	90.6	2	87.2	2	610	617	1750	277.8	2	274.4	2
	EVMS(.)32 9-2/30	500	612	1350	94.1	2	99.2	2	720	715	1970	312.5	3	309.1	3
EVMS(.)32 9-0/30	500	612	1350	94.1	2	99.2	2	720	715	1970	312.5	3	309.1	3	
EVMS(.)32 10-0/30	500	612	1350	97.5	2	102.6	2	720	715	1970	315.9	3	312.5	3	
45	EVMS(.)45 1-1/5.5	420	512	800	86	2	80.8	2	500	612	1200	132.9	2	127.7	2
	EVMS(.)45 1-0/7.5	420	512	800	86	2	80.8	2	500	612	1200	139.9	2	134.7	2
	EVMS(.)45 2-2/11	500	612	1000	103.6	2	98.4	2	500	612	1350	177.2	2	172	2
	EVMS(.)45 2-1/11	500	612	1000	103.6	2	98.5	2	500	612	1350	177.2	2	172.1	2
	EVMS(.)45 2-0/15	500	612	1000	92.6	2	87.5	2	500	612	1350	204.7	2	199.6	2
	EVMS(.)45 3-2/15	500	612	1000	97.6	2	92.5	2	500	612	1540	211.7	2	206.6	2
	EVMS(.)45 3-1/18.5	500	612	1000	101.8	2	96.7	2	500	612	1540	223.9	2	218.8	2
	EVMS(.)45 3-0/18.5	500	612	1000	101.8	2	96.7	2	500	612	1540	223.9	2	218.8	2
	EVMS(.)45 4-2/22	500	612	1000	103.9	2	98.8	2	500	612	1540	252	2	246.9	2
	EVMS(.)45 4-1/30	500	612	1000	96.2	2	91.1	2	500	612	1540	277.3	2	272.2	2
	EVMS(.)45 4-0/30	500	612	1000	96.2	2	91.1	2	500	612	1540	277.3	2	272.2	2
	EVMS(.)45 5-2/30	500	612	1200	103.3	2	98.2	2	610	617	1750	290.5	2	285.4	2
	EVMS(.)45 5-1/30	500	612	1200	103.3	2	98.2	2	610	617	1750	290.5	2	285.4	2
	EVMS(.)45 5-0/37	500	612	1200	133.3	2	128.2	2	720	715	1970	443.7	3	438.6	3
	EVMS(.)45 6-2/37	500	612	1200	140.1	2	135	2	720	715	1970	450.5	3	445.4	3
	EVMS(.)45 6-1/37	500	612	1200	140.1	2	135	2	720	715	1970	450.5	3	445.4	3
	EVMS(.)45 6-0/37	500	612	1200	140.1	2	135	2	720	715	1970	450.5	3	445.4	3
	EVMS(.)45 7-2/45	500	612	1200	156.9	2	151.8	2	720	715	2170	587.3	3	582.2	3
EVMS(.)45 7-1/45	500	612	1200	156.9	2	151.8	2	720	715	2170	587.3	3	582.2	3	
EVMS(.)45 7-0/45	500	612	1200	156.9	2	151.8	2	720	715	2170	587.3	3	582.2	3	

PACKING DATA EVMS(.)64-90

Pump type	Pumps							Pumps with motor ~3							
	Packing [mm]			Weight [kg] + Pack Type				Packing [mm]			Weight [kg] + Pack Type				
	X	Y	Z	EVMS(L)		EVMSG		X	Y	Z	EVMS(L)		EVMSG		
64	EVMS(.)64 1-1/7,5	420	512	800	87.7	2	85	2	500	612	1200	141.6	2	138.9	2
	EVMS(.)64 1-0/11	420	512	800	94.8	2	92.1	2	500	612	1200	165.2	2	162.5	2
	EVMS(.)64 2-2/15	420	512	800	88.9	2	86.3	2	500	612	1350	206.5	2	203.9	2
	EVMS(.)64 2-1/18,5	420	512	800	93	2	90.5	2	500	612	1350	218.6	2	216.1	2
	EVMS(.)64 2-0/18,5	420	512	800	93	2	90.5	2	500	612	1350	218.6	2	216.1	2
	EVMS(.)64 3-2/22	500	612	1000	100.6	2	98.2	2	500	617	1540	248.7	2	246.3	2
	EVMS(.)64 3-1/30	500	612	1000	93	2	90.6	2	500	617	1540	274.1	2	271.7	2
	EVMS(.)64 3-0/30	500	612	1000	93	2	90.6	2	500	617	1540	274.1	2	271.7	2
	EVMS(.)64 4-2/37	500	612	1000	138	2	137.3	2	720	715	1970	450.2	3	449.5	3
	EVMS(.)64 4-1/37	500	612	1000	138	2	137.3	2	720	715	1970	450.2	3	449.5	3
	EVMS(.)64 4-0/37	500	612	1000	138	2	137.3	2	720	715	1970	450.2	3	449.5	3
	EVMS(.)64 5-2/45	500	612	1200	156.4	2	155.9	2	720	715	1970	580.8	3	580.3	3
EVMS(.)64 5-1/45	500	612	1200	156.4	2	155.9	2	720	715	1970	580.8	3	580.3	3	
EVMS(.)64 5-0/45	500	612	1200	156.4	2	155.9	2	720	715	1970	580.8	3	580.3	3	
90	EVMS(.)90 1-1/11	420	512	800	95	2	92.2	2	500	612	1200	165.4	2	162.6	2
	EVMS(.)90 1-0/15	420	512	800	84.1	2	81.2	2	500	612	1350	201.7	2	198.8	2
	EVMS(.)90 2-2/18,5	500	612	1000	102	2	99.2	2	500	612	1350	222.1	2	219.3	2
	EVMS(.)90 2-1/22	500	612	1000	99	2	96.2	2	500	617	1540	247.1	2	244.3	2
	EVMS(.)90 2-0/30	500	612	1000	91.4	2	88.5	2	500	617	1540	272.5	2	269.6	2
	EVMS(.)90 3-2/37	500	612	1000	123.8	2	120.9	2	720	715	1970	436	3	433.1	3
	EVMS(.)90 3-1/37	500	612	1000	123.8	2	120.9	2	720	715	1970	436	3	433.1	3
	EVMS(.)90 3-0/37	500	612	1000	123.8	2	120.9	2	720	715	1970	436	3	433.1	3
EVMS(.)90 4-2/45	500	612	1200	146.1	2	139.9	2	720	715	1970	570.5	3	564.3	3	

GENERAL

Various regulatory authorities in many countries have introduced or are planning legislation to encourage the manufacture and use of higher efficiency motors, as part of a concerted effort worldwide to reduce energy consumption. Indeed, the International Electrotechnical Commission (IEC) has introduced a new standards relating to energy efficient motors. **IEC 60034-30** defines new efficiency classes for motors and harmonizes the currently different requirements for induction motor efficiency levels around the world.

		MOTOR	
Power Source	Frequency	60 Hz	
	Phase	Three Phase	
	Power rating	0.37 ÷ 4.0 kW 0.5 ÷ 5.5 HP	5.5 ÷ 45 kW 7.5 ÷ 60 HP
	Voltage	460V ± 10% 220/380V +10% / -5%	460V ± 10% 380/660V +10% / -5%
Type	Type	IC411 - TEFC	
	Efficiency Level	- : from 0.37 kW up to 0.55 kW IE3 : for 0.75 kW and from 4.0 kW up to 11 kW IE3* : from 1.1 kW up to 3.0 kW and above 15 kW	
	No° of poles	2	
	Protection degree	IP55 : up to 11 kW IP56 : above 15 kW	
	Insulation Class	F (temperature rise class B)	
Others	Thermal Protection	PTC sensor pre-installed for motors of 1.5 kW and above	
	Casing Material	Aluminium : up to 30 kW Cast Iron : above 37 kW	
	Flange mount (IEC motor)	IM B14 : up to 4.0 kW	IM B5 : above 5.5 kW
	Terminal Box fixing	Unlosable screw and sealing from 0.75 kW to 45 kW	

* : only for 460V

NOISE DATA

Motor Size	Power		Noise LpA - dB(A) *
	[kW]	[HP]	
71	0,4	0,5	57
	0,6	0,8	
80	0,8	1	57
	1,1	1,5	
90	1,5	2	65
	2,2	3	
100	3,0	4	67
112	4,0	5,5	71
132	5,5	7,5	73
	7,5	10	
160	11	15	78
160	15	20	75
	18,5	25	
180	22	30	74
200	30	40	75
	37	50	77
225	45	60	79

* Noise values were measured with a tolerance of ± 2.5 dB (A).

TECHNICAL MOTOR DATA EVMS 1-3-5-10-15-20-32-45-64-90

Three Phase Motor at 60Hz, 2 poles

Motor Size	Power		Efficiency	Load efficiency and power-factor (460V)				Full load current [A]				Locked rotor current [A]			
	[kW]	[HP]		50%	η % 75%	100%	$\cos-\phi$ 100%	220V	380V	460V	660V	220V	380V	460V	660V
71	0.37	0.5	-	58.0	63.4	67.2	0.8	1.7	1.0	0.9	-	8.0	4.6	5.6	-
	0.55	0.75	-	72.2	76.7	77.9	0.8	2.1	1.2	1.2	-	12.4	7.2	8.7	-
80	0.75	1	IE3	77.4	81.9	83.1	0.7	2.8	1.6	1.5	-	16.9	9.7	11.8	-
	1.1	1.5	IE3*	82.4	84.2	84.5	0.8	4.0	2.3	2.2	-	24.6	14.2	17.2	-
90	1.5	2	IE3*	83.2	84.7	85.7	0.8	5.3	3.1	2.9	-	36.3	21.0	25.4	-
	2.2	3	IE3*	86.9	87.8	87.4	0.8	7.5	4.3	4.1	-	51.5	29.7	36.0	-
100	3.0	4	IE3*	87.0	87.9	88.5	0.8	10.2	5.9	5.6	-	72.4	41.8	50.6	-
112	4.0	5.5	IE3	88.7	88.9	88.5	0.8	13.5	7.8	7.6	-	107.1	61.8	74.9	-
132	5.5	7.5	IE3	88.7	90.5	91.0	0.9	-	10.1	8.9	5.8	-	94.5	114.3	66.0
	7.5	10	IE3	88.1	90.3	90.8	0.9	-	13.6	11.9	7.8	-	118.0	143.0	82.6
160	11	15	IE3	88.9	91.4	91.3	0.8	-	20.3	18.5	11.7	-	153.0	185.0	106.8
160	15	20	IE3*	90.7	91.2	91	0.9	-	27.5	23.2	15.9	-	176	213	102
160	18.5	25	IE3*	90.4	91.3	91.7	0.9	-	33.7	28.7	19.4	-	251	304	145
180	22	30	IE3*	91.5	91.9	91.7	0.9	-	39.6	33.8	22.9	-	270	327	156
200	30	40	IE3*	92	92.4	92.4	0.9	-	53.1	44.8	30.6	-	352	426	203
200	37	50	IE3*	91	92.5	93	0.9	-	66.8	56.1	38.6	-	440	533	254
225	45	60	IE3*	92	93.1	93.6	0.9	-	79.9	67.0	46.1	-	470	570	272

♦ MOTOR DATA ETM
* ONLY FOR 460V

60 Hz

VERTICAL MULTISTAGE PUMPS

NOTE

VERTICAL MULTISTAGE PUMPS

60 Hz

NOTE

60 Hz

VERTICAL MULTISTAGE PUMPS

NOTE



EBARA Pumps Europe S.p.A.

Via Torri di Confine 2/1 int. C
36053 Gambellara (Vicenza), Italy
Tel. +39 0444 706811
Fax +39 0444 405811
ebara_pumps@ebaraeurope.com
www.ebaraeurope.com

EBARA Corporation

11-1, Haneda Asahi-cho, Ohta-ku,
Tokyo 144-8510
Japan
Tel +81 3 6275 7598
Fax +81 3 5736 3193
www.ebara.com

