




**EBARA**



	Page
<b>- SPECIFICATIONS<sup>①</sup></b>	<b>200</b>
PERFORMANCE RANGE and SELECTION CHART	201
TYPE KEY and CURVES SPECIFICATIONS	202
PERFORMANCE CURVES	203
<b>- CONSTRUCTIONS</b>	<b>300</b>
SECTIONAL VIEW DRAWING	300
SECTIONAL VIEW TABLE	301
BEARINGS	302
MECHANICAL SEAL	302
<b>- DIMENSIONS and WEIGHT</b>	<b>400</b>
PUMP	400
PACKING	401
<b>- TECHNICAL DATA</b>	<b>500</b>
MOTOR DATA	500
<b>- INSTALLATION</b>	<b>600</b>
<b>- OPTIONAL</b>	<b>700</b>
MINIMUM SUCTION SYSTEM	700

① click INDEX to jump CORRESPONDING SECTION

② click  to go back to INDEX

## SPECIFICATIONS

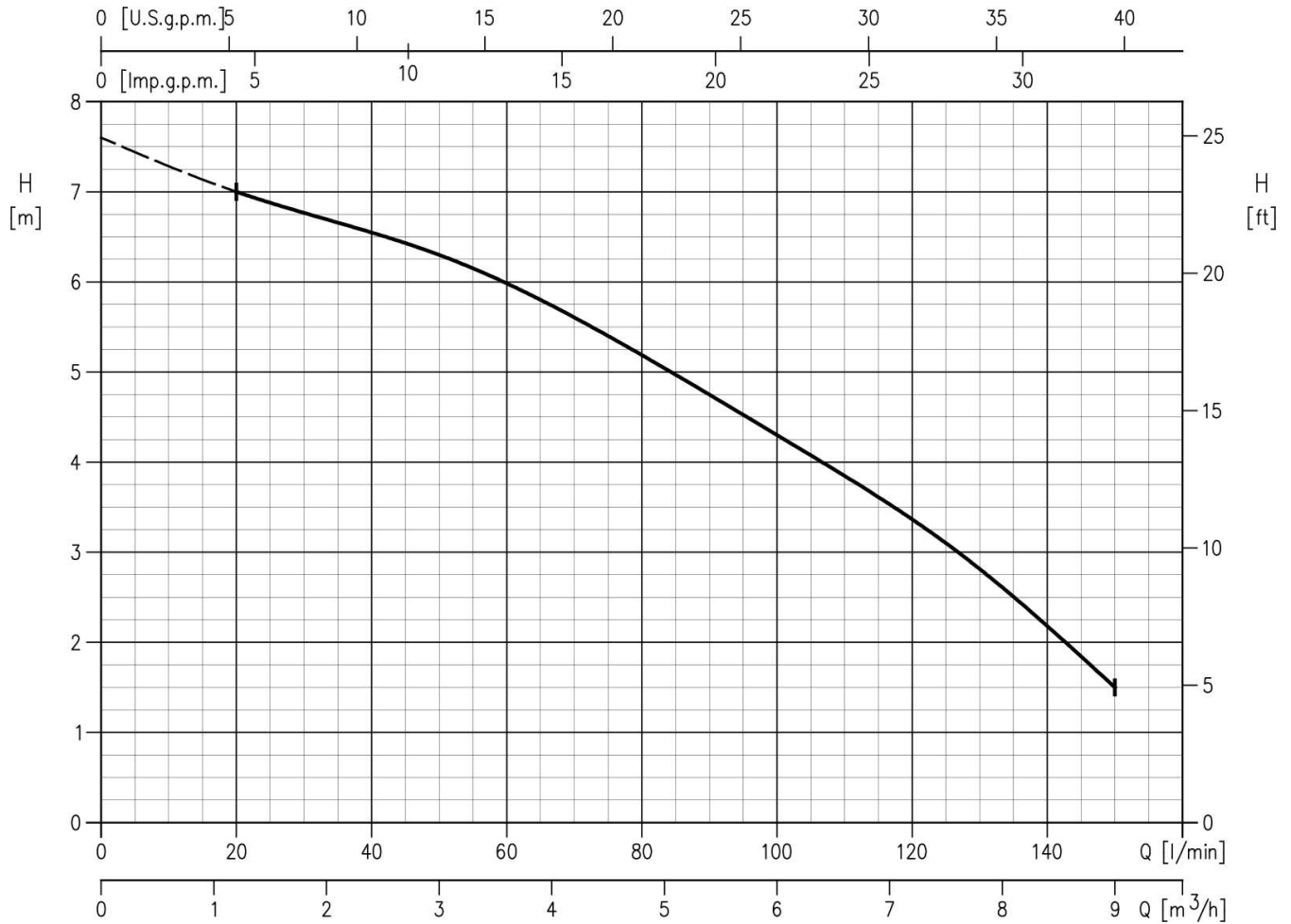
60Hz

Rev. G

PUMP		
Liquid Handled	Type of liquid	Clear water (Clean water for MS version)
	Max temperature [°C]	50
	Max solids size [mm]	10
Maximum immersion	[m]	2 (with power cable length 5 m) 5 (with power cable length 10 m)
Construction	Impeller	Semi-open centrifugal type
	Shaft seal type	Oil lubricated mechanical seal (pump side) + lip seal (motor side)
	Bearing	Sealed ball bearing
Pipe Connection	Suction	Strainer
	Discharge nozzle [inch]	G1½": UNI ISO 228
Material	Pump casing	AISI 304
	Impeller	PPE+PS glass fiber reinforced
	Shaft seal	Mechanical seal: Ceramic/Carbon/NBR Lip seal: NBR
	Casing cover	AISI 304
	Shaft	AISI 303 + AISI 303 ceramic coated shaft sleeve
	Lubricating liquid	White mineral oil: Esso Marcol 152
Applicable standard of test		ISO 9006:2012 - Grade 3B

MOTOR		
Type	Submersible dry type Single Phase	
No. of Poles	2	
Rotation speed [min <sup>-1</sup> ]	≈ 3400	
Insulation Class	F	
Protection degree	IP 68	
Power rating	[kW]	0.25
	[HP]	0.33
Frequency [Hz]	60	
Voltage [V]	110-115 ±6%	
	220-230 ±6%	
Capacitor	Built in	
Over load protection	Built in	
Casing material	AISI 304	
Switch	float	MA version (no maintenance required)
	magnetic	MS version (maintenance required)
Float/magnetic switch cable	material	H07RN-F
	size	3G1
	length [m]	5 (only for internal usage); 10
Power cable	material	H05RN-F
	size	3G0.75
Cable entry	Cable Gland	

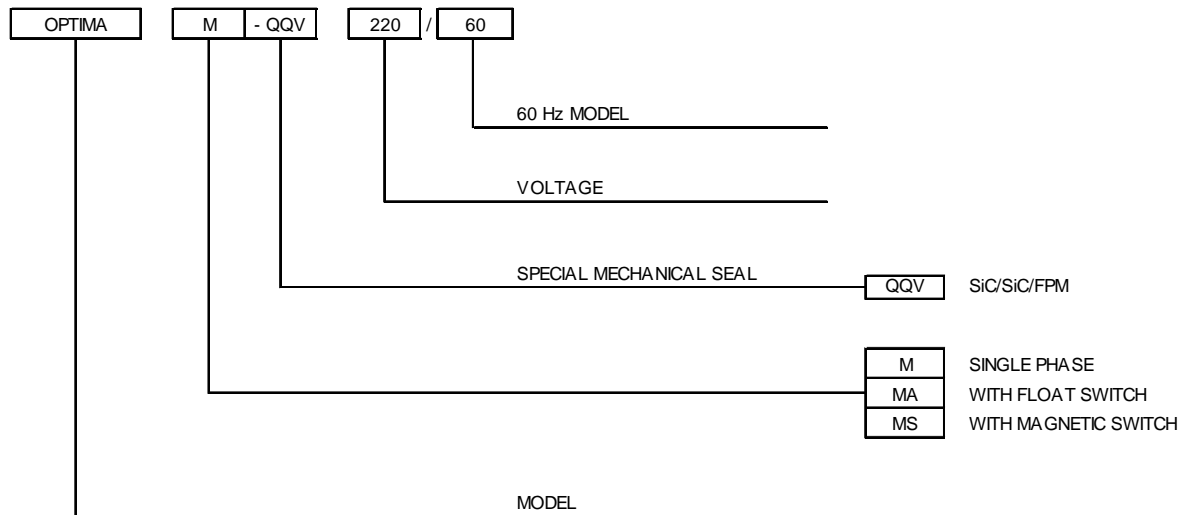
**PERFORMANCE RANGE**



**SELECTION CHART**

Type pumps	Power		Q=Capacity							
			l/min	0	20	50	75	100	125	150
Single Phase	[kW]	[HP]	m³/h	0	1,2	3	4,5	6	7,5	9
H=Total manometric head in meters										
OPTIMA M	0,25	0,33		7,6	7,0	6,3	5,4	4,3	3,1	1,5

**TYPE KEY**



**CURVES SPECIFICATIONS**

The specifications below qualify the curves shown on the following pages.

Tolerances according to ISO 9006:2012 - Grade 3B

The curves refer to effective speed of asynchronous motors at 60 Hz, 2 poles.

Measurements were carried out with clean water at 20°C of temperature and with a kinematic viscosity of  $\nu = 1 \text{ mm}^2/\text{s}$  (1 cSt)

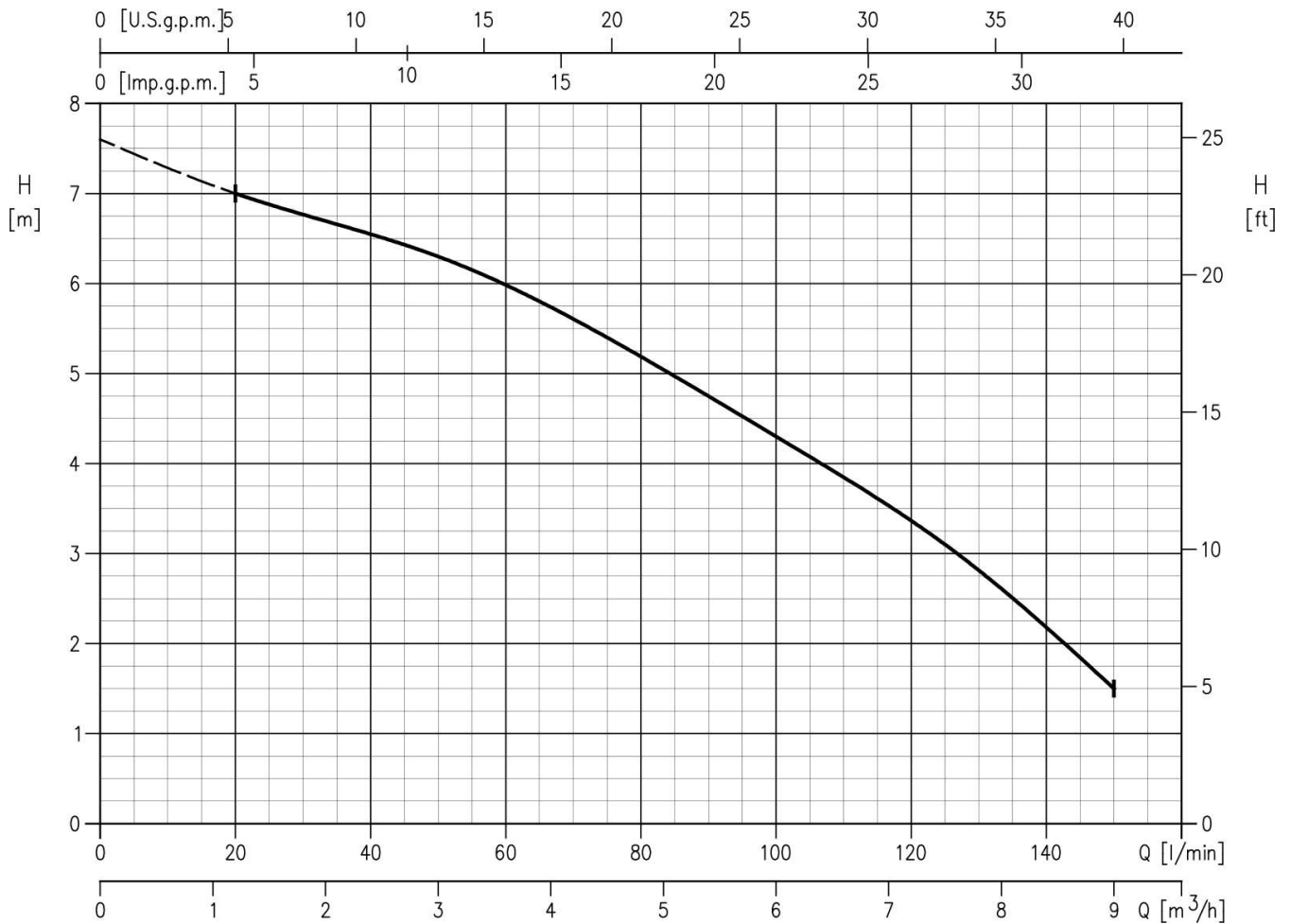
The continuous curves indicate the recommended working range. The dotted curve is only a guide.

In order to avoid the risk of over-heating, the pumps should not be used at a flow rate below 10% of best efficiency point.

Symbols explanation:

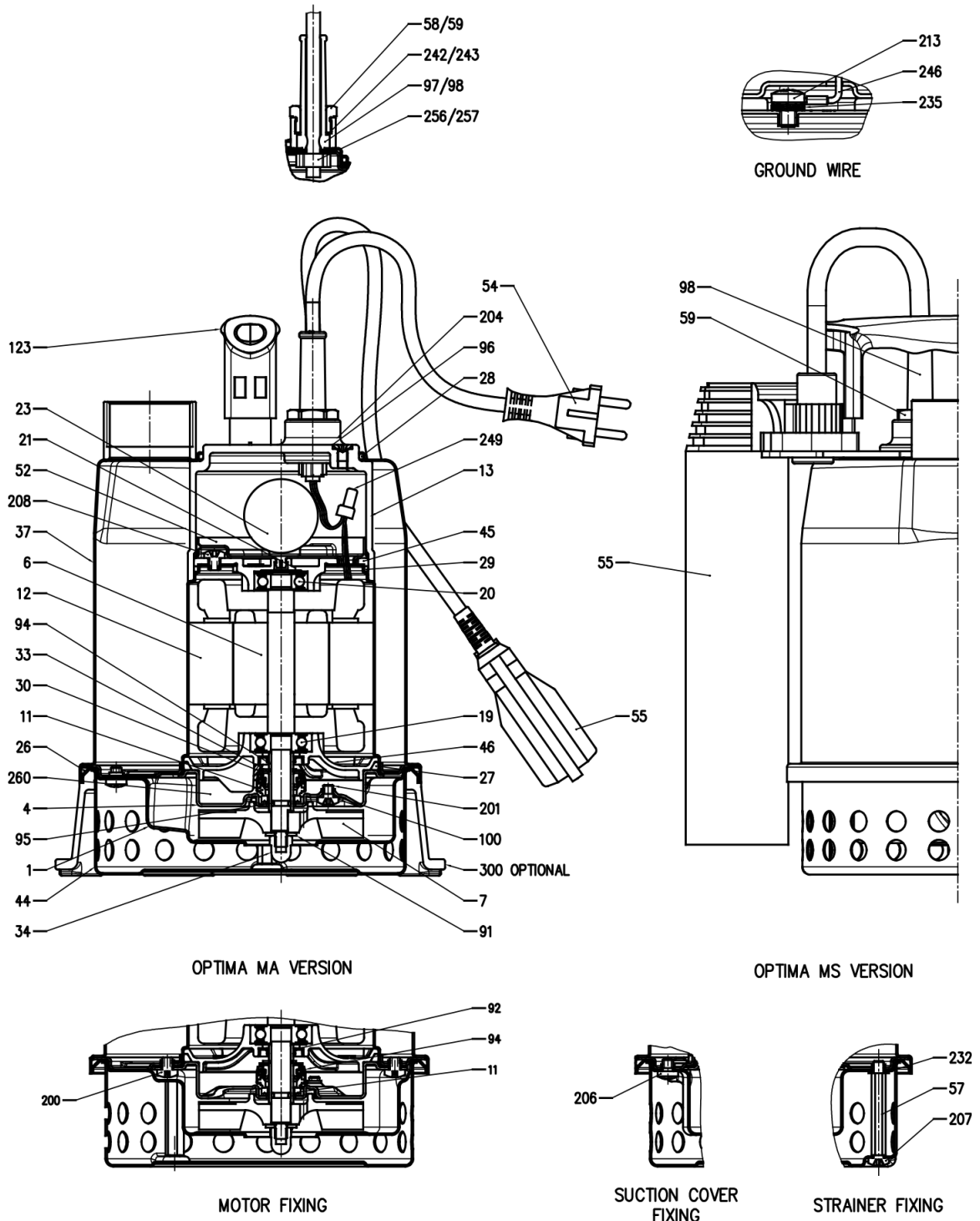
- Q = volume flow rate
- H = total head

**OPTIMA M (0.25 kW) – impeller diameter = 69 mm**



Rotation speed:  $\approx 3400 \text{ min}^{-1}$   
 Test standard: ISO 9006:2012 - Grade 3B

SECTIONAL VIEW DRAWING



SECTIONAL VIEW TABLE

N°	PART NAME	MATERIAL	DIMENSIONS	STANDARD	Q.TY
1	Suction cover	EN 14301 (AISI 304)	-	-	1
4	Casing cover	EN 14301 (AISI 304)	-	-	1
6	Shaft with rotor	EN 1.4305 (AISI 303)	-	-	1
7	Impeller	PPE+PS glass fibre reinforced	-	-	1
11	Mechanical seal [1]	-	-	-	1
12	Motor frame with stator	EN 14301 (AISI 304)	-	-	1
13	Motor cover	PP-GF30 class V-0	-	-	1
19	Lower ball bearing	-	-	-	1
20	Upper ball bearing	-	-	-	1
21	Adjusting ring	-	-	-	1
23	Capacitor	-	-	-	1
26	O-ring	NBR	159,5x3	-	1
27	O-ring	NBR	88,5x3,53	-	1
28	O-ring	NBR	75,87x2,62	-	1
29	O-ring	NBR	75,87x2,62	-	1
30	Washer	EN 14301 (AISI 304)	12x21x1	-	1
33	Seeger ring	Carbon steel TC80	12	UNI 7435	1
34	Impeller nut	A2 - 70 UNI 7323	M6	UNI 5721	1
37	Outer casing	EN 14301 (AISI 304)	-	-	1
44	Strainer	EN 14301 (AISI 304)	-	-	1
45	Upper bearing housing	EN 1706 AC-46000 D	-	-	1
46	Lower bearing housing	EN 1706 AC-46000 D	-	-	1
52	Terminal insulating base	PA6 class V-0	-	-	1
54	Power cable	-	-	-	1
55	Switch [2] [3]	-	-	-	1
57	Spacer	EN 14301 (AISI 304)	-	-	2
58	Power cable connector	PA66-GF30	-	-	1
59	Switch cable connector [2]	PA66-GF30	-	-	1
91	Washer	EN 14301 (AISI 304)	-	-	1
92	Lip seal	NBR	22x12x4	-	1
94	Shaft sleeve	EN 1.4305 (AISI 303) ceramic coated	-	-	1
95	O-ring	NBR	6,07x1,78	-	1
96	O-ring	NBR	4,48x1,78	-	1
97	Power cable boot	NBR	-	-	1
98	Switch cable boot [2]	NBR	-	-	1
100	O-ring	NBR	4,48x1,78	-	1
123	Handle	PP	-	-	1
200	Screw	A2 - 70 UNI 7323	M5x6	UNI 7687	4
201	Screw	A2 - 70 UNI 7323	M5x6	UNI 7687	1
204	Screw	A2 - 70 UNI 7323	M5x6	UNI 7687	1
206	Screw	A2 - 70 UNI 7323	M5x6	UNI 7687	3
207	Screw	A2 - 70 UNI 7323	M5x6	UNI 7687	2
208	Screw	A2 - 70 UNI 7323	M5x6	UNI 7687	3
213	Screw	A2 - 70 UNI 7323	M4x6	UNI 7687	1
232	Washer	PA6	5,5x10x1	-	2
235	Washer	Zinked Steel	4	UNI 8842	1
242	Washer	EN 14301 (AISI 304)	13,4x15,9x1	-	1
243	Washer [2]	EN 14301 (AISI 304)	13,4x15,9x1	-	1
246	Ground wire	-	-	-	1
249	Cap terminal	-	-	-	4
256	Cable holder	-	-	-	1
257	Cable holder [2]	-	-	-	1
260	Oil	Esso Marcol 152	-	-	40 cc
300	Minimum suction system [4]	Thermoplastic elastomer vulcanizate	-	-	-

[1] See **MECHANICAL SEAL** page 302  
 [3] Floating or magnetic switch

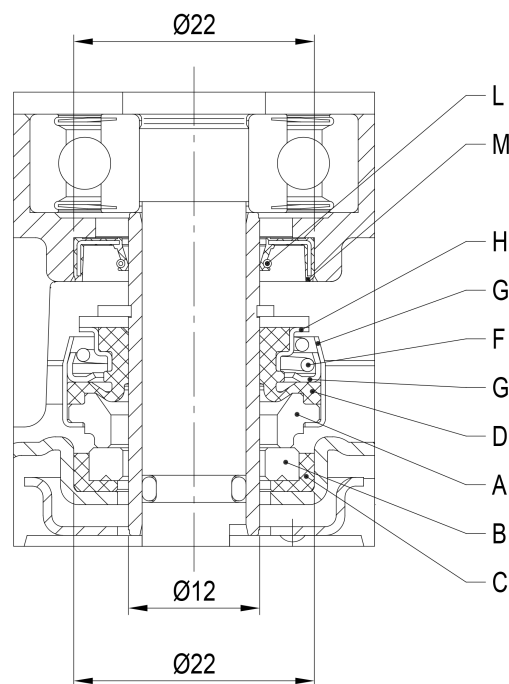
[2] Only for automatic version  
 [4] See **OPTIONAL** page 700



**BEARINGS**

Pump Type	Ball Bearing	
	Lower side	Upper side
OPTIMA M	6200 ZZ C3	6000 ZZ C3

**MECHANICAL SEAL**

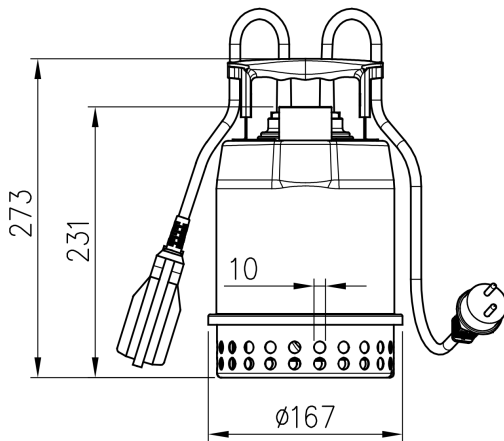


REF	PART NAME	MATERIAL	
		Standard version	Optional
A	Rotary seal ring	Carbon graphite	SiC
B	Stationary seal ring	Ceramic	SiC - Q6 (*)
C	Gasket	NBR	FPM
D	Bellows	NBR	FPM
F	Self driving spring	EN 1.4301 (AISI 304)	
G	Frame	EN 1.4301 (AISI 304)	
H	Retainer ring	EN 1.4301 (AISI 304)	
L	Spring	EN 1.4318 (AISI 302)	
M	Lip	NBR	

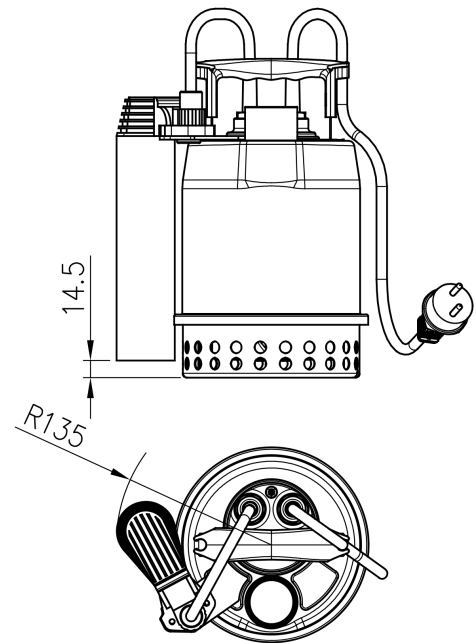
(\*) Special grade of SiC with microporosities filled with graphite

PUMP

OPTIMA MA

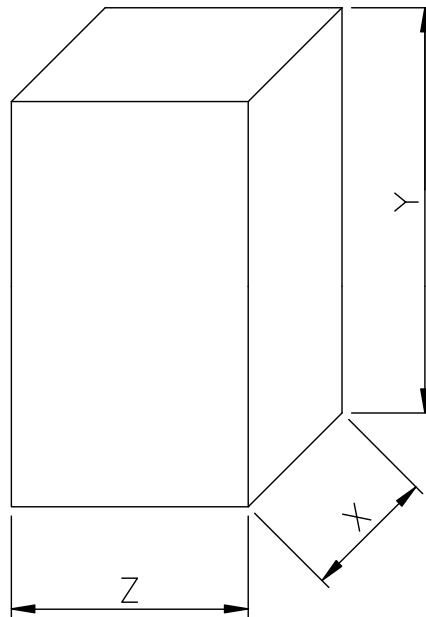


OPTIMA MS



Pump Type	Weight [kgf]
OPTIMA M	4,2
OPTIMA MA	4,4
OPTIMA MS	4,6

**PACKING**



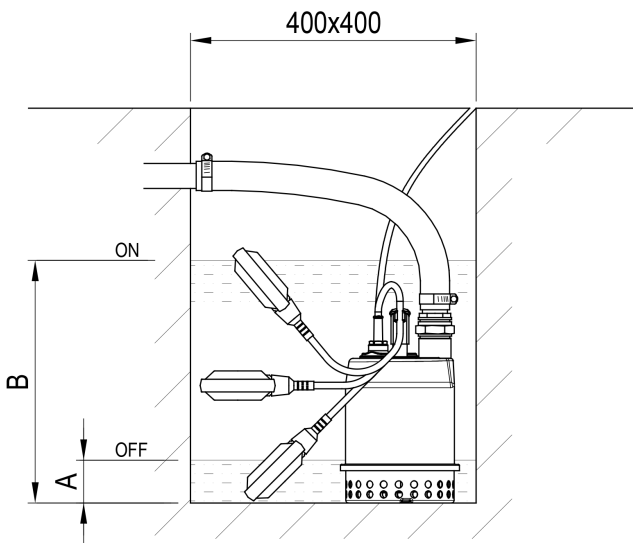
Pump Type	Dimensions [mm]			Weight [kgf]
	X	Y	Z	
OPTIMA M	180	330	220	4,7
OPTIMA MA				4,9
OPTIMA MS				5,1

**MOTOR DATA**

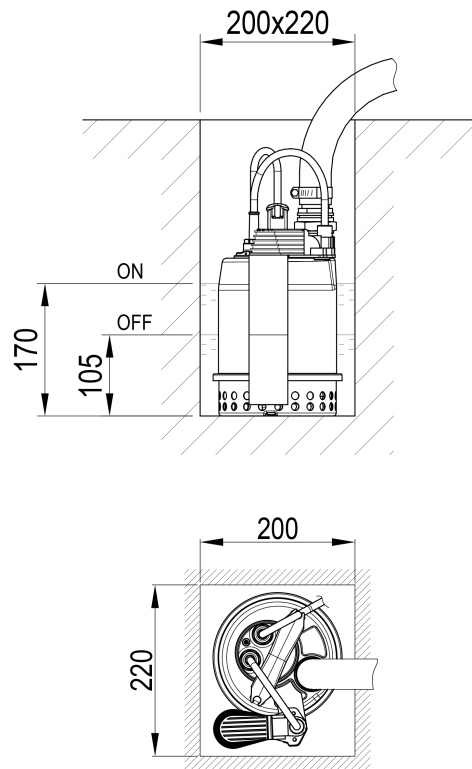
Pump type	Power		Capacitor				Input [kW]		Full load current [A]		Locked rotor current [A]	
	[kW]	[HP]	110-115 V ∇ F	250 V	220-230 V ∇ F	450 V	110-115 V	220-230 V	110-115 V	220-230 V	110-115 V	220-230 V
OPTIMA M	0.25	0.33	20	250	6.3	450	0.42	0.43	4.2	2.1	11.9	6.0

INSTALLATION

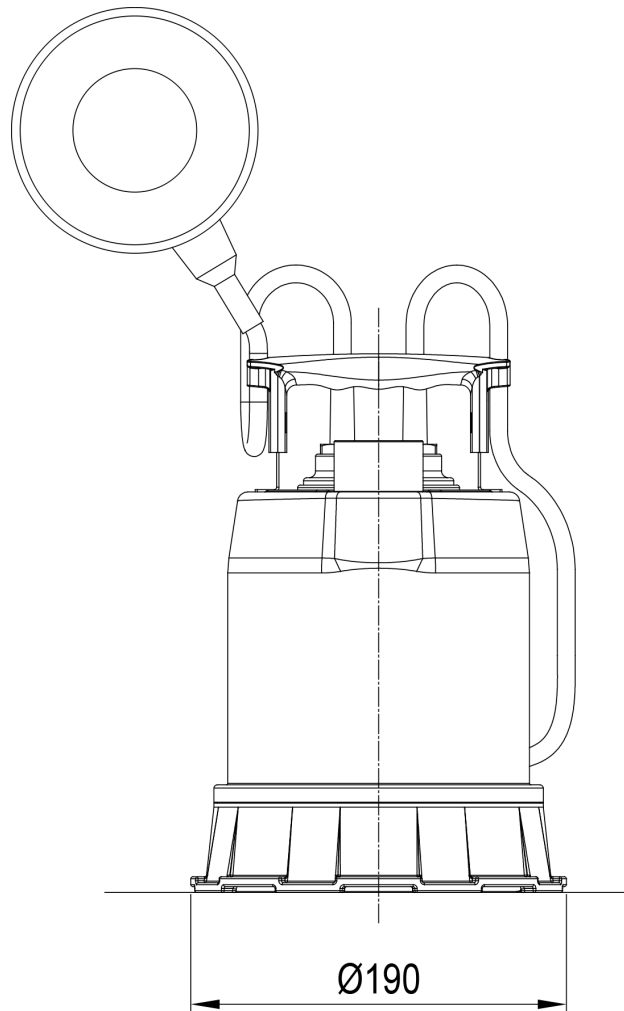
OPTIMA MA



OPTIMA MS



**MINIMUM SUCTION SYSTEM**



LEVEL	
Minimum starting suction level	10 mm
Minimum suction level capability	3 mm

COMPATIBILITY			
Type pumps	Version		
	M	MA	MS
Optima	✓	✓	✗