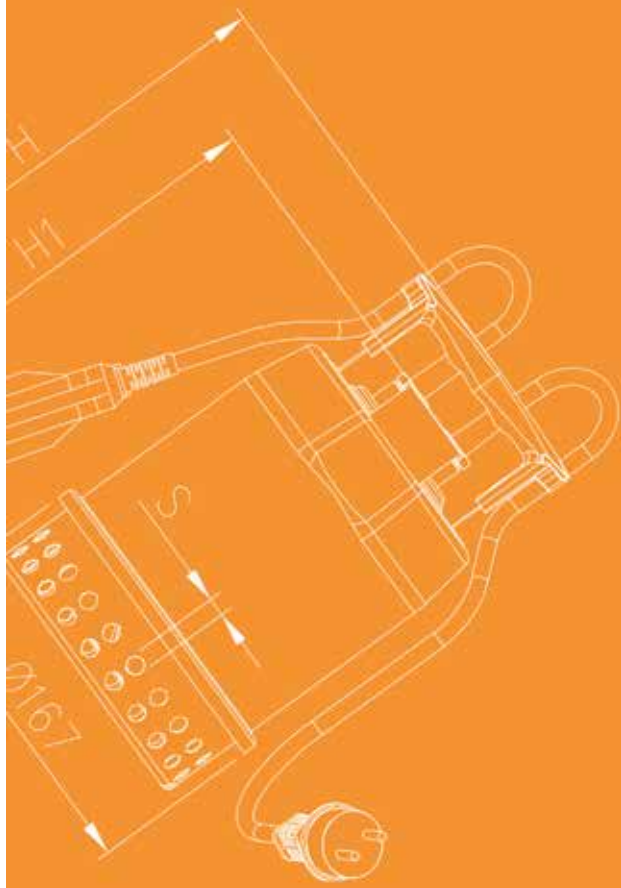




Japanese Technology since 1912

# BEST ONE

Data Book 60Hz



	Page
<b>- SPECIFICATIONS</b>	<b>200</b>
PERFORMANCE RANGE and SELECTION CHART	201
TYPE KEY and CURVES SPECIFICATIONS	202
PERFORMANCE CURVES BEST ONE	203
PERFORMANCE CURVES BEST ONE VOX	204
<b>- CONSTRUCTIONS</b>	<b>300</b>
SECTIONAL VIEW DRAWING	300
SECTIONAL VIEW TABLE	301
MECHANICAL SEAL	302
BEARINGS	302
<b>- DIMENSIONS and WEIGHT</b>	<b>400</b>
PUMP	400
PACKING	401
<b>- TECHNICAL DATA</b>	<b>500</b>
MOTOR DATA	500
<b>- INSTALLATION</b>	<b>600</b>
<b>- OPTIONAL</b>	<b>700</b>
MINIMUM SUCTION SYSTEM	700

## SPECIFICATIONS

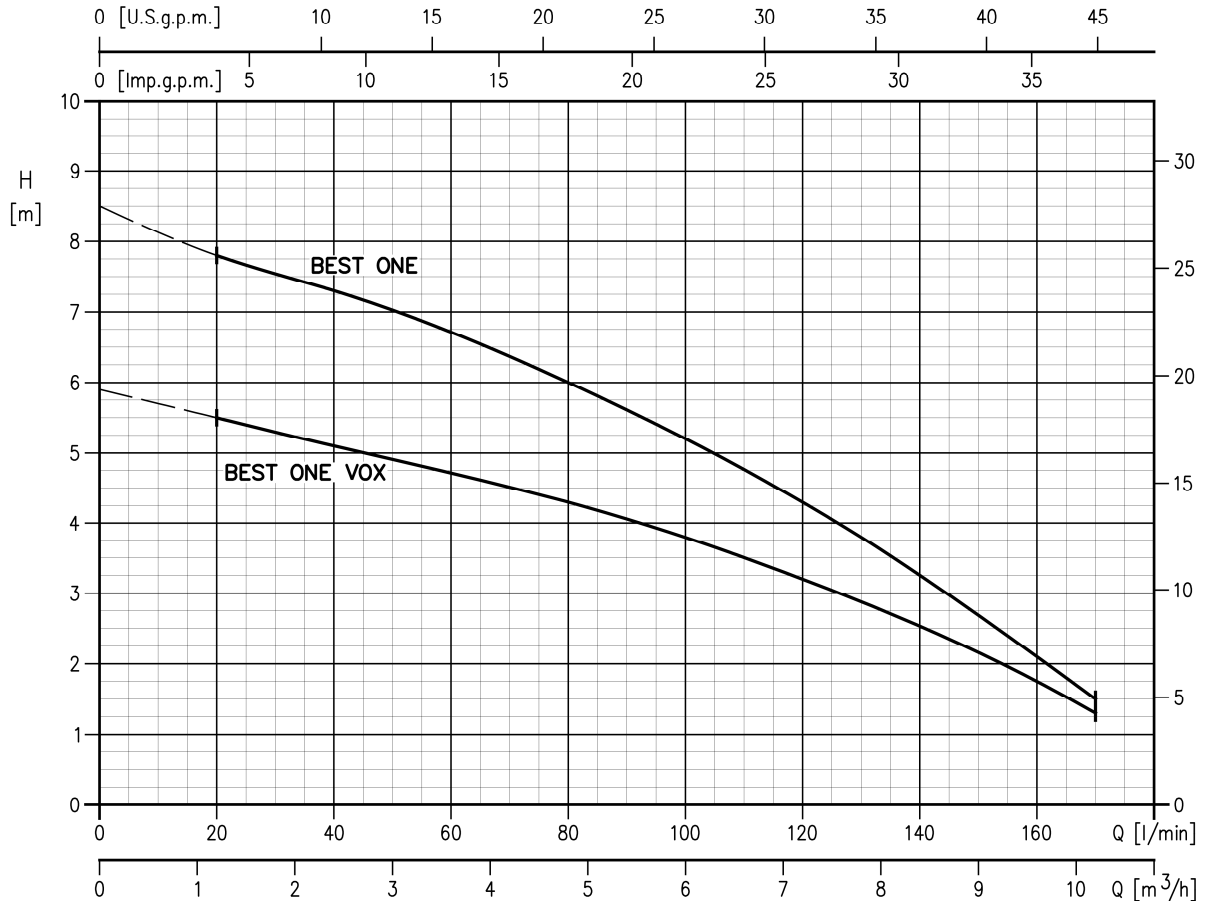
60Hz

Rev. H

PUMP		
Liquid Handled	Type of liquid	Clear water (Clean water for MS version)
	Max temperature [°C]	50
	Max solids size [mm]	10 20 (for VOX version)
Maximum immersion [m]		2 (with power cable length 5 m) 5 (with power cable length 10 m)
Construction	Impeller	Semi-open centrifugal type (BEST ONE) Vortex type (BEST ONE VOX)
	Shaft seal type	Oil lubricated mechanical seal (pump side) + lip seal (motor side)
	Bearing	Sealed ball bearing
Pipe Connection	Suction	Strainer
	Discharge nozzle [inch]	G1¼": UNI ISO 228
Material	Pump casing	AISI 304
	Impeller	AISI 304
	Shaft seal	Mechanical seal: Ceramic/Carbon/NBR Lip seal: NBR
	Casing cover	AISI 304
	Shaft	AISI 303 + AISI 303 ceramic coated shaft sleeve
	Lubricating liquid	White mineral oil: Esso Marcol 152
Applicable standard of test		ISO 9006:2012 - Grade 3B

MOTOR			
Type	Submersible dry type		
	Single Phase	Three Phase	
No. of Poles	2		
Rotation speed [min <sup>-1</sup> ]	≈3400		
Insulation Class	F		
Protection degree	IP X8		
Power rating	[kW]	0.25	
	[HP]	0.33	
Frequency [Hz]	60		
Voltage [V]	110-115 ±6% 220-230 ±6%	380 -6% +10%	
	Capacitor	Built in	-
Over load protection	Built in	-	
Casing material	AISI 304		
Switch	float	MA version (no maintenance required)	-
	magnetic	MS version (maintenance required)	-
Float/magnetic switch cable	material	H07RN-F	-
	size	3G1	-
Power cable	length [m]	5 (only for internal usage); 10	
	material	H05RN-F	H07RN-F
	size	3G0.75	4G1
Cable entry	Cable Gland		

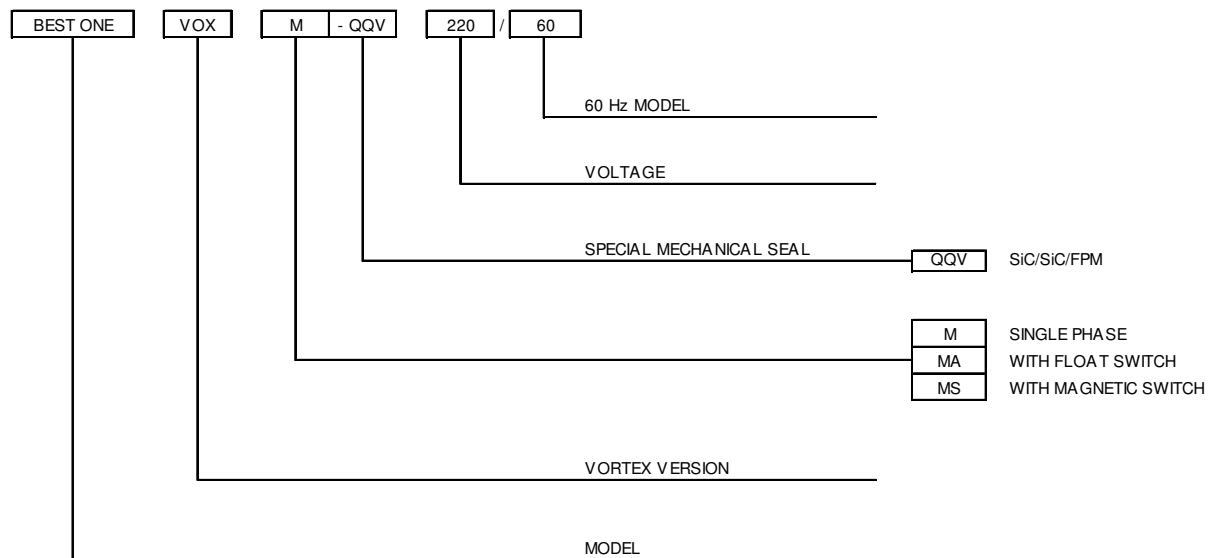
**PERFORMANCE RANGE**



**SELECTION CHART**

Type pumps		Power		Q=Capacity							
Single Phase	Three Phase	[kW]	[HP]	l/min	0	20	40	80	120	160	170
				m³/h	0	1,2	2,4	4,8	7,2	9,6	10,2
H=Total manometric head in meters											
BEST ONE M	BEST ONE	0,25	0,33	8,5	7,8	7,3	6,0	4,3	2,1	1,5	
BEST ONE VOX M	BEST ONE VOX	0,25	0,33	5,9	5,5	5,1	4,3	3,2	1,8	1,3	

**TYPE KEY**



**CURVES SPECIFICATIONS**

The specifications below qualify the curves shown on the following pages.

Tolerances according to ISO 9006:2012 - Grade 3B

The curves refer to effective speed of asynchronous motors at 60 Hz, 2 poles.

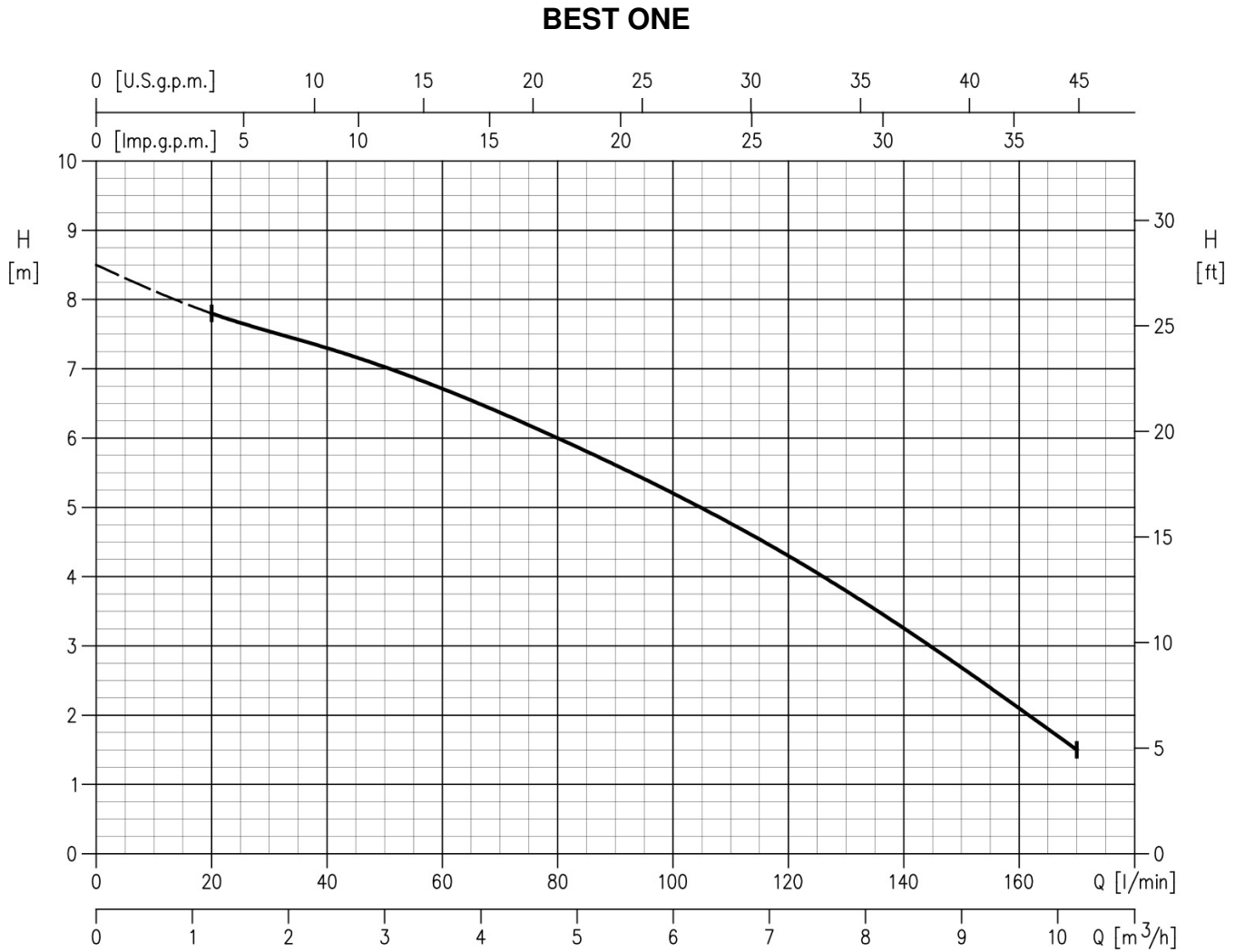
Measurements were carried out with clean water at 20 °C of temperature and with a kinematic viscosity of  $\nu = 1 \text{ mm}^2/\text{s}$  (1 cSt)

The continuous curves indicate the recommended working range. The dotted curve is only a guide.

In order to avoid the risk of over-heating, the pumps should not be used at a flow rate below 10% of best efficiency point.

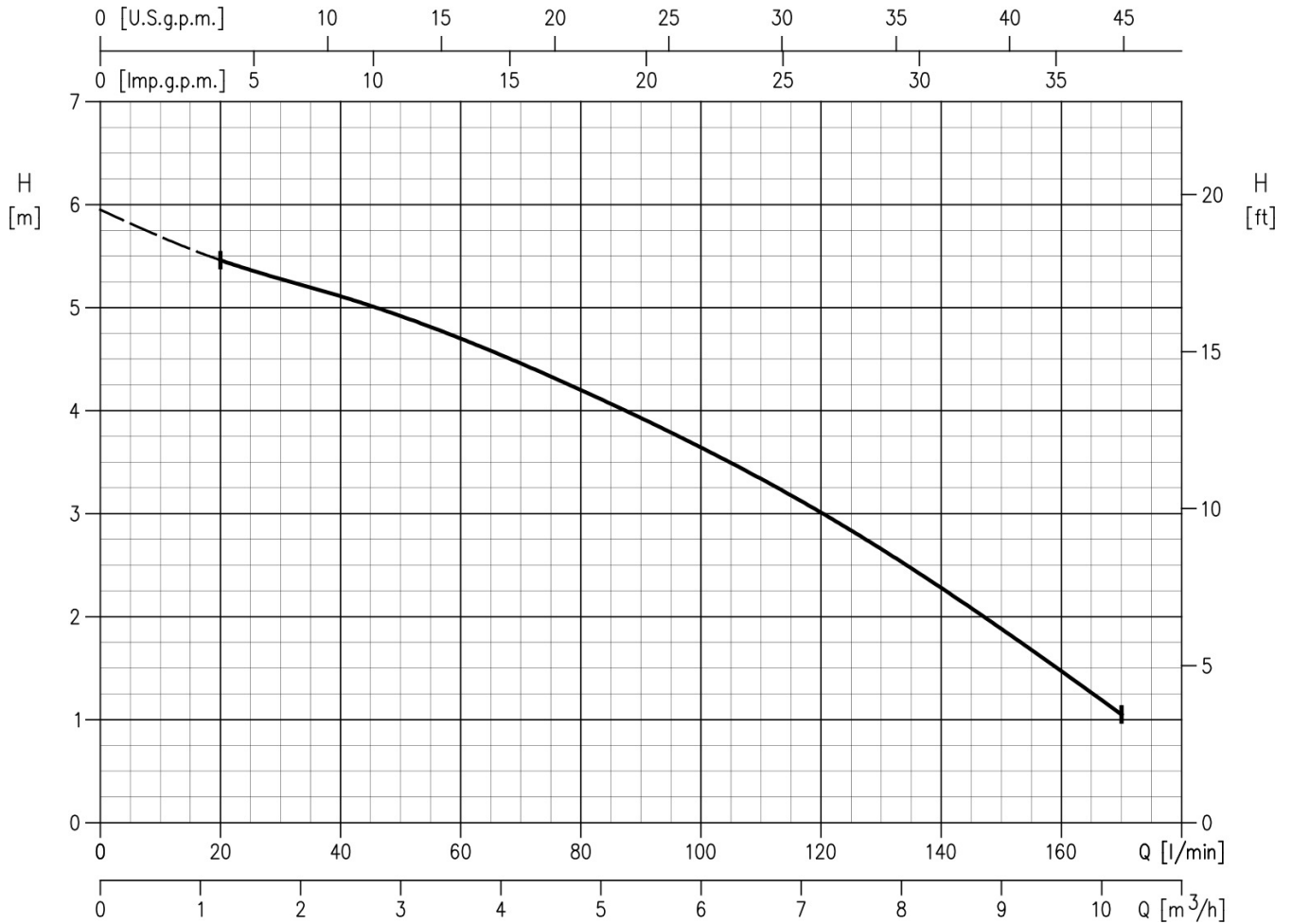
Symbols explanation:

- Q = volume flow rate
- H = total head



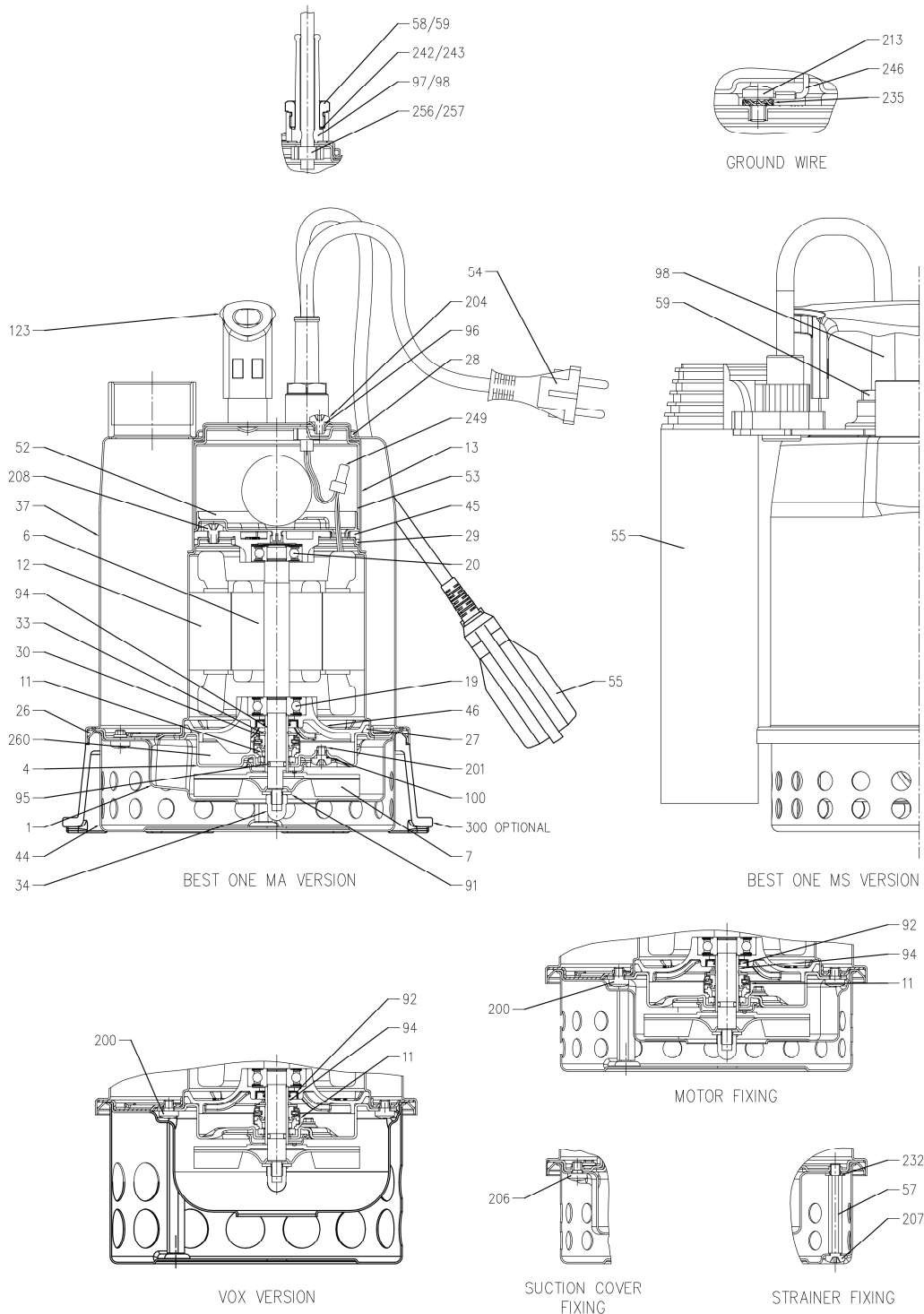
Rotation speed:  $\approx 3400 \text{min}^{-1}$   
Test standard: ISO 9006:2012 - Grade 3B

**BEST ONE VOX**



Rotation speed:  $\approx 3400\text{min}^{-1}$   
Test standard: ISO 9006:2012 - Grade 3B

**SECTIONAL VIEW**





### SECTIONAL VIEW TABLE

N°	PART NAME	MATERIAL	DIMENSIONS	STANDARD	Q.TY
1	Suction cover	EN 14301 (AISI 304)	-	-	1
4	Casing cover	EN 14301 (AISI 304)	-	-	1
6	Shaft with rotor	EN 14305 (AISI 303)	-	-	1
7	Impeller	EN 14301 (AISI 304)	-	-	1
11	Mechanical seal [1]	-	-	-	1
12	Motor frame with stator	EN 14301 (AISI 304)	-	-	1
13	Motor cover	EN 14301 (AISI 304)	-	-	1
19	Lower ball bearing	-	-	-	1
20	Upper ball bearing	-	-	-	1
21	Adjusting ring	-	-	-	1
23	Capacitor [2]	-	-	-	1
26	O-ring	NBR	159,5x3	-	1
27	O-ring	NBR	88,5x3,53	-	1
28	O-ring	NBR	75,87x2,62	-	1
29	O-ring	NBR	75,87x2,62	-	1
30	Washer	EN 14301 (AISI 304)	12x21x1	-	1
33	Seeger ring	Carbon steel TC80	12	UNI 7435	1
34	Impeller nut	A2 - 70 UNI 7323	M6	UNI 5721	1
37	Pump casing	EN 14301 (AISI 304)	-	-	1
44	Strainer	EN 14301 (AISI 304)	-	-	1
45	Upper bearing housing	EN 1706 AC-46000 D	-	-	1
46	Lower bearing housing	EN 1706 AC-46000 D	-	-	1
52	Terminal insulating base	PA6 class V-0	-	-	1
53	Terminal insulating box	PA6 class V-0	-	-	1
54	Power cable	-	-	-	1
55	Switch [3] [4]	-	-	-	1
57	Spacer	EN 14301 (AISI 304)	-	-	2
58	Power cable connector	OT 58 UNI 5705-65 Nickel-plated Brass	-	-	1
59	Switch cable connector [3]	OT 58 UNI 5705-65 Nickel-plated Brass	-	-	1
91	Washer	EN 14301 (AISI 304)	-	-	1
92	Lip seal	NBR	22x12x4	-	1
94	Shaft sleeve	EN 14305 (AISI 303) ceramic coated	-	-	1
95	O-ring	NBR	6,07x1,78	-	1
96	O-ring	NBR	4,48x1,78	-	1
97	Power cable connector	NBR	-	-	1
98	Switch cable connector [3]	NBR	-	-	1
100	O-ring	NBR	4,48x1,78	-	1
123	Handle	PP	-	-	1
200	Screw	A2 - 70 UNI 7323	M5x6	UNI 7687	4
201	Screw	A2 - 70 UNI 7323	M5x6	UNI 7687	1
204	Screw	A2 - 70 UNI 7323	M5x6	UNI 7687	1
206	Screw	A2 - 70 UNI 7323	M5x6	UNI 7687	3
207	Screw	A2 - 70 UNI 7323	M5x6	UNI 7687	2
208	Screw	A2 - 70 UNI 7323	M5x6	UNI 7687	3
213	Screw	A2 - 70 UNI 7323	M4x6	UNI 7687	1
232	Washer	PA66	5,5x10x1	-	1
235	Washer	Zincate Steel	4	UNI 8842	1
242	Washer	EN 14301 (AISI 304)	13,4x15,9x1	-	1
243	Washer [3]	EN 14301 (AISI 304)	13,4x15,9x1	-	1
246	Ground wire	-	-	-	1
249	Cap terminal	-	-	-	4
256	Strain relief	-	-	-	1
257	Strain relief [3]	-	-	-	1
260	Oil	Esso Marcol 152	-	-	40 cc
300	Minimum suction system [5]	Thermoplastic elastomer vulcanizate	-	-	-

[1] See **MECHANICAL SEAL** page 302

[2] Only for Single Phase

[3] Only for automatic version

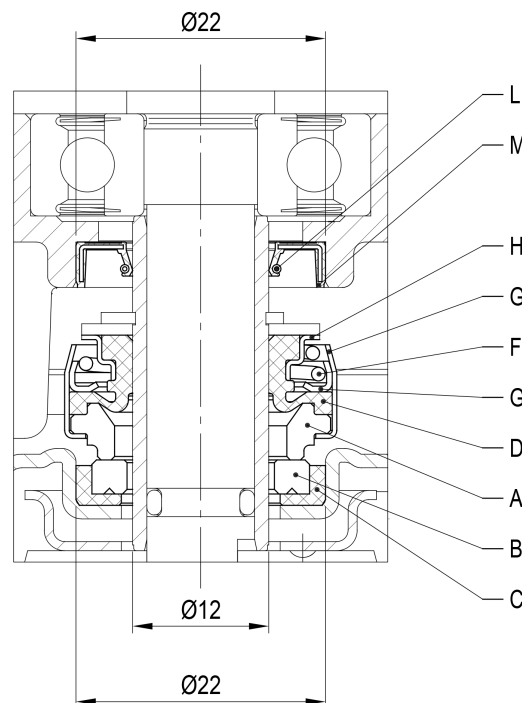
[4] Floating or magnetic switch

[5] See **OPTIONAL** page 700

**BEARINGS**

Type pumps		Ball Bearing	
Single Phase	Three Phase	Lower side	Upper side
BEST ONE M	BEST ONE	6200 ZZ C3	6000 ZZ C3

**MECHANICAL SEAL**

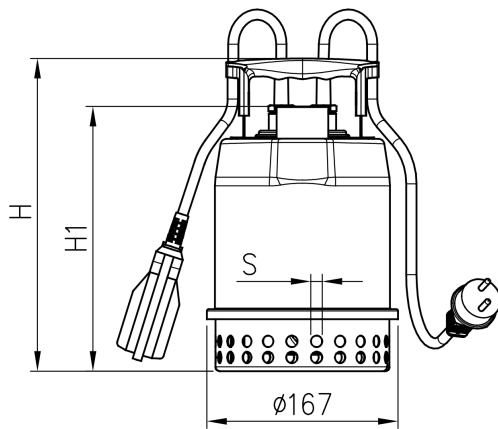


REF	PART NAME	MATERIAL	
		Standard version	Optional
A	Rotary seal ring	Carbon graphite	SiC
B	Stationary seal ring	Ceramic	SiC - Q6 (*)
C	Gasket	NBR	FPM
D	Bellows	NBR	FPM
F	Self driving spring	EN 1.4301 (AISI 304)	
G	Frame	EN 1.4301 (AISI 304)	
H	Retainer ring	EN 1.4301 (AISI 304)	
L	Spring	EN 1.4318 (AISI 302)	
M	Lip	NBR	

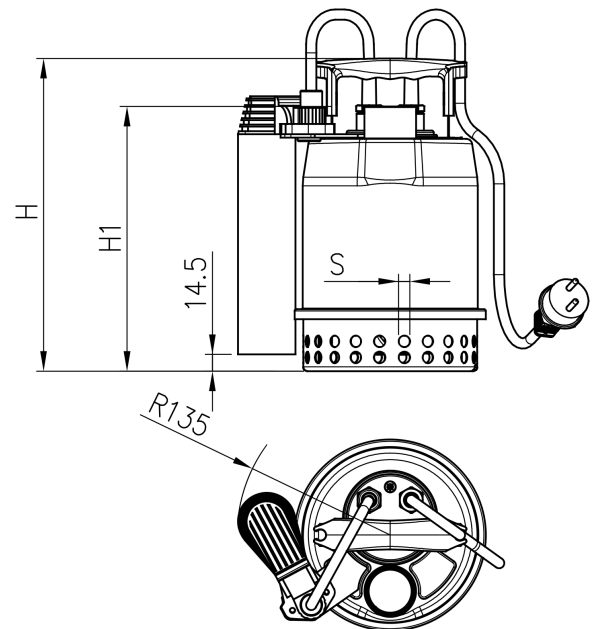
(\*) Special grade of SiC with microporosities filled with graphite

**PUMP**

**BEST ONE MA  
BEST ONE VOX MA**

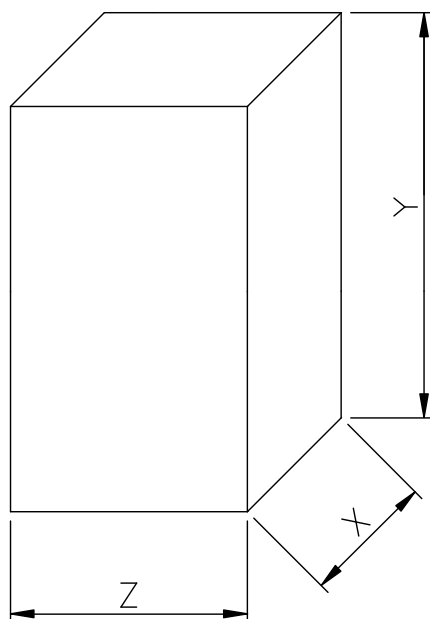


**BEST ONE MS**



Pump Type	Dimensions [mm]			Weight [kgf]
	H	H1	S	
BEST ONE	273	231	10	4,3
BEST ONE M				4,4
BEST ONE MA				4,6
BEST ONE MS				4,8
BEST ONE VOX	304	262	20	4,4
BEST ONE VOX M				4,5
BEST ONE VOX MA				4,7

PACKING



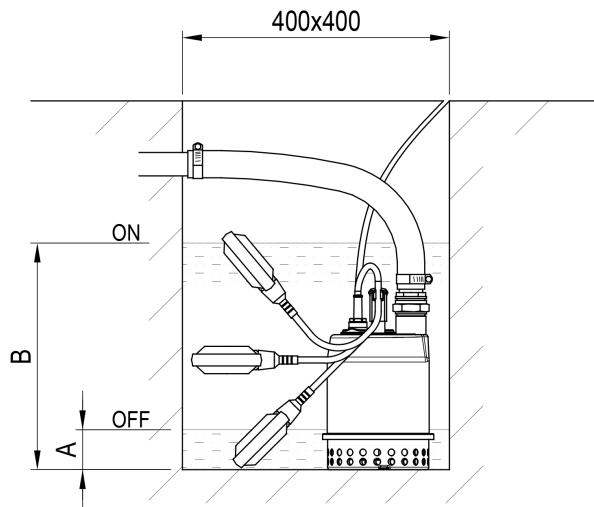
Pump Type	Dimensions [mm]			Weight [kgf]
	X	Y	Z	
BEST ONE	180	330	220	4,8
BEST ONE M				4,9
BEST ONE MA				5,1
BEST ONE MS				5,3
BEST ONE VOX				4,9
BEST ONE VOX M				5,0
BEST ONE VOX MA				5,2

### MOTOR DATA

Type pumps		Power		Capacitor				Input [kW]			Full load current [A]			Locked rotor current [A]		
Single Phase	Three Phase	[kW]	[HP]	110-115 V		220-230 V		Single Phase		Three Phase	Single Phase		Three Phase	Single Phase		Three Phase
				[μF]	[V]	[μF]	[V]	110-115 V	220-230 V	380 V	110-115 V	220-230 V	380 V	110-115 V	220-230 V	380 V
BEST ONE M	BEST ONE	0.25	0.33	20	250	6.3	450	0.51	0.53	0.43	4.8	2.4	0.7	13.8	6.8	2.9
BEST ONE VOX M	BEST ONEVOX							0.43	0.47	0.38	4.2	2.2	0.7	10.7	6.2	2.1

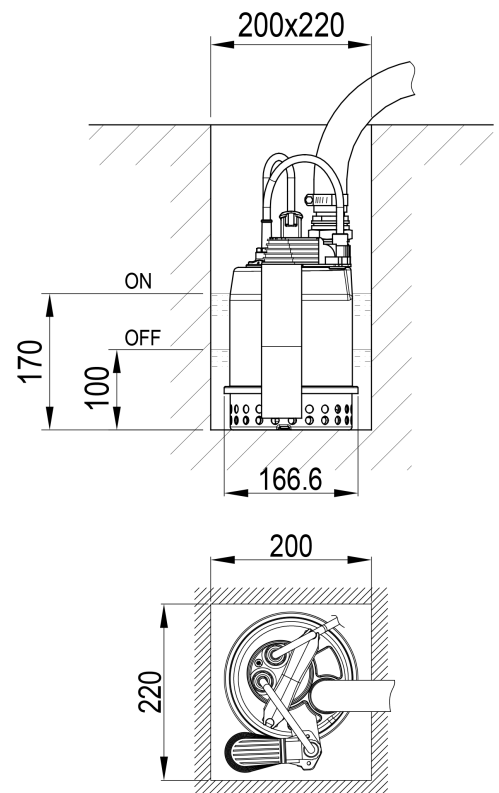
**INSTALLATION**

**BEST ONE MA  
BEST ONE VOX MA**

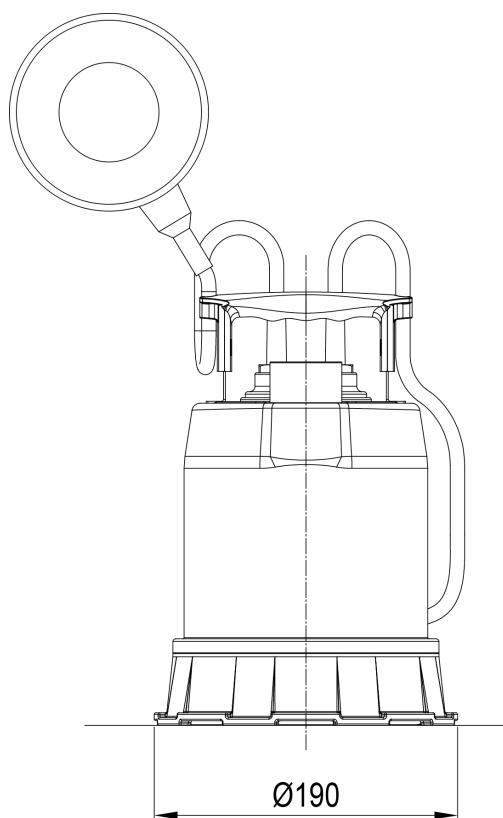


Pump Type	A	B
BEST ONE MA	110	305
BEST ONE VOX MA		330

**BEST ONE MS**



**MINIMUM SUCTION SYSTEM**



LEVEL	
Minimum starting suction level	10 mm
Minimum suction level capability	3 mm

Type pumps	COMPATIBILITY			
	Version			
	1~			3~
	M	MA	MS	
BEST ONE	✓	✓	✗	✓
BEST ONE VOX	✗	✗	✗	✗